

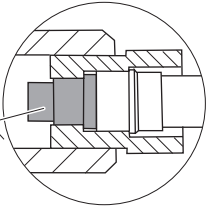
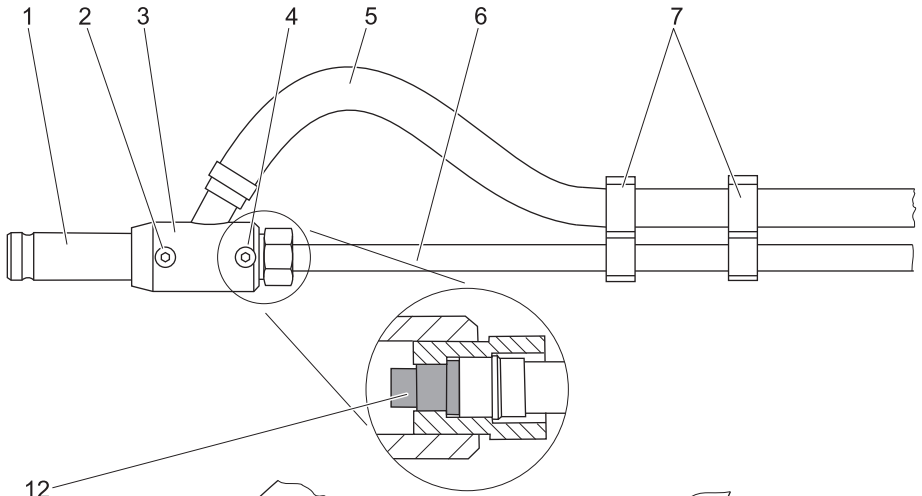
4.762-010.0
4.762-022.0



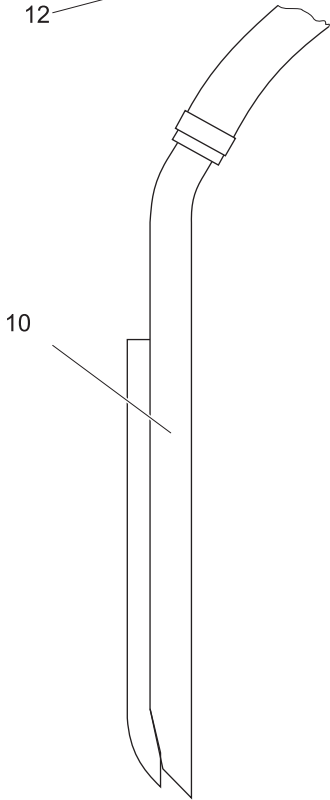
Deutsch	3
English	7
Français	11
Italiano	15
Nederlands	19
Español	23
Português	27
Dansk	31
Norsk	34
Svenska	37
Suomi	41
Ελληνικά	45
Türkçe	49
Русский	53
Magyar	58
Čeština	62
Slovenščina	66
Polski	70
Românește	74
Slovenčina	78
Hrvatski	82
Srpski	86
Български	90
Eesti	94
Latviešu	98
Lietuviškai	102
Українська	106

Register and win!
www.kaercher.com

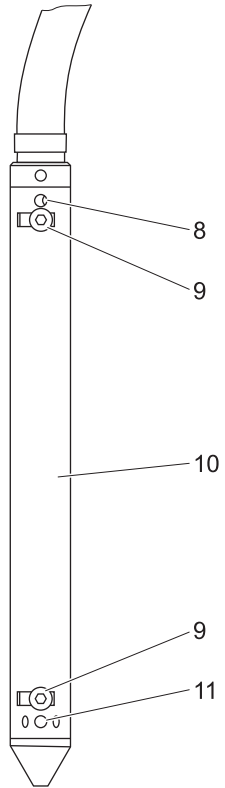




12



4.762-022.0



4.762-010.0

Wet jet appliance



Please read and comply with these original instructions prior to the initial operation of your appliance and store them for later use or subsequent owners.

Follow the safety instructions in the operating instructions of the high pressure cleaner manufacturer!

Environmental protection



The packaging material can be recycled. Please do not throw the packaging material into household waste; please send it for recycling.



Old appliances contain valuable materials that can be recycled; these should be sent for recycling. Batteries, oil, and similar substances must not enter the environment. Please dispose of your old appliances using appropriate collection systems.

Notes about the ingredients (REACH)

You will find current information about the ingredients at:

www.kaercher.com/REACH

Control elements

Illustrations on the inside of the front cover

- 1 Stream nozzle
- 2 Spray nozzle clamping screw
- 3 Nozzle holder
- 4 Nozzle holder clamping screw
- 5 Hose for spraying agent
- 6 Spray lance of high pressure cleaner
- 7 Clamp
- 8 Air bore
- 9 Screw
- 10 Suction pipe
- 11 Spraying agent bore
- 12 Spray nozzle

Proper use

The wet jet appliance is intended to be installed on the spray lance of a high pressure cleaner. The water jet of the high pressure cleaner suction sprays the agent, which is pulled along in the water jet.

Application examples:

- Rust removal
- Descaling
- Polish welding seams
- Paint removal

Suitable spraying agents (grain size 0.2...2 mm):

- Melted coal slag
- Spray gravel
- Corundum

Safety instructions

- Please read the operating instructions for your machine before using it, and pay particular attention to the following safety instructions.
- Apart from the notes contained herein the general safety provisions and rules for the prevention of accidents of the legislator must be observed.
- Maintenance work may only be carried out by approved customer service outlets or experts in this field who are familiar with the respective safety regulations.
- Switch off the high pressure cleaner and, in case of appliances connected to the mains, pull out the power cord before cleaning and performing any maintenance tasks on the machine.
- Only use accessories and spare parts which have been approved by the manufacturer. The exclusive use of original accessories and original spare parts ensures that the appliance can be operated safely and troublefree.
- The machine with working equipment must be checked to ensure that it is in

proper working order and is operating safely prior to use. Otherwise, the appliance must not be used.

- If the appliance is used in hazardous areas (e.g. filling stations) the corresponding safety provisions must be observed. It is not allowed to use the appliance in hazardous locations.
- All current-conducting parts in the working area must be protected against jet water.
- The lever of the hand spray gun must not be locked during the operation.
- Wear appropriate protective clothing to protect yourself from spattering parts.
- Never direct the water jet on human beings, animals, the appliance or electrical parts.
- Do not clean materials containing asbestos or other health-hazardous substances.
- The alternate or simultaneous spraying of light metals and iron-containing parts in a spray room is prohibited, unless the cleaning of the spray room is ensured prior to each change (fire and explosion risk).
- You must not use spray agents containing iron to spray magnesium alloy containing more than 80% magnesium.
- It is prohibited to use silicone spraying agents.
- Do not use any spraying agents that exceed the permissible limits of hazardous substances according to the applicable required specifications.

Please follow the national/ local regulations for the following topics while working in containers or in closed rooms:

- Working in containers and closed rooms
- Use of personal emergency signal units

Wear the following protective equipment while spraying:

- Eye and face protection
- Hearing protection
- Impact protection covering the body and shoulders

- Protective gloves
- Safety shoes
- respirator if necessary

Safety and hygiene regulations according to the national/ local regulations need to be followed.

- The operator must use the appliance properly. The operator must consider the local conditions and must pay attention to third parties, in particular children, when working with the appliance.
- The appliance may only be used by persons who have been instructed in handling the appliance or have proven qualification and expertise in operating the appliance or have been explicitly assigned the task of handling the appliance. The appliance must not be operated by children, young persons or persons who have not been instructed accordingly.
- Never leave the machine unattended so long as it is under pressure.
- Do not touch the emerging spray jet.

Symbols in the operating instructions

Danger

Immediate danger that can cause severe injury or even death.

Warning

Possible hazardous situation that could lead to severe injury or even death.

Caution

Possible hazardous situation that could lead to mild injury to persons or damage to property.

Before Startup

In addition to the wet jet appliance, you will need a nozzle package. The nozzle package must be adjusted to the high pressure cleaner used.

Nozzles packet	
Nozzle size	Order No.
35	2.638-526.0
40	2.637-900.0
45	2.637-901.0
50	2.637-902.0
55	2.637-903.0
60	2.637-904.0
65	2.637-905.0
70	2.637-906.0
75	2.637-907.0
80	2.637-908.0
100	2.637-910.0
Boron carbide nozzles (low wear)	
up to 1,000 l/h	6.415-084.0
from 1,000 l/h	6.415-083.0

Start up

- Unscrew the nozzle from the spray pipe of the high pressure cleaner.
- Install the nozzle holder of the wet jet appliance on the spray lance with the spray nozzle installed.
- Screw the nozzle holder tightly onto the spray lance.
- Loosen the clamping screw of the nozzle holder.
- Rotate the nozzle holder until the spraying agent hose is pointing toward the top.
- Tighten the clamping screw of the nozzle holder.

Caution

Increased risk of damage when using a boron carbide spray nozzle. Boron carbide spray nozzles are sensitive to impact. Do not use a hammer for the installation or removal. Do not overtighten the clamping screw of the spray nozzle.

- Insert the spray nozzle into the nozzle holder.
- Tighten the spray nozzle clamping screw.
- Fasten the spraying agent hose to the spray lance using clamps. Do not stretch or kink the hose.
- Insert the suction pipe into the spraying agent container or the spraying agent bag.

Note:

Keep the spraying agent dry. Wet spraying agent will cause malfunctions.

Operations

- Start up the high pressure cleaner.
- Press the lever on the hand spray gun.
- Perform the spraying task.

Note:

Dispose of the used spraying agent according to the local provisions.

Adjust the spraying agent volume (for 4.762-010.0 only)

The volume of the suctioned spraying agent is adjusted on the air bore and the spraying agent bore.

Increase the spraying agent volume.

- Open the spraying agent bore.
- Close the air bore.

Decrease spraying agent volume

- Close the spraying agent bore.
- Open the air bore.

Standard setting

Spraying agent grit	Spraying agent bore	Air bore
8	3/4 open	1/2 open
9	1/2 open	3/4...1 open

Maintenance and care

⚠ Warning

Risk of injury. First pull out the plug from the mains before carrying out any tasks on the high pressure cleaner.

- Rotate the spray nozzle by 90° at regular intervals to achieve an even wear.
- Replace the spray nozzle.

Accessories

	Order No.
Spraying agent, fine, 0.2...0.8 mm, 25 kg	6.295-564.0
Spraying agent, coarse, 0.25..0.1.4 mm	6.295-565.0

Specifications

Spraying agent use	kg/h	18...220
--------------------	------	----------

- AE** Kärcher FZE, P.O. Box 17416, Jebel Ali Free Zone (South), Dubai, United Arab Emirates,
☎+971 4 886-1177, www.kaercher.com
- AR** Kärcher S.A., Uruguay 2887 (1646) San Fernando, Pcia. de Buenos Aires
☎+54-11 4506 3343, www.kärcher.com.ar
- AT** Alfred Kärcher Ges.m.b.H., Lichtblaustraße 7, 1220 Wien,
☎+43-1-25060-0, www.kaercher.at
- AU** Kärcher Pty. Ltd., 40 Koornang Road, Scoresby VIC 3179, Victoria,
☎+61-3-9765-2300, www.kärcher.com.au
- BE** Kärcher N.V., Industrieweg 12, 2320 Hoogstraten,
☎+32-3-340 07 11, www.kärcher.be
- BR** Kärcher Indústria e Comércio Ltda., Av. Professor Benedito Montenegro no 419, Betel, Paulínia - Estado de Sao Paulo, CEP 13.140-000
☎+55-19-3884-9100, www.kärcher.com.br
- CA** Kärcher Canada Inc., 6535 Millcreek Road, Unit 67, Mississauga, ON, L5N 2M2,
☎+1-905-672-8233, www.kärcher.ca
- CH** Kärcher AG, Industriestrasse, 8108 Dällikon, Kärcher SA, Croix du Péage, 1029 Villars-Ste-Croix,
☎0844 850 864, www.kaercher.ch
- CN** Kärcher (Shanghai) Cleaning Systems, Co., Ltd., Part F, 2nd Floor, Building 17, No. 33, XI YA Road, Waigaoqiao Free Trade, Pudong, Shanghai, 200131
☎+86-21 5076 8018, www.kärcher.cn
- CZ** Kärcher spol. s r.o., Modletice c.p. 141, CZ-251 01 Ricany,
☎+420/323/606 014, www.kaercher.cz
- DE** Alfred Kärcher Vertriebs-GmbH, Friedrich-List-Straße 4, 71364 Winnenden,
☎+49-7195/903-0, www.kaercher.de
- DK** Kärcher Rengøringsystemer A/S, Helge Nielsens Alle 7A, 8723 Løsning,
☎+45-70206667, www.kärcher.dk
- ES** Kärcher, S.A., Pol. Industrial Font del Radium, Calle Josep Trueta, 6-7, 08403 Granollers (Barcelona),
☎+34-902 17 00 68, www.kärcher.es
- F** Kärcher S.A.S., Z.A. des Petits Carreaux, 5, avenue des Coquelicots, 94865 Bonneuil-sur-Marne,
☎+33-1-4399-6770, www.kärcher.fr
- FI** Kärcher OY, Yrittäjätie 17, 01800 Klaukka,
☎+358-207 413 600, www.kärcher.fi
- GB** Kärcher (U.K.) Ltd., Kärcher House, Beaumont Road, Banbury, Oxon OX16 1TB,
☎+44-1295-752-000, www.kärcher.co.uk
- GR** Kärcher Cleaning Systems A.E., 31-33, Nikitara str. & Konstantinoupoleos str., 136 71 Athènes,
☎+30-210-2316-153, www.kärcher.gr
- HK** Kärcher Limited, Unit 10, 17/F., Apec Plaza, 49 Hoi Yuen Road, Kwun Tong, Kowloon,
☎++(852)-2357-5863, www.kärcher.com.hk
- HU** Kärcher Hungaria KFT, Tormásrét út 2., (Vendelpark), 2051 Biatorbagy,
☎+36-23-530-64-0, www.kaercher.hu
- I** Kärcher S.p.A., Via A. Vespucci 19, 21013 Gallarate (VA),
☎+39-848-998877, www.kärcher.it
- IE** Kärcher Limited (Ireland), 12 Willow Business Park, Nangor Road, Dublin 12,
☎(01) 409 7777, www.kaercher.ie
- JP** Kärcher (Japan) Co., Ltd., Irene Kärcher Building, No. 2, Matsusaka-Daira 3-chome, Taiwa-cho, Kurokawa-gun, Miyagi 981-3408,
☎+81-22-344-3140, www.kärcher.co.jp
- KR** Kärcher (Korea) Co. Ltd., 162 Gukhoe-daero, (872-2 Sinjeong-Dong), Seoul, Korea
☎02-322 6588, A/S. 1544-6577, www.kärcher.co.kr
- MX** Kärcher México, SA de CV, Av. Gustavo Baz No. 29-C, Col. Naucalpan Centro, Naucalpan, Edo. de México, C.P. 53000 México,
☎+52-55-5357-04-28, www.kärcher.com.mx
- MY** Kärcher Cleaning Systems Sdn. Bhd., 71 & 73 Jalan TPK 2/8, Taman Perindustrian Kinrara, Seksyen 2, 47100 Puchong, Selangor Darul Ehsan, Malaysia,
☎+603 8073 3000, www.kärcher.com.my
- NL** Kärcher B.V., Postbus 474, 4870 AL Etten-Leur,
☎0900-33 666 33, www.kärcher.nl
- NO** Kärcher AS, Stanseveien 31, 0976 Oslo, Norway,
☎+47 815 20 600, www.kärcher.no
- NZ** Kärcher Limited, 12 Ron Driver Place, East Tamaki, Auckland, New Zealand,
☎+64 (9) 274-4603, www.kärcher.co.nz
- PL** Kärcher Sp. z o.o., Ul. Stawowa 140, 31-346 Kraków,
☎+48-12-6397-222, www.kärcher.pl
- RO** Kärcher Romania srl, Sos. Odaii 439, Sector 1, RO-013606 BUKAREST,
☎+40 37 20790001, www.kaercher.ro
- RU** Kärcher Ltd. Service Center, Leningradsky avenue, 68, Building 2, Moscow, 125315
☎+7-495 789 90 76, www.kärcher.ru
- SE** Kärcher AB, Tagenevägen 31, 42502 Hisings-Kärra,
☎+46 (0)31-577 300, www.kärcher.se
- SGP** Kärcher South East Asia Pte. Ltd., 5 Toh Guan Road East, #01-00 Freight Links Express Distripark, Singapore 608831,
☎+65-6897-1811, www.kärcher.com.sg
- SK** Kärcher Slovakia, s.r.o., Beniaková 2, SK-94901 NITRA,
☎+421 37 6555 798, www.kaercher.sk
- TR** Kärcher Servis Ticaret A.S., 9 Eylül Mahallesi, 307 Sokak No. 6, Gazimir / Izmir,
☎+90-232-252-0708, +90-232-251-3578, www.kärcher.com.tr
- TW** Kärcher Limited, 7/F, No. 66, Jhongjijheng Rd., Sinjhuang City, Taipei County 24243, Taiwan,
☎+886-2-2991-5533, +886-800-666-825, www.kärcher.com.tw
- UA** Kärcher TOV, Kilzeva doroga, 9, 03191 Kiew,
☎+380 44 594 7576, www.kärcher.com.ua
- USA** To locate your local dealer please visit our web site at <http://www.kärchercommercial.com> or call us at 888.805.9852
- ZA** Kärcher (Pty) Ltd., 144 Kuschke Street, Meadowdale, Edenvale, 1614,
☎+27-11-574-5360, www.kärcher.co.za