

## **Spare parts list**

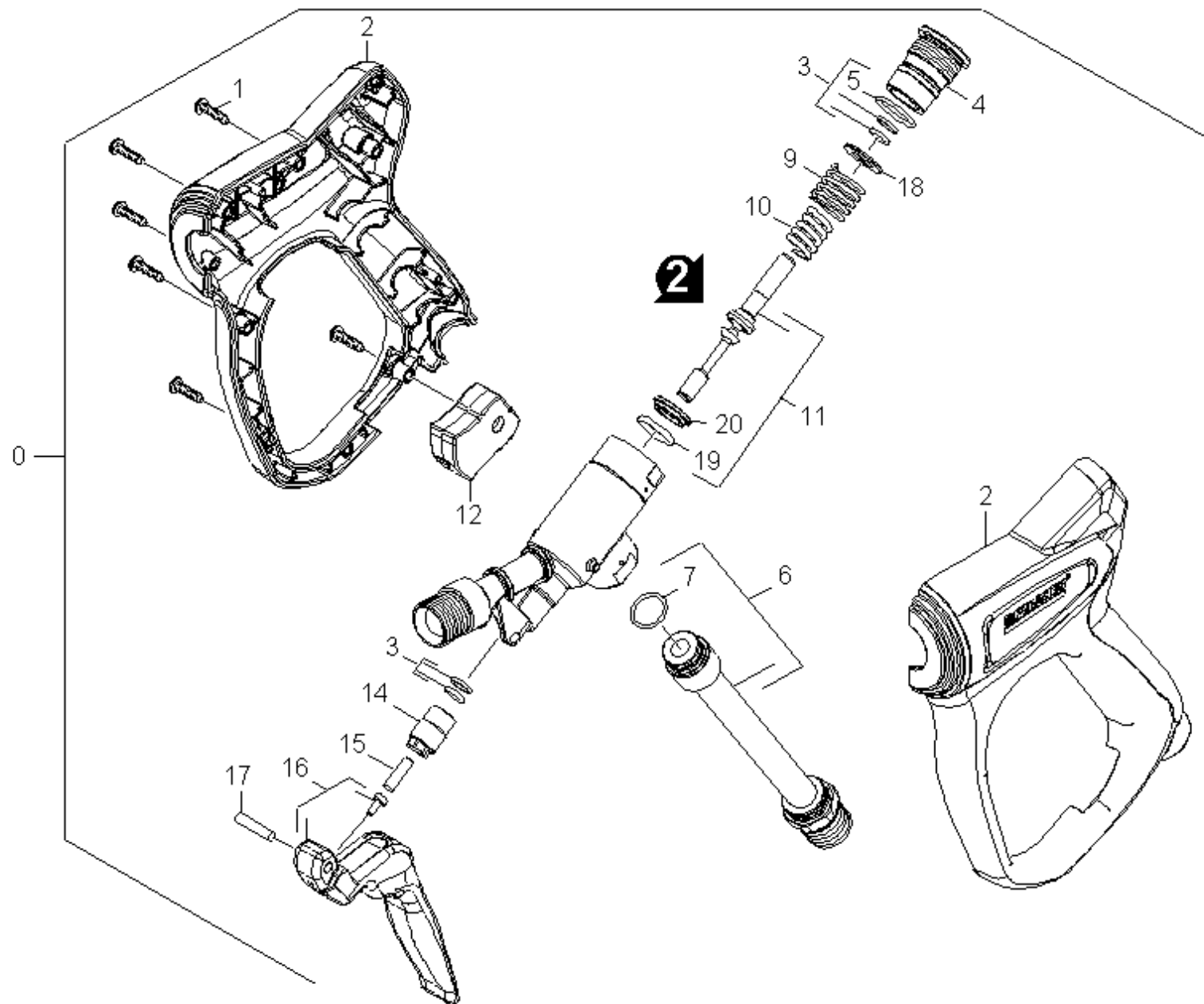
Hand trigger gun

Table of contents

---

Order instructions	2
42 Hand trigger gun	6

---



## 42 Hand trigger gun

POS	Article no.	Description	Quantity	Unit
0	4.775-823.0	Hand trigger gun only for replacement	1.000	ST
	<b>Item text1:</b> 1.367-131.0			
1	7.303-129.0	Screw 4x16 -10.9-R2R (K-In6Rd)	9.000	ST
2	5.322-045.0	Handhold few 30MPa 2500l/h	1.000	ST
3	2.885-211.0	Spare part set seal 30MPa	1.000	ST
4	5.411-528.0	Screw plug 30MPa	1.000	ST
5	6.362-062.0	O-Ring seal 18 x 1,5 - FKM 80	1.000	ST
6	2.885-216.0	Spare part set adapter 65MPa	1.000	ST
7	6.363-069.0	O-Ring d. 15x1,5 NBR 90	1.000	ST
9	5.332-046.0	Helical spring	1.000	ST
10	5.332-977.0	Spring	1.000	ST
11	2.885-210.0	Spare part set piston 30MPa	1.000	ST
12	5.424-145.0	Trigger safety latch yellow	1.000	ST
14	5.401-329.0	Screw connector 30MPa	1.000	ST
15	5.317-403.0	Pin	1.000	ST
16	2.885-212.0	Spare part set lever yellow	1.000	ST
17	7.314-042.0	Straight pin 5m6x26 - A1 ISO 2338	1.000	ST
18	5.114-571.0	Supportring 30MPa	1.000	ST
19	6.362-174.0	O-Ring seal 16,0 X 2,0-NBR 70	1.000	ST
20	5.363-767.0	Sealing insert 30MPa	1.000	ST