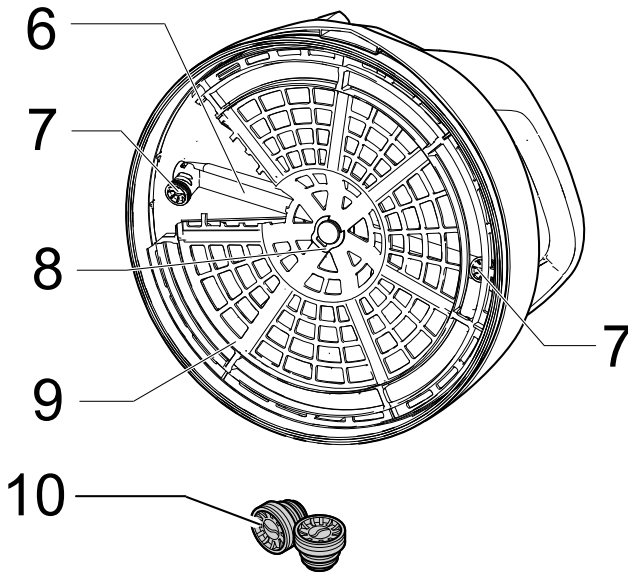
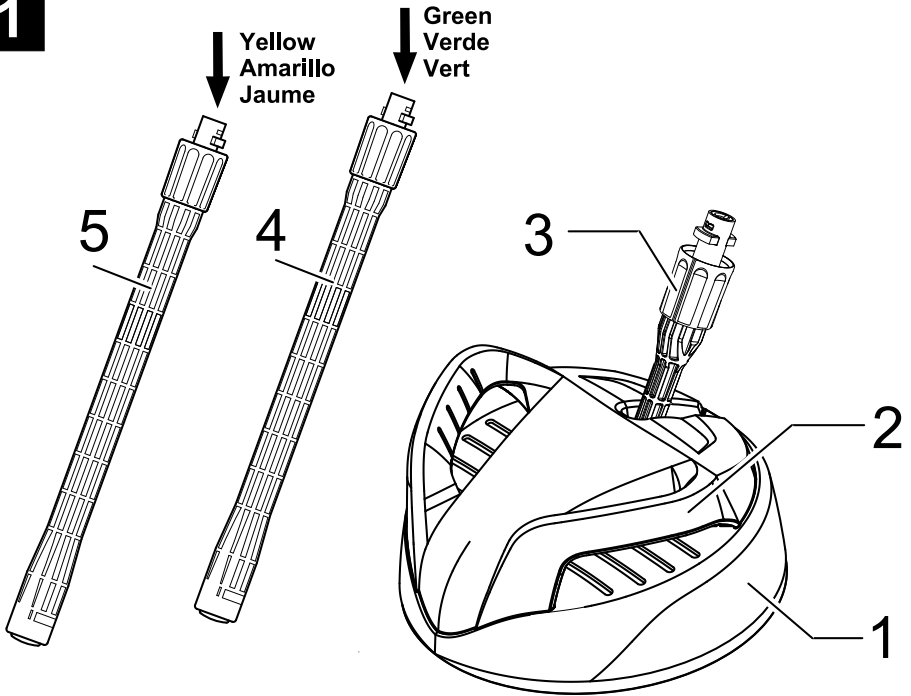
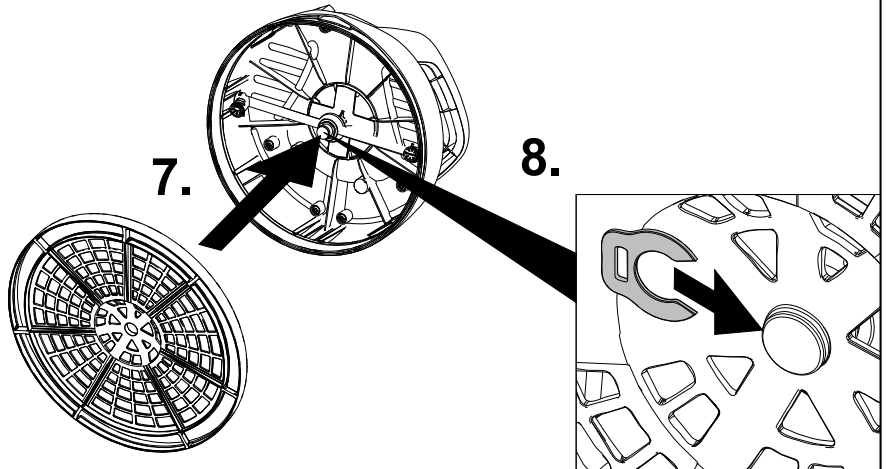
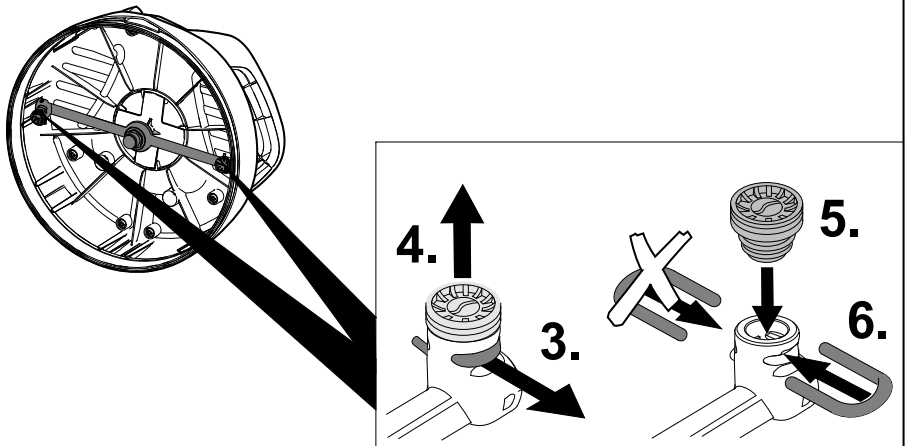
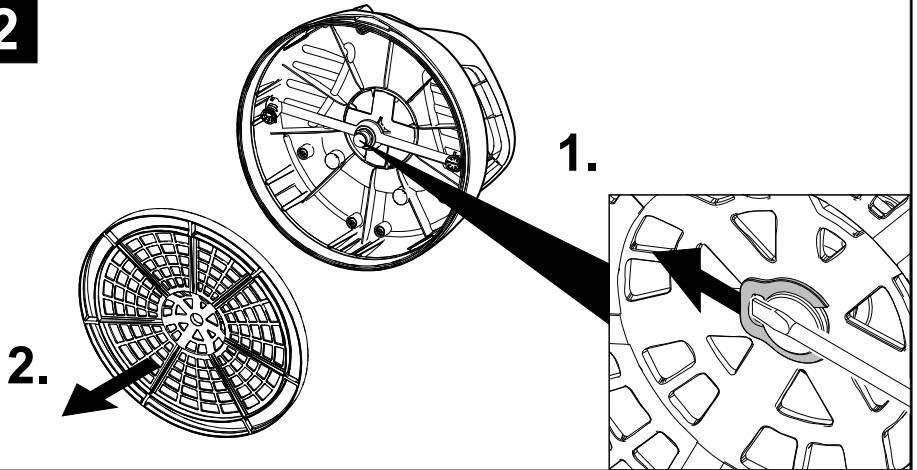


English	5
Español	8
Français	11

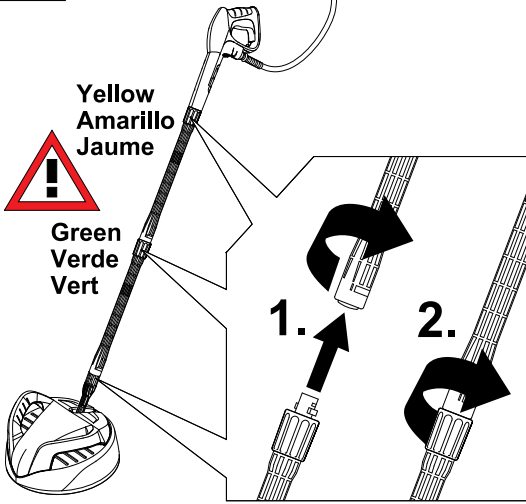
1



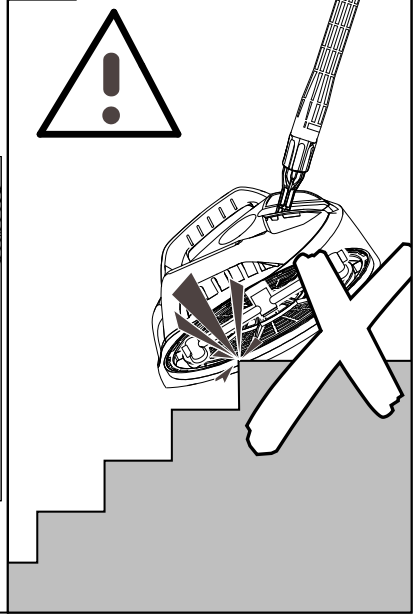
2



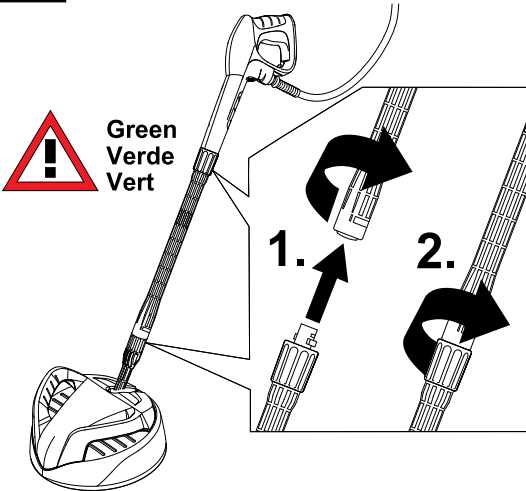
3



4



5



Safety instructions

WARNING

When using this product basic precautions should always be followed, including the following:

- Read all the instructions before using the product.
- **Please observe the safety instructions of your pressure washer.**
- The T-Racer must not be used by children.
- Only trigger the gun of the pressure washer if the T-Racer is located on the surface to be cleaned.
- Keep all persons/animals clear of the immediate vicinity of the cleaning head.
- Beware of the recoil force! Ensure a stable position and firmly hold the trigger gun with the extension handle.
- Turn off the pressure washer when examining or changing the T-Racer and after the completion of the cleaning operation.
- Maximum water temperature allowed is 140 °F (60°C). Please follow the instructions of your pressure washer.

Caution

- Do not use on windows.
- The T-Racer is not suited for scouring or scrubbing.
- Do not run over freestanding corners.
- Always test the T-Racer in an inconspicuous area.
- Never operate in the same area for more than 2 seconds, damage may occur.

SAVE THESE INSTRUCTIONS!

Preparing the Appliance

Description of the Appliance

When unpacking the product, make sure that no accessories are missing and that none of the package contents have been damaged. If you detect any transport damages please contact your retailer.

See page 2, illustration 1

- 1 Housing
- 2 Handle
- 3 Bayonet connection with union nut
- 4 Lower wand
- 5 Upper wand
- 6 Rotating nozzle holder
- 7 Yellow nozzles (2 pieces)
- 8 Safety clip
- 9 Protective grid
- 10 Grey nozzles (2 pieces)

Intended use

The T-Racer can be used with all Kärcher pressure washers with bayonet guns from the model year 1992 up to 1850 psi and Kärcher gasoline pressure washers up to 2000 psi.

Use on *horizontal surfaces* like driveways, patios, side walks, etc.

Use on *vertical surfaces* like brick walls, hardiplank, stucco and other siding.

The T-Racer has not been designed for commercial use.

Symbols on the appliance



Danger!

Keep hands away from moving parts.

Preparing the Appliance

Selection of the nozzles

You need to use the matching nozzles to ensure that your pressure washer works properly.

For pressure washers with a pressure from 1700 psi to 2000 psi

→ Use yellow nozzles.

Note: The yellow nozzles are pre-mounted.

For pressure washers with a pressure from 1400 psi to 1650 psi

→ Use grey nozzles.

Note: To ensure a trouble free operation of your pressure washer, you must replace the two yellow nozzles with the grey nozzles.

Replacement of nozzles

Illustrations on fold-out page!



→ Illustration 2

- 1 Loosen the safety clip with a screwdriver.
- 2 Remove the protective grid.
- 3 Remove the clip.
- 4 Pull out the yellow nozzle.
- 5 Insert the grey nozzle.
- 6 Re-insert the clip.
- 7 Mount the protective grid on the pin.
- 8 Push the safety clip back, until it locks.

Application

Note: Always use Kärcher water filter (order no. 4.730-059.0) during suction operations of the pressure washer.

Cleaning horizontal surfaces

Note: Outdoor surfaces should be swept before the T-Racer is used to avoid damaging the nozzles.

Connect the T-Racer and both wands with the trigger gun.

Illustration 3

→ Connect lower wand with T-Racer.

- 1 Press the bayonett connection into the bayonet catch, then turn by 90° until it locks into place.

- 2 Tighten the union nut.

→ Connect upper wand with lower wand.

- 1 Press the bayonett connection into the bayonet catch, then turn by 90° until it locks into place.

- 2 Tighten the union nut.

→ Connect trigger gun with upper wand.

- 1 Press the bayonett connection into the bayonet catch, then turn by 90° until it locks into place.

- 2 Tighten the union nut.

Illustration 4

⚠ Caution

Do not run over freestanding corners.

Cleaning vertical surfaces

Connect the T-Racer and the lower wand with the trigger gun.

Illustration 5

- Connect lower wand with T-Racer.
- 1 Press the bayonett connection into the bayonet catch, then turn by 90° until it locks into place.
 - 2 Tighten the union nut.
- Connect trigger gun with lower wand.
- 1 Press the bayonett connection into the bayonet catch, then turn by 90° until it locks into place.
 - 2 Tighten the union nut.

Caution

- *Always hold the T-Racer at the hand grip while cleaning the walls.*
- *Do not reach under the edge of the T-Racer while the device is in operation.*

Troubleshooting

Pressure washer does not build up the pressure or is vibrating.

- Dismantle the nozzles, check the nozzles for damage, rinse the T-Racer with clean water then reinstall the nozzles.

General notes

Tip

You can use the upper wand with any other Kärcher accessory.

Maintenance and care

Maintenance

The unit is maintenance-free.

Care

Use a moist cloth and clean the appliance after use.

Customer Support USA and Canada

In the U.S. or Canada, please call **1-800-537-4129** for warranty issues and visit **www.karcher-help.com** for technical support and product assistance.

Customer Support Mexico

Call: **01-800-024-13-13** for help or visit our website: **www.karcher.com.mx**