

**Ersatzteilliste  
Spare Parts List  
Liste des pièces de rechange**

# **K 2000 GM**

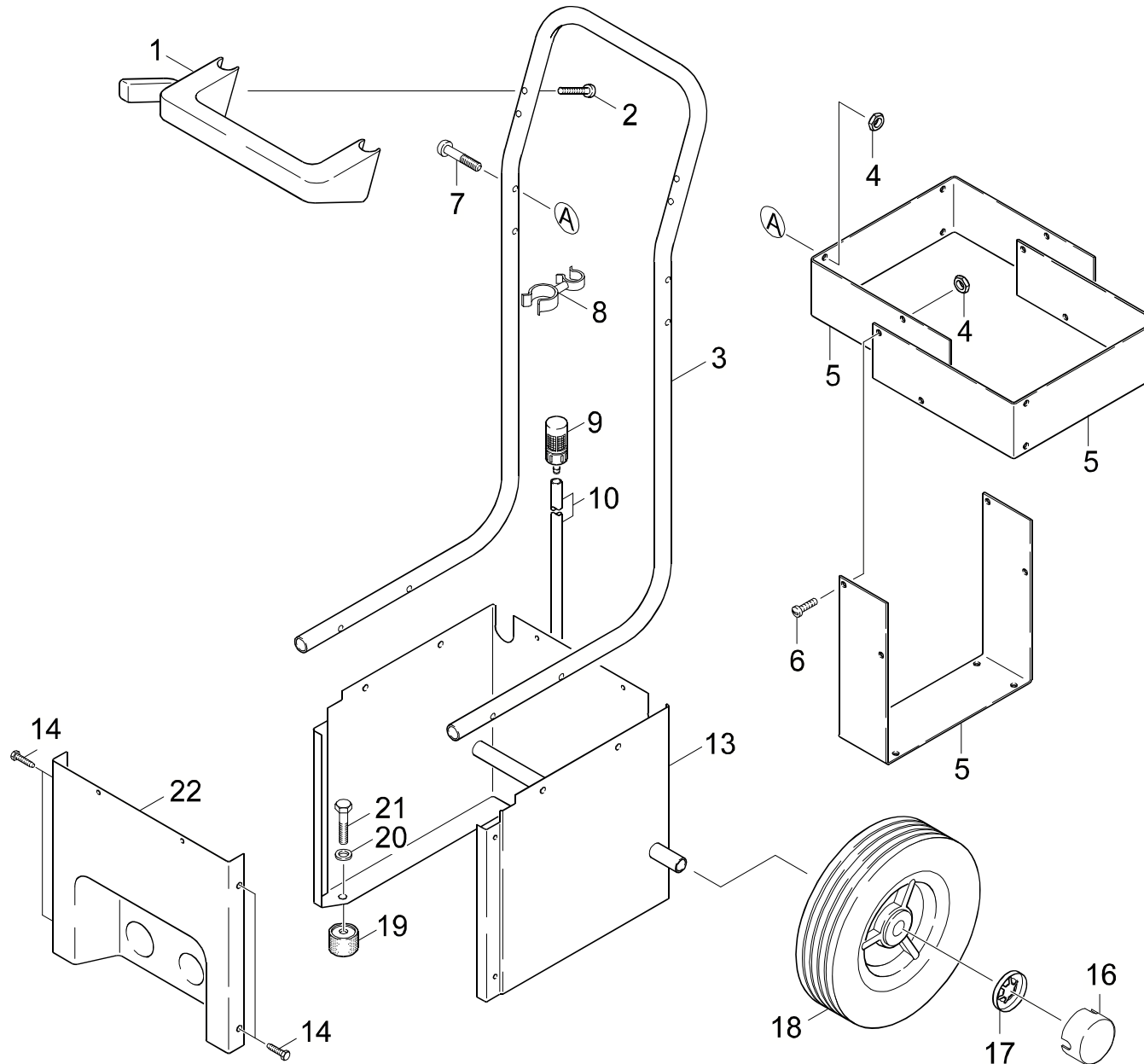
1.050-920.0 K 2000 GM

GRUPPE: 1.0 EINZELTEILE  
GROUP: 1.0 PIECE PARTS  
GRUPPE: 1.0 PIECES CONSTITUANTES

**A1**

**K 2000 GM**

**GRUPPE: 1.0 EINZELTEILE**  
**GROUP: 1.0 PIECE PARTS**  
**GRUPPE: 1.0 PIECES CONSTITUANTES**



Symbolbeschreibung siehe M16 / symbol description see M16 / désignation de système voir M16 /

GRUPPE: 1.0 EINZELTEILE  
GROUP: 1.0 PIECE PARTS  
GROUPE: 1.0 PIECES CONSTITUANTES

C1

K 2000 GM

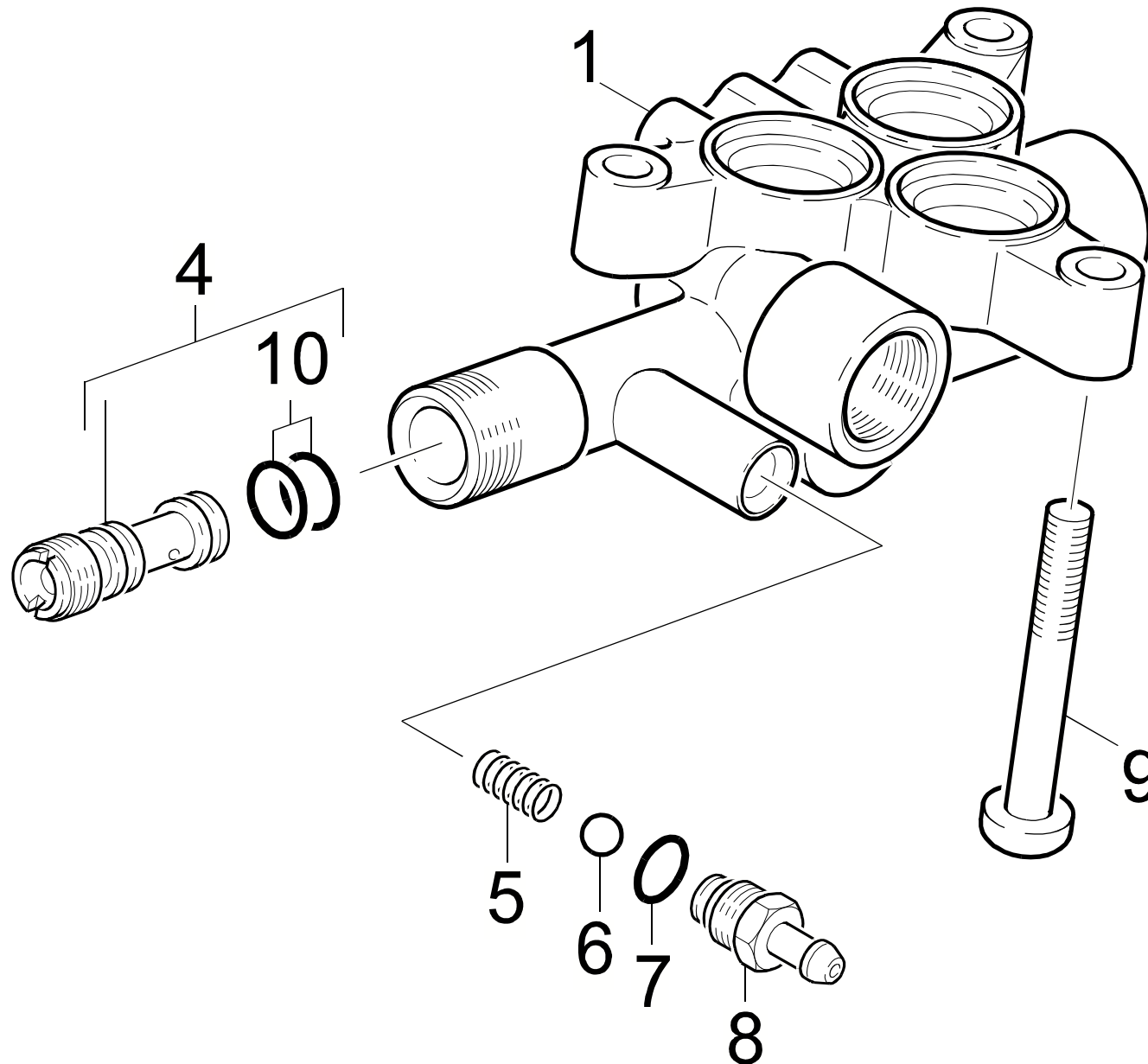
| POS.<br>ITM.<br>POS. | BENNENUNG<br>DESCRIPTION<br>DESIGNATION  | TEILE-NR.<br>PART-NO.<br>NO.PIECE | STCK<br>QTY.<br>NBR. |
|----------------------|--|-----------------------------------|----------------------|
| 1                    | HALTER / BRACKET / FIXATION  | 5.042-215.0                       | 1                    |
| 2                    | BL.SCHR. ST4,8X32,0 / SHEET METAL SCREW / VIS A TOLE   | 7.303-374.0                       | 2                    |
| 3                    | GRIFF / HANDLE / POIGNEE   | 5.321-503.0                       | 1                    |
| 4                    | 6KT-MUTTER 8-32 / HEXAGON NUT / ECROU HEXAGONAL  | 6.311-011.0                       | 8                    |
| 5                    | BLECHTEIL / PLATE / TOLE   | 5.046-570.0                       | 3                    |
| 6                    | LINSENSCHRAUBE / OVAL HEAD SCREW / VIS A TETE<br>BOMBEE                                      | 6.304-096.0                       | 4                    |
| 7                    | LINSENSCHRAUBE / OVAL HEAD SCREW / VIS A TETE<br>BOMBEE                                      | 6.304-095.0                       | 4                    |
| 8                    | SCHLAUCHHALTER / HOSE BRACKET / SUPPORT POUR<br>TUYAU  | 6.389-508.0                       | 1                    |
| 9                    | FILTER / FILTER / FILTRE   | 4.862-032.0                       | 1                    |
| 10                   | SCHLAUCH DN 5 / HOSE / TUYAU FLEXIBLE  | 6.388-216.0                       | 1                    |
|                      | <b>ALS METERWARE BESTELLEN/TO ORDER AS CUT<br/>GOODS/COMMANDE COMME MARCHANDISE AU METRE</b> |                                   |                      |
| 13                   | GESTELL / FRAME / CHASSIS  | 4.210-096.0                       | 1                    |
| 14                   | SCHRAUBE M 6X 20 / SCREW / VIS   | 7.303-048.0                       | 4                    |
| 16                   | RADKAPPE / WHEEL CAB / ENJOLIVEUR  | 6.435-221.0                       | 2                    |
| 17                   | SCHNELLBEFESTIGER / QUICK-FASTENER / ATTACHE<br>RAPIDE                                       | 6.343-181.0                       | 2                    |
| 18                   | RAD 180X44 GELB / WHEEL / ROUE   | 6.435-266.0                       | 2                    |
| 19                   | GUMMIPUFFER / RUBBER BUFFER / BUTOIR CAOUTCHOUC  | 6.339-096.0                       | 2                    |
| 20                   | SCHEIBE 8 / WASHER / RONDELLE  | 7.312-004.0                       | 2                    |
| 21                   | 6KT-SCHR. M 8X 10 / HEXAGONAL HEAD SCREW / VIS<br>HEXAGONAL                                  | 7.304-393.0                       | 2                    |
| 22                   | FRONTPLATTE / FRONT PANEL / PLAQUE (AVANT)   | 5.031-236.0                       | 1                    |

"=> xxxxxx" = bis Werknummer / up to serial No. / jusqu' au No. de fabr. / "xxxxxx =>" = ab Werknummer / from serial No. / a partir du No. de fabr. /

GRUPPE: 2.0 ZYLINDERKOPF  
GROUP: 2.0 CYLINDER HEAD  
GRUPPE: 2.0 CULASSE

D1

K 2000 GM



Symbolbeschreibung siehe M16 / symbol description see M16 / désignation de système voir M16 /

GRUPPE: 2.0 ZYLINDERKOPF  
GROUP: 2.0 CYLINDER HEAD  
GRUPPE: 2.0 CULASSE

E1

K 2000 GM

| POS.<br>ITM.<br>POS. | BENNENUNG<br>DESCRIPTION<br>DESIGNATION                  | TEILE-NR.<br>PART-NO.<br>NO.PIECE | STCK<br>QTY.<br>NBR. |
|----------------------|--|-----------------------------------|----------------------|
| 1                    | ZYLINDERKOPF / CYLINDER HEAD / CULASSE                   | 5.550-225.0                       | 1                    |
| 4                    | DUESENEINSATZ / NOZZLE INSERT / INSERT DE BUSE           | 4.769-034.0                       | 1                    |
| 5                    | SCHRAUBENFEDER / HELICAL SPRING / RESSORT<br>CYLINDRIQUE | 5.332-258.0                       | 1                    |
| 6                    | KUGEL 7,0 / BALL / BOULE                                 | 7.401-909.0                       | 1                    |
| 7                    | O-RING 6,0 X 2,0 / GASKET / BAQUE D'ETANCHEITE           | 6.362-113.0                       | 1                    |
| 8                    | NIPPEL CHEMIE / NIPPLE / NIPPLE                          | 5.443-367.0                       | 1                    |
| 9                    | SCHRAUBE M 8X 60 / SCREW / VIS                           | 7.306-148.0                       | 3                    |
| 10                   | O-RING 9,0 X 1,5 / GASKET / BAQUE D'ETANCHEITE           | 6.362-384.0                       | 2                    |

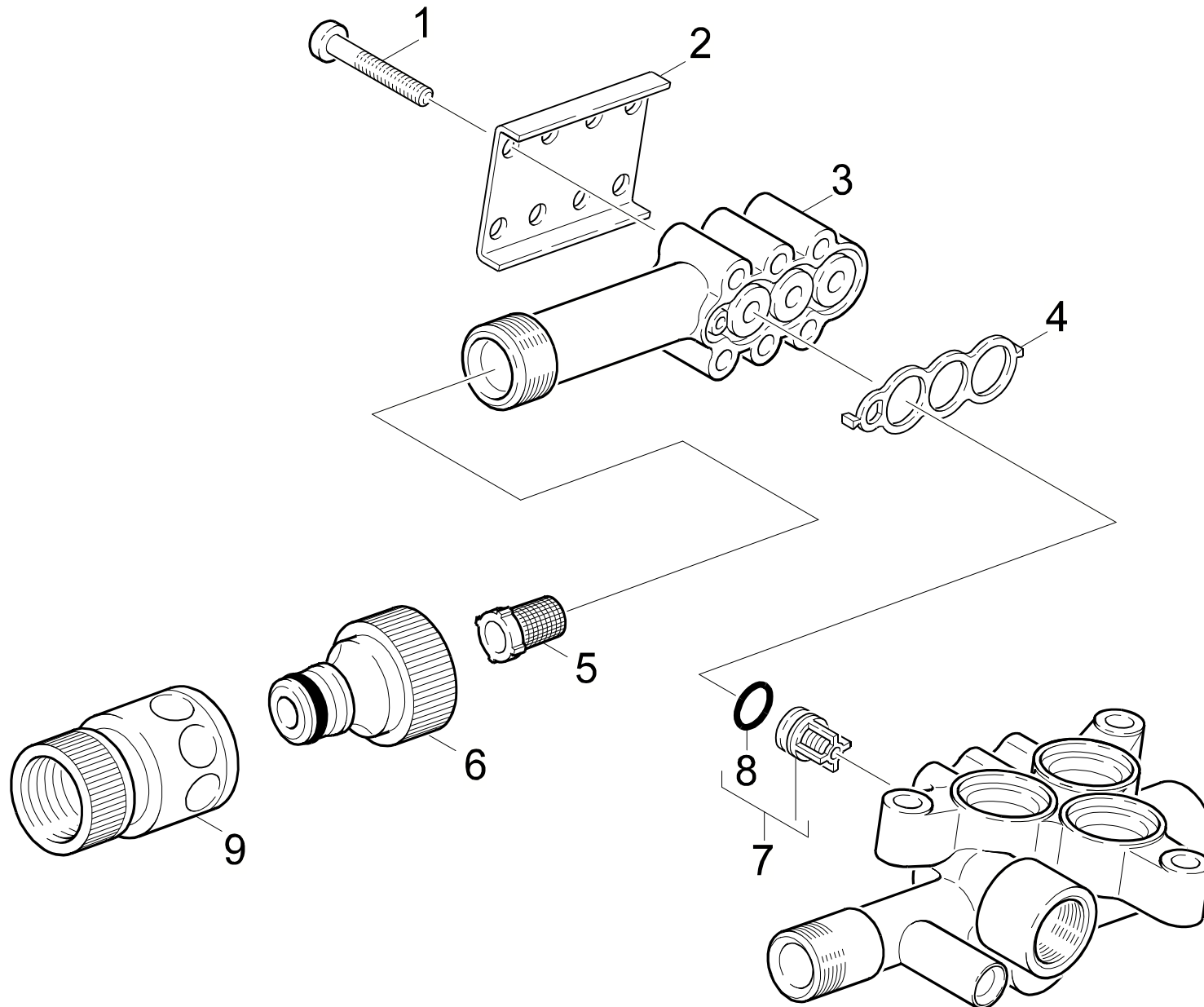
"=> xxxxxx" = bis Werknummer / up to serial No. / jusqu' au No. de fabr. / "xxxxxx =>" = ab Werknummer / from serial No. / a partir du No. de fabr. /

GRUPPE: 2.0 PUMPENSATZ  
GROUP: 2.0 PUMP SET  
GRUPPE: 2.0 JEU (ENSEMBLE) DE POMPE

**A2**

**K 2000 GM**

**GRUPPE: 2.0 PUMPENSATZ**  
**GROUP: 2.0 PUMP SET**  
**GRUPPE: 2.0 JEU (ENSEMBLE) DE POMPE**



Symbolbeschreibung siehe M16 / symbol description see M16 / désignation de système voir M16 /

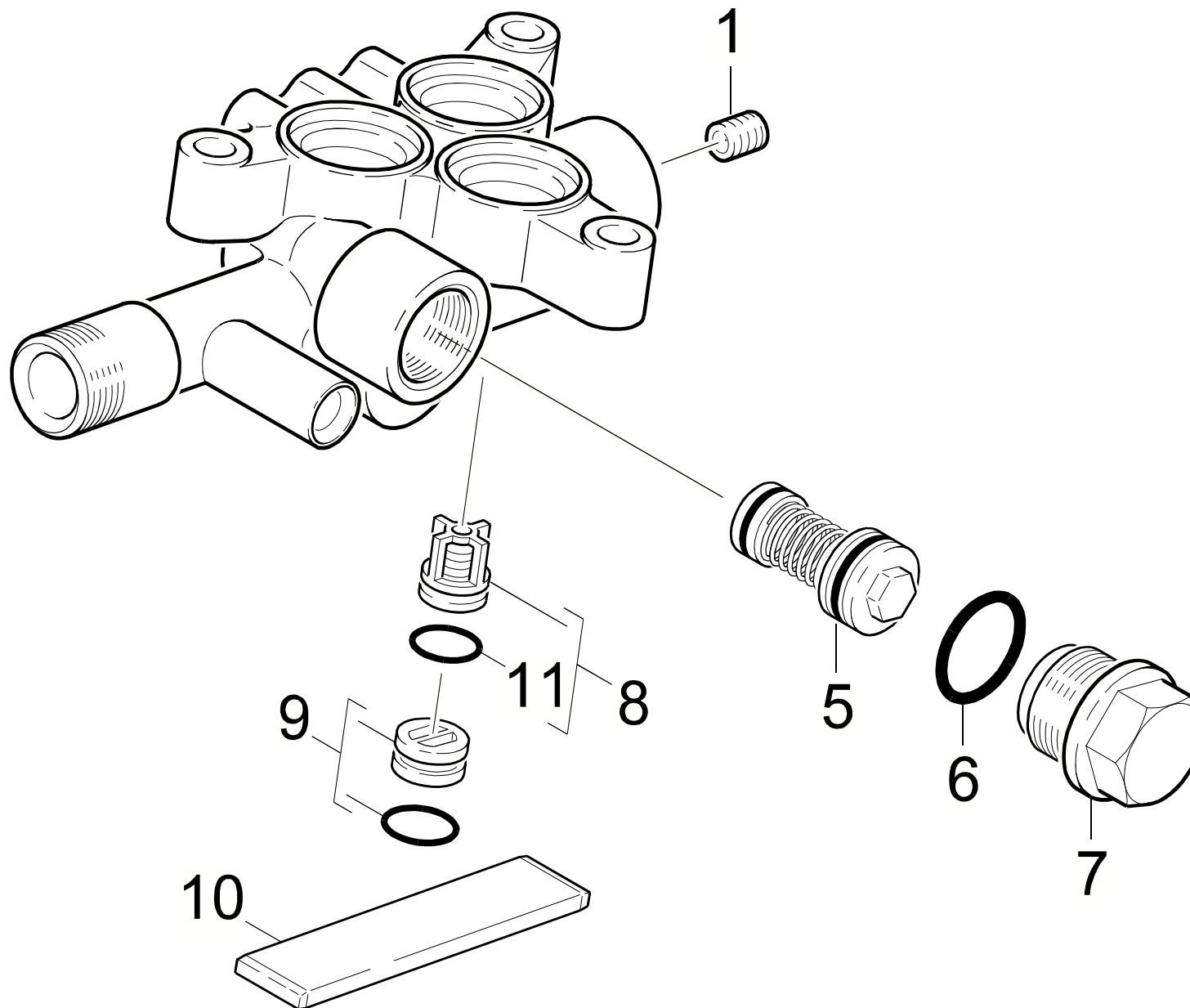
GRUPPE: 2.1 SAUGSEITE  
GROUP: 2.1 SUCTION SIDE  
GRUPPE: 2.1 COTE ASPIRANT

C2

K 2000 GM

| POS.<br>ITM.<br>POS. | BENNENUNG<br>DESCRIPTION<br>DESIGNATION                      | TEILE-NR.<br>PART-NO.<br>NO.PIECE | STCK<br>QTY.<br>NBR. |
|----------------------|--|-----------------------------------|----------------------|
| 1                    | LINSENSCHR. M 6X 40 / OVAL HEAD SCREW / VIS A TETE<br>BOMBEE | 6.304-101.0                       | 4                    |
| 2                    | PLATTE (SAUGDECKEL) / PLATE / PLAQUE                         | 5.003-068.0                       | 1                    |
| 3                    | SAUGDECKEL / COVER / COUVERCLE                               | 5.063-616.0                       | 1                    |
| 4                    | PROFILDICHTUNG / SEAL / ETOUPE PROFILE                       | 5.365-182.0                       | 1                    |
| 5                    | SIEB / STRAINER / CREPINE                                    | 6.414-384.0                       | 1                    |
| 6                    | ANSCHLUSS 3/4" / CONNECTION / RACCORD                        | 6.389-870.0                       | 1                    |
| 7                    | VENTIL KPL. / VALVE / SOUPAPE                                | 4.580-310.0                       | 3                    |
| 8                    | O-RING 10,0 X 2,2 / GASKET / BAQUE D'ETANCHEITE              | 6.362-107.0                       | 3                    |
| 9                    | SCHLAUCHKUPPLUNG / HOSE COUPLING / RACCORD<br>POMPIERS       | 6.389-716.0                       | 1                    |

"=> xxxxxx" = bis Werknummer / up to serial No. / jusqu' au No. de fabr. / "xxxxxx =>" = ab Werknummer / from serial No. / a partir du No. de fabr. /



Symbolbeschreibung siehe M16 / symbol description see M16 / désignation de système voir M16 /

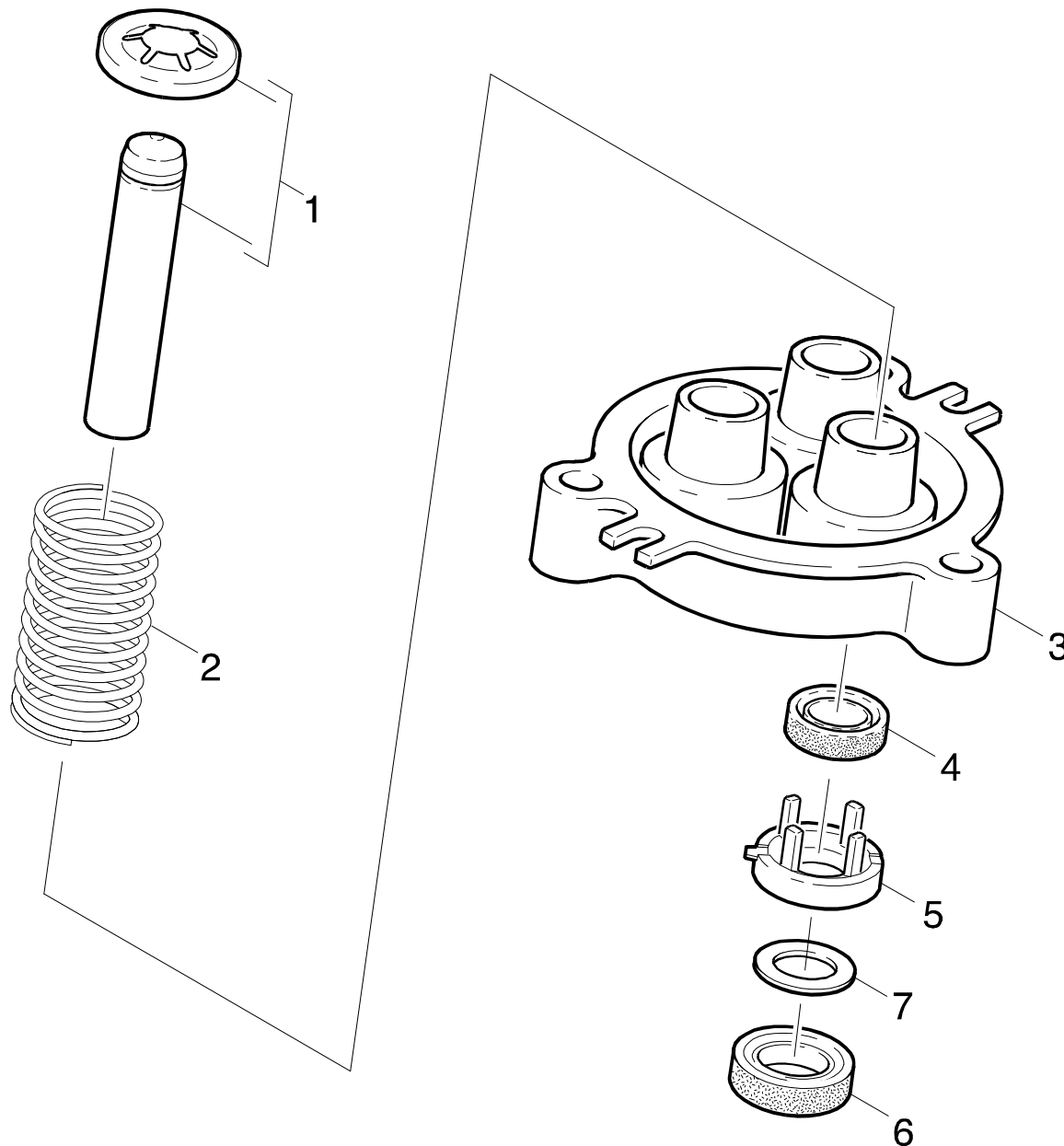
GRUPPE: 2.2 DRUCKSEITE  
GROUP: 2.2 DELIVERY SIDE OF PUMP  
GRUPPE: 2.2 COTE REFOULEMENT

E2

K 2000 GM

| POS. | BENNENUNG  | TEILE-NR.   | STCK |
|------|--|-------------|------|
| ITM. | DESCRIPTION  | PART-NO.    | QTY. |
| POS. | DESIGNATION  | NO.PIECE    | NBR. |
| 1    | GEW.STIFT M 8X 8 / THREADED PIN / VIS SANS TETE      | 7.307-350.0 | 1    |
| 5    | UEBERSTROEMER / SPILL VALVE / VALVE DE BARRAGE       | 4.580-305.0 | 1    |
| 6    | O-RING 16,0 X 2,0 / GASKET / BAQUE D'ETANCHEITE      | 6.362-903.0 | 1    |
| 7    | VERSCHLUSSCHRAUBE / CLOSING SCREW / VIS DE FERMETURE | 5.411-130.0 | 1    |
| 8    | VENTIL KPL. / VALVE / SOUPAPE                        | 4.580-310.0 | 3    |
| 9    | VERSCHLUSSTOPFEN / DRAIN PLUG / BOUCHON              | 4.132-007.0 | 3    |
| 10   | PLATTE / PLATE / PLAQUE                              | 5.003-062.0 | 1    |
| 11   | O-RING 10,0 X 2,2 / GASKET / BAQUE D'ETANCHEITE      | 6.362-107.0 | 3    |

"=> xxxxxx" = bis Werknummer / up to serial No. / jusqu' au No. de fabr. / "xxxxxx =>" = ab Werknummer / from serial No. / a partir du No. de fabr. /



Symbolbeschreibung siehe M16 / symbol description see M16 / désignation de système voir M16 /

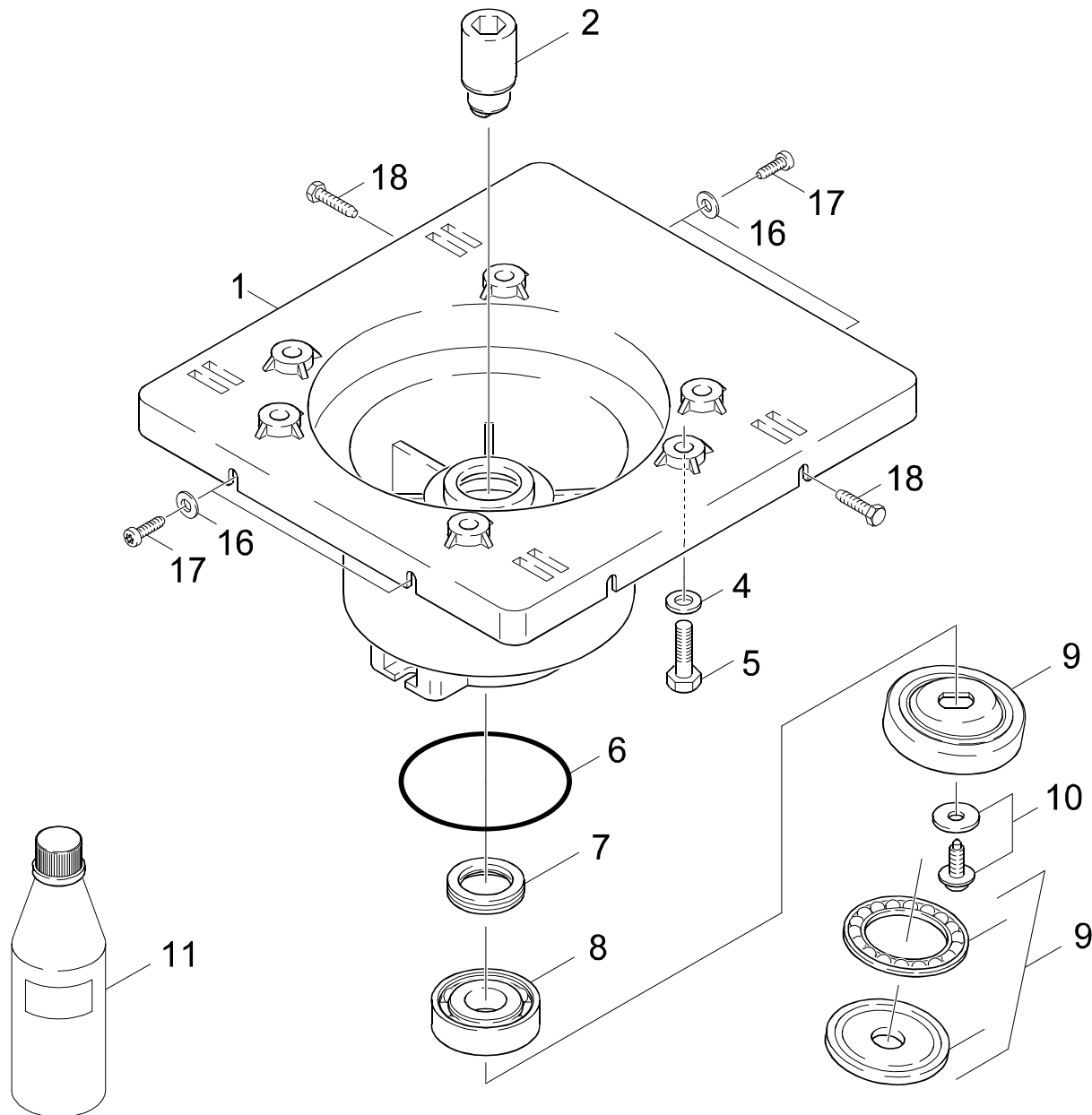
GRUPPE: 2.3 KOLBEN  
GROUP: 2.3 PISTON  
GRUPPE: 2.3 PISTON

**G2**

**K 2000 GM**

| POS. | BENNENNUNG   | TEILE-NR.   | STCK |
|------|--|-------------|------|
| ITM. | DESCRIPTION  | PART-NO.    | QTY. |
| POS. | DESIGNATION  | NO.PIECE    | NBR. |
| 1    | KOLBEN KPL. / PISTON / PISTON                            | 4.553-148.0 | 3    |
| 2    | SCHRAUBENFEDER / HELICAL SPRING / RESSORT<br>CYLINDRIQUE | 5.332-251.0 | 3    |
| 3    | GEHAEUSE GERADSCHUB / HOUSING / BOITIER                  | 5.060-499.0 | 1    |
| 4    | NUTRING 14X22X5/7 / GROOVED RING / JOINT A LEVRES        | 6.365-340.0 | 3    |
| 5    | SCHEIBE / WASHER / RONDELLE                              | 5.115-687.0 | 3    |
| 6    | NUTRING / GROOVED RING / JOINT A LEVRES                  | 6.365-341.0 | 3    |
| 7    | SCHEIBE / WASHER / RONDELLE                              | 5.115-465.0 | 3    |

"=> xxxxxx" = bis Werknummer / up to serial No. / jusqu' au No. de fabr. / "xxxxxx =>" = ab Werknummer / from serial No. / a partir du No. de fabr. /



Symbolbeschreibung siehe M16 / symbol description see M16 / désignation de système voir M16 /

GRUPPE: 3.0 MOTOR  
GROUP: 3.0 MOTOR  
GROUPE: 3.0 MOTEUR

I2

K 2000 GM

| POS.<br>ITM.<br>POS. | BENNENUNG<br>DESCRIPTION<br>DESIGNATION                        | TEILE-NR.<br>PART-NO.<br>NO.PIECE | STCK<br>QTY.<br>NBR. |
|----------------------|--|-----------------------------------|----------------------|
| 0                    | BENZINMOTOR / GASOLINE ENGINE / MOTEUR A ESSENCE               | 6.491-443.0                       | 1                    |
| 1                    | HAUBE / COVER / CAPOT  | 6.905-579.0                       | 1                    |
| 2                    | SET HANDSTARTER / SET / KIT                                    | 6.275-036.0                       | 1                    |
| 3                    | STARTERSEIL / STARTER ROPE / CORDE DE DEMARREUR                | 6.491-612.0                       | 1                    |
| 4                    | GRIFF F.STARTERSEIL / HANDLE / POIGNEE                         | 6.491-466.0                       | 1                    |
| 5                    | GRIFFVERSTAERKUNG / HANDLE / POIGNEE                           | 6.491-468.0                       | 1                    |
| 6                    | KUPPLUNGSTEIL / COUPLING ELEMENT / PIECE D'ACCOUPL.            | 6.463-053.0                       | 1                    |
| 7                    | TANKDECKEL / CAP OF A TANK / BOUCHON DE RESERVOIR              | 6.491-461.0                       | 1                    |
| 8                    | LUFTFILTER KPL. / AIR FILTER / FILTRE A AIR                    | 6.491-465.0                       | 1                    |
| 9                    | BOLZEN / BOLT / BOULON   | 6.316-073.0                       | 1                    |
| 10                   | LUFTFILTERDECKEL / COVER AIR FILTER / COUVERCLE (FILTRE A AIR) | 6.491-464.0                       | 1                    |
| 11                   | LUFTFILTERVLIES / AIR FILTER FLEECE / TOISON DE FILTRE A AIR   | 6.491-463.0                       | 1                    |
| 12                   | LUFTFILTER / AIR FILTER / FILTRE A AIR                         | 6.491-462.0                       | 1                    |
| 13                   | SCHRAUBE 3/8"-24UNF / SCREW / VIS                              | 6.303-221.0                       | 1                    |
| 14                   | ZUENDKERZE / IGNITION PLUG / BOUGIE D'ALLUMAGE                 | 6.618-098.0                       | 1                    |
| 15                   | O-RING 26,0 X 2,7 / GASKET / BAQUE D'ETANCHEITE                | 6.491-115.0                       | 1                    |
| 16                   | OELMESSTAB / OIL DIP ROD / JAUGE NIVEAU D'HUILE                | 6.491-460.0                       | 1                    |
| 17                   | MOTORENOEL SAE30 / ENGINE OIL / HUILE (MOTEUR)                 | 6.288-086.0                       | 1                    |
| 18                   | FEDER / SPRING / RESSORT                                       | 6.491-516.0                       | 1                    |
| 19                   | BL.SCHR. ST4,8X 9,5 / SHEET METAL SCREW / VIS A TOLE           | 7.303-393.0                       | 1                    |
| 20                   | HALTER / BRACKET / FIXATION                                    | 5.042-944.0                       | 1                    |

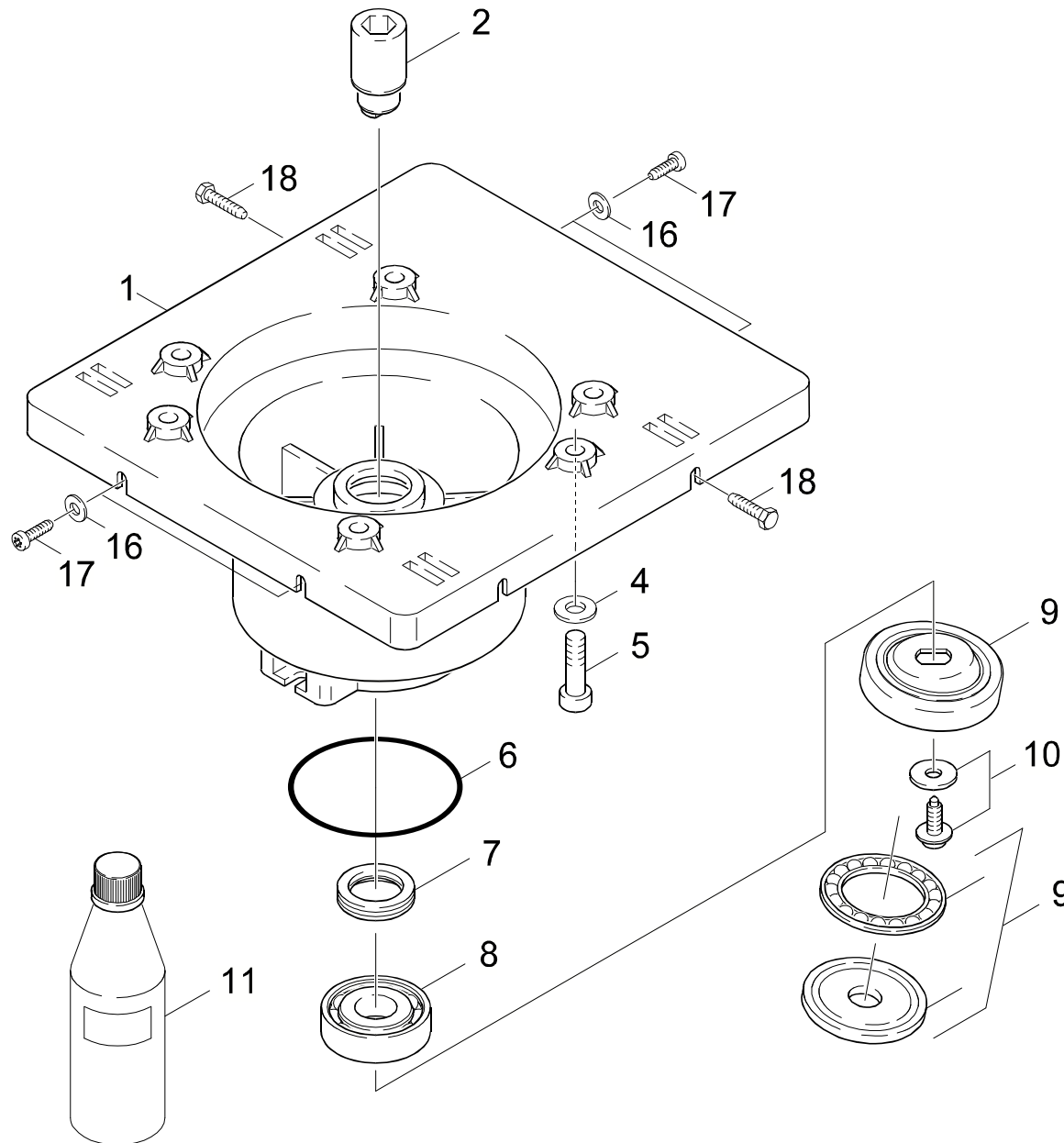
"=> xxxxxx" = bis Werknummer / up to serial No. / jusqu' au No. de fabr. / "xxxxxx =>" = ab Werknummer / from serial No. / a partir du No. de fabr. /

**GRUPPE: 3.0 MOTOR**  
**GROUP: 3.0 MOTOR**  
**GRUPPE: 3.0 MOTEUR**

**A3**

**K 2000 GM**

**GRUPPE: 3.0 MOTOR**  
**GROUP: 3.0 MOTOR**  
**GRUPPE: 3.0 MOTEUR**



Symbolbeschreibung siehe M16 / symbol description see M16 / désignation de système voir M16 /

GRUPPE: 3.1 ANTRIEB  
GROUP: 3.1 GEAR  
GROUPE: 3.1 ENTRAINEMENT

C3

K 2000 GM

| POS.<br>ITM.<br>POS. | BENNENUNG<br>DESCRIPTION<br>DESIGNATION                            | TEILE-NR.<br>PART-NO.<br>NO.PIECE | STCK<br>QTY.<br>NBR. |
|----------------------|--|-----------------------------------|----------------------|
| 1                    | GEHAEUSE / HOUSING / BOITIER                                       | 5.060-586.0                       | 1                    |
| 2                    | KUPPLUNGSTEIL / COUPLING ELEMENT / PIECE D'ACCOUPL.                | 5.471-075.0                       | 1                    |
| 4                    | SCHEIBE 8 / WASHER / RONDELLE                                      | 7.312-004.0                       | 3                    |
| 5                    | ZYLINDERSCHRAUBE / CYLINDER HEAD SCREW / VIS A TETE<br>CYLINDRIQUE | 6.304-119.0                       | 3                    |
| 6                    | O-RING 80,0 X 3,0 / GASKET / BAQUE D'ETANCHEITE                    | 6.362-471.0                       | 1                    |
| 7                    | RWDR A26 X 37 X 7 / ROTARY SHAFT SEAL / JOINT (ARBRE)              | 7.367-018.0                       | 1                    |
| 8                    | KUGELLAGER 6304 / BALL BEARING / ROULEMENT A BILLE                 | 7.401-155.0                       | 1                    |
| 9                    | TAUMELSCHEIBE / SWASH PLATE / DISQUE EN NUTATION                   | 6.401-194.0                       | 1                    |
| 10                   | ZYL.SCHR. M 6X 19 / CHEESE HEAD SCREW / VIS A TETE<br>CYLINDR.     | 6.304-048.0                       | 1                    |
| 11                   | MOTORENOEL 1L / ENGINE OIL / HUILE (MOTEUR)                        | 6.288-050.0                       | 1                    |
| 16                   | SCHEIBE 5 / WASHER / RONDELLE                                      | 7.312-002.0                       | 4                    |
| 17                   | SCHRAUBE M 5X 16 / SCREW / VIS                                     | 7.303-039.0                       | 4                    |
| 18                   | SCHRAUBE M 6X 20 / SCREW / VIS                                     | 7.303-048.0                       | 3                    |
| 19                   | HALTER / BRACKET / FIXATION  | 5.042-944.0                       | 1                    |
| 20                   | BL.SCHR. ST4,8X 9,5 / SHEET METAL SCREW / VIS A TOLE               | 7.303-393.0                       | 1                    |

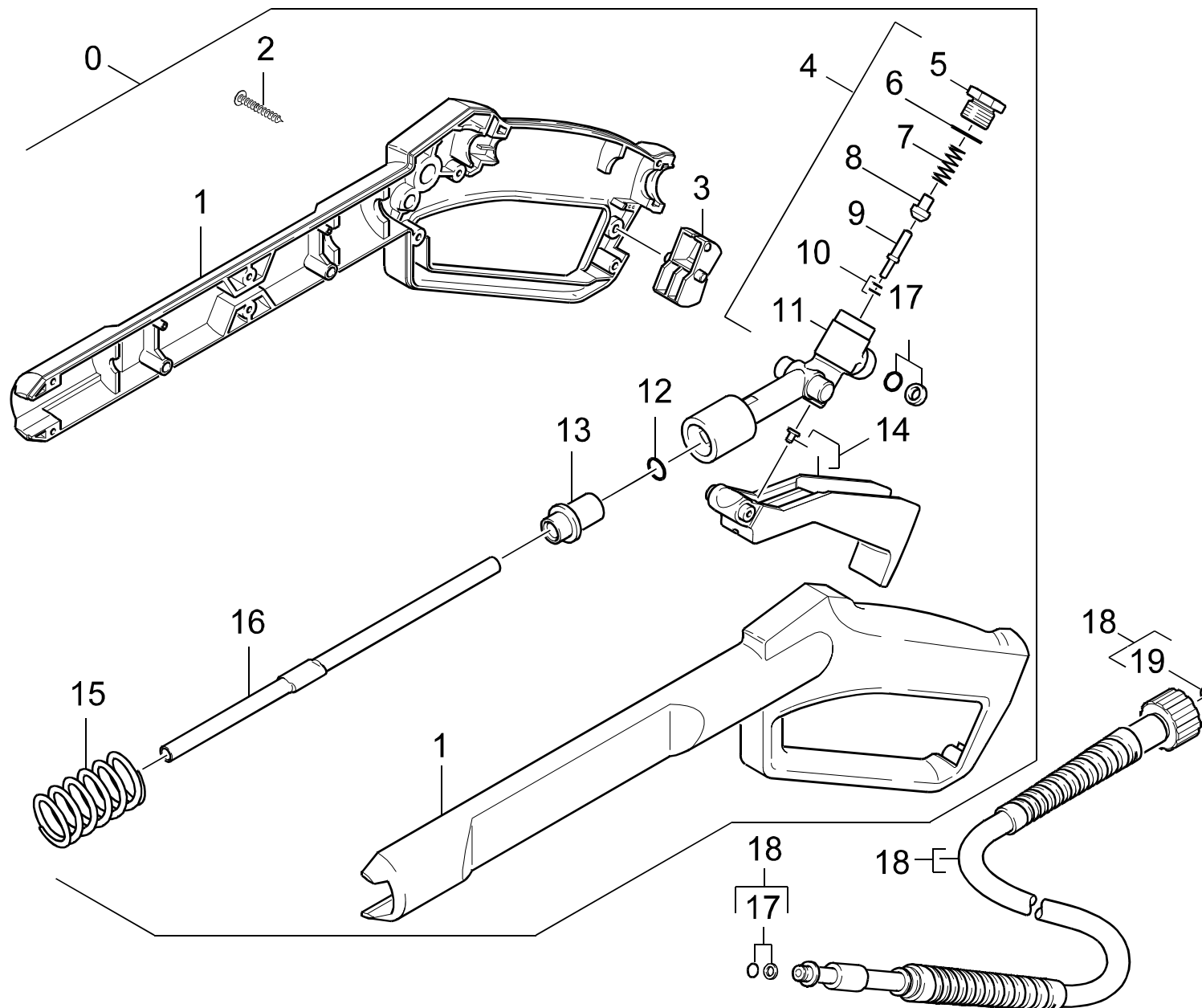
"=> xxxxxx" = bis Werknummer / up to serial No. / jusqu' au No. de fabr. / "xxxxxx =>" = ab Werknummer / from serial No. / a partir du No. de fabr. /

GRUPPE: 4.0 ZUBEHOER  
GROUP: 4.0 ACCESSORIES  
GRUPPE: 4.0 ACCESSOIRES

**A4**

**K 2000 GM**

**GRUPPE: 4.0 ZUBEHOER**  
**GROUP: 4.0 ACCESSORIES**  
**GRUPPE: 4.0 ACCESSOIRES**



Symbolbeschreibung siehe M16 / symbol description see M16 / désignation de système voir M16 /

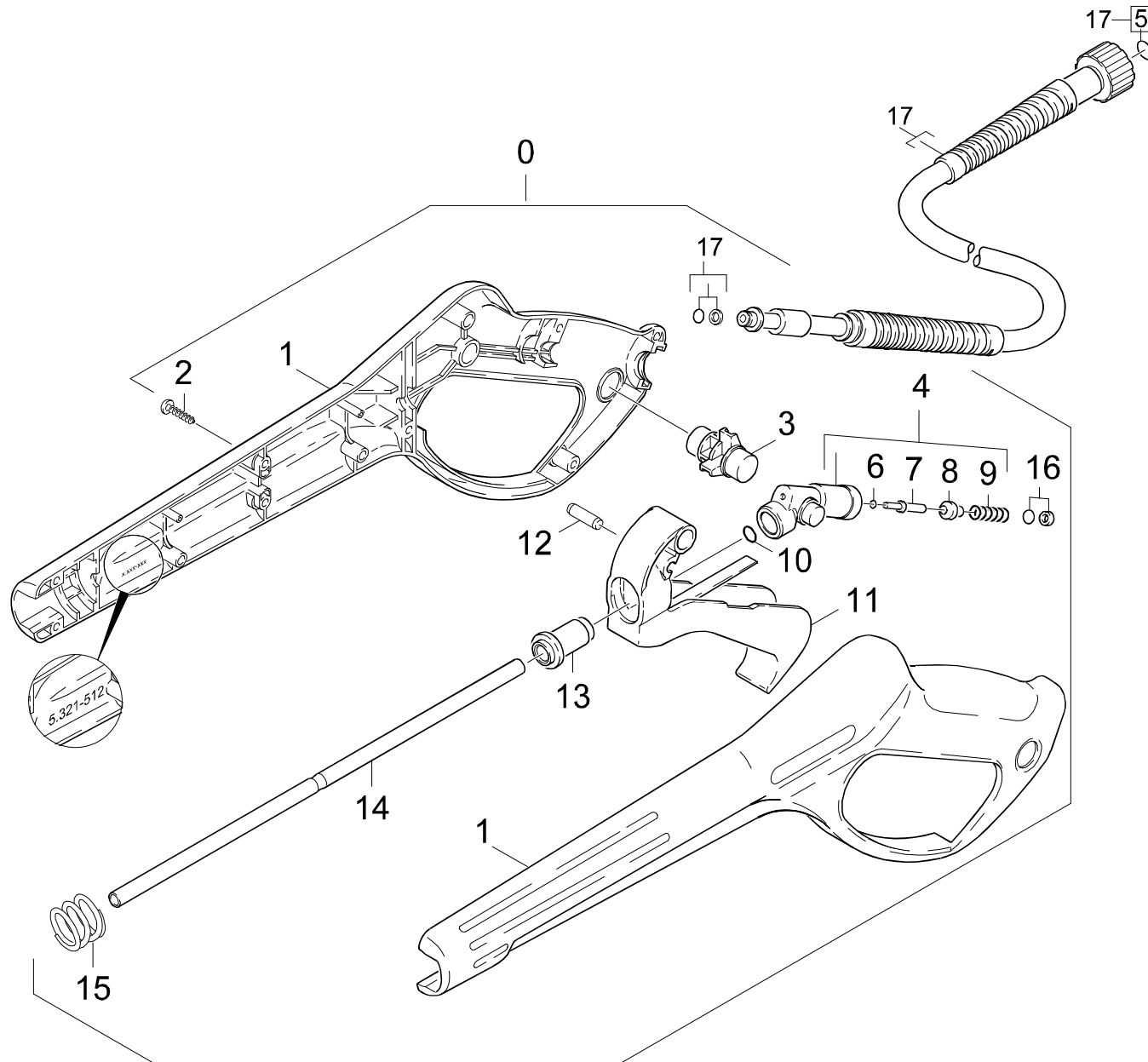
GRUPPE: 4.1 HANDSPRITZPISTOLE / VERSION 1 /  
GROUP: 4.1 TRIGGER GUN / VERSION 1 /  
GROUPE: 4.1 POIGNEE PISTOLET / VERSION 1 /

C4

K 2000 GM

| POS.<br>ITM.<br>POS. | BENNENUNG<br>DESCRIPTION<br>DESIGNATION                            | TEILE-NR.<br>PART-NO.<br>NO.PIECE | STCK<br>QTY.<br>NBR. |
|----------------------|--|-----------------------------------|----------------------|
| 0                    | PISTOLE 96 ERSATZ / PISTOL / PISTOLET                              | 4.775-264.0                       | 1                    |
| 1                    | GRIFFPAAAR / HANDLES / BRANCHES POIGNEE                            | 5.321-419.0                       | 1                    |
| 2                    | LINSENSCHR. 4,2X 13 / OVAL HEAD SCREW / VIS A TETE BOMBEE          | 6.303-122.0                       | 9                    |
| 3                    | HEBEL / LEVER / LEVIER   | 5.481-052.0                       | 1                    |
| 4                    | KNOTENSTUECK / MANIFOLD / FERRURE NODALE                           | 4.427-150.0                       | 1                    |
| 5                    | VERSCHLUSSCHRAUBE / CLOSING SCREW / VIS DE FERMETURE               | 5.411-054.0                       | 1                    |
| 6                    | O-RING 12,42X 1,78 / GASKET / BAQUE D'ETANCHEITE                   | 6.362-480.0                       | 1                    |
| 7                    | SCHRAUBENFEDER / HELICAL SPRING / RESSORT CYLINDRIQUE              | 5.332-157.0                       | 1                    |
| 8                    | VENTILTELLER / VALVE DISC / TETE DE SOUPAPE                        | 5.582-058.0                       | 1                    |
| 9                    | STANGE / BAR / TIGE  | 5.107-067.0                       | 1                    |
| 10                   | O-RING 2,8 X 1,6 / GASKET / BAQUE D'ETANCHEITE                     | 7.362-502.0                       | 1                    |
| 11                   | KNOTENSTUECK / MANIFOLD / FERRURE NODALE                           | 5.427-166.0                       | 1                    |
| 12                   | O-RING 7,8 X 3,6 / GASKET / BAQUE D'ETANCHEITE                     | 6.362-802.0                       | 1                    |
| 13                   | HUELSE / SLEEVE / DOUILLE  | 5.110-477.0                       | 1                    |
| 14                   | HEBEL / LEVER / LEVIER   | 4.481-035.0                       | 1                    |
| 15                   | SCHRAUBENFEDER / HELICAL SPRING / RESSORT CYLINDRIQUE              | 5.332-247.0                       | 1                    |
| 16                   | ROHR / PIPE / TUYAU  | 5.028-486.0                       | 1                    |
| 17                   | O-RING KPL./1ST.-R. / GASKET / BAQUE D'ETANCHEITE                  | 6.363-115.0                       | 1                    |
| 18                   | HD-SCHLAUCH 15MPA / HIGH PRESSURE HOSE / TUYAU FLEXIBLE HAUTE PRE. | 6.389-555.0                       | 1                    |
| 19                   | ERSATZTEILSET / SPARE PARTS KIT / KIT DE PIECES                    | 2.880-296.0                       | 1                    |

"=> xxxxxx" = bis Werknummer / up to serial No. / jusqu' au No. de fabr. / "xxxxxx =>" = ab Werknummer / from serial No. / a partir du No. de fabr. /



Symbolbeschreibung siehe M16 / symbol description see M16 / désignation de système voir M16 /

GRUPPE: 4.2 HANDSPRITZPISTOLE / VERSION 2 /  
GROUP: 4.2 TRIGGER GUN / VERSION 2 /  
GROUPE: 4.2 POIGNEE PISTOLET / VERSION 2 /

E4

K 2000 GM

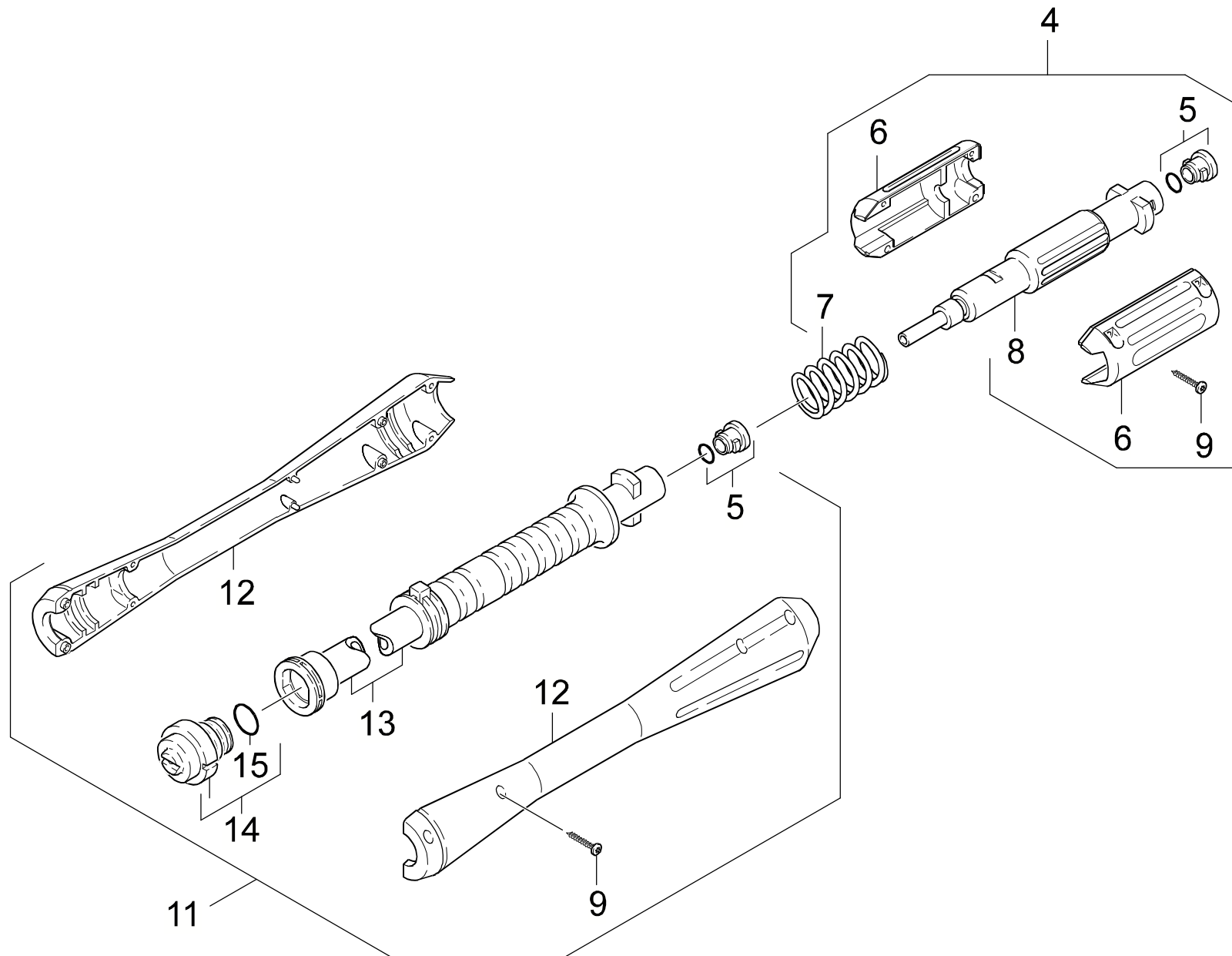
| POS.<br>ITM.<br>POS. | BENNENUNG<br>DESCRIPTION<br>DESIGNATION                            | TEILE-NR.<br>PART-NO.<br>NO.PIECE | STCK<br>QTY.<br>NBR. |
|----------------------|--|-----------------------------------|----------------------|
| 0                    | PISTOLE 96 ERSATZ / PISTOL / PISTOLET                              | 4.775-264.0                       | 1                    |
| 1                    | GRIFFPAAAR / HANDLES / BRANCHES POIGNEE                            | 5.321-512.0                       | 1                    |
| 2                    | LINSENSCHR. 4,2X 13 / OVAL HEAD SCREW / VIS A TETE BOMBEE          | 6.303-122.0                       | 9                    |
| 3                    | HEBEL VERRIEGELUNG / LEVER / LEVIER                                | 5.481-189.0                       | 1                    |
| 4                    | KNOTENSTUECK KPL. / MANIFOLD / FERRURE NODALE                      | 4.427-178.0                       | 1                    |
| 5                    | ERSATZTEILSET / SPARE PARTS KIT / KIT DE PIECES                    | 2.880-296.0                       | 1                    |
| 6                    | O-RING 2,8 X 1,6 / GASKET / BAQUE D'ETANCHEITE                     | 7.362-502.0                       | 1                    |
| 7                    | STANGE / BAR / TIGE  | 5.107-147.0                       | 1                    |
| 8                    | VENTILTELLER / VALVE DISC / TETE DE SOUPAPE                        | 5.582-058.0                       | 1                    |
| 9                    | SCHRAUBENFEDER / HELICAL SPRING / RESSORT CYLINDRIQUE              | 5.332-157.0                       | 1                    |
| 10                   | O-RING 7,59X 2,62 / GASKET / BAQUE D'ETANCHEITE                    | 6.362-479.0                       | 1                    |
| 11                   | HEBEL KPL. / LEVER / LEVIER  | 4.481-105.0                       | 1                    |
| 12                   | STIFT / PIN / CHEVILLE   | 5.314-082.0                       | 1                    |
| 13                   | HUELSE / SLEEVE / DOUILLE  | 5.110-539.0                       | 1                    |
| 14                   | ROHR PISTOLE / PIPE / TUYAU  | 5.028-905.0                       | 1                    |
| 15                   | DRUCKFEDER / PRESSURE SPRING / RESSORT A PRESSION                  | 5.332-349.0                       | 1                    |
| 16                   | O-RING KPL./1ST.-R. / GASKET / BAQUE D'ETANCHEITE                  | 6.363-115.0                       | 1                    |
| 17                   | HD-SCHLAUCH 15MPA / HIGH PRESSURE HOSE / TUYAU FLEXIBLE HAUTE PRE. | 6.389-555.0                       | 1                    |

"=> xxxxxx" = bis Werknummer / up to serial No. / jusqu' au No. de fabr. / "xxxxxx =>" = ab Werknummer / from serial No. / a partir du No. de fabr. /

GRUPPE: 4.3 STRAHLROHR  
GROUP: 4.3 JET PIPE  
GRUPPE: 4.3 LANCE D'INCENDIE

F4

K 2000 GM



Symbolbeschreibung siehe M16 / symbol description see M16 / désignation de système voir M16 /

GRUPPE: 4.3 STRAHLROHR  
GROUP: 4.3 JET PIPE  
GROUPE: 4.3 LANCE D'INCENDIE

G4

K 2000 GM

| POS. | BENNENUNG  | TEILE-NR.   | STCK |
|------|--|-------------|------|
| ITM. | DESCRIPTION  | PART-NO.    | QTY. |
| POS. | DESIGNATION  | NO.PIECE    | NBR. |
| 4    | STRAHLROHRVERLAENG. / JET PIPE-LENGTHENING / LANCE-ALLONGE | 4.760-332.0 | 1    |
| 5    | ERSATZTEILSET / SPARE PARTS KIT / KIT DE PIECES            | 2.883-111.0 | 1    |
| 6    | GRIFFSCHALE / HANDLE PART / POIGNEE                        | 5.321-368.0 | 2    |
| 7    | SCHRAUBENFEDER / HELICAL SPRING / RESSORT CYLINDRIQUE      | 5.332-247.0 | 1    |
| 8    | ROHR / PIPE / TUYAU  | 5.028-758.0 | 1    |
| 9    | LINSENSCHR. 4,2X 13 / OVAL HEAD SCREW / VIS A TETE BOMBEE  | 6.303-122.0 | 12   |
| 11   | STRAHLROHR VP 034 / JET PIPE / LANCE D'INCENDIE            | 4.760-324.0 | 1    |
| 12   | GRIFFPAAR / HANDLES / BRANCHES POIGNEE                     | 5.321-445.0 | 1    |
| 13   | STRAHLROHR VP / JET PIPE / LANCE D'INCENDIE                | 5.029-842.0 | 1    |
| 14   | DUESENKOPF VP 034 / NOZZLE CAP / BUSE                      | 4.762-126.0 | 1    |
| 15   | O-RING 18,0 X 2,0 / GASKET / BAQUE D'ETANCHEITE            | 6.362-534.0 | 1    |

"=> xxxxxx" = bis Werknummer / up to serial No. / jusqu' au No. de fabr. / "xxxxxx =>" = ab Werknummer / from serial No. / a partir du No. de fabr. /

## Bestellhinweis

Bei Ihrer Bestellung sind unbedingt anzugeben :

| 1.   | 2.   | 3.                                      | 4.                                 | 5.                                 |
|--|--|---|------------------------------------|------------------------------------|
| Gerätetyp<br>Machine model<br>Type d'appareils | Herstell-Nr.<br>Serial-No.<br>No. de série | Benennung<br>Description<br>Désignation | Teile-Nr.<br>Part No.<br>Référence | Stückzahl<br>Piece No.<br>Quantité |



**siehe Typenschild  
see name-plate  
voir plaque signalétique**



**siehe Ersatzteilliste  
see spare parts list  
voir liste des pièces de rechange**

- Die Ersatzteile, welche als Meterware geliefert werden, sind auf Einbaulänge selbst zu kürzen. Ebenso sind die Stückzahlen in den jeweiligen Gruppen als Mindestbestellmengen = 1m angegeben und können je nach Bedarf auf weitere volle Meterzahlen erhöht und bestellt werden.
- Spare Parts which are delivered as cut goods have to be shortened to installation length. The quotation of quantity in each group refers to the minimum order quantity = 1m and may be ordered and raised to further full metre-values according to demand
- Les pièces de rechange qui sont livrées comme marchandise au mètre sont à raccourcir selon la longueur d'installation. Les indications de quantité dans chaque group se réfèrent à des valeurs de mètre de plus.
- Diese Ersatzteilliste erscheint in gedruckter Form sowie als Mikrofiche. Bei Querverweisen bezieht sich die Angabe "Seitenzahl" auf die gedruckte Ersatzteilliste und die Angabe "Bildtafel" auf die Mikrofilmausgabe.
- This spare parts list is published both in printed form and as a microfiche. In the cross-references, "page number" refers to the printed spare parts list and "display table" to the microfilm edition.
- Cette liste de pièces de rechange est aussi bien imprimée que publiée sous forme de microfiche. Les indications transversales renvoient au "numéro de page" sur la liste imprimée des pièces de rechange et à la "planche" sur la microfiche.

Bitte beachten Sie, daß der Teileumfang dieser Ersatzteilliste nicht unbedingt dem Lieferumfang Ihres Gerätes entspricht.

For your information: It could be that certain parts quoted in this spare parts list were not included with the machine delivery.

Pour votre information: il se peut que certaines pièces détachées mentionnées sur la liste ne vous aient pas été livrées avec l'appareil.

Die in dieser Ersatzteilliste nicht aufgeführten Einzelteile, bestellen Sie bitte direkt beim Vertragskundendienst des jeweiligen Herstellers.

Please order the individual parts not included in this assembly directly with the contract aftersales service of the manufacturer in question.

Veillez s'il vous plaît, commander les pièces détachées qui ne sont indiquées dans notre liste des pièces détachées, directement auprès du service après-vente des fabricants en question.

Bei Bestellung von lackierten Teilen, welche in der Ersatzteilliste nicht in verschiedenen Farben ausgewiesen sind, ist zusätzlich die Farbnummer oder Farbe mit anzugeben. Diese finden Sie auf dem Typenschild oder Farbschild Ihres Gerätes.

Upon ordering of varnished parts which are not mentioned in the spare parts list as parts with different colors, kindly additionally mention the number of the color. It can be seen on the type plate of the color plate of your machine.

Commandant des parts vernissés qui ne sont pas mentionnés comme parts avec une couleur différente dans la liste des pièces détachées, veuillez mentionner de plus le numéro de la couleur. Il se trouve sur la plaque signalétique ou la plaque de couleur de votre machine.

Auflistungen von Einzelteilen bei Ersatzteil - u. Pumpensets sind in der Reihe "16" einzusehen, bzw. direkt unter dem entsprechenden Set aufgelistet.

Listings of single parts upon spare parts kits and pump kits can be seen in row "16" or directly listed below the corresponding kit.  
Des établissements des pièces détachées en ce qui concerne les kits des pièces de rechange et les kits de pompes, peuvent être vus à la ligne "16" ou ils sont répertoriés directement au-dessous du jeu correspondant.

Technische Änderungen im Rahmen der Weiterentwicklung sowie das Recht der ausschließlichen Auswertung unseres geistigen Eigentums behalten wir uns vor. Vervielfältigung und Nachdruck nur mit Genehmigung und Urheberhinweis möglich.

We reserve the right to make technical changes in the course of development work and the right to make exclusive use of our intellectual property. This spare parts list may be duplicated or reprinted only with our approval and with acknowledgement of our copyright.

Nous nous réservons le droit de toutes modifications techniques dans le cadre du perfectionnement des mises au point ainsi que le droit de la mise en valeur exclusive de notre propriété intellectuelle. Polycopie et reproduction exclusivement après accord et avec mention de l'auteur.

|         |                             |       |
|---------|-----------------------------|-------|
| GRUPPE: | 1.0 EINZELTEILE             | A1-E1 |
| GROUP:  | 1.0 PIECE PARTS             |       |
| GRUPPE: | 1.0 PIECES CONSTITUANTES    |       |
| GRUPPE: | 2.0 PUMPENSATZ              | A2-I2 |
| GROUP:  | 2.0 PUMP SET                |       |
| GRUPPE: | 2.0 JEU (ENSEMBLE) DE POMPE |       |
| GRUPPE: | 3.0 MOTOR                   | A3-C3 |
| GROUP:  | 3.0 MOTOR                   |       |
| GRUPPE: | 3.0 MOTEUR                  |       |
| GRUPPE: | 4.0 ZUBEHOER                | A4-G4 |
| GROUP:  | 4.0 ACCESSORIES             |       |
| GRUPPE: | 4.0 ACCESSOIRES             |       |



BEISPIEL: VERSION 1  
EXAMPLE: VERSION 1  
EXEMPLE: VERSION 1

**3.0**

BEISPIEL: SIEHE IN GRUPPE 3  
EXAMPLE: SEE IN GROUP 3  
EXEMPLE: VOIR EN GROUPE 3



WICHTIGER HINWEIS  
IMPORTANT REMARK  
REMARCAQUAGE IMPORTANT

BESTELLHINWEIS SIEHE M15  
EXAMPLE ORDER SEE M15  
EXEMPLE DE COMMANDE VOIR M15

VARIANTENÜBERSICHT SIEHE L16  
VARIANTS SURVEY SEE L16  
VUE D'ENSEMBLE DE VARIANTS VOIR L16