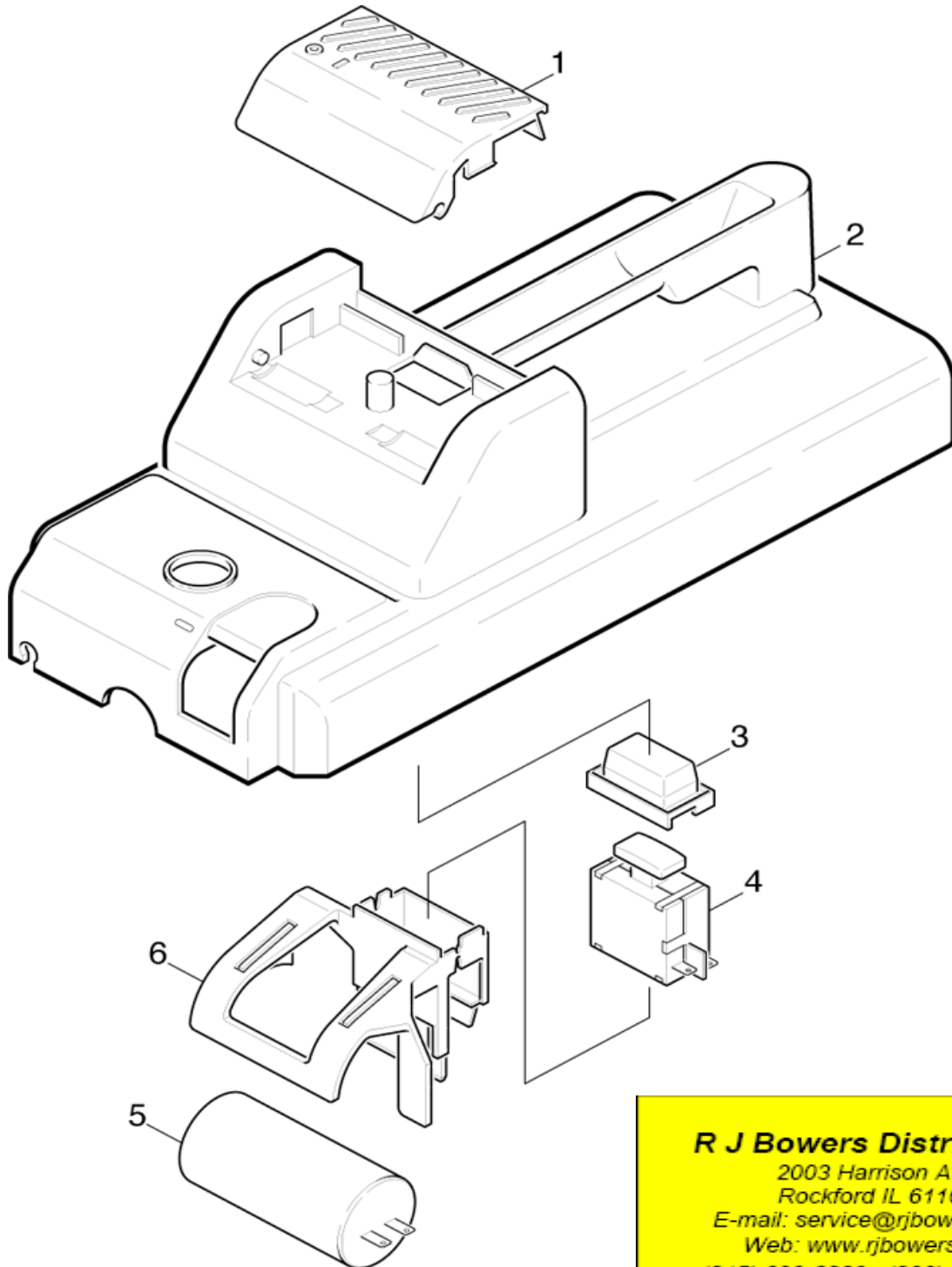


# PARTS BREAKDOWN FOR K595S (1.855-670.0)

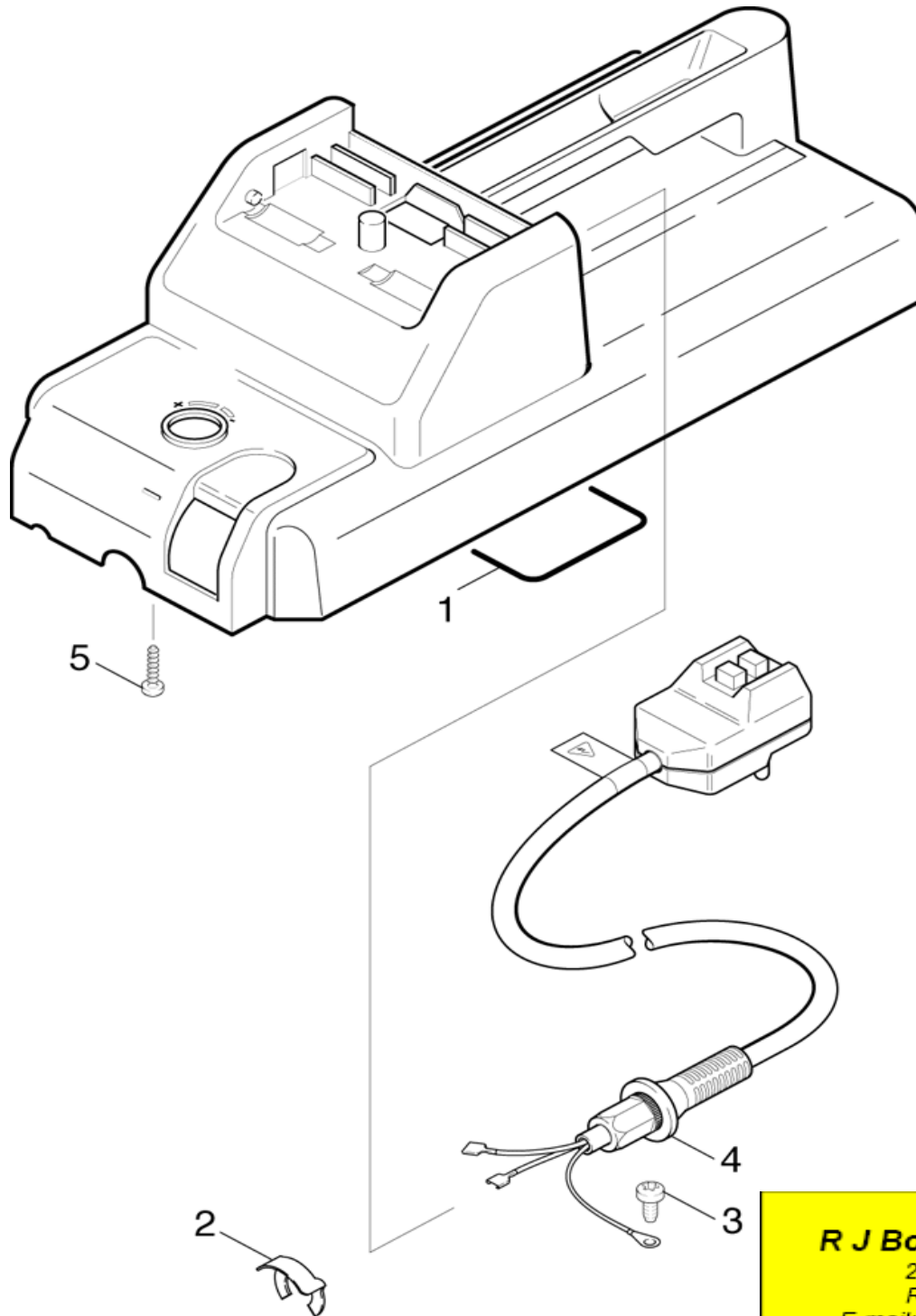
Location	PN	DESCRIPTION	QTY	SERIAL #	
				FROM	TO
<b>PIECE PARTS - 1.1 Top Part</b>					
1	4324-0080	Calipers	1		
2	2882-3510	Cover top part (Length 380mm-400mm)	1		
2	5066-6200	Cover top part (Length 400mm)	1		
3	6631-5500	Water Protection Cover	1		
4	6631-5810	Switch	1		
5	6661-1770	Capacitor	1		
6	6631-5820	Bracket	1		



**R J Bowers Distributors**  
 2003 Harrison Ave  
 Rockford IL 61104  
 E-mail: [service@rjbowers.com](mailto:service@rjbowers.com)  
 Web: [www.rjbowers.com](http://www.rjbowers.com)  
 (815) 399-8839 (800) 383-6584

# PARTS BREAKDOWN FOR K595S (1.855-670.0)

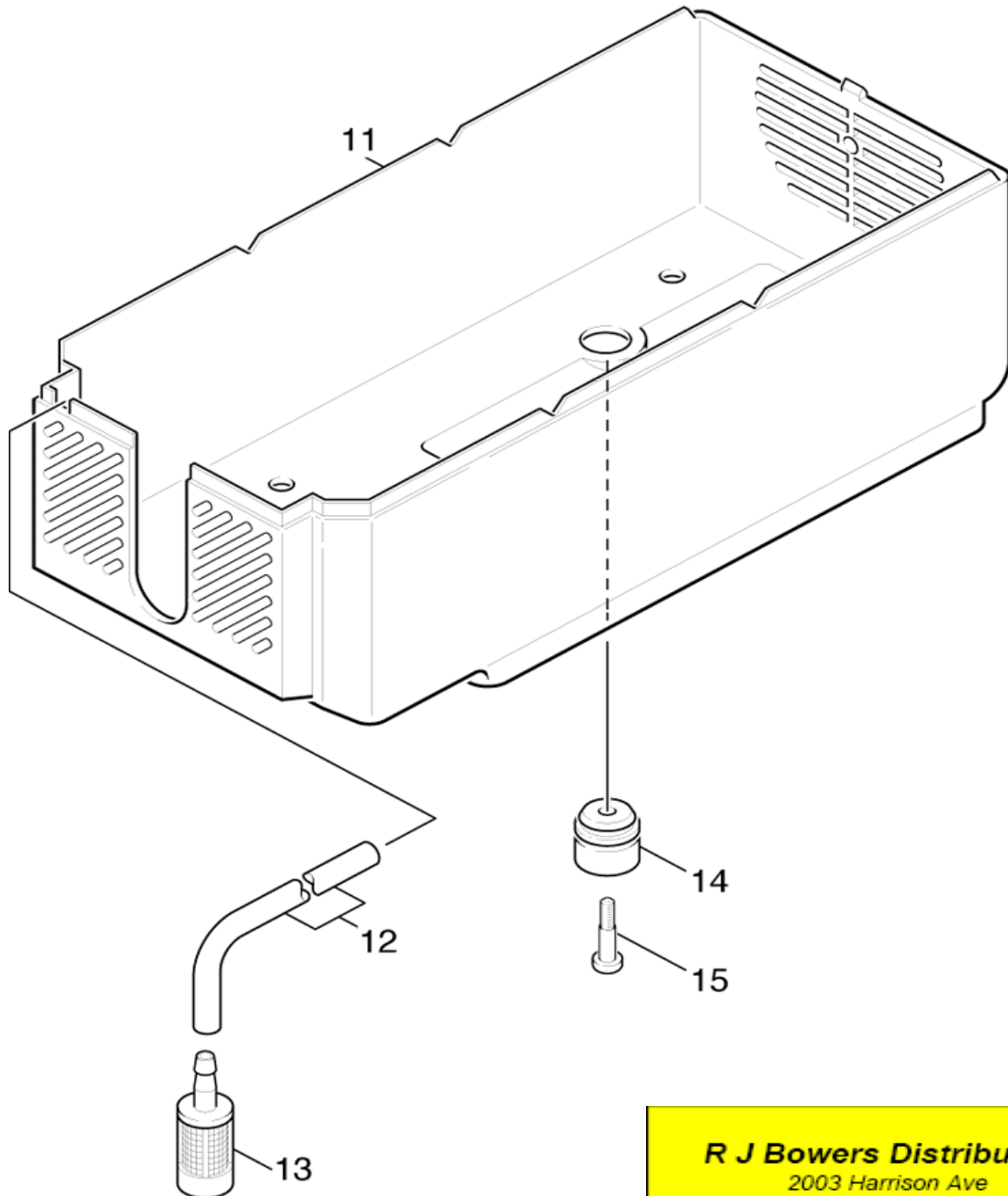
Location	PN	DESCRIPTION	QTY	SERIAL #	
				FROM	TO
<b>PIECE PARTS - 1.2 Cable</b>					
1	5379-0150	Rubber ring	1		
2	6343-1700	Retaining clip	1		
3	7303-0300	Screw M4x8 -St-P2R	1		
4	6647-0090	Cable with GFCI	1		
5	6303-1250	Screw 5x20-Sonder	6		



**R J Bowers Distributors**  
 2003 Harrison Ave  
 Rockford IL 61104  
 E-mail: [service@rjbowers.com](mailto:service@rjbowers.com)  
 Web: [www.rjbowers.com](http://www.rjbowers.com)  
 (815) 399-8839 (800) 383-6584

# PARTS BREAKDOWN FOR K595S (1.855-670.0)

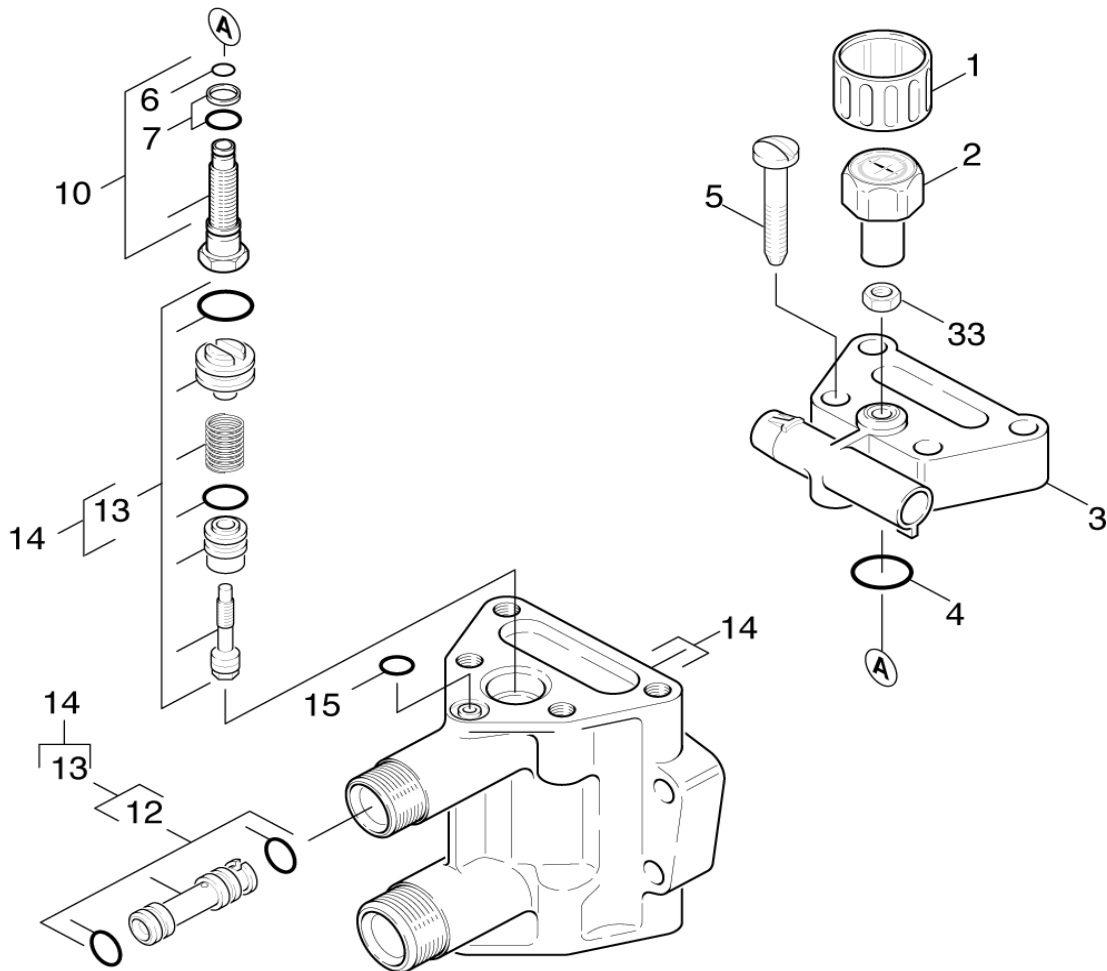
Location	PN	DESCRIPTION	QTY	SERIAL #	
				FROM	TO
<b>PIECE PARTS - 1.3 Bottom</b>					
11	5066-4600	Cover bottom part (Length 400mm)	1		
11	2882-3510	Cover bottom part (Length 380mm-400mm)	1		
12	6388-2160	Hose DN 5	1		
13	5731-6090	Filter with weight	1		
14	5057-0340	Support	3		
15	6303-0840	Oval Head Screw	3		



**R J Bowers Distributors**  
 2003 Harrison Ave  
 Rockford IL 61104  
 E-mail: [service@rjbowers.com](mailto:service@rjbowers.com)  
 Web: [www.rjbowers.com](http://www.rjbowers.com)  
 (815) 399-8839 (800) 383-6584

# PARTS BREAKDOWN FOR K595S (1.855-670.0)

Location	PN	DESCRIPTION	QTY	SERIAL #	
				FROM	TO
<b>PUMP SET - 2.1 Cylinder Head</b>					
1	5321-3060	Handhold	1		
2	6421-2020	Manometer	1		
3	5060-3530	Cover Housing	1		
4	6362-6660	O-Ring Seal 17.17x1.78	1		
5	6303-1440	Screw St-A2E	4		
6	7362-5050	O-Ring Seal 3.75x1.6	1		
7	6362-7190	O-Ring Seal complete	1		
10	4291-0030	Spindle	1		
12	4769-0190	Nozzle Insert K.580°F	1		
13	2883-1530	Unloader (Spill) Valve	1		
14	4550-1610	Cylinder Head	1		
15	6362-1010	O-Ring Seal 8.0x2.0	1		
33	6310-0580	Hexagon Nut M 8x0.75	1		
100	2883-2050	Pump Rebuild Kit (Spare Parts Set)	1		

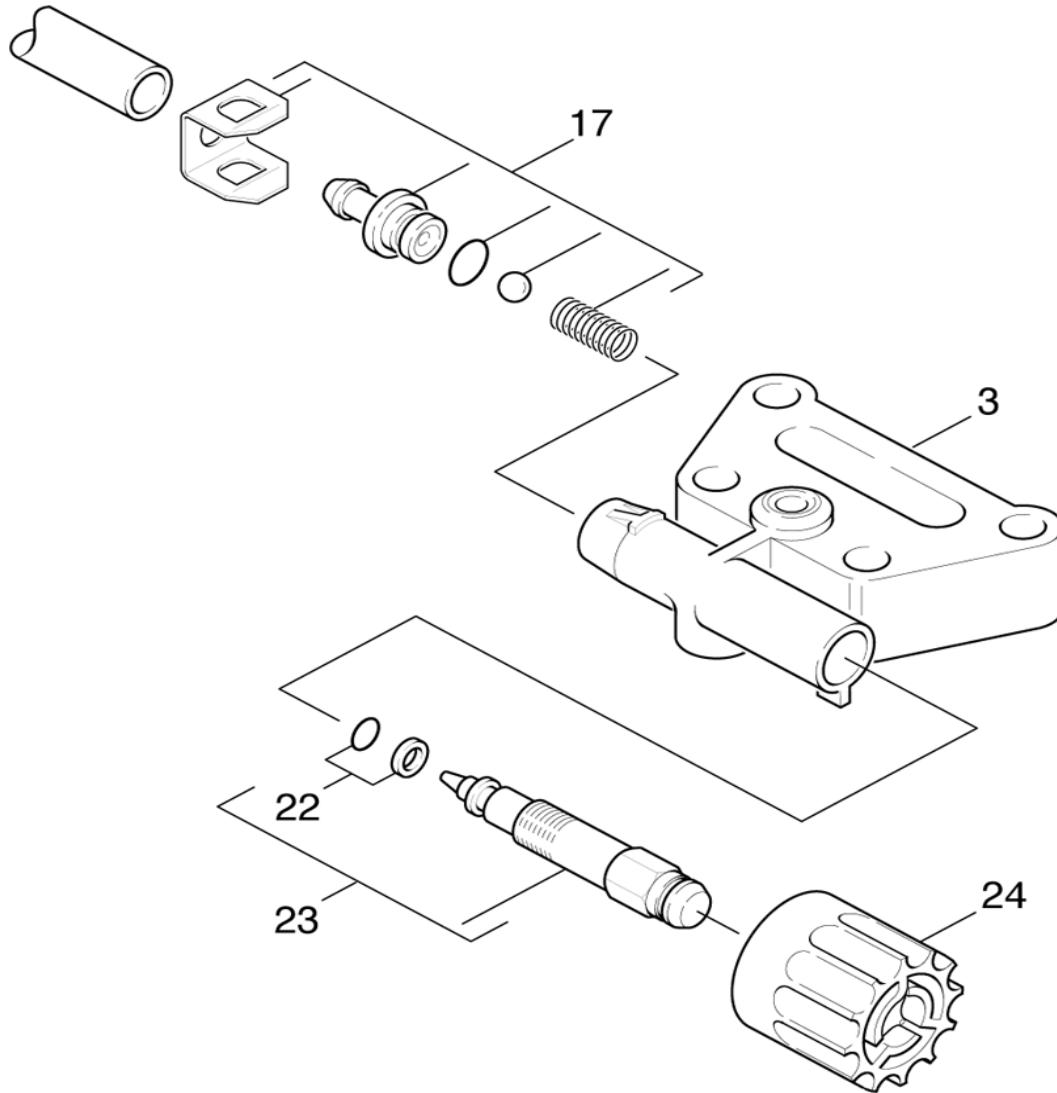


## R J Bowers Distributors

2003 Harrison Ave  
 Rockford IL 61104  
 E-mail: [service@rjbowers.com](mailto:service@rjbowers.com)  
 Web: [www.rjbowers.com](http://www.rjbowers.com)  
 (815) 399-8839 (800) 383-6584

# PARTS BREAKDOWN FOR K595S (1.855-670.0)

Location	PN	DESCRIPTION	QTY	SERIAL #	
				FROM	TO
<b>PUMP SET - 2.2 Chemistry</b>					
3	5060-3530	Cover housing	1		
17	2883-1580	Detergent Inlet Assembly (Spare Parts Set)	1		
22	6362-3680	O-Ring seal complete	1		
23	4291-0040	Spindle	1		
24	5321-3050	Handhold	1		



## **R J Bowers Distributors**

2003 Harrison Ave  
Rockford IL 61104

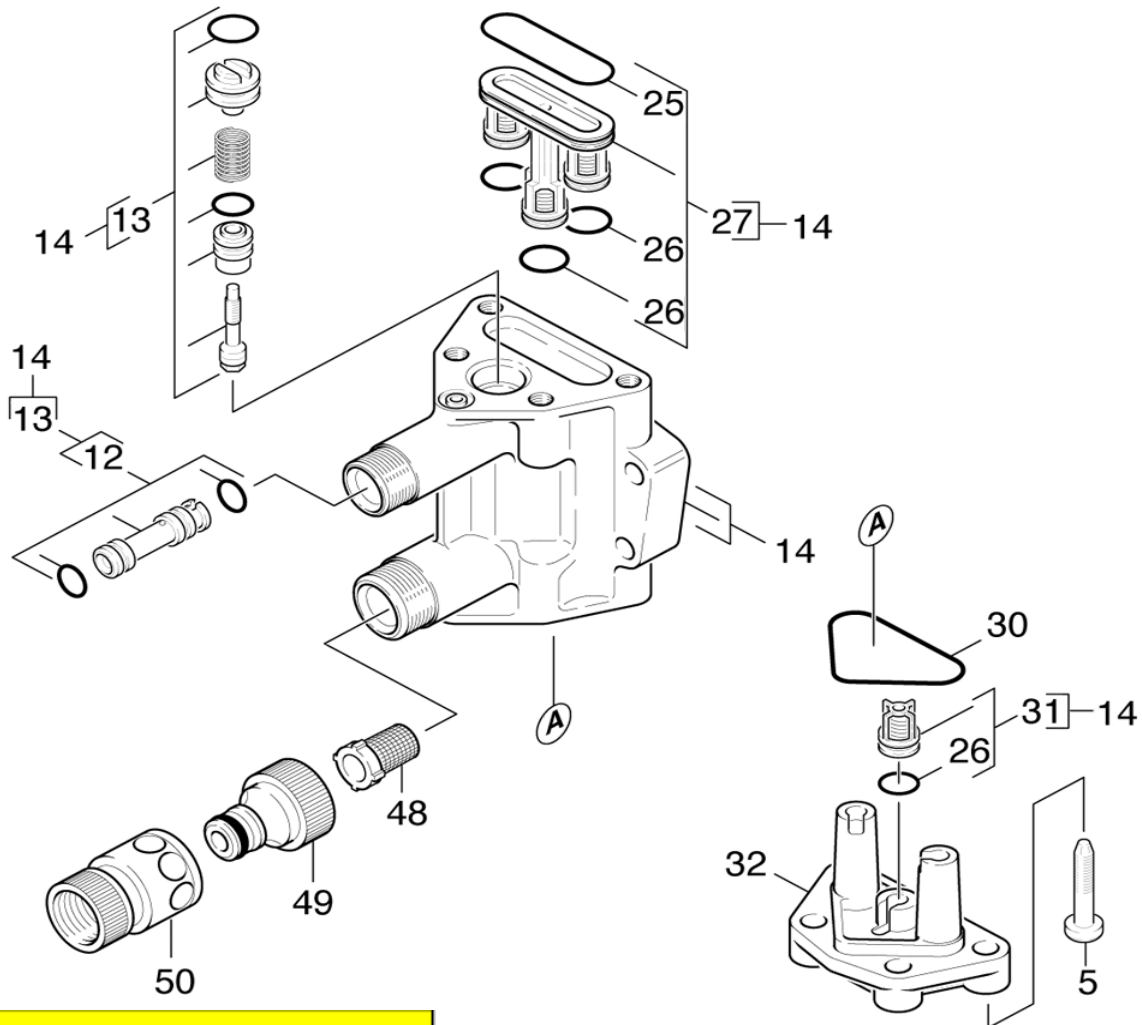
E-mail: [service@rjbowers.com](mailto:service@rjbowers.com)

Web: [www.rjbowers.com](http://www.rjbowers.com)

(815) 399-8839 (800) 383-6584

# PARTS BREAKDOWN FOR K595S (1.855-670.0)

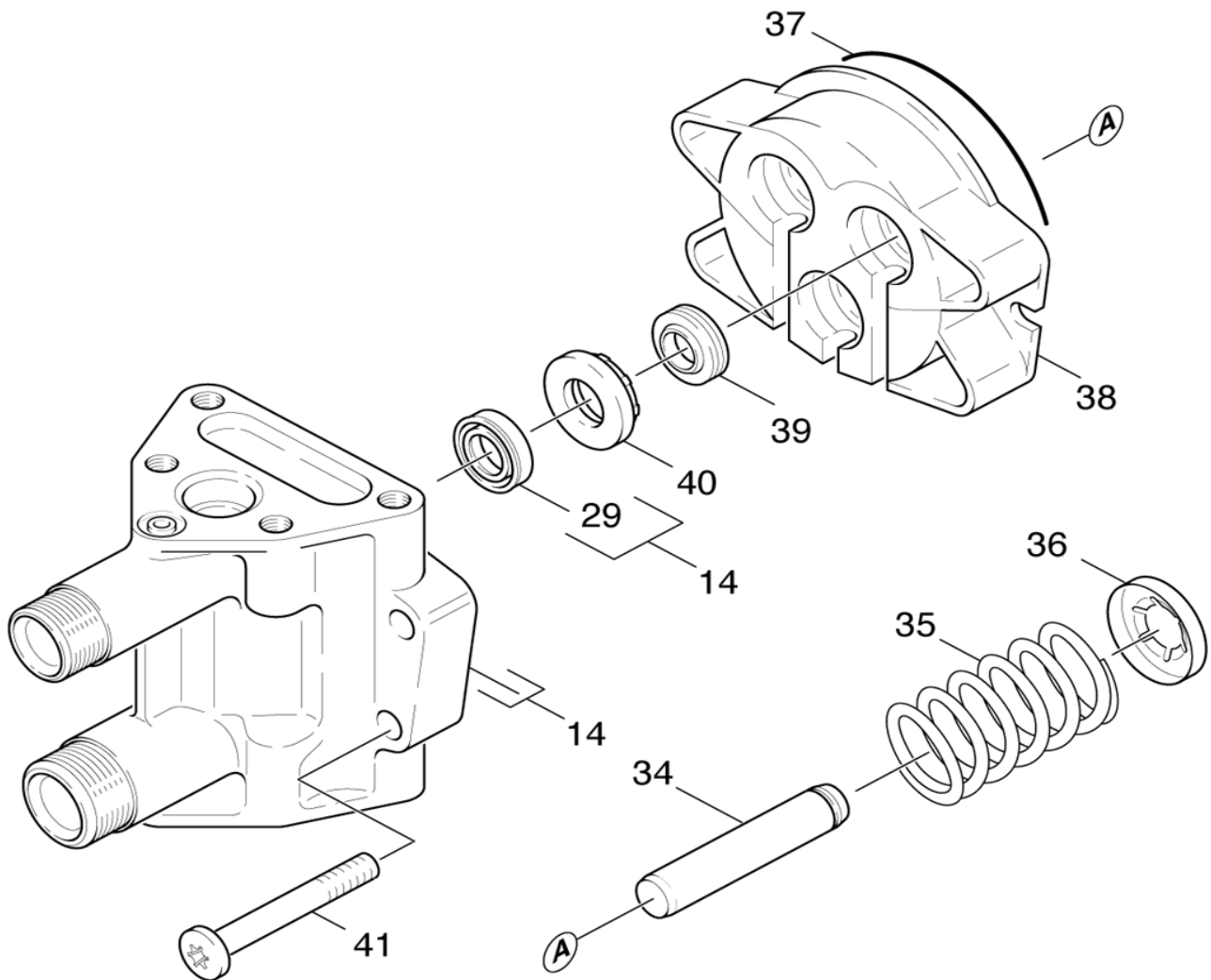
Location	PN	DESCRIPTION	QTY	SERIAL #	
				FROM	TO
<b>PUMP SET - 2.3 Valves</b>					
5	6303-1440	Screw St-A2E	4		
12	4769-0190	Nozzle insert K.580*F	1		
13	2883-1530	Unloader (Spill) Valve	1		
14	4550-1610	Cylinder Head	1		
25	6362-7980	O-Ring Seal 31.0x2.5	1		
26	6362-7280	Gasket	3		
26	6362-0770	O-Ring Seal 10.0x2.2	6		
27	4580-1960	Pressure valve	1		
31	2884-8740	Valve (3 Pack)	1		
32	5091-8670	Housing suction cover	1		
48	6414-2520	Strainer	1		
49	6389-8700	Connection 3/4"	1		
50	9083-0030	Hose coupling	1		
100	2883-2050	Pump Rebuild Kit (Spare Parts Set)	1		



**R J Bowers Distributors**  
 2003 Harrison Ave  
 Rockford IL 61104  
 E-mail: [service@rjbowers.com](mailto:service@rjbowers.com)  
 Web: [www.rjbowers.com](http://www.rjbowers.com)  
 (815) 399-8839 (800) 383-6584

# PARTS BREAKDOWN FOR K595S (1.855-670.0)

Location	PN	DESCRIPTION	QTY	SERIAL #	
				FROM	TO
<b>PUMP SET - 2.4 Piston</b>					
14	4550-1610	Cylinder Head	1		
29	6365-3410	Water Seal / U and V Ring	3		
34	5553-2500	Piston	3		
35	5332-2510	Coil Spring	3		
36	5030-6250	Piston Retainer Cap / Lock Washer	3		
37	6362-4710	O-Ring Seal 80.0x3.0	1		
38	5060-3490	Housing Thrust Guidance	1		
39	6365-3400	Oil Seal / Grooved Ring 14x22x5/7	3		
40	5115-4710	Washer	3		
41	7306-1480	Screw M8x60 -8.8-R3R	4		



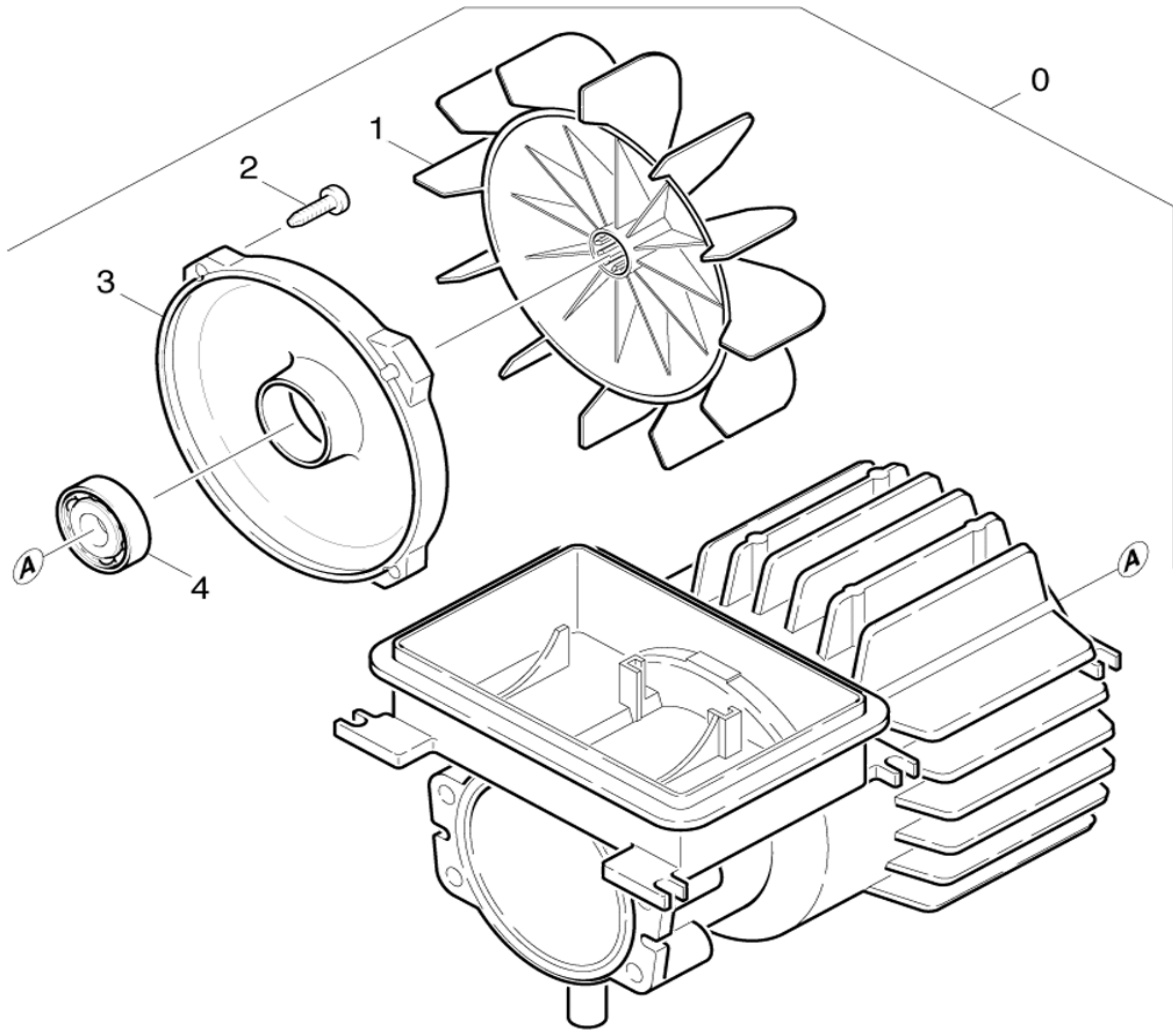
## R J Bowers Distributors

2003 Harrison Ave  
 Rockford IL 61104  
 E-mail: [service@rjbowers.com](mailto:service@rjbowers.com)  
 Web: [www.rjbowers.com](http://www.rjbowers.com)  
 (815) 399-8839 (800) 383-6584



# PARTS BREAKDOWN FOR K595S (1.855-670.0)

Location	PN	DESCRIPTION	QTY	SERIAL #	
				FROM	TO
<b>MOTOR - 3.1 Piece Parts</b>					
0	4623-1320	Motor (Length 380mm)	1		
0	7777-9990	Motor (Length 400mm)	1		
1	5600-0330	Blower Wheel (Length 400mm)	1		
1	5600-0260	Running Wheel (Length 380mm)	1		
2	7303-0410	Screw M5x20	4		
3	5063-4200	Cover B-Lager	1		
4	7401-1540	Ball bearing 6002-2RS	1		



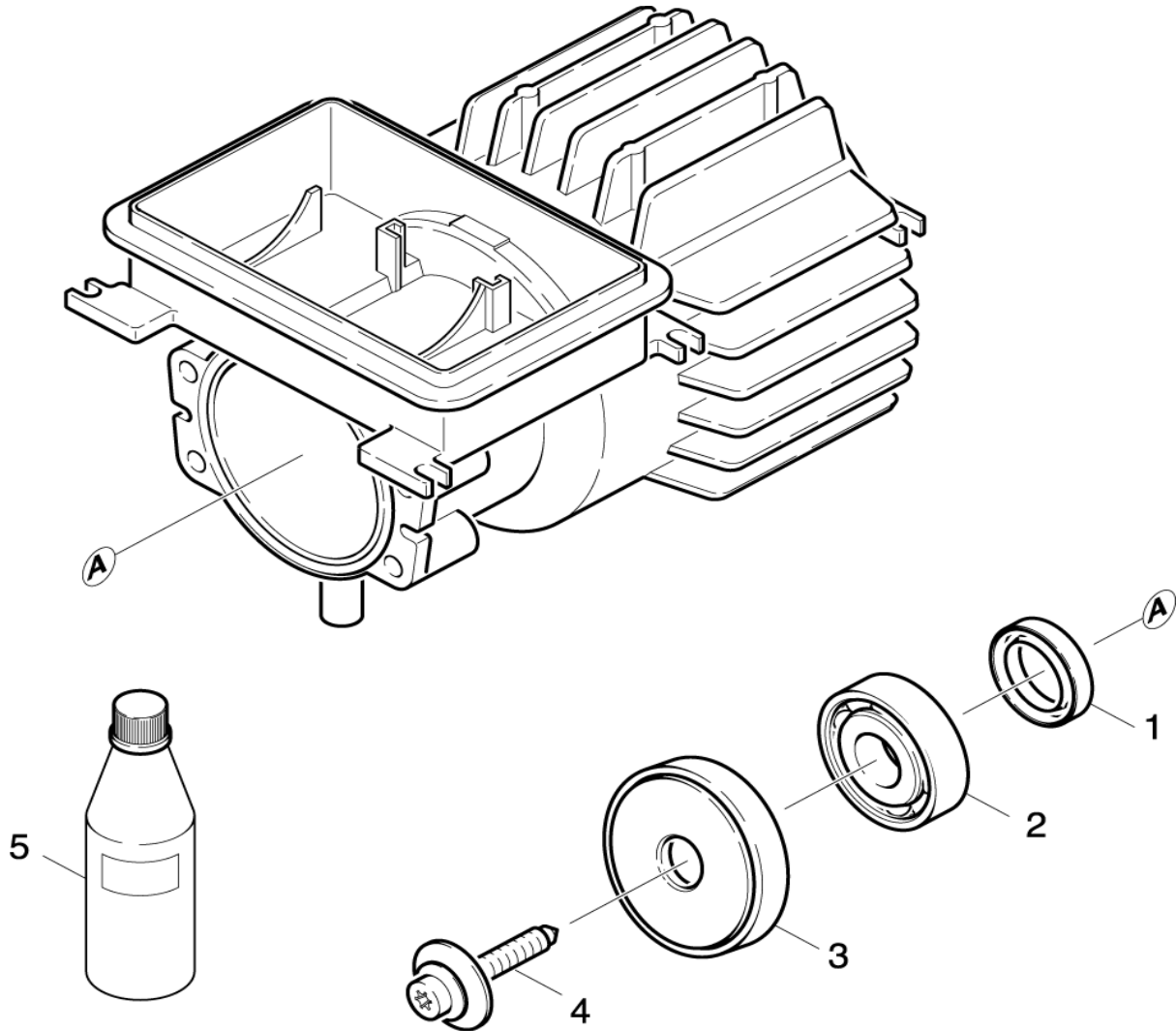
## R J Bowers Distributors

2003 Harrison Ave  
 Rockford IL 61104  
 E-mail: [service@rjbowers.com](mailto:service@rjbowers.com)  
 Web: [www.rjbowers.com](http://www.rjbowers.com)  
 (815) 399-8839 (800) 383-6584



# PARTS BREAKDOWN FOR K595S (1.855-670.0)

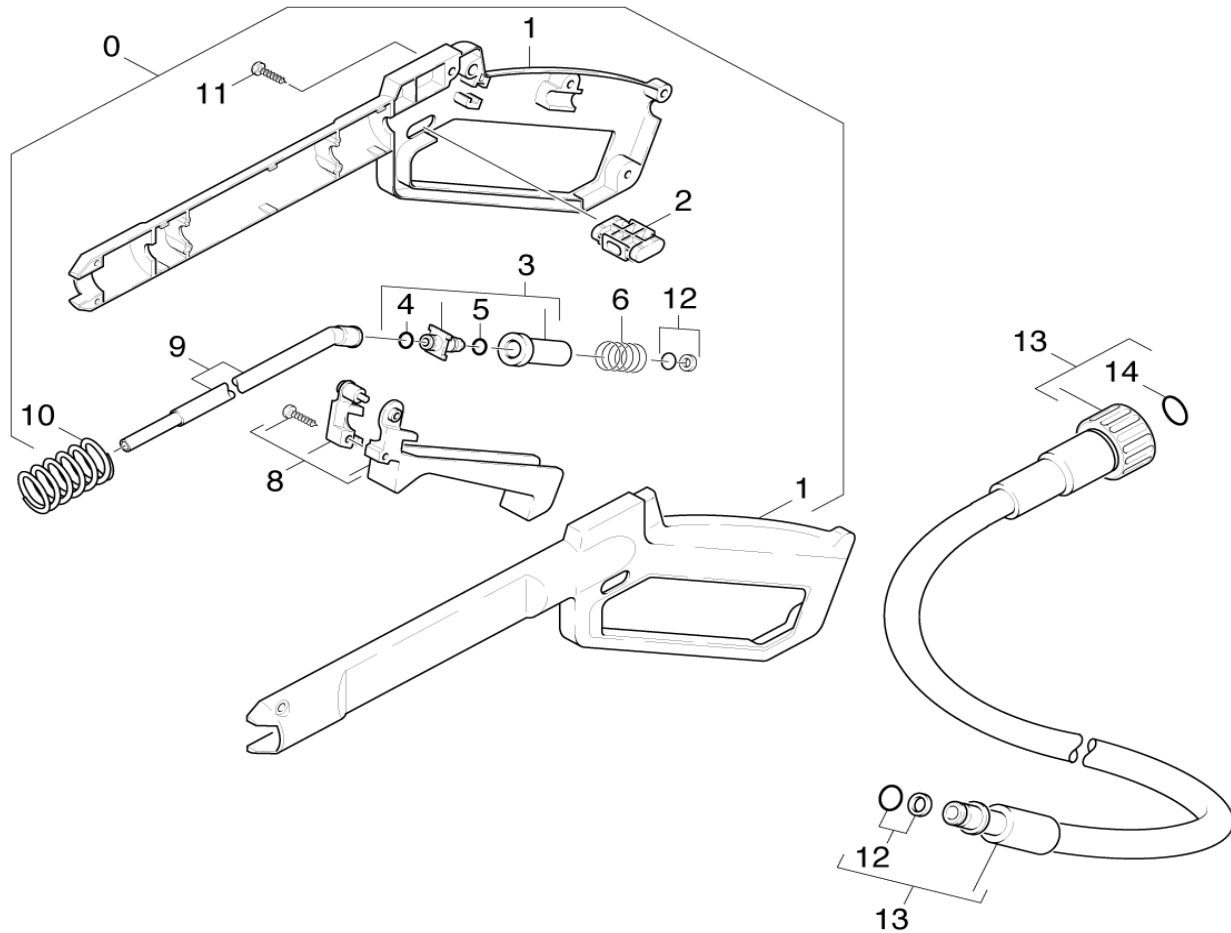
Location	PN	DESCRIPTION	QTY	SERIAL #	
				FROM	TO
<b>MOTOR - 3.2 Actuation</b>					
0	7777-9990	Motor (Length 400mm)	1		
0	4623-1320	Motor (Length 380mm)	1		
1	7367-0180	Radial Shaft Seal Ring A26x37x7	1		
2	9087-0100	Ball Bearing	1		
3	6401-1970	Swash Plate	1		
4	6304-0480	Cylinder Head Screw M6x19	1		
5	6288-0500	Pump Oil 1L (15w-40)	1		



**R J Bowers Distributors**  
 2003 Harrison Ave  
 Rockford IL 61104  
 E-mail: [service@rjbowers.com](mailto:service@rjbowers.com)  
 Web: [www.rjbowers.com](http://www.rjbowers.com)  
 (815) 399-8839 (800) 383-6584

# PARTS BREAKDOWN FOR K595S (1.855-670.0)

Location	PN	DESCRIPTION	QTY	SERIAL #	
				FROM	TO
<b>ACCESSORIES - 4.1 Trigger Gun</b>					
0	7777-9990	Trigger Gun Complete	1		
1	7777-9990	Stockpiling discontinued	1		
2	5030-6200	Moulded part	1		
3	4582-0080	Valve Disk	1		
4	6362-1820	O-Ring Seal 7.65x1.78	1		
5	6362-6580	O-Ring Seal 7.0x1.5	1		
6	5332-2480	Coil Spring	1		
8	7777-9990	Stockpiling discontinued	1		
9	7777-9990	Stockpiling discontinued	1		
10	5332-2470	Helical spring	1		
11	6303-1220	M4 .2X13 DIN 7981 Torx T15	6		
12	6363-1150	O-Ring Seal complete	1		
13	6389-5550	High pressure hose 15MPa 9m	1		
14	2880-9900	O-Ring Seal 10.0x2.0 (5-Pack)	1		

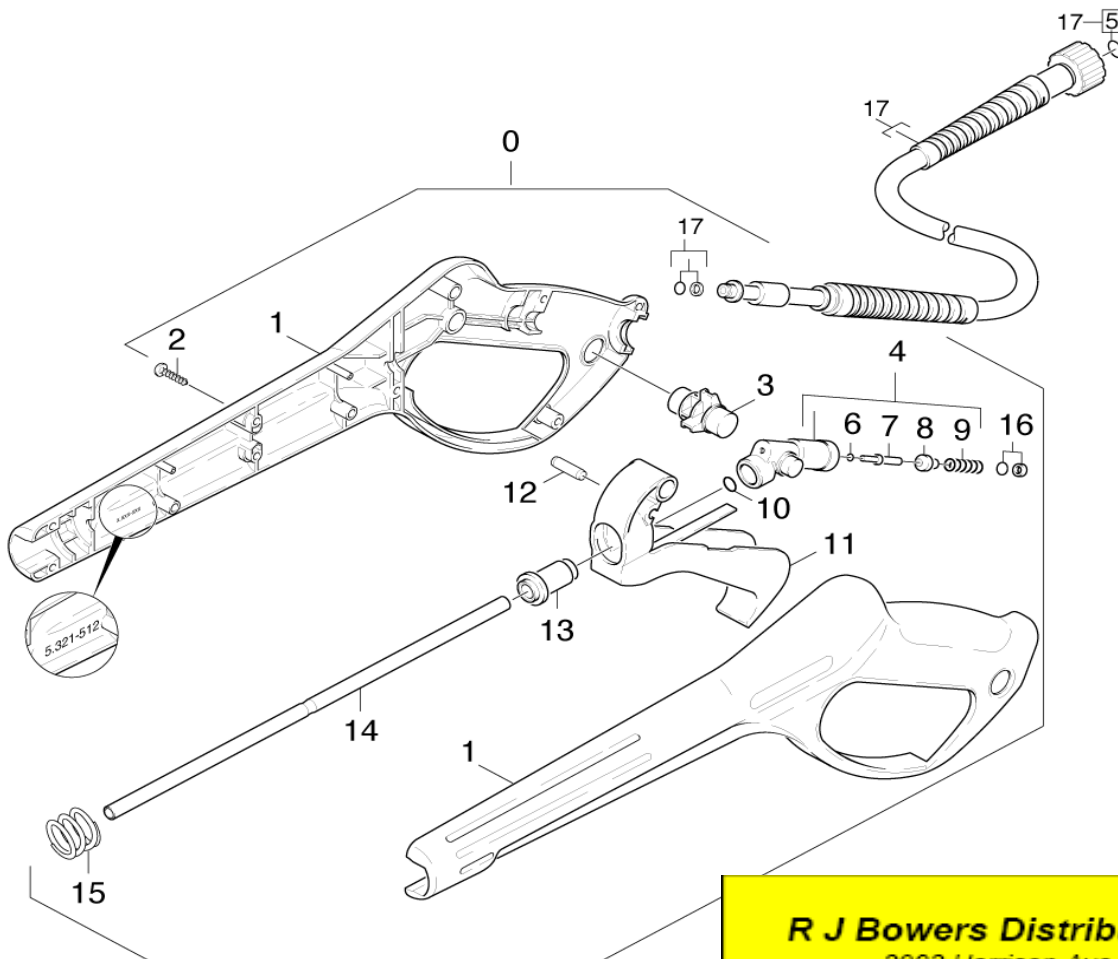


## R J Bowers Distributors

2003 Harrison Ave  
 Rockford IL 61104  
 E-mail: [service@rjbowers.com](mailto:service@rjbowers.com)  
 Web: [www.rjbowers.com](http://www.rjbowers.com)  
 (815) 399-8839 (800) 383-6584

# PARTS BREAKDOWN FOR K595S (1.855-670.0)

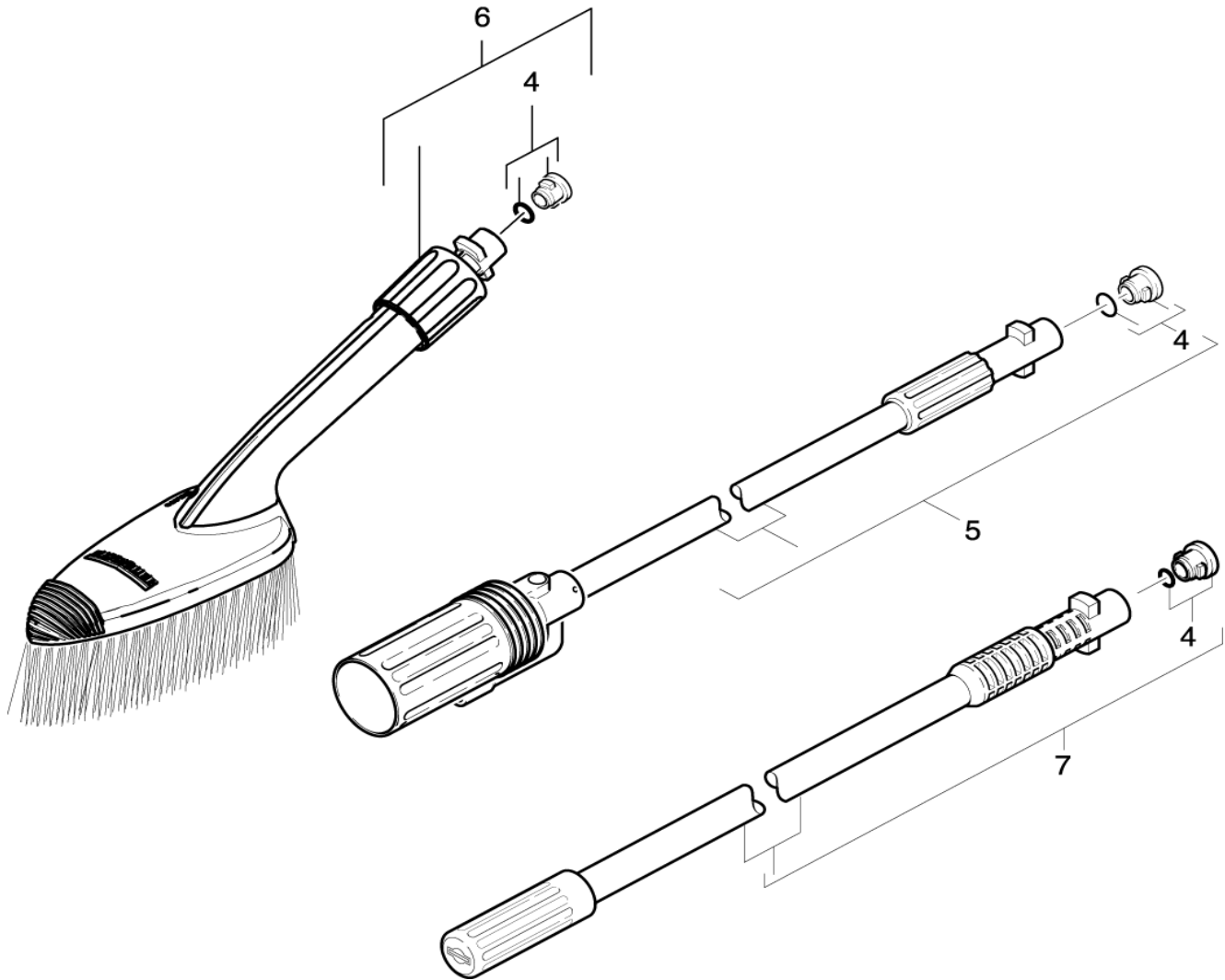
Location	PN	DESCRIPTION	QTY	SERIAL #	
				FROM	TO
<b>ACCESSORIES - 4.2 Trigger Gun</b>					
0	4775-2640	TRIGGER GUN	1		
1	5321-5120	Handhold few	1		
2	6303-1220	M4 .2x13 DIN 7981 Torx T15	9		
3	5481-1890	Lever	1		
4	4427-1780	Manifolds	1		
5	2880-9900	O-Ring Seal 10.0x2.0 (5-Pack)	1		
6	7362-5020	O-Ring Seal 2.8x1.6	1		
7	5107-1470	Bar	1		
8	5582-0580	Valve dDsc	1		
9	5332-1570	Helical spring	1		
10	6362-4790	O-Ring Seal 7.59x2.62	1		
11	4481-1050	Lever	1		
12	5314-0820	Pin	1		
13	5110-5390	Sleeve	1		
14	5028-9050	Pipe	1		
15	5332-3490	Pressure spring	1		
16	6363-1150	O-Ring Seal complete	1		
17	6389-5550	High pressure hose 15MPa 9m	1		



**R J Bowers Distributors**  
 2003 Harrison Ave  
 Rockford IL 61104  
 E-mail: [service@rjbowers.com](mailto:service@rjbowers.com)  
 Web: [www.rjbowers.com](http://www.rjbowers.com)  
 (815) 399-8839 (800) 383-6584

# PARTS BREAKDOWN FOR K595S (1.855-670.0)

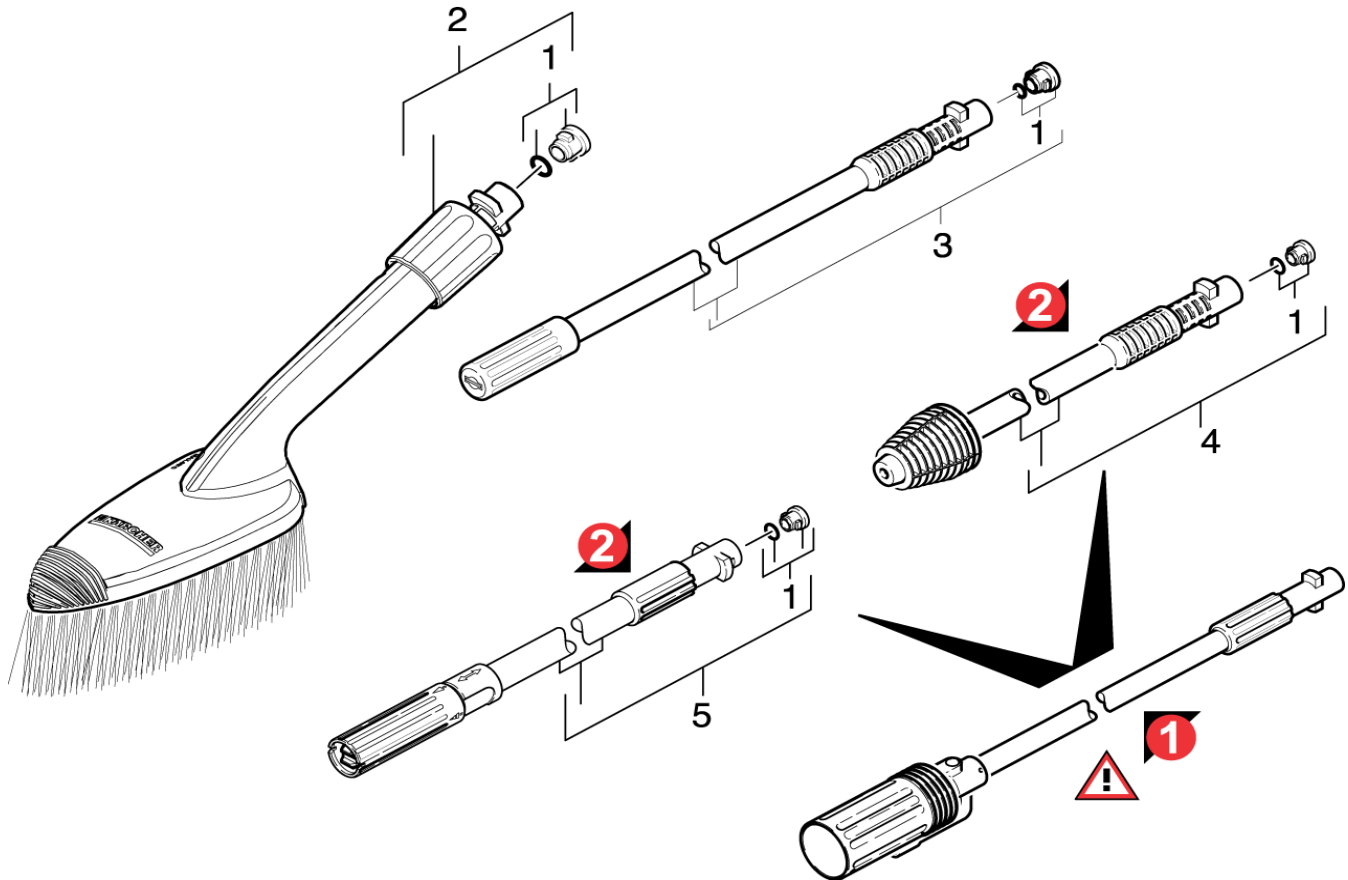
Location	PN	DESCRIPTION	QTY	SERIAL #	
				FROM	TO
<b>ACCESSORIES - 4.3 Jet Pipe</b>					
4	2640-7290	O-Ring seal set	1		
5	4763-2310	Rotor nozzle	1		
6	2640-5890	Brush lengthwise	1		
7	4760-2640	Jet Pipe	1		



**R J Bowers Distributors**  
 2003 Harrison Ave  
 Rockford IL 61104  
 E-mail: [service@rjbowers.com](mailto:service@rjbowers.com)  
 Web: [www.rjbowers.com](http://www.rjbowers.com)  
 (815) 399-8839 (800) 383-6584

# PARTS BREAKDOWN FOR K595S (1.855-670.0)

Location	PN	DESCRIPTION	QTY	SERIAL #	
				FROM	TO
<b>ACCESSORIES - 4.4 Jet Pipe</b>					
1	2640-7290	O-Ring Seal set	4		
2	2640-5890	Brush lengthwise	1		
3	4760-2640	Jet Pipe	1		
4	4763-2310	Rotor Nozzle	1		
5	4760-2660	Jet Pipe	1		



## R J Bowers Distributors

2003 Harrison Ave  
Rockford IL 61104

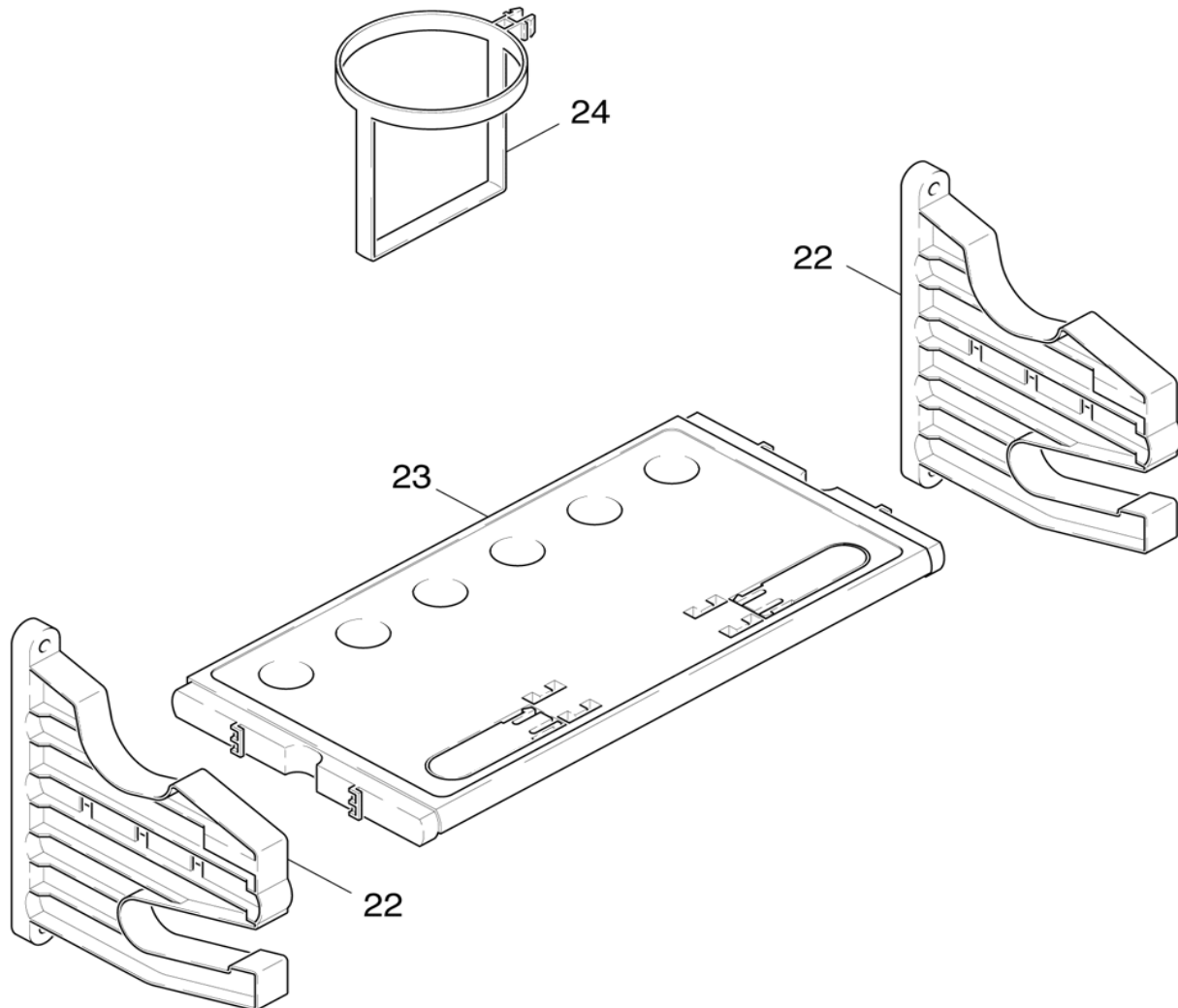
E-mail: [service@rjbowers.com](mailto:service@rjbowers.com)

Web: [www.rjbowers.com](http://www.rjbowers.com)

(815) 399-8839 (800) 383-6584

# PARTS BREAKDOWN FOR K595S (1.855-670.0)

Location	PN	DESCRIPTION	QTY	SERIAL #	
				FROM	TO
<b>ACCESSORIES - 4.5 Wall Fastener</b>					
22	5042-4480	Holder	2		
23	5053-0160	Bracket	1		
24	5042-5010	Holder	1		



## **R J Bowers Distributors**

2003 Harrison Ave  
Rockford IL 61104

E-mail: [service@rjbowers.com](mailto:service@rjbowers.com)

Web: [www.rjbowers.com](http://www.rjbowers.com)

(815) 399-8839 (800) 383-6584