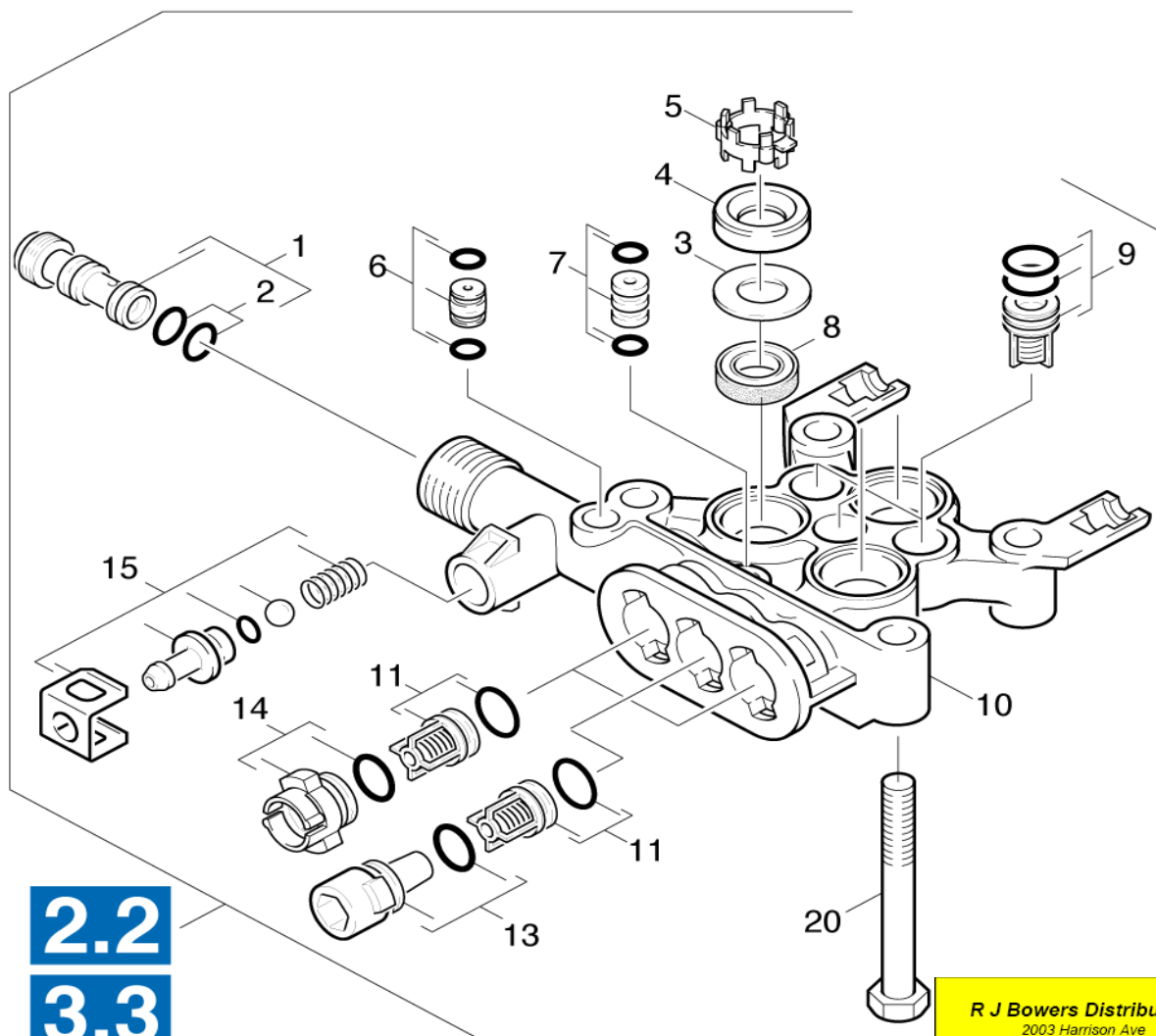


PARTS BREAKDOWN FOR K4400G (1.133-208.0)

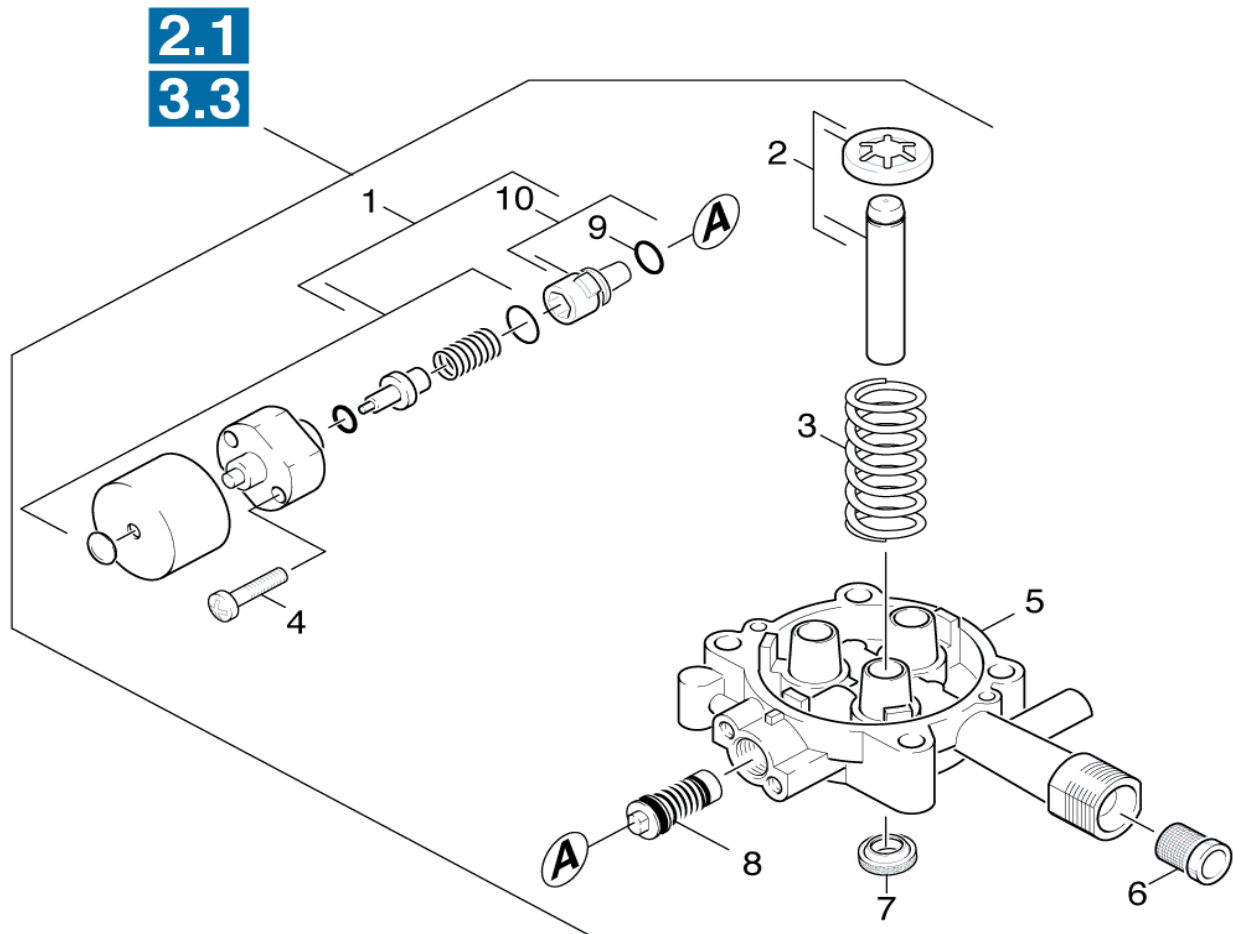
Location	PN	DESCRIPTION	QTY	SERIAL #	
				FROM	TO
PUMP SET - Cylinder Head 2.1					
0	3532-8320A	Complete Replacement Pump	1		
1	4769-0340	Nozzle Insert only for replacement	1		
2	6362-3840	O-Ring Seal 9.0x1.5	2		
3	5115-7210	Washer	3		
4	5115-7200	Washer	3		
5	5110-7070	Sleeve	3		
6	4030-1090	Throttle complete	1		
7	4030-0450	Joining Piece	1		
8	6365-3940	Grooved Ring (Water Seal)	3		
9	4580-3300	Valve	3		
10	5550-2600	Cylinder head	1		
11	2884-8730	Valve (3 Pack)	3		
13	4132-0110	Plug (Inside / Middle)	1		
14	4132-0100	Plug (Outside / End)	2		
15	2883-1580	Detergent Inlet Assembly (Spare Part Set)	1		
20	7304-0970	Hexagonal head screw M8x70-8.8-A2E	1		
100	2884-2050	Rebuild Kit (Spare Parts Set)	1		



R J Bowers Distributors
 2003 Harrison Ave
 Rockford IL 61104
 E-mail: service@rjbowers.com
 Web: www.rjbowers.com
 (815) 399-8839 (800) 383-6564

PARTS BREAKDOWN FOR K4400G (1.133-208.0)

Location	PN	DESCRIPTION	QTY	SERIAL #	
				FROM	TO
PUMP SET - Piston 2.2					
1	4580-3600	Thermal Valve	1		
2	4553-1730	Piston	3		
3	5332-3910	Pressure Spring	3		
4	7303-0660	Screw M6x30	2		
5	5060-6420	Piston Guidance	1		
6	6414-2520	Strainer	1		
7	6365-3930	Grooved Ring / Oil sealing 12x20x4/6	3		
8	4591-0400	Spill Valve (Unloader)	1		



R J Bowers Distributors

2003 Harrison Ave
Rockford IL 61104

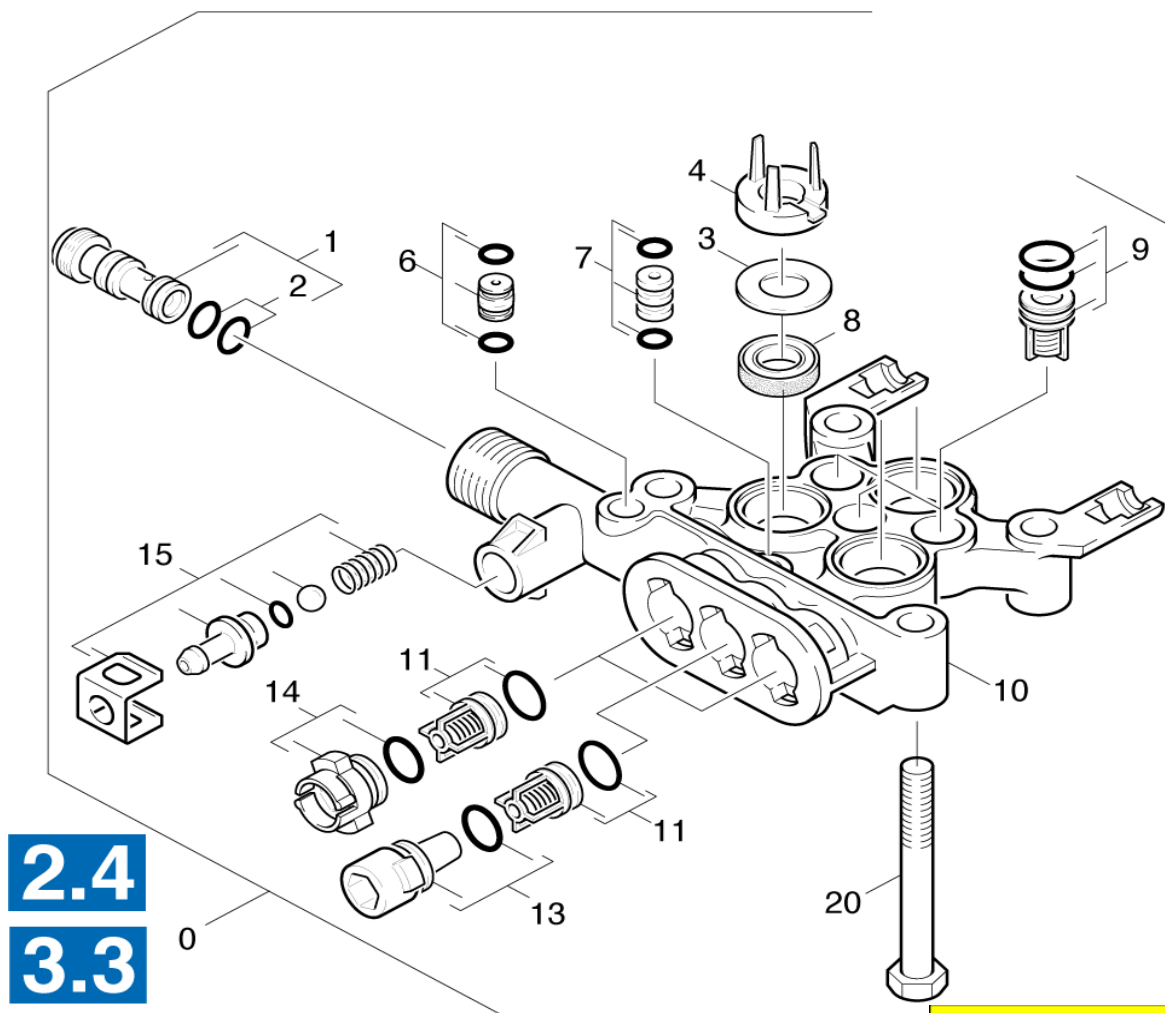
E-mail: service@rjbowers.com

Web: www.rjbowers.com

(815) 399-8839 (800) 383-6584

PARTS BREAKDOWN FOR K4400G (1.133-208.0)

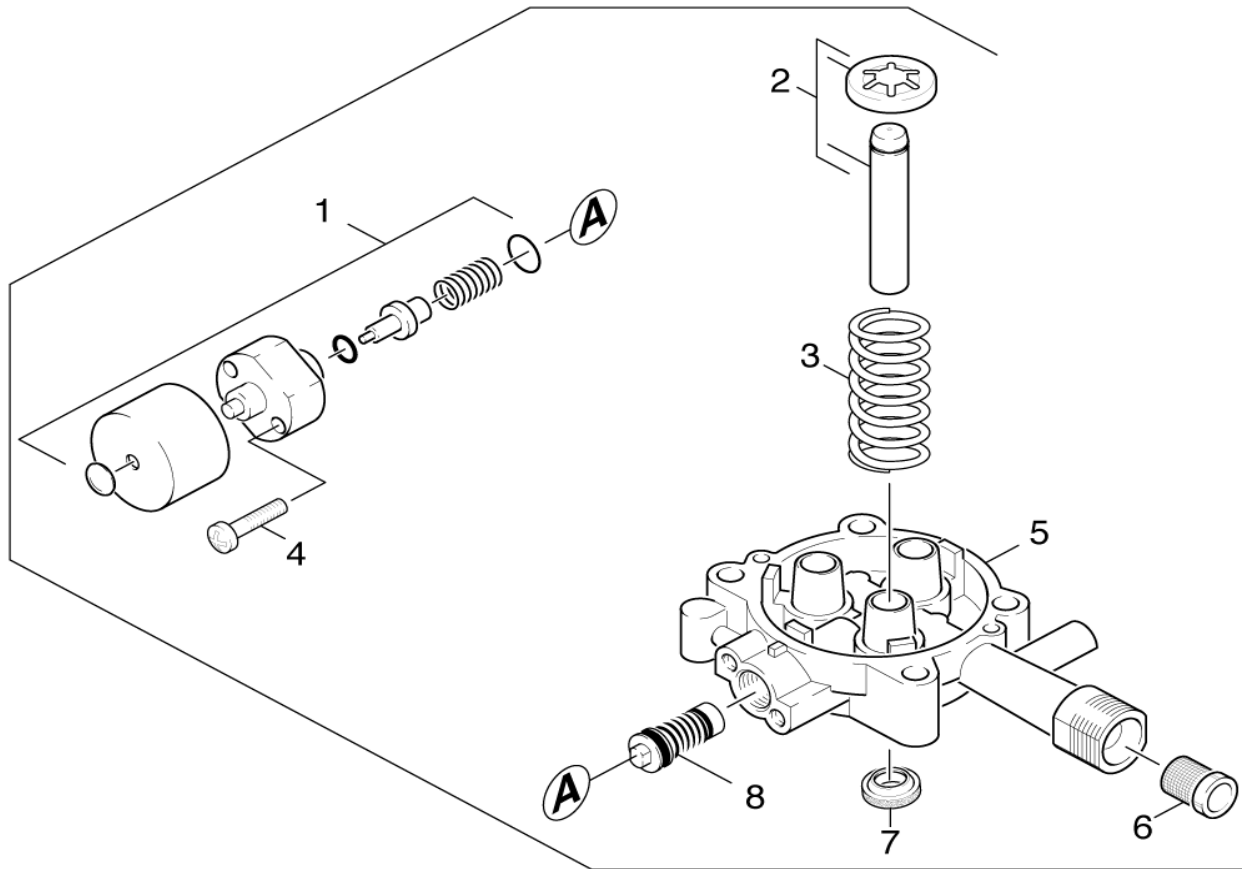
Location	PN	DESCRIPTION	QTY	SERIAL #	
				FROM	TO
PUMP SET - Cylinder Head 2.3					
0	3532-8320A	Complete Replacement Pump	1		
1	4769-0340	Nozzle Insert only for replacement	1		
2	6362-3840	O-Ring Seal 9.x1.5	2		
3	5115-7210	Washer	3		
4	5115-9030	Washer	3		
6	4030-1090	Throttle complete	1		
7	4030-0450	Joining Piece	1		
8	6365-3940	Grooved Ring (Water Seal)	3		
9	4580-3300	Valve	3		
10	5550-2600	Cylinder head	1		
11	2884-8730	Valve (3 Pack)	3		
13	4132-0110	Plug (Inside / Middle)	1		
14	4132-0100	Plug (Outside / End)	2		
15	2883-1580	Detergent Inlet Assembly (Spare Part Set)	1		
20	7304-4080	Hexagonal head screw M 8x80-8.8-A2E	4		
100	2884-2050	Rebuild Kit (Spare Parts Set)	1		



R J Bowers Distributors
 2003 Harrison Ave
 Rockford IL 61104
 E-mail: service@rjbowers.com
 Web: www.rjbowers.com
 (815) 399-8839 (800) 383-6584

PARTS BREAKDOWN FOR K4400G (1.133-208.0)

Location	PN	DESCRIPTION	QTY	SERIAL #	
				FROM	TO
PUMP SET - Piston 2.4					
1	4580-3600	Thermal Valve	1		
2	4553-2150	Piston	3		
3	5332-3910	Pressure Spring	3		
4	7303-0660	Screw M6x30 -St-R3R	2		
5	5060-8380	Piston Guidance	1		
6	6414-2520	Strainer	1		
7	6365-3930	Grooved Ring / Oil sealing 12x20x4/6	3		
8	4591-0400	Spill Valve (Unloader)	1		



R J Bowers Distributors

2003 Harrison Ave
Rockford IL 61104

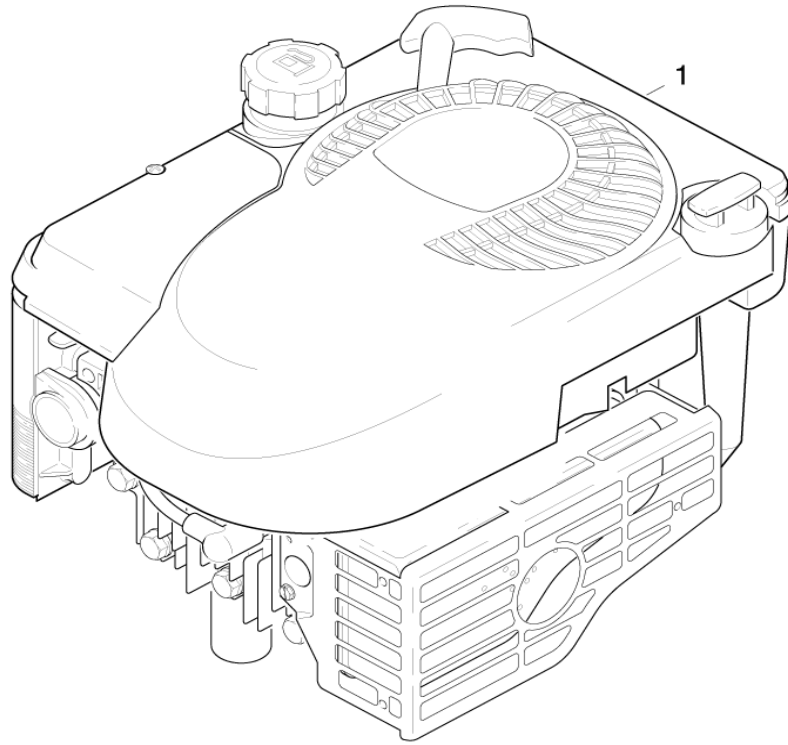
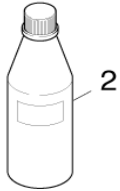
E-mail: service@rjbowers.com

Web: www.rjbowers.com

(815) 399-8839 (800) 383-6584

PARTS BREAKDOWN FOR K4400G (1.133-208.0)

Location	PN	DESCRIPTION	QTY	SERIAL #	
				FROM	TO
MOTOR - 3.1					
1	9194-0300	Briggs & Stratton 6HP Quantum Engine	1		
2	6288-0500	Oil 1 Litre 15w-40 (Pump or Engine)	1		



R J Bowers Distributors

2003 Harrison Ave
Rockford IL 61104

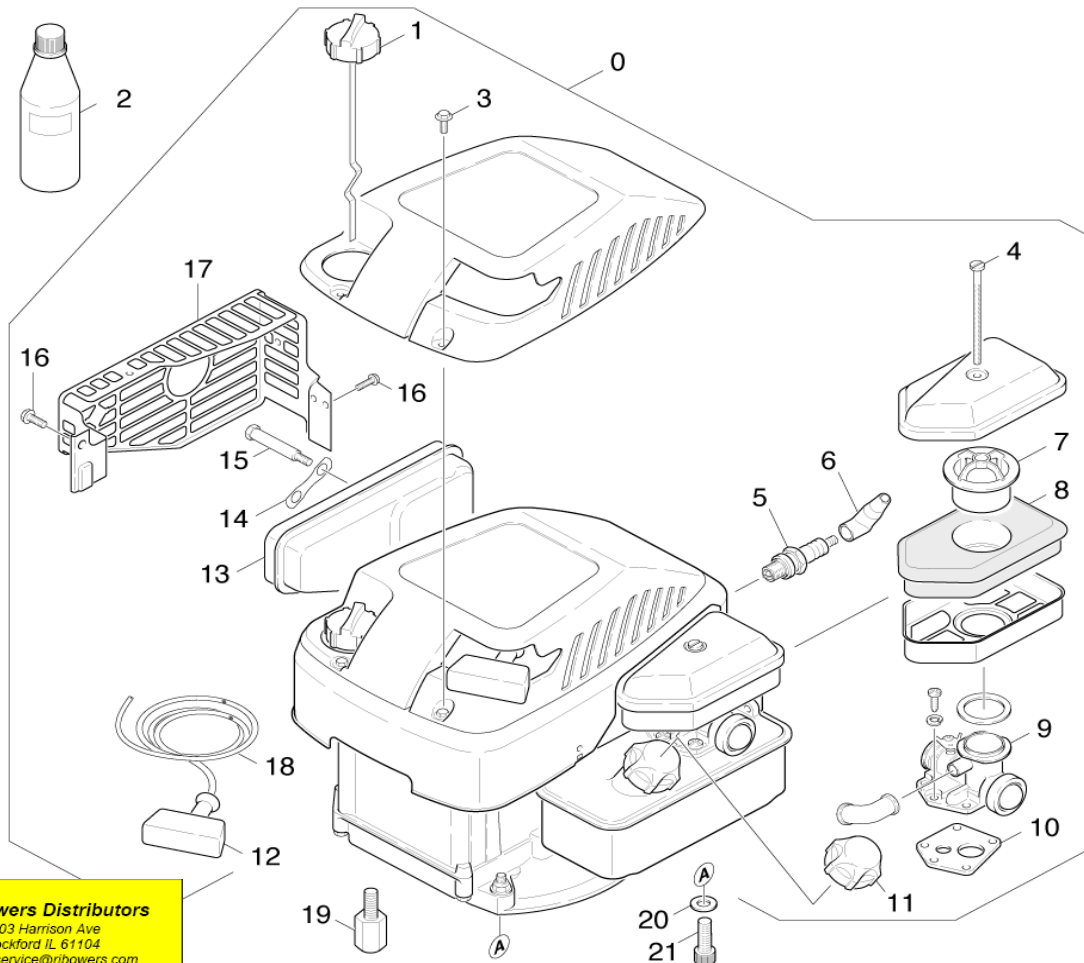
E-mail: service@rjbowers.com

Web: www.rjbowers.com

(815) 399-8839 (800) 383-6584

PARTS BREAKDOWN FOR K4400G (1.133-208.0)

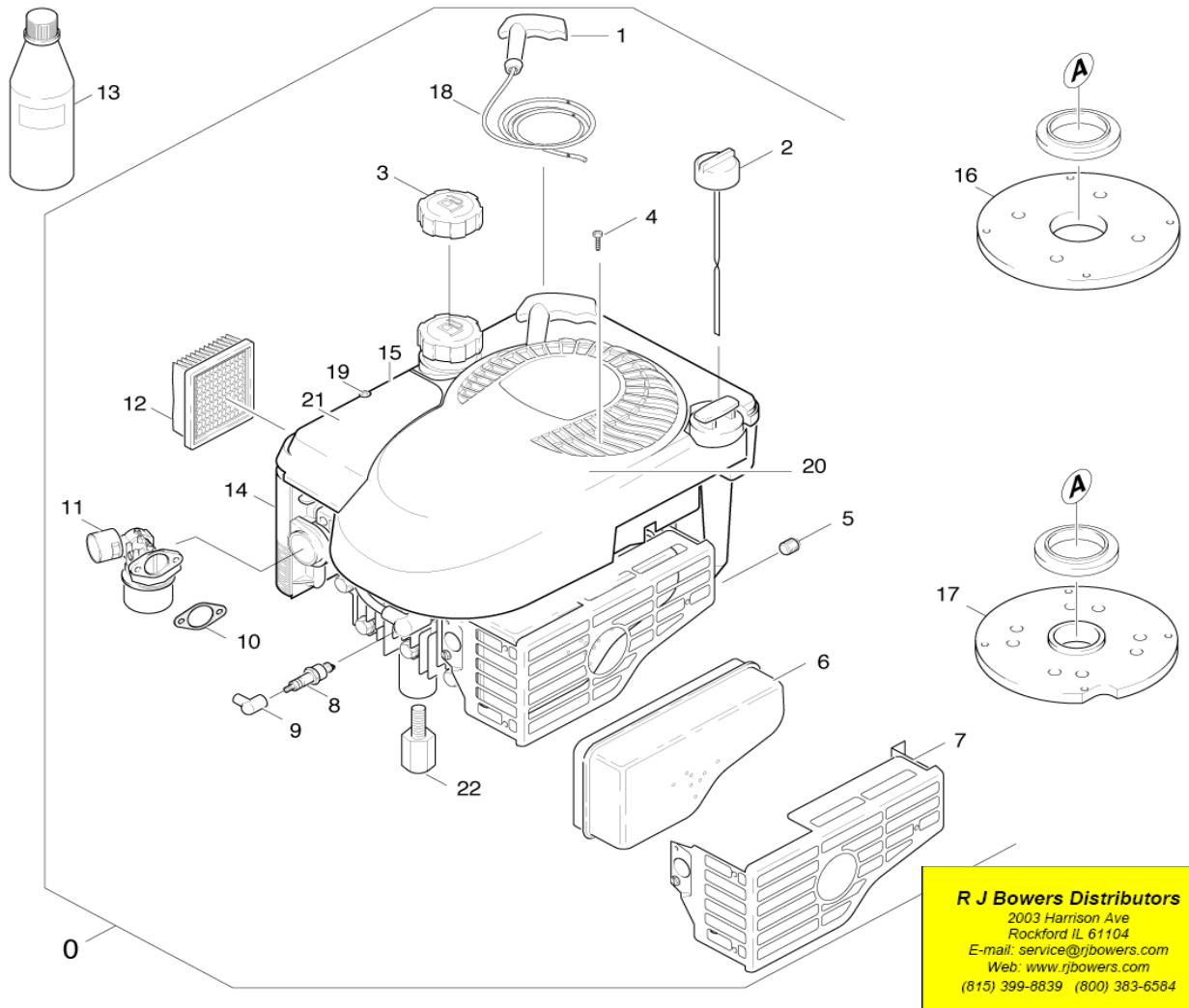
Location	PN	DESCRIPTION	QTY	SERIAL #	
				FROM	TO
MOTOR - 3.2					
0		Complete Engine (Stockpiling discontinued)	1		
1		Oil Dip Rod Cap (Stockpiling discontinued)	1		
2	6288-0500	Oil 1 Litre 15w-40 (Pump or Engine)	1		
3	9194-4580	Screw	2		
4	9194-3630	Screw	1		
5	6951-1920	Ignition Plug	1		
6	6970-1040	Spark Plug Connector	1		
7	9194-4390	Insert	1		
8	6491-4070	Air Filter	1		
9	9194-4520	Carburetor (Briggs & Stratton #498811)	1		
10	9194-4440	Seal	1		
11		Stockpiling discontinued	1		
12	9194-4400	Handle - Starterseil	1		
14	9194-4350	Locking Plate	1		
15	6491-5780	Hexagonal Head Screw	1		
16	9194-3920	Screw	1		
17		Stockpiling discontinued	1		
18	6491-2940	Starter Rope	1		
19	9152-2520	Drive Bolt 7/16" -20UNF-2B	1		
20	5115-6560	5/16" Split Lock Washer	4		
21	6965-0070	Bolt 5/16-24x1 Gr5	4		



R J Bowers Distributors
 2003 Harrison Ave
 Rockford IL 61104
 E-mail: service@rjbowers.com
 Web: www.rjbowers.com
 (615) 399-8839 (800) 383-6564

PARTS BREAKDOWN FOR K4400G (1.133-208.0)

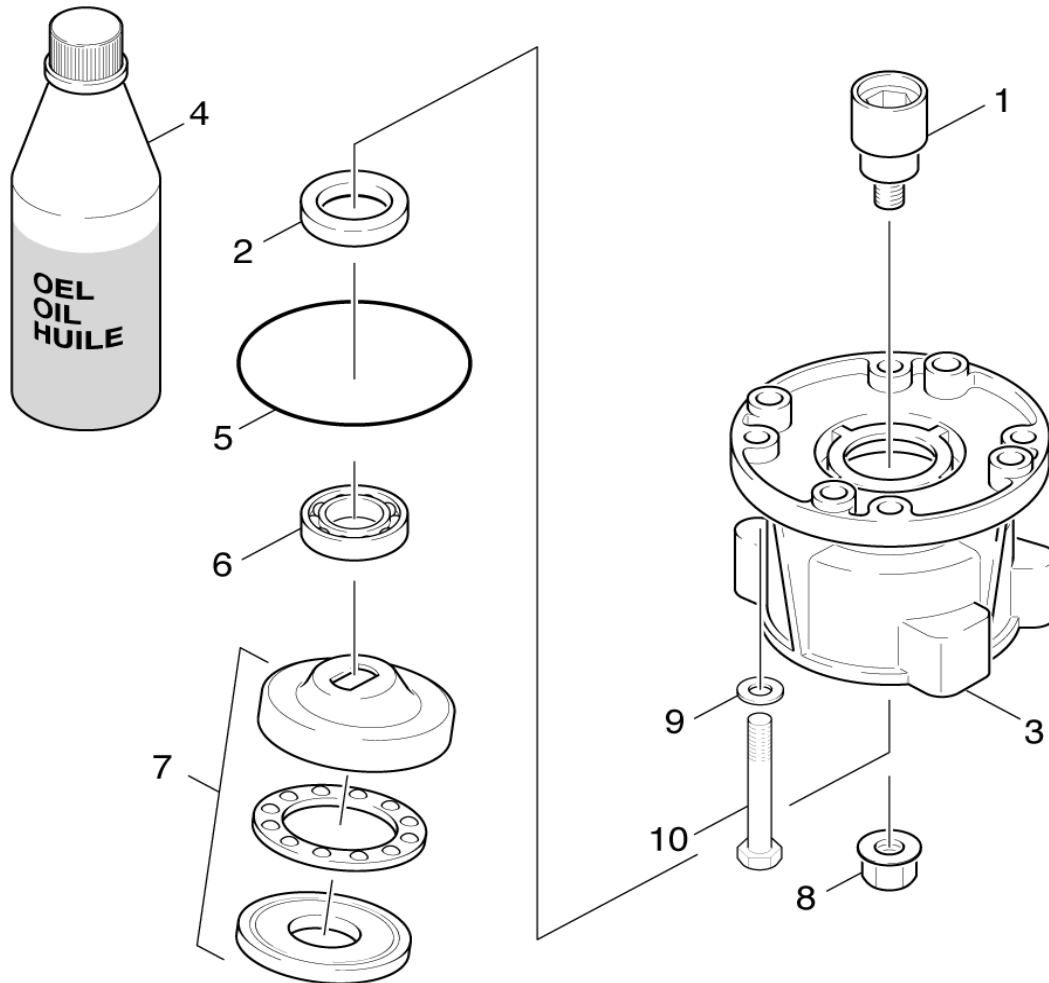
Location	PN	DESCRIPTION	QTY	SERIAL #	
				FROM	TO
MOTOR - 3.3					
1		Starter Rope Handle (Stockpiling discontinued)	1		
2	9194-8670	Oil Dip Rod Cap	1		
3	6491-3310	Cap of a Tank	1		
4	9194-4580	Screw	1		
5		Stockpiling discontinued	1		
6		Stockpiling discontinued	1		
7	9194-4530	Protective Grid	1		
8	6951-1920	Ignition Plug	1		
9	6970-1040	Spark Plug Connector	1		
10	9194-4360	Seal	1		
11	9194-4470	Carburetor	1		
12	6491-3380	Air Filter Element	1		
13	6288-0500	Oil 1 Litre 15w-40 (Pump or Engine)	1		
15		Stockpiling discontinued	1		
16		Stockpiling discontinued	1		
17	9144-0050	Adapter Flange	1		
18	6491-3340	Starter Rope	1		
19	9194-4590	Screw	1		
21		Stockpiling discontinued	1		
22	9152-2520	Drive Bolt 7/16" -20UNF-2B	1		



R J Bowers Distributors
 2003 Harrison Ave
 Rockford IL, 61104
 E-mail: service@rjbowers.com
 Web: www.rjbowers.com
 (815) 399-8839 (800) 383-6584

PARTS BREAKDOWN FOR K4400G (1.133-208.0)

Location	PN	DESCRIPTION	QTY	SERIAL #	
				FROM	TO
ACTUATION - 3.4 (version 1)					
1	9039-0720	Shaft Coupler	1		
2	7367-0180	Radial Shaft Seal Ring A26x37x7	1		
3	5093-1990	Transmission Housing (Vertical 4.375" diameter)	1		
4	6288-0500	Oil 1 Litre 15w-40 (Pump or Engine)	1		
5	6362-4710	O-Ring 80x3	1		
6	9087-0100	Ball Bearing	1		
7	6401-2910	Swash Plate	1		
8	9086-3030	Nut	1		
9	5115-6560	5/16" Split Lock Washer	4		
10	9196-0210	Socket Head Screw 5/16"-24x1.25"	4		



R J Bowers Distributors

2003 Harrison Ave
Rockford IL 61104

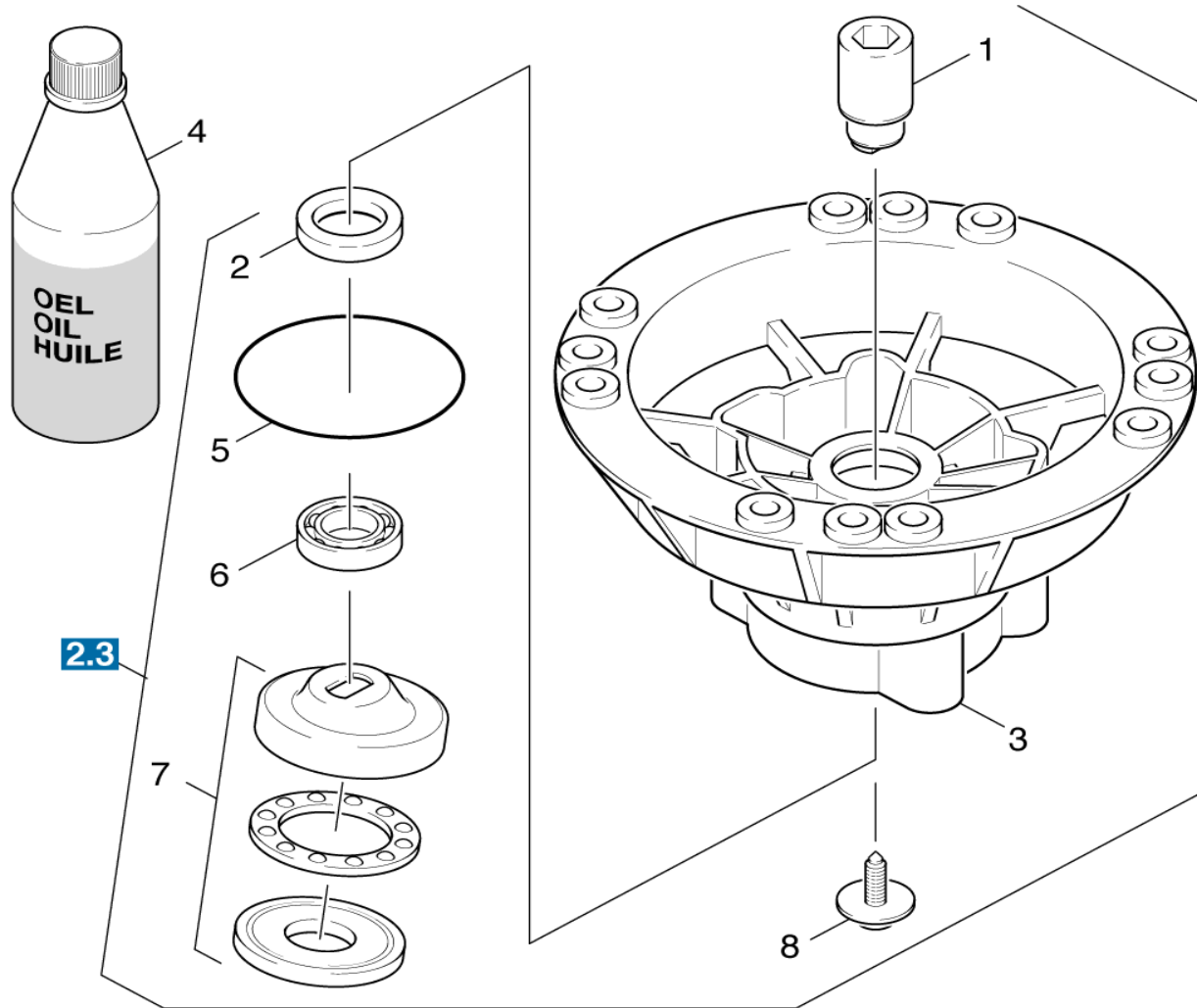
E-mail: service@rjbowers.com

Web: www.rjbowers.com

(815) 399-8839 (800) 383-6584

PARTS BREAKDOWN FOR K4400G (1.133-208.0)

Location	PN	DESCRIPTION	QTY	SERIAL #	
				FROM	TO
ACTUATION - 3.5 (version 2)					
1	5471-0750	Shaft Coupler	1		
2	7367-0180	Radial Shaft Seal Ring A26x37x7	1		
3	5093-1080	Transmission Housing (Vertical 9" diameter)	1		
4	6288-0500	Oil 1 Litre 15w-40 (Pump or Engine)	1		
5	6362-4710	O-Ring 80x3	1		
6	9087-0100	Ball Bearing	1		
7	6401-2910	Swash Plate	1		
8	6304-0480	Cylinder Head Screw M6x19	1		



R J Bowers Distributors

2003 Harrison Ave
Rockford IL 61104

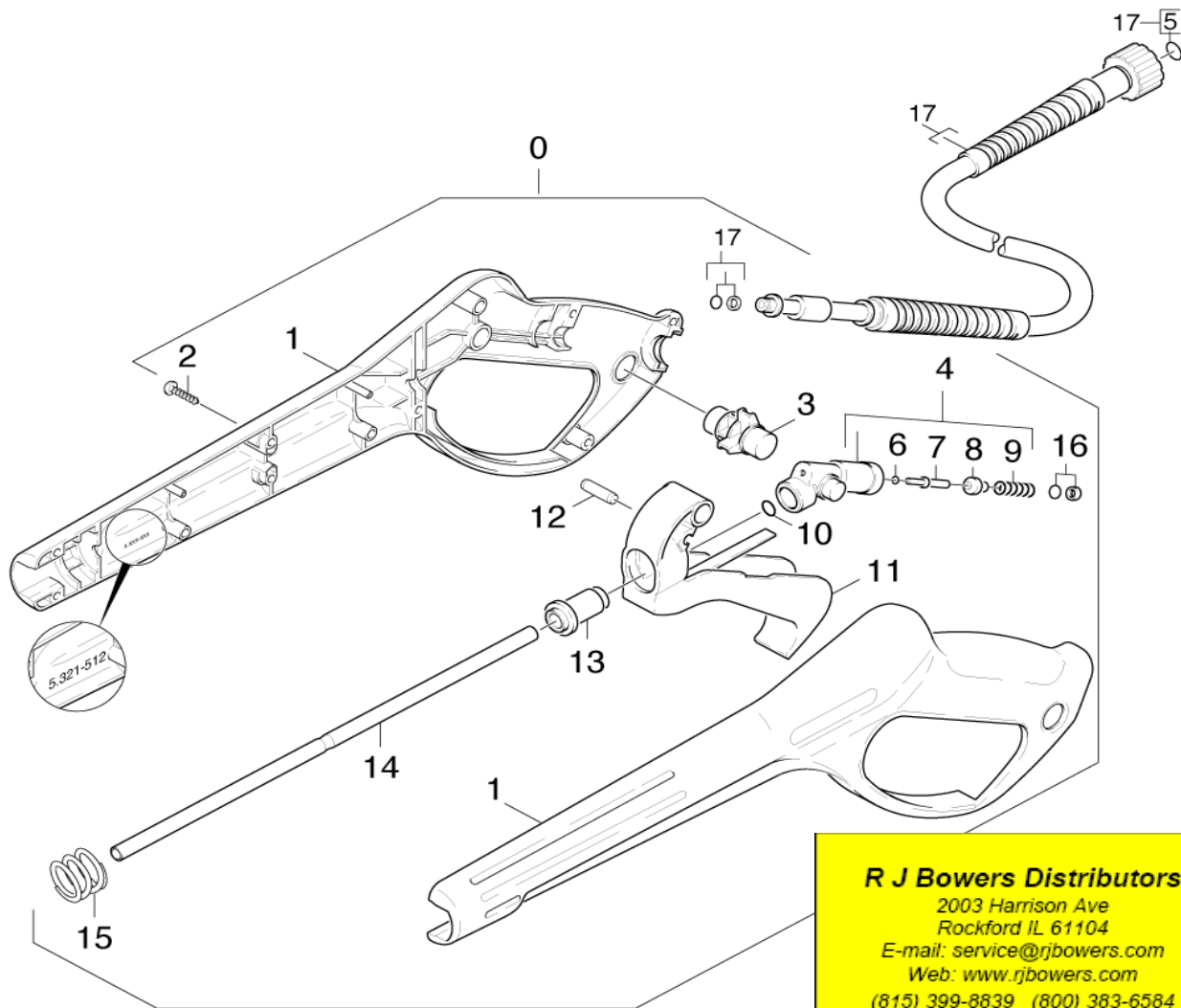
E-mail: service@rjbowers.com

Web: www.rjbowers.com

(815) 399-8839 (800) 383-6584

PARTS BREAKDOWN FOR K4400G (1.133-208.0)

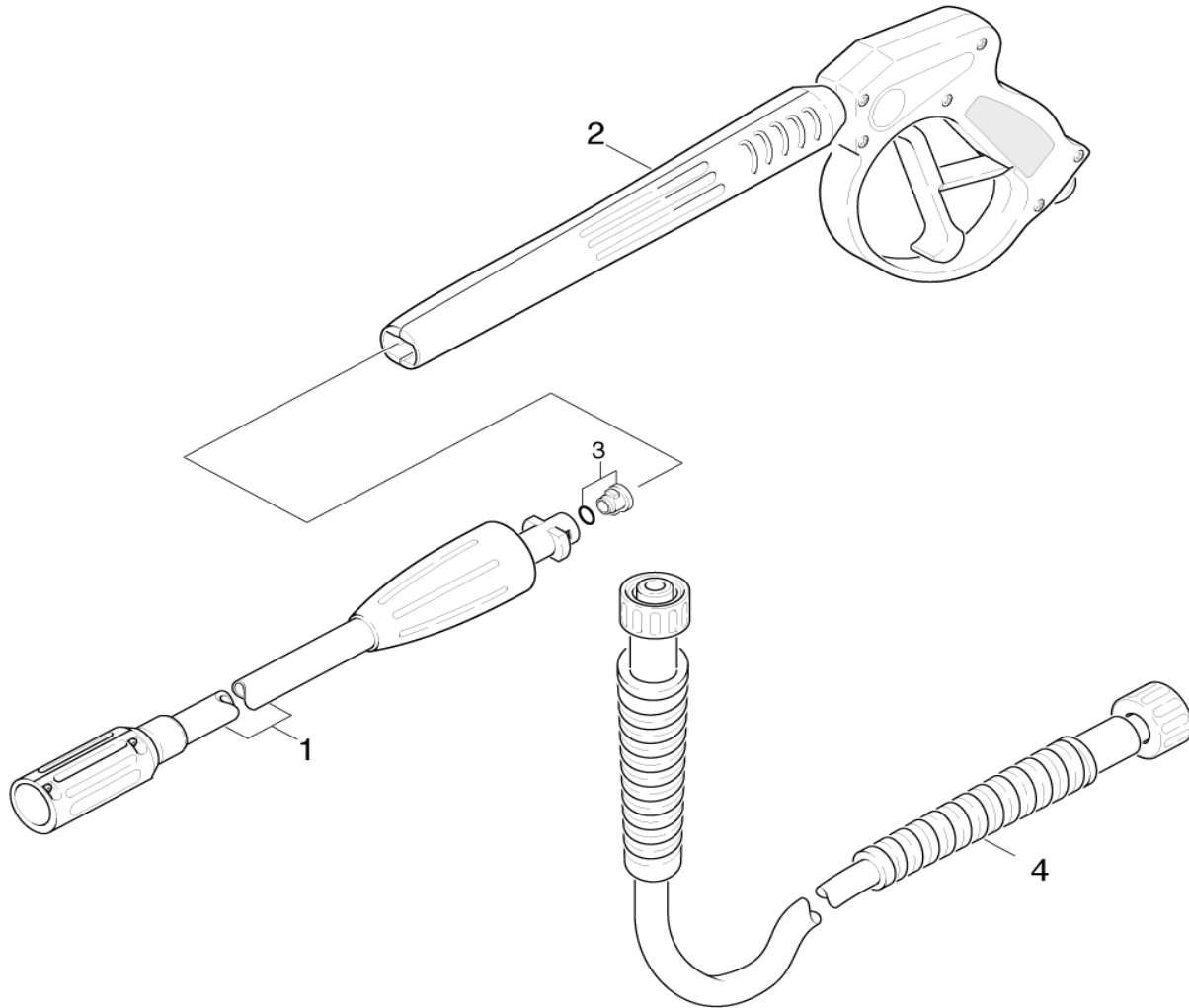
Location	PN	DESCRIPTION	QTY	SERIAL #	
				FROM	TO
ACCESSORIES - Trigger Gun 4.1					
0	4775-2640	Trigger Gun (Complete)	1		
1	5321-5120	Handhold (Outer Housing)	1		
2	6303-1220	M4 .2x13 Torx T-15	9		
3	5481-1890	Lever	1		
4	4427-1780	Manifold	1		
5	2880-2960	O-Ring Seal (5 Pack)	1		
6	7362-5020	O-Ring seal 2.8x1.6	1		
7	5107-1470	Bar	1		
8	5582-0580	Valve Disc	1		
9	5332-1570	Helical Spring	1		
10	6362-4790	O-Ring Seal 7.59x2.62	1		
11	4481-1050	Lever	1		
12	5314-0820	Pin	1		
13	5110-5390	Sleeve	1		
14	5028-9050	Pipe	1		
15	5332-3490	Pressure Spring	1		
16	6363-1150	O-Ring Seal Complete	1		
17	6389-5550	High Pressure Hose 25'	1		



R J Bowers Distributors
 2003 Harrison Ave
 Rockford IL 61104
 E-mail: service@rjbowers.com
 Web: www.rjbowers.com
 (815) 399-8839 (800) 383-6584

PARTS BREAKDOWN FOR K4400G (1.133-208.0)

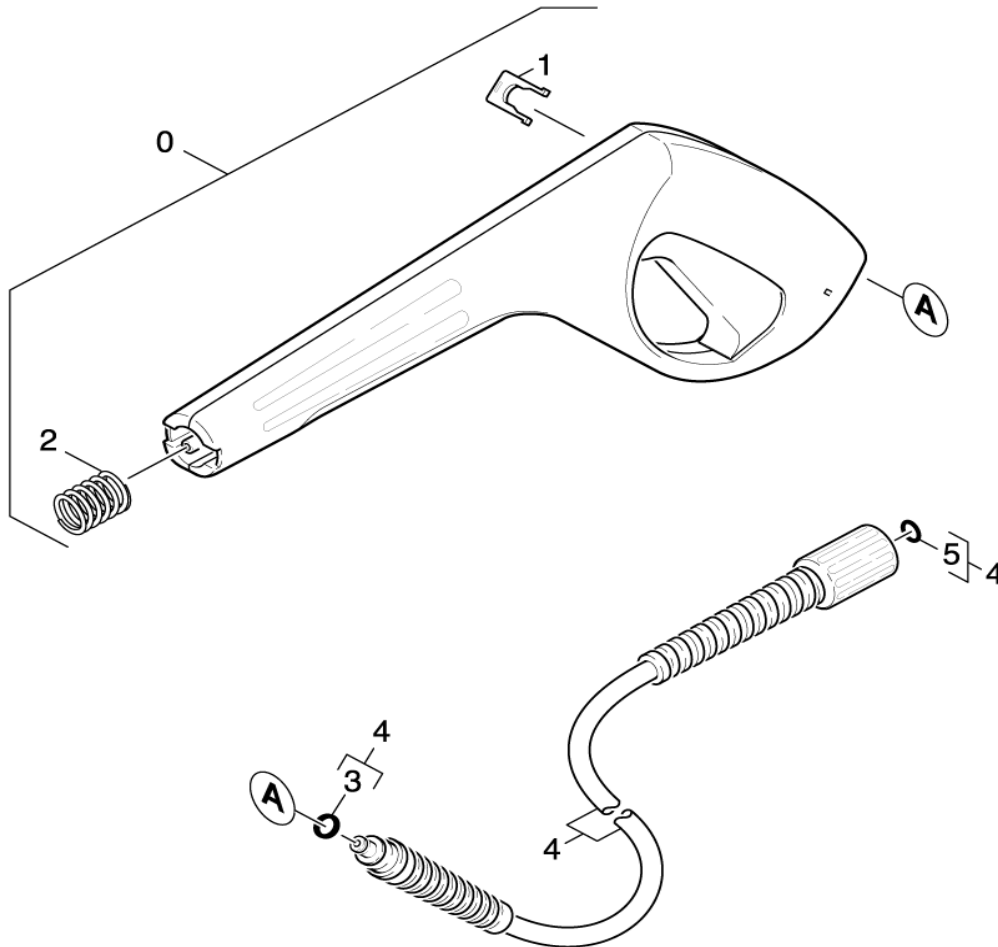
Location	PN	DESCRIPTION	QTY	SERIAL #	
				FROM	TO
ACCESSORIES - Trigger Gun 4.2					
1	4760-3440	VPS Spray Lance (032)	1		
2		Trigger Gun (Stockpiling discontinued)	1		
3	2640-7290	O-Ring Seal Set	1		
4	9162-3070	High Pressure Hose 25' / 2600 psi (Plastic Coated)	1		
4	9162-3020	High Pressure Hose 25' / 3250 psi (Rubber Coated)	1		



R J Bowers Distributors
 2003 Harrison Ave
 Rockford IL 61104
 E-mail: service@rjbowers.com
 Web: www.rjbowers.com
 (815) 399-8839 (800) 383-6584

PARTS BREAKDOWN FOR K4400G (1.133-208.0)

Location	PN	DESCRIPTION	QTY	SERIAL #	
				FROM	TO
ACCESSORIES - Trigger Gun 4.3					
0	2641-2020	Trigger Gun (Current Replacement for 4775-3890)	1		
1	5037-1370	Clamp	1		
2	5332-4640	Pressure Spring	1		
3	6363-1980	Gasket	1		
4	6390-8710	High Pressure Hose	1		
5	2880-2960	Spare part set O-Ring seal 5x-Kaercher	1		



R J Bowers Distributors

2003 Harrison Ave
Rockford IL 61104

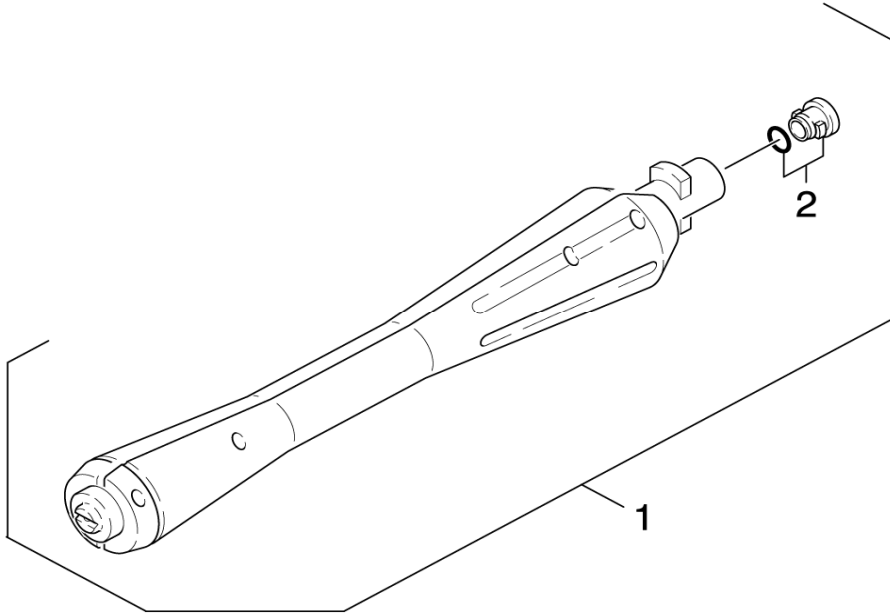
E-mail: service@rjbowers.com

Web: www.rjbowers.com

(815) 399-8839 (800) 383-6584

PARTS BREAKDOWN FOR K4400G (1.133-208.0)

Location	PN	DESCRIPTION	QTY	SERIAL #	
				FROM	TO
ACCESSORIES - Jet Pipe (Spray Wand) 4.4					
1	4760-3440	Spray Wand (0325)	1		
2	2640-7290	O-Ring Seal Set	1		



R J Bowers Distributors
 2003 Harrison Ave
 Rockford IL 61104
 E-mail: service@rjbowers.com
 Web: www.rjbowers.com
 (815) 399-8839 (800) 383-6584