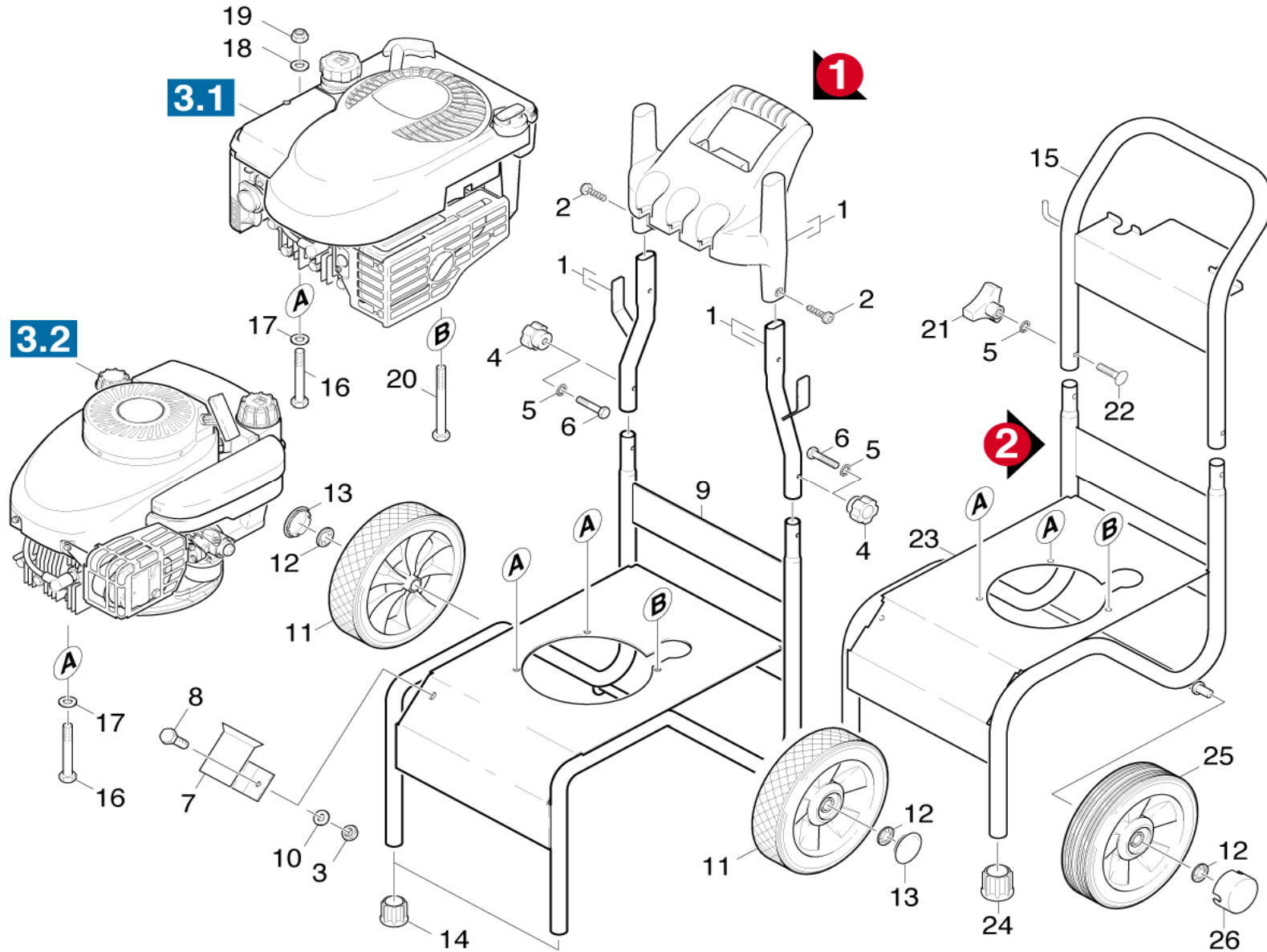




Spare parts list
1.133-201.0 K4000G



GRUPPE: 1.0 EINZELTEILE
 GROUP: 1.0 PIECE PARTS
 GROUPE: 1.0 PIECES CONSTITUANTES

C1

K4000G

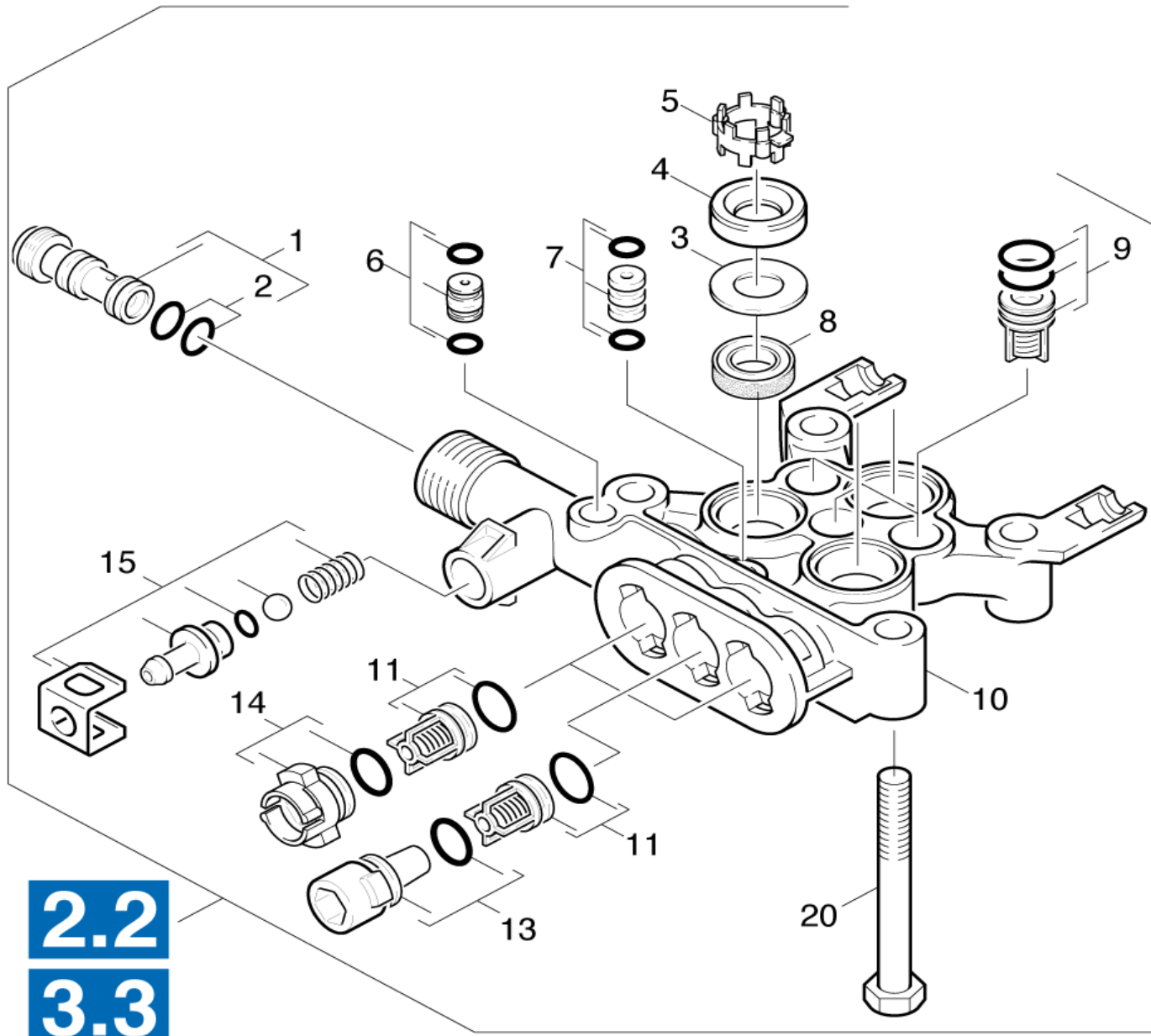
POS.	BENNENNUNG	TEILE-NR.	STCK	POS.	BENNENNUNG	TEILE-NR.	STCK
ITM.	DESCRIPTION	PART-NO.	QTY.	ITM.	DESCRIPTION	PART-NO.	QTY.
POS.	DESIGNATION	NO.PIECE	NBR.	POS.	DESIGNATION	NO.PIECE	NBR.
1	HALTEGRIFF / HANDHOLD / POIGNÉE	9.122-001.0	1				
2	SCHRAUBE / SCREW 5x30 / VIS	9.086-157.0	2				
3	NICHT MEHR VERFÜGBAR / NO LONGER AVAILABLE / N'EST PLUS DISPONIBLE		1				
4	DREHGEBER / CONTROL KNOB / BOUTON DE RÉGLAGE	9.182-351.0	2				
5	SCHEIBE / SERRATED LOCK WASHER A6 / RONDELLE	7.312-232.0	2				
6	HEX HEAD-SCHRAUBE / HEX HEAD SCREW 1/4"-20x1.25" / VIS DE TÊTE HEX	9.186-002.0	2				
7	NICHT MEHR VERFÜGBAR / NO LONGER AVAILABLE / N'EST PLUS DISPONIBLE		1				
8	NICHT MEHR VERFÜGBAR / NO LONGER AVAILABLE / N'EST PLUS DISPONIBLE		1				
9	NICHT MEHR VERFÜGBAR / NO LONGER AVAILABLE / N'EST PLUS DISPONIBLE		1				
10	NICHT MEHR VERFÜGBAR / NO LONGER AVAILABLE / N'EST PLUS DISPONIBLE		1				
11	RAD / WHEEL D200 / ROUE	9.189-002.0	2				
12	SCHEIBE / QUICK WASHER / RONDELLE	6.343-181.0	2				
13	CAP / CAP / PAC	9.189-351.0	2				
14	GUMMIPUFFER / RUBBER BUFFER / TAMPON DE CAOUTCHOUC	6.339-149.0	2				
15	NICHT MEHR VERFÜGBAR / NO LONGER AVAILABLE / N'EST PLUS DISPONIBLE		1				
16	HES HEAD-SCHRAUBE / HEX HEAD SCREW M8x40-8.8 / VIS DE TÊTE HEX	7.304-404.0	3				
17	NICHT MEHR VERFÜGBAR / NO LONGER AVAILABLE / N'EST PLUS DISPONIBLE		3				
18	SCHEIBE / WASHER 8 / RONDELLE	7.312-004.0	3				
19	SECHSKANTMUTTER / HEXAGON NUT M8 / ÉCROU HEXAGONAL	7.311-427.0	3				
20	HEX HEAD-SCHRAUBE / HEX HEAD SCREW M8x65 / VIS DE TÊTE HEX	7.304-004.0	1				
21	REGLER / KNOB 1/4"-20 3-POINT STAR / BOUTON	9.182-353.0	2				
22	BEFÖRDERUNG SCHRAUBE / CARRIAGE SCREW 1/4"-20x1.25" / TRANSPORT VIS	9.196-301.0	2				
23	NICHT MEHR VERFÜGBAR / NO LONGER AVAILABLE / N'EST PLUS DISPONIBLE		1				
24	GUMMIPUFFER / RUBBER BUFFER / TAMPON DE CAOUTCHOUC	9.183-402.0	2				
25	RAD / WHEEL 8"x2.25" RUBBER / ROUE	9.189-005.0	2				
26	RADKAPPE / WHEEL CAP / CAP DE LA ROUE	6.435-221.0	2				

"=> XXXXXX" = bis Werknummer / up to serial No. / jusqu' au No. de fabr. / "xxxxxx =>" = ab Werknummer / from serial No. / a partir du No. de fabr. /

GRUPPE: 2.1 VENTILE
GROUP: 2.1 VALVES
GRUPPE: 2.1 SOUPAPES

B2

K4000G



2.2
3.3

VERSION 1

Symbolbeschreibung siehe M16 / symbol description see M16 / designation de systeme voir M16

GRUPPE: 2.1 VENTILE
 GROUP: 2.1 VALVES
 GROUPE: 2.1 SOUPAPES

C2

K4000G

POS.	BENNENNUNG	TEILE-NR.	STCK	POS.	BENNENNUNG	TEILE-NR.	STCK
ITM.	DESCRIPTION	PART-NO.	QTY.	ITM.	DESCRIPTION	PART-NO.	QTY.
POS.	DESIGNATION	NO.PIECE	NBR.	POS.	DESIGNATION	NO.PIECE	NBR.
0	NICHT MEHR VERFÜGBAR / NO LONGER AVAILABLE / N'EST PLUS DISPONIBLE		1				
1	DUESENEINSATZ / NOZZLE INSERT / INSERT DE BUSE	4.769-034.0	1				
2	O-RING / O-RING 9.0x1.5 / JOINT TORIQUE	6.362-384.0	2				
3	SCHEIBE / WASHER / DONDELLE	5.115-721.0	3				
4	SCHEIBE / WASHER / DONDELLE	5.115-720.0	3				
5	HUELSE / SLEEVE / DOUILLE	5.110-707.0	3				
6	DROSSEL / THROTTLE / ETRANGLEMENT	4.030-109.0	1				
7	VERBINDUNGSSTUECK / JOINING PIECE / PIECE DE JONCTION	4.030-125.0	1				
8	NUTRING / GROOVED RING - WATER SEAL / JOINT A LEVRES	6.365-394.0	3				
9	VENTILE / VALVE / SOUPAPE	4.580-330.0	3				
10	ZYLINDERKOPF / CYLINDER HEAD / CULASSE	5.550-260.0	1				
11	VENTILE / VALVE 3-PACK / SOUPAPE	2.884-873.0	1				
13	VENTILSTOPFEN / PLUG (MIDDLE) / BOUCHON	4.132-011.0	1				
14	VENTILSTOPFEN / PLUG (OUTSIDE) / BOUCHON	4.132-010.0	2				
15	WASCHMITTEL INLET-ASSEMBLY / DETERGENT INLET ASSY / ASSEMBLÉE DE DÉTERGENT INLET	2.883-258.0	1				
20	6KT SCHR / HEXAGONAL HEAD SCREW M8x70-8.8 / VIS HEXAGONAL	7.304-097.0	1				
100	ERSATZTEILSET FUER / REBUILD KIT - SPARE PARTS SET / KIT DE PIECES	2.884-205.0	1				

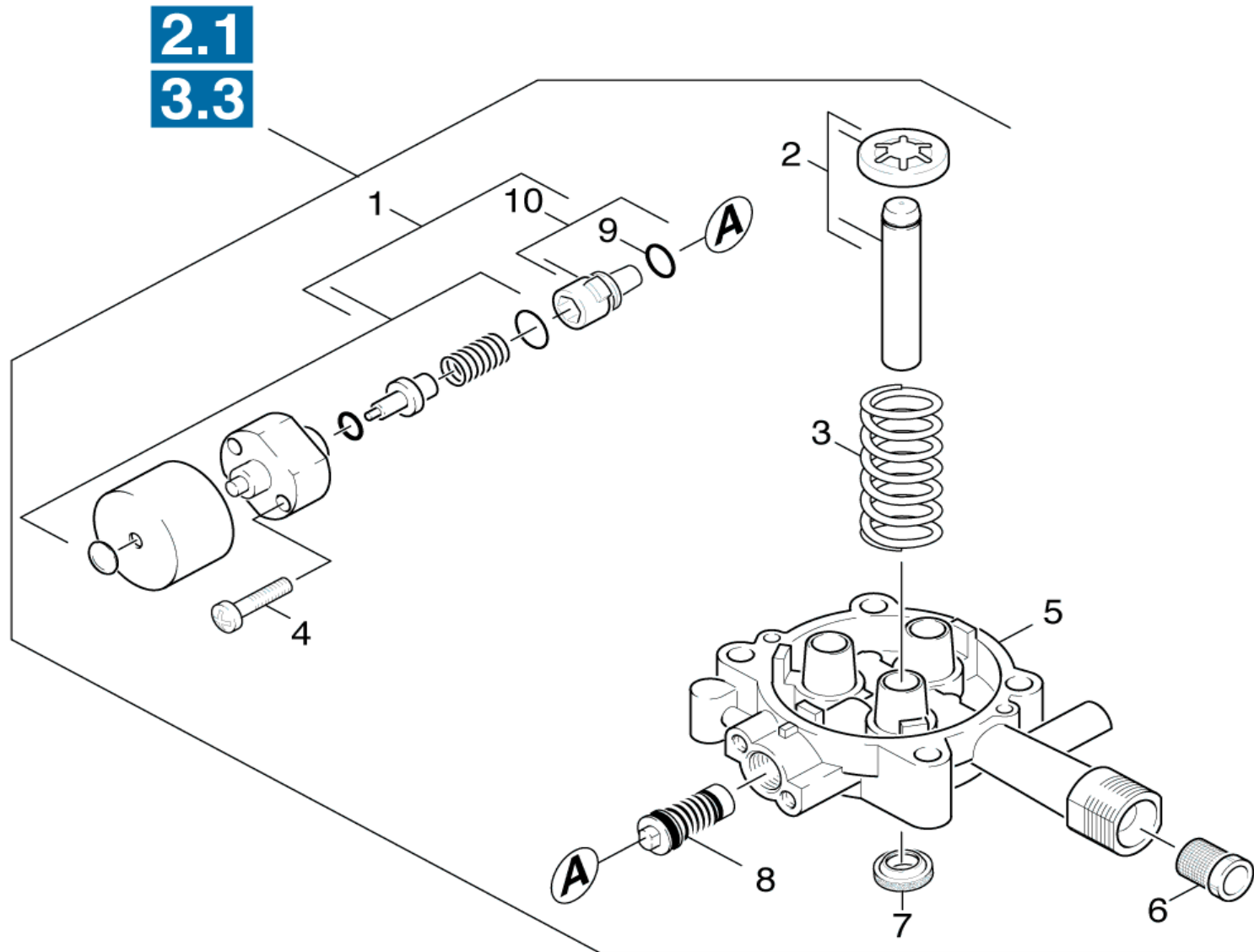
VERSION 1

"=> XXXXXX" = bis Werknummer / up to serial No. / jusqu' au No. de fabr. / "xxxxxx =>" = ab Werknummer / from serial No. / a partir du No. de fabr. /

GRUPPE: 2.2 KOLBEN
GROUP: 2.2 PISTON
GRUPPE: 2.2 PISTON

D2

K4000G



VERSION 1

Symbolbeschreibung siehe M16 / symbol description see M16 / designation de système voir M16

GRUPPE: 2.2 KOLBEN
GROUP: 2.2 PISTON
GRUPPE: 2.2 PISTON

E2

K4000G

POS.	BENNENNUNG	TEILE-NR.	STCK	POS.	BENNENNUNG	TEILE-NR.	STCK
ITM.	DESCRIPTION	PART-NO.	QTY.	ITM.	DESCRIPTION	PART-NO.	QTY.
POS.	DESIGNATION	NO.PIECE	NBR.	POS.	DESIGNATION	NO.PIECE	NBR.
1	THERMOVENTIL / THERMAL VALVE / SOUPAGE	4.580-360.0	1				
2	KOLBEN / PISTON / PISTON	4.553-173.0	3				
2A	KOLBEN-RETAINER-CAP / PISTON RETAINER CAP / PISTON MANDAT PAC	5.115-916.0	3				
3	DRUCKFEDER / PRESSURE SPRING / RESSORT A PRESSION	5.332-391.0	3				
4	SCHRAUBE / SCREW M6x30 / VIS	7.303-066.0	2				
5	KOLBENFUEHRUNG / PISTON GUIDANCE 1-1/16" THICK / GARDE DE PISTON	5.061-082.0	1				
6	SIEB / STRAINER / CREPINE	6.414-252.0	1				
7	NUTRING / GROOVED RING - OIL SEAL 12x20x4/6 / JOINT A LEVRES	6.365-393.0	3				
8	UEBERSTROEMER / SPILL VALVE / VALVE DE BARRAGE	4.591-040.0	1				
9	O-RING / O-RING 11.0x2.0 / JOINT TORIQUE	6.363-273.0	1				
10	VENTILSTOPFEN / PLUG / BOUCHON	4.132-011.0	1				
	KUPPLUNGSTEIL / HOSE COUPLER 3/4" / PIECE D'ACCOUPL NICHT ANGEZEIGT / NOT SHOWN / NE PAS MONTRÉ	9.154-009.0	1				

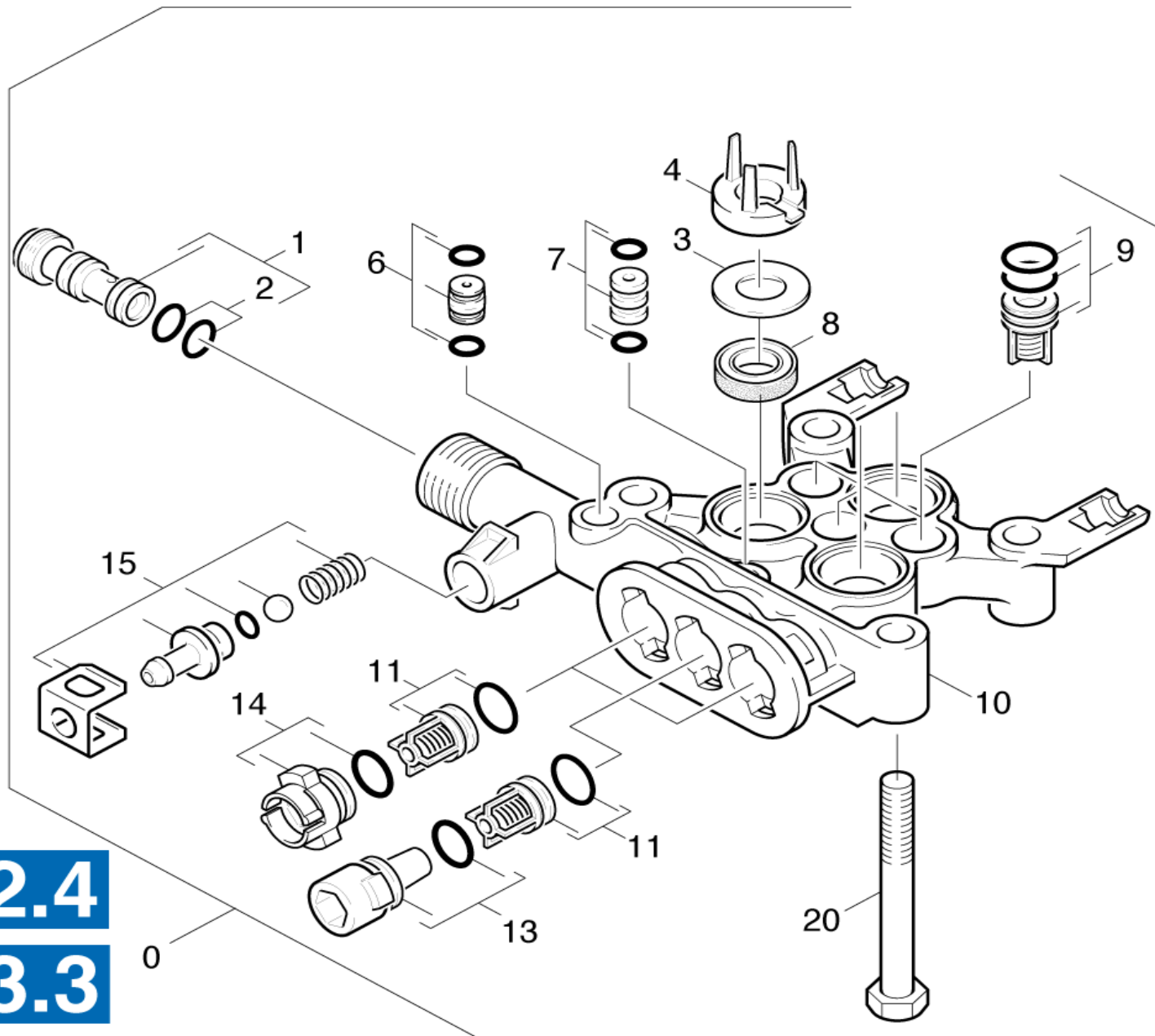
VERSION 1

"=> XXXXXX" = bis Werknummer / up to serial No. / jusqu' au No. de fabr. / "xxxxxx =>" = ab Werknummer / from serial No. / a partir du No. de fabr. /

GRUPPE: 2.3 VENTILE
GROUP: 2.3 VALVES
GRUPPE: 2.3 SOUPAPES

F2

K4000G



2.4
3.3

VERSION 2

Symbolbeschreibung siehe M16 / symbol description see M16 / designation de systeme voir M16

GRUPPE: 2.3 VENTILE
 GROUP: 2.3 VALVES
 GROUPE: 2.3 SOUPAPES

G2

K4000G

POS.	BENNENNUNG	TEILE-NR.	STCK	POS.	BENNENNUNG	TEILE-NR.	STCK
ITM.	DESCRIPTION	PART-NO.	QTY.	ITM.	DESCRIPTION	PART-NO.	QTY.
POS.	DESIGNATION	NO.PIECE	NBR.	POS.	DESIGNATION	NO.PIECE	NBR.
0	NICHT MEHR VERFÜGBAR / NO LONGER AVAILABLE / N'EST PLUS DISPONIBLE		1				
1	DUESENEINSATZ / NOZZLE INSERT / INSERT DE BUSE	4.769-034.0	1				
2	O-RING / O-RING 9.0x1.5 / JOINT TORIQUE	6.362-384.0	2				
3	SCHEIBE / WASHER / DONDELLE	5.115-721.0	3				
4	SCHEIBE / WASHER / DONDELLE	5.115-903.0	3				
6	DROSSEL / THROTTLE / ETRANGLEMENT	4.030-109.0	1				
7	VERBINDUNGSSTUECK / JOINING PIECE / PIECE DE JONCTION	4.030-125.0	1				
8	NUTRING / GROOVED RING - WATER SEAL / JOINT A LEVRES	6.365-394.0	3				
9	VENTILE / VALVE / SOUPAPE	4.580-330.0	3				
10	ZYLINDERKOPF / CYLINDER HEAD / CULASSE	5.550-260.0	1				
11	VENTILE / VALVE 3-PACK / SOUPAPE	2.884-873.0	1				
13	VENTILSTOPFEN / PLUG (MIDDLE) / BOUCHON	4.132-011.0	1				
14	VENTILSTOPFEN / PLUG (OUTSIDE) / BOUCHON	4.132-010.0	2				
15	WASCHMITTEL INLET-ASSEMBLY / DETERGENT INLET ASSY / ASSEMBLÉE DE DÉTERGENT INLET	2.883-258.0	1				
20	6KT SCHR / HEXAGONAL HEAD SCREW M8x70-8.8 / VIS HEXAGONAL	7.304-408.0	1				
100	ERSATZTEILSET FUER / REBUILD KIT - SPARE PARTS SET / KIT DE PIECES	2.884-205.0	1				

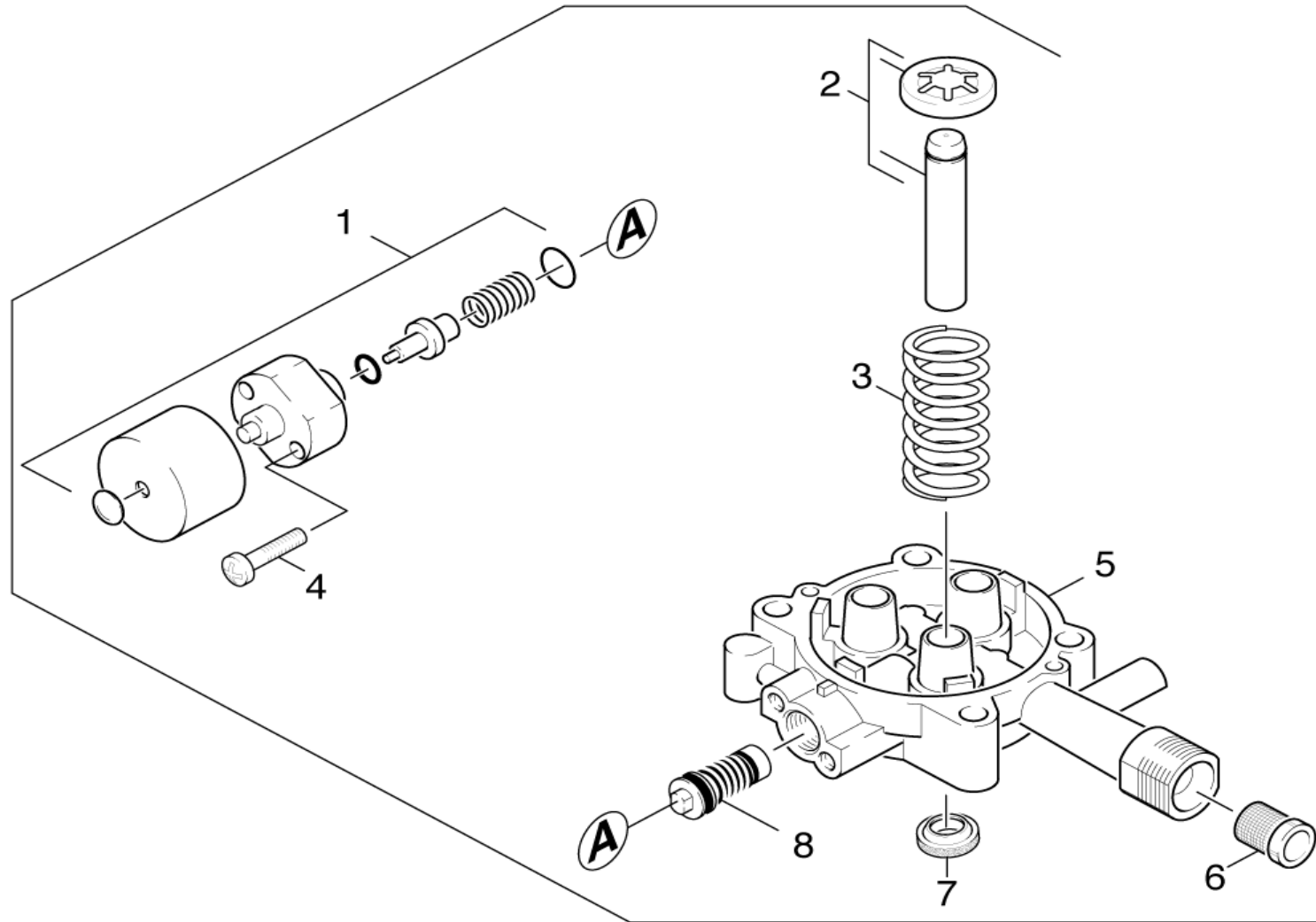
VERSION 2

"=> XXXXXX" = bis Werknummer / up to serial No. / jusqu' au No. de fabr. / "xxxxxx =>" = ab Werknummer / from serial No. / a partir du No. de fabr. /

GRUPPE: 2.4 KOLBEN
GROUP: 2.4 PISTON
GRUPPE: 2.4 PISTON

H2

K4000G



VERSION 2

Symbolbeschreibung siehe M16 / symbol description see M16 / designation de système voir M16

GRUPPE: 2.4 KOLBEN
GROUP: 2.4 PISTON
GRUPPE: 2.4 PISTON

I2

K4000G

POS.	BENNENNUNG	TEILE-NR.	STCK	POS.	BENNENNUNG	TEILE-NR.	STCK
ITM.	DESCRIPTION	PART-NO.	QTY.	ITM.	DESCRIPTION	PART-NO.	QTY.
POS.	DESIGNATION	NO.PIECE	NBR.	POS.	DESIGNATION	NO.PIECE	NBR.
1	THERMOVENTIL / THERMAL VALVE / SOUPAGE	4.580-360.0	1				
2	KOLBEN / PISTON / PISTON	4.553-215.0	3				
2A	KOLBEN-RETAINER-CAP / PISTON RETAINER CAP / PISTON MANDAT PAC	5.115-916.0	3				
3	DRUCKFEDER / PRESSURE SPRING / RESSORT A PRESSION	5.332-391.0	3				
4	SCHRAUBE / SCREW M6x30 / VIS	7.303-066.0	2				
5	KOLBENFUEHRUNG / PISTON GUIDANCE 1-1/4" THICK / GARDE DE PISTON	5.060-838.0	1				
6	SIEB / STRAINER / CREPINE	6.414-252.0	1				
7	NUTRING / GROOVED RING - OIL SEAL 12x20x4/6 / JOINT A LEVRES	6.365-393.0	3				
8	UEBERSTROEMER / SPILL VALVE / VALVE DE BARRAGE	4.591-040.0	1				
	KUPPLUNGSTEIL / HOSE COUPLER 3/4" / PIECE D'ACCOUPL NICHT ANGEZEIGT / NOT SHOWN / NE PAS MONTRÉ	9.154-009.0	1				

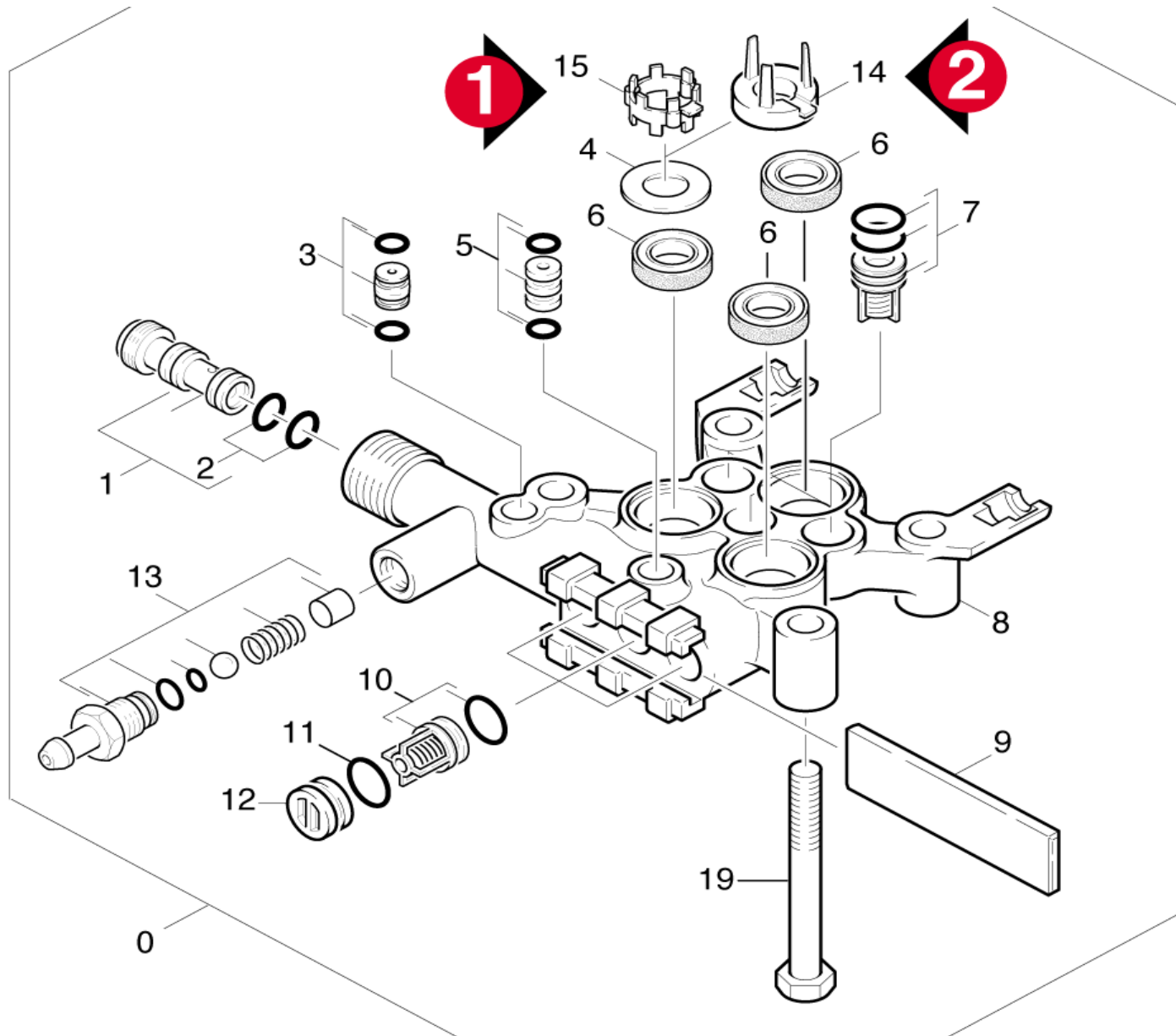
VERSION 2

"=> XXXXXX" = bis Werknummer / up to serial No. / jusqu' au No. de fabr. / "xxxxxx =>" = ab Werknummer / from serial No. / a partir du No. de fabr. /

GRUPPE: 2.5 VENTILE
GROUP: 2.5 VALVES
GRUPPE: 2.5 SOUPAPES

J2

K4000G



VERSION 3 & 4

Symbolbeschreibung siehe M16 / symbol description see M16 / designation de système voir M16

GRUPPE: 2.5 VENTILE
 GROUP: 2.5 VALVES
 GROUPE: 2.5 SOUPAPES

K2

K4000G

POS.	BENNENNUNG	TEILE-NR.	STCK	POS.	BENNENNUNG	TEILE-NR.	STCK
ITM.	DESCRIPTION	PART-NO.	QTY.	ITM.	DESCRIPTION	PART-NO.	QTY.
POS.	DESIGNATION	NO.PIECE	NBR.	POS.	DESIGNATION	NO.PIECE	NBR.
0	NICHT MEHR VERFÜGBAR / NO LONGER AVAILABLE / N'EST PLUS DISPONIBLE		1				
1	DUESENEINSATZ / NOZZLE INSERT / INSERT DE BUSE VERSION 2 FROM SERIAL # 595043 TO	4.769-040.0	1				
1	DUESENEINSATZ / NOZZLE INSERT / INSERT DE BUSE VERSION 1 FROM SERIAL # 0 TO 595042	4.769-035.0	1				
2	O-RING / O-RING 9.0x1.5 / JOINT TORIQUE	6.362-384.0	2				
3	DROSSEL / THROTTLE / ETRANGLEMENT	4.030-109.0	1				
4	SCHEIBE / WASHER / DONDELLE VERSION 1 FROM SERIAL # 0 TO 595042	5.115-721.0	3				
5	VERBINDUNGSSTUECK / JOINING PIECE / PIECE DE JONCTION	4.030-125.0	1				
6	NUTRING / GROOVED RING - WATER SEAL / JOINT A LEVRES	6.365-394.0	3				
7	VENTILE / VALVE / SOUPAPE	4.580-330.0	3				
8	ZYLINDERKOPF / CYLINDER HEAD / CULASSE	5.550-294.0	1				
9	PLATTE / PLATE / PLAQUE	5.003-062.0	1				
10	VENTILE / VALVE 3-PACK / SOUPAPE	2.884-872.0	1				
11	O-RING / O-RING 11.0x2.0 / JOINT TORIQUE	6.363-273.0	3				
12	VERSCHLOSSTOPFEN / DRAIN PLUG / BOUCHON	4.132-007.0	3				
13	WASCHMITTEL INLET-ASSEMBLY / DETERGENT INLET ASSY / ASSEMBLÉE DE DÉTERGENT INLET	2.883-862.0	1				
14	SCHEIBE / WASHER / DONDELLE VERSION 1 FROM SERIAL # 0 TO 595042	5.115-903.0	3				
15	HUELSE / SLEEVE / DOUILLE VERSION 2 FROM SERIAL # 595043 TO	5.110-707.0	3				
19	6KT SCHR / HEXAGONAL HEAD SCREW M8x70-8.8 / VIS HEXAGONAL VERSION 1 FROM SERIAL # 0 TO 595042	7.304-097.0	4				
19	6KT SCHR / HEXAGONAL HEAD SCREW M8x80-8.8 / VIS HEXAGONAL VERSION 2 FROM SERIAL # 595043 TO	7.304-408.0	4				
100	ERSATZTEILSET FUER / REBUILD KIT - SPARE PARTS SET / KIT DE PIECES	2.884-204.0	1				

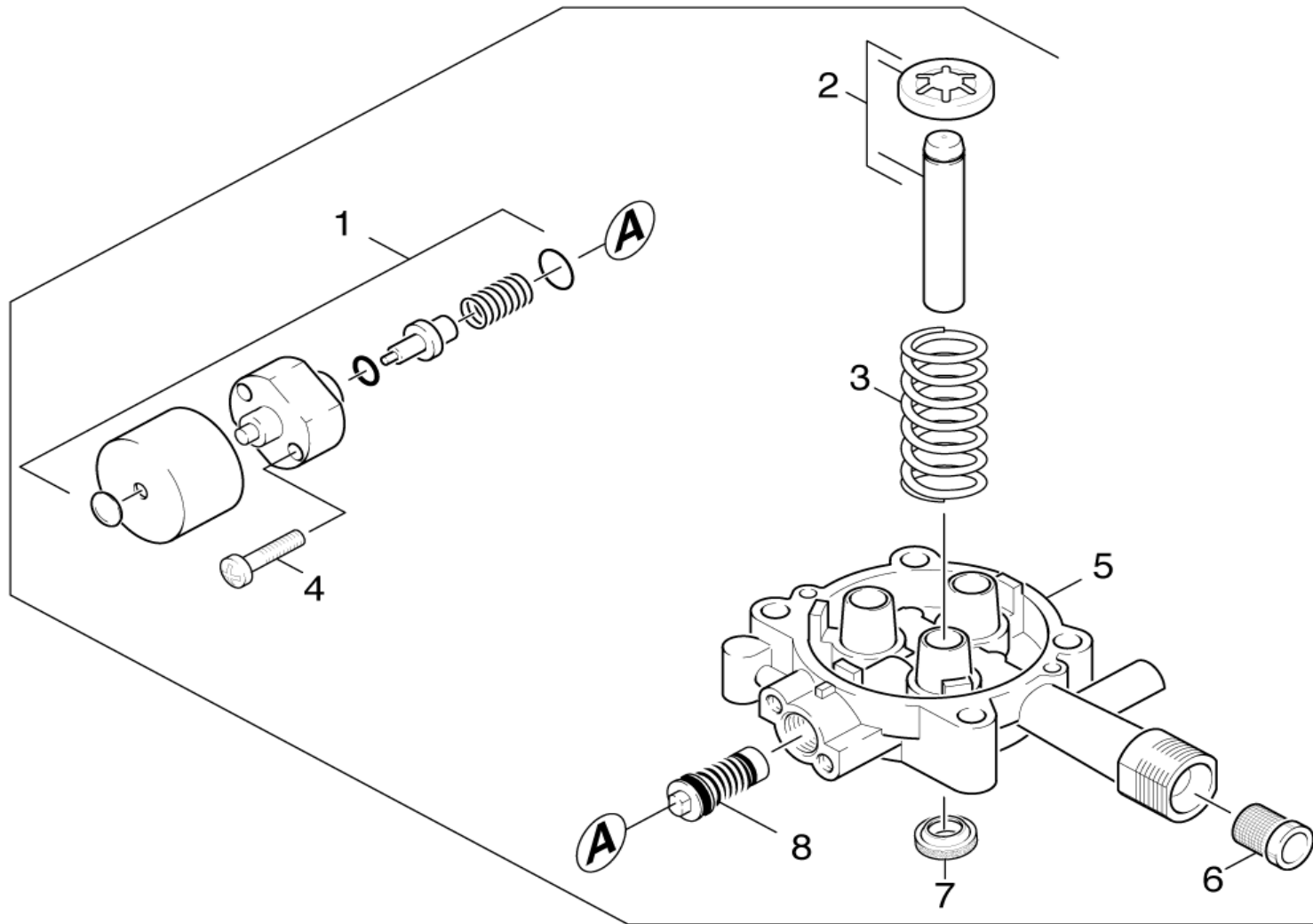
VERSION 3 & 4

"=> XXXXXX" = bis Werknummer / up to serial No. / jusqu' au No. de fabr. / "xxxxxx =>" = ab Werknummer / from serial No. / a partir du No. de fabr. /

GRUPPE: 2.6 KOLBEN
GROUP: 2.6 PISTON
GRUPPE: 2.6 PISTON

L2

K4000G



FOR VALVE VERSIONS 3 & 4

Symbolbeschreibung siehe M16 / symbol description see M16 / designation de systeme voir M16

GRUPPE: 2.6 KOLBEN
GROUP: 2.6 PISTON
GRUPPE: 2.6 PISTON

M2

K4000G

POS.	BENNENNUNG	TEILE-NR.	STCK	POS.	BENNENNUNG	TEILE-NR.	STCK
ITM.	DESCRIPTION	PART-NO.	QTY.	ITM.	DESCRIPTION	PART-NO.	QTY.
POS.	DESIGNATION	NO.PIECE	NBR.	POS.	DESIGNATION	NO.PIECE	NBR.
1	THERMOVENTIL / THERMAL VALVE / SOUPAGE	4.580-360.0	1				
2	KOLBEN / PISTON / PISTON	4.553-215.0	3				
2A	KOLBEN-RETAINER-CAP / PISTON RETAINER CAP / PISTON MANDAT PAC	5.115-916.0	3				
3	DRUCKFEDER / PRESSURE SPRING / RESSORT A PRESSION	5.332-391.0	3				
4	SCHRAUBE / SCREW M6x30 / VIS	7.303-066.0	2				
5	KOLBENFUEHRUNG / PISTON GUIDANCE 1-1/4" THICK / GARDE DE PISTON	5.060-838.0	1				
6	SIEB / STRAINER / CREPINE	6.414-252.0	1				
7	NUTRING / GROOVED RING - OIL SEAL 12x20x4/6 / JOINT A LEVRES	6.365-393.0	3				
8	UEBERSTROEMER / SPILL VALVE / VALVE DE BARRAGE	4.591-040.0	1				
	KUPPLUNGSTEIL / HOSE COUPLER 3/4" / PIECE D'ACCOUPL	9.154-009.0	1				
	NICHT ANGEZEIGT / NOT SHOWN / NE PAS MONTRÉ						

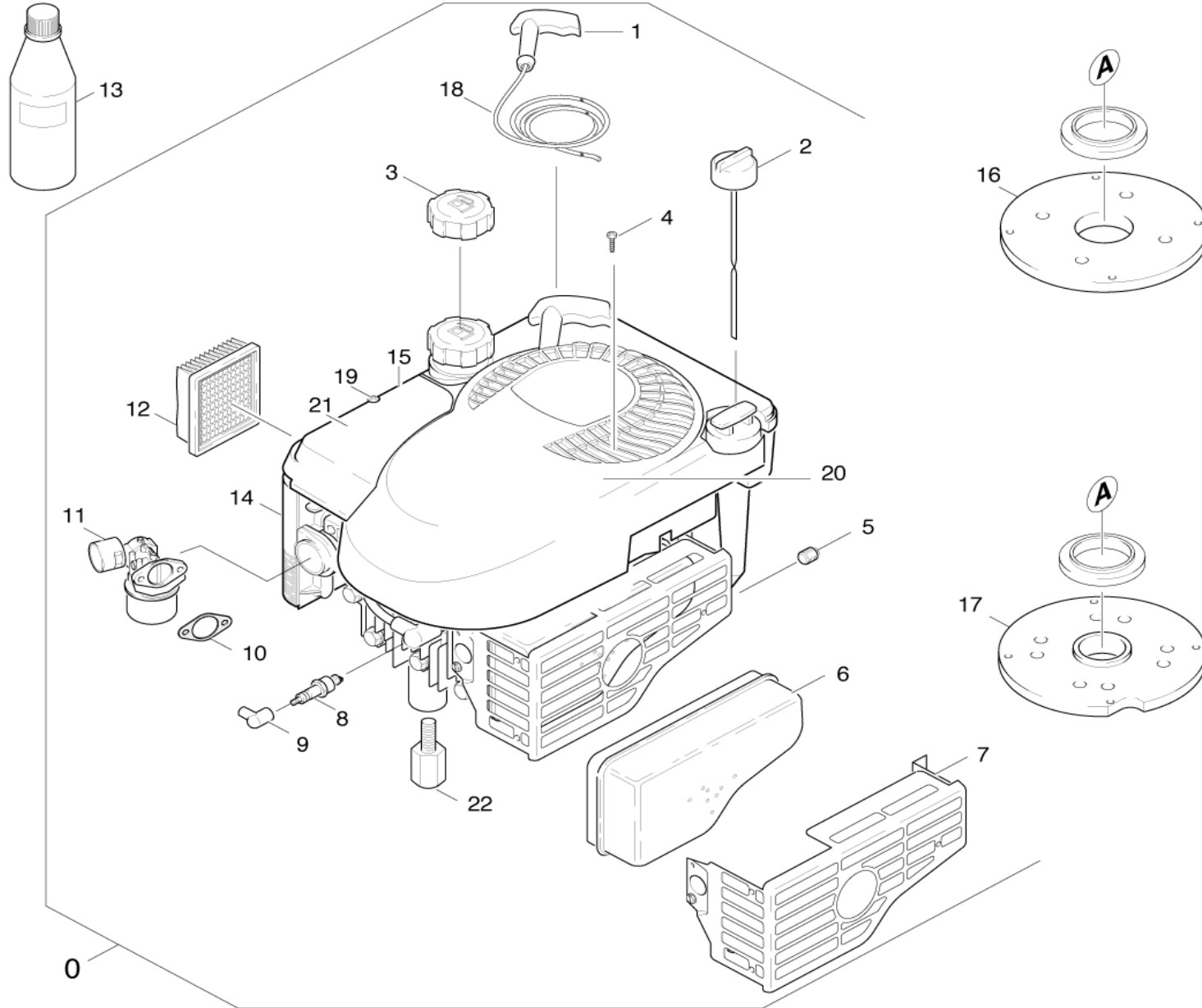
FOR VALVE VERSIONS 3 & 4

"=> XXXXXX" = bis Werknummer / up to serial No. / jusqu' au No. de fabr. / "xxxxxx =>" = ab Werknummer / from serial No. / a partir du No. de fabr. /

GRUPPE: 3.1 MOTOR
GROUP: 3.1 MOTOR
GRUPPE: 3.1 MOTEUR

B3

K4000G



VERSION 1

Symbolbeschreibung siehe M16 / symbol description see M16 / designation de système voir M16

GRUPPE: 3.1 MOTOR
 GROUP: 3.1 MOTOR
 GROUPE: 3.1 MOTEUR

C3

K4000G

POS.	BENNENNUNG	TEILE-NR.	STCK	POS.	BENNENNUNG	TEILE-NR.	STCK
ITM.	DESCRIPTION	PART-NO.	QTY.	ITM.	DESCRIPTION	PART-NO.	QTY.
POS.	DESIGNATION	NO.PIECE	NBR.	POS.	DESIGNATION	NO.PIECE	NBR.
0	MOTOR / MOTOR BRIGGS & STRATTON 5 HP / MOTEUR	9.194-012.0	1				
1	STARTERSEIL GRIFF / STARTER ROPE / CORDE DE DEMARREU	9.194-441.0	1				
2	OELMESSTAB / OIL DIP ROD / JAUGE NIVEAU D'HUILE	9.194-867.0	1				
3	TANKDECKEL / CAP OF TANK / BOUCHON DE RESERVOIR	6.491-331.0	1				
4	SCHRAUBE / SCREW / VIS	9.194-458.0	1				
5	ABLASSSCHRAUBE / DRAIN SCREW / VIS D'ECOULEMENT	9.194-384.0	1				
6	AUSPUFF / EXHAUST / ECHAPPEMENT	9.194-443.0	1				
7	SCHUTZGITTER / PROTECTIVE GRID / GRILLE PROTECTRICE	9.194-453.0	1				
8	ZUENDKERZE / IGNITION PLUG / BOUGIE D'ALLUMAGE	6.491-102.0	1				
9	ZUENDKERZENSTECKER / SPARK PLUG CONNECTOR / COSSE POUR BOUGIE	6.970-104.0	1				
10	DICHTUNG / SEAL / BOURRAGE	9.194-436.0	1				
11	VERGASER / CARBURETOR / CARBURATEUR	9.194-447.0	1				
12	LUFTFILTERELEMENT / AIR FILTER ELEMENT / CARTOUCHE FILTRANTE	6.491-338.0	1				
13	MOTORENOEL / ENGINE OIL 1L / HUILE (MOTEUR) MOTOR 1.1L / MOTOR 1.1L / MOTEUR 1.1L	6.288-050.0	1				
15	ABDECKUNG / COVERING CAP / CHAPEAU	9.194-460.0	1				
16	FLANSCH / FLANGE / BRIDE	9.144-002.0	1				
17	FLANSCH / FLANGE / BRIDE	9.144-005.0	1				
18	ANLASSERSEIL / STARTER ROPE / CABLE DE DEMARRAGE	6.491-334.0	1				
19	SCHRAUBE / SCREW / VIS	9.194-459.0	1				
21	FILTERABDECKUNG / FILTER COVER / COUVERCLE DE FILTRE	9.194-580.0	1				
22	BOLZEN / BOLT / BOULON	9.152-252.0	1				

"=> XXXXXX" = bis Werknummer / up to serial No. / jusqu' au No. de fabr. / "xxxxxx =>" = ab Werknummer / from serial No. / a partir du No. de fabr. /

GRUPPE: 3.2 ANTRIEB
GROUP: 3.2 GEAR / ACTUATION
GRUPPE: 3.2 ENTRAINEMENT

E3

K4000G

POS.	BENNENNUNG	TEILE-NR.	STCK	POS.	BENNENNUNG	TEILE-NR.	STCK
ITM.	DESCRIPTION	PART-NO.	QTY.	ITM.	DESCRIPTION	PART-NO.	QTY.
POS.	DESIGNATION	NO.PIECE	NBR.	POS.	DESIGNATION	NO.PIECE	NBR.
1	KUPPLUNGSTEIL / COUPLING ELEMENT / PIECE D'ACCOUPL.	5.471-075.0	1				
2	RWDR / ROTARY SHAFT SEAL A26x37x7 / JOINT (ARBRE)	7.367-018.0	1				
3	LAGERSCHILD A / END PLATE / FLASQUE	5.093-226.0	1				
4	MOTORENOEL / PUMP OIL 1L 15W-40 / HUILE (MOTEUR)	6.288-050.0	1				
5	O-RING / O-RING 80.0x3.0 / BAQUE D'ETANCHEITE	6.362-741.0	1				
6	KUGELLAGER / BALL BEARING 6304 / ROULEMENT A BILLE	7.401-155.0	1				
7	TAUMELSCHEIBE / SWASH PLATE / DISQUE EN NUTATION	6.401-193.0	1				
8	ZYL.SCHR / CHEESE HEAD SCREW M6x19 / VIS A TETE CYLINDR.	6.304-048.0	1				
9	ZYL.SCHR / CHEESE HEAD SCREW M8x60 / VIS A TETE CYLINDR.	7.306-047.0	4				
10	SCHEIBE / WASHER 8.4x21x1.5 / RONDELLE	9.086-009.0	4				

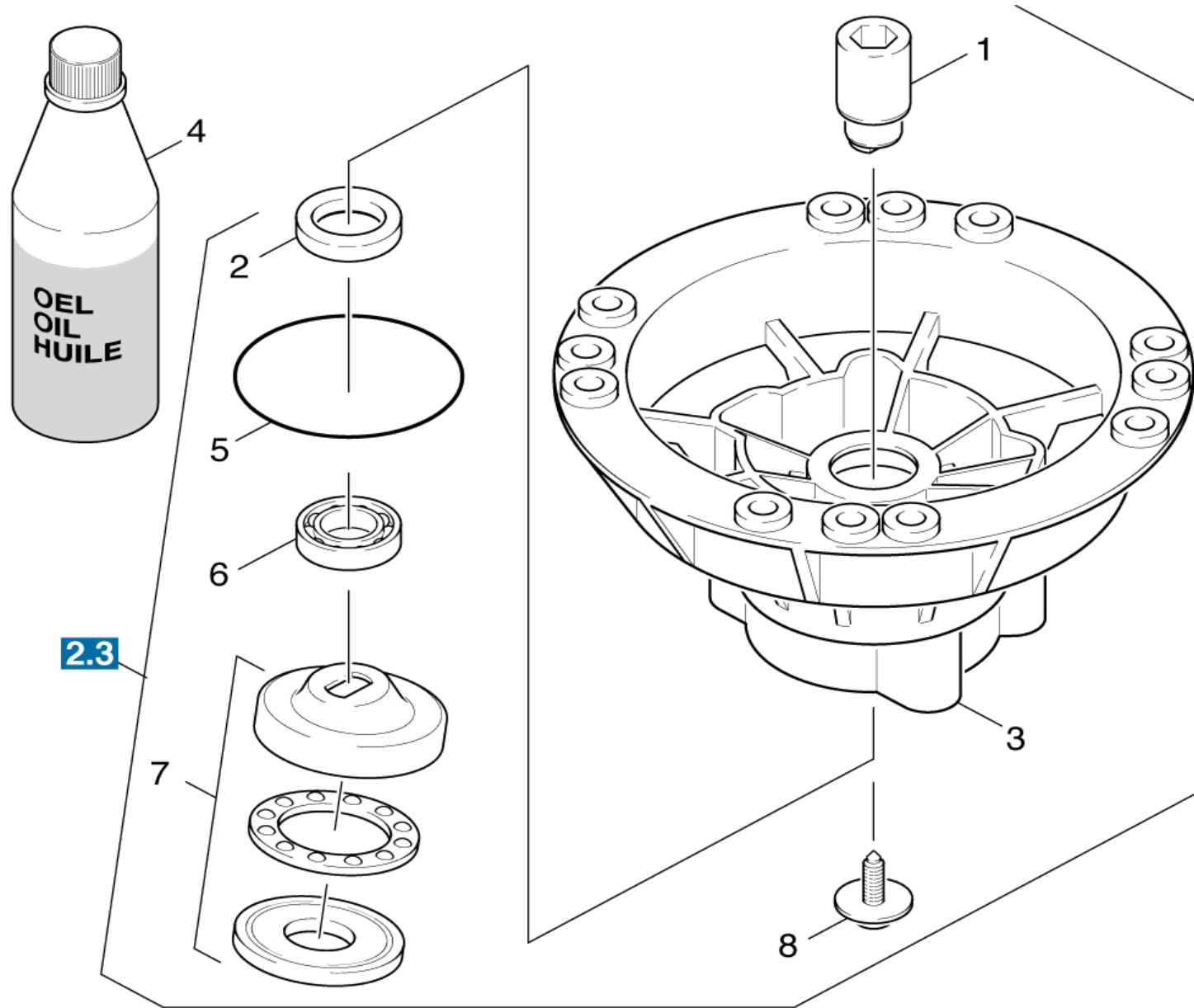
VERSION 1

"=> XXXXXX" = bis Werknummer / up to serial No. / jusqu' au No. de fabr. / "xxxxxx =>" = ab Werknummer / from serial No. / a partir du No. de fabr. /

GRUPPE: 3.3 ANTRIEB
GROUP: 3.3 GEAR / ACTUATION
GRUPPE: 3.3 ENTRAINEMENT

F3

K4000G



VERSION 2

Symbolbeschreibung siehe M16 / symbol description see M16 / designation de systeme voir M16

GRUPPE: 3.3 ANTRIEB
GROUP: 3.3 GEAR / ACTUATION
GRUPPE: 3.3 ENTRAINEMENT

G3

K4000G

POS.	BENNENNUNG	TEILE-NR.	STCK	POS.	BENNENNUNG	TEILE-NR.	STCK
ITM.	DESCRIPTION	PART-NO.	QTY.	ITM.	DESCRIPTION	PART-NO.	QTY.
POS.	DESIGNATION	NO.PIECE	NBR.	POS.	DESIGNATION	NO.PIECE	NBR.
1	KUPPLUNGSTEIL / COUPLING ELEMENT / PIECE D'ACCOUPL	5.471-075.0	1				
2	RWDR / ROTARY SHAFT SEAL A26x37x7 / JOINT (ARBRE)	7.367-018.0	1				
3	GEHAEUSE VERTIKAL / HOUSING / BOITIER	5.093-108.0	1				
4	MOTORENOEL / PUMP OIL 1L 15W-40 / HUILE (MOTEUR)	6.288-050.0	1				
5	O-RING / O-RING 80.0x3.0 / BAQUE D'ETANCHEITE	6.362-471.0	1				
6	KUGELLAGER / BALL BEARING 6304 / ROULEMENT A BILLE	7.401-038.0	1				
7	TAUMELSCHEIBE / SWASH PLATE / DISQUE EN NUTATION	6.401-291.0	1				
8	ZYL.SCHR / CHEESE HEAD SCREW M6x19 / VIS A TETE CYLINDR.	6.304-048.0	1				

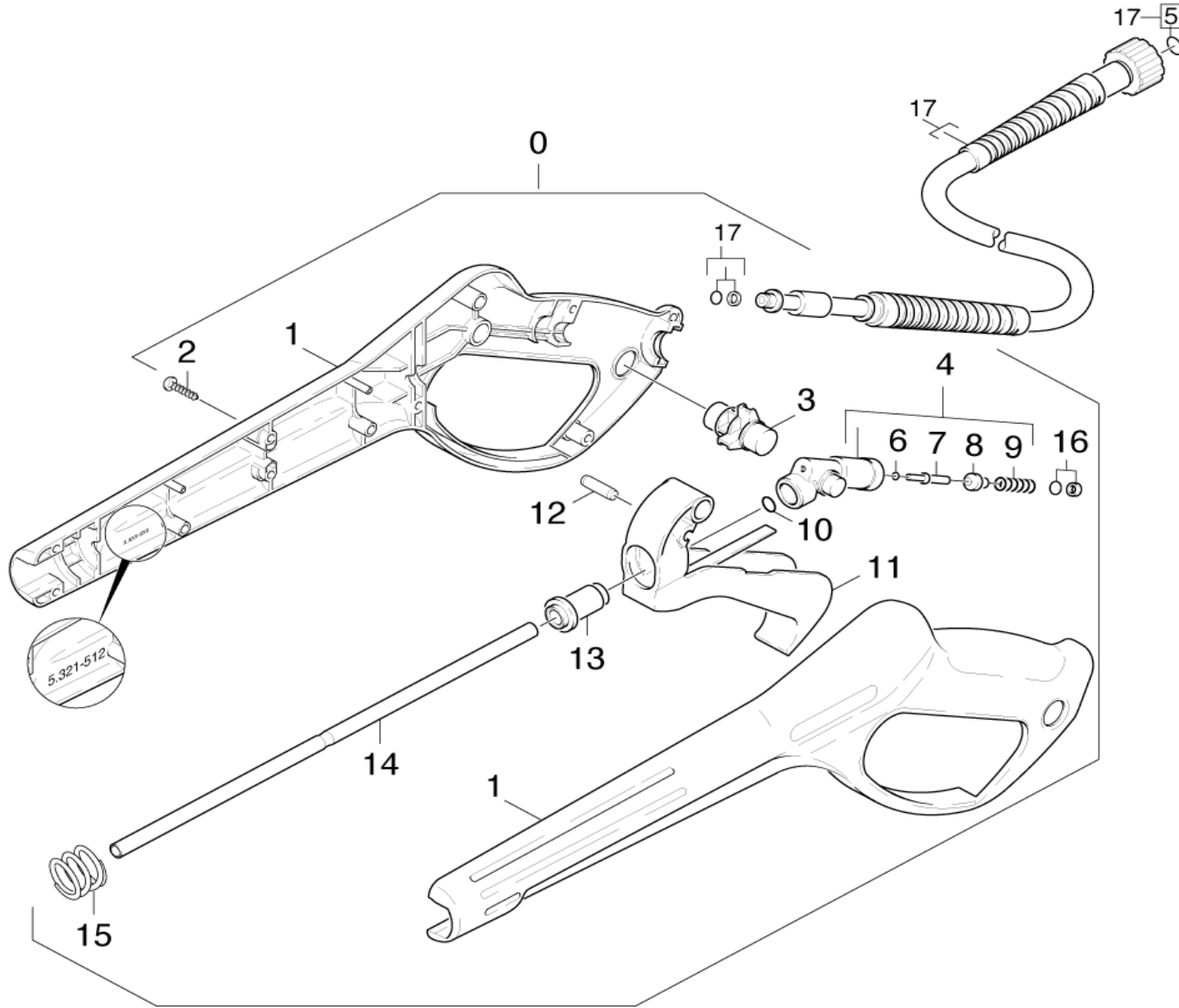
VERSION 2

"=> XXXXXX" = bis Werknummer / up to serial No. / jusqu' au No. de fabr. / "xxxxxx =>" = ab Werknummer / from serial No. / a partir du No. de fabr. /

GRUPPE: 4.1 HANDSPRITZPISTOLE
GROUP: 4.1 TRIGGER GUN
GRUPPE: 4.1 POIGNEE PISTOLET

B4

K4000G



Symbolbeschreibung siehe M16 / symbol description see M16 / designation de système voir M16

GRUPPE: 4.1 HANDSPRITZPISTOLE

GROUP: 4.1 TRIGGER GUN

GRUPPE: 4.1 POIGNEE PISTOLET

C4

K4000G

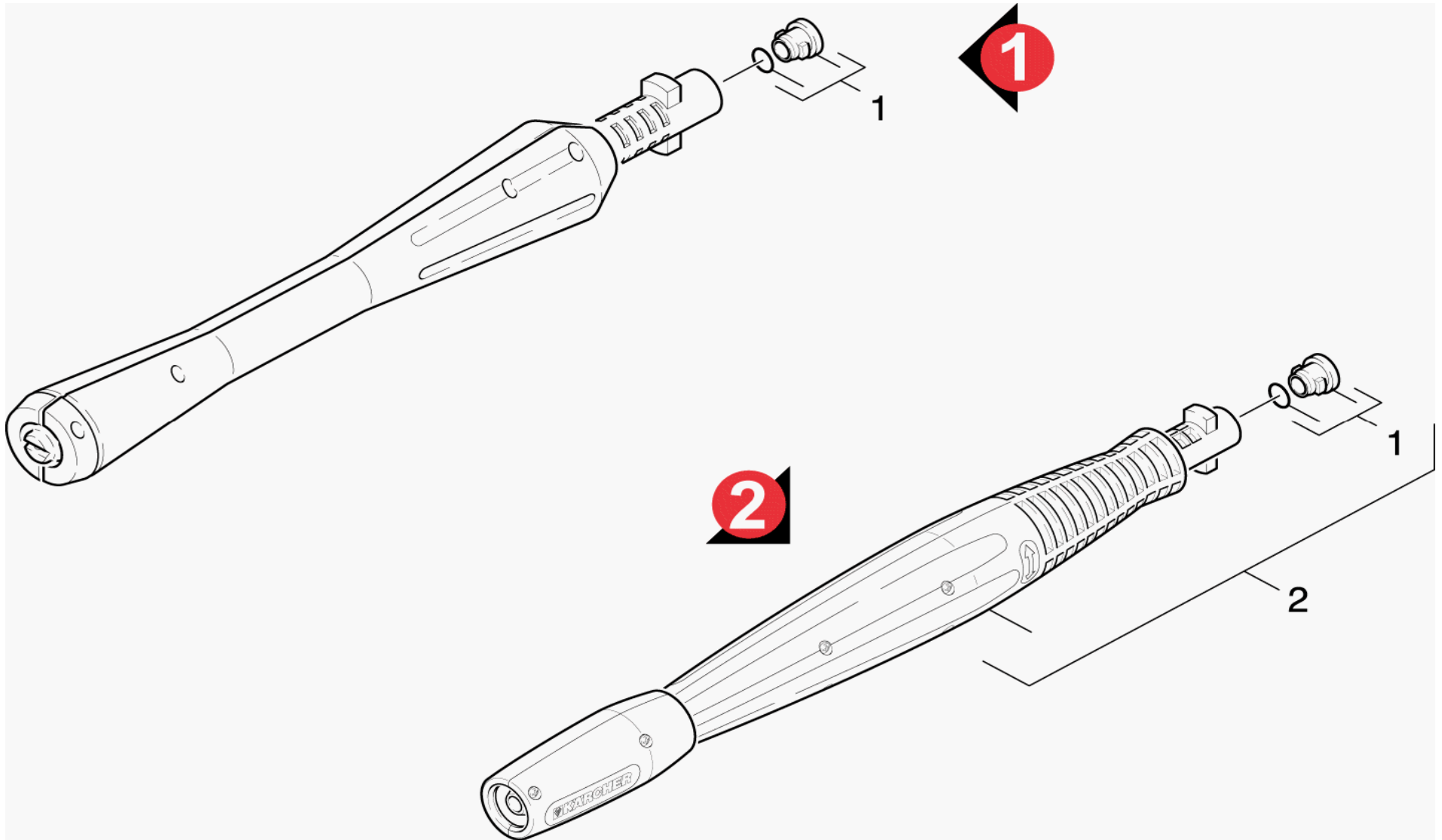
POS.	BENNENNUNG	TEILE-NR.	STCK	POS.	BENNENNUNG	TEILE-NR.	STCK
ITM.	DESCRIPTION	PART-NO.	QTY.	ITM.	DESCRIPTION	PART-NO.	QTY.
POS.	DESIGNATION	NO.PIECE	NBR.	POS.	DESIGNATION	NO.PIECE	NBR.
0	PISTOLE / TRIGGER GUN / POSTOLET	4.775-264.0	1				
1	GRIFFPAAAR / HANDLES / BRANCHES POIGNEE	5.321-512.0	1				
2	LINSENSCHR / OVAL HEAD SCREW 42x13 / VIS A TETE BOMBEE	6.303-122.0	9				
3	HEBEL VERRIEGELUNG / LEVER / LEVIER	5.481-189.0	1				
4	KNOTENSTUECK / MANIFOLD / FERRURE NODALE	4.427-178.0	1				
5	ERSATZTEILSET / SPARE PARTS KIT / KIT DE PIECES	2.880-296.0	1				
6	O-RING / O-RING 2.8x1.6 / BAQUE D'ETANCHEITE	7.362-502.0	1				
7	STANGE / BAR / TIGE	5.107-147.0	1				
8	VENTILTELLER / VALVE DISC / TETE DE SOUPAPE	5.582-058.0	1				
9	SCHRAUBENFEDER / HELICAL SPRING / RESSORT CYLINDRIQU	5.332-157.0	1				
10	O-RING / O-RING 7.59x2.62 / BAQUE D'ETANCHEITE	6.362-479.0	1				
11	HEBEL / LEVER / LEVIER	4.481-105.0	1				
12	STIFT / PIN / CHEVILLE	5.314-082.0	1				
13	HUELSE / SLEEVE / DOUILLE	5.110-539.0	1				
14	ROHR PISTOLE / PIPE / TUYAU	5.028-905.0	1				
15	DRUCKFEDER / PRESSURE SPRING / RESSORT A PRESSION	5.332-349.0	1				
16	O-RING KPL / O-RING COMPLETE / BAQUE D'ETANCHEITE	6.363-115.0	1				
17	HD-SCHLAUNCH 15MPA / HIGH PRESSURE HOSE / TUYAU FLEXIBLE HAUTE PRE.	6.389-555.0	1				

"=> XXXXXX" = bis Werknummer / up to serial No. / jusqu' au No. de fabr. / "xxxxxx =>" = ab Werknummer / from serial No. / a partir du No. de fabr. /

GRUPPE: 4.2 STRAHLRORH
GROUP: 4.2 JET PIPE / SPRAY WAND
GRUPPE: 4.2 LANCE D'INCENDIE

D4

K4000G



Symbolbeschreibung siehe M16 / symbol description see M16 / designation de système voir M16

GRUPPE: 4.2 STRAHLROHR
GROUP: 4.2 JET PIPE / SPRAY WAND
GRUPPE: 4.2 LANCE D'INCENDIE

E4

K4000G

POS.	BENNENNUNG	TEILE-NR.	STCK	POS.	BENNENNUNG	TEILE-NR.	STCK
ITM.	DESCRIPTION	PART-NO.	QTY.	ITM.	DESCRIPTION	PART-NO.	QTY.
POS.	DESIGNATION	NO.PIECE	NBR.	POS.	DESIGNATION	NO.PIECE	NBR.
1	ERSATZTEILSET / O-RING SEAL KIT / KIT DE PIECES	2.640-729.0	1				
2	STRAHLROHR / JET PIPE 0305 / LANCE D'INCENDIE	4.760-542.0	1				
	VERSION 1 & 2						

"=> XXXXXX" = bis Werknummer / up to serial No. / jusqu' au No. de fabr. / "xxxxxx =>" = ab Werknummer / from serial No. / a partir du No. de fabr. /