

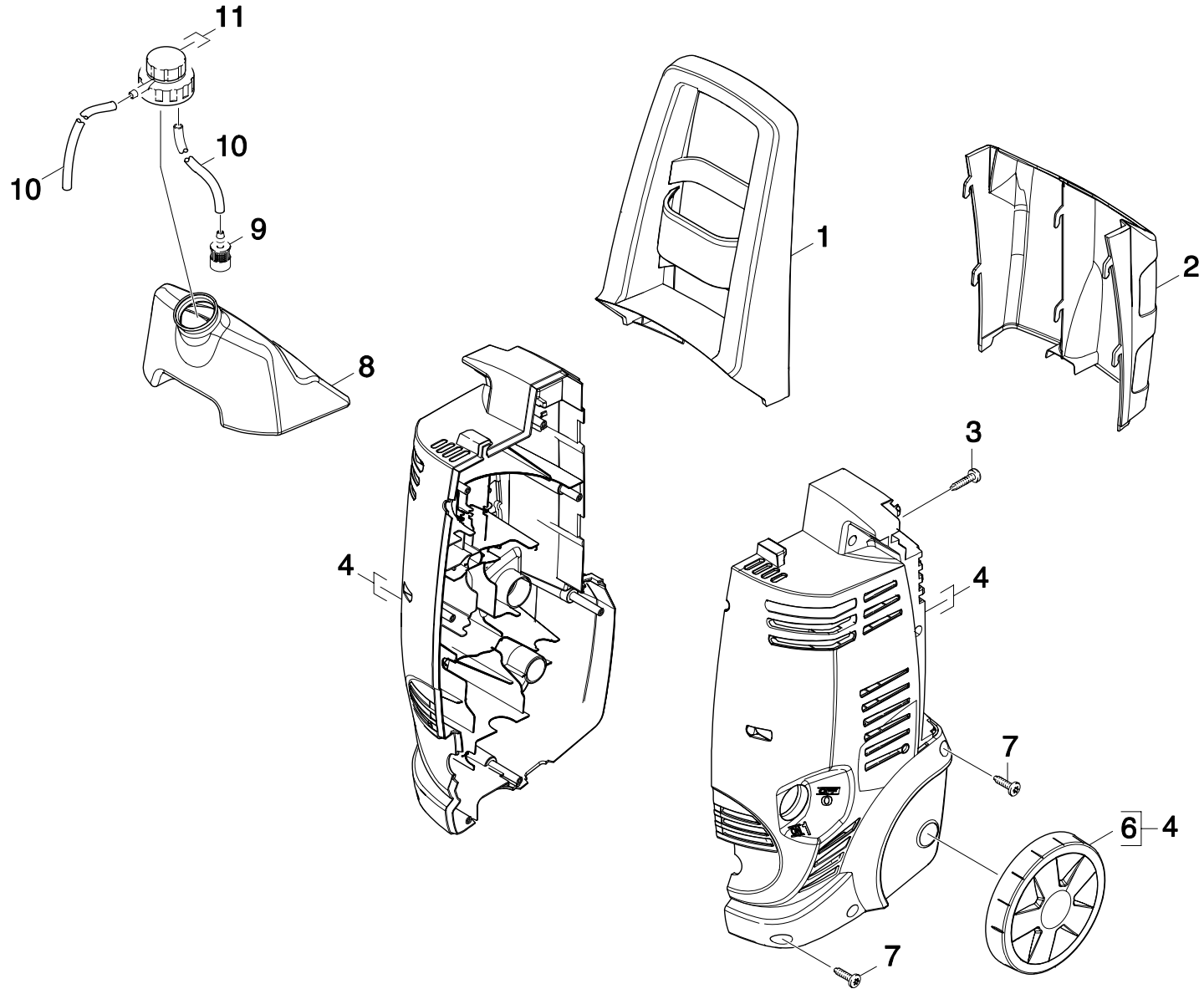


**Ersatzteilliste**  
**Spare Parts List**  
**Liste des pieces de rechange**

**1.636-123.0 K 3.86 M \*CA**



# HOUSING



## HOUSING

POS ITM. POS.	BENENNUNG DESCRIPTION DESIGNATION	TEILE-NR PART-NO NO. PIECE	STCK QTY. NBR	AB WERK-NR FROM SERIAL-NO TO SERIAL-NO	BIS WERK-NR
---------------------	---	----------------------------------	---------------------	---	-------------

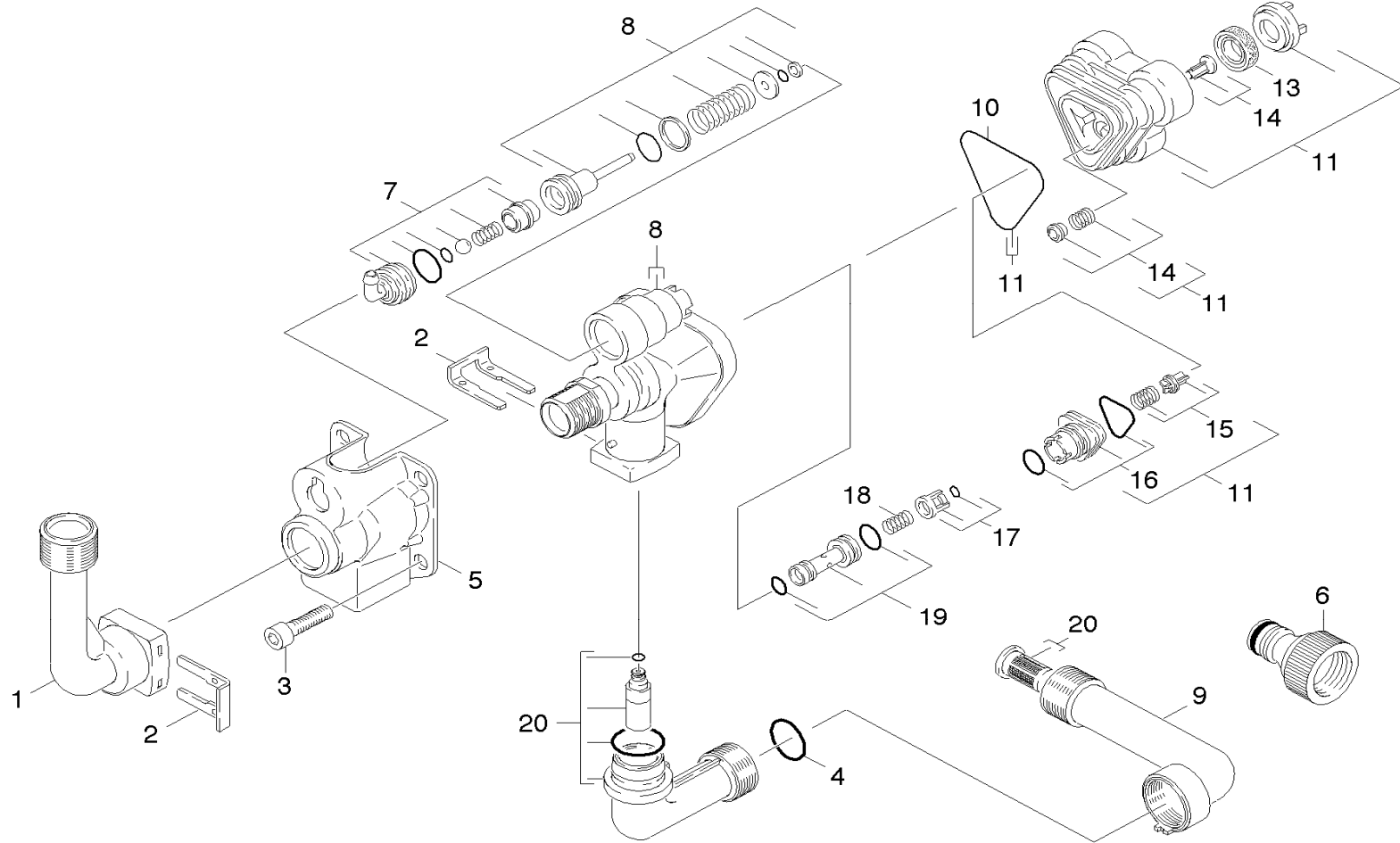
0001	HANDLE K3.86M	9.037-068.0	1,000		
0002	ACCESSORIES BRACKET	9.037-069.0	1,000		
0003	SCREW 4 X 20	9.086-182.0	2,000		
0004	HOUSING K3.86M	9.012-025.0	1,000		
0006	WHEEL SET	9.001-260.0	1,000		
0007	SCREW HI-LO 4X22	9.086-173.0	7,000		
0008	TANK K3.86M	9.037-070.0	1,000		
0009	FILTER	5.731-609.0	1,000		
0010	HOSE (TO ORDER AS CUT GOODS)	6.388-216.0	1,000		
0011	COVER RM-TANK KPL.	4.063-807.0	1,000		

PUMP-SET



HOUSING

updated 20 Jan 2010



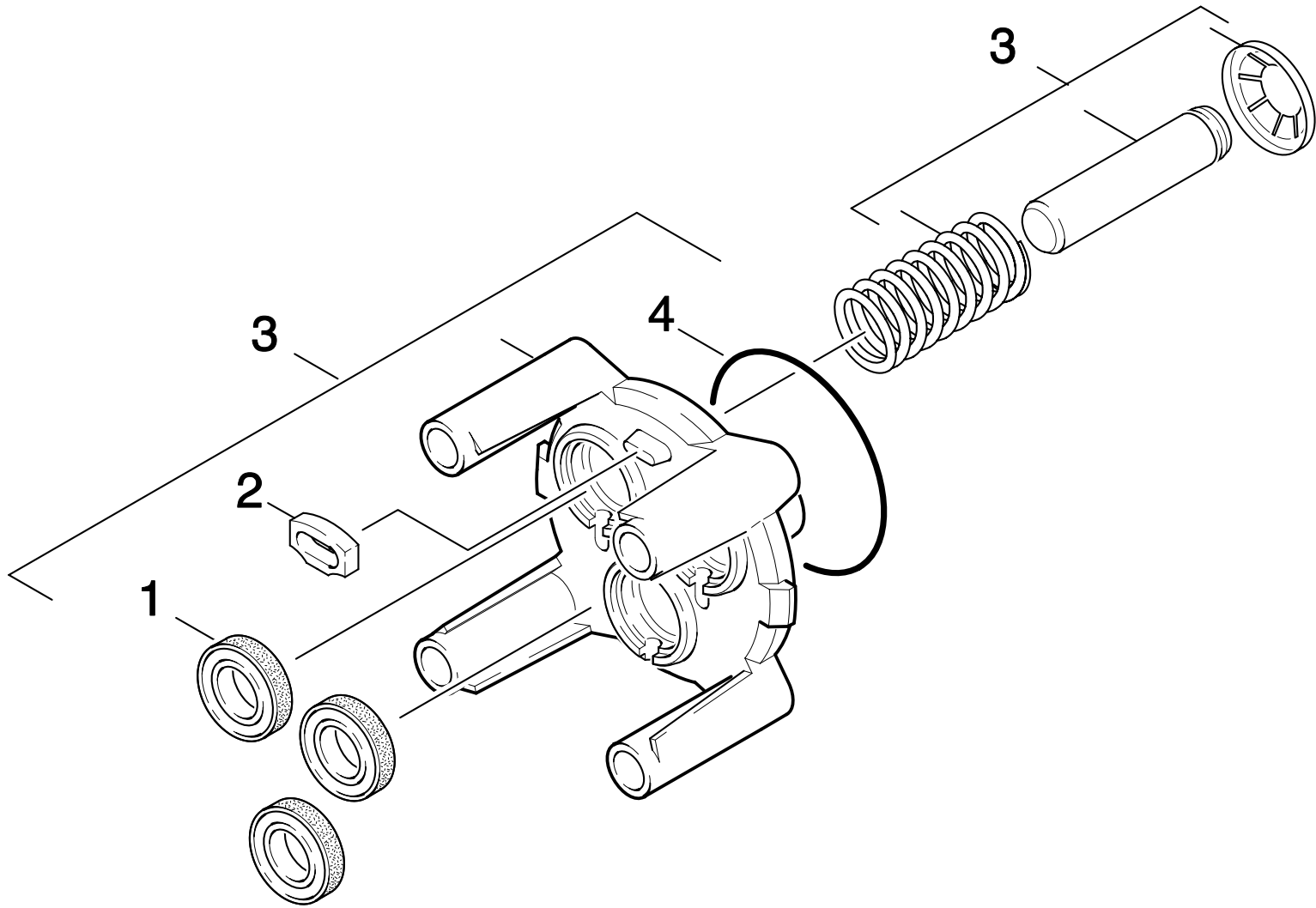
**HOUSING**

updated 20 Jan 2010

POS ITM. POS.	BENENNUNG DESCRIPTION DESIGNATION	TEILE-NR PART-NO NO. PIECE	STCK QTY. NBR	AB WERK-NR FROM SERIAL-NO TO SERIAL-NO	BIS WERK-NR
---------------------	---	----------------------------------	---------------------	---	-------------

0001	HP OUTLET ELBOW WITH O-RING	9.036-703.0	1		
0002	METAL FORK	9.039-148.0	2		
0003	SCREW M8x55	9.086-200.0	4		
0004	O-RING SEAL 18.0x3.0	9.081-421.0	1		
0005	METAL COVER	9.039-166.0	1		
0006	QUICK CONNECT CONNECTION 3/4"	6.389-870.0	1		
0007	DETERGENT INLET ELBOW	9.011-285.0	1		
0008	CONTROL HEAD	9.001-361.0	1	10000	299999
0009	WATER INLET ELBOW	9.001-271.0	1		
0010	FORM SEAL	9.081-422.0	1		
0011	CYLINDER HEAD COMPLETE	9.001-215.0	1		
0013	GROOVED SEAL / WATER SEAL	6.362-875.0	3		
	SUPPORTING DISK / SPACER SLEEVE	9.036-322.0	3		
0014	MOULDED PART / CYLINDER HEAD	9.001-110.0	1		
0015	VALVE SEAT WITH SPRING (SET OF 3)	9.001-149.0	1		
0016	JOINING PIECE	9.001-106.0	1		
0017	CAGE COMPLETE	9.001-107.0	1		
0018	SPRING	9.047-026.0	1		
0019	INJECTOR WITH O-RINGS COMPLETE	9.001-108.0	1		
0020	WATER INLET SUCTION ELBOW	9.001-310.0	1		

# THRUST GUIDANCE





## THRUST GUIDANCE

POS ITM. POS.	BENENNUNG DESCRIPTION DESIGNATION	TEILE-NR PART-NO NO. PIECE	STCK QTY. NBR	AB WERK-NR FROM SERIAL-NO TO SERIAL-NO	BIS WERK-NR
---------------------	---	----------------------------------	---------------------	---	-------------

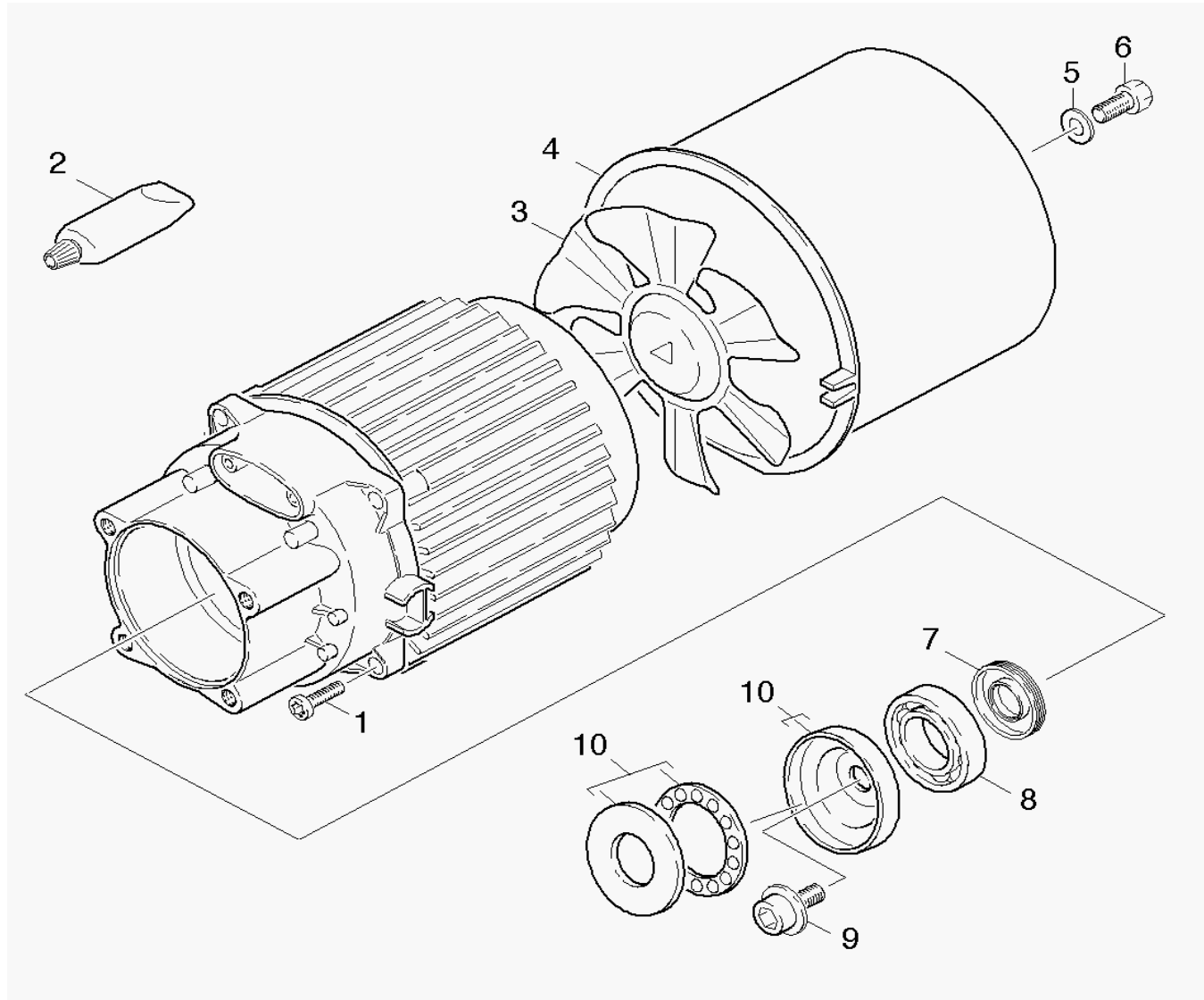
0001	GROOVED RING	6.964-026.0	3,000		
0002	SEAL	9.048-071.0	1,000		
0003	PISTON GUIDANCE	9.001-251.0	1,000		
004	GASKET	6.362 826.0	1,000		

MOTOR



MOTOR

updated 20 Jan 2010



**MOTOR**

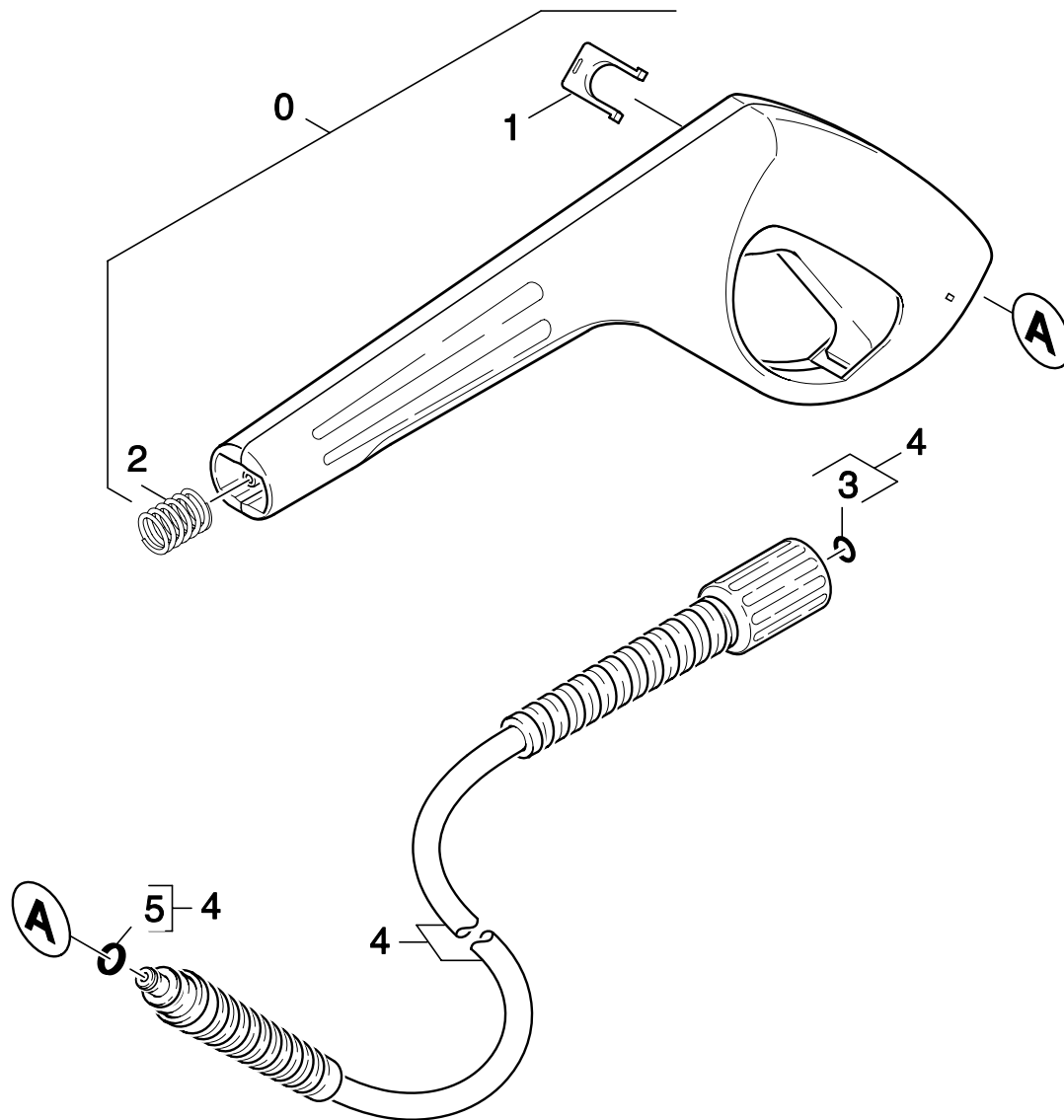
updated 20 Jan 2010

POS ITM. POS.	BENENNUNG DESCRIPTION DESIGNATION	TEILE-NR PART-NO NO. PIECE	STCK QTY. NBR	AB WERK-NR FROM SERIAL-NO TO SERIAL-NO	BIS WERK-NR
---------------------	---	----------------------------------	---------------------	---	-------------

0001	CYLINDER HEAD SCREW	9.086-153.0	4,000		
0002	VISCOUS OIL 50ml	6.964-092.0	1,000		
0003	BLOWER WHEEL	9.039-188.0	1,000		
0004	HOUSING	6.964-090.0	1,000		
0005	SERRATED LOCK WASHER A8.4	7.312-233.0	1,000		
0006	HEXAGONAL HEAD SCREW M8x16	7.304-395.0	1,000		
0007	ROTARY SHAFT SEAL 17x35x5	9.078-007.0	1,000		
0008	BALL BEARING 6303	7.401-010.0	1,000		
0009	WOBBLE PLATE SCREW M8x16	9.086-169.0	1,000		
0010	SWASH PLATE	9.001-302.0	1,000		



# TRIGGER GUN



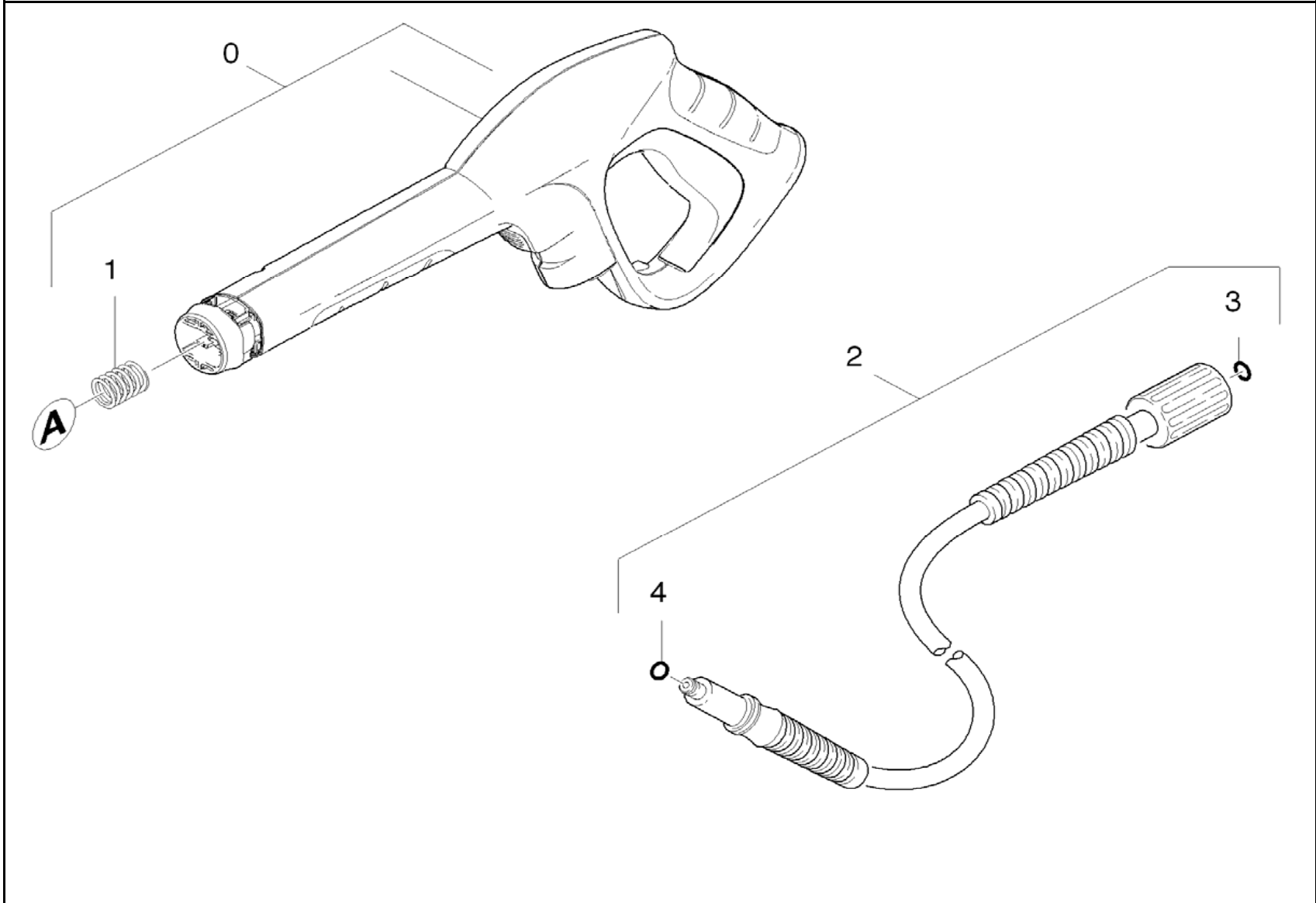
**TRIGGER GUN**

POS ITM. POS.	BENENNUNG DESCRIPTION DESIGNATION	TEILE-NR PART-NO NO. PIECE	STCK QTY. NBR	AB WERK-NR FROM SERIAL-NO TO SERIAL-NO	BIS WERK-NR
---------------------	---	----------------------------------	---------------------	---	-------------

0000	PISTOL	4.775-389.0	1,000		
0001	CLAMP	5.037-137.0	1,000		
0002	PRESSURE SPRING	5.332-464.0	1,000		
0003	SPARE PARTS KIT	2.880-296.0	1,000		
0004	HOSE	6.390-499.0	1,000		
0005	GASKET	6.363-198.0	1,000		

HAND TRIGGER GUN

updated 20 Jan 2010





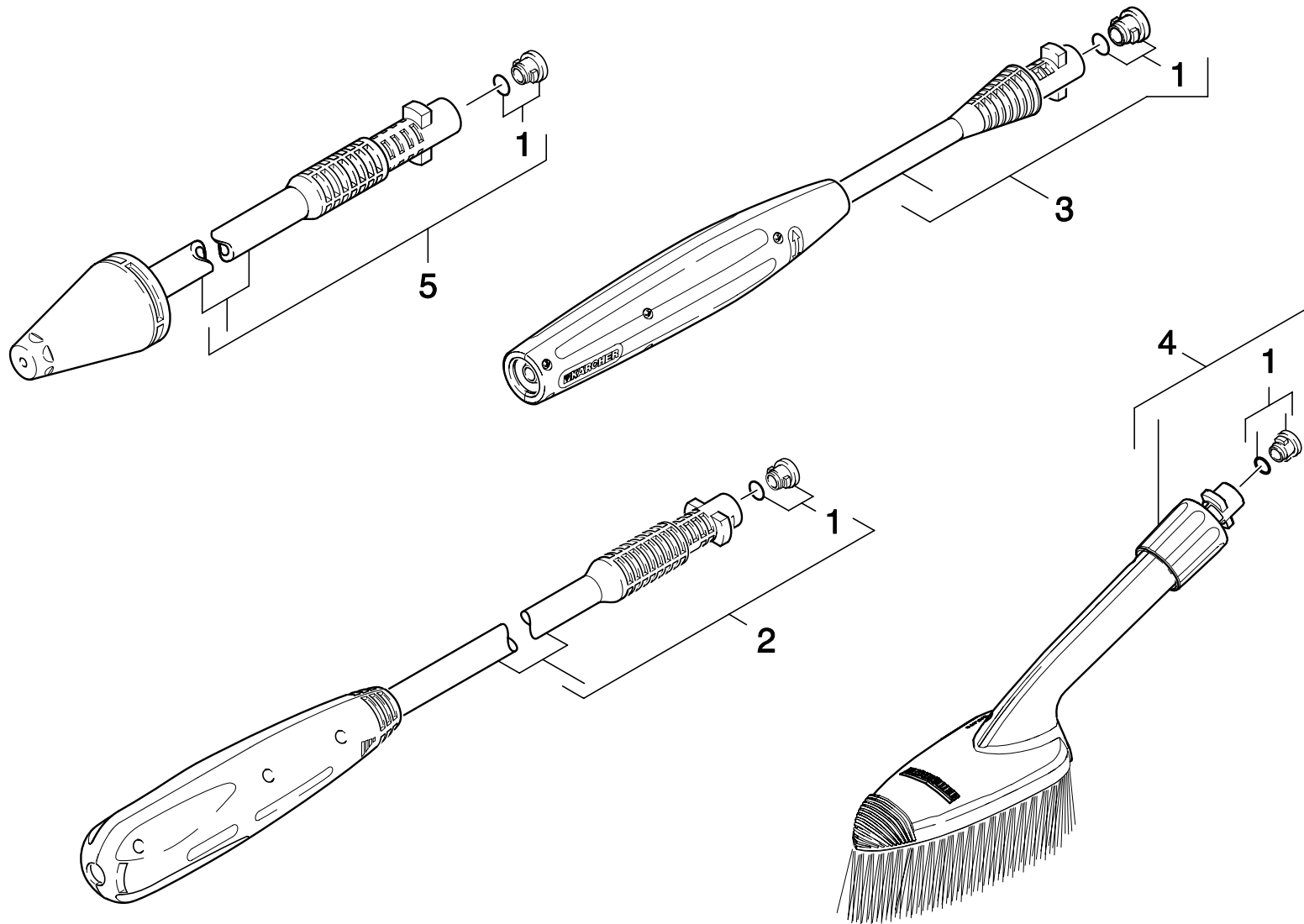
**HAND TRIGGER GUN**

updated 20 Jan 2010

POS ITM. POS.	BENENNUNG DESCRIPTION DESIGNATION	TEILE-NR PART-NO NO. PIECE	STCK QTY. NBR	AB WERK-NR FROM SERIAL-NO TO SERIAL-NO	BIS WERK-NR
---------------------	---	----------------------------------	---------------------	---	-------------

0000	TRIGGER GUN	2.641-610.0	1,000		
0001	PRESSURE SPRING	5.332-464.0	1,000		
0002	HIGH PRESSURE HOSE 16MPa/9m 60°C	2.641-706.0	1,000		
0003	O-RING SEAL 10.0x2.0 (5 PACK)	2.880-296.0	1,000		
0004	O-RING SEAL 5.7x1.78	6.363-410.0	1,000		

# JET-PIPE

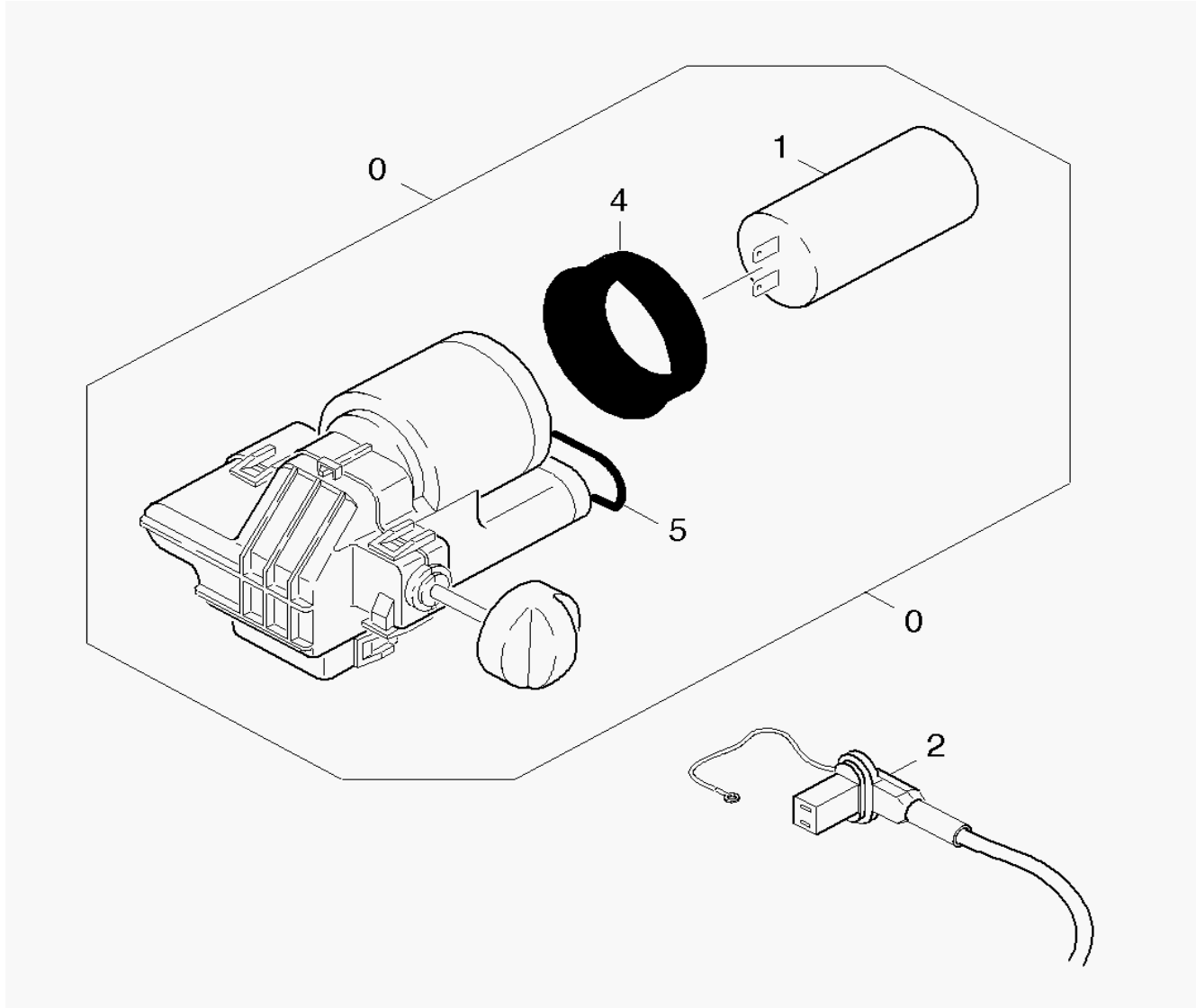


**JET-PIPE**

POS ITM. POS.	BENENNUNG DESCRIPTION DESIGNATION	TEILE-NR PART-NO NO. PIECE	STCK QTY. NBR	AB WERK-NR FROM SERIAL-NO TO SERIAL-NO	BIS WERK-NR
---------------------	---	----------------------------------	---------------------	---	-------------

0001	SPARE PARTS SET	2.883-111.0	1,000		
0002	QUADRUPLE NOZZL	4.760-570.0	1,000		
0003	VPS K3 0225	4.760-575.0	1,000		
0004	BRUSH	2.640-589.0	1,000		
0005	ROTARY NOZZLE	4.763-991.0	1,000		





**ELECTRIC BOX**

updated 20 Jan 2010

POS ITM. POS.	BENENNUNG DESCRIPTION DESIGNATION	TEILE-NR PART-NO NO. PIECE	STCK QTY. NBR	AB WERK-NR FROM SERIAL-NO TO SERIAL-NO	BIS WERK-NR
---------------------	---	----------------------------------	---------------------	---	-------------

0000	ELECTRIC BOX COMPLETE	9.012-055.0	1,000		
0001	CAPACITOR 60 $\mu$ F	6.661-196.0	1,000		
0002	CABLE WITH PLUG	9.084-119.0	1,000	400,000	
0004	JOINT RING CAPACITOR D. 45.70 SHORE	9.080-421.0	1,000		
0005	O-RING D. 20.0x2.0	9.081-417.0	1,000		