



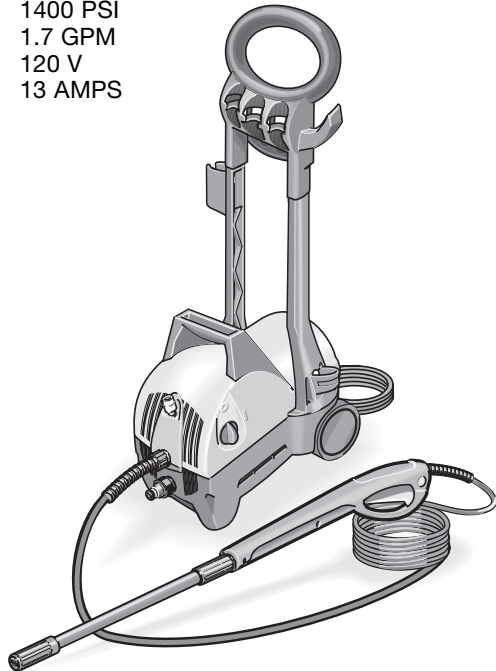
Model K 390 M plus

High Pressure Washer Operator Manual

| | |
|---|-------|
| Overview | 2 |
| Precautions | 2-4 |
| Assembly Instructions | 4 |
| Operating Instructions | 5 |
| Using the Accessories | 6 |
| Working with Detergents | 7 |
| Shut Down and Clean-Up | 8 |
| Taking a Break | 8 |
| Winterizing and Long-Term Storage | 8 |
| Cleaning Tips | 9-10 |
| Optional Cleaning Accessories | 10 |
| Troubleshooting | 11-12 |
| French | 13 |

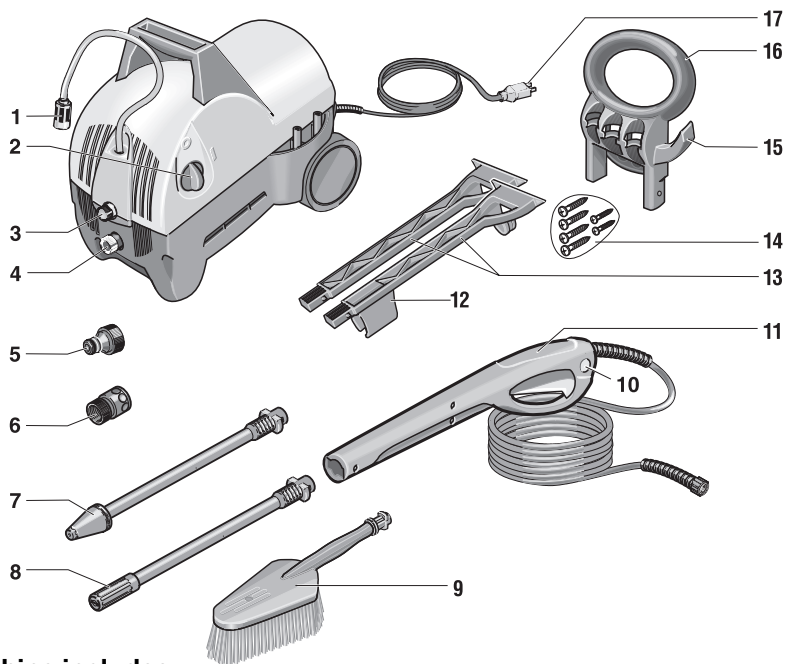
Specifications

| | |
|-------------------|----------|
| Max. Pressure | 1400 PSI |
| Max. Water volume | 1.7 GPM |
| Voltage | 120 V |
| Amp draw | 13 AMPS |



Please keep the original box, packaging and receipt.
 Before operating this unit, please read this manual
 thoroughly and retain it for future reference.

OVERVIEW High Pressure Washer



Machine includes

- | | |
|-------------------------------------|--|
| 1 Detergent filter and suction tube | 10 Trigger gun safety lock |
| 2 On/Off switch | 11 Trigger gun with high pressure hose |
| 3 High pressure outlet | 12 Trigger gun holder |
| 4 Water inlet | 13 Mobile adapter bracket (qty. 2) |
| 5 Quick connect adapter male | 14 Package of 6 screws |
| 6 Quick connect adapter female | 15 Hose/cord caddy |
| 7 Rotary nozzle | 16 Handle |
| 8 High/Low pressure nozzle | 17 Power cord |
| 9 Cleaning brush | |

NEVER!

Never point nozzle at people or animals.

Never drink alcohol or use drugs while operating this equipment.

Never operate while standing in water.

Never touch plug with wet hands.

Never let electrical connections rest in water.

Never operate pressure washer without the water turned on.

Never use hot water.

**THE BEST ANTI-FREEZE PROTECTION IS PROVIDED BY
STORING THE MACHINE IN SHELTERED SPACE**

IMPORTANT PRECAUTIONS – Read First!



Safety Warnings

When using this product basic precautions should always be followed:

- Read all the instructions before using the product.
- High pressure jets can be dangerous if subject to misuse. The jet must not be directed at persons, animals, electrical devices, or the machine itself.
- To reduce the risk of injury, do not operate the machine near children.
- Learn how to stop the machine and release pressure quickly. Be thoroughly familiar with the controls.
- Stay alert — watch what you are doing.
- Wear safety goggles.
- Do not use acids, solvents, or any other flammable material in this product. These products can cause physical injuries to the operator and irreversible damage to the machine.
- Do not operate the product when fatigued or under the influence of alcohol or drugs.
- Do not stand on unstable surfaces. Stand with both feet balanced at all times.
- To reduce the risk of electrocution, keep all connections dry and off the ground. Do not touch plug with wet hands.
- The Trigger Gun Safety Lock PREVENTS the trigger from accidentally being engaged. This safety feature DOES NOT lock trigger in the on position.

WARNING

- DO NOT USE WITH FLAMMABLE LIQUIDS AND TOXIC CHEMICALS.
- INJECTION HAZARD: EQUIPMENT CAN CAUSE SERIOUS INJURY IF THE SPRAY PENETRATES THE SKIN. DO NOT POINT THE GUN AT ANYONE OR ANY PART OF THE BODY. IN CASE OF PENETRATION SEEK MEDICAL AID IMMEDIATELY.
- THIS SYSTEM IS CAPABLE OF PRODUCING 1400 PSI. TO AVOID HYPERTENSION AND INJURY, DO NOT OPERATE THIS PUMP WITH COMPONENTS RATED LESS THAN 1400 PSI WORKING PRESSURE (INCLUDING BUT NOT LIMITED TO SPRAY GUNS, HOSE AND HOSE CONNECTIONS).
- BEFORE SERVICING, CLEANING OR REMOVAL ANY PARTS, SHUT OFF POWER AND RELIEVE PRESSURE.

Extension Cords

Use a sufficient gauge:
Up to 25 ft = 12/2 AWG;
25 to 50 ft = 10/2 AWG.

Use only extension cords that are intended for outdoor use. These extension cords are identified by a marking “Acceptable for use with outdoor appliances; store indoors while not in use.” Use only extension cords having an electrical rating not less than the rating of the product. Do not use damaged extension cords. Examine extension cord before using and replace if damaged. Do not abuse extension cord and do not yank on any cord to disconnect. Keep cord away from heat and sharp edges. Always disconnect the extension cord from the receptacle before disconnecting the product from the extension cord. If you are using an extension cord, it should always be completely unwound from the cable drum.

This Product is double insulated

In a double-insulated product, two systems of insulation are provided instead of grounding. No grounding method is provided on a double-insulated product, nor should a method for grounding be added to the product. Servicing a double-insulated product requires extreme care and knowledge of the system, and should be done only by qualified service personnel. Replacement parts for a double-insulated product must be identical to the parts they replace. A double-insulated product is marked with the words “DOUBLE-INSULATION” or “DOUBLE-INSULATED”.



Caution

- Follow the maintenance instructions specified in the manual.
- This machine has been designed for use with cleaning detergent supplied or recommended by the manufacturer. The use of other cleaning detergents may affect the operation of the machine and void the warranty.

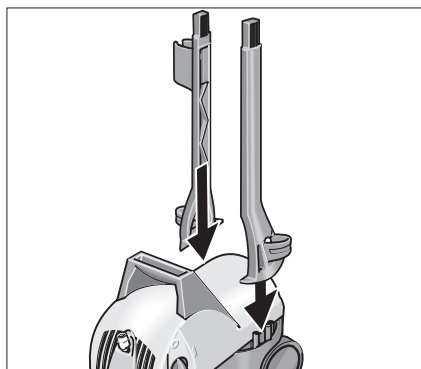
IMPORTANT PRECAUTIONS – *continued*

Water Supply (Cold Water Only)

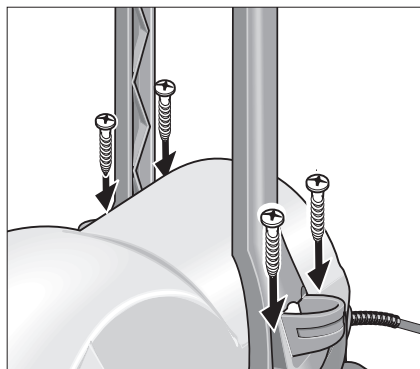
- Water hose must be at least 3/4 inch in diameter.
- Flow rate of water supply must not fall below 2 GPM (gallons per minute).
- Flow rate can be determined by running the water for one minute into an empty 5-gallon container.
- The water supply temperature must not exceed 104°F/40°C.
- Never use the pressure washer to draw in water contaminated with solvents, e.g. paint thinners, gasoline, oil, etc.
NOTE: Dirt in the feed water will damage the unit. To avoid this risk, we recommend fitting a water filter.
- Always prevent debris from being drawn into the unit by using a clean water source and an accessory water filter if required.

ASSEMBLY INSTRUCTIONS

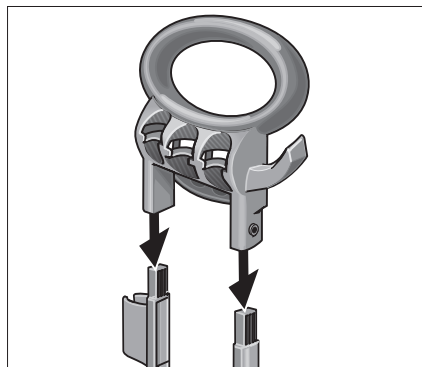
4



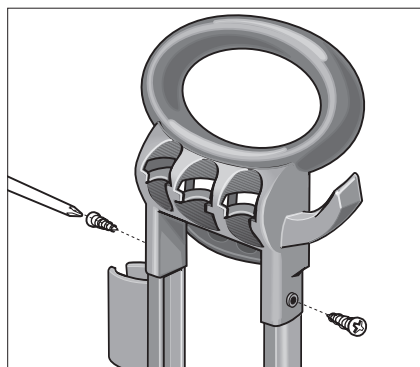
Step 1 Align holes on adapter brackets with the posts on pressure washer as shown.



Step 2 Insert each of the four long screws and tighten.

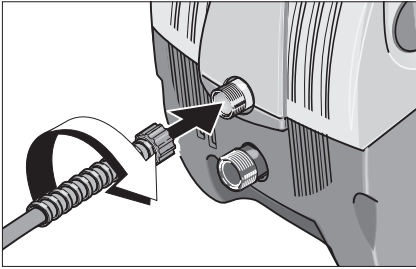


Step 3 Before pressing down handle onto top of adapter brackets, the hose/cord caddy and trigger gun holder must be on opposite sides.



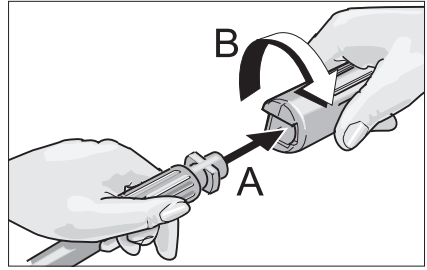
Step 4 Insert each of the two short screws and tighten.

OPERATING INSTRUCTIONS



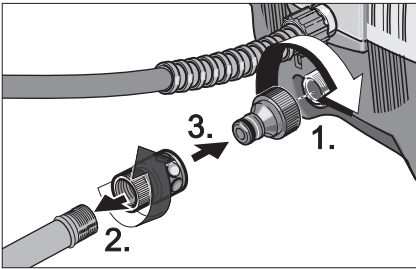
Step 1

Connect the high pressure hose to the unit's high pressure outlet.



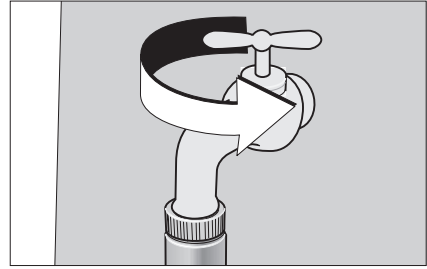
Step 2

Insert the spray wand of your choice into the trigger gun. Press in against the spring tension (A) and twist into the locked position (B).



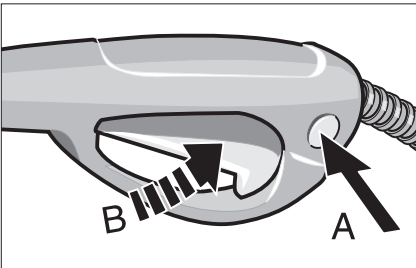
Step 3

Connect garden hose to unit's water inlet using the quick connect adapter.



Step 4

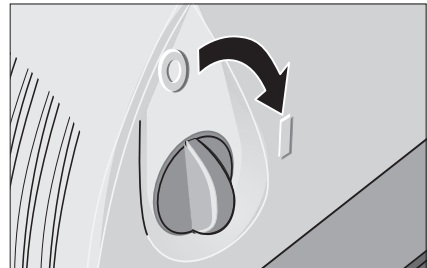
Connect garden hose to the cold water source and turn water on completely.



Step 5

Plug the power cord into the power outlet. Unlock the lock of the trigger gun (A). Trigger the gun to eliminate trapped air, wait for a steady flow of water to emerge from the spray nozzle (B).

NOTE: This unit is equipped with a pressure switch. The motor only starts up when the trigger on the gun is pulled.



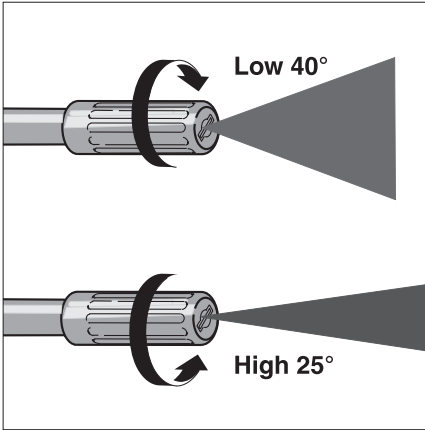
Step 6

Turn on the pressure washer (I).
The motor starts only if the trigger of the gun is pulled and shuts off when the trigger is released.

USING THE ACCESSORIES

High/low pressure nozzle

This nozzle features two positions. The high setting provides a steady powerful 25° high pressure spray pattern, for general cleaning. The low setting creates a wider 40° low pressure pattern.



6

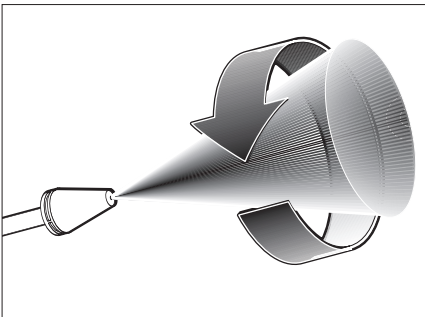
Turn the wand nozzle clockwise for high pressure. Turn counter clockwise for low pressure.

NOTE: Detergent is applied with the nozzle set at low pressure.

Rotary nozzle

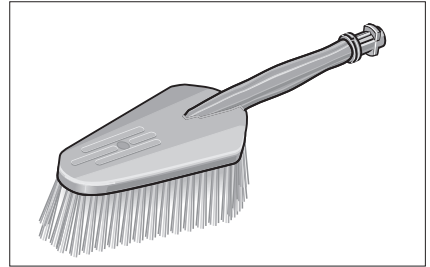
This nozzle features a 0° pencil jet which rotates 360° for maximum dirt cutting action, effectively increasing cleaning performance up to 40 %. This nozzle combines the cleaning performance of a 0° pencil jet with the surface coverage of a wide angle nozzle.

Not recommended for soft materials, siding, painted surfaces, decks or autos.



Wash brush

This brush is ideal for removing stubborn dirt and stains from finished surfaces. Use with detergent.

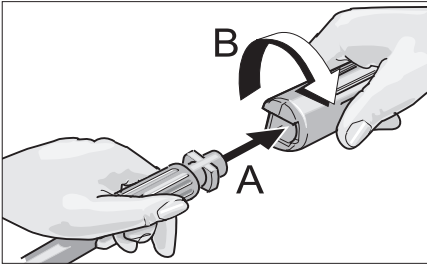


Warning

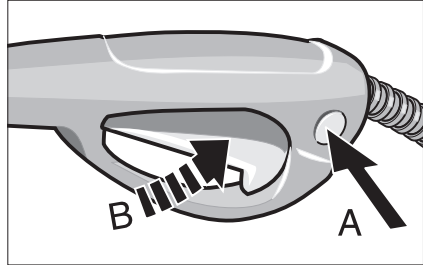
**TO AVOID SERIOUS INJURY,
NEVER POINT SPRAY NOZZLE
AT YOURSELF, OTHER PERSONS
OR ANIMALS**

WORKING WITH DETERGENTS

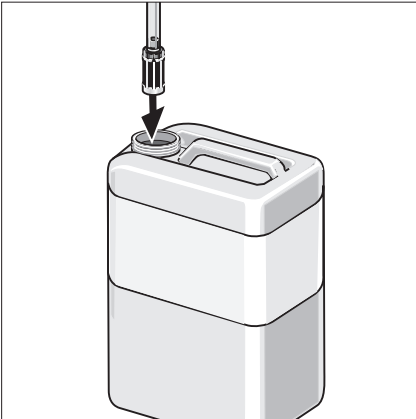
Kärcher Pressure washers operate at two pressures. The high pressure is used for cleaning, you cannot apply detergents when working at high pressure. To apply detergents you must be operating at low pressure.



Step 1 Install the High/Low pressure nozzle. Set the nozzle to the low pressure setting by turning the nozzle collar. The nozzle must be set in the low pressure position to apply detergents.



Step 3 Turn on the pressure washer. Pull trigger to operate unit: Liquid detergent is drawn into the unit and mixed with water. Apply detergent to work area. Do not allow detergent to dry on surface.



Step 2 Place the filter end of detergent suction tube into the jug.

Always Use Kärcher Detergents for Best Results.

Kärcher biodegradable detergents are specially formulated to protect the environment and your pressure washer. The special formula won't clog the suction tube filter and will protect the internal parts of the pressure washer for a longer life. For Kärcher Detergents, check your retailer or call:

1-800-465-4980

The following Kärcher detergents are available:

- Vehicle Wash
- Degreaser
- Multipurpose Cleaner



Caution

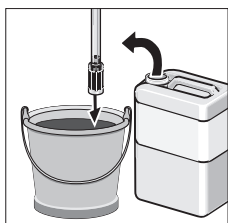
Never use:

- Bleach, Chlorine products and other corrosive chemicals
- Liquids containing solvents (i.e., paint thinners, gasoline, oils)
- Tri-sodium phosphate products
- Ammonia products
- Acid-based products

These chemicals will harm the unit and will damage the surface being cleaned.

For best results see Cleaning Tips on pages 9 & 10 for specific information on how to clean different surfaces.

SHUTTING DOWN & CLEAN-UP



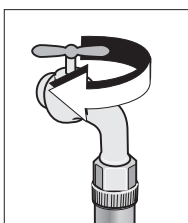
Step 1

Remove detergent suction tube from jug and insert into 1 gallon (5 L) of fresh water. Siphon water at low pressure for one minute.



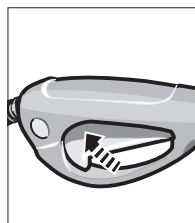
Step 2

Turn the switch to off (O) position and unplug cord from outlet.



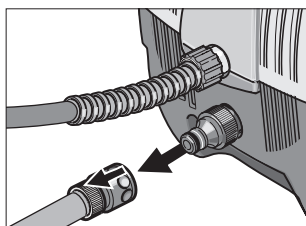
Step 3

Turn off the water source.



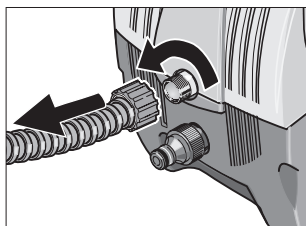
Step 4

Press trigger to release water pressure.



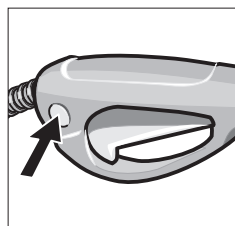
Step 5

Disconnect the garden hose from the water inlet on the unit.



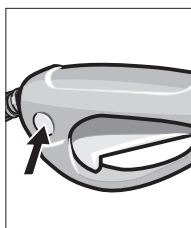
Step 6

Disconnect the high pressure hose from the high pressure outlet and engage the gun safety lock.



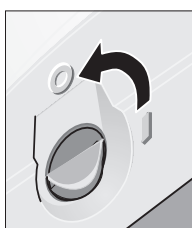
8

TAKING A BREAK... five minutes or more



Step 1

Engage gun safety lock.



Step 2

Turn pressure washer to off (O) position.

WINTERIZING AND LONG-TERM STORAGE

1. Disconnect all water connections.
2. Turn on the machine for a few seconds, until the water which had remained in the pump exits. Turn off immediately.
3. Do not allow high pressure hose to become kinked.
4. Store the machine and accessories in a room which does not reach freezing temperatures. DO NOT store near furnace or other sources of heat as it may dry out the pump seals.

Caution: Failure to follow the above directions will result in damage to the pump assembly and accessories.

CLEANING TIPS

Deck Cleaning

(with or without Kärcher Pressure Wash Detergent)

Pre-rinse deck and surrounding area with fresh water. If using Pressure Wash, place detergent suction tube directly into cleaning solution and apply to surface at low pressure. For best results, limit your work area to smaller sections of approximately 25 square feet. Allow Pressure Wash to on surface 1-3 minutes. Do not allow detergent to dry on surface. Rinse at high pressure in a long sweeping motion keeping the spray nozzle approximately 3-6 inches from the cleaning surface. Always clean from top to bottom and from left to right. When moving on to a new section of the cleaning surface, be sure to overlap the previous section to eliminate stop marks and ensure a more even cleaning result.

Caution: Do not use rotary nozzle on wood surfaces as it may cause damage.

House Siding

(with or without detergent)

Pre-rinse cleaning surface with fresh water. If using Pressure Wash, place detergent

and apply to surface at low pressure (for best results, limit your work area to sections of approximately 6 feet and always apply detergent from bottom to top). Allow Pressure Wash to remain on surface 1-3 minutes. Do not allow detergent to dry on surface, if surface appears to be drying, simply wet down surface with fresh water. If needed, use the special Wash Brush attachment to remove stubborn dirt. Rinse at high pressure from top to bottom in an even sweeping motion keeping the spray nozzle approximately 6 inches from the cleaning surface.

Caution: Do not use rotary nozzle on siding as it may cause damage.

Cement Patios, Brick and Stone

(with or without detergent)

Pre-rinse cleaning surface with fresh water. If using Pressure Wash, place detergent suction tube directly into cleaning solution and apply to surface at low pressure. For best results, limit your work area to smaller sections of approximately 25 square feet. Allow Pressure Wash to remain on surface 1-3 minutes. Do not allow detergent to dry on surface. Rinse at high pressure in a sweeping motion keeping the spray nozzle approximately 3-6 inches from the cleaning surface. Always clean from top to bottom and from left to right. For removing extremely stubborn stains, use the Rotary Nozzle.

Cars, Boats & Motorcycles

(with or without detergent)

Pre-rinse vehicle with fresh water. If using Vehicle Wash, place detergent suction tube directly into cleaning solution and apply to surface at low pressure. For best results, clean one side of vehicle at a time and always apply detergent from bottom to top, do not allow detergent to dry on surface. If needed, use the special Wash Brush attachment to remove stubborn dirt. Rinse at high pressure in a sweeping motion keeping the spray nozzle approximately 6-8 inches from the cleaning surface (distance should increase when rinsing pin-striping or other sensitive surfaces). Always clean from top to bottom and from left to right. For best results, wipe surface dry with a chamois or soft dry cloth.

Caution: Do not use rotary nozzle on vehicles as it may cause damage.

CLEANING TIPS – *continued*

Barbecue Grills, Outdoor Power Equipment & Gardening Tools

(with or without detergent)

Pre-rinse cleaning surface with fresh water. If using Pressure Wash or Degreaser, place detergent suction tube directly into cleaning solution and apply detergent at low pressure. Allow detergent to remain on surface 1-3 minutes. Do not allow detergent to dry on surface. Rinse at high pressure keeping the spray nozzle approximately 3-6 inches from the cleaning surface. For removing extremely stubborn dirt, it may be necessary to move the spray nozzle even closer to the surface for greater dirt cutting action. To remove caked on mud from garbage cans, lawn mower blades, wheel barrels or other non-sensitive metal surfaces, you may want to use the Rotary Nozzle.

Caution: Do not use rotary nozzle on cloth, plastic or other sensitive surfaces as it may cause damage.

Patio & Lawn Furniture (with or without detergent)

Pre-rinse furniture and surrounding area with fresh water. If using Pressure Wash, place detergent suction tube directly into cleaning solution and apply to surface at low pressure. Allow All Purpose Cleaner to remain on surface 1-3 minutes. Do not allow detergent to dry on surface. If needed use special Wash Brush attachment to remove stubborn dirt. Rinse at high pressure in a sweeping motion keeping the spray nozzle approximately 3-6 inches from the cleaning surface. For best results, clean from top to bottom and from left to right.

Caution: Do not use rotary nozzle on patio or lawn furniture as it may cause damage.

Recommendations

- Before cleaning any surface an inconspicuous area should be cleaned to test spray pattern and distance for maximum cleaning results.
- If painted surfaces are peeling or chipping, use extreme caution as pressure washer may remove the loose paint from the surface.

10

OPTIONAL CLEANING

Optional cleaning accessories are available to further enhance your cleaning capabilities: See your retailer or call 1-800-465-4980 for more information.

- Rotating Wash Brush
- Wash Brush
- Underbody Wand
- Pipe Drain Cleaner
- Sandblasting Attachment
- Water Siphon Kit
- 25' Extension Hose

KARCHER 2 YEAR WARRANTY

KARCHER CANADA INC. warrants to the original owner that this product shall be free from defects in material and workmanship for **two years** from the date of its original purchase. If such a defect appears during the warranty period, upon presentation of proof of purchase, KARCHER CANADA INC. will repair or replace (at its option) your product without charge. This warranty does not cover accidental damage, unreasonable use, normal wear and tear, loss of use or other consequential damages, nor does it cover repairs made or attempted by unauthorized persons.

Please note that no returns will be accepted without prior authorization from our customer service department.

It is the owner's responsibility to file claims for damage caused by public transportation carriers directly with the carrier concerned.

TROUBLESHOOTING

Disconnect the machine from the power source before making any repair.

| Symptom | Cause | Solution |
|---|--|---|
| Motor will not start | On/Off switch is in the "OFF" (O) position. | Turn switch to the "ON" (I) position |
| | Power cord is not plugged in. | Plug in power cord. |
| | Extension cord is too long. Extension cord is not proper gauge. Extension cord is damaged. | Replace extension cord with either a 25 ft. 12/2 gauge cord or a 50 ft. 10/2 gauge cord. |
| | Electrical outlet does not supply adequate power. | Try a different outlet. |
| | Tripped circuit breaker | Reset breaker (power supply) or ground fault circuit interrupter. |
| Unit does not reach high pressure. | Diameter of garden hose is too small. | Replace with a 3/4 inch garden hose. |
| | Water supply is restricted. | Check garden hose for kinks, leaks and blockage. |
| | Not enough inlet water supply. | Open water source full force. |
| | Water inlet filter is clogged. | Remove filter and rinse out in warm water. |
| | Spray wand is in low pressure position. | Turn spray wand to high pressure position. |
| Output pressure varies high and low. | Not enough inlet water supply. | Turn water on full force. Check garden hose for kinks, leaks or blockage. |
| | Pump is sucking air. | Check that hoses and fittings are air tight. Turn off machine and purge pump by squeezing trigger gun until "a steady flow of water emerges through the nozzle. |
| | Water inlet filter is clogged. | Remove filter and rinse out in warm water. |
| | Discharge nozzle is obstructed. | Blow out or remove debris with a fine needle. |
| | Calcified gun, hose or spray wand. | Run distilled vinegar through detergent suction tube. |

TROUBLESHOOTING – *continued*

| Symptom | Cause | Solution |
|--|---|--|
| No detergent. | Detergent suction tube not properly connected to the machine. | Check connection. |
| | Detergent is too thick. | Dilute detergent. |
| | Filter on detergent suction tube is clogged. | Run warm water through filter to remove debris. |
| | Damaged or clogged detergent suction tube. | Remove obstruction or replace detergent suction tube. |
| | Spray wand is in high pressure position. | Turn spray wand tip to low pressure position. |
| | Discharge nozzle is obstructed. | Blow out or remove debris with a fine needle. |
| Garden hose connection leaks. | Loose fittings. | Tighten fittings. |
| | Missing/worn rubber washer. | Insert new washer. |
| Spray wand or Spray wand extension leaks. | Spray wand not properly attached. | Insert the spray wand into the spray wand extension. Carefully press in against the spring tension and twist into the locked position. |
| | Spray wand extension not properly attached. | Slide the spray wand extension into the gun. Turn the wand collar clockwise onto the gun threads until tight. |
| | Broken o-ring or plastic insert. | Call service center and order repair kit. |
| Pump is noisy. | Pump is sucking air. | Check that hoses and fittings are air tight. Turn off machine and purge pump by squeezing trigger gun until a steady flow of water emerges through the nozzle. |
| Water leaks from pump (up to 10 drops per minute is permissible). | Loose fittings. | Check that all fittings are tight. |
| | Water seals are damaged or worn. | Call service center. |
| Oil Drips. | Oil seals are damaged or worn. | Call service center. |

If you encounter any additional difficulties not listed, please call our service center at 1-800-465-4980 for help.