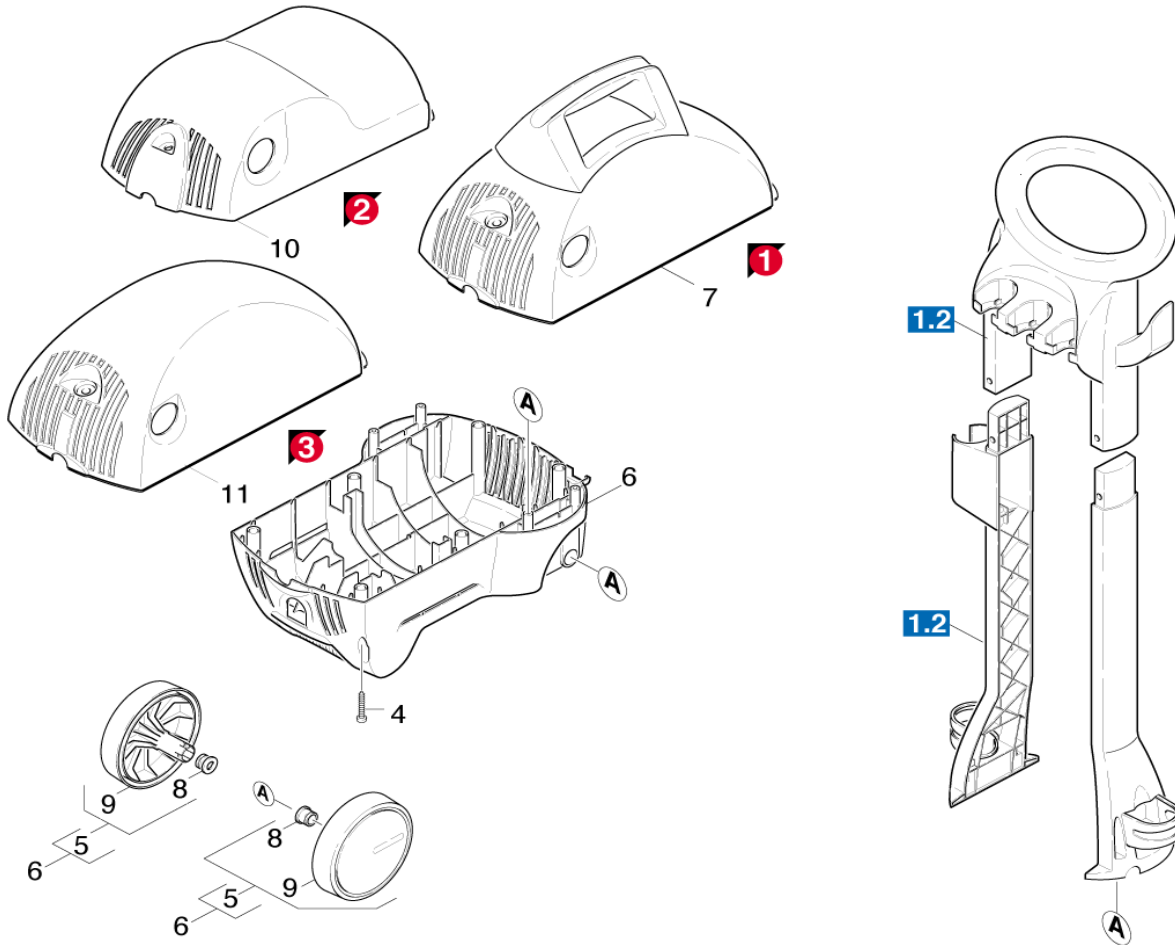


PARTS BREAKDOWN FOR K3.85M+ (1.141-366.0)

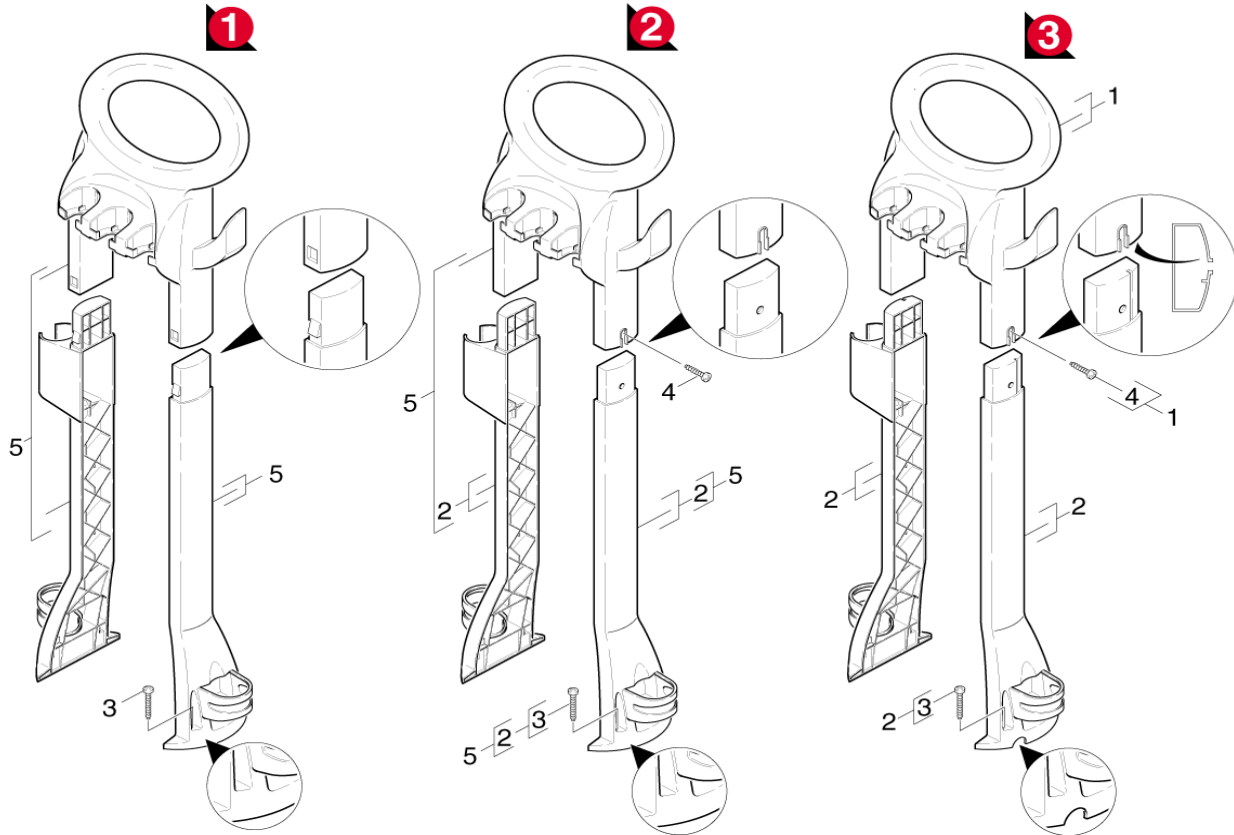
Location	PN	DESCRIPTION	QTY	SERIAL #	
				FROM	TO
PIECE PARTS 1.1					
4	7303-0960	Screw 4x22 -ST-10.9-R2R (IN6RD)	6		
5	9036-1150	Cover with wheel D120	1		
6	9011-3750	Cover bottom part complete	1		
7	9001-1090	Cover top part (K380M-Griff)f.Ersa - Version 1	1		
8	9036-1410	Sleeve	2		
9		Stockpiling discontinued	2		
10	9036-4280	Cover top part - Version 2	1		
11	9036-4230	Cover top part - Version 3	1		



R J Bowers Distributors
 2003 Harrison Ave
 Rockford IL 61104
 E-mail: service@rjbowers.com
 Web: www.rjbowers.com
 (815) 399-8839 (800) 383-6584

PARTS BREAKDOWN FOR K3.85M+ (1.141-366.0)

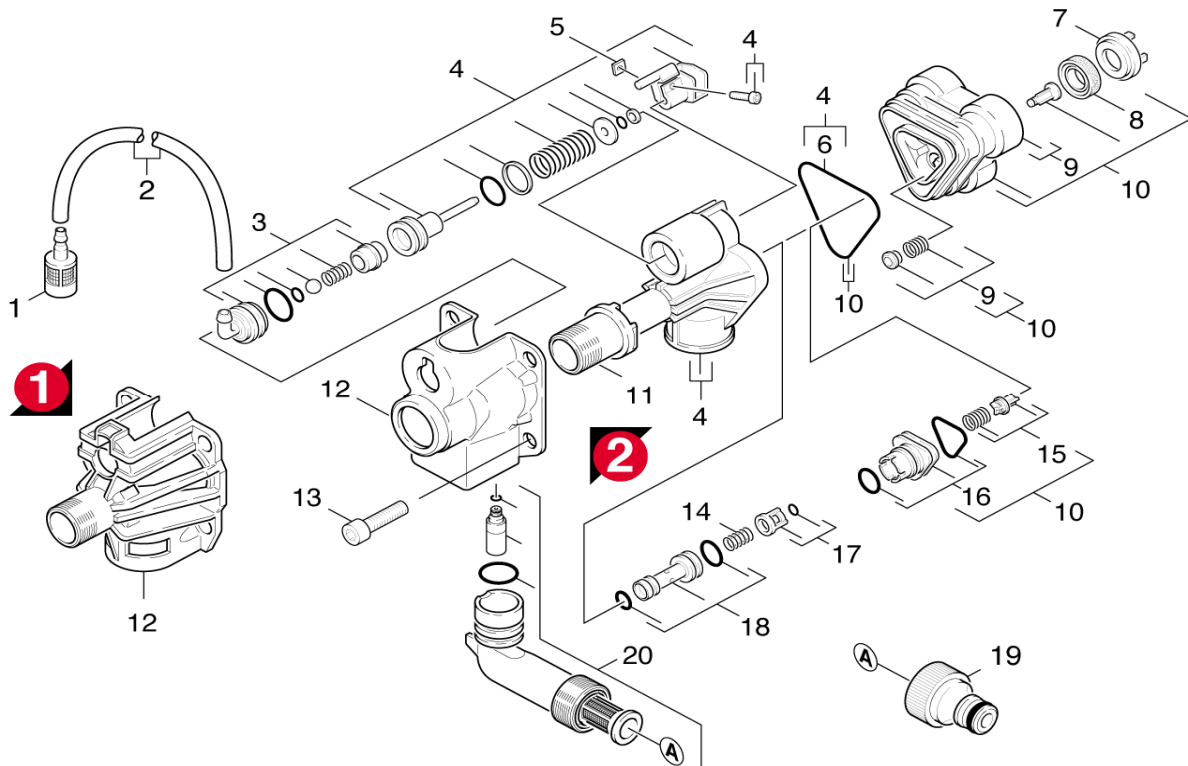
Location	PN	DESCRIPTION	QTY	SERIAL #	
				FROM	TO
PIECE PARTS 1.2					
1	9001-1750	Handhold K 380M ERS. - Version 3	1		
2	9001-1740	Side Part - Version 2 & 3	1		
3	9011-4600	Screw	1		
4	9011-4620	Screw	1		
5	9001-1510	Spare part set Kaercher - Version 1 & 2	1		



R J Bowers Distributors
 2003 Harrison Ave
 Rockford IL 61104
 E-mail: service@rjbowers.com
 Web: www.rjbowers.com
 (815) 399-8839 (800) 383-6584

PARTS BREAKDOWN FOR K3.85M+ (1.141-366.0)

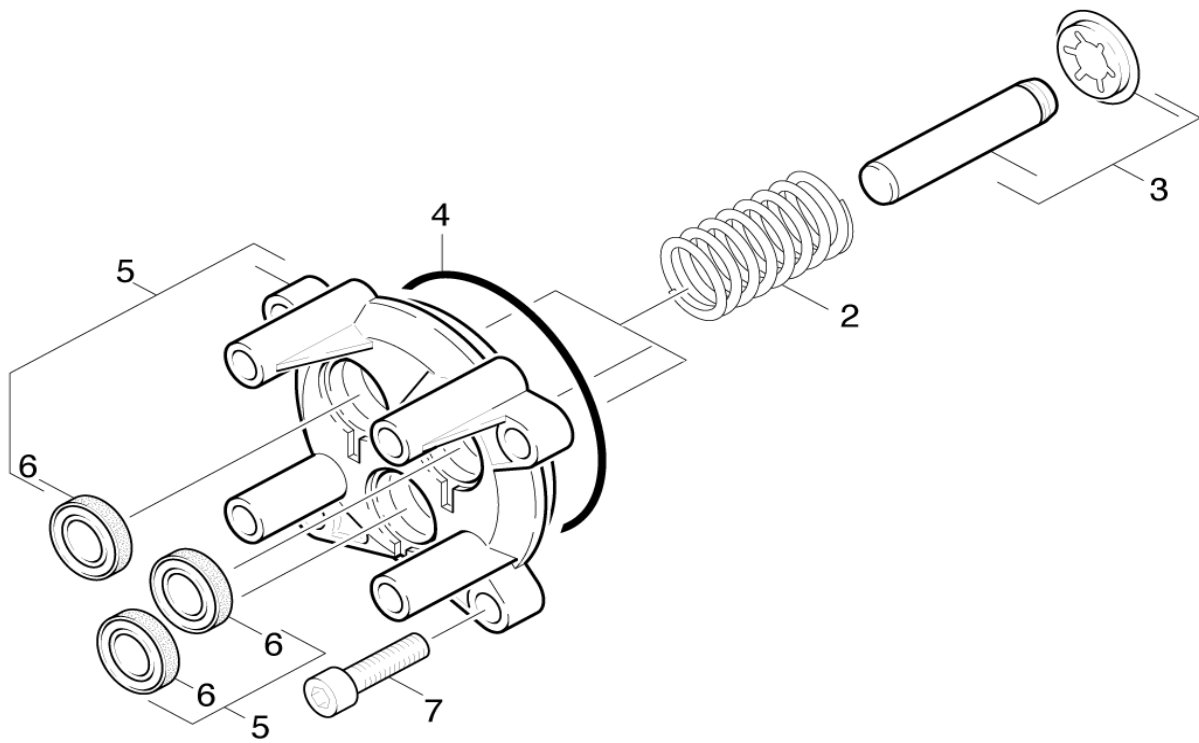
Location	PN	DESCRIPTION	QTY	SERIAL #	
				FROM	TO
PUMP SET - Cylinder Head 2.1					
1	5731-6090	Filter with weight	1		
2	6388-2160	Hose DN 5	1		
3	9001-1030	Spare part set nipple chemistry	1		
4	9001-1040	Spare parts set control head	1		
5	7311-5690	Square nut M4 -04-A2E DIN 562	1		
6	9081-4180	Form seal	1		
7	9036-3220	Supporting disk	3		
8	6362-8750	Grooved ring	3		
9	9001-1100	Moulded part complete	1		
10	9001-1050	Spare parts set cylinder head	1		
11	9036-4440	Sleeve - Version 2	1		
12	9039-1170	Cover - Version 2	1		
12	2889-0750	Spare part set pressure cap - Version 1	1		
13	7306-0420	Cylinder head screw M8x25 -8.8-A2E ISO4	4		
14	9047-0260	Spring	1		
15	9001-1490	Spare parts set valve (3 Pack)	1		
16	9001-1060	Joining piece	1		
17	9001-1070	Cage complete	1		
18	9001-1080	Injector complete	1		
19	6389-8700	Connection 3/4"	1		
20	9001-1870	Inlet Elbow	1		



R J Bowers Distributors
 2003 Harrison Ave
 Rockford IL 61104
 E-mail: service@rjbowers.com
 Web: www.rjbowers.com
 (815) 399-8839 (800) 383-6584

PARTS BREAKDOWN FOR K3.85M+ (1.141-366.0)

Location	PN	DESCRIPTION	QTY	SERIAL #	
				FROM	TO
PUMP SET - Thrust Guidance 2.2					
2	9047-0230	Spring	3		
3	9001-1020	Piston complete (3 Pack)	1		
4	9081-3730	O-Ring seal 70x2-NBR70	1		
5	9001-1010	Thrust guidance	1		
6	6964-0260	Seal	1		
7	7306-0420	Cylinder head screw M8x25 -8.8-A2E ISO4	4		



R J Bowers Distributors

2003 Harrison Ave
Rockford IL 61104

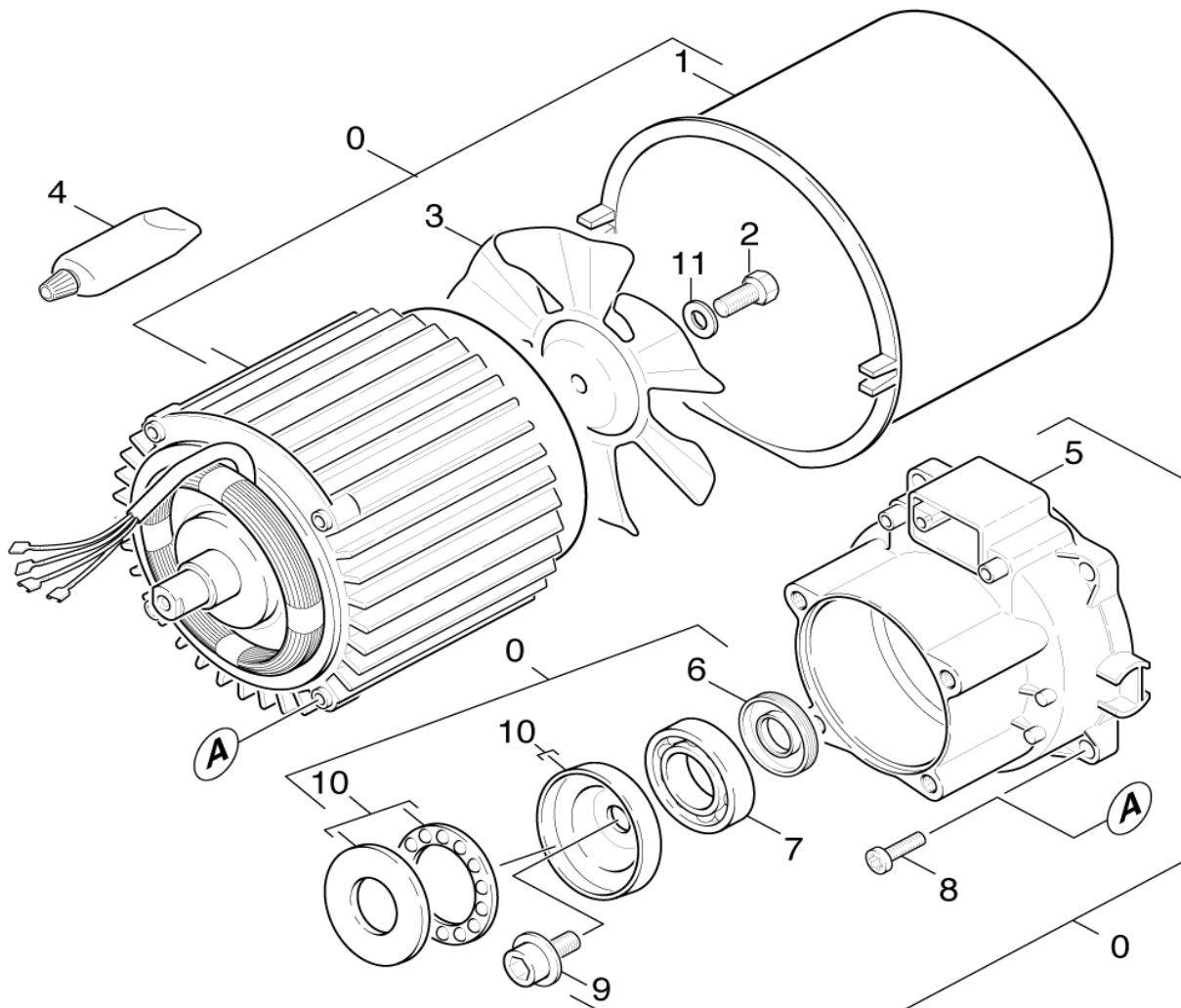
E-mail: service@rjbowers.com

Web: www.rjbowers.com

(815) 399-8839 (800) 383-6584

PARTS BREAKDOWN FOR K3.85M+ (1.141-366.0)

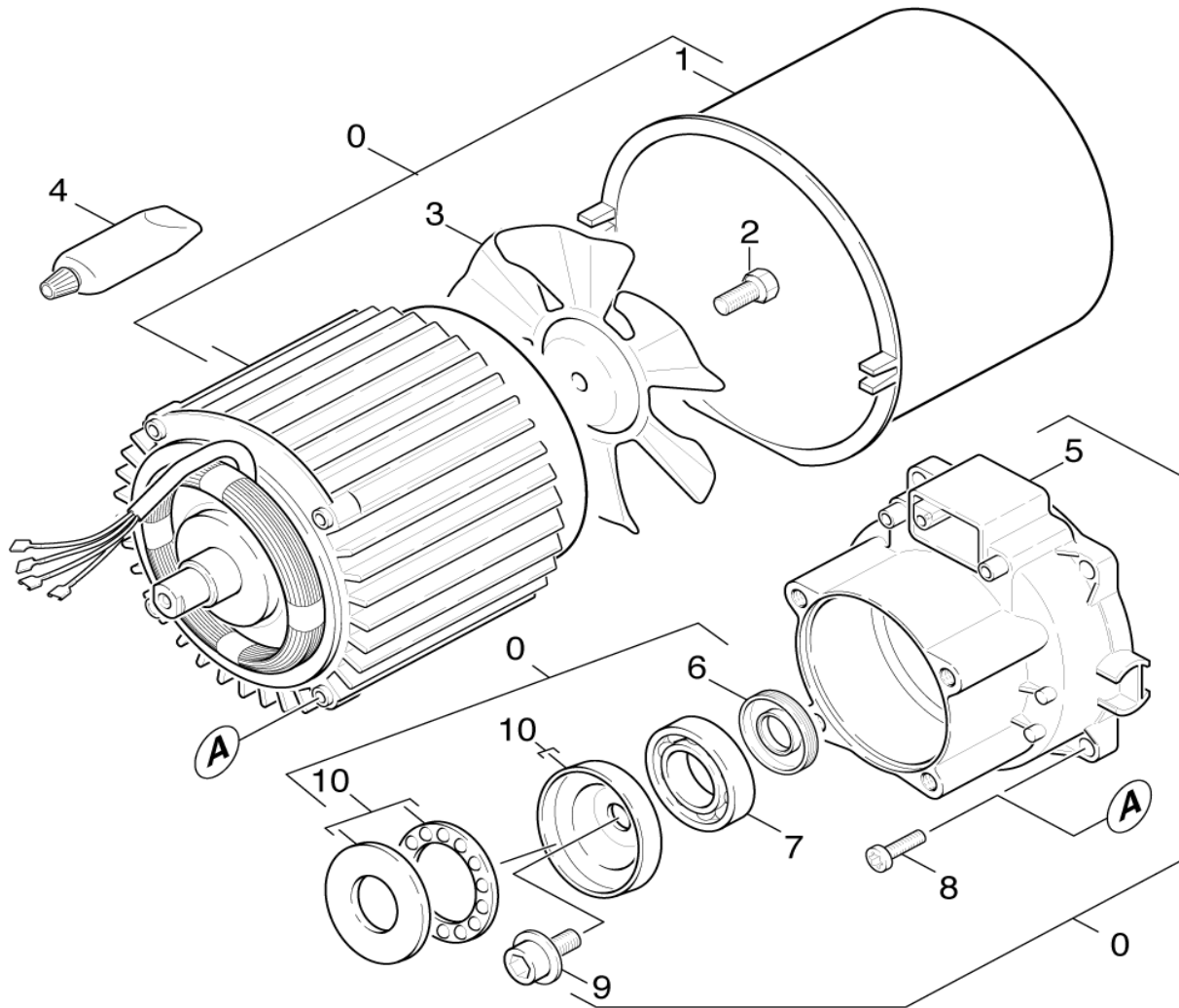
Location	PN	DESCRIPTION	QTY	SERIAL #	
				FROM	TO
MOTOR 3.1					
0	9001-0930	Motor	1		
1	6964-0900	Housing	1		
2	7304-3950	Hexagonal head screw M8x16-8.8-A2E ISO	1		
3	9039-1020	Blower wheel	1		
4	6964-0920	Viscous oil 50ml	1		
5	6964-0960	End Plate	1		
6	9078-0040	Rotary Shaft Seal	1		
7	7401-0100	Ball bearing 6303 -St DIN 625	1		
8	9086-1530	Cylinder Head Complete	4		
9	9086-1690	Wobble plate screw M8x16	1		
10	9001-3000	Swash plate	1		
11	7312-2330	Serrated lock washer A8,4-FSt-A3E DIN67	1		



R J Bowers Distributors
 2003 Harrison Ave
 Rockford IL 61104
 E-mail: service@rjbowers.com
 Web: www.rjbowers.com
 (815) 399-8839 (800) 383-6584

PARTS BREAKDOWN FOR K3.85M+ (1.141-366.0)

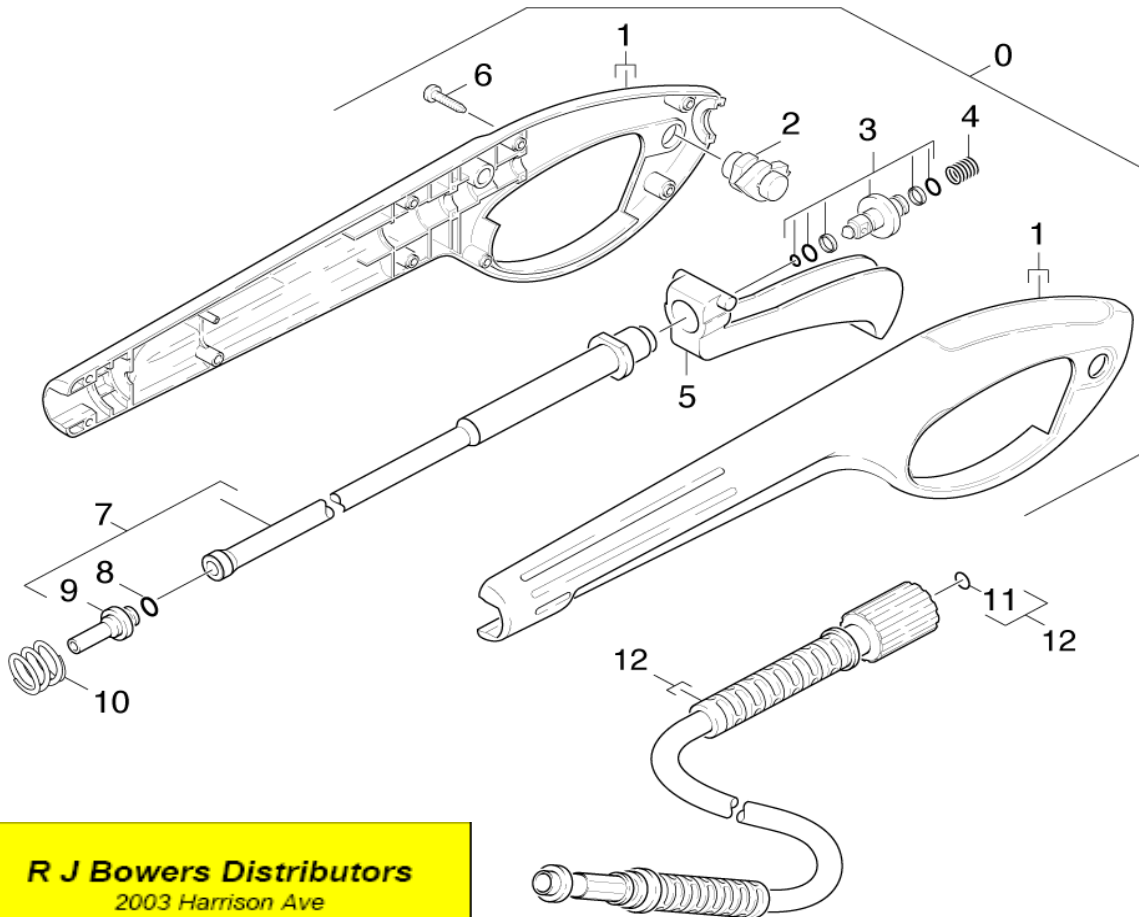
Location	PN	DESCRIPTION	QTY	SERIAL #	
				FROM	TO
MOTOR 3.2					
0		Stockpiling discontinued	1		
1	6964-0900	Housing	1		
2	6304-1030	Hex Screw	1		
3	6964-0400	Blower Wheel	1		
4	6964-0920	Viscous oil 50ml	1		
5	6964-0960	End Plate	1		
6	9078-0040	Rotary Shaft Seal	1		
7	7401-0100	Ball bearing 6303 -St DIN 625	1		
8	9086-1530	Cylinder Head Complete	4		
9	6304-1100	Screw	1		
10	9039-0910	Swash plate	1		



R J Bowers Distributors
 2003 Harrison Ave
 Rockford IL 61104
 E-mail: service@rjbowers.com
 Web: www.rjbowers.com
 (815) 399-8839 (800) 383-6584

PARTS BREAKDOWN FOR K3.85M+ (1.141-366.0)

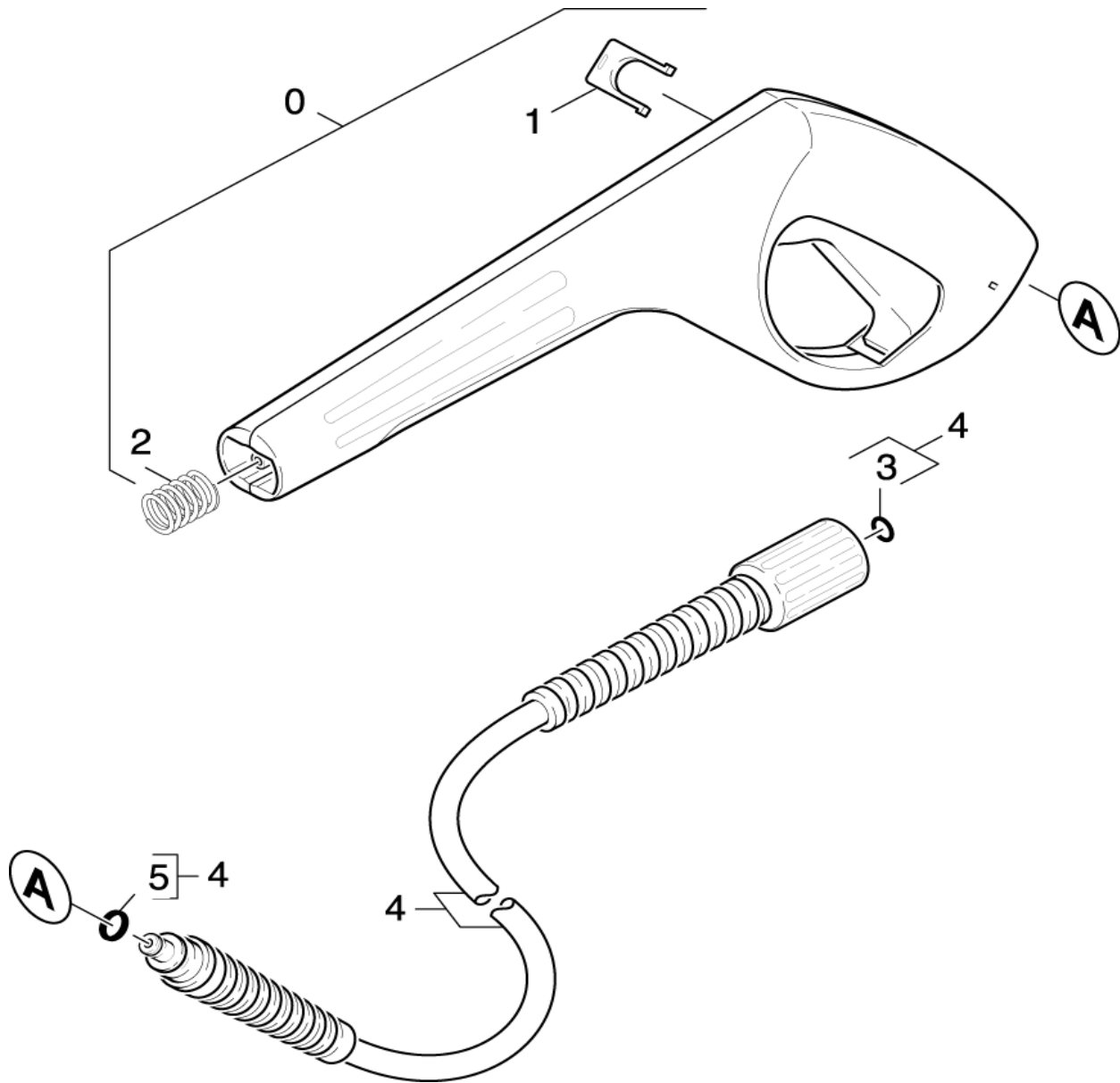
Location	PN	DESCRIPTION	QTY	SERIAL #	
				FROM	TO
ACCESSORIES - Trigger Gun 4.1					
0	9001-1250	Trigger Gun	1		
1	9036-4080	365 Trigger Gun Handles (Casing)	1		
2	6964-0440	Moulded part	1		
3	9011-4020	Bush completely	1		
4	6964-0020	Spring	1		
5	5481-1590	Lever	1		
6	6303-1220	M4 .2X13 DIN 7981 TORX T15 PAN HD HI/LO	8		
7	9011-3970	Pipe	1		
8	6362-8980	Gasket 7x2 NBR90	1		
9	5031-0680	Joining Pipe	1		
10	5332-3490	Pressure spring	1		
11	2880-2960	Spare part set O-Ring seal 5x-Kaercher	1		
12	9082-0570	HP Hose	1		
/ 1.141-363.0 / -365.0 / -372.0/ -465.0 / -467.0 / -468.0					
12	9082-0550	HP Hose	1		
/ 1.141-369.0					
12	9082-0510	High pressure hose neutrally 9.0/130.40G	1		
/ 1.141-362.0 / -373.0 / -377.0/ -465.0					
13	6363-1150	O-Ring seal complete 1ST.-R.	1		



R J Bowers Distributors
 2003 Harrison Ave
 Rockford IL 61104
 E-mail: service@rjbowers.com
 Web: www.rjbowers.com
 (815) 399-8839 (800) 383-6584

PARTS BREAKDOWN FOR K3.85M+ (1.141-366.0)

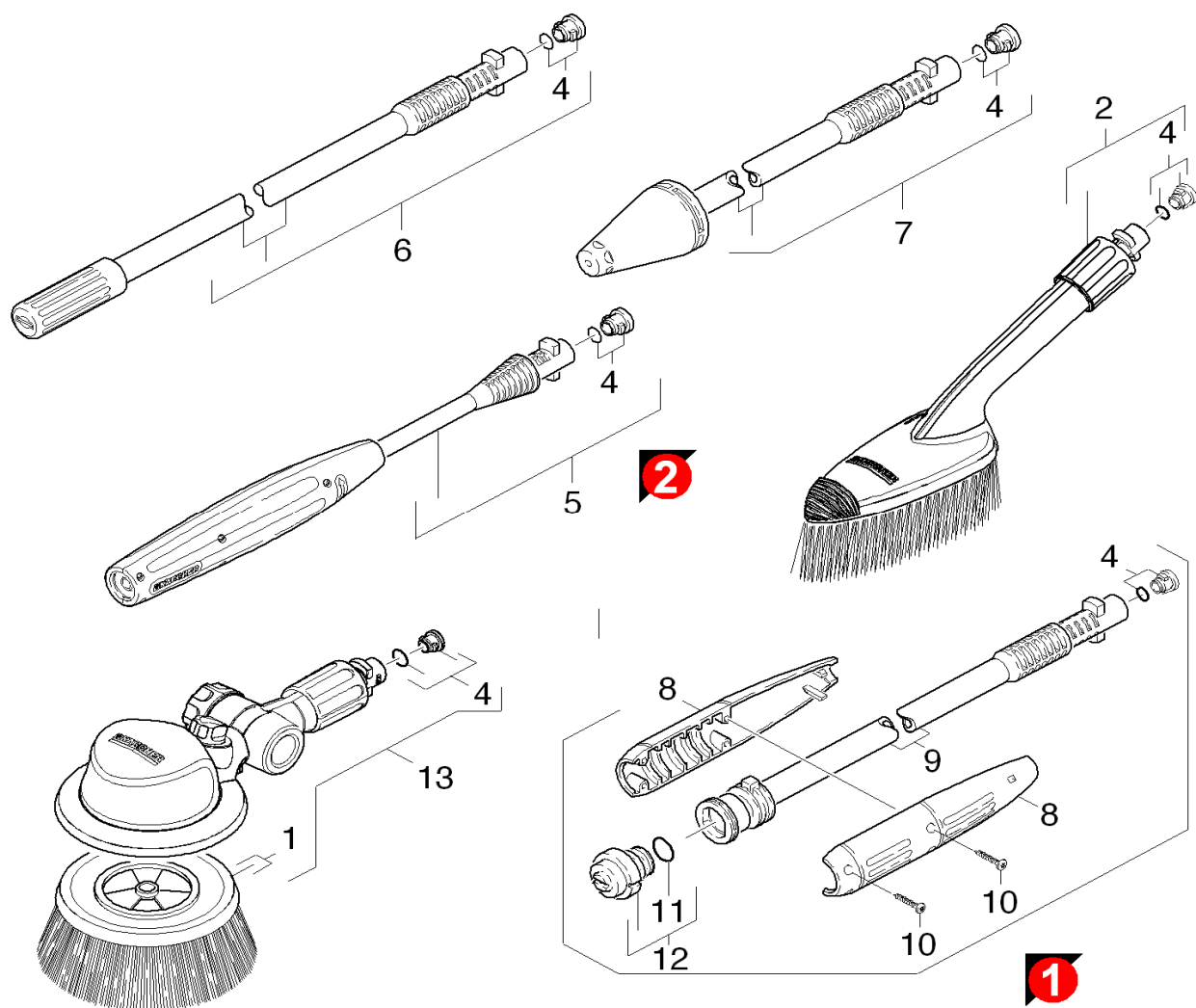
Location	PN	DESCRIPTION	QTY	SERIAL #	
				FROM	TO
ACCESSORIES - Trigger Gun 4.2					
0	4775-3890	Trigger Gun	1		
1	5037-1370	Clamp	1		
2	5332-4640	Pressure spring	1		
3	2880-2960	Spare part set O-Ring seal 5x-Kaercher	1		
4	6390-4630	HP Hose 9/16MPa 7.5M	1		
5	6363-1980	O-Ring seal 6x2 90 shore PUR	1		



R J Bowers Distributors
 2003 Harrison Ave
 Rockford IL 61104
 E-mail: service@rjbowers.com
 Web: www.rjbowers.com
 (815) 399-8839 (800) 383-6584

PARTS BREAKDOWN FOR K3.85M+ (1.141-366.0)

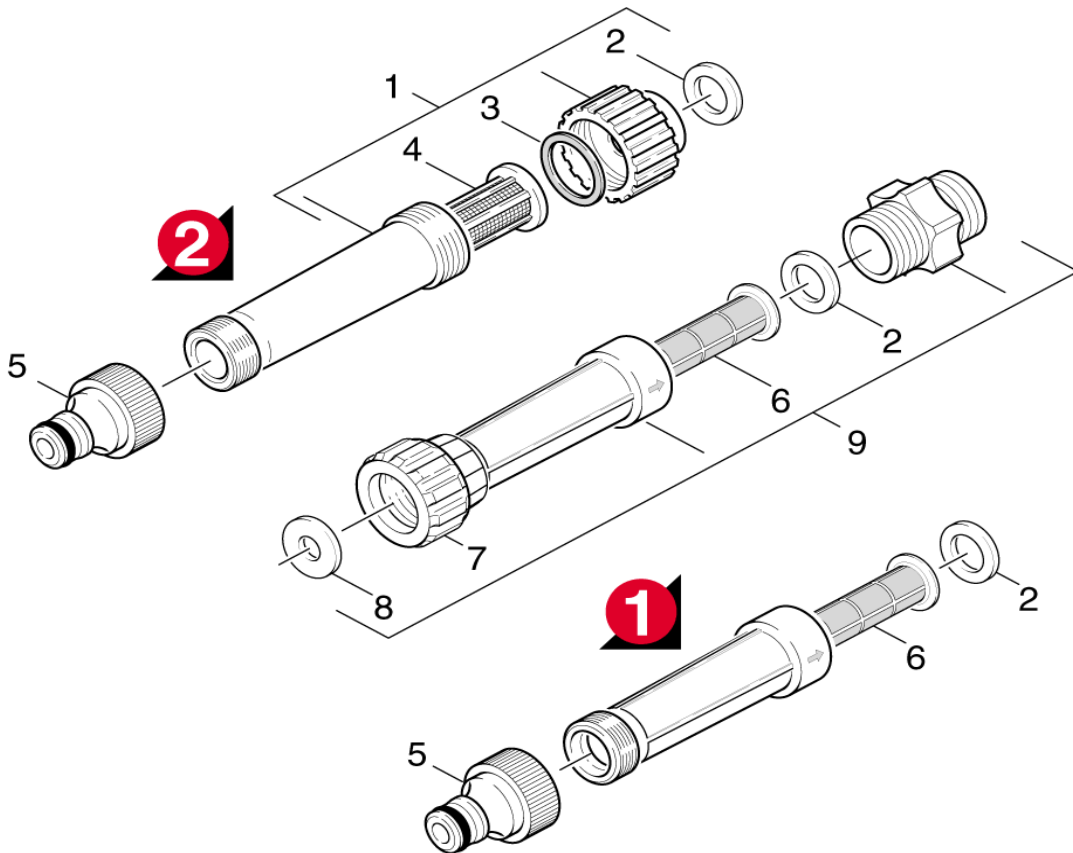
Location	PN	DESCRIPTION	QTY	SERIAL #	
				FROM	TO
ACCESSORIES - Jet Pipe 4.3					
1	5762-3310	Carrier brushes	1		
2	2640-5890	Brush lengthwise	1		
4	2640-7290	O-Ring seal set	5		
5	4760-5340	VPS K3 0287	1		
6	4760-2770	Lance	1		
/ 1.141-474.0					
7	4763-9860	Rotor nozzle /033 ST	1		
8	9036-4020	Handhold few complete	1		
9	9036-4030	Tube VPS	1		
10	6303-1220	M4 .2X13 DIN 7981 TORX T15 PAN HD HI/LO	4		
11	6362-5340	O-Ring seal 18,0 X 2,0-NBR 70	1		
12		Stockpiling discontinued	1		
13	2640-9070	Brush Best	1		



R J Bowers Distributors
 2003 Harrison Ave
 Rockford IL 61104
 E-mail: service@rjbowers.com
 Web: www.rjbowers.com
 (815) 399-8839 (800) 383-6584

PARTS BREAKDOWN FOR K3.85M+ (1.141-366.0)

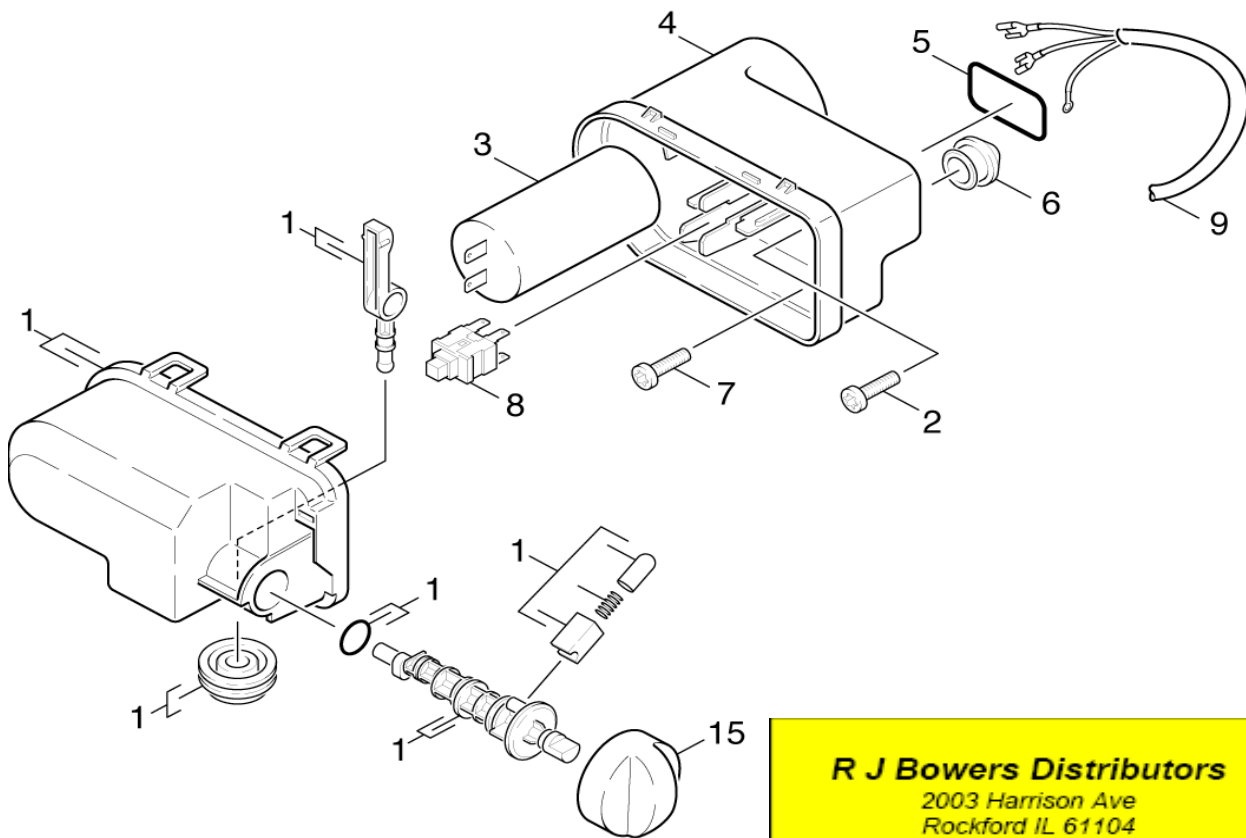
Location	PN	DESCRIPTION	QTY	SERIAL #	
				FROM	TO
ACCESSORIES - Water Filter 4.4					
1	4730-0590	Water filter complete	1		
2	5363-5450	Seal	1		
3	5363-3360	Seal	1		
4	5731-0500	Water filter	1		
5	6389-8700	Connection 3/4"	1		
6		Stockpiling discontinued	1		
7	5310-1180	Nut	1		
8	5364-1290	Flat gasket	1		
9	4730-0980	Water filter complete packaged	1		



R J Bowers Distributors
 2003 Harrison Ave
 Rockford IL 61104
 E-mail: service@rjbowers.com
 Web: www.rjbowers.com
 (815) 399-8839 (800) 383-6584

PARTS BREAKDOWN FOR K3.85M+ (1.141-366.0)

Location	PN	DESCRIPTION	QTY	SERIAL #	
				FROM	TO
ELECTRICAL CONTROL BOX 5.0					
1	9001-1000	Cover electric box complete	1		
2	7303-0310	Screw M4x10 -St-P2R (In6Rd)	1		
3	9085-0230	Capacitor 20mikroF H=70	1		
4	9036-3480	Housing electric box	1		
5	9081-4080	Gasket 19x34x2.62	1		
6	9048-0110	Wire protecting sleeve	1		
7	9086-1530	Cylinder Head Complete	2		
8	9085-0310	Switch two-pole	1		
9	9084-0650	Cable with Plug	1		
/ 1.141-354.0 / -382.0 / -454.0 / -477.0					
9	9084-0700	Cable with Plug *CH	1		
/ 1.141-352.0 / -452.0 / -476.0					
9	9084-0550	Cable with Plug	1		
/ 1.141-315.0 / -351.0 / -360.0 / -362.0 / -363.0 / -366.0 / -369.0 / -370.0 / -372.0 / -373.0 / -377.0 / -378.0					
/ -451.0 / -460.0 / -461.0 / -463.0 / -464.0 / -465.0 / -466.0 / -467.0 / -468.0 / -469.0 / -470.0 / -471.0 / -472.0					
/ -475.0					
9	9084-0640	Cable with plug	1		
15	9036-3510	Switch Knob	1		



R J Bowers Distributors
 2003 Harrison Ave
 Rockford IL 61104
 E-mail: service@rjbowers.com
 Web: www.rjbowers.com
 (815) 399-8839 (800) 383-6584