



Spare parts list
(16017420) K 3.68MD PLUS

2008 11
59708880

www.kaercher.com

EN

CONTENT LIST

1.0 Housing

2.0 Pump set

2.1 Cylinder head

2.2 Thrust guidance

3.0 Motor

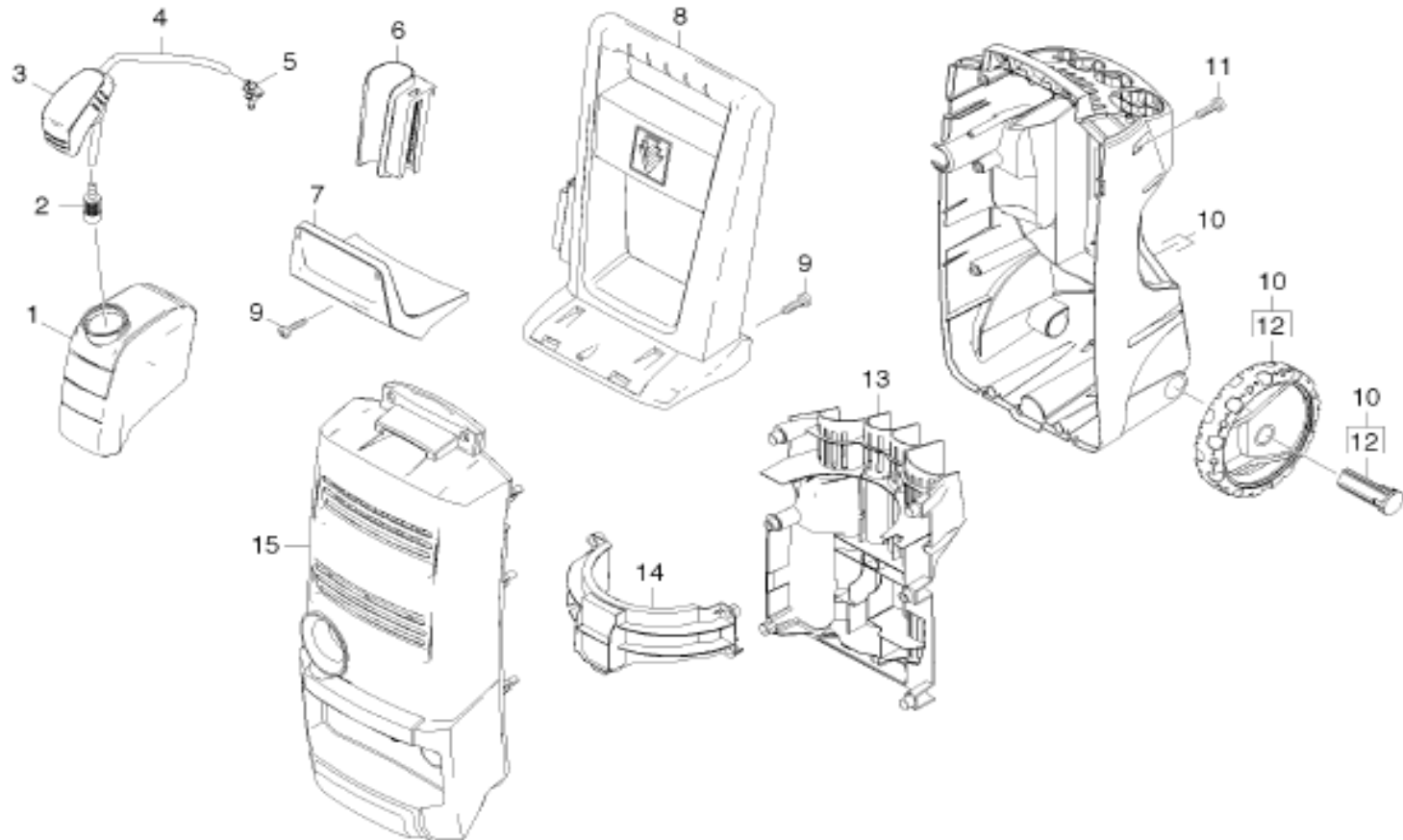
4.0 Accessories

4.1 Hand trigger gun

4.2 Jet pipe

5.0 Electric box

1.0 Housing



ETZ-5121081-000-02

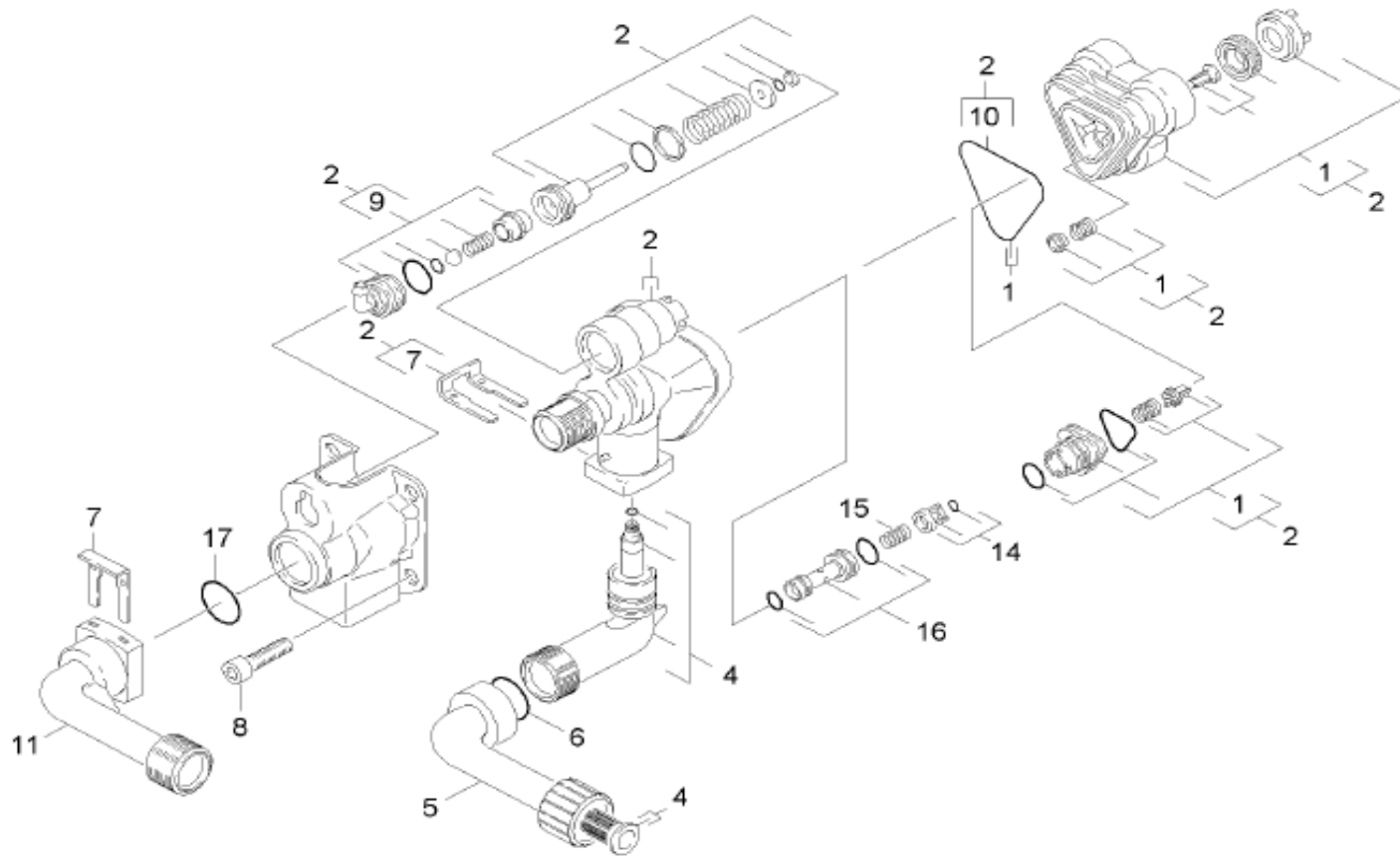
01021940 / 59706860

1.0 Housing

POS	DESCRIPTION ADDITIONAL INFORMATIONS	PART NO	QTY.	FROM SER.NR.	UP TO SER. NR.
1	Tank KX.68MD	90372920	1		
2	Filter with weight	57316090	1		
3	Detergent tank cap K 3.68	97604280	1		
4	Hose DN 5	63882160	1		
	TO ORDER AS CUT GOODS				
5	Detergent tank nipple K3.68	97604270	1		
6	Pistol holder	97604300	1		
7	Holder hose KX.68MD	90372930	1		
8	Hand grip K3.68	90373120	1		
9	Screw	90861820	5		
10	Chassis rear complete K x.68	97760560	1		
11	Screw HI-Lo d.4x22 Torx-d.7,5	90861730	10		
12	Wheel set K3.68	97760570	1		
13	Moulded part	90367220	1		
14	Motor holder K3.9X-Upright	90367230	1		
15	Cover front K3.68	97604180	1		

#9 Detergent Inlet Assembly: Showing a 90 degree nipple to attach detergent suction hose. This picture is **INCORRECT**. This part should be a straight nipple. The part number is correct **9.750-058.0**; just the illustration is incorrect.

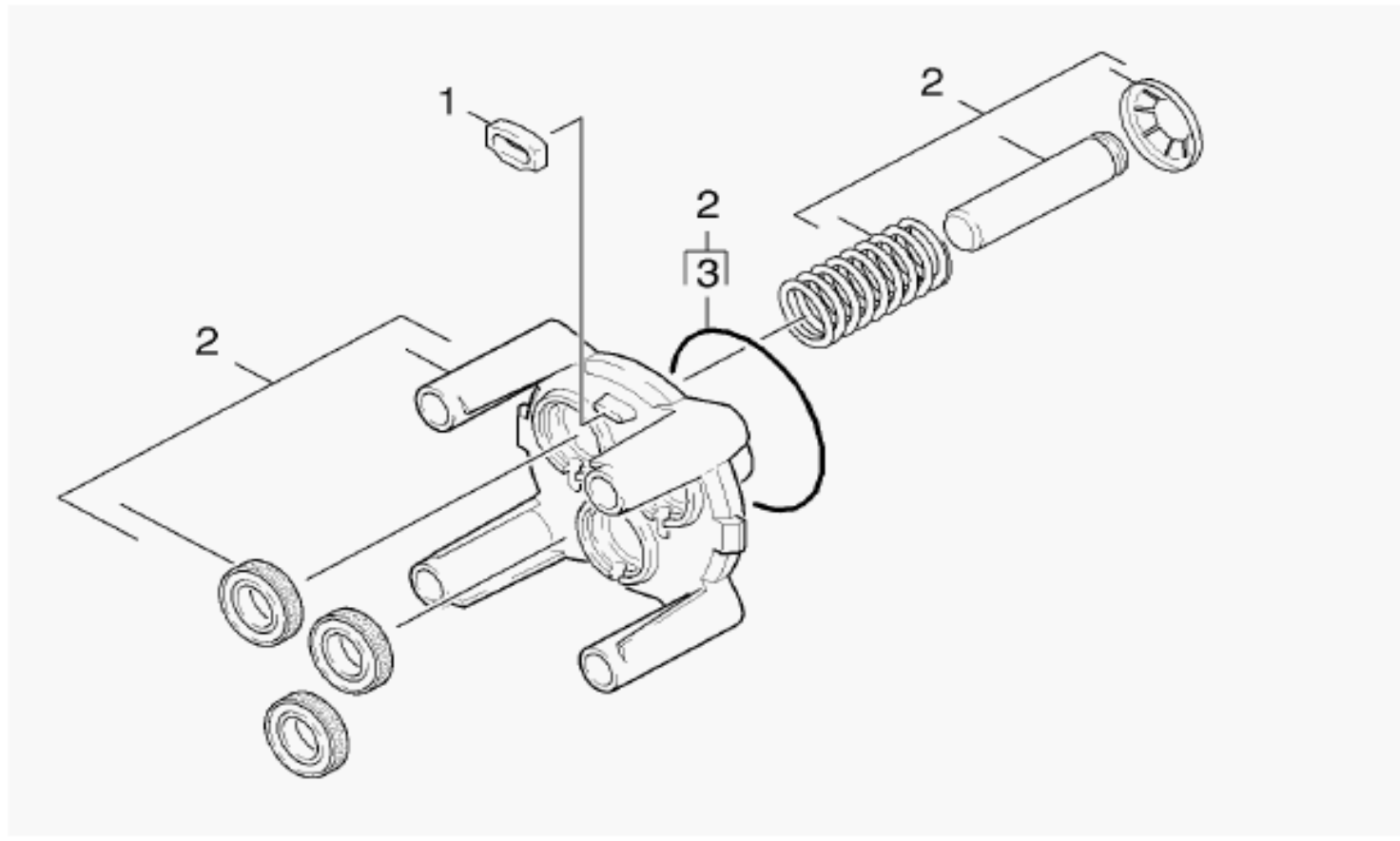
2.1 Housing



2.1 Housing

POS	DESCRIPTION ADDITIONAL INFORMATIONS	PART NO	QTY.	FROM SER.NR.	UP TO SER. NR.
1	H.P. head complete Spare Part	97601970	1		
2	Housing complete	97760370	1		
4	Spare parts set suction connection	90013750	1		
5	Suction connection replacement	97760380	1		
6	O-Ring d.17,86x2,62	90814200	1		
7	Metal fork	90391480	2		
8	Screw M 8x55 Class 8.8	90862000	4		
9	Detergent fitting assembly (CEN)	97500580	1		
10	Form seal	90814220	1		
11	Connection delivery side	90367030	1		
14	CAGE	90011070	1		
15	Spring	90470260	1		
16	INJECTOR	90011080	1		
17	O-Ring d. 10 x 2 NBR 70	63621510	1		

2.2 Thrust guidance



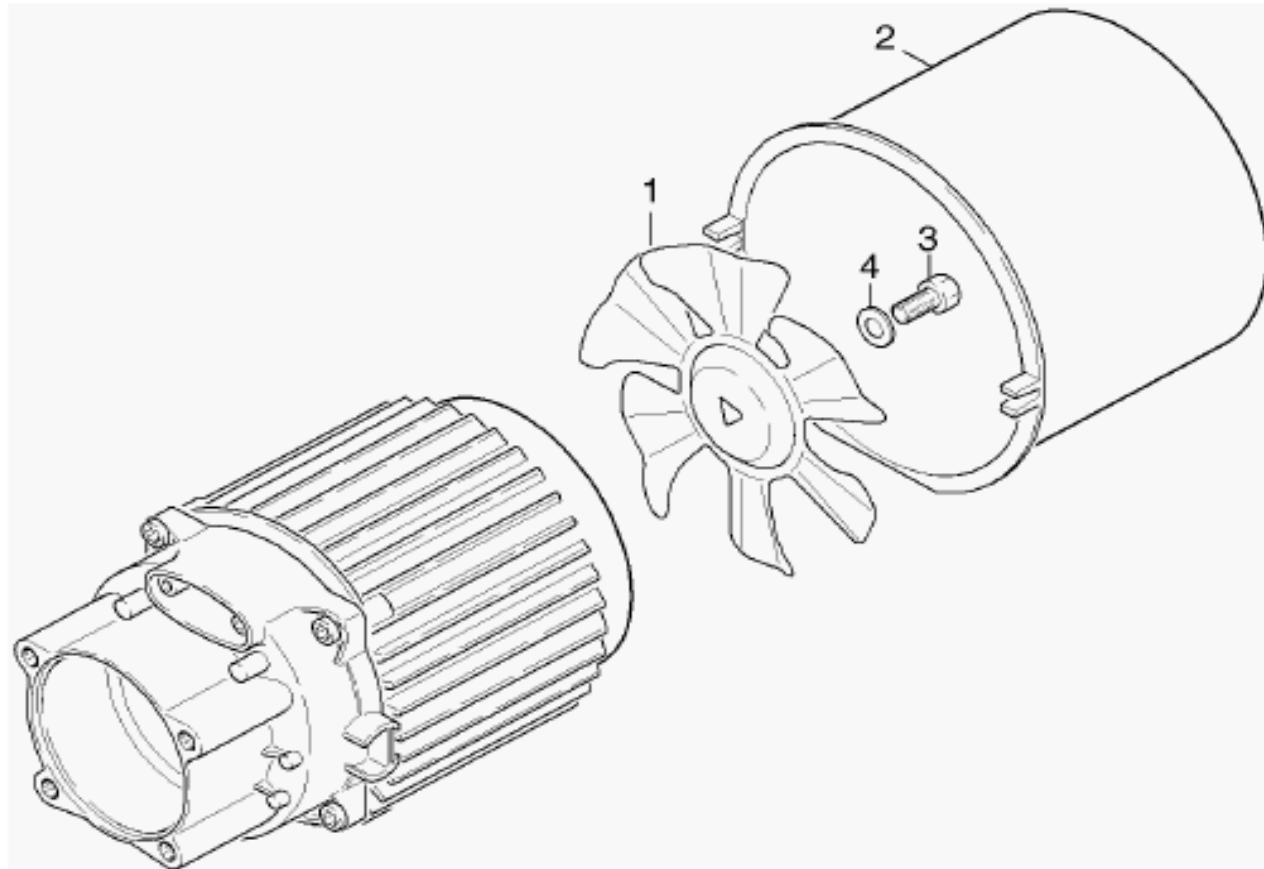
ETZ-5121515-000-00

01024630 / 59706860

2.2 Thrust guidance

POS	DESCRIPTION ADDITIONAL INFORMATIONS	PART NO	QTY.	FROM SER.NR.	UP TO SER. NR.
1	Spacer - Seal	90480710	1		
2	THRUST kpl	90118520	1		
3	GASKET 61,6 X 2,62	63628260	1		

3.0 Motor



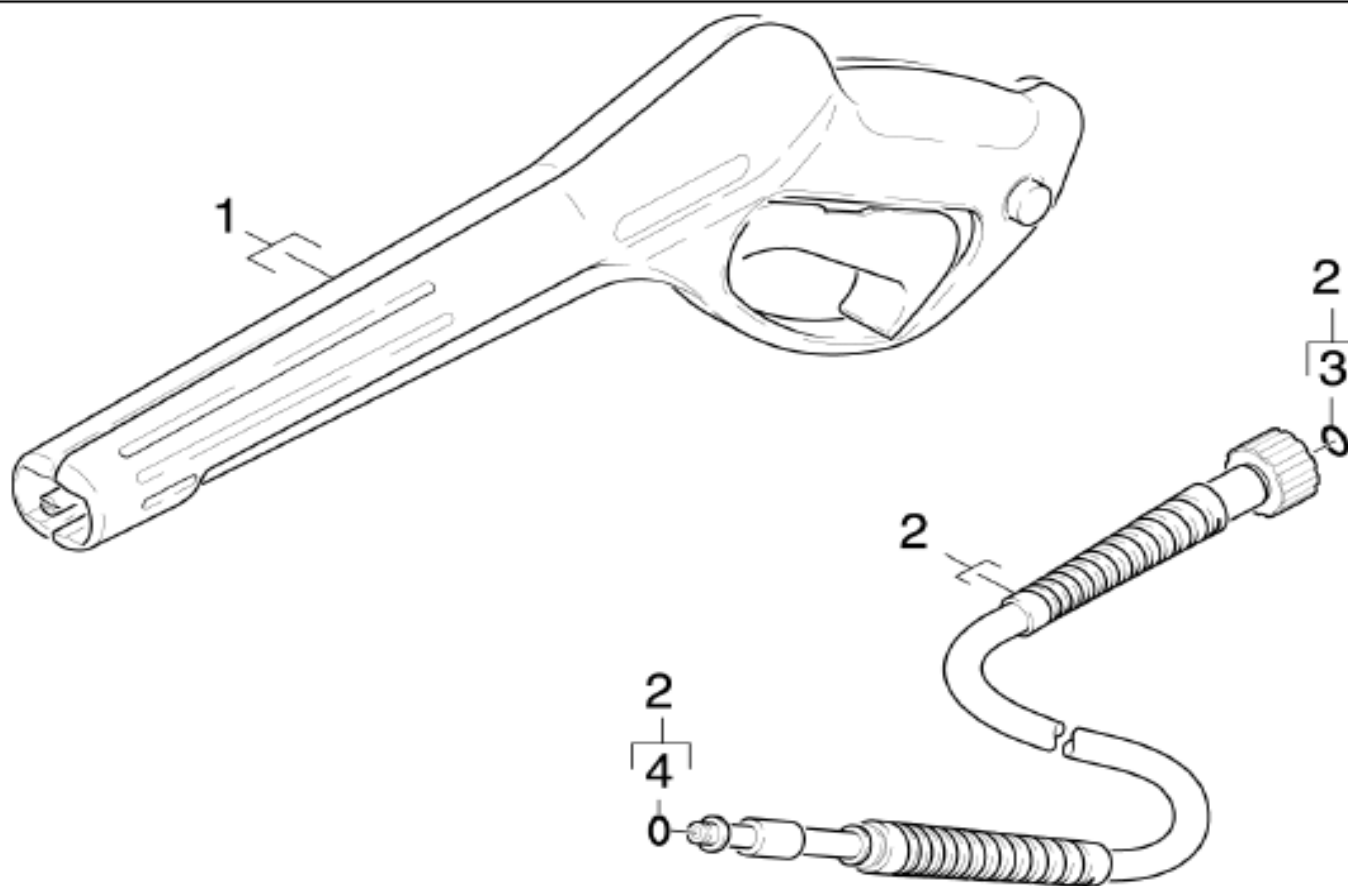
ETZ-5121516-000-00

01024640 / 59706860

3.0 Motor

POS	DESCRIPTION ADDITIONAL INFORMATIONS	PART NO	QTY.	FROM SER.NR.	UP TO SER. NR.
1	Blower wheel	90391860	1		
2	Covering cap blower wheel K2.93 (9.037-0)	97601960	1		
3	Hexagonal head screw M8x16-8.8-A2E ISO	73043950	1		
4	Serrated lock washer A8,4-FSt-A3E DIN67	73122330	1		

4.1 Hand trigger gun



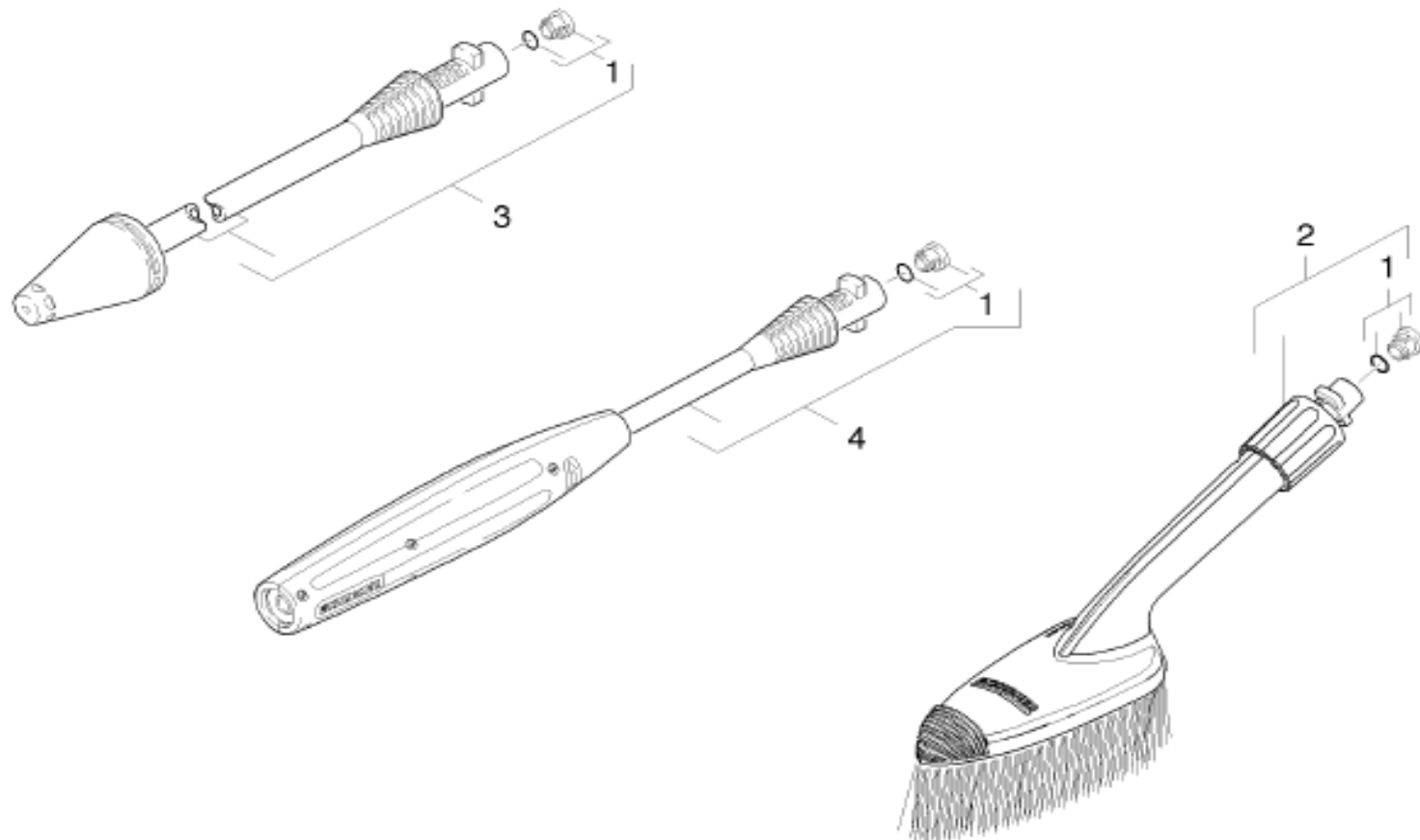
ETZ-5121517-000-00

01024760 / 59706860

4.1 Hand trigger gun

POS	DESCRIPTION ADDITIONAL INFORMATIONS	PART NO	QTY.	FROM SER.NR.	UP TO SER. NR.
1	PISTOL	47753310	1		
2	High pressure hose 7,5/13MPa	63916630	1		
3	O RING SET HD 555	28801540	1		
4	O-Ring seal 6,75x1,78 NBR 70	63624980	1		

4.2 Jet pipe



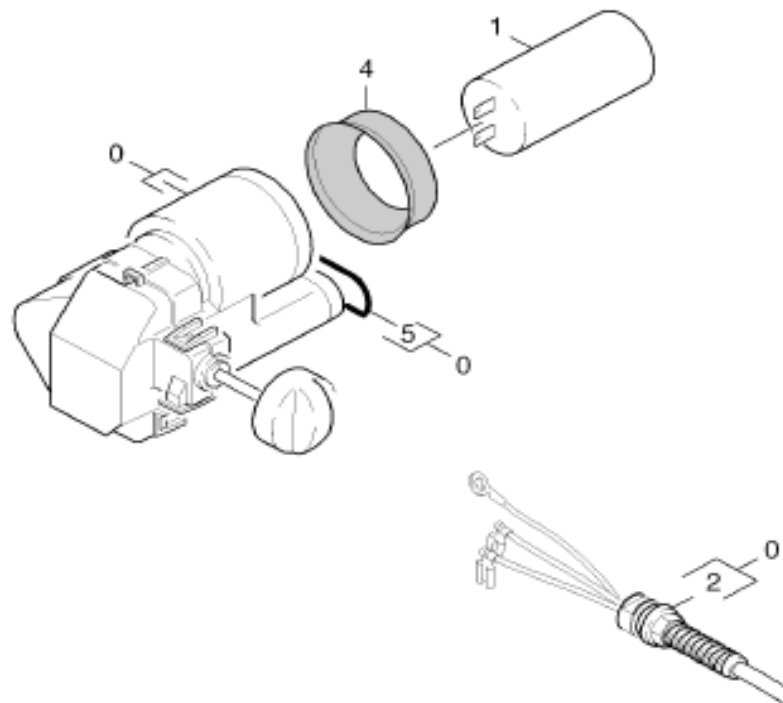
ETZ-5121516-000-00

01024770 / 59706860

4.2 Jet pipe

POS	DESCRIPTION ADDITIONAL INFORMATIONS	PART NO	QTY.	FROM SER.NR.	UP TO SER. NR.
1	O-Ring seal set	26407290	1		
2	Wash brush packed	26405890	1		
3	ROTARY NOZZLE	47639910	1		
4	VPS K3 0225 K	47605850	1		

5.0 Electric box



5.0 Electric box

POS	DESCRIPTION ADDITIONAL INFORMATIONS	PART NO	QTY.	FROM SER.NR.	UP TO SER. NR.
0	Electric box complete K3.68	97760610	1		
1	Capacitor 60µF	66611960	1		
2	Cable with plug	90841490	1		
4	Capacitor Sealing ring d.45, 70 Shore	90804210	1		
5	O-Ring d.20 x 2	90814170	1		