



Spare parts list

(14239220) K 3.79MD-PLUS *CA

(14239270) K 3.79M-PLUS

CONTENT LIST

1.0 HOUSING

2.0 PUMP SET

2.1 HOUSING

[1.423-922.0](#)

2.2 THRUST GUIDANCE

[1.423-922.0](#)

2.3 Housing

[1.423-927.0](#)

2.4 Thrust guidance

[1.423-927.0](#)

3.0 Motor

3.1 MOTOR

[1.423-922.0](#)

3.2 Motor

[1.423-927.0](#)

4.0 ACCESSORIES

4.1 TRIGGER GUN

4.2 JET PIPE

5.0 Electric box

4.1 Electric box

[1.421-922.0](#)

4.2 Electric box

[1.421-927.0](#)

1.0 HOUSING

2.0 PUMP SET

2.1 HOUSING

[1.423-922.0](#)

2.2 THRUST GUIDANCE

[1.423-922.0](#)

2.3 Housing

[1.423-927.0](#)

2.4 Thrust guidance

[1.423-927.0](#)

3.0 Motor

3.1 MOTOR

[1.423-922.0](#)

3.2 Motor

[1.423-927.0](#)

4.0 ACCESSORIES

4.1 TRIGGER GUN

4.2 JET PIPE

5.0 Electric box

4.1 Electric box

[1.421-922.0](#)

4.2 Electric box

[1.421-927.0](#)

1.0 HOUSING

CONTENT LIST

2.0 PUMP SET

2.1 HOUSING

[1.423-922.0](#)

2.2 THRUST GUIDANCE

[1.423-922.0](#)

2.3 Housing

[1.423-927.0](#)

2.4 Thrust guidance

[1.423-927.0](#)

3.0 Motor

3.1 MOTOR

[1.423-922.0](#)

3.2 Motor

[1.423-927.0](#)

4.0 ACCESSORIES

4.1 TRIGGER GUN

4.2 JET PIPE

5.0 Electric box

4.1 Electric box

[1.421-922.0](#)

4.2 Electric box

[1.421-927.0](#)

1.0 HOUSING

2.0 PUMP SET

2.1 HOUSING

[1.423-922.0](#)

2.2 THRUST GUIDANCE

[1.423-922.0](#)

2.3 Housing

[1.423-927.0](#)

2.4 Thrust guidance

[1.423-927.0](#)

3.0 Motor

3.1 MOTOR

[1.423-922.0](#)

3.2 Motor

[1.423-927.0](#)

4.0 ACCESSORIES

4.1 TRIGGER GUN

4.2 JET PIPE

5.0 Electric box

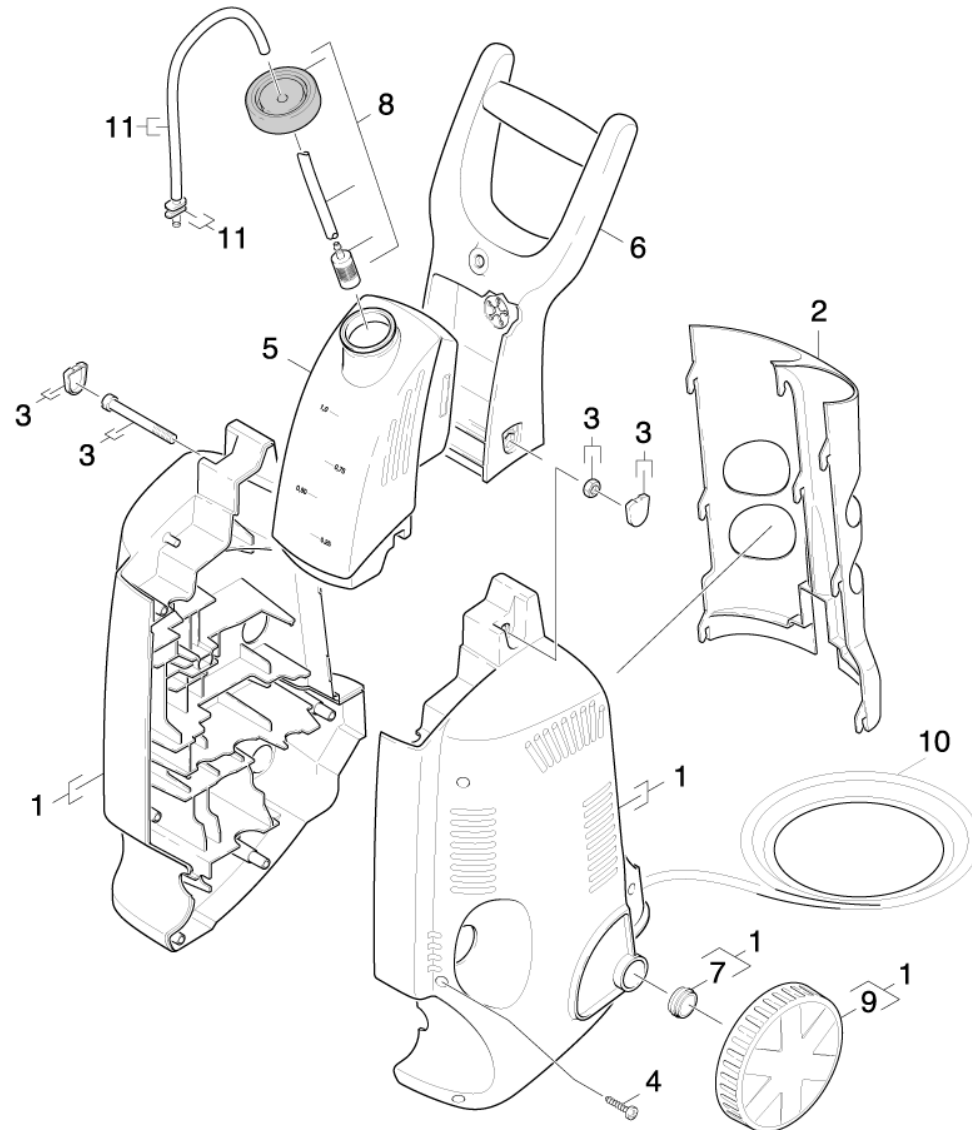
4.1 Electric box

[1.421-922.0](#)

4.2 Electric box

[1.421-927.0](#)

1.0 HOUSING



1.0 HOUSING

POS	DESCRIPTION ADDITIONAL INFORMATIONS	PART NO	QTY.	FROM SER.NR.	UP TO SER. NR.
1	Chassis cpl. K 3.79M 1.423-922.0	90119080	1		
1	Housing pair Basis K3.79 1.423-927.0	90120990	1		
2	Holder accessories ALDI 2003	90367940	1		
3	SCREW BAG	90012320	1		
4	Srew 4x22	90861730	7		
5	TANK	90367960	1		
6	HANDLE	90367950	1		
7	Plug	90367270	2		
8	FILTER KPL.	90117110	1		
9	Wheel	90367260	2		
10	1.423-922.0	90841320	1		
11	FILTER KPL.	90117120	1		

2.0 PUMP SET

2.1 HOUSING

[1.423-922.0](#)

2.2 THRUST GUIDANCE

[1.423-922.0](#)

2.3 Housing

[1.423-927.0](#)

2.4 Thrust guidance

[1.423-927.0](#)



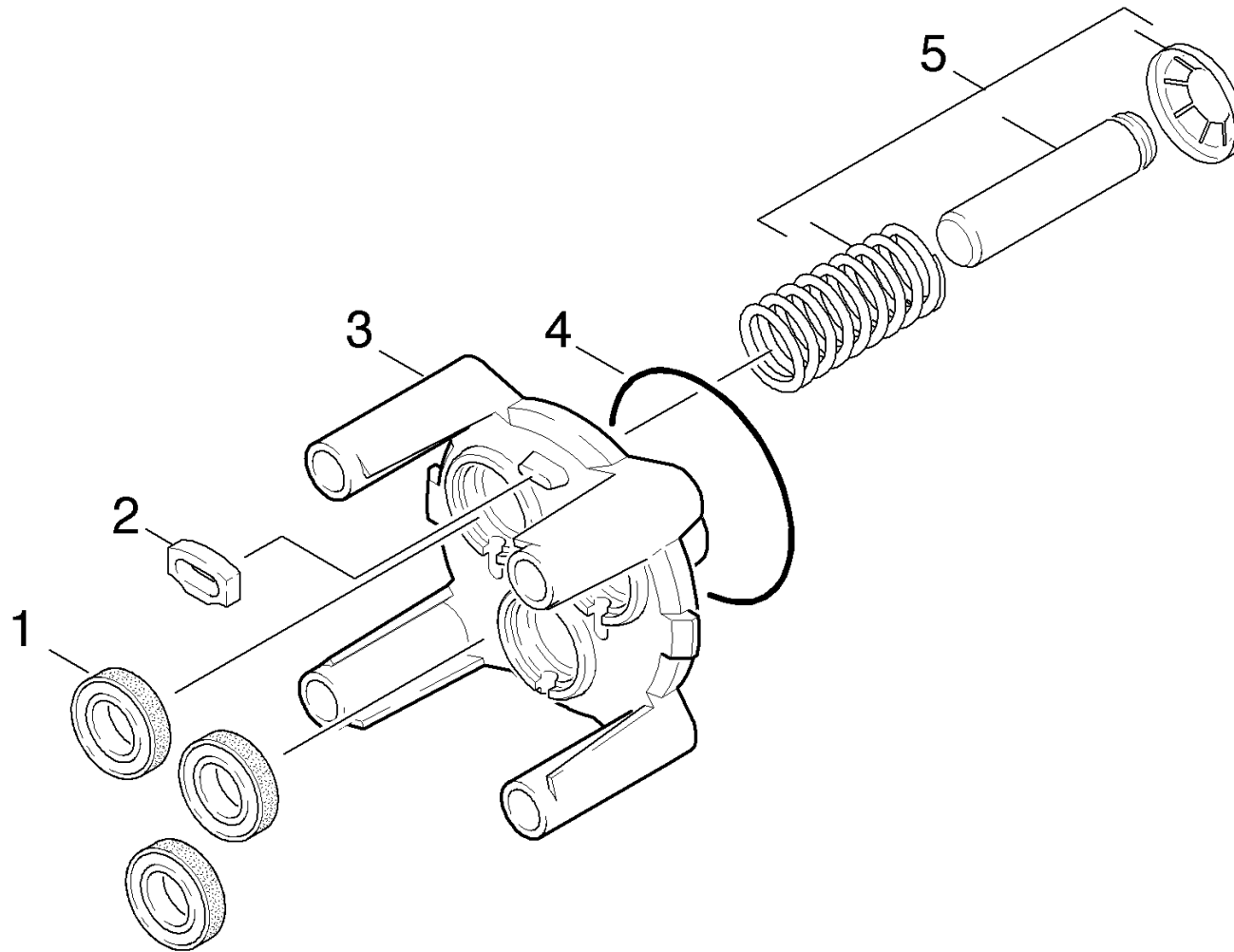
2.3 Housing

1.423-927.0

POS	DESCRIPTION ADDITIONAL INFORMATIONS	PART NO	QTY.	FROM SER.NR.	UP TO SER. NR.
1	Connection delivery side	90367030	1		
2	CLAMP	90391480	2		
3	SCREW M8x55 CLASSE 8.8	90862000	4		
4	O-RING	90814210	1		
5	Cover	90391660	1		
6	Hose DN 5	63882160	1		
	TO ORDER AS CUT GOODS				
7	RM ANSAUGUNG ALDI2003	90117530	1		
8	Spare parts set control head	90012670	1		
9	SAUGANSCHLUSS	90012710	1		
10	Form seal	90814220	1		
11	CYLINDER HEAD	90011050	1		
12	Filter with weight	57316090	1		
13	Water sealing d.12x20x5	63628750	3		
14	MOULDED PART	90011100	1		
	SET CONSISTS OF 3X MACHINED PART COMPL.				
15	VENTILSET	90011490	1		
	SET CONSISTSTS OF 3X VALVE				
16	JOINING PIECE	90011060	1		
17	CAGE	90011070	1		
18	Spring	90470260	1		
19	Injector complete	90012310	1		
20	Spare parts set	90013600	1		
21	Fine filter	57315980	1		

2.4 Thrust guidance

1.423-927.0



2.4 Thrust guidance

1.423-927.0

POS	DESCRIPTION ADDITIONAL INFORMATIONS	PART NO	QTY.	FROM SER.NR.	UP TO SER. NR.
1	GASKET SET	63653800	3		
1	GASKET SET	63653800	3		
2	SPACER	90480710	1		
3	HOUSING	90420170	1		
4	GASKET 61,6 X 2,62	63628260	1		
5	Piston complete	90013400	3		

3.0 Motor

3.1 MOTOR

1.423-922.0

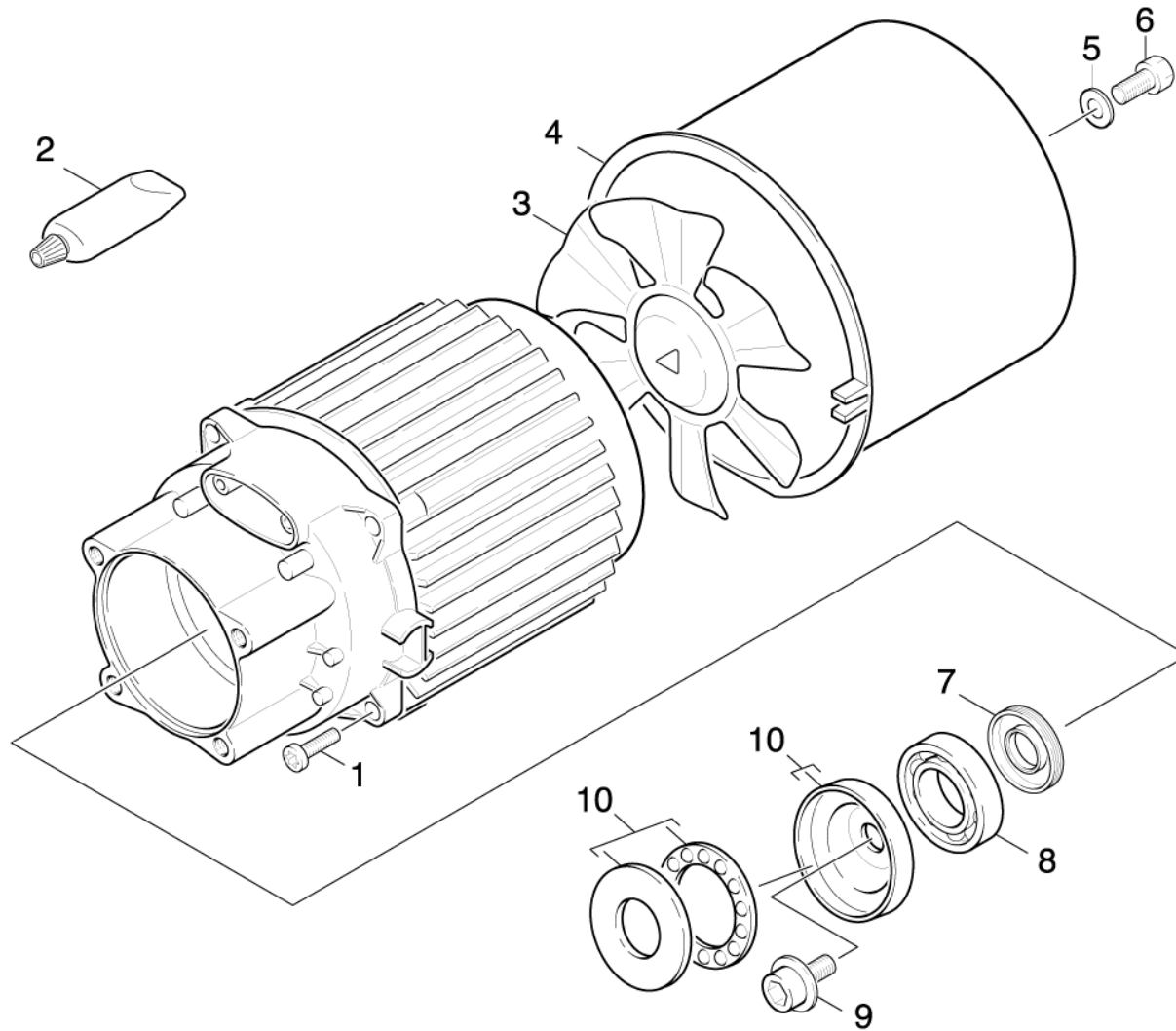
3.2 Motor

1.423-927.0



3.2 Motor

1.423-927.0



3.2 Motor

1.423-927.0

POS	DESCRIPTION ADDITIONAL INFORMATIONS	PART NO	QTY.	FROM SER.NR.	UP TO SER. NR.
1	VITE AUTOFILETT. M5X20 TRILOBATA	90861850	4		
2	GREASE (50ML)	69640920	1		
3	MOTOR FAN	90391880	1		
4	HOUSING	69640900	1		
6	Wobble plate screw M8x16	90861690	1		
7	Rotary shaft seal 17x35x5	90780070	1		
8	Ball bearing 6303-St DIN 625	74010100	1		
9	Hexagonal head screw M8x16 -8.8-A2E ISO	73043950	1		
11	Serrated lock washer A8,4-FSt-A3E DIN67	73122330	1		

4.0 ACCESSORIES

4.1 TRIGGER GUN

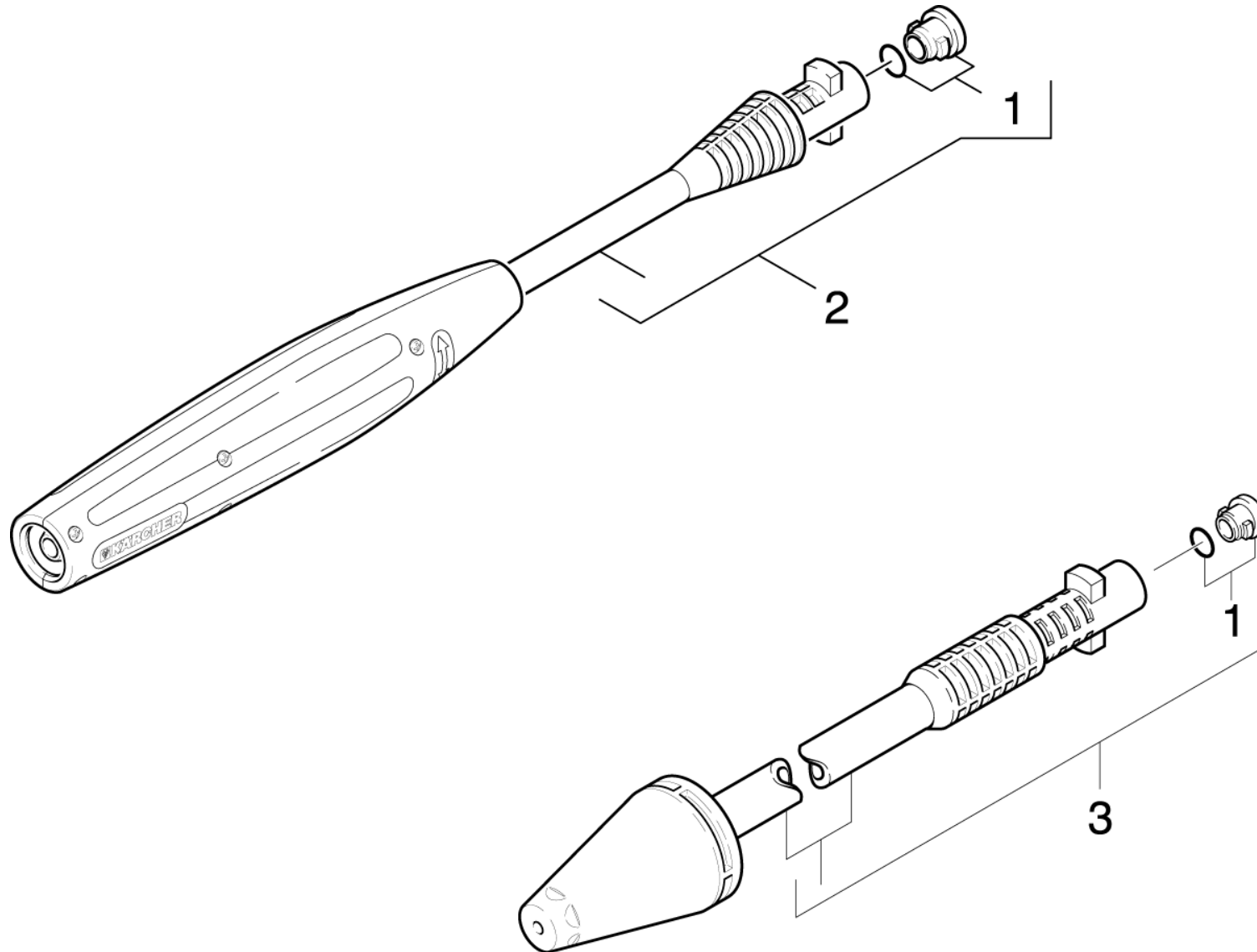
4.2 JET PIPE



4.1 TRIGGER GUN

POS	DESCRIPTION ADDITIONAL INFORMATIONS	PART NO	QTY.	FROM SER.NR.	UP TO SER. NR.
0	PISTOL	47753890	1		
1	CLAMP	50371370	1		
2	Pressure spring	53324640	1		
3	Spare part set O-Ring seal 5x-Kaercher	28802960	1		
4	HOSE	63904990	1		
5	GASKET	63631980	1		

4.2 JET PIPE



4.2 JET PIPE

POS	DESCRIPTION ADDITIONAL INFORMATIONS	PART NO	QTY.	FROM SER.NR.	UP TO SER. NR.
1	GASKET	26407290	1		
2	VPS K3 0287 1.423-922.0	47605340	1		
2	VPS K3 0225 K 1.423-927.0	47605850	1		
3	Rotor nozzle /033 ST 1.423-922.0	47639860	1		
3	ROTARY NOZZLE 1.423-927.0	47639910	1		

5.0 Electric box

4.1 Electric box

[1.421-922.0](#)

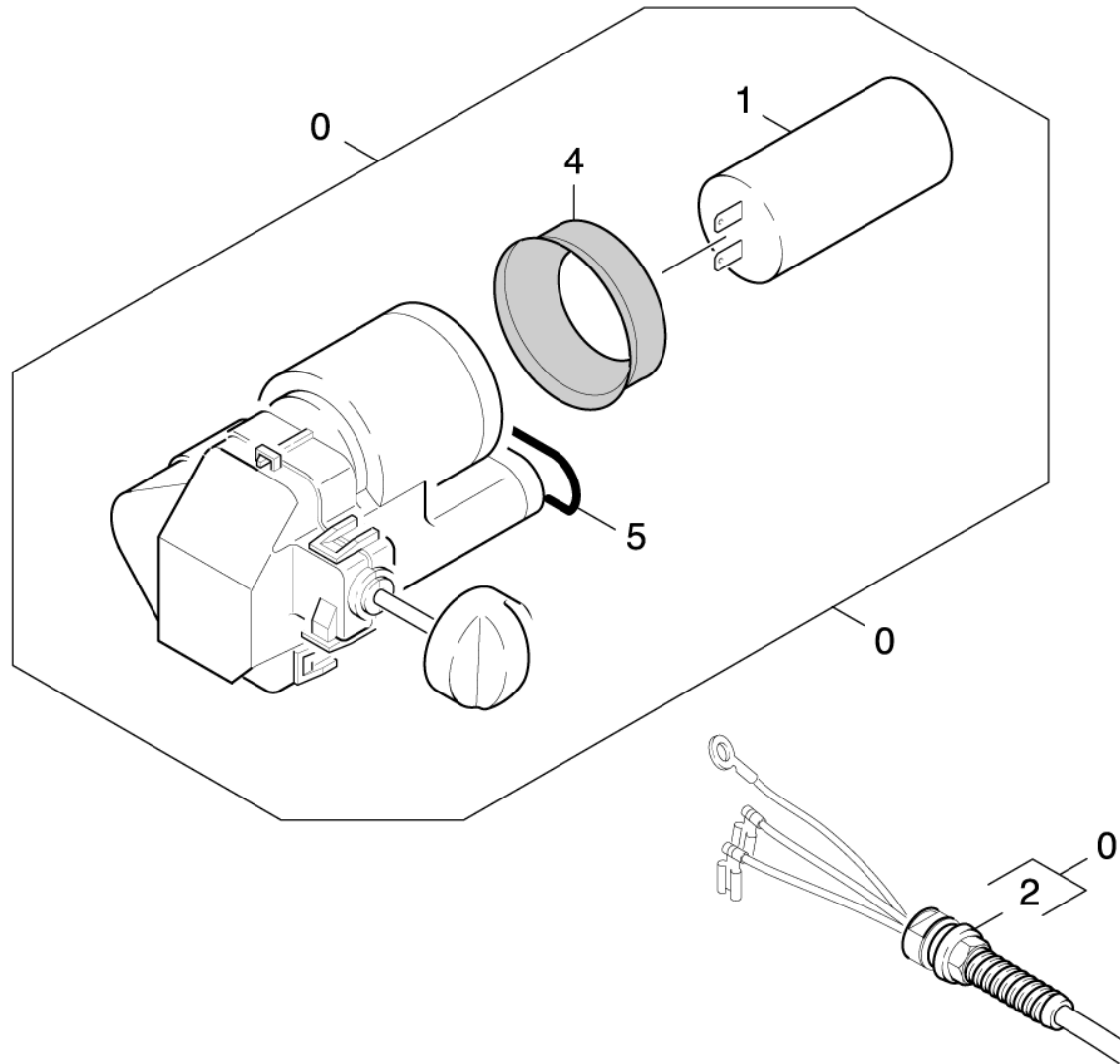
4.2 Electric box

[1.421-927.0](#)



4.2 Electric box

1.421-927.0



4.2 Electric box

1.421-927.0

POS	DESCRIPTION ADDITIONAL INFORMATIONS	PART NO	QTY.	FROM SER.NR.	UP TO SER. NR.
0	Electric box complete	90120980	1		
1	Capacitor 60µF	66611960	1		
2	Cable with plug 1.423-927.0	90841490	1		
4	GASKET	90804210	1		
5	O-RING	90814170	1		