

**Spare parts list**  
**(5.970-583.0) Spare parts list K2.16 \***

## Table of contents

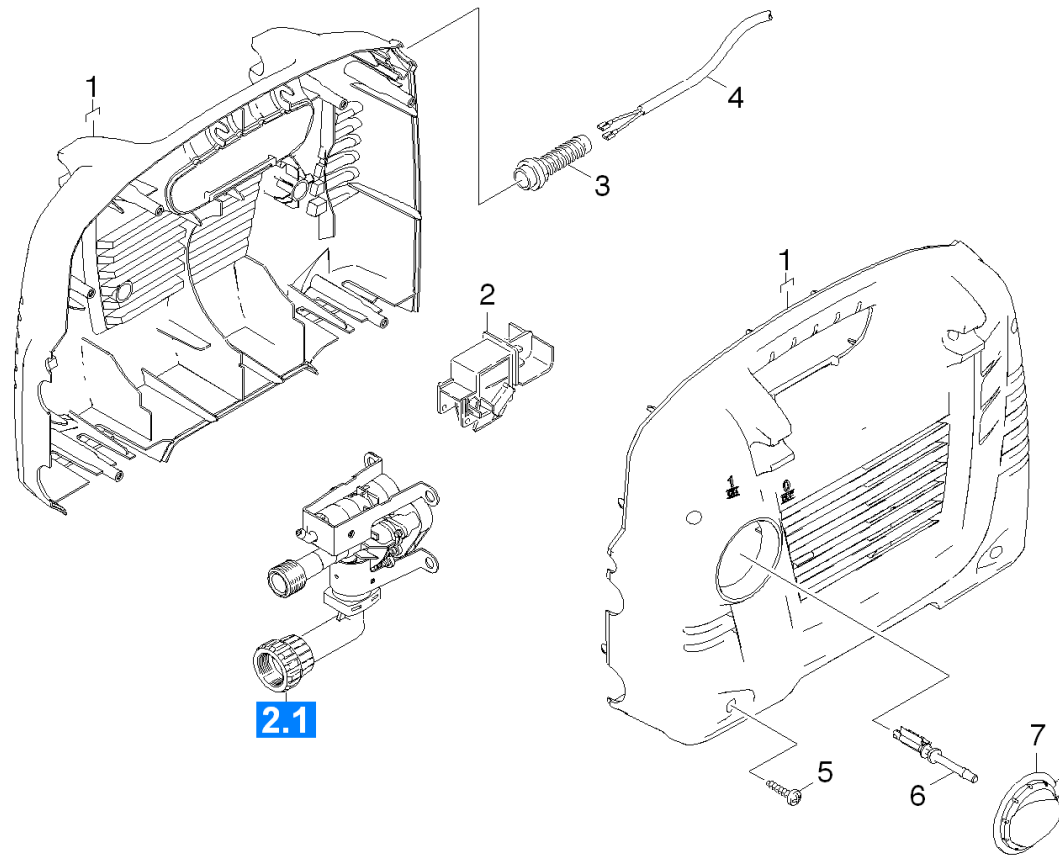
---

<b>Spare parts list K2.16 * (5.970-583.0)</b> .....	6
10 Housing (0.103-187.0).....	7
20 Pump set (0.108-691.0).....	9
21 Housing (0.108-692.0).....	10
22 Thrust guidance (0.108-693.0).....	12
30 Motor (0.112-972.0).....	14
40 Accessories (0.148-959.0).....	16
41 Hand trigger gun (0.148-960.0).....	17
5 Spare part set O-Ring seal 5x (2.880-296.0).....	19
42 Jet pipe (0.148-961.0).....	20

**Spare parts list K2.16 \* (5.970-583.0)**

---

Pos	Material #	Name	Qty.	Unit	from ser.nr.	up to ser.nr.
10	0.103-187.0	Housing	1.000	ST	0000000000	0000000000
20	0.108-691.0	Pump set	1.000	ST	0000000000	0000000000
30	0.112-972.0	Motor	1.000	ST	0000000000	0000000000
40	0.148-959.0	Accessories	1.000	ST	0000000000	0000000000



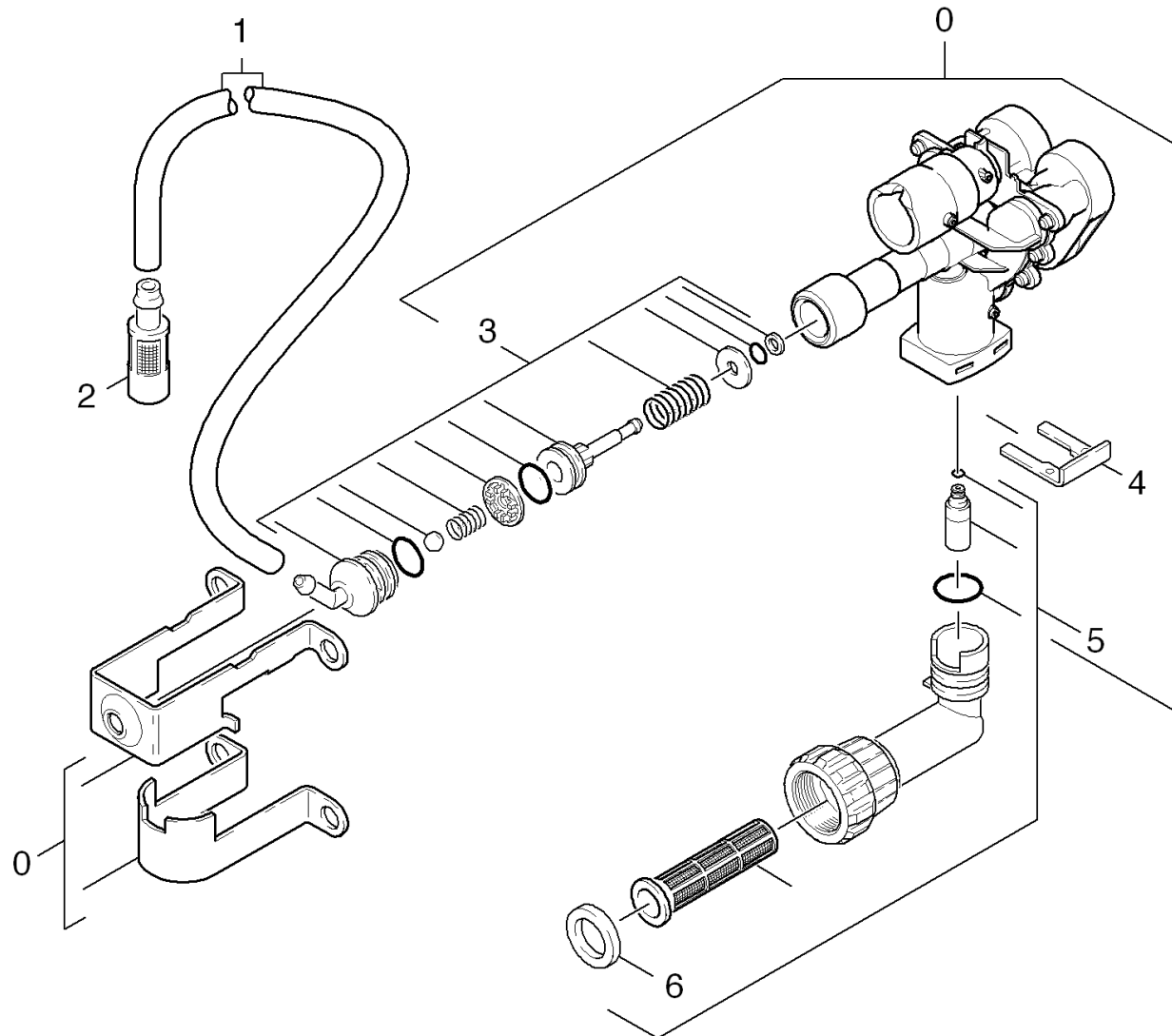
**10 Housing (0.103-187.0)**

Pos	Material #	Name	Qty.	Unit	from ser.nr.	up to ser.nr.
1	5.067-470.0	Housing pair replacement (K2.16/K2.17)	1.000	ST	0000000000	0000000000
2	6.630-357.0	Switch complete UL/CSA+Ers. (ohne Fluege	1.000	ST	0000000000	0000000000
3	5.820-070.0	Cable bushing 6-8,5mm	1.000	ST	0000000000	0000000000
4	6.649-290.0	Cable with plug GFCI * (SJTW AWG16/2)	1.000	ST	0000000000	0000000000
5	7.303-096.0	Screw 4x22 -ST-10.9-R2R (IN6RD)	6.000	ST	0000000000	0000000000
6	5.105-297.0	Axle short black PA6 GF25	1.000	ST	0000000000	0000000000
7	5.321-786.0	Handhold switch horizontal 2006	1.000	ST	0000000000	0000000000

**20 Pump set (0.108-691.0)**

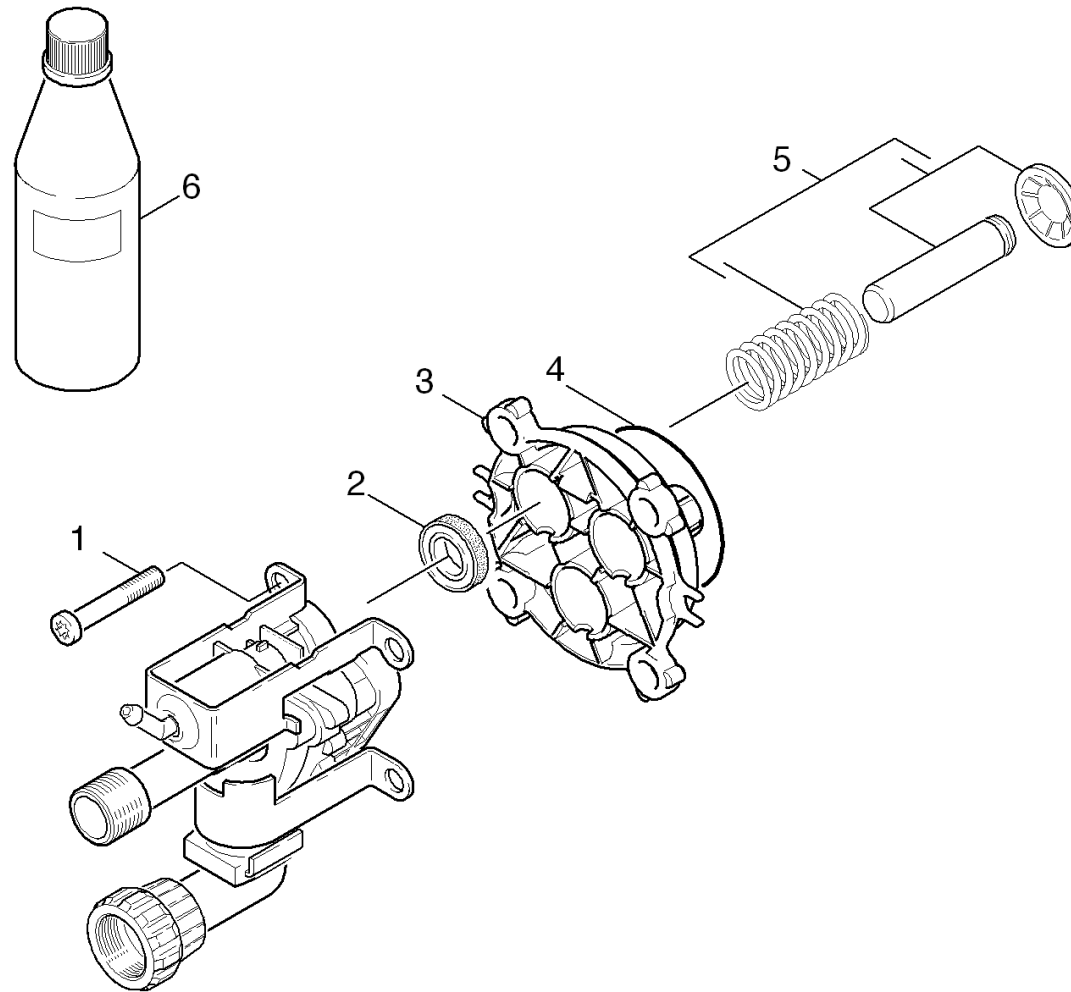
---

Pos	Material #	Name	Qty.	Unit	from ser.nr.	up to ser.nr.
21	0.108-692.0	Housing	1.000	ST	0000000000	0000000000
22	0.108-693.0	Thrust guidance	1.000	ST	0000000000	0000000000



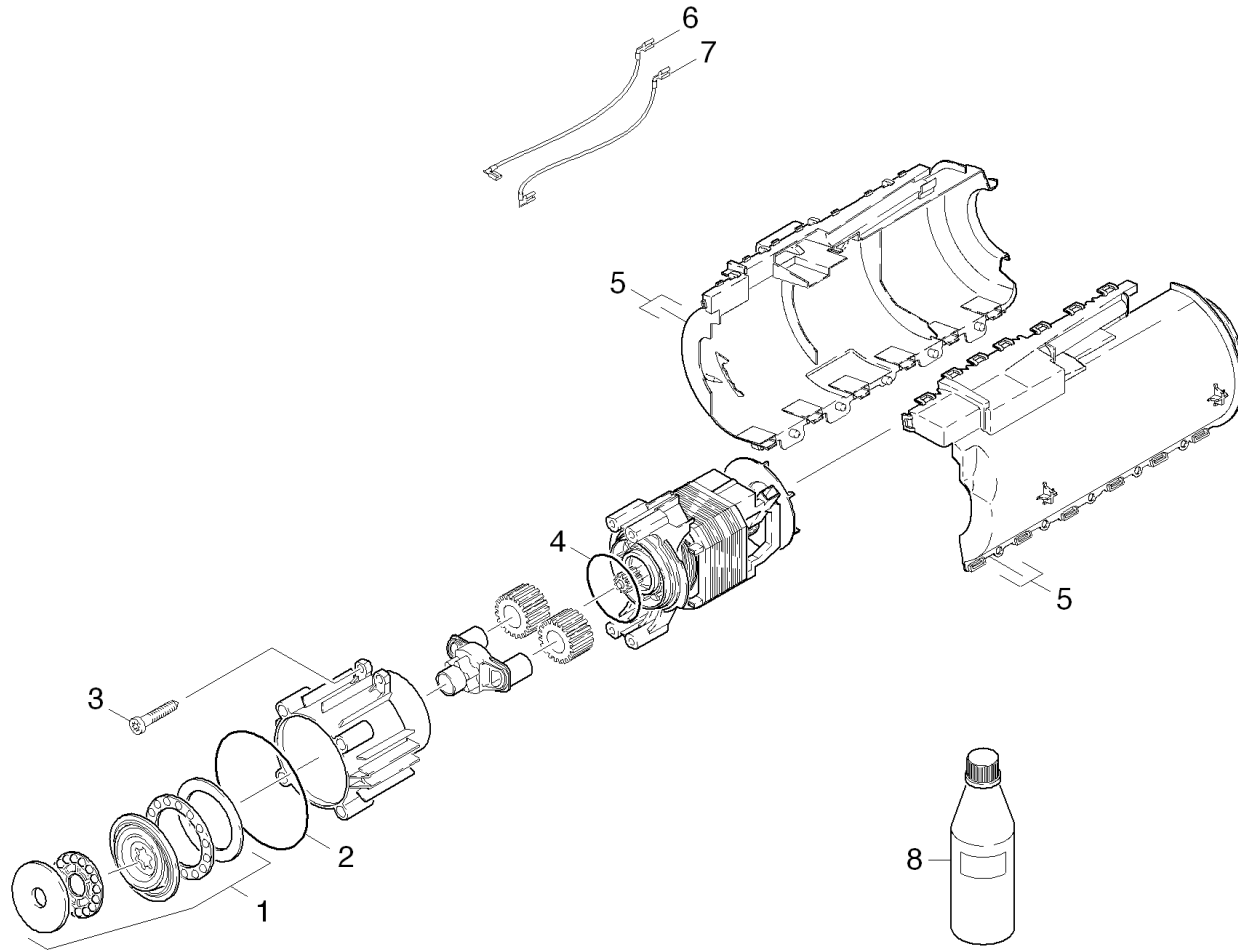
21 Housing (0.108-692.0)

ET/VT (spare/wear parts)	Pos	Material #	Name	Qty.	Unit	from ser.nr.	up to ser.nr.	Footnote text
	0	4.550-809.0	Cylinder head replacement (70) *	1.000	ST	0000000000	0000000000	
	1	6.388-216.0	Hose DN 5	1.000	M	0000000000	0000000000	TO ORDER AS CUT GOODS
X	2	5.731-652.0	Filter with weight	1.000	ST	0000000000	0000000000	
	3	2.884-133.0	Spare part set control piston chemistry	1.000	ST	0000000000	0000000000	
	4	5.048-406.0	Clamp	1.000	ST	0000000000	0000000000	
	5	4.063-837.0	Suction cover and safety valve *USA Ers	1.000	ST	0000000000	0000000000	
	6	5.364-129.0	Flat gasket	1.000	ST	0000000000	0000000000	



## 22 Thrust guidance (0.108-693.0)

ET/VT (spare/wear parts)	Pos	Material #	Name	Qty.	Unit	from ser.nr.	up to ser.nr.
	1	6.303-497.0	Screw M8x35-8.8-A2E (IN6RD)	4.000	ST	0000000000	0000000000
X-X	2	6.365-393.0	Oil sealing 12x20x4/6	3.000	ST	0000000000	0000000000
	3	5.060-853.0	Thrust guidance PA6.6	1.000	ST	0000000000	0000000000
	4	6.362-902.0	O-Ring 60x2,5 NBR 70	1.000	ST	0000000000	0000000000
	5	2.884-859.0	Spare part set piston GSF	3.000	ST	0000000000	0000000000
	6	6.288-112.0	Engine oil 1L	1.000	ST	0000000000	0000000000



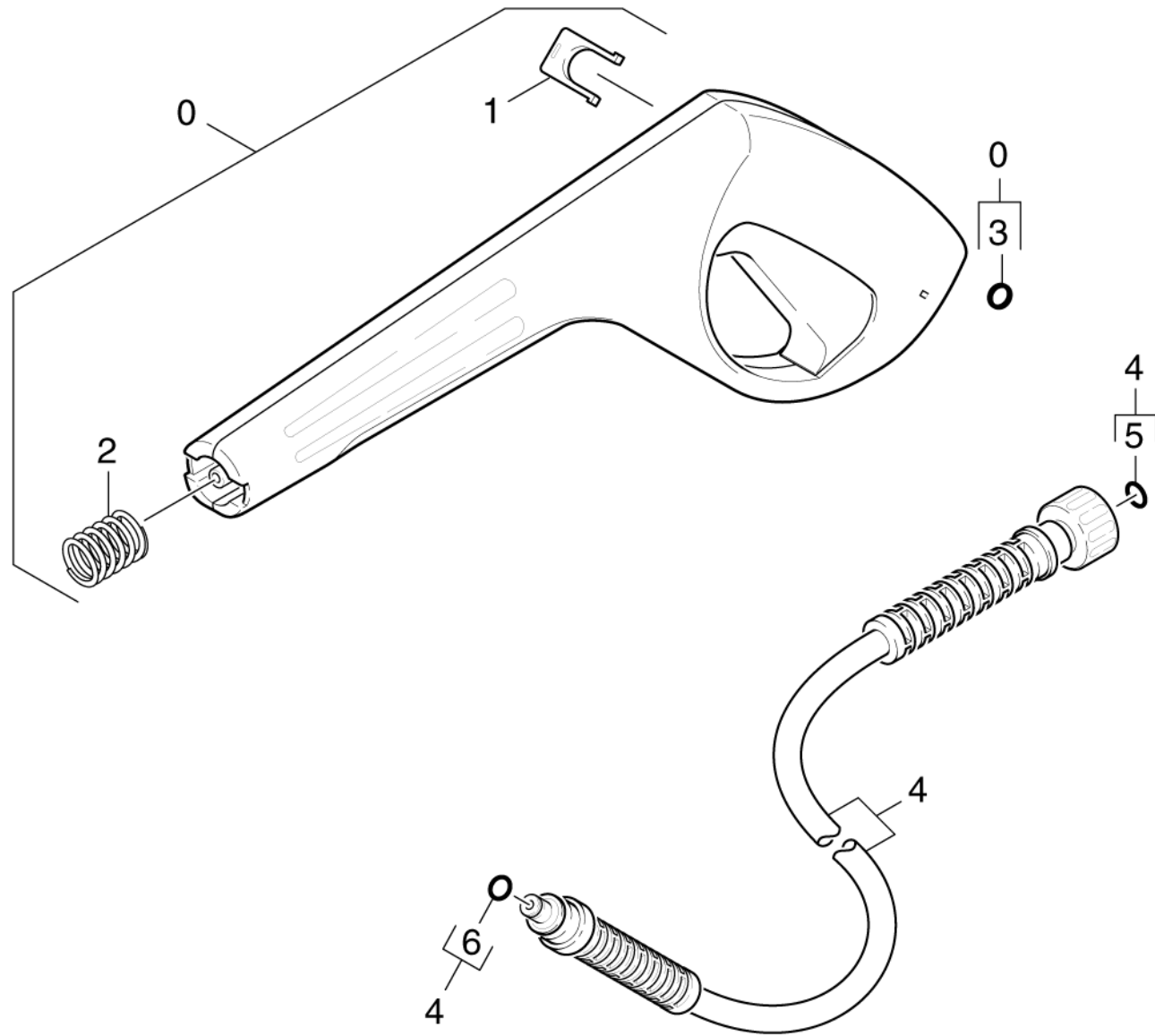
**30 Motor (0.112-972.0)**

Pos	Material #	Name	Qty.	Unit	from ser.nr.	up to ser.nr.
1	4.120-196.0	Wobble plate complete lift 4,09	1.000	ST	0000000000	0000000000
2	6.362-902.0	O-Ring 60x2,5 NBR 70	1.000	ST	0000000000	0000000000
3	6.303-260.0	Screw 5x26,4	4.000	ST	0000000000	0000000000
4	6.363-340.0	O-Ring 50 x 2,2 NBR 80	1.000	ST	0000000000	0000000000
5	4.067-050.0	Housing motor complete *USA K2.900	1.000	ST	0000000000	0000000000
6	6.648-586.0	Cable motor brown AWG18x270mm	1.000	ST	0000000000	0000000000
7	6.648-587.0	Cable motor red AWG18x225mm	1.000	ST	0000000000	0000000000
8	6.288-112.0	Engine oil 1L	1.000	ST	0000000000	0000000000

#### 40 Accessories (0.148-959.0)

---

Pos	Material #	Name	Qty.	Unit	from ser.nr.	up to ser.nr.
41	0.148-960.0	Hand trigger gun	1.000	ST	0000000000	0000000000
42	0.148-961.0	Jet pipe	1.000	ST	0000000000	0000000000



**41 Hand trigger gun (0.148-960.0)**

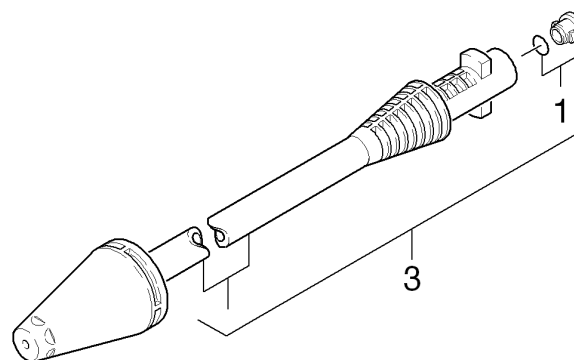
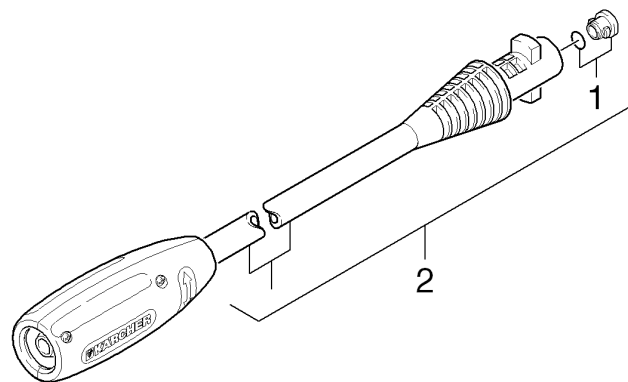
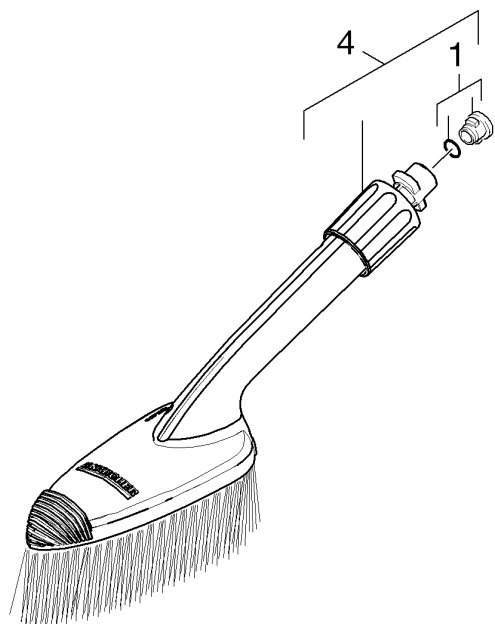
ET/VT (spare/wear parts)	Pos	Material #	Name	Qty.	Unit	from ser.nr.	up to ser.nr.
X	0	4.775-389.0	Pistol only for replacement M V1	1.000	ST	0000000000	0000000000
X-X	1	5.037-137.0	Clamp	1.000	ST	0000000000	0000000000
	2	5.332-464.0	Pressure spring	1.000	ST	0000000000	0000000000
X-X	3	6.363-198.0	O-Ring seal 6x2 90 shore PUR	1.000	ST	0000000000	0000000000
X-X	4	6.390-871.0	High pressure hose 6/11MPa	1.000	ST	0000000000	0000000000
X-X	5	2.880-296.0	Spare part set O-Ring seal 5x	1.000	ST	0000000000	0000000000
X-X	6	6.362-498.0	O-Ring seal 6,75x1,78 NBR 70	1.000	ST	0000000000	0000000000

**5 Spare part set O-Ring seal 5x (2.880-296.0)**

---

Pos	Material #	Name	Qty.	Unit	from ser.nr.	up to ser.nr.
10	6.362-957.0	O-Ring seal 10,0 X 2,0-EPDM 85-90	5.000	ST	0000000000	0000000000

---



**42 Jet pipe (0.148-961.0)**

ET/VT (spare/wear parts)	Pos	Material #	Name	Qty.	Unit	from ser.nr.	up to ser.nr.
X-X	1	2.640-729.0	O-Ring seal set	1.000	ST	0000000000	0000000000
X	2	4.760-535.0	VPS K2 025	1.000	ST	0000000000	0000000000
	3	4.763-991.0	Dirt blaster LP/027	1.000	ST	0000000000	0000000000
X-X	4	2.640-589.0	Brush lengthwise	1.000	ST	0000000000	0000000000