



Spare parts list

(16015410) K 2.56 M

(16015420) K 2.56 M QVC

(16015430) K 2.75 M PLUS *IT

(16015440) K 2.75 M Plus VPS*IT

(16015450) K 2.75 M Plus WB T50 *IT

CONTENT LIST

1.0 Housing

2.0 Pump set

2.1 Housing

2.2 Thrust guidance

3.0 Motor

4.0 Accessories

4.1 Hand trigger gun

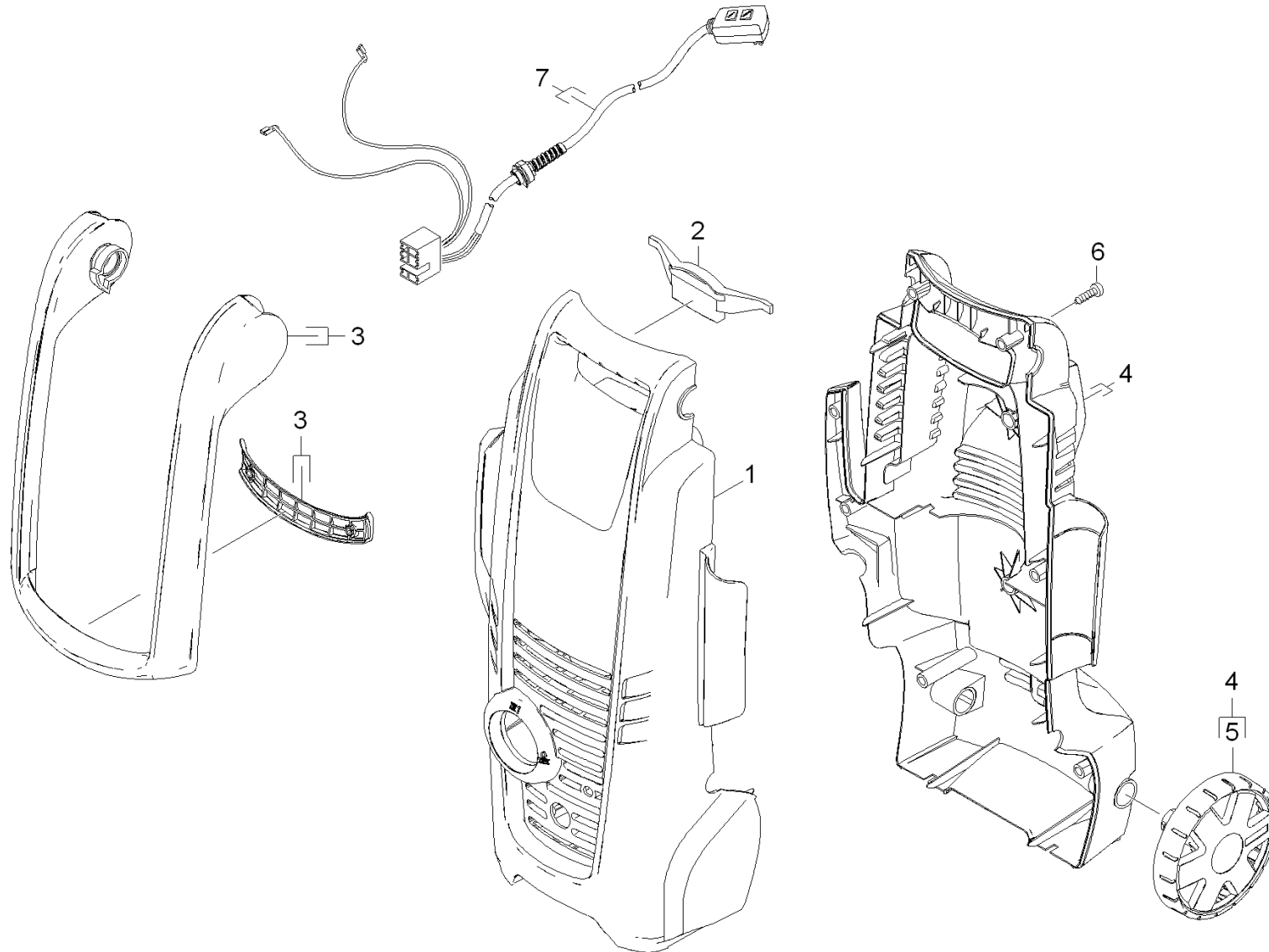
VERSION 1

4.2 Hand trigger gun

VERSION 2

4.3 Jet pipe

1.0 Housing



1.0 Housing

POS	DESCRIPTION ADDITIONAL INFORMATIONS	PART NO	QTY.	FROM SER.NR.	UP TO SER. NR.
1	Cover front neutrally K2.56	97605330	1		
2	Locking part handhold K2.56	50329330	1		
3	Hand grip complete K2.56M */CA	97503210	1		
4	Chassis rear complete K2.56M */CA	97761440	1		
5	Wheel complete SET OF 2 PIECES	90011390	1		
6	Screw Hi-Lo d.4x22 Torx-d.7,5	90861730	8		
7	Cable complete with multi-connector 1.601-541.0 /-542.0	97500720	1		
7	Cable complete Multiconnector *EU 1.601-543.0 /-544.0 /-545.0	97501660	1		

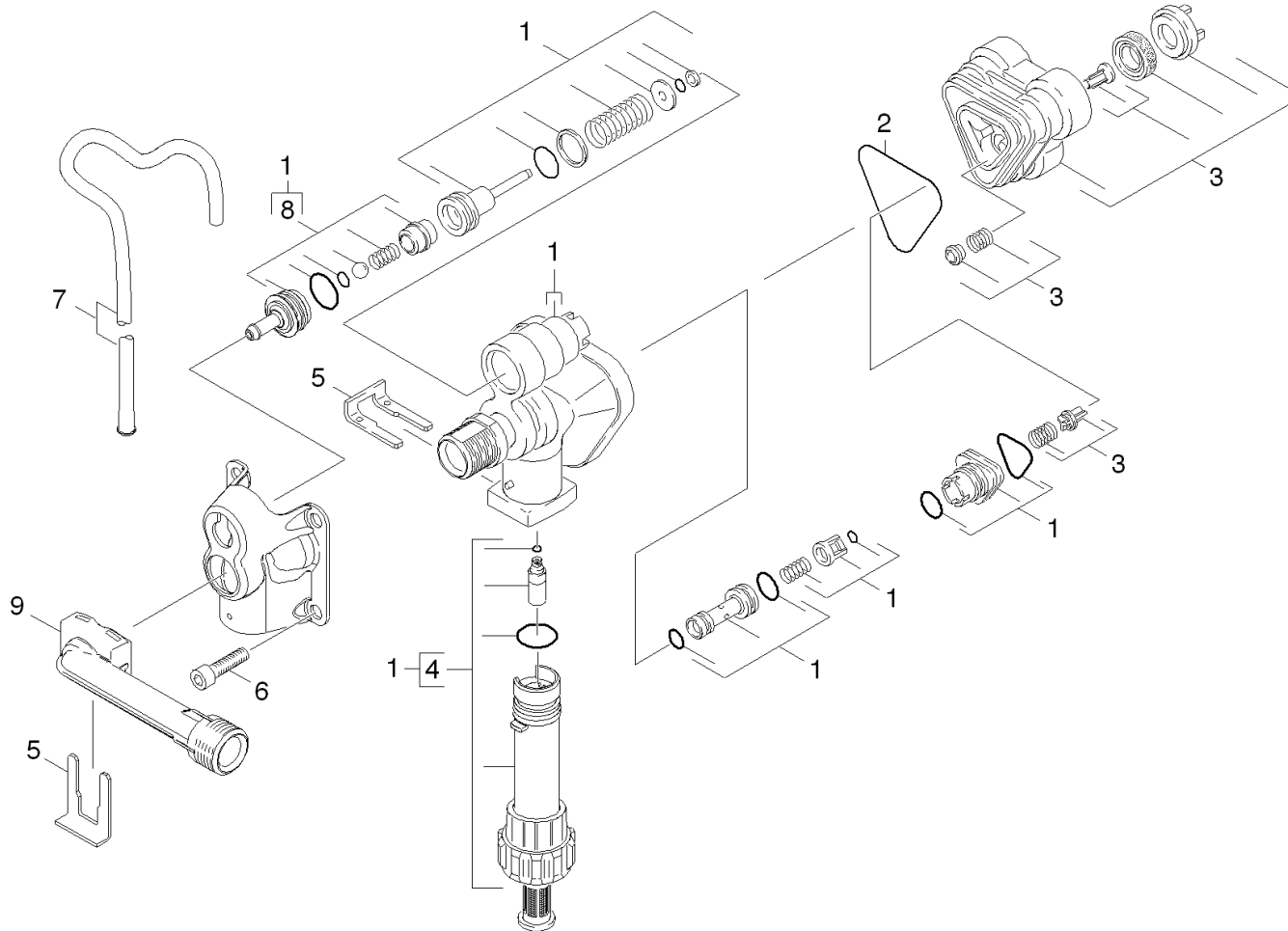
2.0 Pump set

2.1 Housing

2.2 Thrust guidance



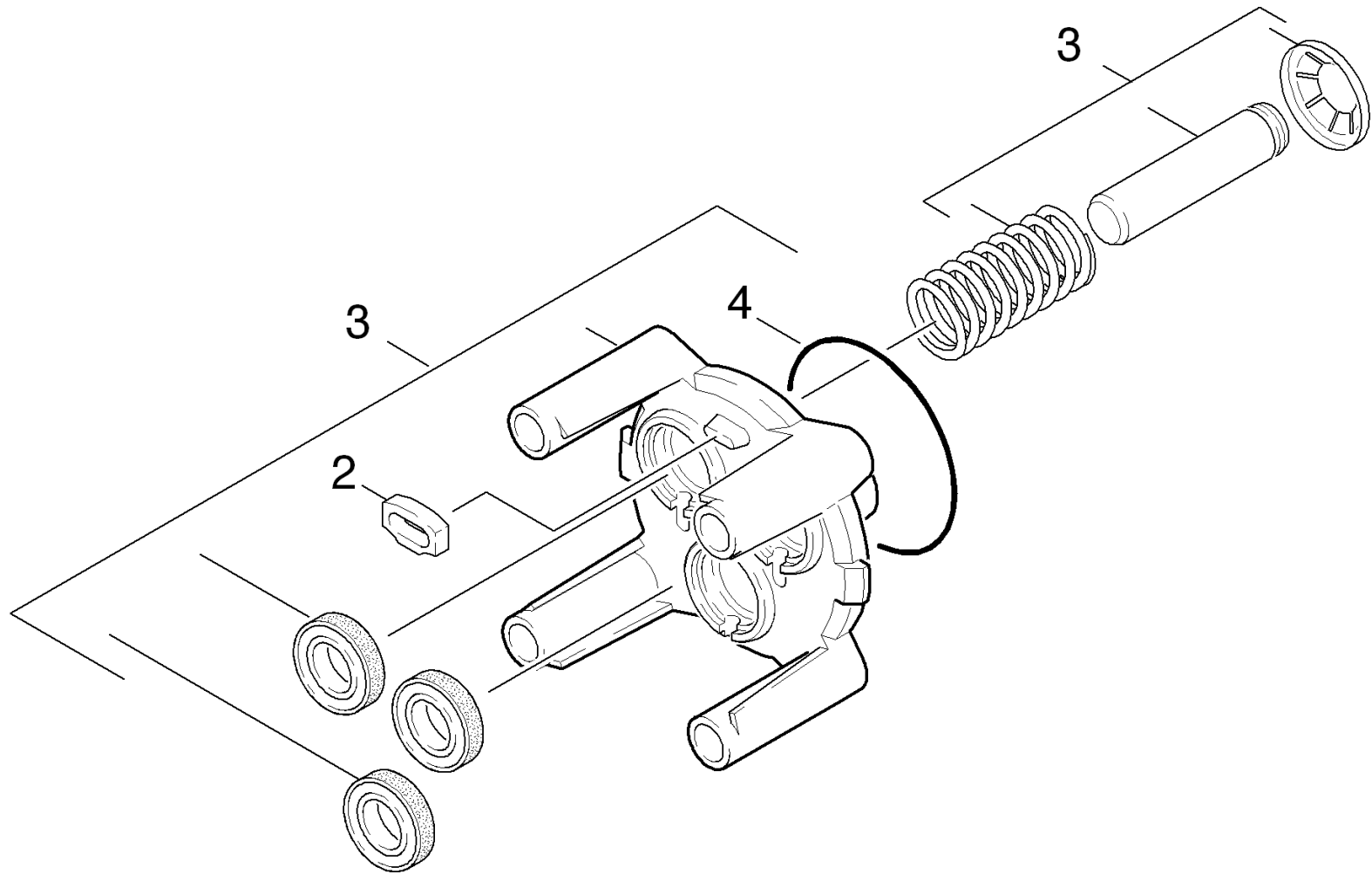
2.1 Housing



2.1 Housing

POS	DESCRIPTION ADDITIONAL INFORMATIONS	PART NO	QTY.	FROM SER.NR.	UP TO SER. NR.
1	Manifold complete replacement K2.26* 1.601-541.0 /-542.0	97501760	1		
1	Housing complete replacement K2.29 120V* 1.601-543.0 /-544.0 /-545.0	97504810	1		
2	Form seal	90814220	1		
3	H.P. head complete Spare Part	97601970	1		
4	Suction connection replacement +SV 1.601-541.0 /-542.0	97501770	1		
4	Suction connection replacement K2.29*BR 1.601-543.0 /-544.0 /-545.0	97504830	1		
5	Metal fork	90391480	2		
6	Cylinder head screw M8x65 -8.8-A2E ISO4	73061510	4		
7	Filter cleaning agents W107/207	90119110	1		
8	Detergent fitting assembly (CEN)	97500580	1		
9	Connection delivery side	97608130	1		

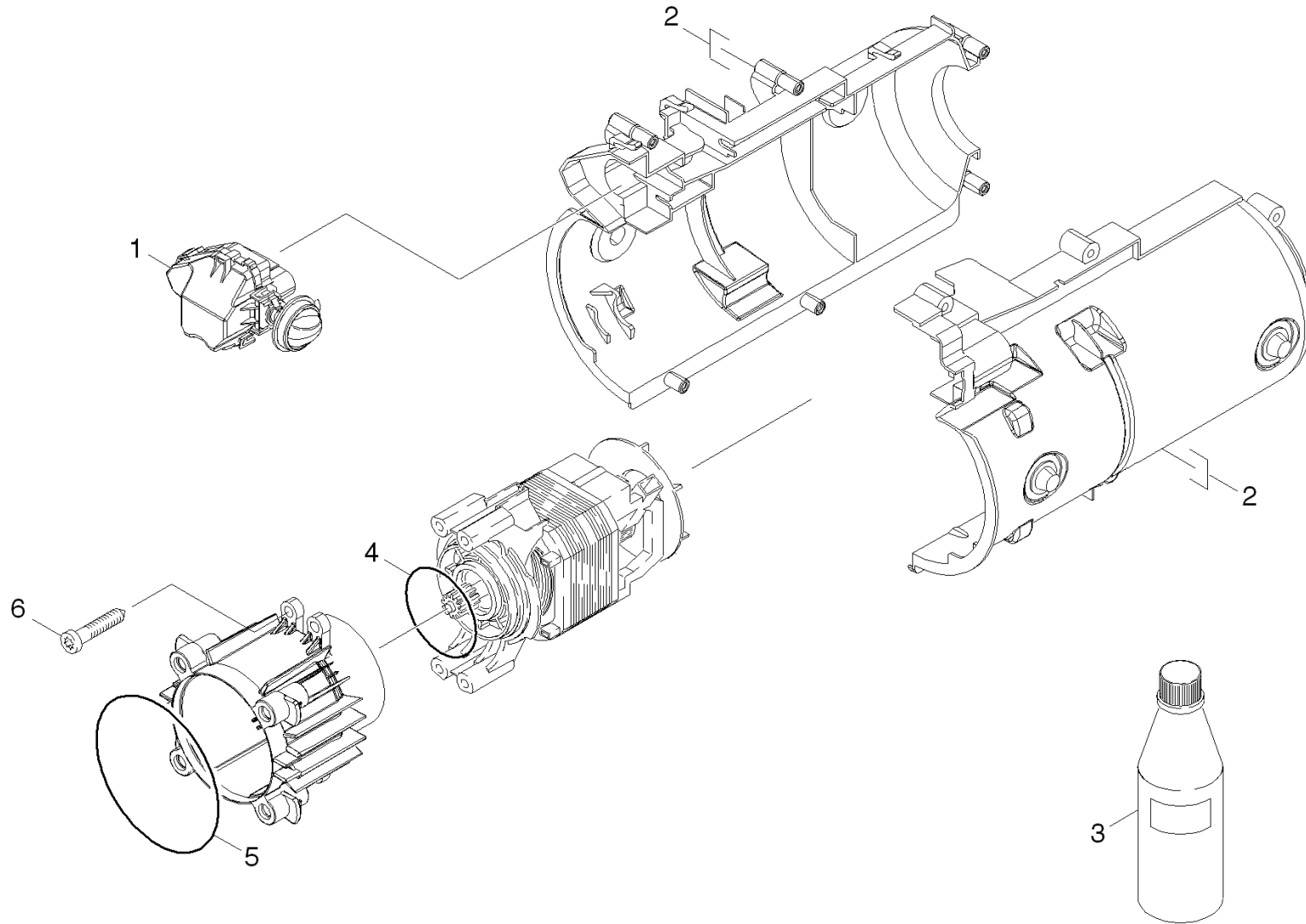
2.2 Thrust guidance



2.2 Thrust guidance

POS	DESCRIPTION ADDITIONAL INFORMATIONS	PART NO	QTY.	FROM SER.NR.	UP TO SER. NR.
2	Spacer - Seal	90480710	1		
3	Piston guidance replacement complete (CE	97500780	1		
4	O-Ring seal 60x2,5 -NBR 80	63633390	1		

3.0 Motor



3.0 Motor

POS	DESCRIPTION ADDITIONAL INFORMATIONS	PART NO	QTY.	FROM SER.NR.	UP TO SER. NR.
1	Electric box complete replacement K2.26* 1.601-541.0 /-542.0	97501780	1		
1	Electric box complete replacement K2.21* 1.601-543.0 /-544.0 /-545.0	97760800	1		
2	Housing motor replacement *(CEN) 1.601-541.0 /-542.0	97500790	1		
2	Housing motor replacement K2.18M *EU 1.601-543.0 /-544.0 /-545.0	97504070	1		
3	Engine oil 1L	62881120	1		
4	O-Ring 50 x 2,2 NBR 80	63633400	1		
5	O-Ring seal 60x2,5 -NBR 80	63633390	1		
6	Screw 5x26,4	63032600	4		

4.0 Accessories

4.1 Hand trigger gun

VERSION 1

4.2 Hand trigger gun

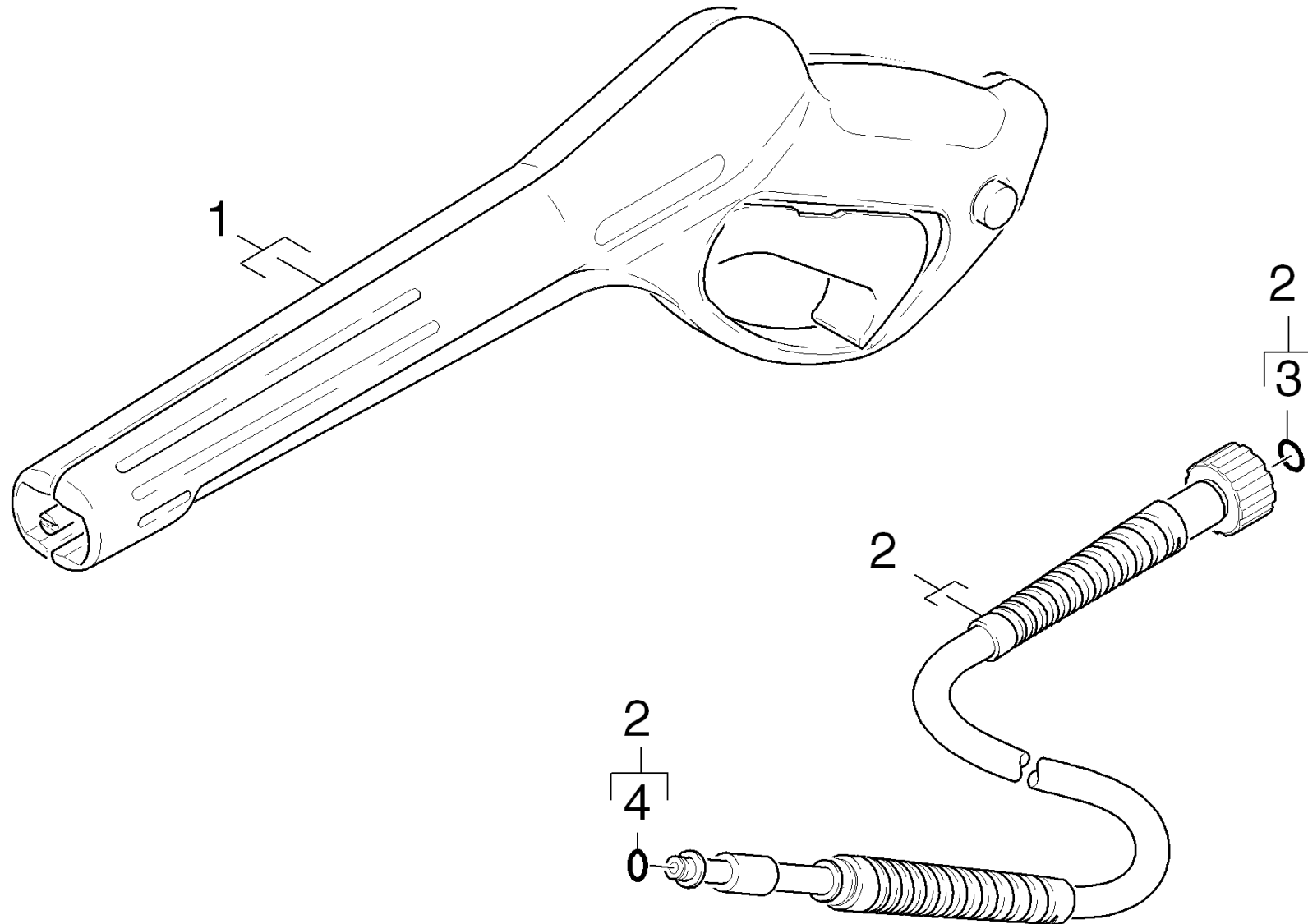
VERSION 2

4.3 Jet pipe



4.1 Hand trigger gun

VERSION 1



4.1 Hand trigger gun

VERSION 1

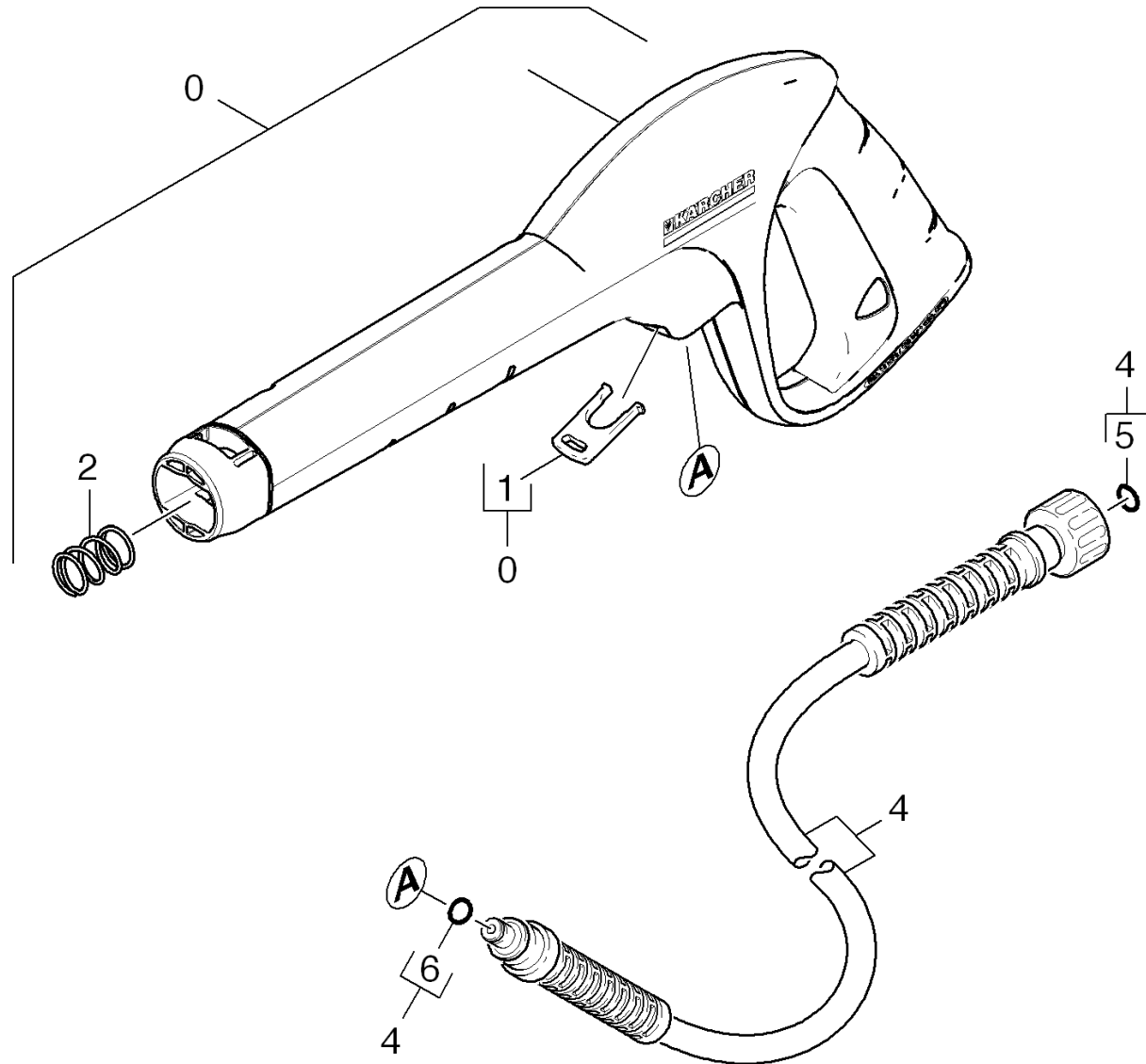
POS	DESCRIPTION	PART NO	QTY.	FROM SER.NR.	UP TO SER. NR.
-----	-------------	---------	------	--------------	----------------

ADDITIONAL INFORMATIONS

1	Pistol replacement 97K	47753310	1		
2	High pressure hose 6/11MPA, neutr.,40G,M	63915710	1		
3	O-Ring kit	28801540	1		
4	O-Ring seal 6,75x1,78 NBR 70	63624980	1		

4.2 Hand trigger gun

VERSION 2

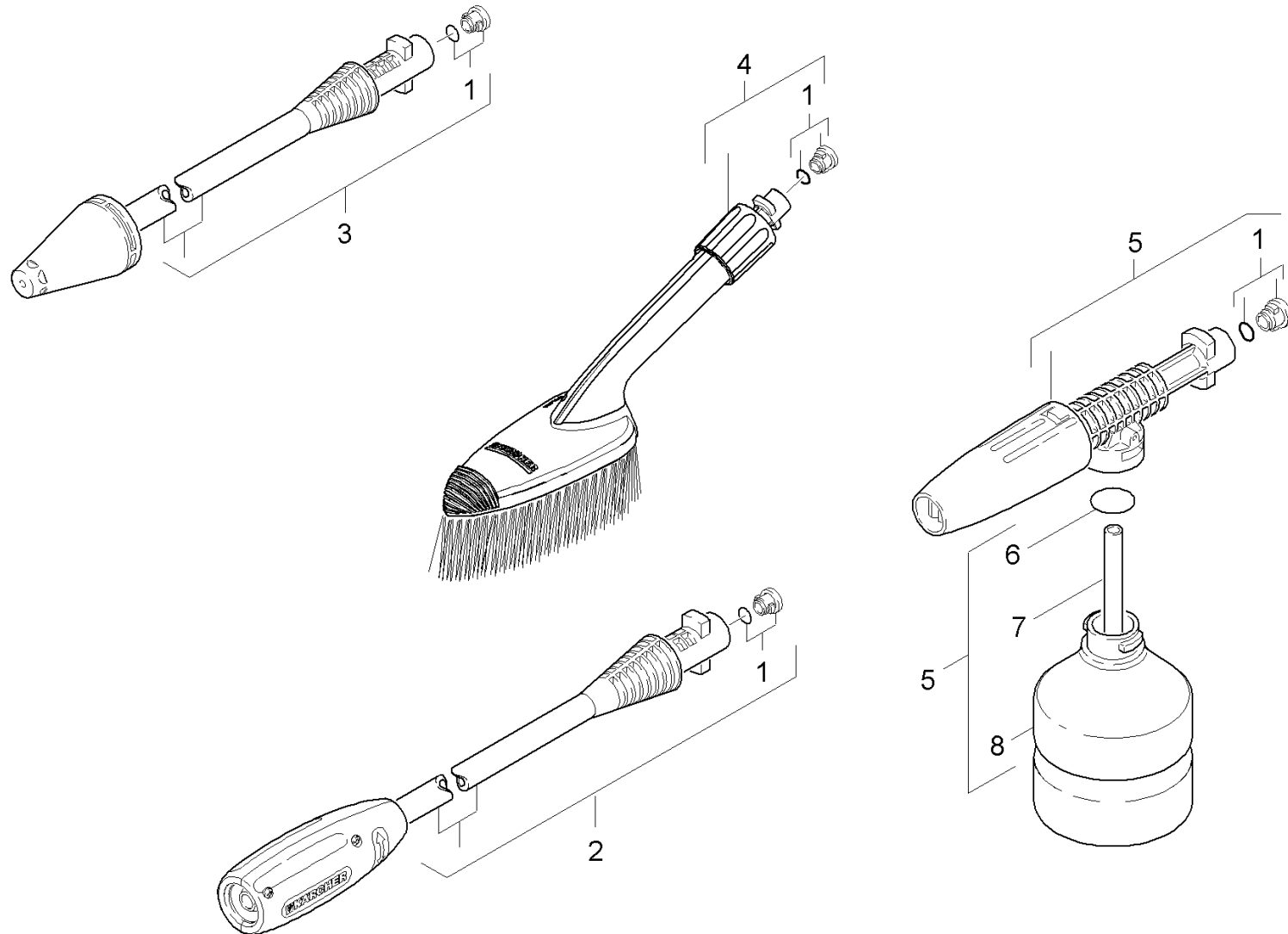


4.2 Hand trigger gun

VERSION 2

POS	DESCRIPTION ADDITIONAL INFORMATIONS	PART NO	QTY.	FROM SER.NR.	UP TO SER. NR.
0	Pistol good packaged replacement 16MPa/6	26419590	1		
1	Clamp	50371850	1		
2	Pressure spring	53324640	1		
4	High pressure hose 6/11MPa (6m)	63908710	1		
4	High pressure hose 5/11MPa, Kaercher (5m)	63913610	1		
5	Spare part set O-Ring seal 5x	28802960	1		
6	O-Ring seal 6,75x1,78 NBR 70	63624980	1		

4.3 Jet pipe



4.3 Jet pipe

POS	DESCRIPTION ADDITIONAL INFORMATIONS	PART NO	QTY.	FROM SER.NR.	UP TO SER. NR.
1	O-Ring seal set	26407290	1		
2	VPS K2 026 1.601-541.0 /-542.0	47605200	1		
2	VPS packaged K2 028 1.601-544.0 /-545.0	47605430	1		
3	Rotor nozzle 0295 Clas.Line verpackt 1.601-543.0 /-544.0 /-545.0	47639770	1		
3	Rotor nozzle LP/027 1.601-541.0 /-542.0	47639910	1		
4	Brush lengthwise	26405890	1		
5	Foam nozzle packaged 0,3 l	26418480	1		
6	O-Ring seal 21,0 X 3,0	69640080	1		
7	Hose chemistry	69640460	1		
8	Bottle chemistry	69640070	1		