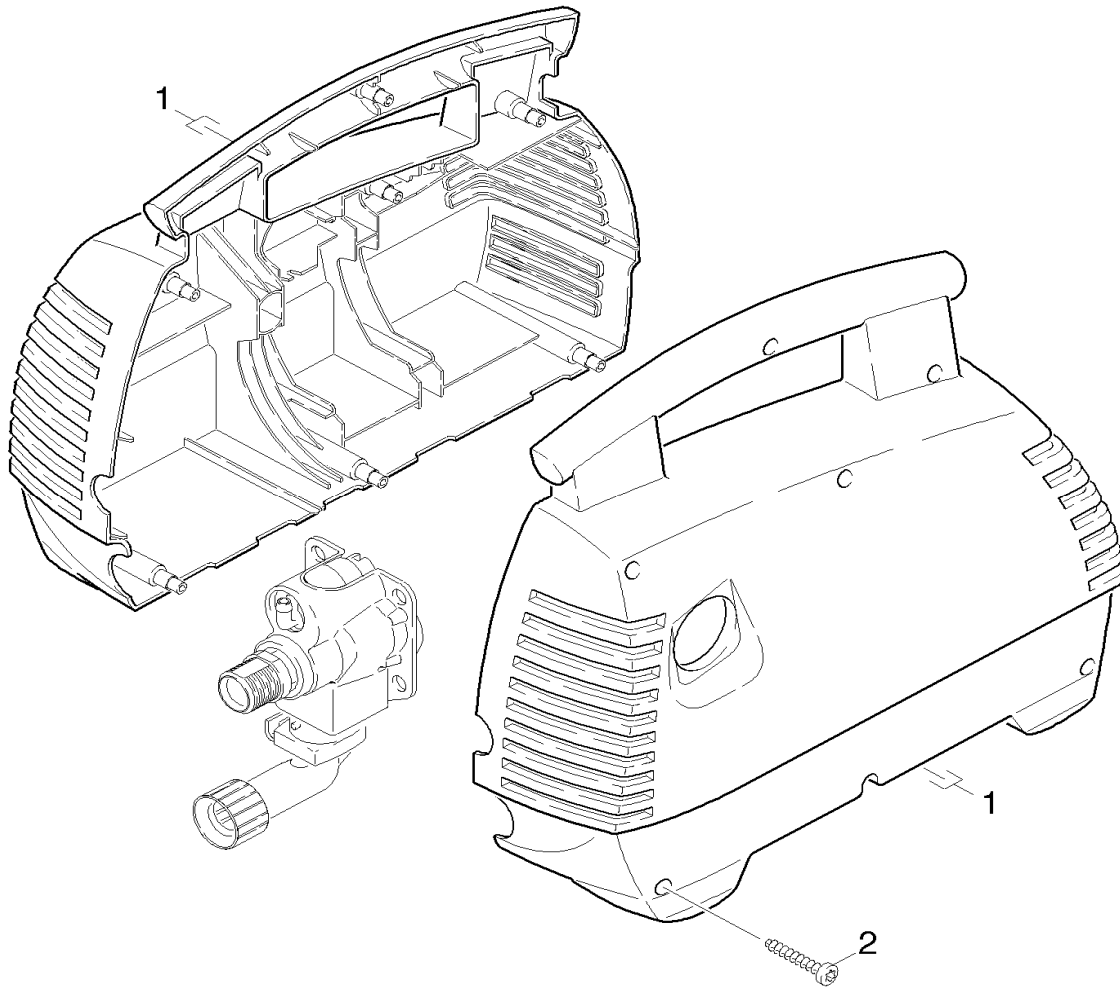


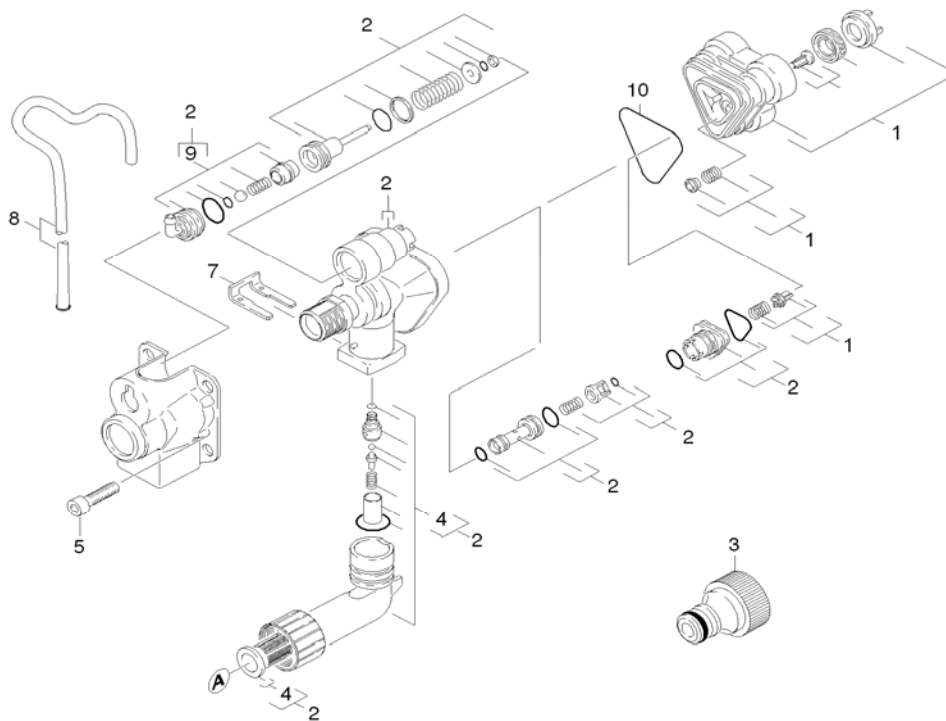
PARTS BREAKDOWN FOR K2.93 Plus (1.601-105.0)

Location	PN	DESCRIPTION	QTY
PIECE PARTS			
1	97600510	K2.93 shells	1
2	90861730	Screw Hi-Lo d.4x22 Torx-d.7,5	9



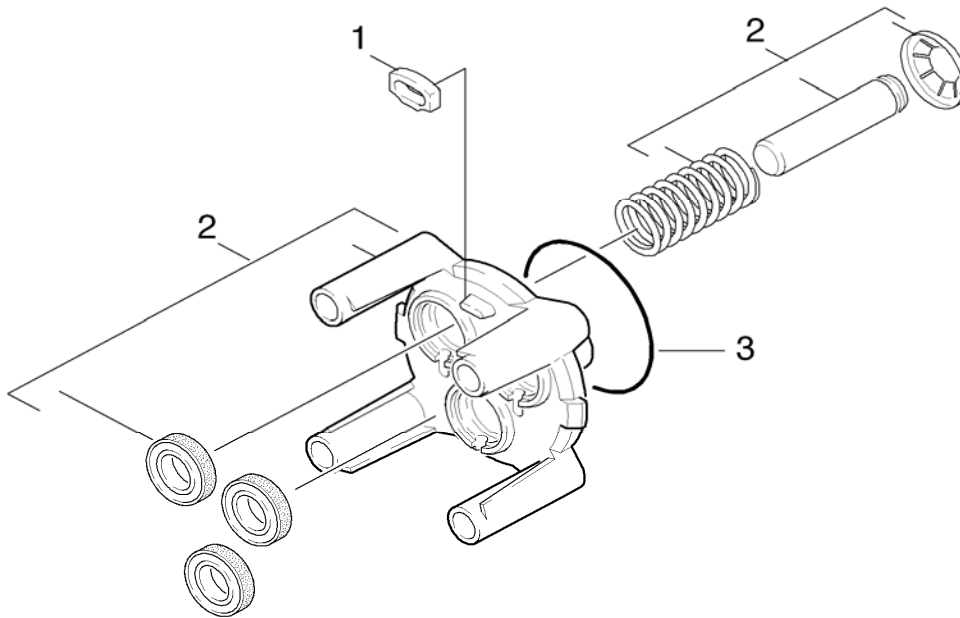
PARTS BREAKDOWN FOR K2.93 Plus (1.601-105.0)

Location	PN	DESCRIPTION	QTY
PUMP - HOUSING			
1	97601970	H.P. head complete Spare Part	1
2	97501730	Manifold complete spare part K2.93*MX	1
3	63898700	Connection 3/4"	1
4	97760300	Suction connection complete	1
5	90862000	Screw M 8x55 Class 8.8	4
7	90391480	Metal fork	1
8	90119110	Filter cleaning agents W107/207	1
9	90112850	Aspiration cleaning agents	1
10	90814220	Form seal	1



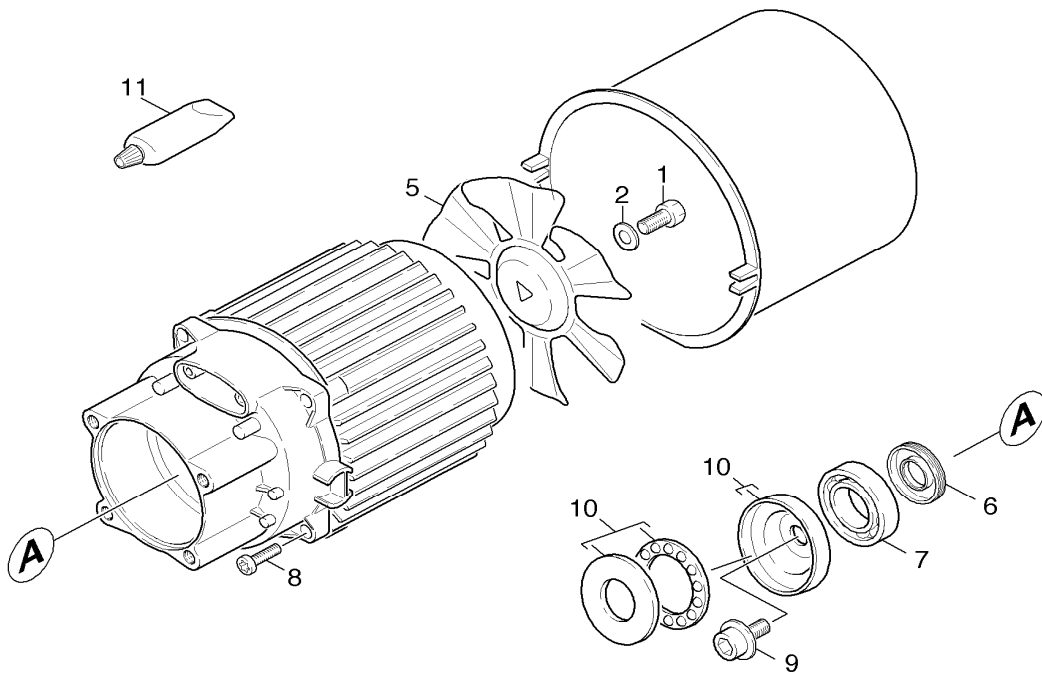
PARTS BREAKDOWN FOR K2.93 Plus (1.601-105.0)

Location	PN	DESCRIPTION	QTY	from SN	to SN
PUMP - PISTON GUIDANCE					
1	90480710	Spacer - Seal	1		
2	97760730	Thrust guidance replacement K2.93*MX-DI	1	20794	
3	63629020	O-Ring 60x2,5 NBR 70	1		



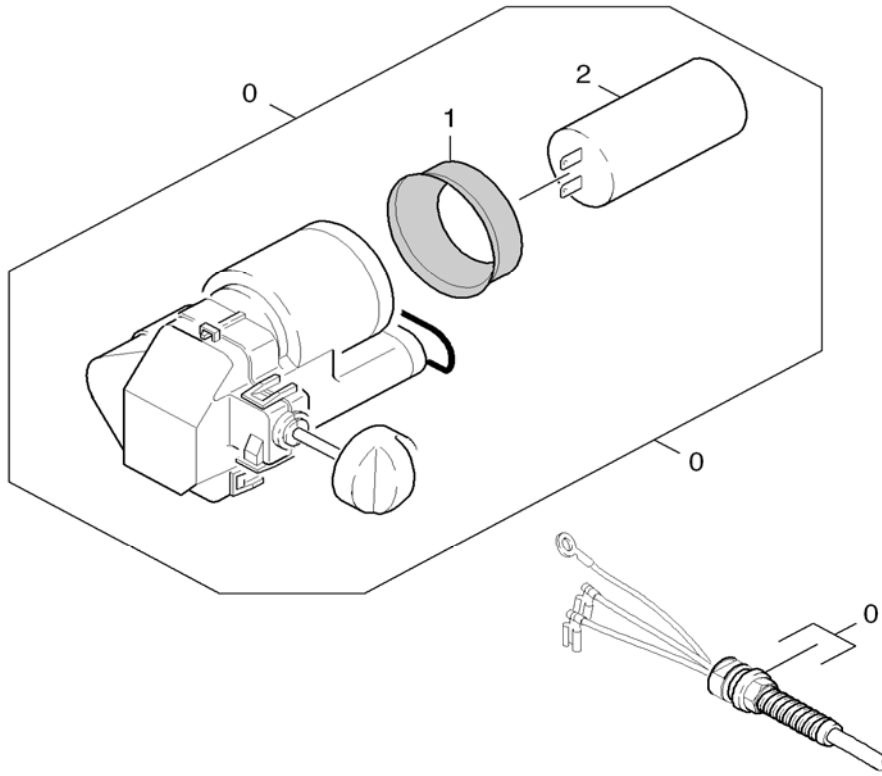
PARTS BREAKDOWN FOR K2.93 Plus (1.601-105.0)

Location	PN	DESCRIPTION	QTY
MOTOR			
1	73043950	Hexagonal head screw M8x16-8.8-A2E ISO	1
2	73122330	Serrated lock washer A8,4-FSt-A3E DIN67	1
5	90391880	Blower wheel	1
6	90780080	Sealing ring d. 15x24x5 NBR 70	1
7	74010100	Ball bearing 6303 -St DIN 625	1
8	90861530	CYLINDER HEAD KPL.	4
9	90861690	Wobble plate screw M8x16	1
10	90013020	Swash plate	1
11	69640920	Viscous oil 50ml	1



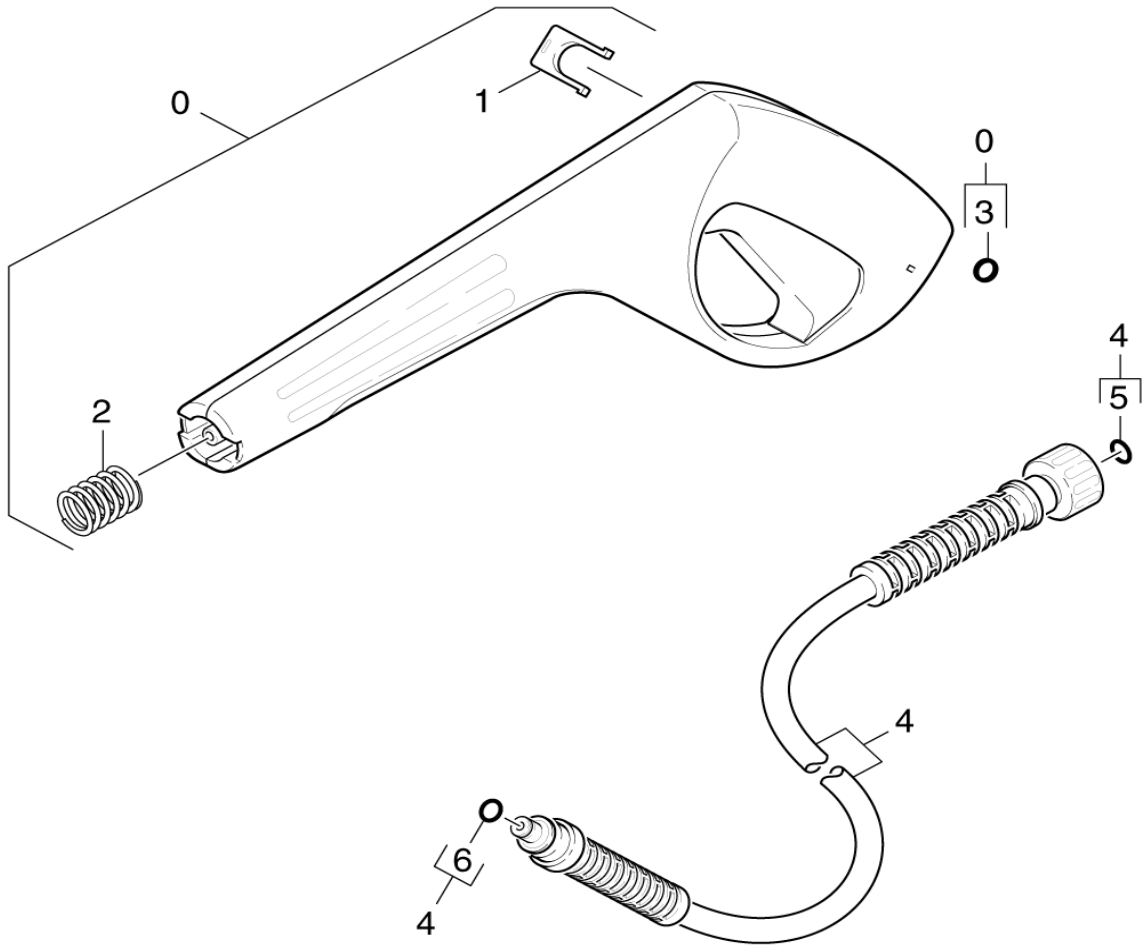
PARTS BREAKDOWN FOR K2.93 Plus (1.601-105.0)

Location	PN	DESCRIPTION	QTY	from SN	to SN
ELECTRICAL BOX					
0	97760720	Electric box complete replacement K2.93*	1	20794	
0	97501720	Electric box complete replacement K2.93*	1		20793
1	90804210	Joint ring capacitor d.45, 70 Shore	1		
2	66611960	Capacitor 60 μ F	1		



PARTS BREAKDOWN FOR K2.93 Plus (1.601-105.0)

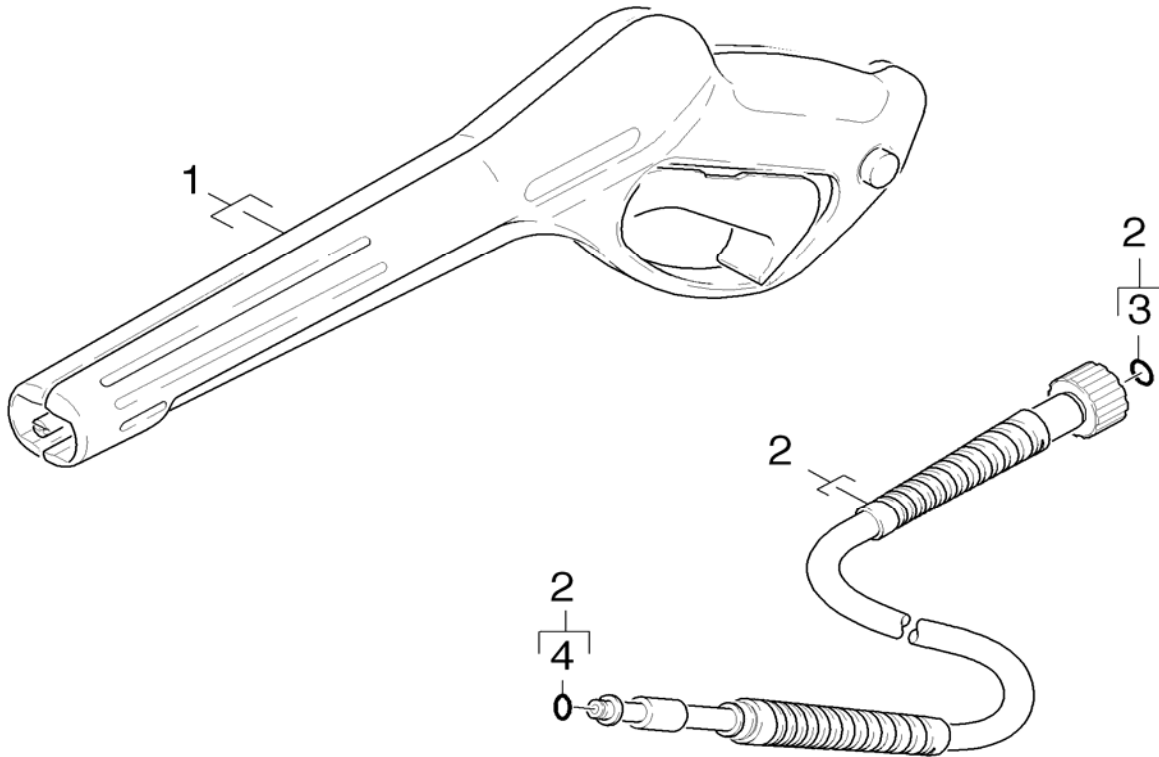
Location	PN	DESCRIPTION	QTY
ACCESSORIES - TRIGGER GUN			
0	26412020	Pistol-M replacement packaged V1.1 RM K2	1
1	50371640	CLAMP	1
2	53324640	Pressure spring	1
3	63631980	GASKET	1
4	63908710	High pressure hose 6/11MPa	1
5	28802960	Spare part set O-Ring seal 5x-Kaercher	1
6	63624980	O-Ring seal 6,75x1,78 NBR 70	1



THERE ARE NO INTERNAL PARTS AVAILABLE FOR THIS TRIGGER GUN

PARTS BREAKDOWN FOR K2.93 Plus (1.601-105.0)

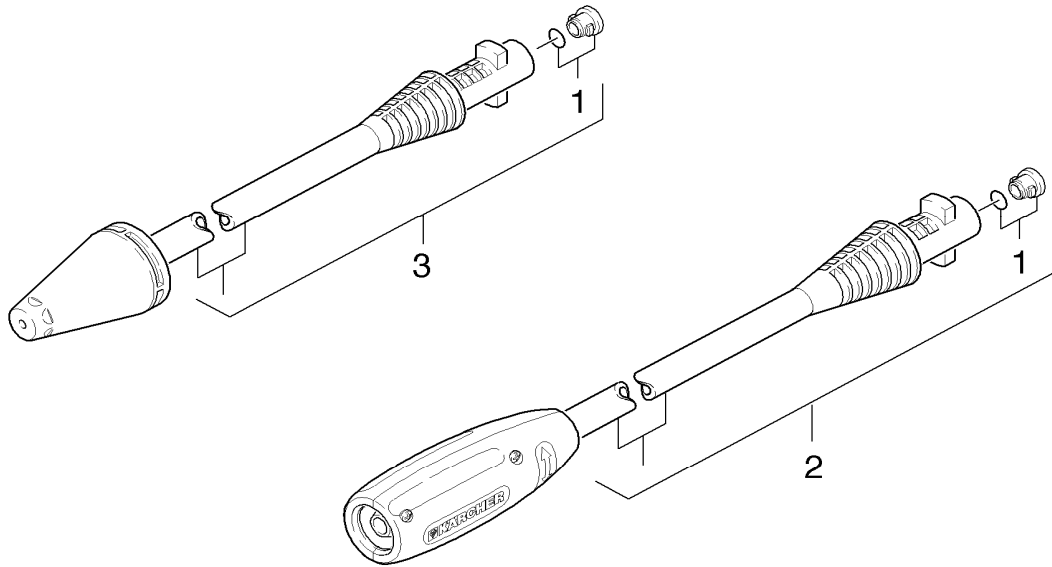
Location	PN	DESCRIPTION	QTY
ACCESSORIES - TRIGGER GUN optional			
1	47753310	Pistol replacement 97K	1
2	63915710	High pressure hose 6/11MPA, neutr.,40G,M	1
3	28801540	O-Ring kit	1
4	63624980	O-Ring seal 6,75x1,78 NBR 70	1



THERE ARE NO INTERNAL PARTS AVAILABLE FOR THIS TRIGGER GUN

PARTS BREAKDOWN FOR K2.93 Plus (1.601-105.0)

Location	PN	DESCRIPTION	QTY
ACCESSORIES - SPRAY WAND			
1	26407290	O-Ring seal set	1
2	47605200	VPS K2 026	1
3	47639910	ROTARY NOZZLE	1



THERE ARE NO INTERNAL PARTS AVAILABLE FOR KARCHER SPRAY WANDS