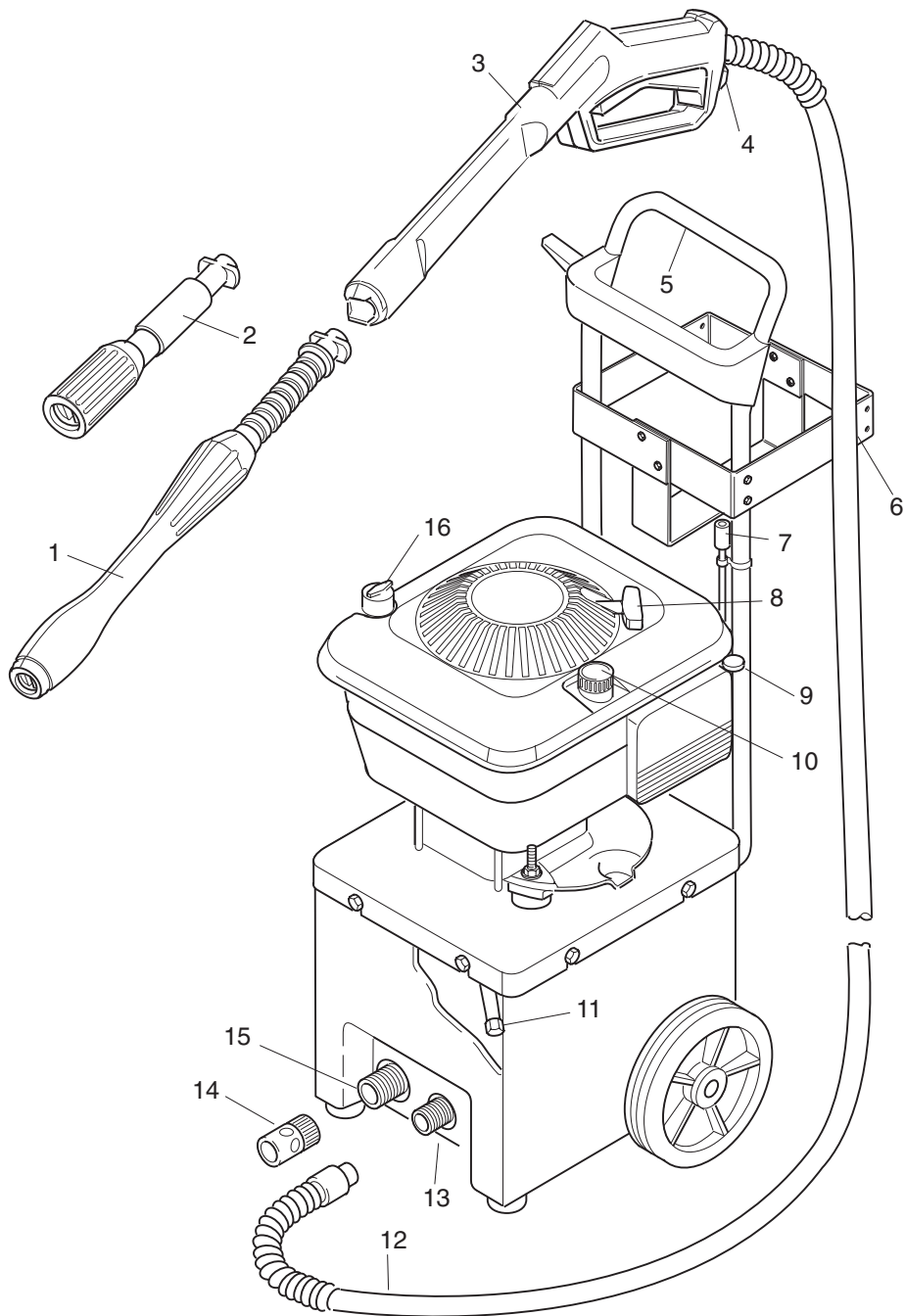


 **KÄRCHER** 1750 GM



- 1 Spray lance with pressure control
- 2 Spray lance extension
- 3 Hand gun
- 4 Safety catch
- 5 Handle
- 6 Holder for detergent container
- 7 Detergent hose with filter and metering
- 8 Pull-start handle
- 9 Throttle lever
- 10 Tank lid
- 11 Oil drain plug
- 12 High-pressure hose
- 13 High-pressure outlet
- 14 Hose coupling
- 15 Water inlet with strainer
- 16 Oil filler hole with dipstick

1.1 Unpacking the unit

- Should you notice any transport damage during unpacking, notify your dealer immediately.
- Because you care about the environment, please do not dispose of packaging components in regular domestic waste. Instead, take the items to a collection point for recycling.

1.2 Attaching the accessories

- Mount the holding basket for the detergent (3 metal hoops) to the push handle.
- Attach the push handle to the unit.

1.3 Engine

- Prior to using the unit, read the operating instructions supplied by the engine manufacturer, and pay particular attention to the safety instructions.
- Fill the fuel tank with unleaded petrol. Do **not** use a petrol/oil mixture for two-stroke engines.
- The engine is supplied without engine oil. A certain amount of engine oil is packaged with the unit. Pour this engine oil into the oil filler hole on the engine.
- Check the engine oil level. Do not start the engine if the oil level has dropped below the „MIN“ level. Top up oil if necessary. For draining the engine oil, the front cover of the pump must be removed.

1.4 Pump

- The pump is filled with oil. An oil change is not required.



- FIRE HAZARD! Do not operate the high-pressure cleaner if fuel has been spilled. Instead, move the machine to a different location and avoid creating sparks of any kind.
- Do not store, spill or use engine fuels near open flame or in the vicinity of devices featuring an open pilot flame, such as boilers, water heaters, etc., or device that may create sparks of any kind.
- Keep flammable items and materials away from the engine silencer (minimum distance: 2 meters).
- Do not operate the motor without the silencer, and check and clean the latter on a regular basis. Replace if necessary.
- Do not use the motor in woods, scrubs and grasslands without having a spark catcher attached to the silencer.
- Except during engine tuning, do not operate the engine with the air cleaner removed, or without a suitable cover over the air intake.
- Do not make adjustments to governor springs, governor linkages or other parts that may result in a higher engine RPM.
- BURN HAZARD! Do not touch hot silencers, cylinders or cooling fins.
- ASPHYXIATION HAZARD! Exhaust fumes are poisonous. Never operate the unit in enclosed rooms.

1.5 Water inlet

- See „Specifications“ for connection data.
- Connect the hose coupling with the threaded water inlet on the unit.
- Connect a water supply hose (not supplied with the unit) with the unit, and with the water mains.

1.6 Suction feed operation

To draw water from an open reservoir, proceed as follows:

- Remove the threaded coupling from the unit's water inlet, and directly connect a suction feed hose with filter (order no. 4.440-238) to the water inlet.
- Set the metering ring on the detergent suction hose to zero.
- Without the high-pressure hose being attached, operate the pump until a solid stream of water exits at the high-pressure outlet.
- At this point, connect the high-pressure hose again.

Note:

Dirt in the feed water could lead to the appliance being damaged. To avoid this risk, we recommend fitting a filter. A suitable filter with 3/4" connection.

1.7 Spray lance Vario Power

- To attach the spray lance to the hand gun, insert the spray lance into the bayonet coupling of the hand gun. Overcoming the spring pressure, firmly press the lance into the coupling and twist it a quarter-turn until it locks into place.
If required, you can use the additional spray lance extension.

2.1 Operating with high pressure

- Start the engine while observing the engine manufacturer's operating instructions.
- Release the safety catch on the hand gun, and press the lever.
- The working pressure can be continuously adjusted by turning the outer shell of the spray lance (+/-).

2.2 Operating with detergent

- Set the lowest working pressure with the spray lance. No detergent can be drawn in with a high working pressure.
- Hang the detergent suction hose into the detergent reservoir (not supplied with the unit).
- To protect the environment, we recommend to use detergents sparingly. Observe the metering and/or mixing instructions provided on the packaging labels of the detergent supply containers.
- By offering you an individualised range of cleaning and preserving agents, Kärcher guarantees trouble-free operation of the unit. Request more information or ask for our catalogue and/or individual information brochures on specific detergents.

Universal cleaner Profi RM 555 ASF
This cleaning agent may be used undiluted.

Universal cleaner Profi RM 555 ULTRA
Automotive cleaner Profi RM 555 ULTRA
House and garden cleaner Profi RM 565 ULTRA
Boat cleaner Profi RM 575 ULTRA
Before using, these cleaning agents must be diluted with 9 parts of water (1:9).

Note:

Only cleaning agents approved by the equipment manufacturer may be used. Unsuitable detergents may damage the unit and the object being cleaned.

We recommend the following cleaning method:

Step 1: Pre-soaking the area to be cleaned.

Spray the detergent sparingly onto the area to be cleaned and allow to soak for 1 – 4 minutes.

Step 2: Cleaning step

Using the high-pressure jet, flush the area clean.

- After using a detergent, the unit should be flushed with clean water. To do this, hang the detergent suction hose into a container filled with clean water, and operate the pump for approximately 1 minute.

2.3 Work interruptions

- To prevent damage caused by overheating water, switch OFF the pump during work breaks that are longer than 15 minutes.

2.4 Switching OFF the unit

- After operating the unit with water having a high saline content (i.e., sea water), the unit should be flushed for 2 – 3 minutes with tap water while the handgun is open.
- Set the throttle to the STOP position.
- Close the water supply valve and unscrew the water supply line from the water inlet of the unit.
- Actuate the handgun trigger until the unit is no longer pressurised.
- Prevent inadvertent opening of the handgun trigger by locking it with the safety catch.

3.1 Monthly or as required

- Clean the filter on the detergent suction hose.
- Clean the high-pressure nozzle.
Using a needle, remove possible blockages from the nozzle orifice. Afterwards, flush with water from the front.
- Clean the strainer in the water inlet. It can easily be pulled out with a pair of pliers.

3.2 Precautions in freezing temperatures

- A unit that has not been completely drained may be damaged by water freezing inside the components. During the winter season, it is recommended to store the unit in a heated area. If this is not feasible, the unit should be completely drained and flushed with antifreeze.
- Draining the unit
 - Remove the water feed hose and high-pressure hose from the unit.
 - Allow the unit to operate for a maximum 1 minute until the pump and the lines have been purged.
- Antifreeze
In the event that the unit is taken out of operation for extended periods, flushing the unit with an antifreeze is recommended. This practice also achieves a certain degree of corrosion protection.

4. Troubleshooting

This chapter contains a few helpful hints which may help you remedy small defects without requiring further assistance. In all other cases please contact the authorised customer service.

4.1 Unit does not run

- Perform the maintenance procedures on the engine as outlined in the operating instructions issued by the engine manufacturer.

4.2 Unit does not reach operating pressure

- Adjust the spray lance for maximum working pressure.
- Clean the water inlet strainer.
- Check the water supply volume.
- Check all supply lines feeding the pump for possible leaks or blockage.

4.3 Strong pressure fluctuations

- Clean the high-pressure nozzle. Remove dirt from the nozzle bore using a pin and rinse out with water.

4.4 Pump is leaking

- Three drops per minute are normal. In the event that the exiting water volume is larger, contact the authorised customer service.

4.5 No detergent is being drawn in

- Adjust the spray lance for the lowest working pressure.
- Clean both the detergent suction hose and the filter, and check the hose for leaks.

5.1 Possible applications

- Use the unit for cleaning machines, vehicles, buildings, tools, etc.
- For example, clean facades, terraces, and garden implements, etc. with the high-pressure jet only.
- For reasons of environmental protection, engines may only be cleaned in locations equipped with suitable oil separators.
- In the event that the unit is used at petrol stations and in other hazardous areas, the appropriate safety regulations must be observed.
- For the removal of stubborn dirt, we recommend the use of the dirt blaster which is available as an optional accessory.

5.2 Safety devicesSafety Valve/Overflow valve

The safety valve also serves as the overflow valve. When the hand gun is closed, the valve opens and water is returned to the suction side of the pump.

5.3 Warranty

The applicable warranty conditions in different countries are issued by the respective national distributor of products. During the warranty period, any malfunctions of the unit caused by a material or manufacturing defect will be repaired free of charge. In the event of a warranty claim, please take the unit, with proof of purchase, to your original dealer, or to the nearest authorised customer service centre.

Engine Data

Briggs & Stratton Petrol engine 1 cylinder, four-stroke

Nominal output at 3600 RPM	3.6 kW 5.0 HP	3.6 kW 5.0 HP
Operating RPM	3150 r.p.m.	3150 r.p.m.
Fuel tank capacity	1.42 l	0.4 gal
Fuel type	petrol unleaded	petrol unleaded
Sound pressure level (DIN 45635)	87 dB (A)	87 dB (A)
Sound power level	100 dB (A)	100 dB (A)

Water connection

Supply temperature (max.)	60 °C	140 °F
Supply rate (min.)	600 l/h	2.6 g.p.m.
Supply hose (Order no. 4.440-207)		
– length (min.)	7.5 m	25 ft
– diameter (min.)	3/4 "	3/4 "
Suction height from open tank at a water temperature of 20 °C/68 °F	1.0 m	39 in

Performance data

Operating pressure	120 bar	1750 psi
Flow rate	500 l/h	2.2 g.p.m.
Detergent intake	0–30 l/h	0–8 g.p.h.
Recoil force of handgun at operating pressure (max.)	23 N	23 N

Dimensions

Length	493 mm	21 in
Width	371 mm	15 in
Height	915 mm	39 in
Weight without accessories	25 kg	55 lbs