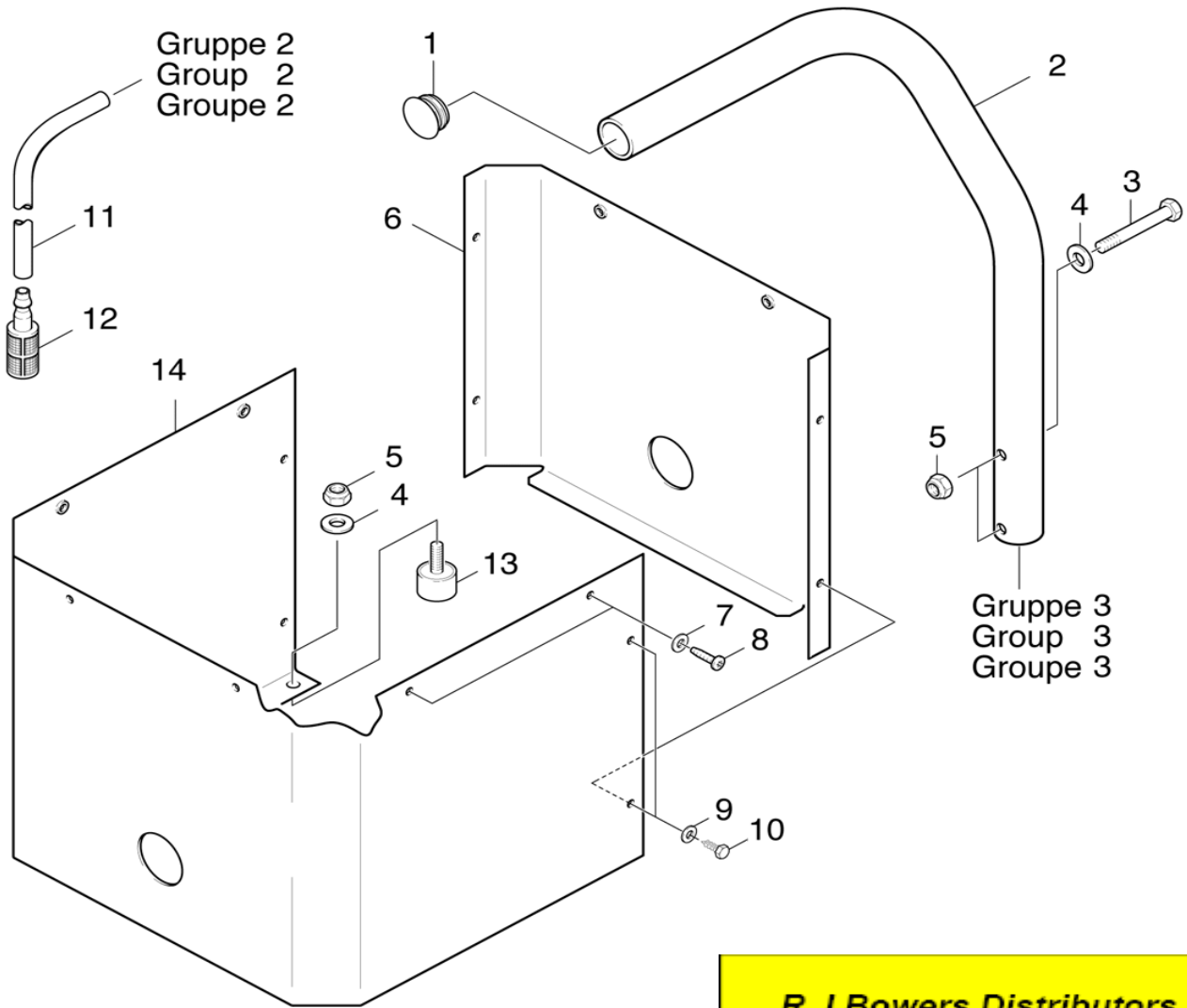


PARTS BREAKDOWN FOR K1350G (1.961-686.0)

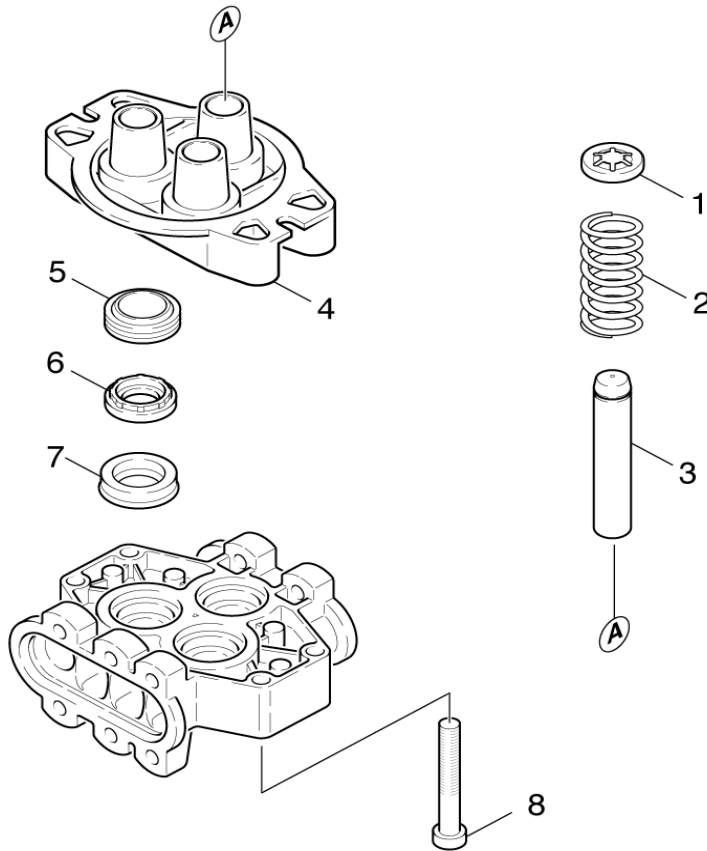
Location	PN	DESCRIPTION	QTY	SERIAL #	
				FROM	TO
1.0 PIECE PARTS					
1	6368-1960	Drain plug	1		
2	7777-9990	Stockpiling discontinued	1		
3	7306-1310	Screw M6x45-8.8	2		
4	7312-0030	Washer 6 -200HV	4		
5	7311-4250	Hexagon Nut M6 -04-A2E	6		
6	5046-3720	Coating Sheet	1		
7	7312-0020	Washer 5-200HV	8		
8	7303-0390	Screw M5x16	8		
9	7312-0010	Washer 4-200HV	4		
10	7777-9990	Stockpiling discontinued	4		
11	6388-2160	Hose DN 5	1		
12	5731-6090	Filter w/Weight	1		
13	6339-1050	Rubber Buffer	4		
14	7777-9990	Stockpiling discontinued	1		



R J Bowers Distributors
 2003 Harrison Ave
 Rockford IL 61104
 E-mail: service@rjbowers.com
 Web: www.rjbowers.com
 (815) 399-8839 (800) 383-6584

PARTS BREAKDOWN FOR K1350G (1.961-686.0)

Location	PN	DESCRIPTION	QTY	SERIAL #	
				FROM	TO
2.1 PUMP SET - Piston					
1	5030-6250	Moulded part	3		
2	5332-2510	Coil Spring	3		
3	5553-2500	Piston	3		
4	5060-3650	Housing Thrust Guidance	1		
5	6365-3400	Oil Seal / Grooved Ring 14x22x5/7	3		
6	5115-4710	Washer	3		
7	6365-3410	Water Seal / U & V Ring	3		
8	7306-1060	Cylinder Head Screw M8x70 -8.8	4		
100	2883-2280	Pump Set	1		

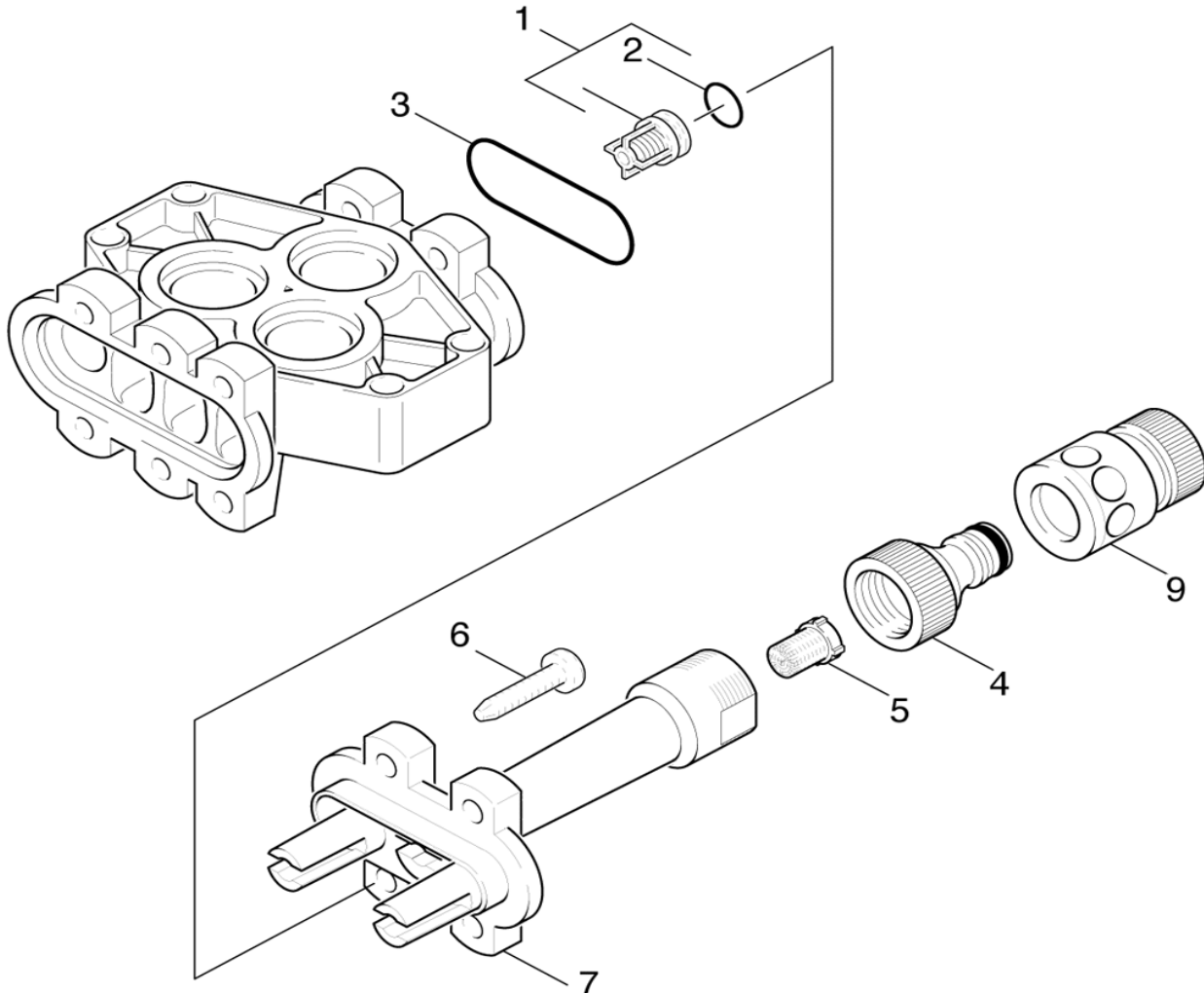


R J Bowers Distributors

2003 Harrison Ave
 Rockford IL 61104
 E-mail: service@rjbowers.com
 Web: www.rjbowers.com
 (815) 399-8839 (800) 383-6584

PARTS BREAKDOWN FOR K1350G (1.961-686.0)

Location	PN	DESCRIPTION	QTY	SERIAL #	
				FROM	TO
2.2 PUMP SET - Suction Side					
1	2884-8740	Valve (3 Pack)	1		
2	6362-7280	Gasket	3		
3	6362-2160	O-Ring seal 40.0x2.0	1		
4	6389-8700	Connection 3/4"	1		
5	6414-2520	Strainer	1		
6	7303-0490	Screw M6x25-ST-A3R	4		
7	5063-4240	Cover	1		
9	9083-0030	Hose coupling	1		
100	2883-2280	Pump Set	1		



R J Bowers Distributors

2003 Harrison Ave
Rockford IL 61104

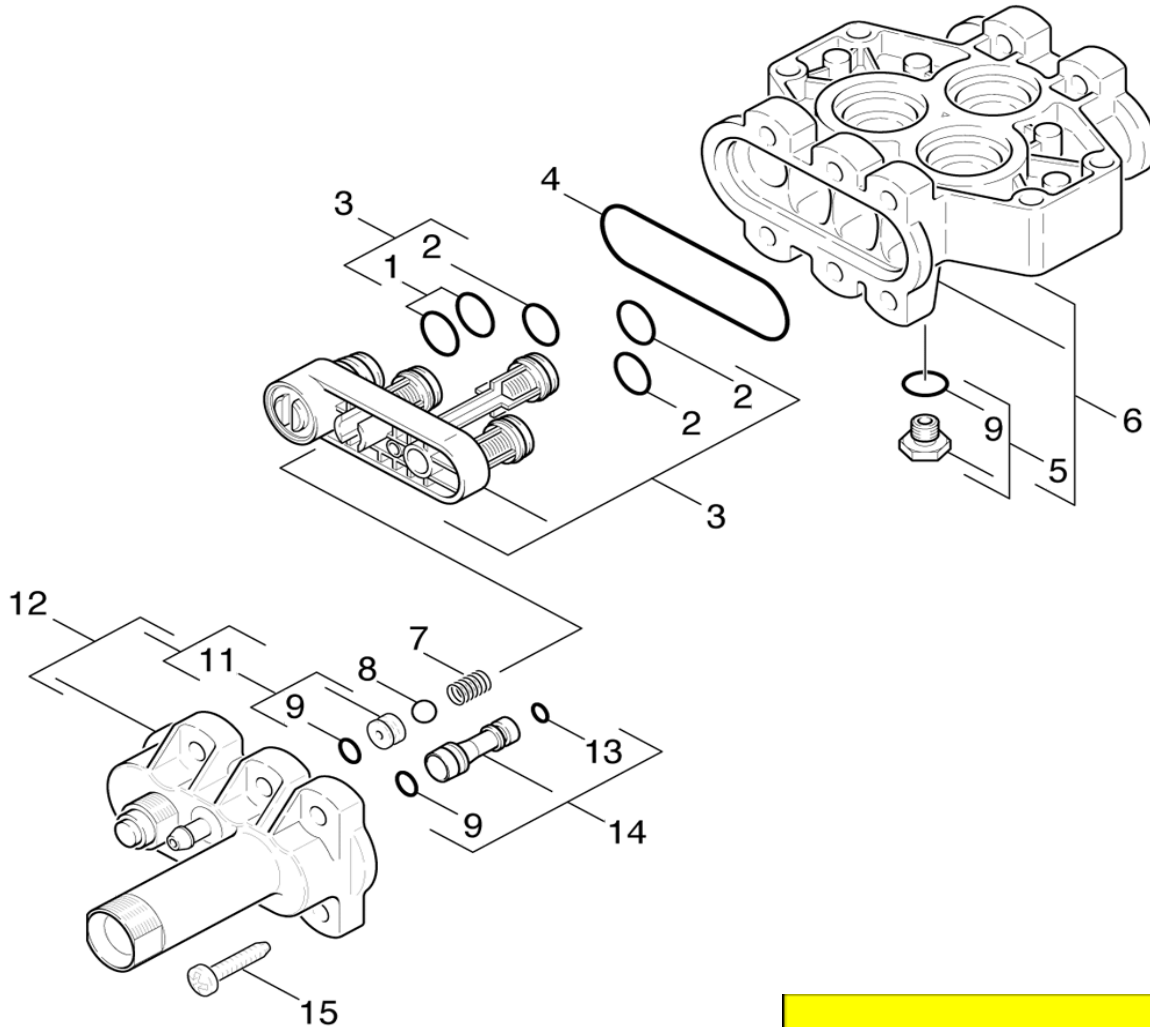
E-mail: service@rjbowers.com

Web: www.rjbowers.com

(815) 399-8839 (800) 383-6584

PARTS BREAKDOWN FOR K1350G (1.961-686.0)

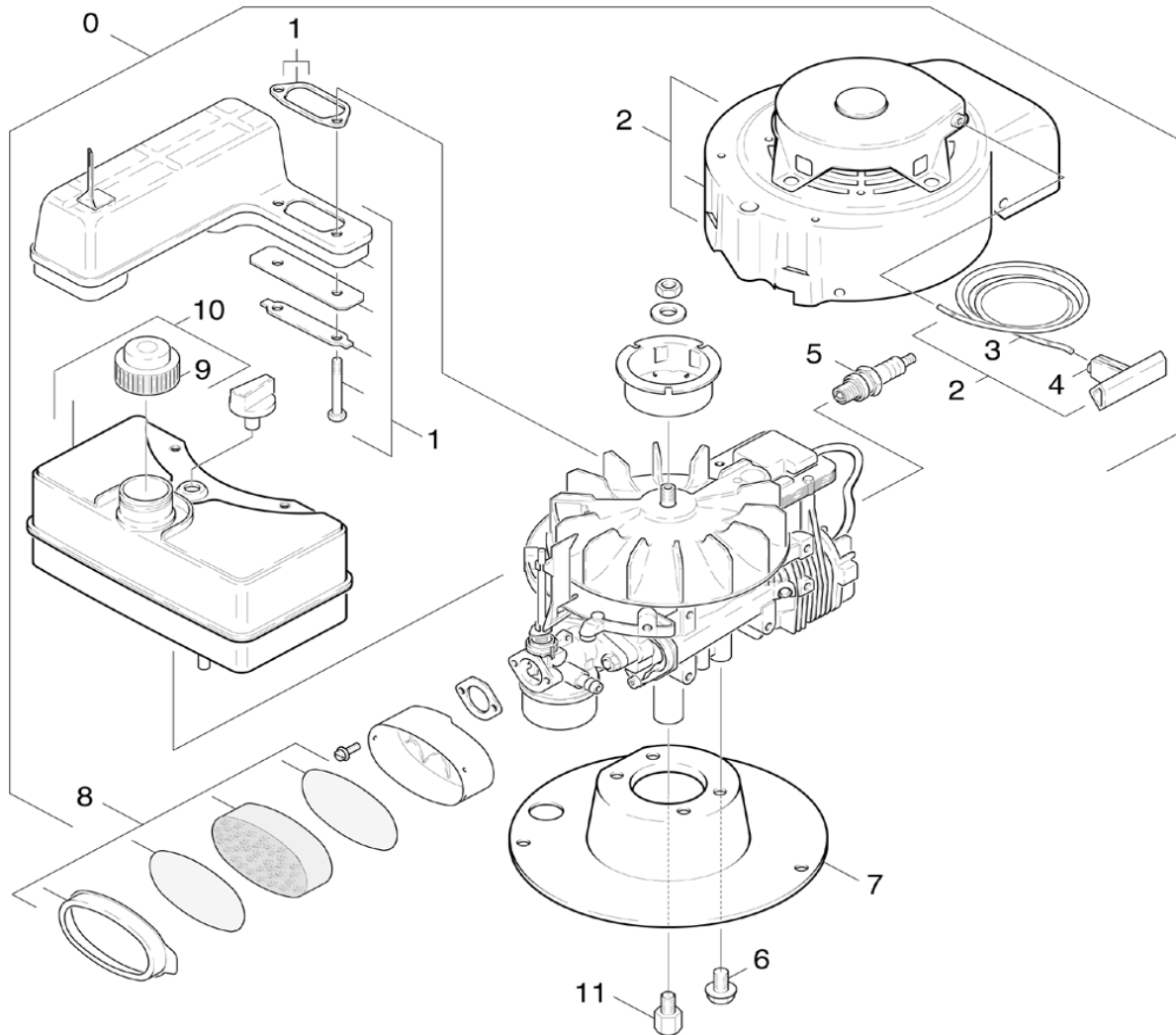
Location	PN	DESCRIPTION	QTY	SERIAL #	
				FROM	TO
2.3 PUMP SET - Physical Page					
1	6363-2730	O-Ring Seal 11.0x2.0	2		
2	6362-0770	O-Ring Seal 10.0x2.2	3		
3	4580-2040	Pressure Valve Complete	1		
4	6362-0950	O-Ring Seal 55.0x3.0	1		
5	4411-0030	Closing Screw	1		
6	4550-2100	Cylinder Head	1		
7	5332-2580	Helical Spring	1		
8	7401-9090	Sphere 7 G40 -1.4401	1		
9	6362-1130	O-Ring Seal 6.0x2.0	3		
11	4581-0170	Valve Seat	1		
12	4063-1680	Pressure Cap Complete	1		
13	6362-4860	O-Ring	1		
14	4769-0230	Nozzle Insert	1		
15	7303-0490	Screw M6x25	6		
100	2883-2280	Pump Set	1		



R J Bowers Distributors
 2003 Harrison Ave
 Rockford IL 61104
 E-mail: service@rjbowers.com
 Web: www.rjbowers.com
 (815) 399-8839 (800) 383-6584

PARTS BREAKDOWN FOR K1350G (1.961-686.0)

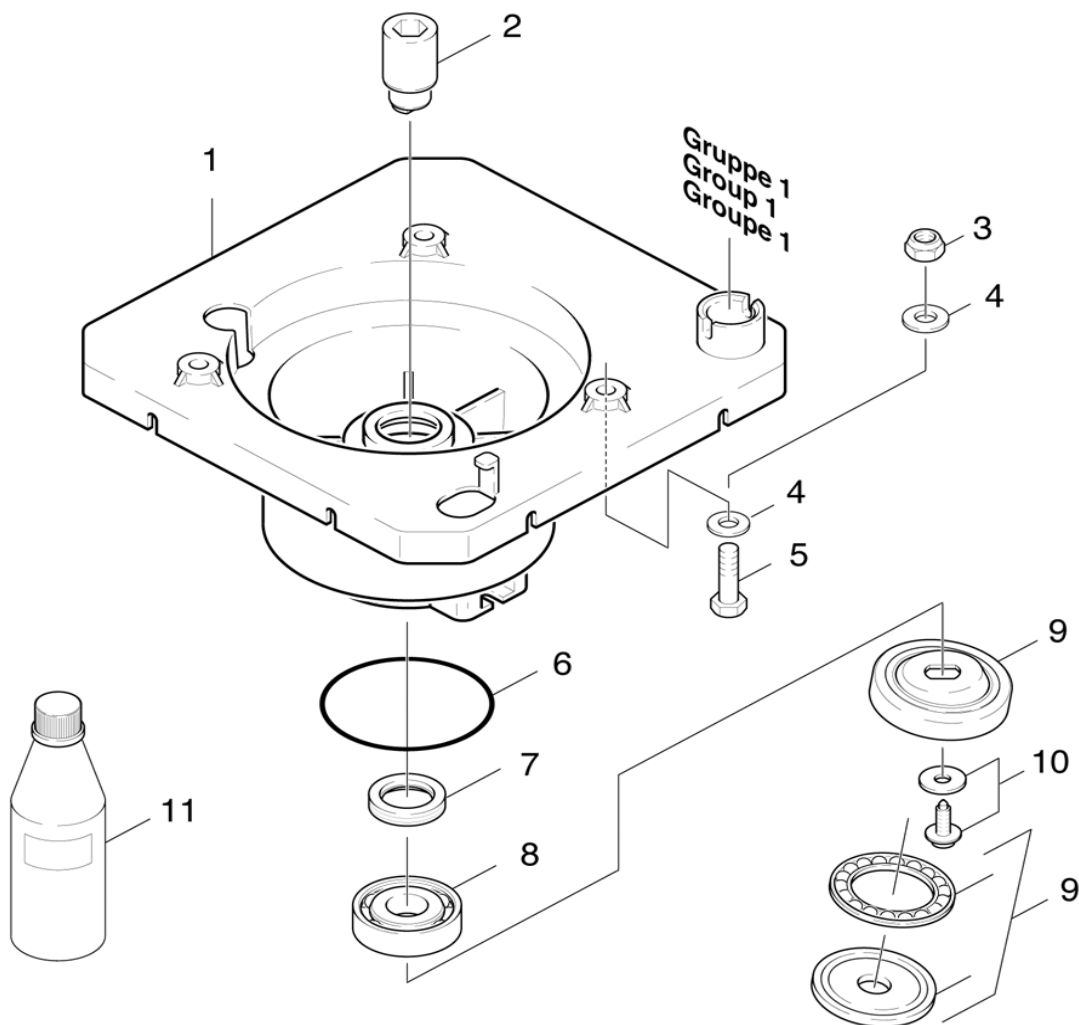
Location	PN	DESCRIPTION	QTY	SERIAL #	
				FROM	TO
3.1 MOTOR					
0	6491-3940	Gasoline Engine	1		
2	7777-9990	Stockpiling discontinued	1		
3	6491-3920	Pull Cord	1		
4	7777-9990	Stockpiling discontinued	1		
5	7777-9990	Stockpiling discontinued	1		
6	7777-9990	Stockpiling discontinued	4		
7	5122-1860	Flange	1		
8	7777-9990	Stockpiling discontinued	1		
9	6491-3880	Cap of a Tank	1		
10	6491-3930	Tank Complete	1		
11	6303-2210	Screw 3/8"-24UNF	1		



R J Bowers Distributors
 2003 Harrison Ave
 Rockford IL 61104
 E-mail: service@rjbowers.com
 Web: www.rjbowers.com
 (815) 399-8839 (800) 383-6584

PARTS BREAKDOWN FOR K1350G (1.961-686.0)

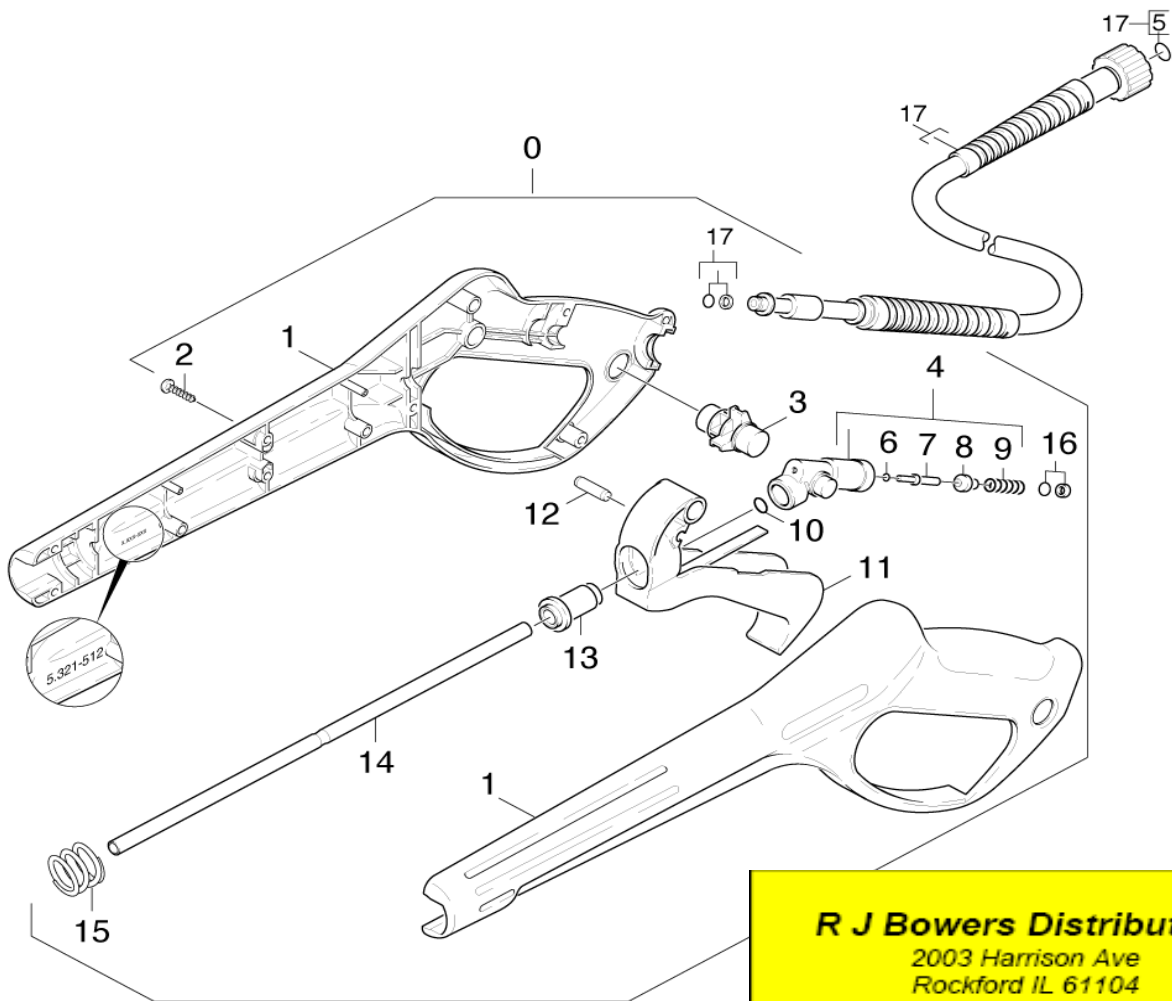
Location	PN	DESCRIPTION	QTY	SERIAL #	
				FROM	TO
3.2 MOTOR - Actuation					
1	5060-4650	Housing	1		
2	5471-0750	Coupling Element	1		
3	7311-4270	Hexagon Nut M8 -04-A2E	3		
4	7312-0040	Washer 8 -200HV-A3E	6		
5	7304-3990	Hexagonal Head Screw M8x25-8.8-A2E	3		
6	6362-4710	O-Ring Seal 80.0x3.0	1		
7	7367-0180	Radial Shaft Seal Ring A26x37x7	1		
8	9087-0100	Ball Bearing	1		
9	6401-1970	Swash Plate	1		
10	6304-0480	Cylinder Head Screw M6x19	1		
11	6288-0500	Engine oil 1L	1		



R J Bowers Distributors
 2003 Harrison Ave
 Rockford IL 61104
 E-mail: service@rjbowers.com
 Web: www.rjbowers.com
 (815) 399-8839 (800) 383-6584

PARTS BREAKDOWN FOR K1350G (1.961-686.0)

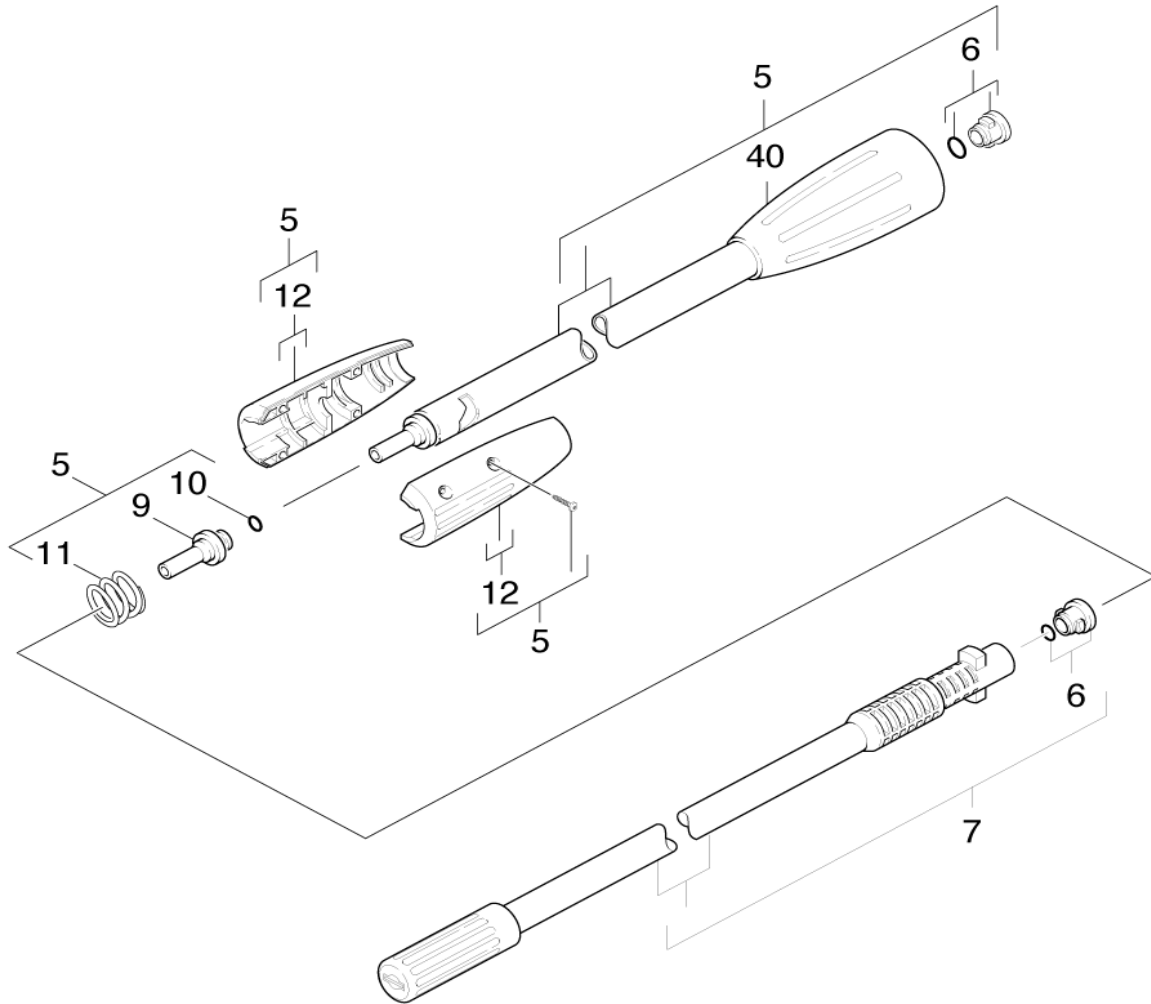
Location	PN	DESCRIPTION	QTY	SERIAL #	
				FROM	TO
4.1 TRIGGER GUN					
0	4775-2640	Trigger Gun	1		
1	5321-5120	Handhold few	1		
2	6303-1220	Screw T15 Torx M4.2x13	9		
3	5481-1890	Lever	1		
4	4427-1780	Manifolds	1		
5	2880-2960	O-Ring 10.0x2.0 5-Pack	1		
6	7362-5020	O-Ring Seal 2.8x1.6	1		
7	5107-1470	Bar	1		
8	5582-0580	Valve Disc	1		
9	5332-1570	Helical Spring	1		
10	6362-4790	O-Ring Seal 7.59x2.62	1		
11	4481-1050	Level	1		
12	5314-0820	Pin	1		
13	5110-5390	Sleeve	1		
14	5028-9050	Pipe	1		
15	5332-3490	Pressure Spring	1		
16	6363-1150	O-Ring Seal Complete	1		
17	6389-5550	High Pressure Hose	1		



R J Bowers Distributors
 2003 Harrison Ave
 Rockford IL 61104
 E-mail: service@rjbowers.com
 Web: www.rjbowers.com
 (815) 399-8839 (800) 383-6584

PARTS BREAKDOWN FOR K1350G (1.961-686.0)

Location	PN	DESCRIPTION	QTY	SERIAL #	
				FROM	TO
4.2 SPRAY WAND					
5	9011-0990	Bayonet Extension	1		
6	2640-7290	O-Ring Seal Set	2		
7	4760-2410	Bayonet Spray Wand	1		
9	5031-0680	Joining Pipe	1		
10	6362-6900	O-Ring Seal 7.0x2.0	1		
12	9036-1010	Handhold Few Complete	1		
40	9036-4380	Union Nut	1		



R J Bowers Distributors
 2003 Harrison Ave
 Rockford IL 61104
 E-mail: service@rjbowers.com
 Web: www.rjbowers.com
 (815) 399-8839 (800) 383-6584