

# PARTS BREAKDOWN FOR HD850WS (1.754-121.0)

Location	PN	DESCRIPTION	QTY	SERIAL #	
				FROM	TO
<b>1.0 PIECE PARTS - parts listing</b>					
1	5311-0710	Nut	1		
2	5443-2820	Hose Stem	1		
3	6362-3950	O-Ring Seal 14.0x1.78	1		
4	6414-2820	Strainer	1		
5	6313-0030	Spring	2		
6	5321-1980	Handhold	1		
7	5066-2120	Cover	1		
8	5363-1350	Joint Ring	1		
9	5321-0970	Handhold	1		
10	5132-0100	Plug	1		
11	5052-0170	Support Right	1		
12	5042-3940	Holder	1		
<b>13</b>		<b>Stockpiling discontinued</b>	<b>1</b>		
14	7303-0780	Sheet Metal Screw ST4.8x19	4		
15	5052-0160	Support Left	1		
17	6321-0540	Star Handle M8x16	2		
18	5110-3320	Sleeve	2		
19	7306-0420	Cylinder Head Screw M8x25-8.8	2		
20	6641-7970	Cable Gland PG13.5	1		
21	6641-5370	Cable with Plug	1		
23	5392-0130	Cap	2		
24	6343-1610	Lock Washer	2		
25	5515-0080	Wheel	2		
26	7312-0180	Washer 20	2		
27	5105-0760	Axle	1		
28	7306-0430	Cylinder Head Screw M8x30-8.8	1		
29	7312-1590	Toothed Lock Washer A8.4	1		
30	7309-0150	Screw Assembly M8x16-8.8	3		
<b>31</b>		<b>Stockpiling discontinued</b>	<b>1</b>		

**R J Bowers Distributors**

2003 Harrison Ave  
Rockford IL 61104

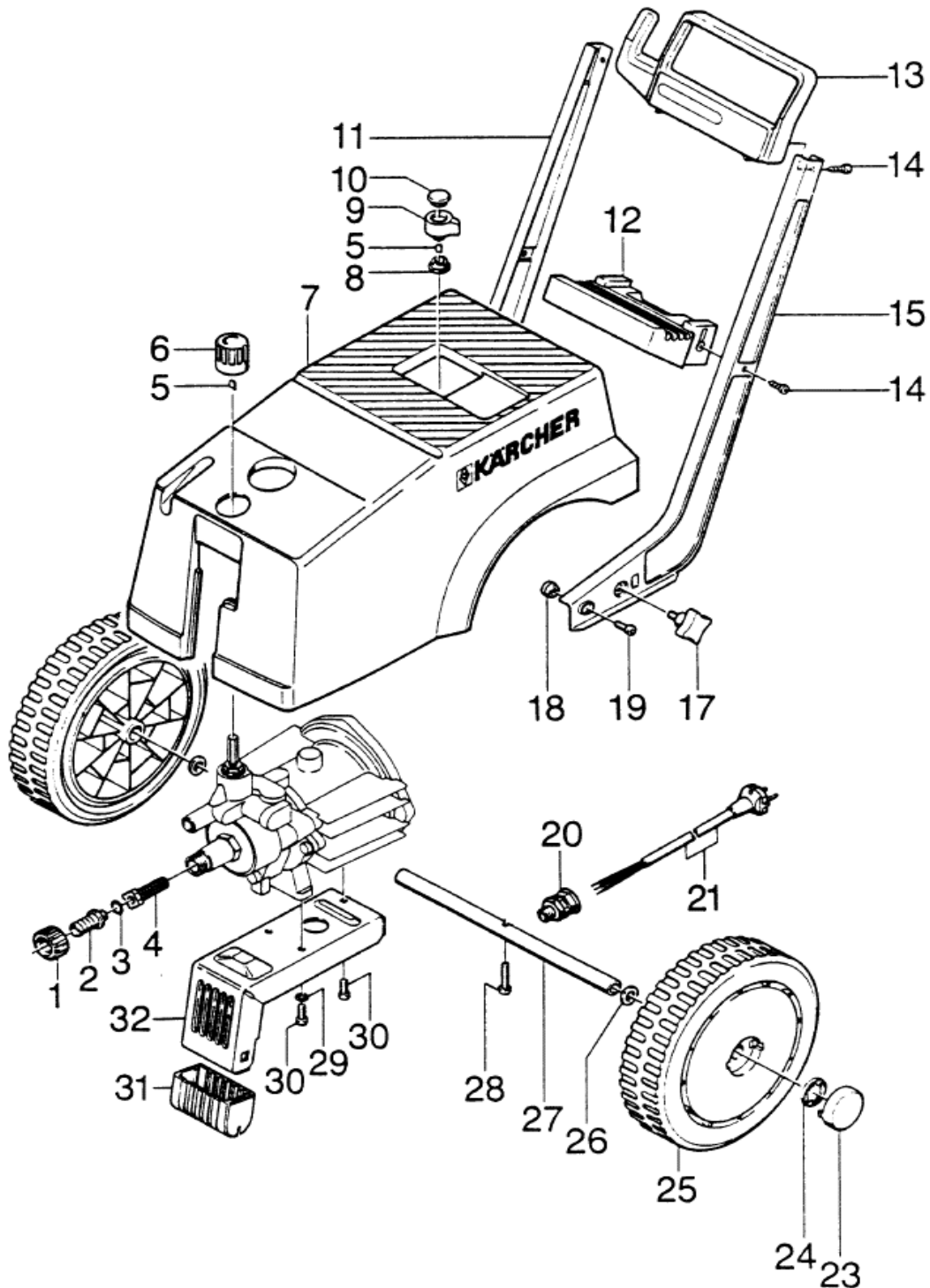
E-mail: [service@rjbowers.com](mailto:service@rjbowers.com)

Web: [www.rjbowers.com](http://www.rjbowers.com)

(815) 399-8839 (800) 383-6584

# PARTS BREAKDOWN FOR HD850WS (1.754-121.0)

Location	PN	DESCRIPTION	QTY	SERIAL #	
				FROM	TO
1.0 PIECE PARTS - diagram					



**R J Bowers Distributors**  
 2003 Harrison Ave  
 Rockford IL 61104  
 E-mail: [service@rjbowers.com](mailto:service@rjbowers.com)  
 Web: [www.rjbowers.com](http://www.rjbowers.com)  
 (815) 399-8839 (800) 383-6584

# PARTS BREAKDOWN FOR HD850WS (1.754-121.0)

Location	PN	DESCRIPTION	QTY	SERIAL #	
				FROM	TO
<b>2.0 PUMP SET - parts listing</b>					
1	5304-0510	Hexagonal Head Screw	1		
2*	6362-4680	O-Ring Seal Complete	1		
3	5411-0570	Screw Plug	1		
4*	6362-4120	O-Ring Seal 22.0x1.5	1		
6*	7311-2180	Hexagon Nut M6	1		
7	7311-0370	Hexagon Nut M5	1		
8*	6362-6100	O-Ring Seal Complete (Set of 3 - Unloader)	1		
9	5553-2170	Piston (Unloader)	1		
10	5332-2290	Spring (Unloader)	1		
11*	6362-4800	O-Ring Seal 12.42x1.78 (Unloader)	1		
12	5581-0780	Valve Seat (Unloader)	1		
13	5584-0510	Pin (Unloader)	1		
14	5583-0900	Valve Screw	3		
15*	6362-1530	O-Ring Seal 15.3x2.4	3		
16*	2884-9110	Valve (3 Pack)	2		
17	6362-4810	O-Ring Seal 14.0x2.0	6		
18	5332-1500	Piston Spring	3		
19	5115-2890	Washer	3		
20	6472-3310	Snap Ring 20	3		
21		<b>Piston Complete Stockpiling discontinued</b>	<b>3</b>		
22*	6362-4480	O-Ring Seal 100.0x1.78	1		
23	5060-2610	Housing	1		
24	7306-0420	Cylinder Head Screw M8x25-8.8	5		
25	6421-1250	Pressure Gauge	1		
26*	6365-0520	Oil Seal / Grooved Ring 20x28x6/8	3		
27	5115-2550	Washer - Brass	3		
28*	6365-0530	Compact Seal 20x30x6	3		
29	5112-1810	Bushing	3		
30*	5115-2240	Washer - Teflon	3		
31*	6365-3300	Water Seal / Grooved Ring	3		
32*	6362-4840	O-Ring Seal 34.65x1.78	3		
33	7401-9080	Sphere 7 G300 -1.4301	2		
34	5582-0780	Valve Head	1		
35	5332-2030	Helical Spring	1		
36*	6362-1690	O-Ring Seal 12.0x2.0	1		
37	5583-0890	Valve Screw	1		
38	5731-6090	Chemical Filter with Weight	1		
39	6388-2160	Hose DN 5	2		
40	5443-2810	Nipple	1		
41*	6362-1510	O-Ring Seal 10.0x2.0	1		
42	5402-3620	Screw Socket	1		
43*	6362-5330	O-Ring Seal 14.0x1.5	1		
44	6362-3830	O-Ring Seal 6.0x2.0	1		
45	5026-7640	Tube	1		
47	5332-1240	Helical Spring	1		

## **R J Bowers Distributors**

2003 Harrison Ave  
Rockford IL 61104

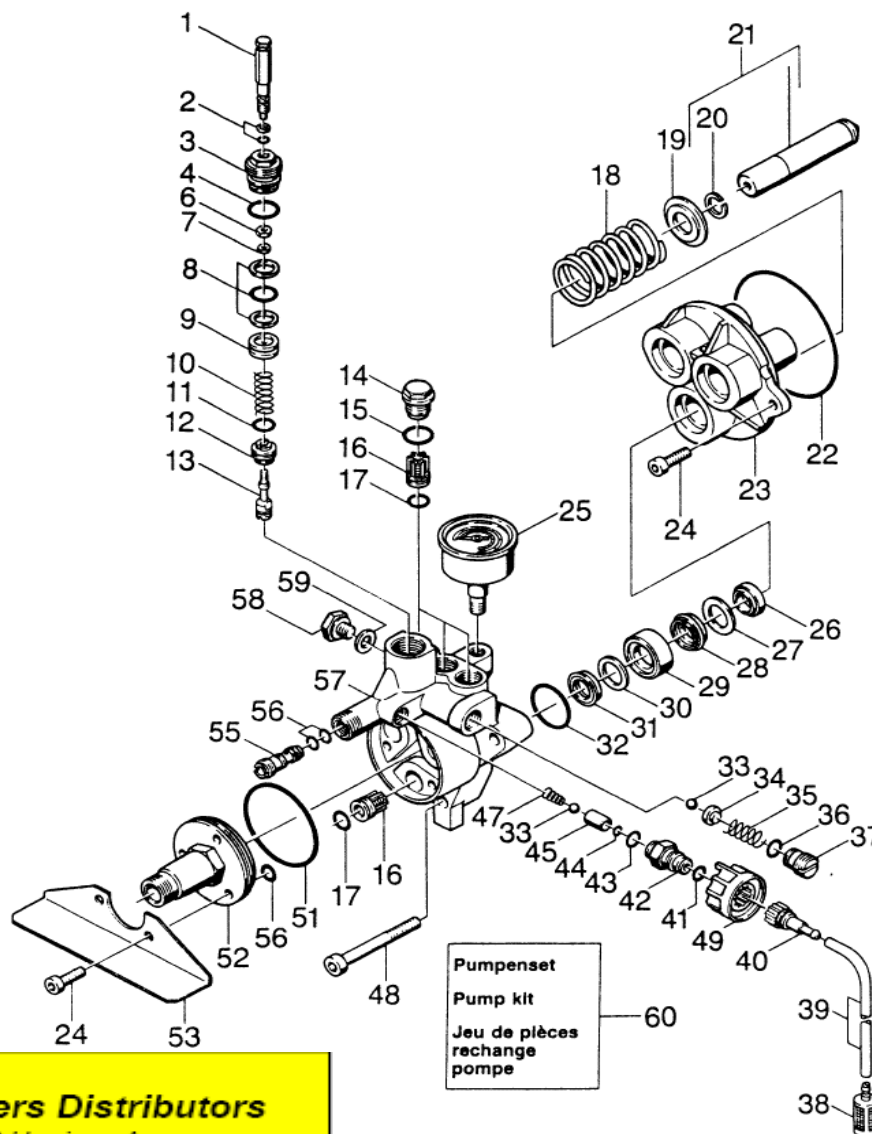
E-mail: [service@rjbowers.com](mailto:service@rjbowers.com)

Web: [www.rjbowers.com](http://www.rjbowers.com)

(815) 399-8839 (800) 383-6584

# PARTS BREAKDOWN FOR HD850WS (1.754-121.0)

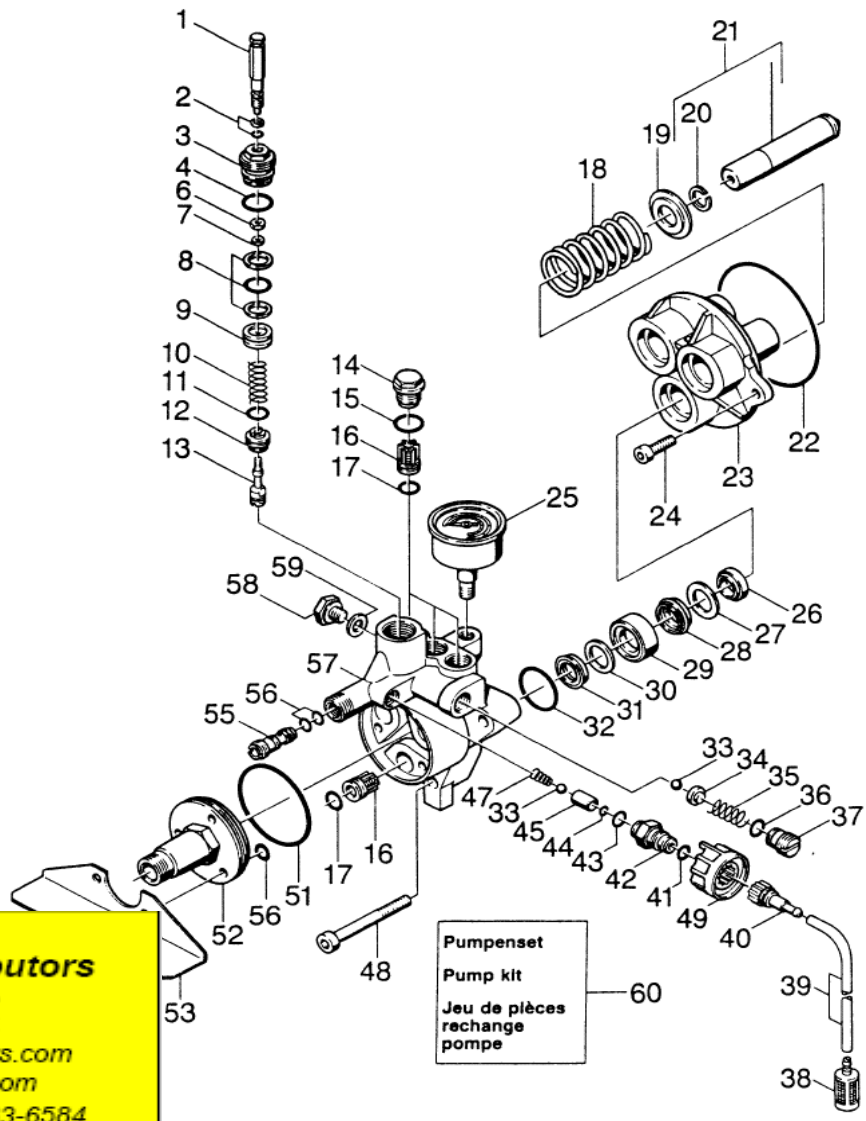
Location	PN	DESCRIPTION	QTY	SERIAL #	
				FROM	TO
<b>2.0 PUMP SET - parts listing continued</b>					
48	7306-1220	Cylinder Head Screw M12x80-8.8	3		
49	5321-1990	Handhold	1		
51*	6362-5010	O-Ring Seal 68.0x2.0	1		
52	5063-2970	Cover Housing	1		
<b>53</b>		<b>Stockpiling discontinued</b>	<b>1</b>		
55	5769-0790	Nozzle Insert D1.8/ D2.7/ L38	1		
56*	6362-3840	O-Ring Seal 9.0x1.5	5		
57	4550-0980	Cylinder Head Complete	1		
58	7382-2320	Screw Plug M12x1.5	1		
59	7362-0040	Joint ring A12x15.5	1		
60*	2880-4690	Pump Set HD850/WS (Rebuild Kit)	1		



**R J Bowers Distributors**  
 2003 Harrison Ave  
 Rockford IL 61104  
 E-mail: [service@rjbowers.com](mailto:service@rjbowers.com)  
 Web: [www.rjbowers.com](http://www.rjbowers.com)  
 (815) 399-8839 (800) 383-6584

# PARTS BREAKDOWN FOR HD850WS (1.754-121.0)

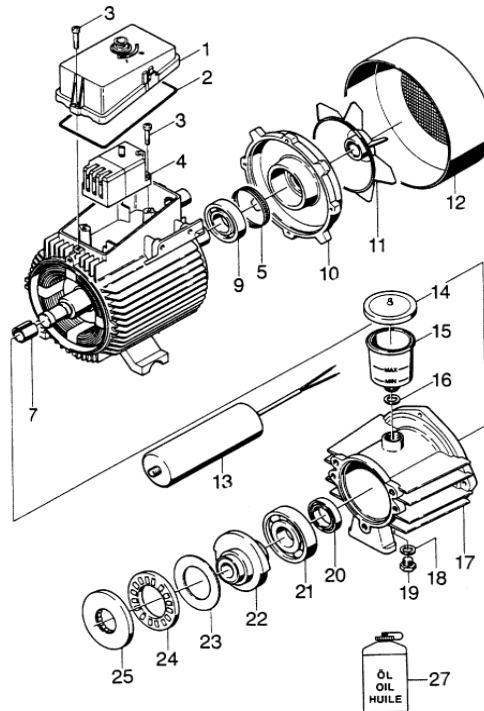
Location	PN	DESCRIPTION	QTY	SERIAL #	
				FROM	TO
<b>REBUILD KIT 2.880-469.0</b>					
2	6362-4680	O-Ring Seal Complete	1		
4	6362-4120	O-Ring Seal 22.0x1.5	1		
6	7311-2180	Hexagon Nut M6	1		
8	6362-6100	O-Ring Seal Complete (Set of 3 - Unloader)	1		
11	6362-4800	O-Ring Seal 12.42x1.78 (Unloader)	1		
15	6362-1530	O-Ring Seal 15.3x2.4	3		
16	2884-9110	Valve (3 Pack)	2		
22	6362-4480	O-Ring Seal 100.0x1.78	1		
26	6365-0520	Oil Seal / Grooved Ring 20x28x6/8	3		
28	6365-0530	Compact Seal 20x30x6	3		
30	5115-2240	Washer - Teflon	3		
31	6365-3300	Water Seal / Grooved Ring	3		
32	6362-4840	O-Ring Seal 34.65x1.78	3		
36	6362-1690	O-Ring Seal 12.0x2.0	1		
41	6362-1510	O-Ring Seal 10.0x2.0	1		
43	6362-5330	O-Ring Seal 14.0x1.5	1		
51	6362-5010	O-Ring Seal 68.0x2.0	1		
56	6362-3840	O-Ring Seal 9.0x1.5	5		



**R J Bowers Distributors**  
 2003 Harrison Ave  
 Rockford IL 61104  
 E-mail: [service@rjbowers.com](mailto:service@rjbowers.com)  
 Web: [www.rjbowers.com](http://www.rjbowers.com)  
 (815) 399-8839 (800) 383-6584

# PARTS BREAKDOWN FOR HD850WS (1.754-121.0)

Location	PN	DESCRIPTION	QTY	SERIAL #	
				FROM	TO
<b>3.0 MOTOR</b>					
0	6612-1840	Electric Motor 2.0 KW	1		
1	5066-2100	Cover	1		
2	6273-0700	Seal String Cellular Rubber 4	1		
3	7309-0160	Screw M4x22-Z7	4		
4	6631-1900	Motor Protecting Switch	1		
5	6343-0230	Tolerance Ring	1		
7	6343-0190	Tolerance Ring	1		
9	7401-1310	Ball Bearing 6205-2Z	1		
<b>10</b>		<b>Stockpiling discontinued</b>	<b>1</b>		
11	6612-1120	Fan Impeller HD820S, HD850WS	1		
12	6612-1130	Ventilator Cowl	1		
<b>13</b>		<b>Stockpiling discontinued</b>	<b>1</b>		
14	5063-2490	Cover	1		
15	5070-0480	Box	1		
16	5363-1000	Joint Ring	1		
17	5060-2710	Housing	1		
18	7362-0050	Joint ring A14x18	1		
19	7382-2330	Screw Plug M14x1.5	1		
20	7367-0090	Radial Shaft Seal Ring A35x52x7	1		
21	7401-0350	Ball Bearing 7307B-TN	1		
<b>22</b>		<b>Stockpiling discontinued</b>	<b>1</b>		
23	6401-1220	Rotor Disc	1		
24	6401-1230	Axial Roller Cage	1		
25	6401-1240	Pressure Disc with Cage	1		
27	6288-0500	Engine oil 1L 15w-40	1		



## R J Bowers Distributors

2003 Harrison Ave  
Rockford IL 61104

E-mail: [service@rjbowers.com](mailto:service@rjbowers.com)

Web: [www.rjbowers.com](http://www.rjbowers.com)

(815) 399-8839 (800) 383-6584



# PARTS BREAKDOWN FOR HD850WS (1.754-121.0)

Location	PN	DESCRIPTION	QTY	SERIAL #	
				FROM	TO
<b>4.1 ACCESSORIES - Trigger Gun - parts listing</b>					
0	4775-0800	Trigger Gun Replacement	1		
1	7303-0960	Screw 4x22	6		
2	5321-2060	Handhold Few	1		
3	5427-1150	Manifold	1		
4	6362-5710	O-Ring Seal Complete	1		
5	5107-2590	Bar	1		
6	5582-0580	Valve Disc	1		
7	5332-1570	Helical Spring	1		
8	6362-4800	O-Ring Seal 12,42x1.78	1		
9	5411-0670	Screw Plug	1		
10	5481-0520	Lever	1		
11	6362-4960	O-Ring Seal 17.12x2.62	1		
12	7307-4170	Threaded Pin M8x16-45H	1		
13	4481-0500	Lever	1		
14	6363-1150	O-Ring Seal Complete	1		
15	6389-8530	High Pressure Hose DN6	1		
16	2880-9900	O-Ring Seal 10.0x2.0 (5-Pack)	1		
<b>17</b>		<b>Stockpiling discontinued</b>	<b>1</b>		
18	5321-1500	Handle (Part # = one half)	2		
19	6303-0250	Oval Head Screw 4.2x16	2		
20	6362-5290	Joint Ring 12.0x1.5	1		
21	7401-9210	Sphere 4 G20 -1.4034	12		
22	6362-5240	O-Ring Seal 17.0x1.5	1		
23	6362-5320	Grooved Ring Complete	1		
24	4402-0390	Screw Union	1		
25	5115-4100	Washer	1		12349
25	6362-4690	O-Ring Seal 21.95x1.78	1	12350	
26	7401-9100	Sphere 3/8 G80-1.4034	2		
<b>27</b>		<b>Stockpiling discontinued</b>	<b>1</b>		
<b>28</b>		<b>Stockpiling discontinued</b>	<b>1</b>		
<b>29</b>		<b>Stockpiling discontinued</b>	<b>1</b>		
30	6362-5780	O-Ring Seal 6.0x1.0	3		
31	5734-0680	Strainer	1	12350	
32	5394-2130	Protection Part	1		
33	4764-0750	Nozzle Holder 070	1		
34	2880-4970	Spare Part Set HD850WS	1		

## **R J Bowers Distributors**

2003 Harrison Ave  
Rockford IL 61104

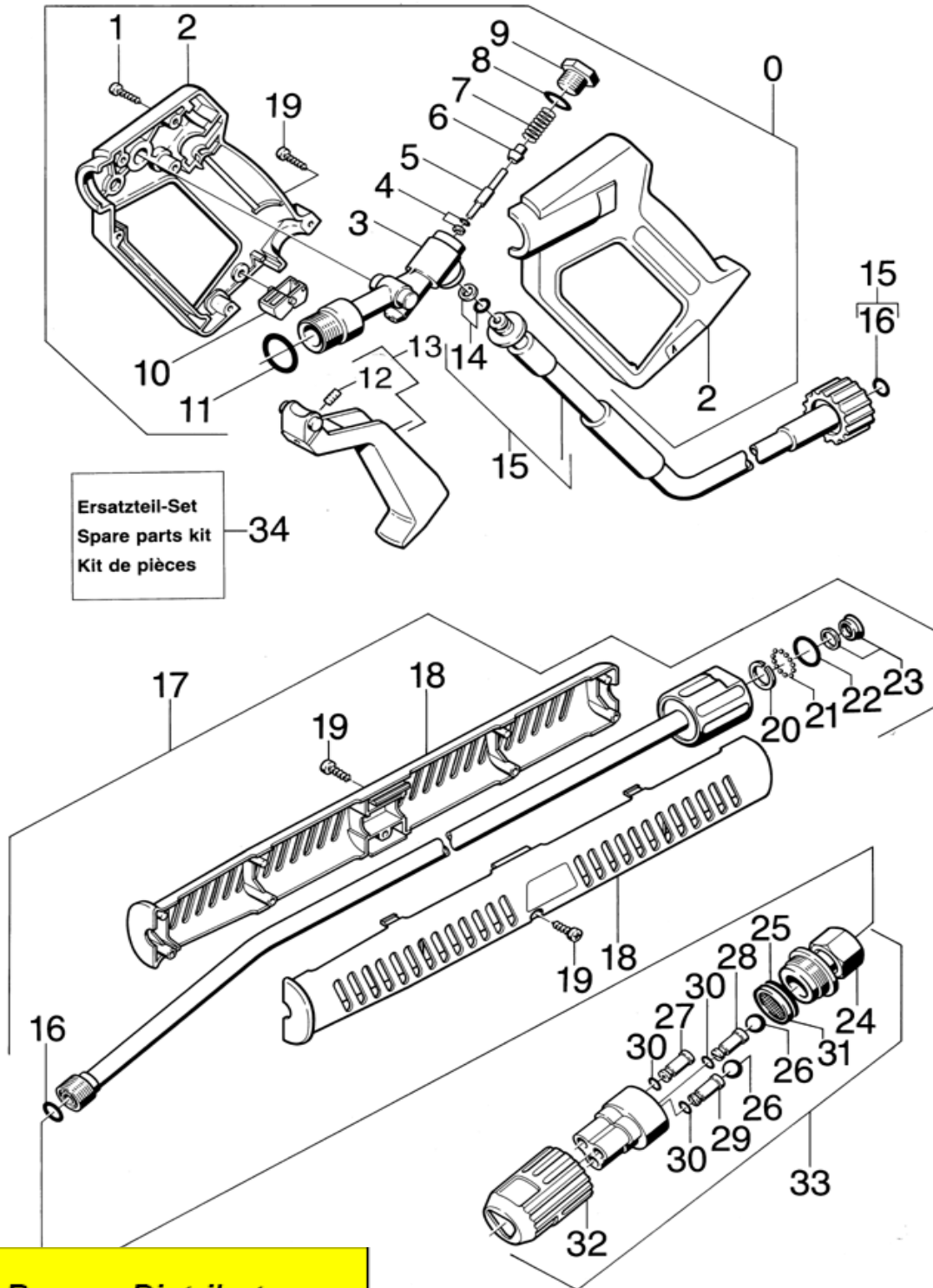
E-mail: [service@rjbowers.com](mailto:service@rjbowers.com)

Web: [www.rjbowers.com](http://www.rjbowers.com)

(815) 399-8839 (800) 383-6584

# PARTS BREAKDOWN FOR HD850WS (1.754-121.0)

Location	PN	DESCRIPTION	QTY	SERIAL #	
				FROM	TO
<b>4.1 ACCESSORIES - Trigger Gun - diagram</b>					



**R J Bowers Distributors**  
 2003 Harrison Ave  
 Rockford IL 61104  
 E-mail: [service@rjbowers.com](mailto:service@rjbowers.com)  
 Web: [www.rjbowers.com](http://www.rjbowers.com)  
 (815) 399-8839 (800) 383-6584



# PARTS BREAKDOWN FOR HD850WS (1.754-121.0)

Location	PN	DESCRIPTION	QTY	SERIAL #	
				FROM	TO
<b>4.2 ACCESSORIES - Trigger Gun - parts listing</b>					
0	4775-0800	Trigger Gun Replacement	1		
1	7303-0960	Screw 4x22	6		
2	5321-2060	Handhold Few	1		
3	5427-1150	Manifold	1		
4	6362-5710	O-Ring Seal Complete	1		
5	5107-2590	Bar	1		
6	5582-0580	Valve Disc	1		
7	5332-1570	Helical Spring	1		
8	6362-4800	O-Ring Seal 12.42x1.78	1		
9	5411-0670	Screw Plug	1		
10	5481-0520	Lever	1		
11	6362-4960	O-Ring Seal 17.12x2.62	1		
12	7307-4170	Threaded Pin M8x16-45	1		
13	4481-0500	Lever	1		
14	6363-1150	O-Ring Seal Complete	1		
15	6389-8530	High Pressure Hose DN6	1		
16	2880-9900	O-Ring Seal 10.0x2.0 (5-Pack)	1		
<b>17</b>		<b>Stockpiling discontinued</b>	<b>1</b>		
18	5321-1500	Handle (Part # = one half)	2		
19	6303-0250	Oval Head Screw 4.2x16	2		
20	6362-5290	Joint Ring 12.0x1.5	1		
21	7401-9210	Sphere 4 G20 -1.4034	12		
22	6362-5240	O-Ring Seal 17.0x1.5	1		
23	6362-5320	Grooved Ring Complete	1		
24	7343-1510	Locking Ring 28.0x1.2	1		
25	4401-0490	Screw Connector Part	1		
26	2884-0140	Spare Part Set	1		
27	6362-5800	O-Ring Seal 17.0x2.0	1		
28	7401-9290	Sphere 6.35 G20 -1.4034	2		
29	6415-5350	Flat Jet Nozzle -4025	1		
30	6415-5510	Solid Spray Nozzle 0007	1		
<b>31</b>		<b>Stockpiling discontinued</b>	<b>1</b>		
32	6362-6610	O-Ring Seal 5.0x1.0	3		
33	5394-2590	Protection Part	1		
34	2883-1050	Spare Parts Set	1		
35	4767-0680	Triple Jet Nozzle 080	1		

## **R J Bowers Distributors**

2003 Harrison Ave  
Rockford IL 61104

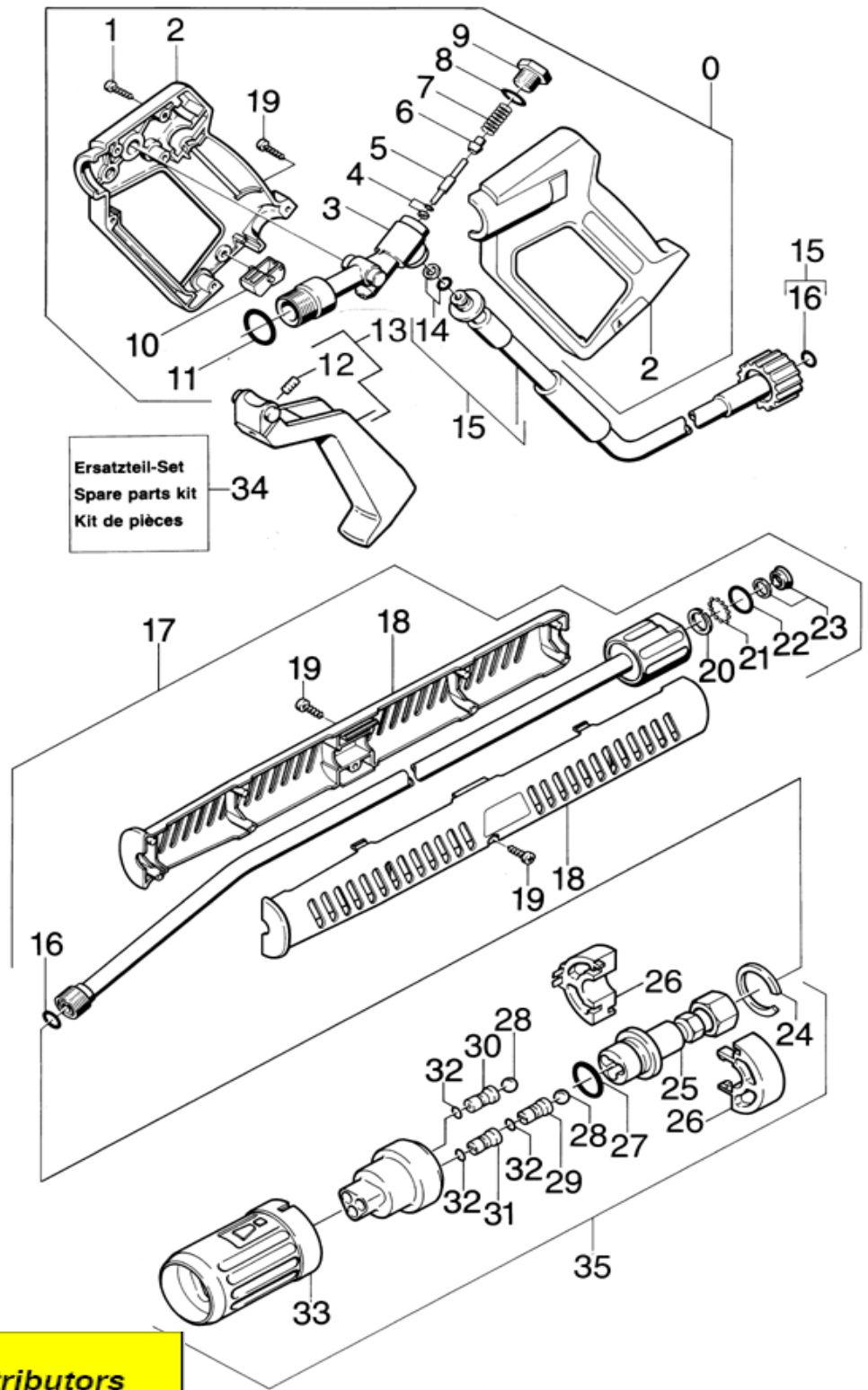
E-mail: [service@rjbowers.com](mailto:service@rjbowers.com)

Web: [www.rjbowers.com](http://www.rjbowers.com)

(815) 399-8839 (800) 383-6584

# PARTS BREAKDOWN FOR HD850WS (1.754-121.0)

Location	PN	DESCRIPTION	QTY	SERIAL #	
				FROM	TO
<b>4.2 ACCESSORIES - Triacker Gun - diagram</b>					



**R J Bowers Distributors**  
 2003 Harrison Ave  
 Rockford IL 61104  
 E-mail: [service@rjbowers.com](mailto:service@rjbowers.com)  
 Web: [www.rjbowers.com](http://www.rjbowers.com)  
 (815) 399-8839 (800) 383-6584