

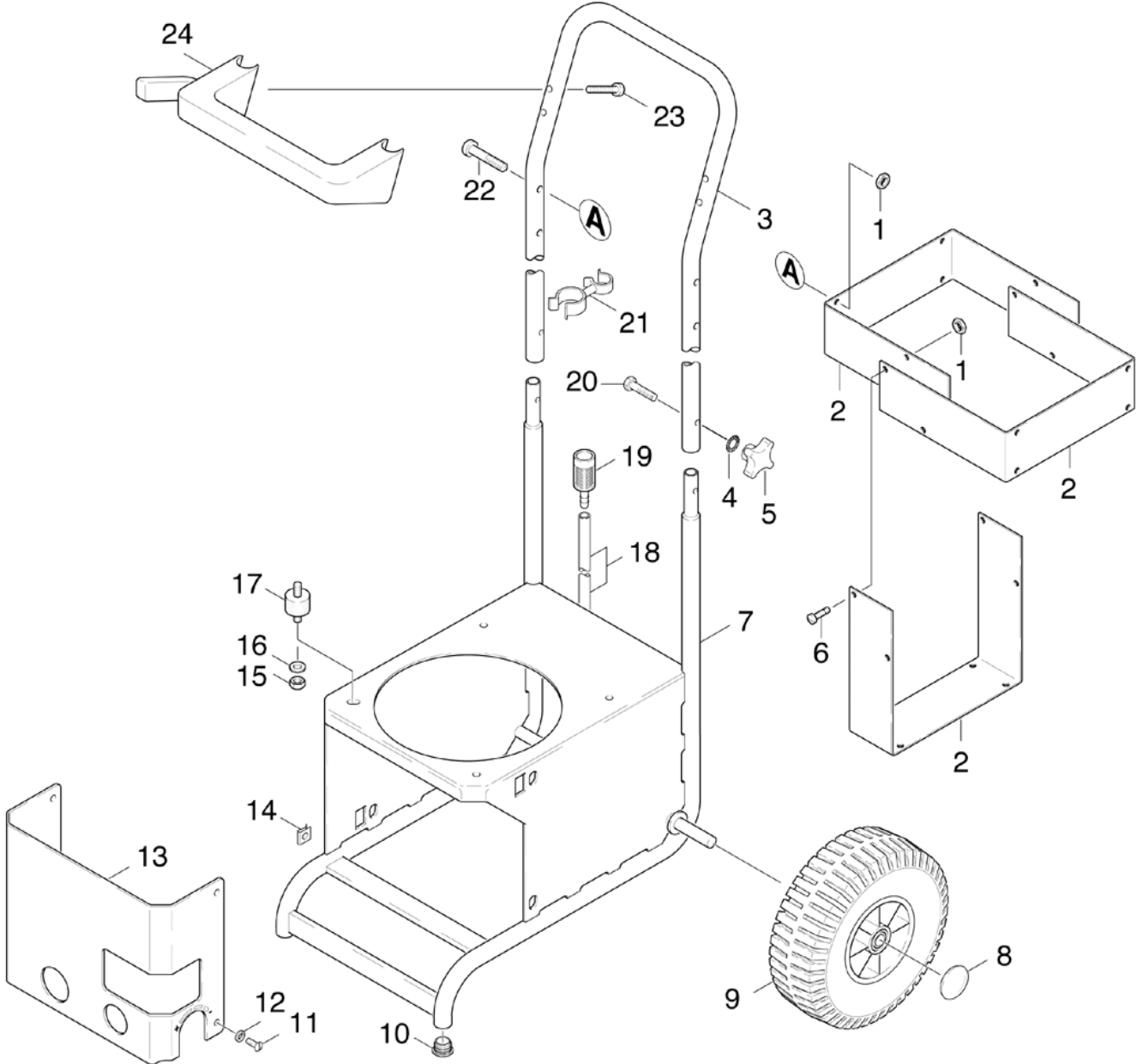
Spare parts list
(5.955-639.0) Spare parts list HD 800 B

Table of contents

Spare parts list HD 800 B (5.955-639.0)	6
10 Individual parts (0.101-886.0).....	7
20 Pump set (0.106-815.0).....	9
21 Piston (0.108-288.0).....	10
100 Spare part set pump set KAER. (2.883-201.0).....	12
22 Chemistry (0.106-724.0).....	13
10 Spare part set aspiration chemistry (2.883-291.0).....	15
23 Valves (0.106-817.0).....	16
100 Spare part set pump set KAER. (2.883-201.0).....	18
30 Motor (0.111-771.0).....	19
31 Motor (0.111-772.0).....	20
32 Transmission (0.111-773.0).....	22
40 Accessories (0.146-714.0).....	24
41 Hand trigger gun (0.147-384.0).....	25
18 Spare part set O-Ring seal 5x (2.880-296.0).....	27
42 Hand trigger gun (0.103-345.0).....	28
13 Spare part set O-Ring seal 5x (2.880-296.0).....	30
43 Jet pipe (0.146-718.0).....	31
1 Spare part set O-Ring seal 5x (2.880-296.0).....	33
44 Nozzle (0.146-580.0).....	34
45 Nozzle (0.103-715.0).....	36

Spare parts list HD 800 B (5.955-639.0)

Pos	Material #	Name	from ser.nr.	up to ser.nr.
10	0.101-886.0	Individual parts	0000000000	0000000000
20	0.106-815.0	Pump set	0000000000	0000000000
30	0.111-771.0	Motor	0000000000	0000000000
40	0.146-714.0	Accessories	0000000000	0000000000

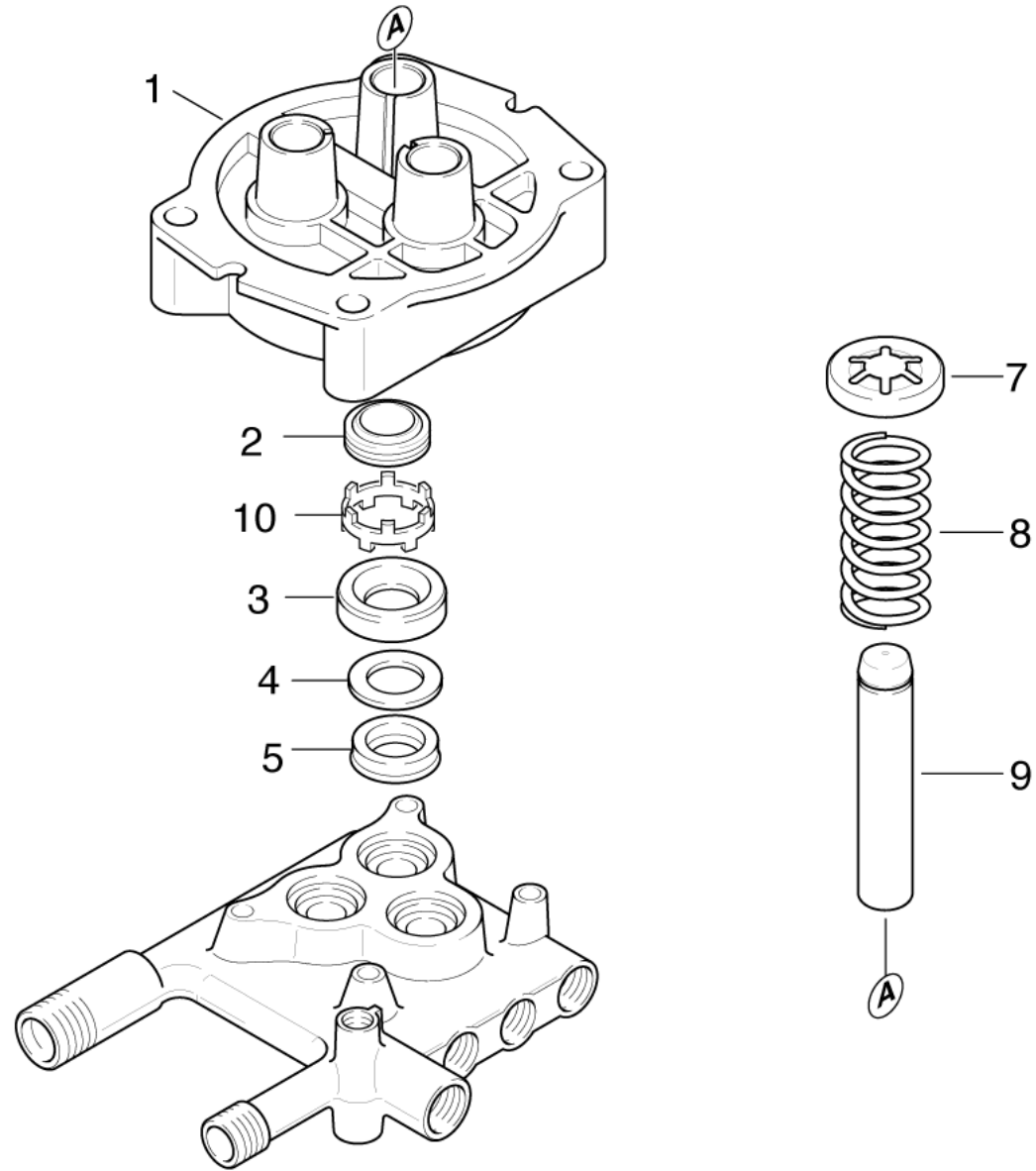


10 Individual parts (0.101-886.0)

ET/VT (spare/wear parts)	Pos	Material #	Name	Qty.	Unit	from ser.nr.	up to ser.nr.	Footnote text
	1	6.311-011.0	Hexagon nut 8-32	8.000	ST	0000000000	0000000000	
	2	7.777-999.0	Stockpiling discontinued	3.000	ST	0000000000	0000000000	
	3	5.321-432.0	Handhold	1.000	ST	0000000000	0000000000	
	4	7.312-232.0	Serrated lock washer A6,4-FSt-A3E DIN 6	2.000	ST	0000000000	0000000000	
	5	6.310-023.0	Star handle M 6	2.000	ST	0000000000	0000000000	
	6	7.777-999.0	Stockpiling discontinued	4.000	ST	0000000000	0000000000	
	7	4.210-092.0	Frame	1.000	ST	0000000000	0000000000	
	8	6.343-188.0	Quick-fastener	2.000	ST	0000000000	0000000000	
	9	6.435-251.0	Wheel D.200 (8")	2.000	ST	0000000000	0000000000	
	10	6.368-173.0	Drain plug	2.000	ST	0000000000	0000000000	
X	11	7.306-443.0	Cylinder head screw M5x12-4.8-A2E ISO 1	4.000	ST	0000000000	0000000000	
X-X	12	7.312-002.0	Washer 5-200HV-A3E ISO 7090	4.000	ST	0000000000	0000000000	
	13	7.777-999.0	Stockpiling discontinued	1.000	ST	0000000000	0000000000	
	14	6.310-051.0	Putting nut M 5	4.000	ST	0000000000	0000000000	
X-X	15	7.311-425.0	Hexagon nut M6 -04-A2E ISO 10511	4.000	ST	0000000000	0000000000	
X-X	16	7.312-003.0	Washer 6 -200HV-A3E ISO 7090	4.000	ST	0000000000	0000000000	
X	17	6.339-121.0	Rubber buffer	4.000	ST	0000000000	0000000000	
	18	6.388-216.0	Hose DN 5	1.000	M	0000000000	0000000000	TO ORDER AS CUT GOODS
X	19	5.731-652.0	Filter with weight	1.000	ST	0000000000	0000000000	
X-X	20	7.306-105.0	Screw M6x30 -8.8-R3R (In6Rd)	2.000	ST	0000000000	0000000000	
	21	6.389-508.0	Hose holder	1.000	ST	0000000000	0000000000	
	22	6.304-095.0	Oval head screw -8-32X1 1/4"	4.000	ST	0000000000	0000000000	
X	23	7.303-080.0	Sheet metal screw ST4,8X32-ST-A2R (KOMB	2.000	ST	0000000000	0000000000	
	24	5.042-215.0	Holder	1.000	ST	0000000000	0000000000	

20 Pump set (0.106-815.0)

Pos	Material #	Name	Qty.	Unit	from ser.nr.	up to ser.nr.
21	0.108-288.0	Piston	1.000	ST	0000000000	0000000000
22	0.106-724.0	Chemistry	1.000	ST	0000000000	0000000000
23	0.106-817.0	Valves	1.000	ST	0000000000	0000000000

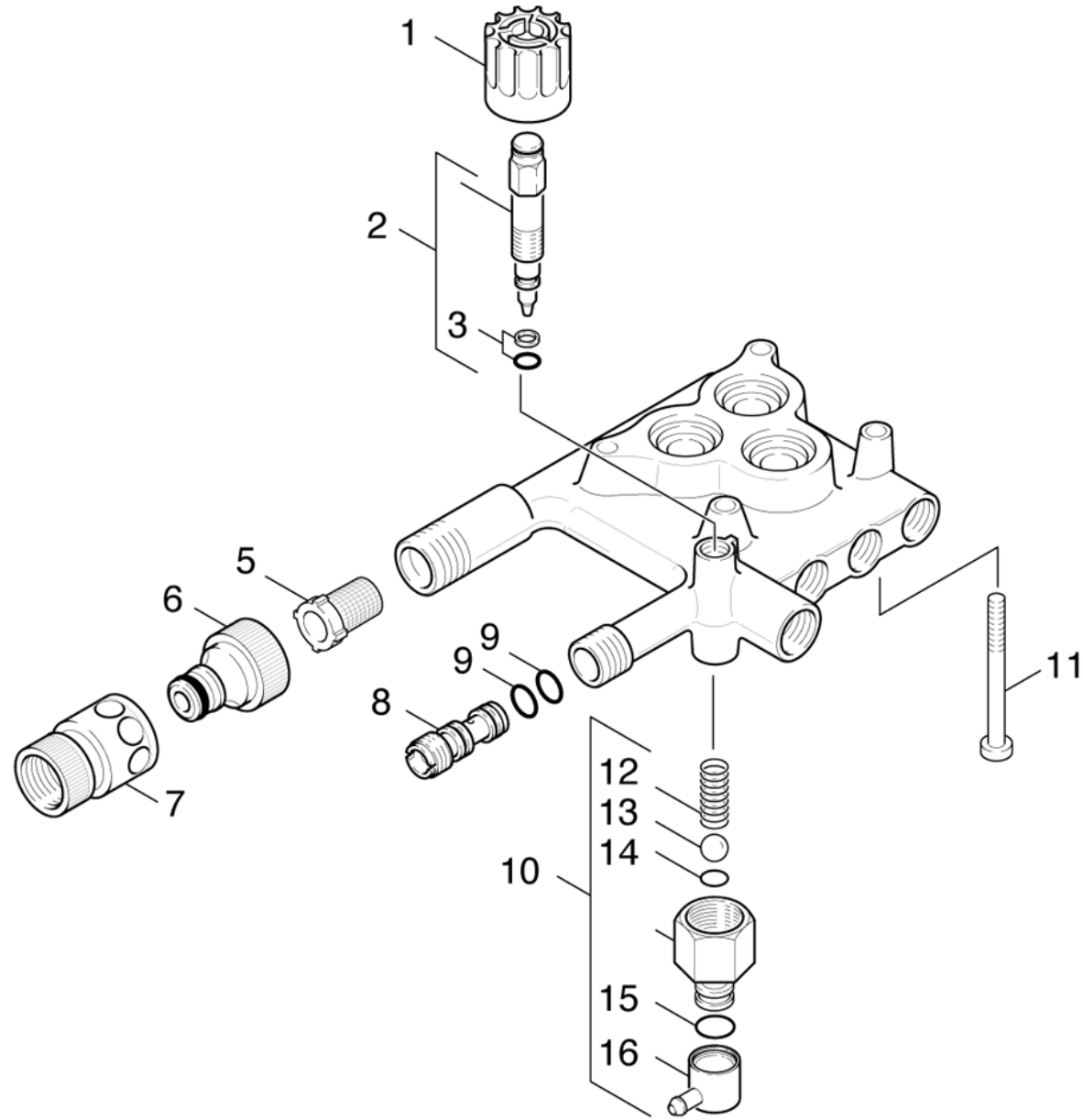


21 Piston (0.108-288.0)

ET/VT (spare/wear parts)	Pos	Material #	Name	Qty.	Unit	from ser.nr.	up to ser.nr.
	1	5.060-369.0	Housing thrust guidance	1.000	ST	0000000000	0000000000
X-X	2	6.365-340.0	Grooved ring 14X22X5/7	3.000	ST	0000000000	0000000000
X-X	3	5.115-466.0	Washer	3.000	ST	0000000000	0000000000
X-X	4	5.115-465.0	Washer	3.000	ST	0000000000	0000000000
X-X	5	6.365-341.0	Grooved ring	3.000	ST	0000000000	0000000000
	6	5.550-207.0	Cylinder head MS	1.000	ST	0000000000	0000000000
X-X	7	5.030-625.0	Moulded part	3.000	ST	0000000000	0000000000
X	8	5.332-251.0	Helical spring	3.000	ST	0000000000	0000000000
X-X	9	5.553-231.0	Piston	3.000	ST	0000000000	0000000000
	10	5.110-618.0	Sleeve	3.000	ST	0000000000	0000000000
X	100	2.883-201.0	Spare part set pump set KAER.	1.000	ST	0000000000	0000000000

100 Spare part set pump set KAER. (2.883-201.0)

ET/VT (spare/wear parts)	Pos	Material #	Name	Qty.	Unit
	10	4.580-211.0	Valve complete long	2.000	ST
X-X	20	4.580-212.0	Valve complete short	1.000	ST
X-X	30	5.115-465.0	Washer	3.000	ST
X-X	40	6.362-078.0	O-Ring seal 13,3x2,4	3.000	ST
X-X	50	6.362-079.0	O-Ring seal 18,0 X 2,5	1.000	ST
X-X	60	6.362-169.0	O-Ring seal 12,0 X 2,0	1.000	ST
X-X	70	6.362-365.0	O-Ring seal complete 1ST.-R.- 7,65X 1,7	1.000	ST
	80	6.362-375.0	Joint ring complete 2ST.-R.	1.000	ST
X-X	90	6.365-341.0	Grooved ring	3.000	ST

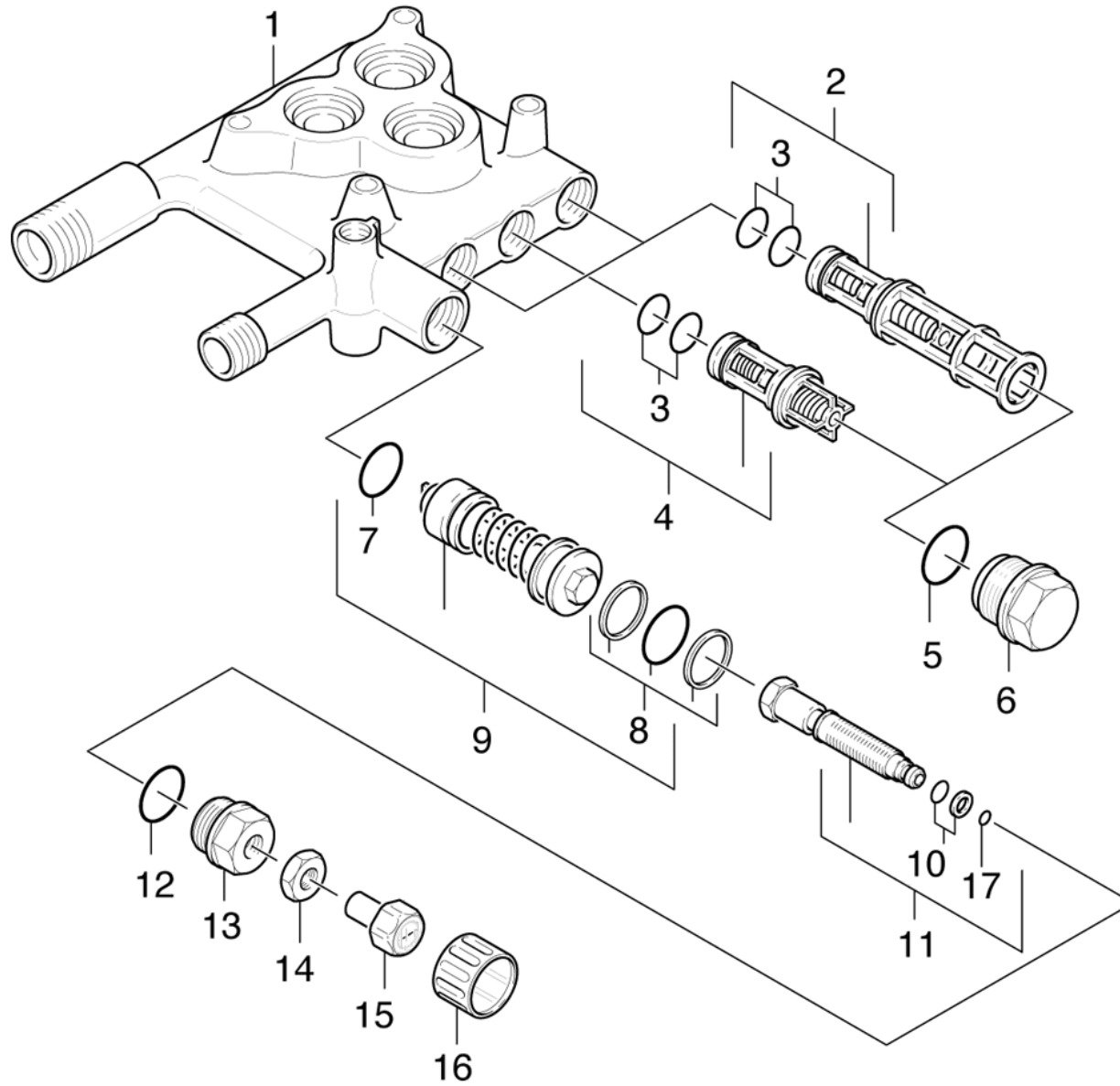


22 Chemistry (0.106-724.0)

ET/VT (spare/wear parts)	Pos	Material #	Name	Qty.	Unit	from ser.nr.	up to ser.nr.
	1	5.321-305.0	Handhold	1.000	ST	0000000000	0000000000
	2	4.291-004.0	Spindle only for replacement	1.000	ST	0000000000	0000000000
X-X	3	6.363-037.0	O-Ring seal complete 1ST.-R.	1.000	ST	0000000000	0000000000
	4	5.550-207.0	Cylinder head MS	1.000	ST	0000000000	0000000000
X-X	5	6.414-252.0	Strainer	1.000	ST	0000000000	0000000000
X-X	6	6.465-031.0	Connection 3/4	1.000	ST	0000000000	0000000000
	7	9.083-003.0	Hose coupling	1.000	ST	0000000000	0000000000
X-X	8	5.769-087.0	Nozzle insert black PVDF	1.000	ST	0000000000	0000000000
X-X	9	6.362-384.0	O-Ring seal 9,0 x 1,5	2.000	ST	0000000000	0000000000
	10	2.883-291.0	Spare part set aspiration chemistry	1.000	ST	0000000000	0000000000
	11	7.306-154.0	Screw M8x75 -8.8-A3R (In6Rd)	4.000	ST	0000000000	0000000000
	12	5.332-258.0	Helical spring	1.000	ST	0000000000	0000000000
	13	7.401-909.0	Sphere 7 G40 -1.4401 DIN 5401	1.000	ST	0000000000	0000000000
X-X	14	6.362-383.0	O-Ring seal 6,0 X 2,0	1.000	ST	0000000000	0000000000
	15	6.362-101.0	O-Ring seal 8 X 2	1.000	ST	0000000000	0000000000
	16	5.443-338.0	Hose stem	1.000	ST	0000000000	0000000000

10 Spare part set aspiration chemistry (2.883-291.0)

ET/VT (spare/wear parts)	Pos	Material #	Name	Qty.	Unit
	10	5.332-258.0	Helical spring	1.000	ST
	20	5.443-338.0	Hose stem	1.000	ST
	30	5.446-006.0	Hose coupling	1.000	ST
X	40	6.288-072.0	Silicon grease	1.000	ST
	50	6.362-101.0	O-Ring seal 8 X 2	1.000	ST
X-X	60	6.362-383.0	O-Ring seal 6,0 X 2,0	1.000	ST
X-X	70	6.590-002.0	Bag PE 150x230 mm	1.000	ST
	80	7.401-909.0	Sphere 7 G40 -1.4401 DIN 5401	1.000	ST



23 Valves (0.106-817.0)

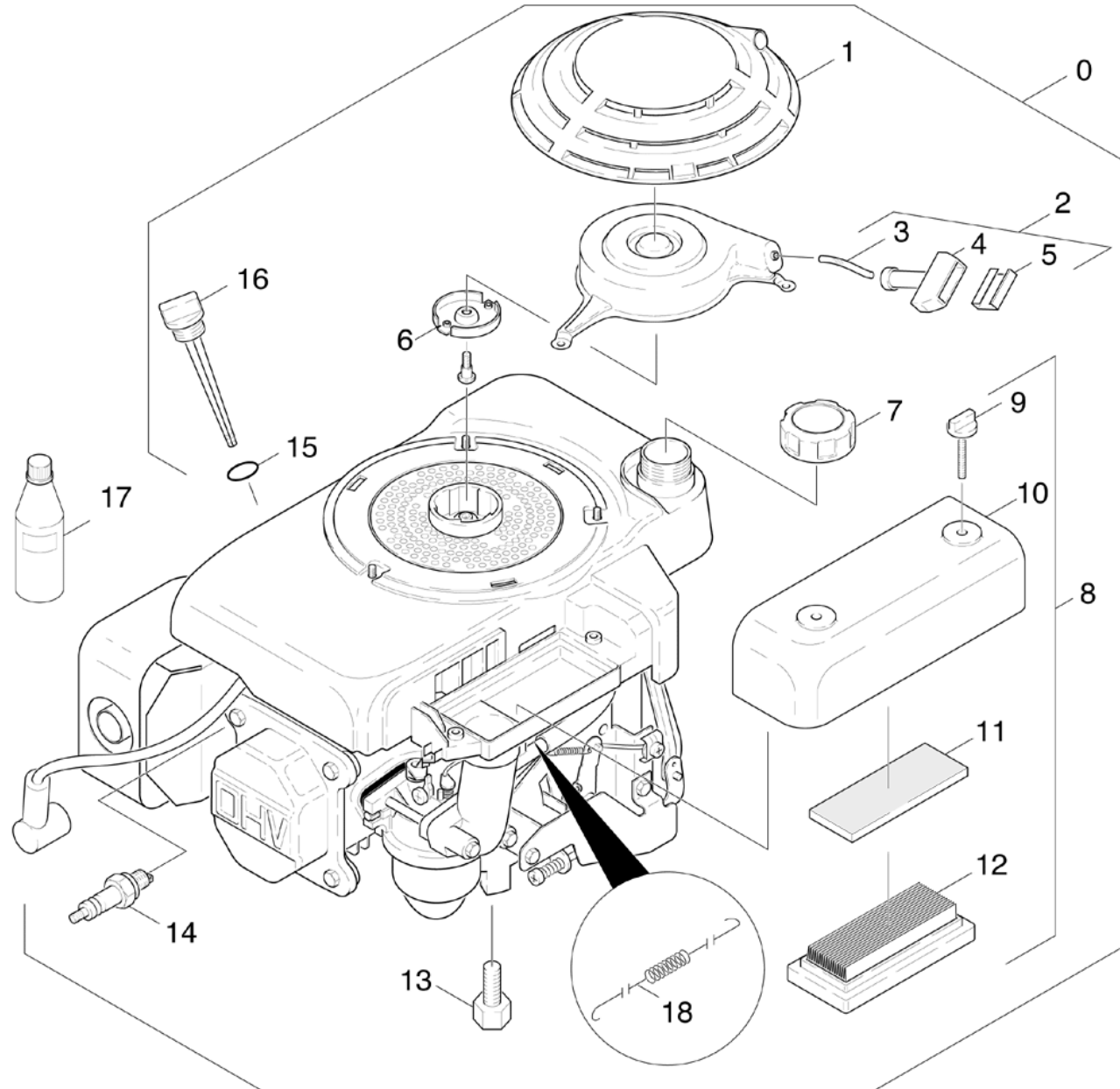
ET/VT (spare/wear parts)	Pos	Material #	Name	Qty.	Unit	from ser.nr.	up to ser.nr.
	1	5.550-207.0	Cylinder head MS	1.000	ST	0000000000	0000000000
X-X	2	2.884-904.0	Valve (2 Stück)	1.000	ST	0000000000	0000000000
X	3	6.362-566.0	O-Ring seal 8,73X 1,78	6.000	ST	0000000000	0000000000
X-X	4	4.580-276.0	Valve complete short	1.000	ST	0000000000	0000000000
X-X	5	6.362-078.0	O-Ring seal 13,3x2,4	3.000	ST	0000000000	0000000000
	6	5.583-099.0	Valve screw	3.000	ST	0000000000	0000000000
X-X	7	6.362-169.0	O-Ring seal 12,0 X 2,0	1.000	ST	0000000000	0000000000
X-X	8	6.362-921.0	O-Ring seal complete	1.000	ST	0000000000	0000000000
X	9	4.580-236.0	Overflow valve only for replacement	1.000	ST	0000000000	0000000000
	10	6.362-719.0	O-Ring seal complete 1ST.R.	1.000	ST	0000000000	0000000000
	11	4.291-003.0	Spindle only for replacement	1.000	ST	0000000000	0000000000
X-X	12	6.362-079.0	O-Ring seal 18,0 X 2,5	1.000	ST	0000000000	0000000000
	13	5.305-195.0	Shaped screw	1.000	ST	0000000000	0000000000
	14	6.310-058.0	Hexagon nut M 8x0,75	1.000	ST	0000000000	0000000000
	15	6.421-202.0	Pressure gauge	1.000	ST	0000000000	0000000000
	16	5.321-306.0	Handhold	1.000	ST	0000000000	0000000000
X	17	7.362-505.0	O-Ring seal 3,75x1,6-NBR 70 DIN 3770	1.000	ST	0000000000	0000000000
X	100	2.883-201.0	Spare part set pump set KAER.	1.000	ST	0000000000	0000000000

100 Spare part set pump set KAER. (2.883-201.0)

ET/VT (spare/wear parts)	Pos	Material #	Name	Qty.	Unit
	10	4.580-211.0	Valve complete long	2.000	ST
X-X	20	4.580-212.0	Valve complete short	1.000	ST
X-X	30	5.115-465.0	Washer	3.000	ST
X-X	40	6.362-078.0	O-Ring seal 13,3x2,4	3.000	ST
X-X	50	6.362-079.0	O-Ring seal 18,0 X 2,5	1.000	ST
X-X	60	6.362-169.0	O-Ring seal 12,0 X 2,0	1.000	ST
X-X	70	6.362-365.0	O-Ring seal complete 1ST.-R.- 7,65X 1,7	1.000	ST
	80	6.362-375.0	Joint ring complete 2ST.-R.	1.000	ST
X-X	90	6.365-341.0	Grooved ring	3.000	ST

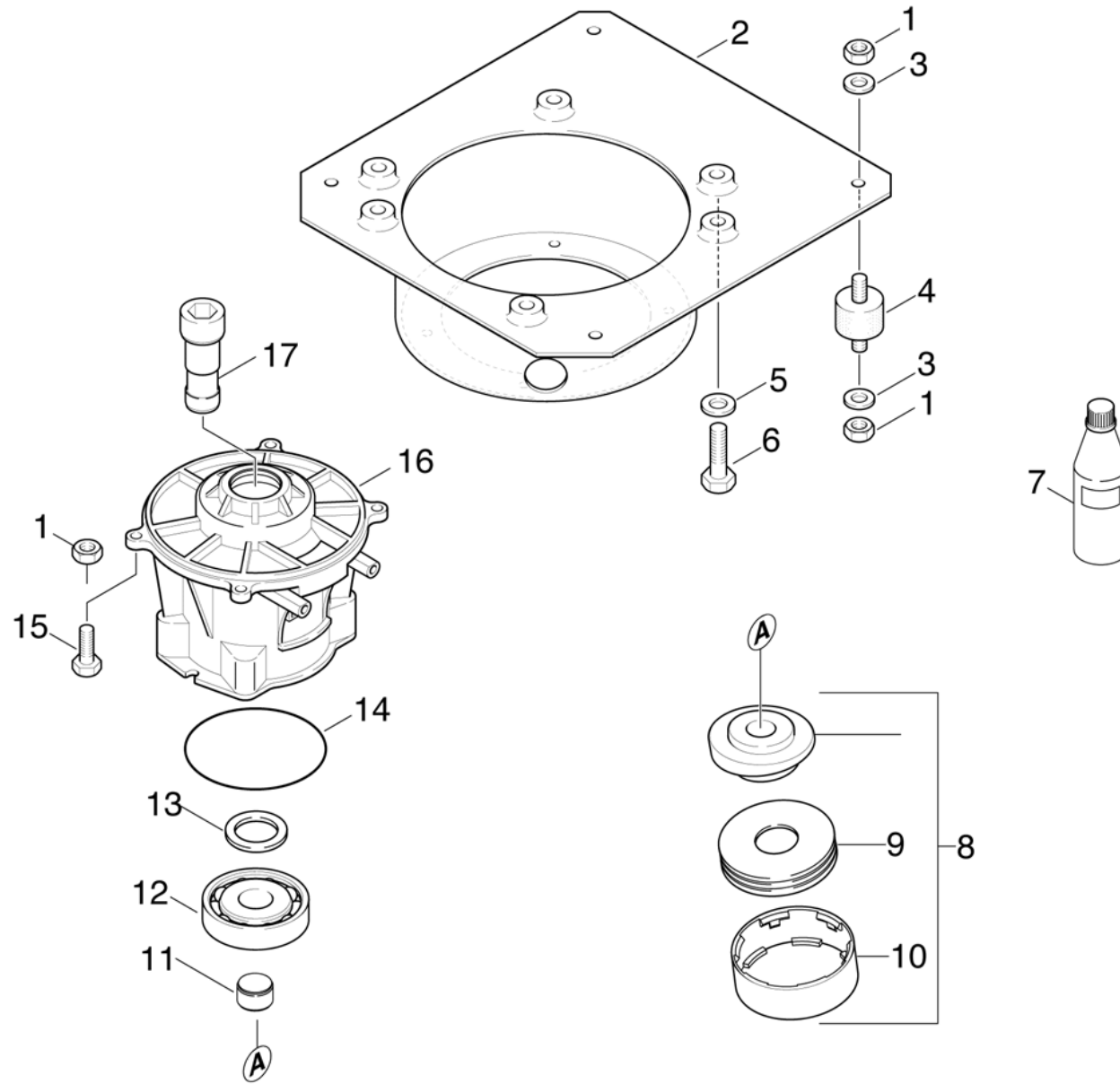
30 Motor (0.111-771.0)

Pos	Material #	Name	Qty.	Unit	from ser.nr.	up to ser.nr.
31	0.111-772.0	Motor	1.000	ST	0000000000	0000000000
32	0.111-773.0	Transmission	1.000	ST	0000000000	0000000000



31 Motor (0.111-772.0)

ET/VT (spare/wear parts)	Pos	Material #	Name	Qty.	Unit	from ser.nr.	up to ser.nr.
	0	6.491-443.0	Gasoline engine -HONDA GXV 140	1.000	ST	0000000000	0000000000
	1	7.777-999.0	Stockpiling discontinued	1.000	ST	0000000000	0000000000
	2	6.275-036.0	Set hand starter	1.000	ST	0000000000	0000000000
	3	6.491-612.0	Pull cord	1.000	ST	0000000000	0000000000
	4	6.491-466.0	Handhold for pull cord	1.000	ST	0000000000	0000000000
	5	6.491-468.0	Handhold reinforcement	1.000	ST	0000000000	0000000000
	6	7.777-999.0	Stockpiling discontinued	1.000	ST	0000000000	0000000000
	7	6.491-461.0	Cap of a tank	1.000	ST	0000000000	0000000000
	8	7.777-999.0	Stockpiling discontinued	1.000	ST	0000000000	0000000000
	9	7.777-999.0	Stockpiling discontinued	1.000	ST	0000000000	0000000000
	10	7.777-999.0	Stockpiling discontinued	1.000	ST	0000000000	0000000000
X-X	11	6.491-463.0	Air filter fleece	1.000	ST	0000000000	0000000000
X-X	12	6.491-462.0	Air filter	1.000	ST	0000000000	0000000000
	13	6.303-221.0	Screw 3/8"-24UNF-1.7225-A2R	1.000	ST	0000000000	0000000000
	14	6.618-098.0	Ignition plug	1.000	ST	0000000000	0000000000
	15	6.491-115.0	O-Ring seal 26,0 X 2,7	1.000	ST	0000000000	0000000000
	16	7.777-999.0	Stockpiling discontinued	1.000	ST	0000000000	0000000000
X-X	17	6.288-086.0	Engine oil SAE30	1.000	ST	0000000000	0000000000
	18	7.777-999.0	Stockpiling discontinued	1.000	ST	0000000000	0000000000

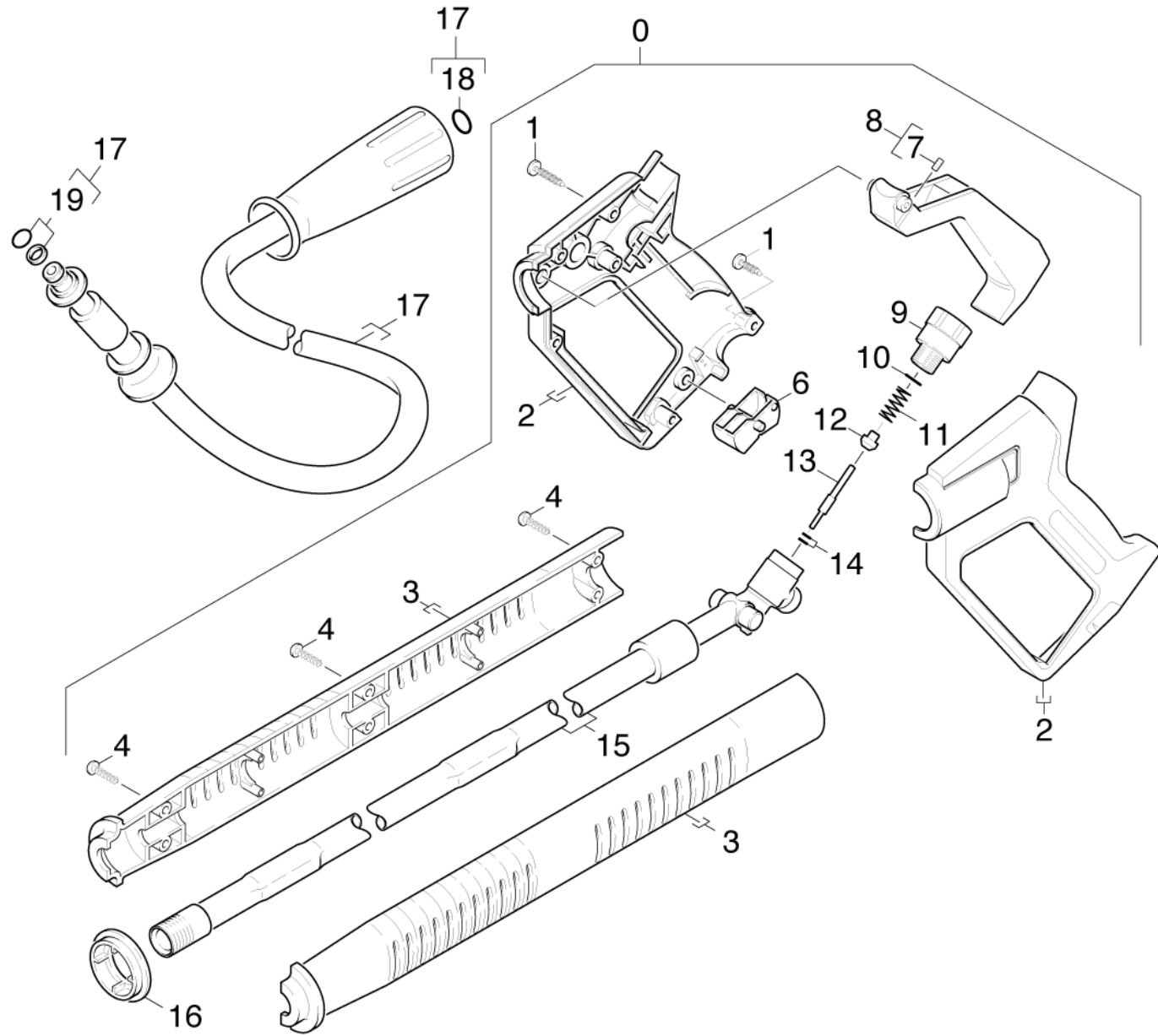


32 Transmission (0.111-773.0)

ET/VT (spare/wear parts)	Pos	Material #	Name	Qty.	Unit	from ser.nr.	up to ser.nr.
X-X	1	7.311-425.0	Hexagon nut M6 -04-A2E ISO 10511	12.000	ST	0000000000	0000000000
	2	5.122-182.0	Flange	1.000	ST	0000000000	0000000000
X-X	3	7.312-003.0	Washer 6 -200HV-A3E ISO 7090	8.000	ST	0000000000	0000000000
X	4	6.339-121.0	Rubber buffer	4.000	ST	0000000000	0000000000
X-X	5	7.312-004.0	Washer 8 -200HV-A3E ISO 7090	3.000	ST	0000000000	0000000000
	6	6.304-033.0	Screw 5/16-24UNF	3.000	ST	0000000000	0000000000
X-X	7	6.288-050.0	Engine oil 1L	1.000	ST	0000000000	0000000000
	8	4.120-154.0	Wobble plate	1.000	ST	0000000000	0000000000
	9	6.401-141.0	Deep groove ball thrust bearing	1.000	ST	0000000000	0000000000
	10	5.015-044.0	Ring	1.000	ST	0000000000	0000000000
X-X	11	6.343-016.0	Tolerance ring 20X14	1.000	ST	0000000000	0000000000
	12	6.401-142.0	Ball bearing 7305 B	1.000	ST	0000000000	0000000000
	13	7.367-018.0	Radial shaft seal ring A26x37x7 -NBR DI	1.000	ST	0000000000	0000000000
X-X	14	6.362-097.0	O-Ring seal 85,0 X 3,0-NBR 70	1.000	ST	0000000000	0000000000
	15	7.306-092.0	Screw M6x20-ST- 8.8-R3R (IN6RD)	4.000	ST	0000000000	0000000000
	16	5.063-418.0	Cover A	1.000	ST	0000000000	0000000000
	17	5.471-076.0	Coupling element	1.000	ST	0000000000	0000000000

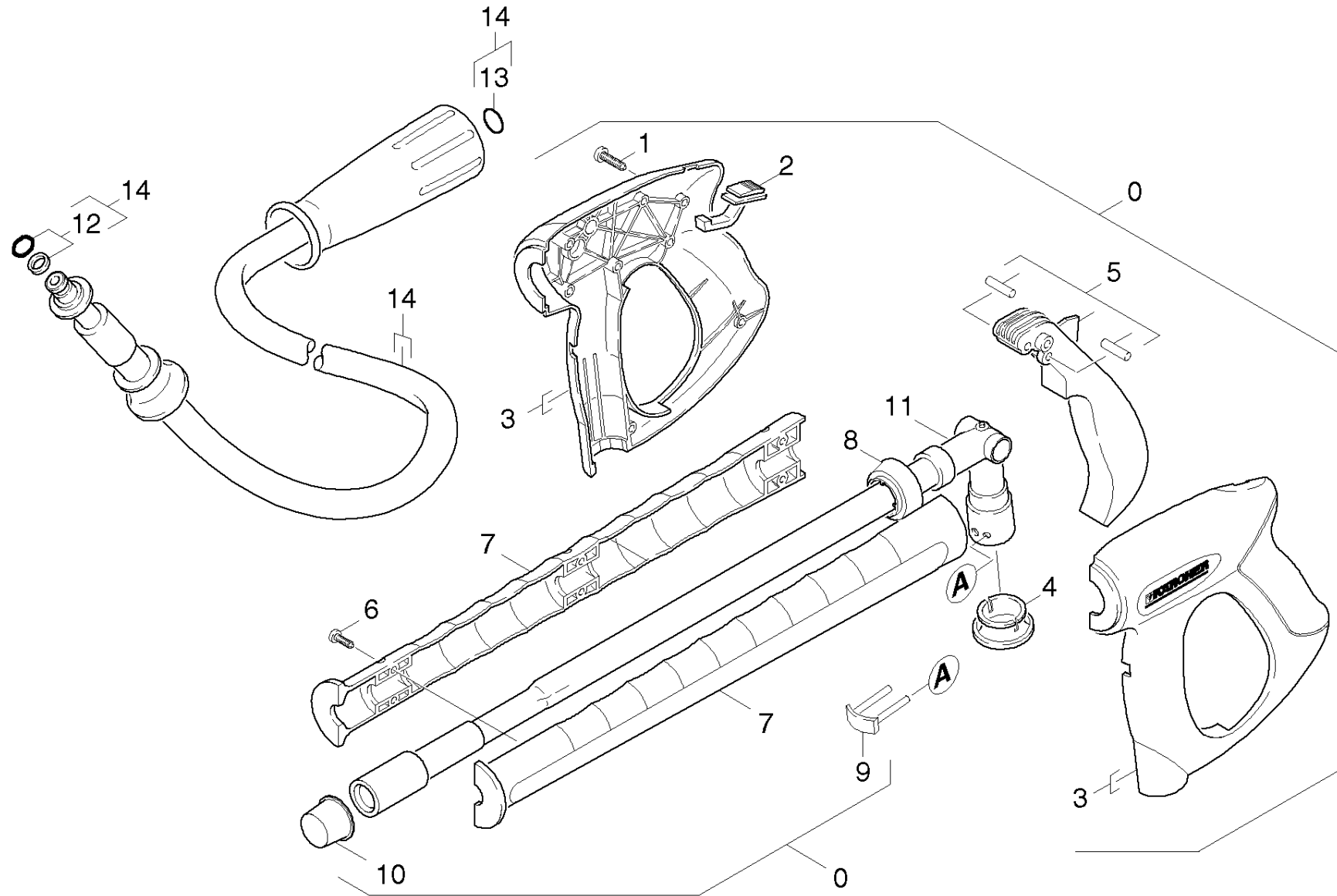
40 Accessories (0.146-714.0)

Pos	Material #	Name	Qty.	Unit	from ser.nr.	up to ser.nr.	var. information
41	0.147-384.0	Hand trigger gun	1.000	ST	0000000000	0000000000	VERSION 1
42	0.103-345.0	Hand trigger gun	1.000	ST			VERSION 2
43	0.146-718.0	Jet pipe	1.000	ST	0000000000	0000000000	
44	0.146-580.0	Nozzle	1.000	ST	0000000000	0000000000	VERSION 1
45	0.103-715.0	Nozzle	1.000	ST			VERSION 2



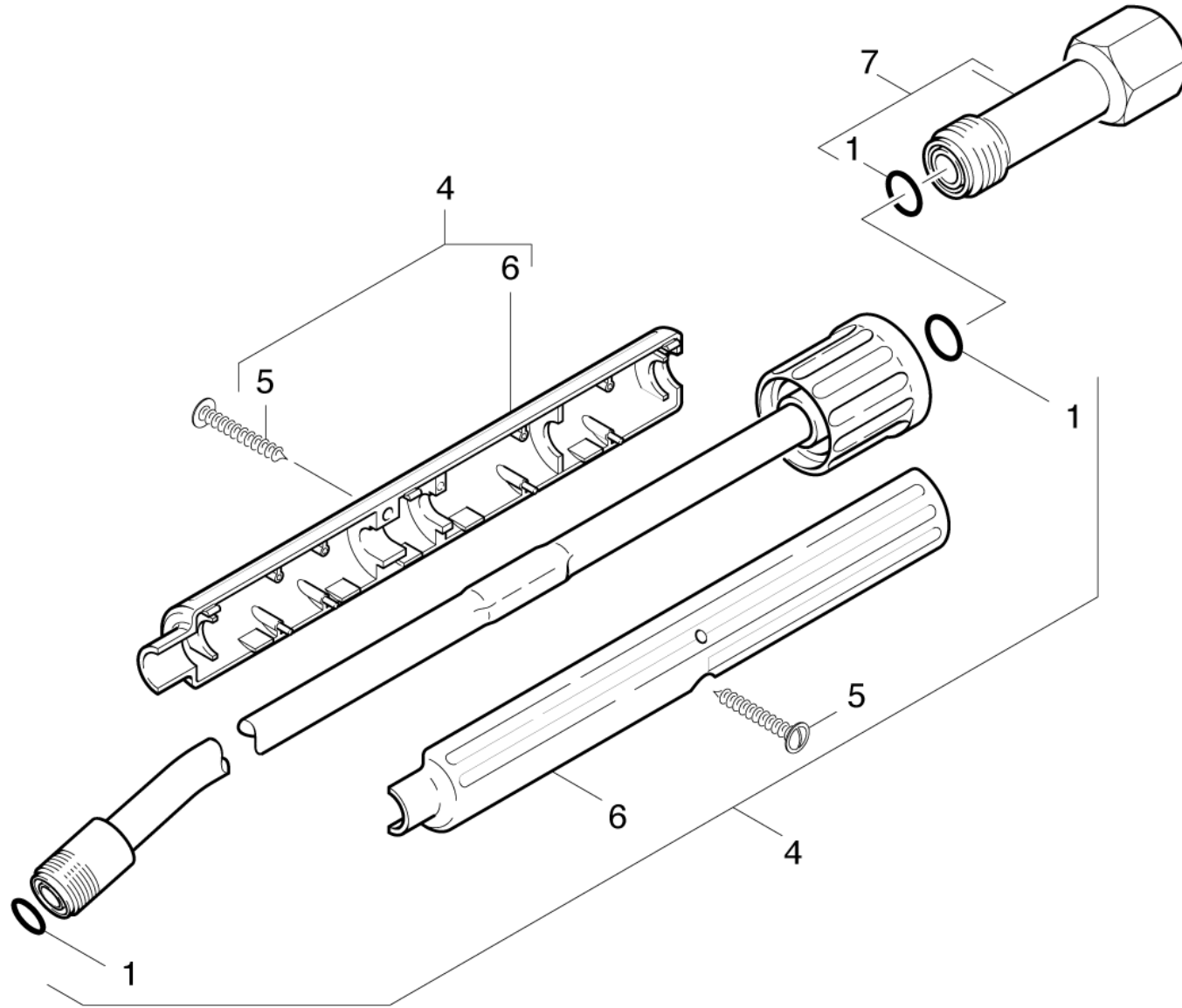
41 Hand trigger gun (0.147-384.0)

ET/VT (spare/wear parts)	Pos	Material #	Name	Qty.	Unit	from ser.nr.	up to ser.nr.
	0	7.777-999.0	Stockpiling discontinued	1.000	ST	0000000000	0000000000
	1	7.303-096.0	Screw 4x22 -ST-10.9-R2R (IN6RD)	1.000	ST	0000000000	0000000000
	2	5.321-206.0	Handhold few	1.000	ST	0000000000	0000000000
	3	5.321-691.0	Handhold few jet pipe	1.000	ST	0000000000	0000000000
	4	6.303-025.0	Oval head screw 4,2x16-St-vz	7.000	ST	0000000000	0000000000
	6	5.481-052.0	Lever	1.000	ST	0000000000	0000000000
	7	7.307-417.0	Threaded pin M8x16 -45H-A2E ISO 4026	1.000	ST	0000000000	0000000000
	8	4.481-050.0	Lever	1.000	ST	0000000000	0000000000
	9	5.411-067.0	Screw plug	1.000	ST	0000000000	0000000000
X-X	10	6.362-584.0	O-Ring seal 12,42X 1,78	1.000	ST	0000000000	0000000000
	11	5.332-157.0	Helical spring	1.000	ST	0000000000	0000000000
	12	5.582-058.0	Valve disc	1.000	ST	0000000000	0000000000
X-X	13	5.107-259.0	Bar	1.000	ST	0000000000	0000000000
X-X	14	6.362-571.0	O-Ring seal complete /1ST.-R	1.000	ST	0000000000	0000000000
	15	4.427-179.0	Manifold	1.000	ST	0000000000	0000000000
	16	5.031-259.0	Moulded part	1.000	ST	0000000000	0000000000
X-X	17	6.389-853.0	High pressure hose DN6	1.000	ST	0000000000	0000000000
X-X	18	2.880-296.0	Spare part set O-Ring seal 5x	1.000	ST	0000000000	0000000000
X-X	19	6.363-115.0	O-Ring seal complete 1ST.-R.	1.000	ST	0000000000	0000000000



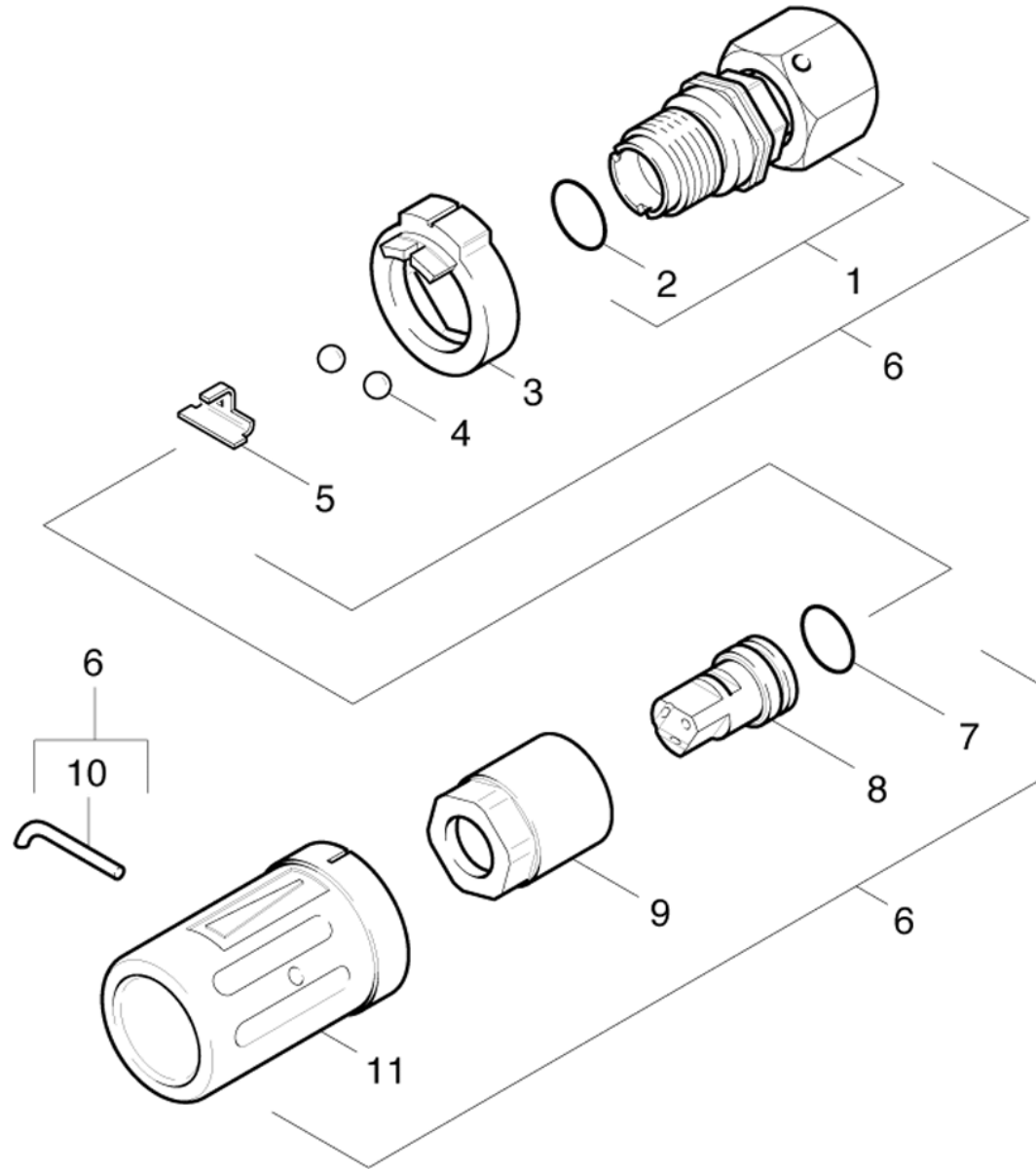
42 Hand trigger gun (0.103-345.0)

ET/VT (spare/wear parts)	Pos	Material #	Name	Qty.	Unit
X	0	4.775-554.0	Hand trigger gun Low End Nippel 10	1.000	ST
	1	7.303-096.0	Screw 4x22 -ST-10.9-R2R (IN6RD)	7.000	ST
	2	5.481-331.0	Slider	1.000	ST
	3	5.321-669.0	Handhold few	1.000	ST
X-X	4	5.110-596.0	Sleeve	1.000	ST
X	5	4.481-209.0	Lever complete	1.000	ST
X-X	6	7.303-129.0	Screw 4x16 -10.9-R2R (K-In6Rd)	6.000	ST
	7	5.321-691.0	Handhold few jet pipe	1.000	ST
	8	5.032-801.0	Moulded part	1.000	ST
X-X	9	4.037-013.0	Hook	1.000	ST
	10	6.368-012.0	Protecting cap 22X1,5	1.000	ST
	11	4.427-316.0	Manifold complete only for replacement	1.000	ST
X-X	12	6.363-115.0	O-Ring seal complete 1ST.-R.	1.000	ST
X-X	13	2.880-296.0	Spare part set O-Ring seal 5x	1.000	ST
X-X	14	6.389-853.0	High pressure hose DN6	1.000	ST



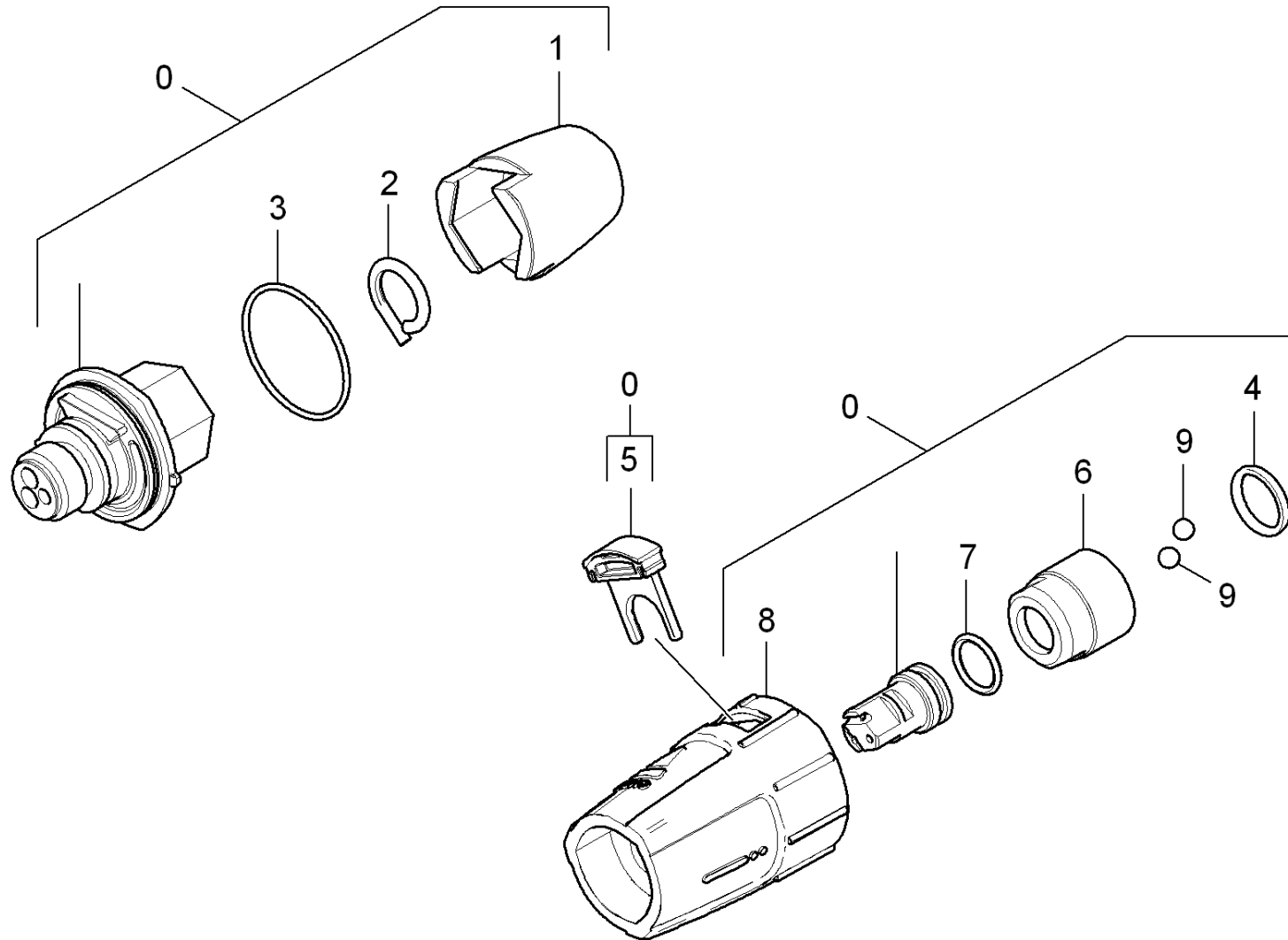
43 Jet pipe (0.146-718.0)

ET/VT (spare/wear parts)	Pos	Material #	Name	Qty.	Unit	from ser.nr.	up to ser.nr.
X-X	1	2.880-296.0	Spare part set O-Ring seal 5x	1.000	ST	0000000000	0000000000
	4	4.760-268.0	Jet pipe	1.000	ST	0000000000	0000000000
	5	6.303-025.0	Oval head screw 4,2x16-St-vz	2.000	ST	0000000000	0000000000
	6	5.321-424.0	Handhold	2.000	ST	0000000000	0000000000
	7	7.777-999.0	Stockpiling discontinued	1.000	ST	0000000000	0000000000



44 Nozzle (0.146-580.0)

ET/VT (spare/wear parts)	Pos	Material #	Name	Qty.	Unit	from ser.nr.	up to ser.nr.
	1	4.402-042.0	Screw union	1.000	ST	0000000000	0000000000
	2	6.362-460.0	O-Ring seal 14,0 X 2,5-NBR 70	1.000	ST	0000000000	0000000000
	3	5.030-528.0	Moulded part	1.000	ST	0000000000	0000000000
	4	7.401-902.0	Sphere 5 G20 -1.4034 DIN 5401	2.000	ST	0000000000	0000000000
	5	5.042-405.0	Holder	1.000	ST	0000000000	0000000000
	6	7.777-999.0	Stockpiling discontinued	1.000	ST	0000000000	0000000000
X-X	7	6.362-480.0	O-Ring seal 12,42x 1,78	1.000	ST	0000000000	0000000000
	8	5.415-603.0	Triple jet nozzle 040	1.000	ST	0000000000	0000000000
	9	5.311-117.0	Hexagon nut	1.000	ST	0000000000	0000000000
	10	5.037-059.0	Hook	1.000	ST	0000000000	0000000000
	11	5.394-269.0	Protection part	1.000	ST	0000000000	0000000000



45 Nozzle (0.103-715.0)

ET/VT (spare/wear parts)	Pos	Material #	Name	Qty.	Unit
X-X	0	4.767-150.0	Triple jet nozzle only for replacement 0	1.000	ST
	1	5.394-530.0	Protection part	1.000	ST
	2	6.343-150.0	Pin 03	1.000	ST
	3	6.362-409.0	O-Ring seal 32,0 X 1,5	1.000	ST
	4	6.362-460.0	O-Ring seal 14,0 X 2,5-NBR 70	1.000	ST
	5	5.321-884.0	Clamp	1.000	ST
	6	5.311-225.0	Nut	1.000	ST
X-X	7	6.362-480.0	O-Ring seal 12,42x 1,78	1.000	ST
	8	5.394-859.0	Protection part	1.000	ST
	9	7.401-902.0	Sphere 5 G20 -1.4034 DIN 5401	2.000	ST