

PARTS BREAKDOWN FOR HD750 (1.797-681.0)

Location	PN	DESCRIPTION	QTY	SERIAL #	
				FROM	TO
1.0 PIECE PARTS - parts listing					
1	5311-0710	Nut	1		
2	5443-2820	Hose stem	1		
3	6362-3950	O-Ring	1		
4	6414-2820	Filter	1		
5	6313-0030	Spring	2		
6	5321-1980	Handhold	1		
7	5066-2120	Cover	1		
8	5363-1350	Joint ring	1		
9	5321-0970	Handhold	1		
10	5132-0100	Plug	1		
11	5052-0170	Support Right	1		
12	5042-3940	Holder	1		
13	5321-1960	Handhold	1		
14	7303-0780	Sheet metal screw ST4,8x19	4		
15	5052-0160	Support Left	1		
17	6321-0540	Star Handle	2		
18	5110-3320	Sleeve	2		
19	7306-0420	Cylinder head screw M8x25-8.8	2		
20	6641-7970	Cable Connector	1		
21	6641-5370	Cable	1		
23	5392-0130	Cap	2		
24	6343-1610	Lock Washer	2		
25	5515-0080	Wheel	2		
26	7312-0180	Washer 20-200	2		
27	5105-0760	Axle	1		
28	7306-0430	Cylinder head screw M8x30-8.8	1		

R J Bowers Distributors

2003 Harrison Ave
Rockford IL 61104

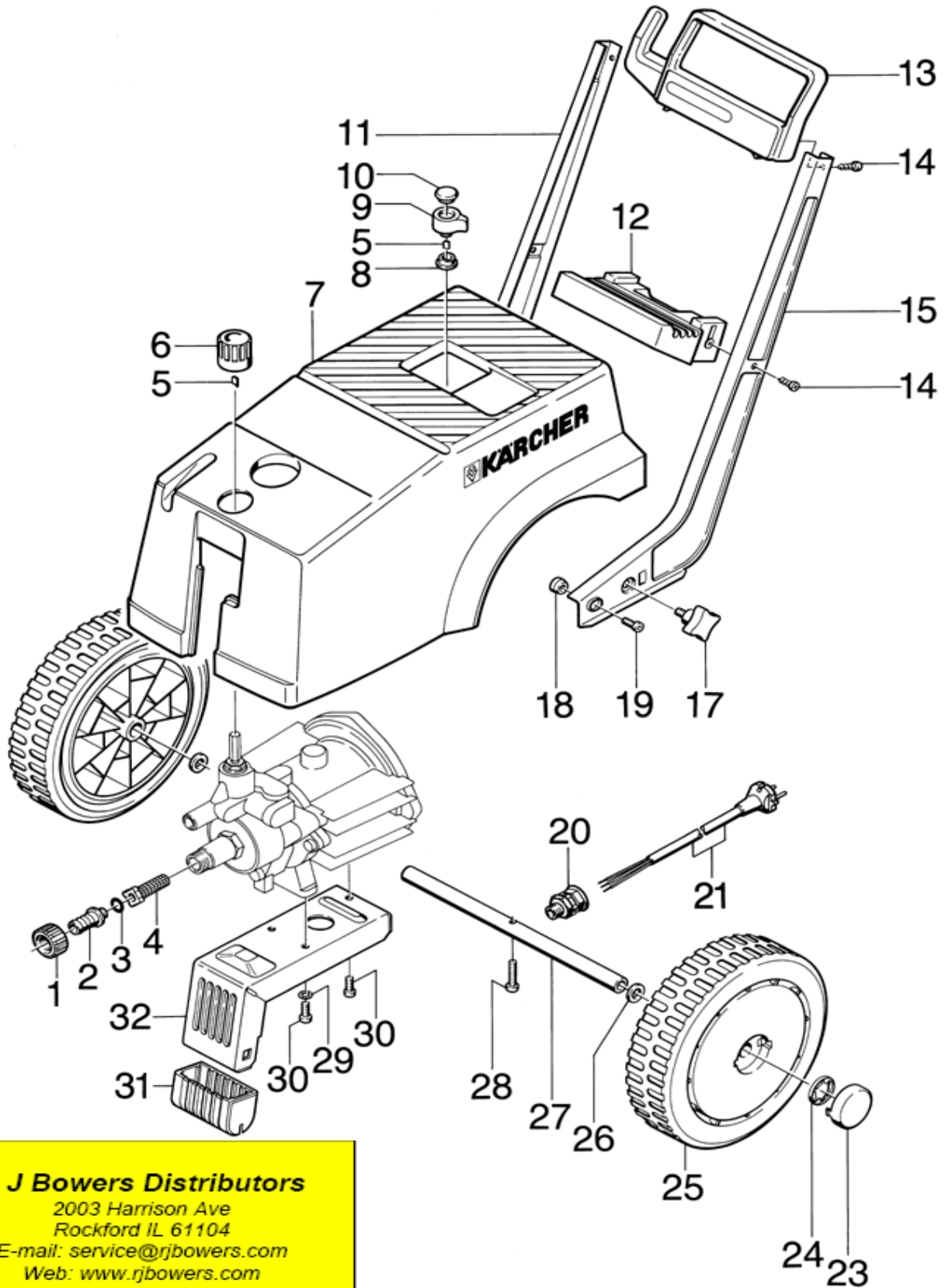
E-mail: service@rjbowers.com

Web: www.rjbowers.com

(815) 399-8839 (800) 383-6584

PARTS BREAKDOWN FOR HD750 (1.797-681.0)

Location	PN	DESCRIPTION	QTY	SERIAL #	
				FROM	TO
1.0 PIECE PARTS - parts diagram					



R J Bowers Distributors
 2003 Harrison Ave
 Rockford IL 61104
 E-mail: service@rjbowers.com
 Web: www.rjbowers.com
 (815) 399-8839 (800) 383-6584

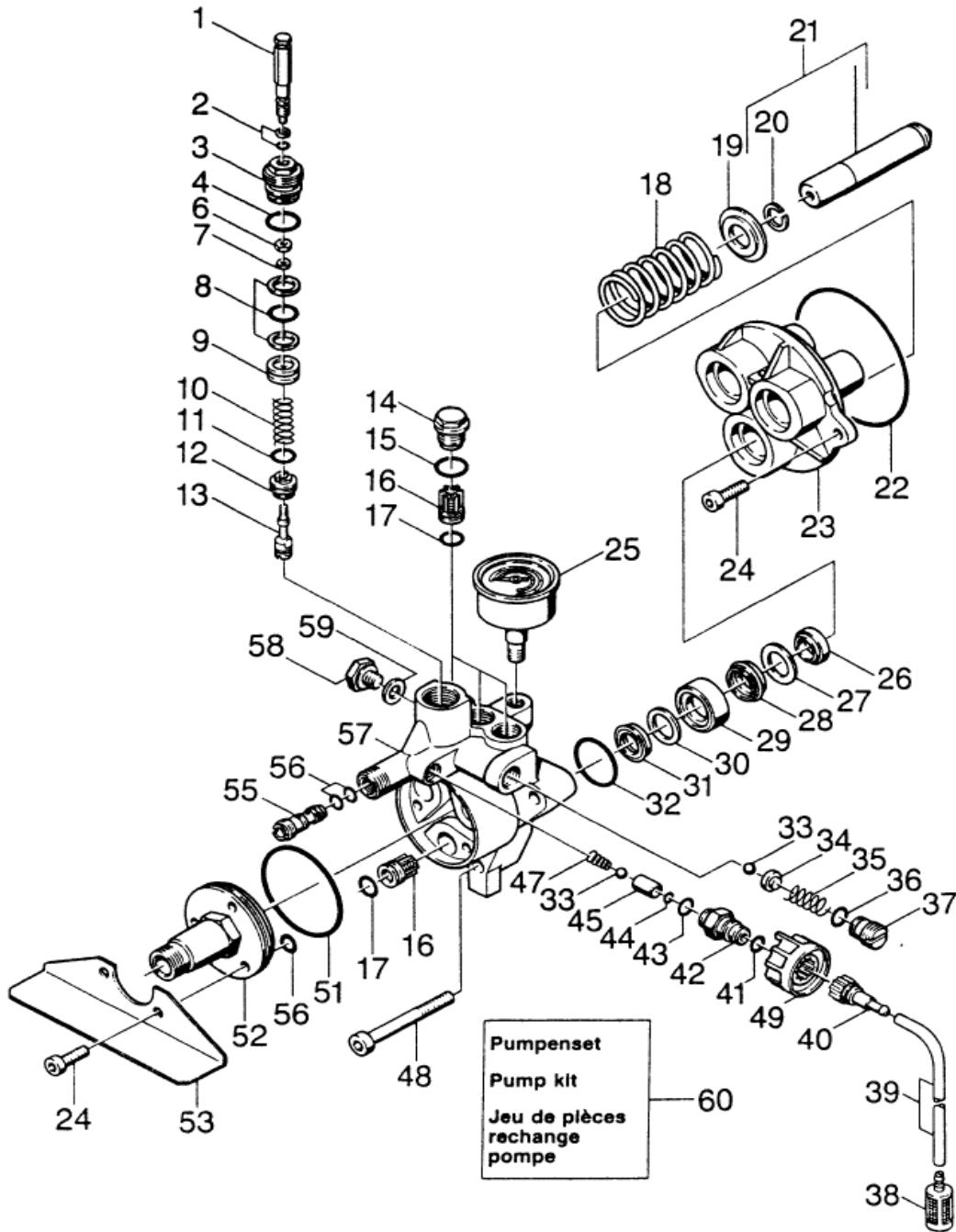
PARTS BREAKDOWN FOR HD750 (1.797-681.0)

Location	PN	DESCRIPTION	QTY	SERIAL #	
				FROM	TO
2.0 PUMP SET - parts listing					
1	5304-0510	Hexagonal head screw	1		
2*	6362-4680	O-Ring Complete	1		
3	5411-0570	Screw plug	1		
4*	6362-4120	O-Ring 22.0x1.5	1		
6*	7311-2180	Hexagon Nut M6	1		
7	7311-0370	Hexagon nut M 5-CU2	1		
8*	6362-6100	O-Ring Complete (Set of 3 flat-round-flat)	1		
9	5553-2170	Piston	1		
10	5332-2290	Spring	1		
11*	6362-4800	O-Ring 12.42x1.78	1		
12	5581-0780	Valve Seat	1		
13	5584-0510	Pin	1		
14	5583-0900	Valve screw	3		
15	6362-1530	O-Ring 15.3x2.4	3		
16*	2884-9110	Valve (3 Pack)	2		
16*	4580-1750	Valve (single - alternative)	6		
17	6362-4810	O-Ring seal 14,0x2,0-NBR 80	6		
18	5332-1500	Helical spring	3		
19	5115-2890	Washer	3		
20	6472-3310	Snap ring 20	3		
21		Stockpiling discontinued	3		
22*	6362-4480	O-Ring 100.0x1.78	1		
23	5060-2610	Housing	1		
24	7306-0420	Cylinder head screw M8x25 -8.8	5		
25	6421-1250	Pressure Guage	1		
26*	6365-0520	Oil Seal / Grooved Ring 20x28x6/8	3		
27	5115-2550	Washer	3		
28*	6365-0530	Compact Seal 20x30x6	3		
29	5112-1810	Bush	3		
30*	5115-2240	Washer	3		
31*	6365-3300	Water Seal / Grooved Ring	3		
32*	6362-4840	O-Ring 34.65x1.78	3		
33	7401-9080	Sphere 7 G300 -1.4301	2		
34	5582-0780	Valve Head	1		
35	5332-2030	Helical spring	1		
36*	6362-1690	O-Ring 12.0x2.0	1		
37	5583-0890	Valve screw	1		
38	5731-6090	Filter with weight	1		
39	6388-2160	Hose DN 5	2		
40	5443-2810	Nipple	1		
41*	6362-1510	O-Ring 10.0x2.0	1		
42	5402-3620	Screw Socket	1		
43*	6362-5330	O-Ring 14.0x1.5	1		
44	6362-3830	O-Ring 6.0x2.0	1		
45	5026-7640	Tube	1		
47	5332-1240	Helical spring	1		
48	7306-1220	Cylinder head screw M12x80- 8.8	3		
49	5321-1990	Handhold	1		
51*	6362-5010	O-Ring 68.0x2.0	1		
52	5063-2970	Cover housing	1		
53		Stockpiling discontinued	1		
55	5769-0790	Nozzle insert D1.8/ D2.7	1		
56*	6362-3840	O-Ring 9.0x1.5	5		
57	4550-0980	Cylinder Head Complete	1		
58	7382-2320	Screw plug M12x1.5-A	1		
59	7362-0040	Joint ring A12x15.5	1		
60*	2880-4690	Pump set HD850/WS	1		

R J Bowers Distributors
 2003 Harrison Ave
 Rockford IL 61104
 E-mail: service@rjbowers.com
 Web: www.rjbowers.com
 (815) 399-8839 (800) 383-6584

PARTS BREAKDOWN FOR HD750 (1.797-681.0)

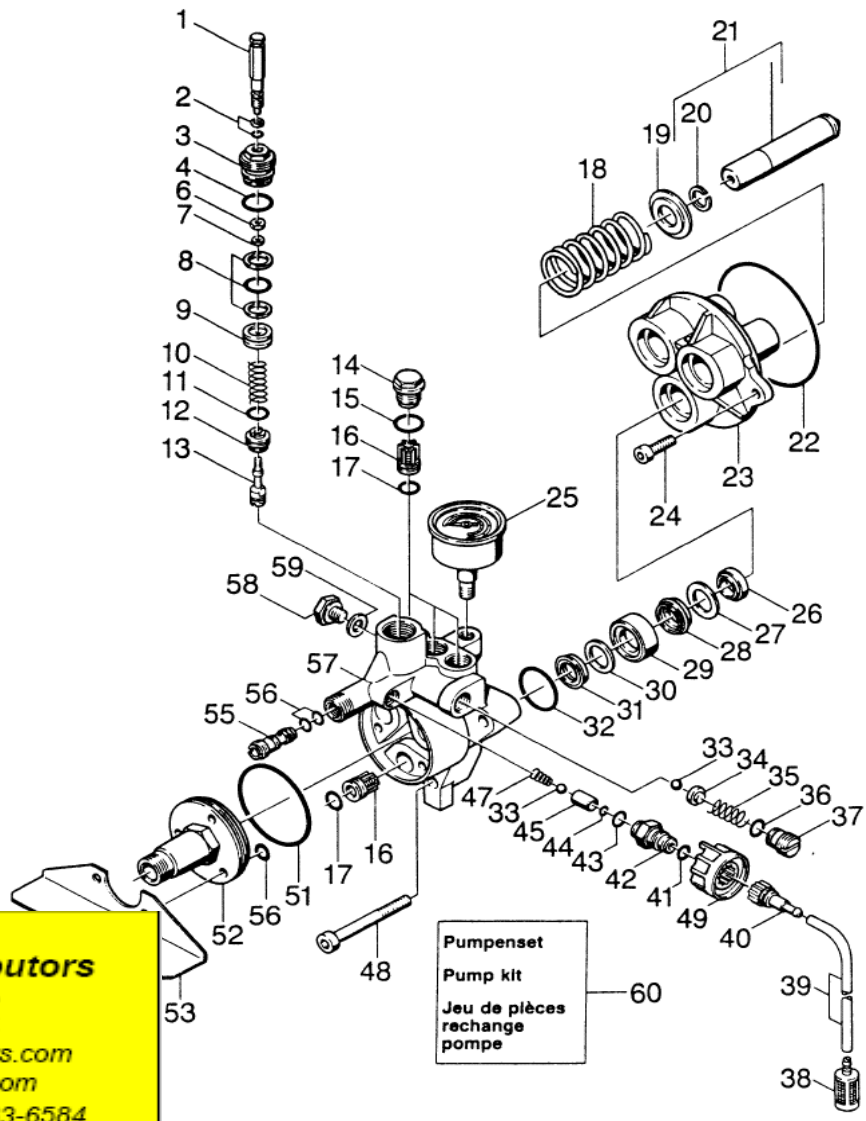
Location	PN	DESCRIPTION	QTY	SERIAL #	
				FROM	TO
2.0 PUMP SET - parts diagram					



R J Bowers Distributors
 2003 Harrison Ave
 Rockford IL 61104
 E-mail: service@rjbowers.com
 Web: www.rjbowers.com
 (815) 399-8839 (800) 383-6584

PARTS BREAKDOWN FOR HD850WS (1.754-121.0)

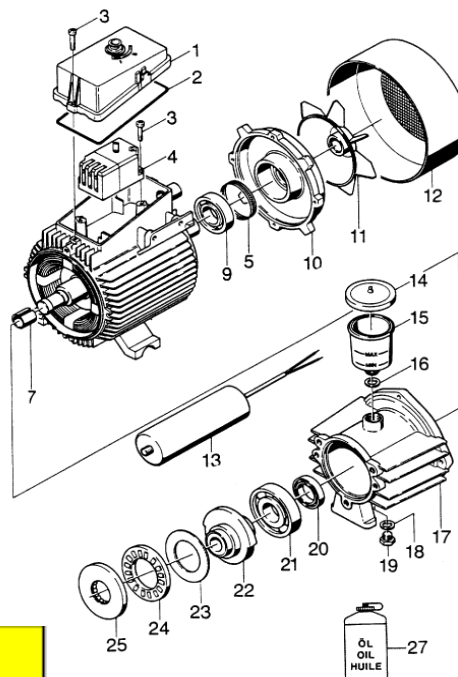
Location	PN	DESCRIPTION	QTY	SERIAL #	
				FROM	TO
REBUILD KIT 2.880-469.0					
2	6362-4680	O-Ring Seal Complete	1		
4	6362-4120	O-Ring Seal 22.0x1.5	1		
6	7311-2180	Hexagon Nut M6	1		
8	6362-6100	O-Ring Seal Complete (Set of 3 - Unloader)	1		
11	6362-4800	O-Ring Seal 12.42x1.78 (Unloader)	1		
15	6362-1530	O-Ring Seal 15.3x2.4	3		
16	2884-9110	Valve (3 Pack)	2		
22	6362-4480	O-Ring Seal 100.0x1.78	1		
26	6365-0520	Oil Seal / Grooved Ring 20x28x6/8	3		
28	6365-0530	Compact Seal 20x30x6	3		
30	5115-2240	Washer - Teflon	3		
31	6365-3300	Water Seal / Grooved Ring	3		
32	6362-4840	O-Ring Seal 34.65x1.78	3		
36	6362-1690	O-Ring Seal 12.0x2.0	1		
41	6362-1510	O-Ring Seal 10.0x2.0	1		
43	6362-5330	O-Ring Seal 14.0x1.5	1		
51	6362-5010	O-Ring Seal 68.0x2.0	1		
56	6362-3840	O-Ring Seal 9.0x1.5	5		



R J Bowers Distributors
 2003 Harrison Ave
 Rockford IL 61104
 E-mail: service@rjbowers.com
 Web: www.rjbowers.com
 (815) 399-8839 (800) 383-6584

PARTS BREAKDOWN FOR HD750 (1.797-681.0)

Location	PN	DESCRIPTION	QTY	SERIAL #	
				FROM	TO
3.0 MOTOR					
1	5066-2100	Cover	1		
2	6273-0700	Seal string cellular rubber 4	1		
3	7309-0160	Screw M4x22-Z7-1	4		
4	6631-1900	Switch	1		
5	6343-0230	Tolerance Ring	1		
7	6343-0240	Tolerance Ring	1		
9	7401-1310	Ball bearing 6205-2Z	1		
10	6612-1980	End Plate	1		
11	6612-1120	Fan Impeller	1		
12	6612-1130	Ventilator Cowl	1		
13	6661-1330	Capacitor	1		
14	5063-2490	Cover	1		
15	5070-0480	Box	1		
16	5363-1000	Joint ring	1		
17	5060-2710	Housing	1		
18	7362-0050	Joint Ring 14x18-CU	1		
19	7382-2330	Screw plug M14x1.5	1		
20	7367-0100	Radial shaft seal ring A38x52x7	1		
21	7401-0350	Ball bearing 7307B-TN DIN 628	1		
23	6401-1220	Roller	1		
24	6401-1870	Roller Trust Cage	1		
25	6401-1860	Pressure disc - 40x 68x 5	1		
27	6288-0500	Oil 1 Litre	1		



R J Bowers Distributors

2003 Harrison Ave
Rockford IL 61104

E-mail: service@rjbowers.com

Web: www.rjbowers.com

(815) 399-8839 (800) 383-6584

PARTS BREAKDOWN FOR HD750 (1.797-681.0)

Location	PN	DESCRIPTION	QTY	SERIAL #	
				FROM	TO
4.0 ACCESSORIES - parts listing					
0	4775-0790	Trigger Gun	1		
1	7303-0960	Screw 4x22	6		
2	5321-2060	Handhold few	1		
3	5427-1150	Manifold	1		
4	6362-5710	O-Ring Complete	1		
5	5107-2590	Bar	1		
6	5582-0580	Valve Plate	1		
7	5332-1570	Coil Spring	1		
8	6362-4800	O-Ring seal 12.42x1.78	2		
9	5411-0670	Screw plug	2		
10	5481-0520	Lever	1		
11	6362-4960	O-Ring	1		
12	7307-4170	Threaded pin M8x16-45	1		
13	4481-0500	Lever	1		
14	6363-1150	Gaslet	1		
15	6389-8530	High pressure hose DN6	1		
16	2880-9900	O-Ring 5-Pack (10.0x2.0)	1		
17	4760-1840	Spray Lance	1		
18	5321-1500	Handle (Part # = 1/2)	2		
19	6303-0250	Oval head screw 4,2x16-St-vz	2		
20	4402-0420	Screw Union	1		
21	6362-4600	O-Ring	1		
22	5030-5280	Moulded part	1		
23	7401-9020	Sphere 5 G20 -1.4034	2		
24	5042-4050	Holder	1		
26	6415-4850	Triple jet nozzle 055	1		
27	5311-1170	Hexagon nut	1		
28	5037-0590	Hook	1		
29	5394-2690	Protection Part	1		
30	4767-0930	Triple Jet Nozzle 055 Complete	1		
31	2883-0560	Spare part set HD750	1		

R J Bowers Distributors

2003 Harrison Ave
Rockford IL 61104

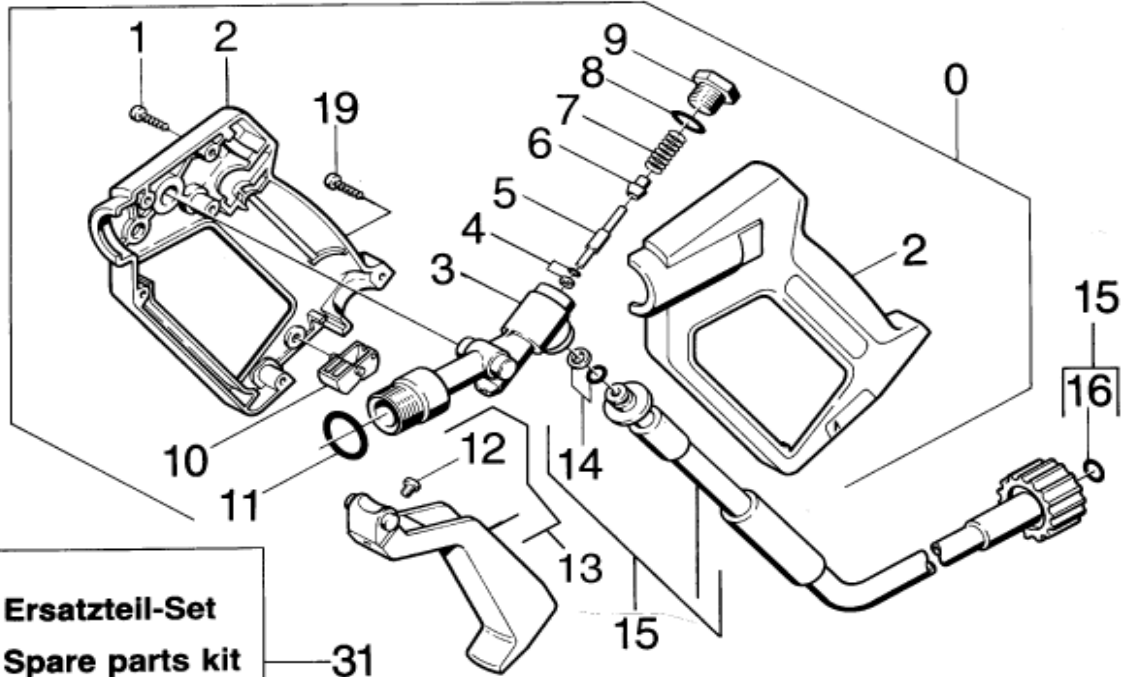
E-mail: service@rjbowers.com

Web: www.rjbowers.com

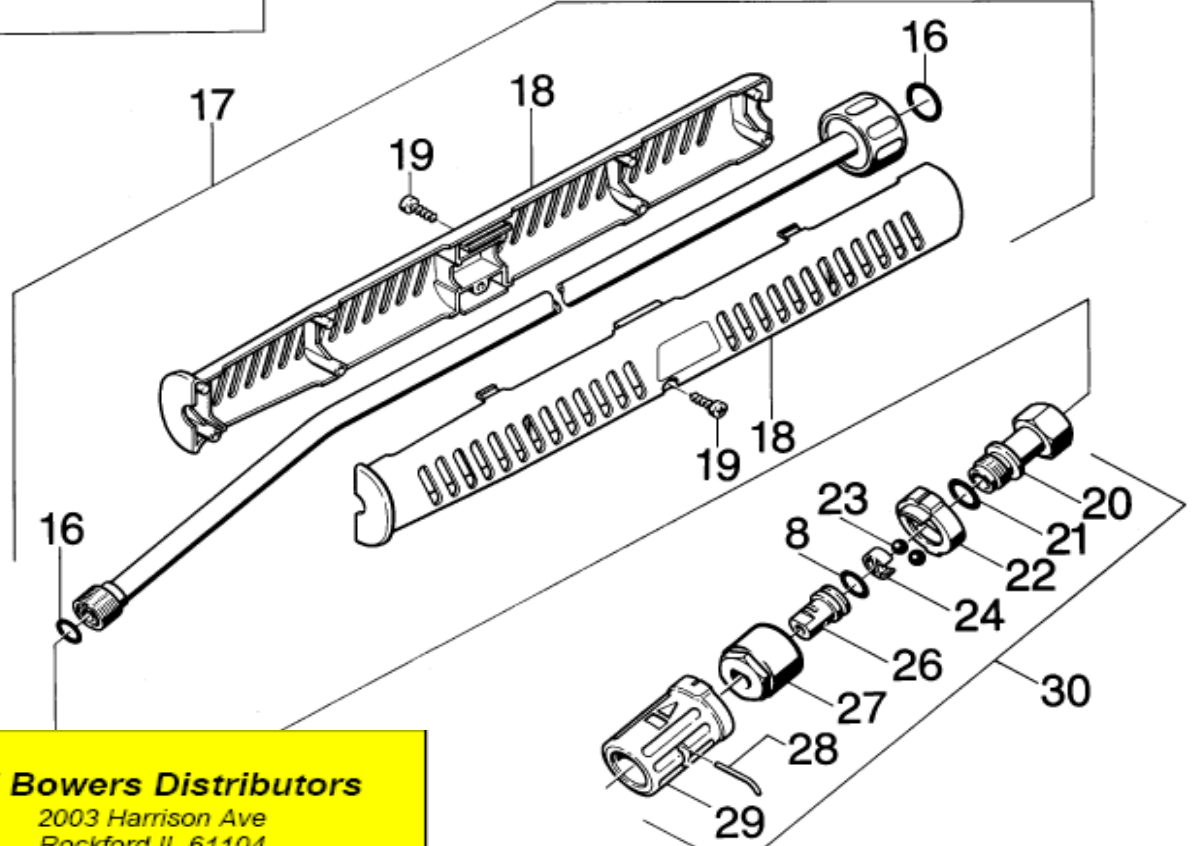
(815) 399-8839 (800) 383-6584

PARTS BREAKDOWN FOR HD750 (1.797-681.0)

Location	PN	DESCRIPTION	QTY	FROM	SERIAL # TO
4.0 ACCESSORIES - parts diagram					



Ersatzteil-Set
Spare parts kit
Kit de pièces



R J Bowers Distributors
 2003 Harrison Ave
 Rockford IL 61104
 E-mail: service@rjbowers.com
 Web: www.rjbowers.com
 (815) 399-8839 (800) 383-6584