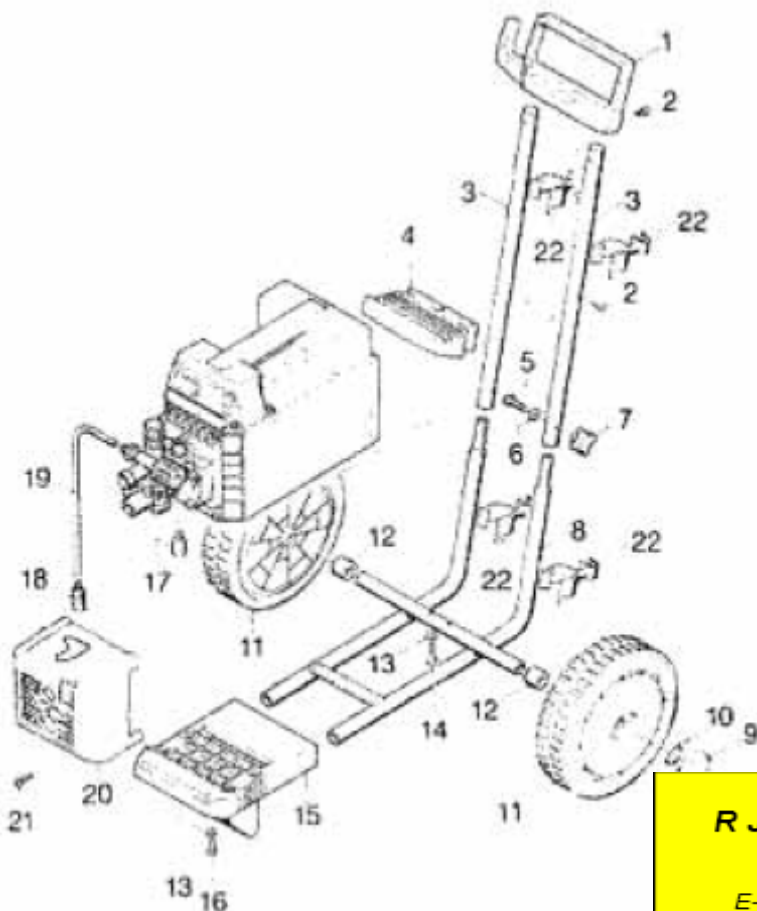


PARTS BREAKDOWN FOR HD645 (1.883-680.0)

Location	PN	DESCRIPTION	QTY	SERIAL #	
				FROM	TO
PIECE PARTS 1.0					
1	5321-2410	Handle	1		
2	7303-3740	Sheet Metal Screw	4		
3	5026-8990	Pipe	2		
4	5042-4210	Bracket	1		
5	0734-3870	Hex Head Screw	2		
6	7312-0330	Washer	2		
7	6310-0230	Star Handle	2		
8	4034-0450	Strap	1		
9	5392-0130	Cap	2		
10	6343-1610	Lock Washer	2		
11	5515-0080	Wheel	2		
12	5112-3160	Bush	2		
13	7312-0020	Washer	4		
14	7306-0040	Cheese Head Screw	2		
15	5052-0180	Stand	1		
16	7303-0380	Screw	2		
17	0633-9092	Rubber Buffer	2		
18	5731-6090	Filter	1		
19	6388-2160	Hose	1		
20	5066-2660	Cover	1		
21	7306-3120	Oval Head Screw	1		
22	6389-5080	Hose Bracket	4		



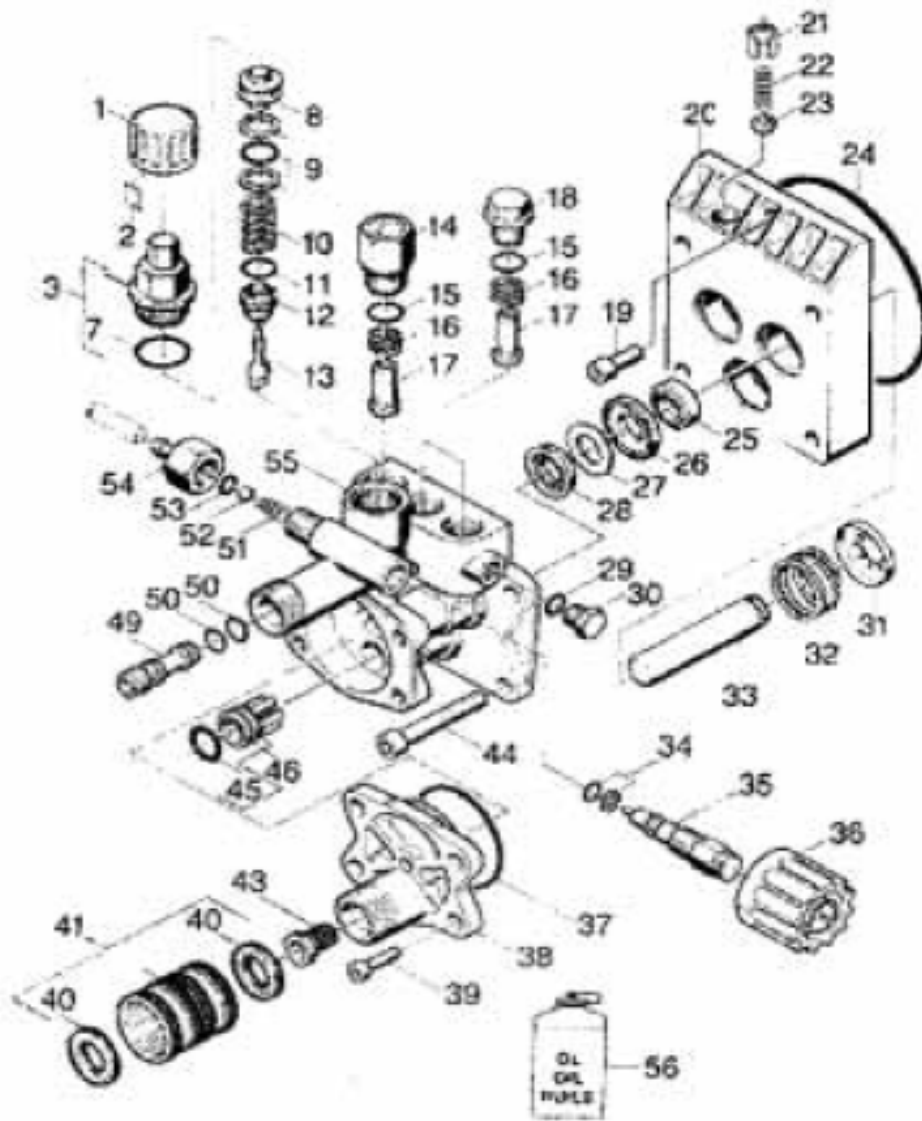
R J Bowers Distributors
 2003 Harrison Ave
 Rockford IL 61104
 E-mail: service@rjbowers.com
 Web: www.rjbowers.com
 (815) 399-8839 (800) 383-6584

PARTS BREAKDOWN FOR HD645 (1.883-680.0)

Location	PN	DESCRIPTION	QTY	SERIAL #	
				FROM	TO
PUMP SET 2.0 parts list					
1	5321-1940	Handle	1		
2	6313-0030	Retainig Spring	1		
3	4401-0530	Screw Union Part	1		
7	6362-0790	Gasket	1		
8	5553-1760	Piston	1		
9	6362-9210	Gasket	1		
10	5332-2070	Helical Spring	1		
11	6362-1690	Gasket	1		
12	5581-1030	Valve Seat	1		
13	5305-1460	Screw	1		
14	6421-1310	Pressure Gauge	1		
15	6362-0780	Gasket	3		
16	5332-1160	Helical Spring	3		
17	5584-0560	Valve Pin	3		
18	5583-0990	Valve Screw	2		
19	6304-0160	Cheese Head Screw	2		
20	5060-2940	Housing	1		
21	5030-5330	Moulded Part	1		
22	5332-2090	Helical Spring	1		
23	5582-0800	Valve Disc	1		
24	6362-4410	Gasket	1		
25	6365-3220	Grooved Ring (Oil Seal)	3		
26	5115-4190	Washer	3		
27	5115-3860	Washer	3		
28	6365-3210	Grooved Ring (Water Seal)	3		
29	6362-1010	Gasket	1		
30	5411-0700	Closing Screw	1		
31	5030-5000	Moulded Part (Lock Washer / Retainer Cap)	3		
32	5332-2060	Pressure Spring	3		
33	5553-2060	Piston	3		
34	6362-3650	Gasket	1		
35	5291-0320	Spindel	1		
36	5321-1930	Handle	1		
37	6362-5610	Gasket	1		
38	5060-3100	Housing	1		
39	6304-0230	Cheese Head Screw	4		
40	5364-1290	Seal	2		
41	6386-4630	Screw Connector	1		
43	6414-2520	Strainer	1		
44	6304-0170	Cheese Head Screw	4		
45	6362-3810	Gasket	3		
46	4580-1860	Valve	3		
49	5769-0750	Nozzle Insert	1		
50	6362-3840	Gasket	2		
51	5332-1240	Helical Spring	1		
52	7401-9090	Ball	1		
53	6362-3830	Gasket	1		
54	5443-2890	Hose Stem	1		
55	4550-1070	Cylinder Head	1		
56	6288-0500	Pump Oil 15W-40	1		

PARTS BREAKDOWN FOR HD645 (1.883-680.0)

Location	PN	DESCRIPTION	QTY	SERIAL #	
				FROM	TO
PUMP SET 2.0 diagram					



R J Bowers Distributors
 2003 Harrison Ave
 Rockford IL 61104
 E-mail: service@rjbowers.com
 Web: www.rjbowers.com
 (815) 399-8839 (800) 383-6584

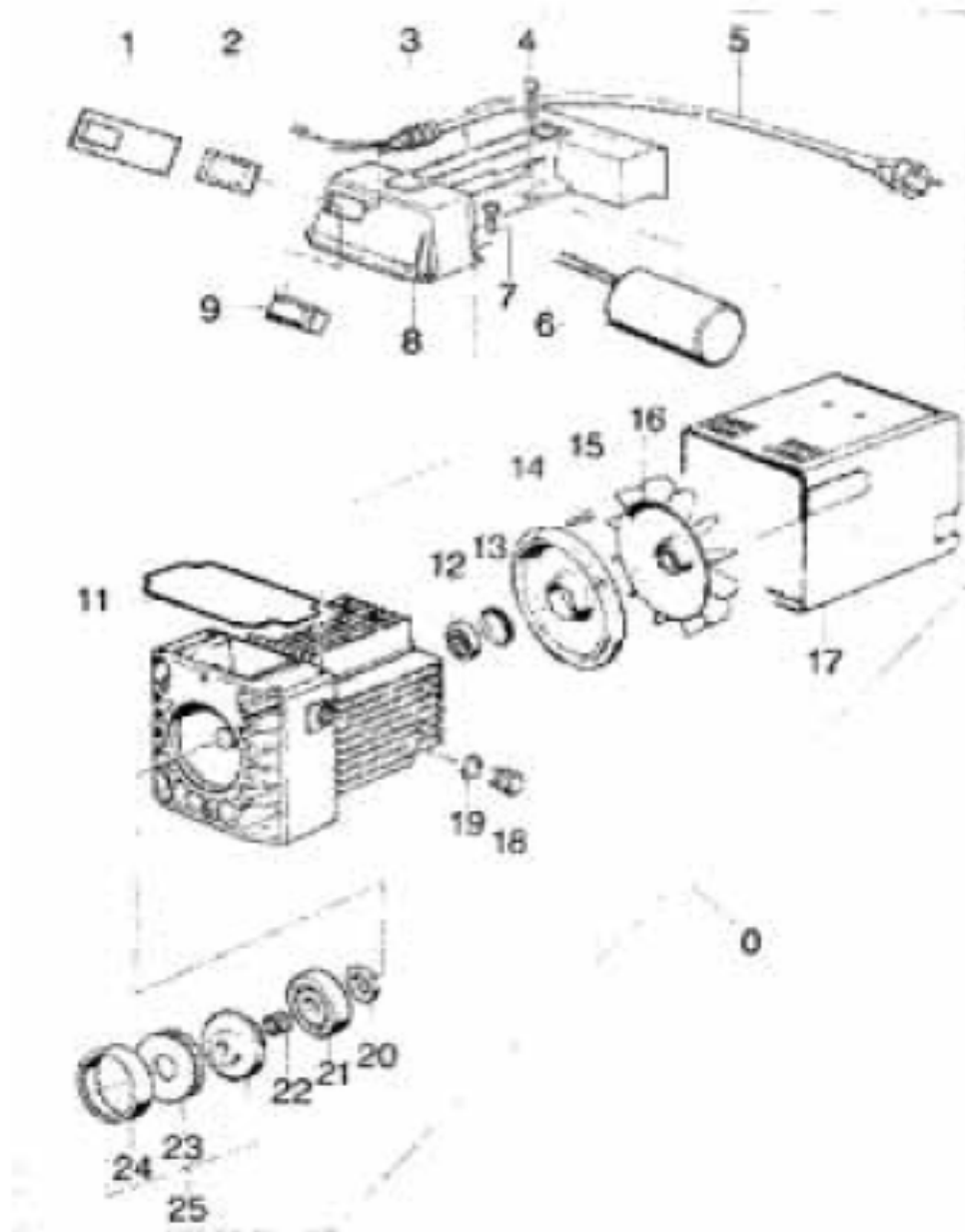
PARTS BREAKDOWN FOR HD645 (1.883-680.0)

Location	PN	DESCRIPTION	QTY	SERIAL #	
				FROM	TO
MOTOR 3.0 parts list					
1	5030-5480	Moulded Part	1		
2	6631-4690	Protective Cap	1		
3	6641-6680	Cable Connector	1		
4	7306-0110	Cheese Head Screw	2		
5	6641-7880	Cable	1		
6	6661-1430	Capicator	1		
7	7306-4460	Cheese Head Screw	4		
8	5321-2050	Handle	1		
9	6631-4890	Rocker Switch	1		
11	5365-1300	Seal	1		
12	7401-1340	Ball Bearing	1		
13	6343-0280	Tolerance Ring	1		
14	6612-1900	End Plate	1		
15	6303-0760	Self-Tapping Screw	4		
16	6612-1630	Blower Wheel	1		
17	5066-2580	Cover	1		
18	5411-0620	Closing Screw	1		
19	6362-5850	Seal	1		
20	7367-1500	Rotary Shaft Seal	1		
21	6401-3320	Angled Ball Bearing	1		
22	6343-0160	Tolerance Ring	1		
23	6401-1850	Axial Ball Bearing	1		
24	5015-0460	Profile Ring	1		
25	4120-1190	Swash Plate	1		

R J Bowers Distributors
 2003 Harrison Ave
 Rockford IL 61104
 E-mail: service@rjbowers.com
 Web: www.rjbowers.com
 (815) 399-8839 (800) 383-6584

PARTS BREAKDOWN FOR HD645 (1.883-680.0)

Location	PN	DESCRIPTION	QTY	SERIAL #	
				FROM	TO
MOTOR 3.0 diagram					



R J Bowers Distributors
 2003 Harrison Ave
 Rockford IL 61104
 E-mail: service@rjbowers.com
 Web: www.rjbowers.com
 (815) 399-8839 (800) 383-6584

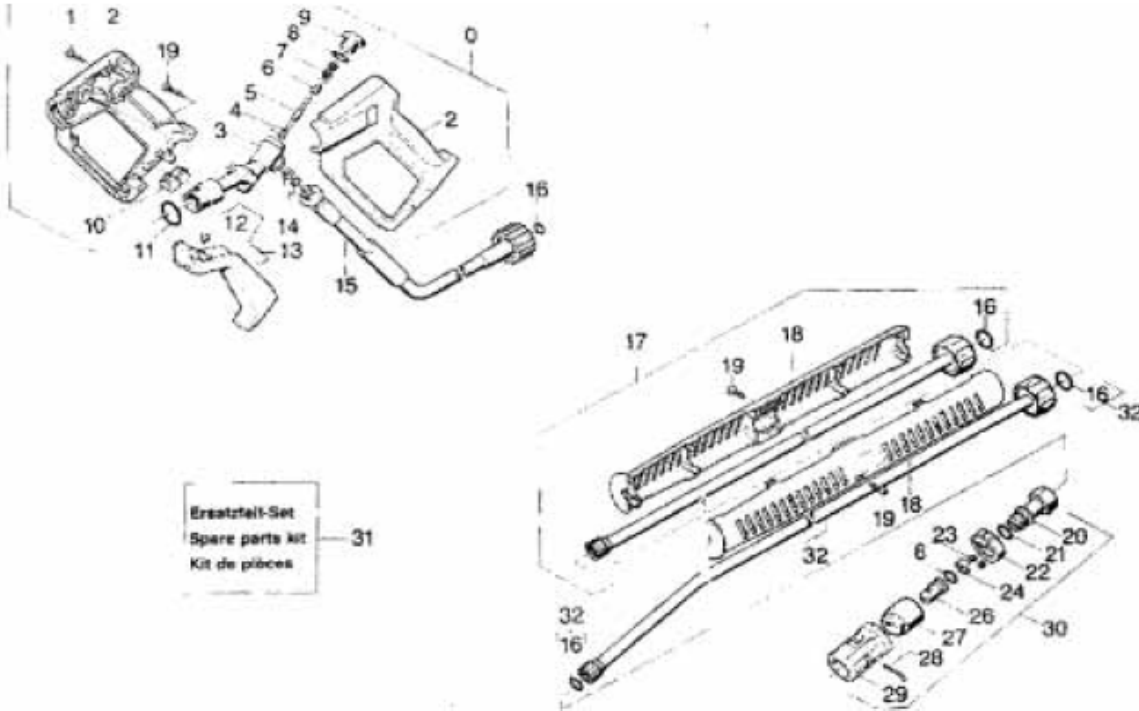
PARTS BREAKDOWN FOR HD645 (1.883-680.0)

Location	PN	DESCRIPTION	QTY	SERIAL #	
				FROM	TO
ACCESSORIES 4.0 parts list					
0	4775-0790	Trigger Gun	1		
1	6303-0240	Oval Head Screw	5		
2	5321-2060	Handles	1		
3	5427-1150	Manifold	1		
4	6362-5710	Gasket	1		
5	5107-0940	Bar	1		
6	5582-0580	Valve Disc	1		
7	5332-1570	Helical Spring	1		
8	6362-4800	Gasket	2		
9	5411-0670	Closing Screw	1		
10	5481-0520	Lever	1		
11	6362-4960	Gasket	1		
12	7307-4170	Threaded Pin	1		
13	4481-0500	Lever	1		
14	6363-1150	Gasket	1		
15	6389-8530	High Pressure Hose	1		
16	2880-2960	Spare Parts Kit	1		
17	4760-1830	Jet Pipe Lengthening	1		
18	5321-1500	Handle	1		
19	6303-0250	Oval Head Screw	2		
20	4402-0420	Screw Union	3		
21	6362-4600	Gasket	1		
22	5030-5280	Moulded Part	1		
23	7401-9020	Ball	1		
24	5042-4050	Bracket	2		
26	6415-4870	Triple Jet Nozzle	1		
27	5311-1170	Hex Nut	1		
28	5037-0590	Hook	1		
29	5394-2690	Protection Part	1		
30	4763-1060	Triple Jet Nozzle	1		
31	2883-0380	Spare Parts Kit	1		
32	4760-1820	Jet Pipe	1		

R J Bowers Distributors
 2003 Harrison Ave
 Rockford IL 61104
 E-mail: service@rjbowers.com
 Web: www.rjbowers.com
 (815) 399-8839 (800) 383-6584

PARTS BREAKDOWN FOR HD645 (1.883-680.0)

Location	PN	DESCRIPTION	QTY	SERIAL #	
				FROM	TO
ACCESSORIES 4.0 diagram					



R J Bowers Distributors
 2003 Harrison Ave
 Rockford IL 61104
 E-mail: service@rjbowers.com
 Web: www.rjbowers.com
 (815) 399-8839 (800) 383-6584