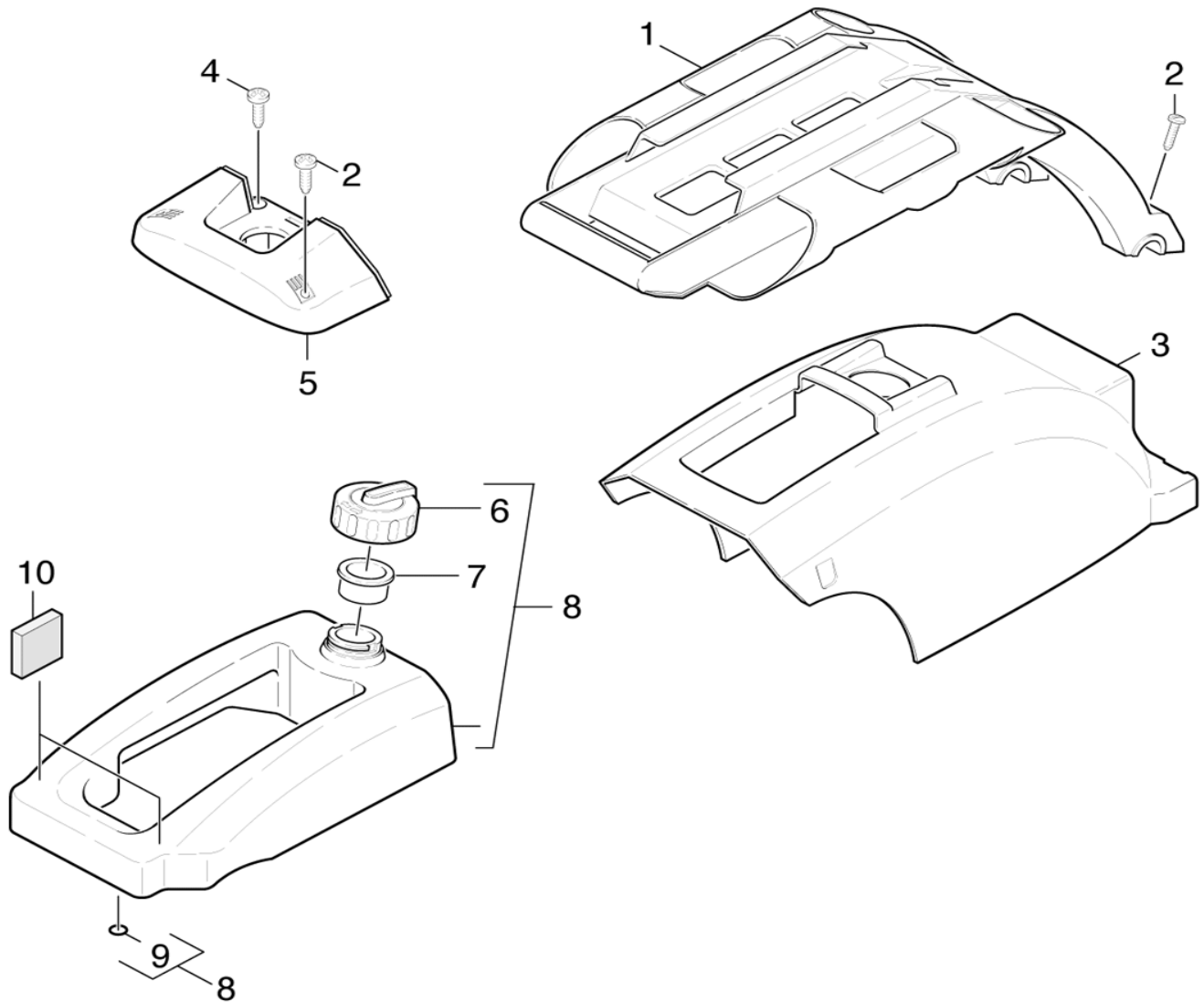


PARTS BREAKDOWN FOR HD625 (1.046-681.0)

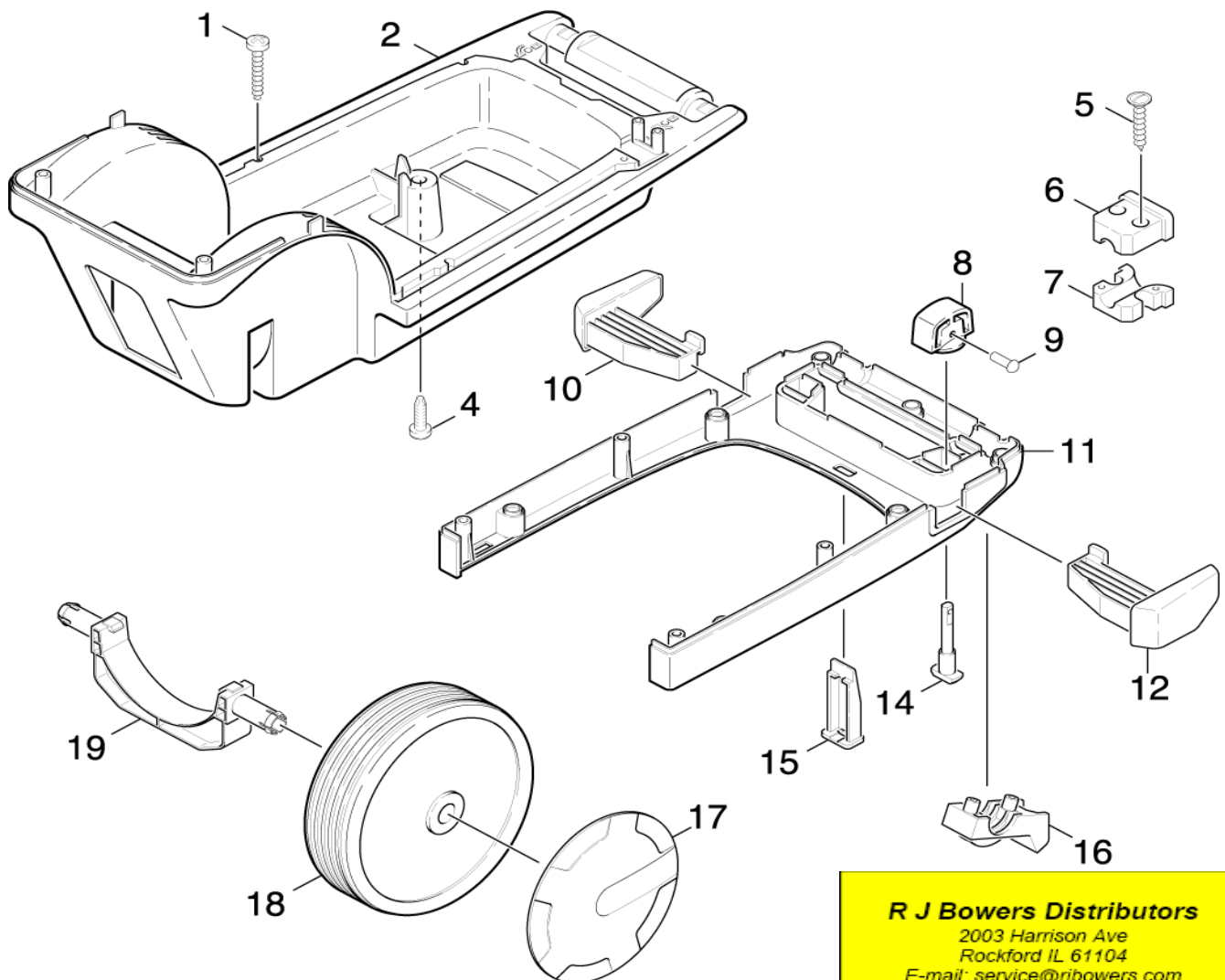
Location	PN	DESCRIPTION	QTY	SERIAL #	
				FROM	TO
PIECE PARTS - Top Part 1.1					
1	5034-6460	Strap	1		
2	6303-1250	Screw 5x20	6		
3	5066-7720	Cover	1		
4	7303-0470	Screw M6x16	2		
5	5030-9650	Tank Cover	1		
6	5063-5710	Cap	1		
7	5731-0440	Filter	1		
8	4071-0850	Tank Chemistry	1		
9	6362-0770	O-Ring Seal 10.0x2.2	1		
10	6273-1350	Strip of Gum	2		



R J Bowers Distributors
 2003 Harrison Ave
 Rockford IL 61104
 E-mail: service@rjbowers.com
 Web: www.rjbowers.com
 (815) 399-8839 (800) 383-6584

PARTS BREAKDOWN FOR HD625 (1.046-681.0)

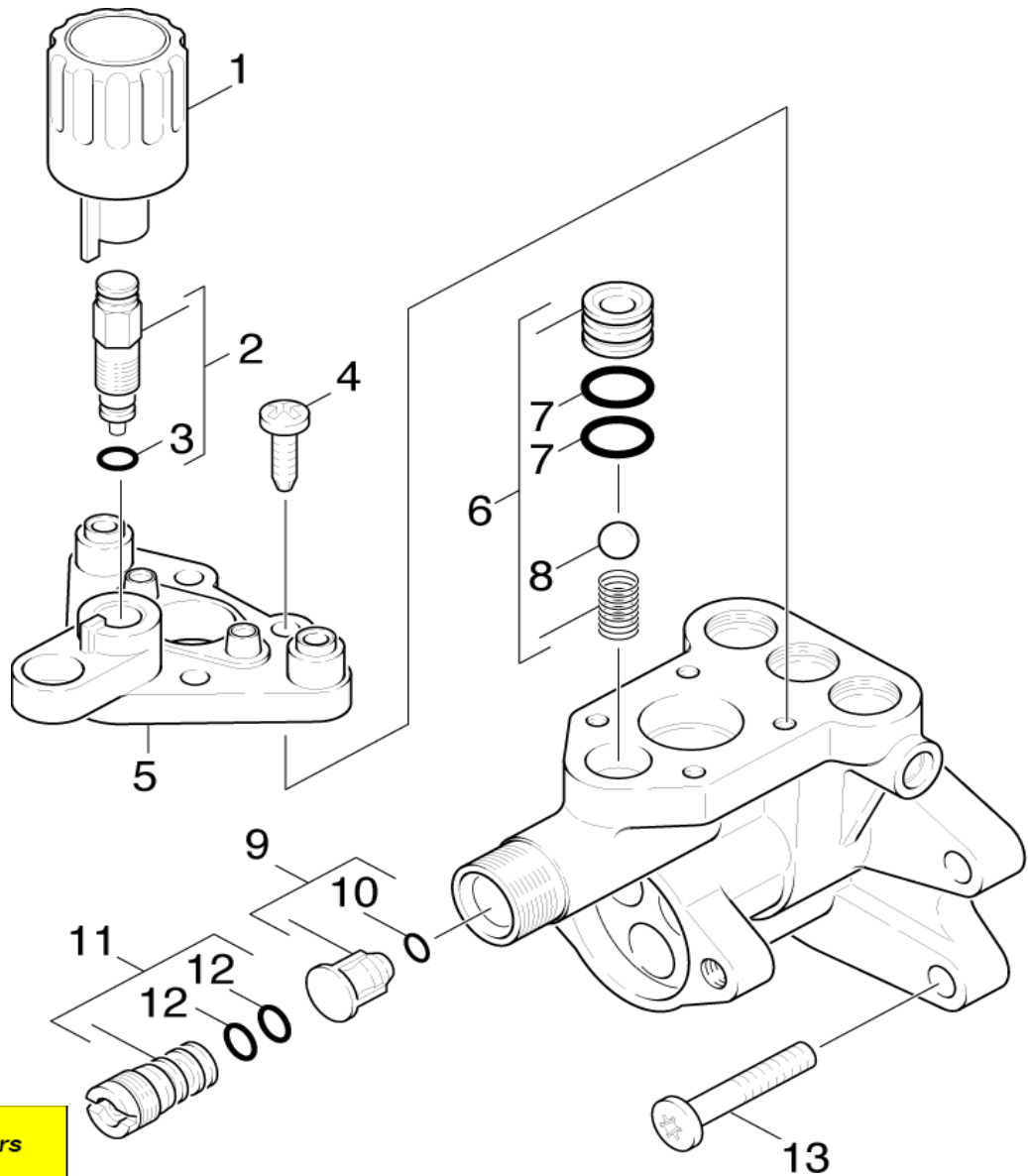
Location	PN	DESCRIPTION	QTY	SERIAL #	
				FROM	TO
PIECE PARTS - Bottom Part 1.2					
1	6303-1250	Screw 5x2	5		
2	5030-9520	Chassis	1		
3	7312-2760	Washer 6	4		
4	7303-0470	Screw M6x16	4		
5	6303-1990	Oval head screw 4,2x16.0	2		
6	5672-0310	Pull Relief	1		
7	5672-0320	Pull Relief	1		
8	5481-1420	Lever	2		
9	7314-8460	Grooved pin 3x12	2		
10	5030-9700	Moulded Part Holder	1		
11	5030-9510	Covering Cap Chassis	1		
12	5030-9690	Moulded Part Holder	1		
14	5316-3380	Bolt	2		
15	5030-9710	Moulded Part Holder	3		
16	5501-0440	Hinge	2		
17	6435-2340	Wheel Cap	2		
18	4515-0240	Wheel	2		
19	5105-1800	Axle	1		



R J Bowers Distributors
 2003 Harrison Ave
 Rockford IL 61104
 E-mail: service@rjbowers.com
 Web: www.rjbowers.com
 (815) 399-8839 (800) 383-6584

PARTS BREAKDOWN FOR HD625 (1.046-681.0)

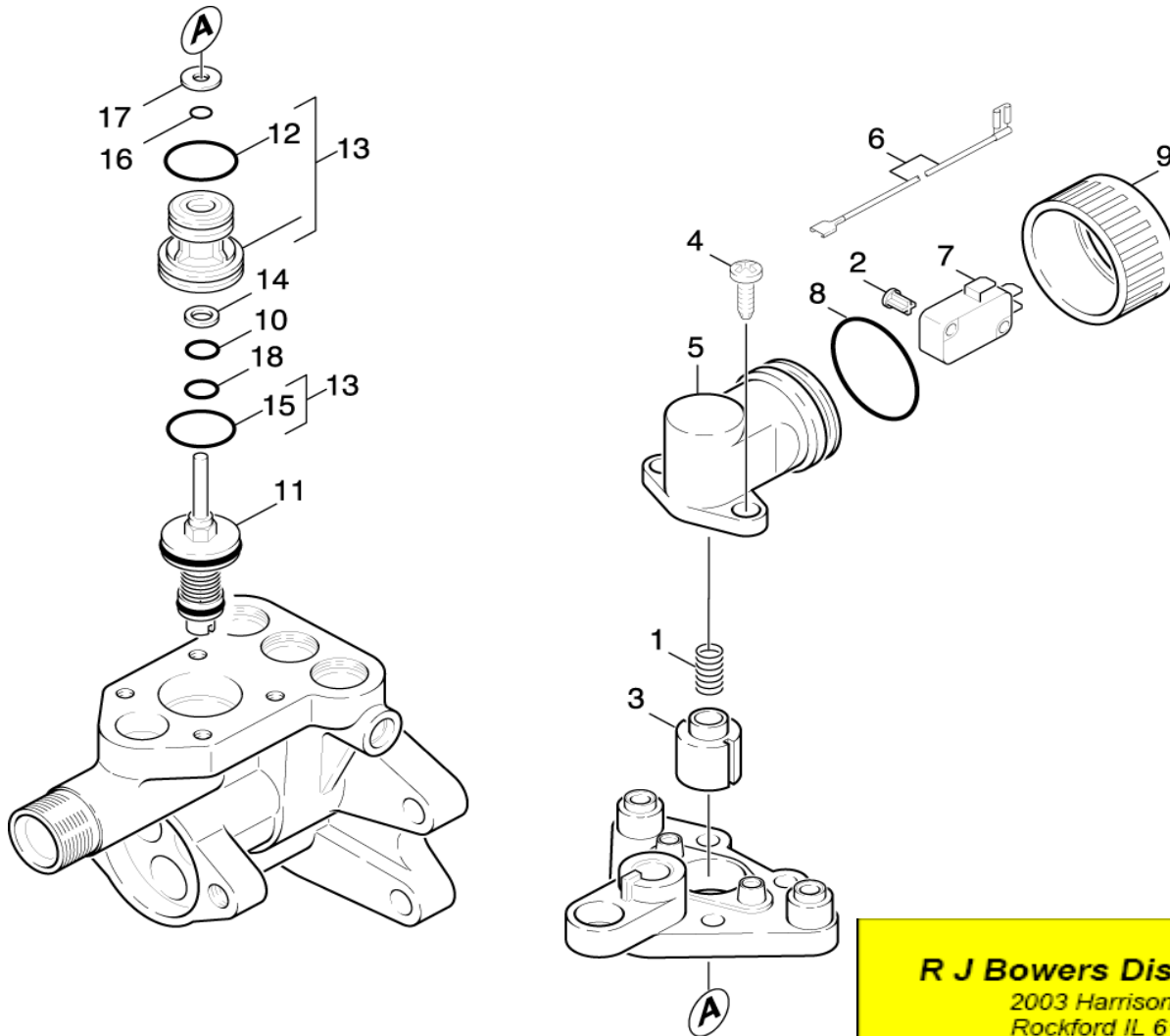
Location	PN	DESCRIPTION	QTY	SERIAL #	
				FROM	TO
PUMP - Chemistry 2.1					
1	5321-4510	Handhold Chemistry	1		
2	4291-0110	Spindle	1		
3	6362-8560	Gasket	1		
4	7303-0490	Screw M6x25	4		
5	5063-5620	Cover Housing	1		
6	2884-0190	Chemistry Set (Spare Parts Set)	1		
7	6362-1690	O-Ring Seal 12.0x2.0	2		
8	7401-9090	Sphere 7 G40 -1.4401	1		
9	4584-0220	Valve Pin w/O-Ring	1		
10	6362-8510	O-Ring Seal 4.0x2.0	1		
11	4769-0300	Nozzle Insert w/O-Rings	1		
12	6362-0540	O-Ring Seal 7.5x2.0	2		
13	7306-1480	Screw M8x60 -8.8	4		



R J Bowers Distributors
 2003 Harrison Ave
 Rockford IL 61104
 E-mail: service@rjbowers.com
 Web: www.rjbowers.com
 (815) 399-8839 (800) 383-6584

PARTS BREAKDOWN FOR HD625 (1.046-681.0)

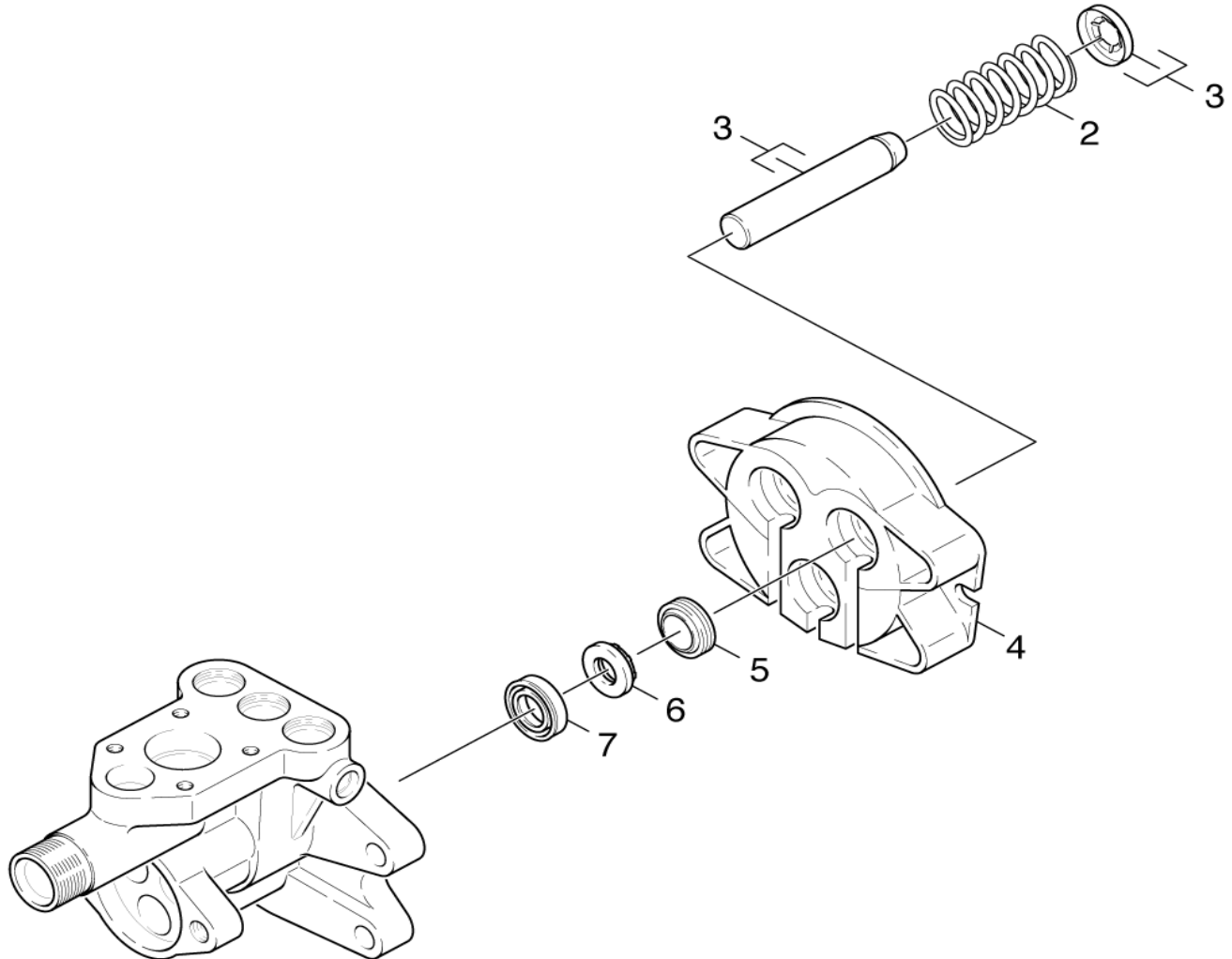
Location	PN	DESCRIPTION	QTY	SERIAL #	
				FROM	TO
PUMP - Spill Valve 2.2					
1	5332-3220	Spring	1		
2	5316-3390	Bolt	2		
3	5053-0620	Bracket	1		
4	7303-0390	Screw M5x16	2		
5	5042-8560	Holder	1		
6	6647-5110	Cable Black AWG16x150mm	1		
7	6631-7590	Micro Switch	1		
8	6362-8500	Gasket	1		
9	5110-5540	Sleeve	1		
11	4580-2870	Spill (Unloader) Valve	1		
12	6362-4270	O-Ring Seal 15.0x2.0	1		
13	4030-0460	Moulded Part Complete only for replacement	1		
14	6362-8520	O-Ring Seal Complete 3.69	1		
15	6506-0170	Gasket	1		
16	6506-0190	O-Ring Seal 3.68x1.78	1		
17	5115-5970	Washer	1		
18	6362-9080	Gasket	1		



R J Bowers Distributors
 2003 Harrison Ave
 Rockford IL 61104
 E-mail: service@rjbowers.com
 Web: www.rjbowers.com
 (815) 399-8839 (800) 383-6584

PARTS BREAKDOWN FOR HD625 (1.046-681.0)

Location	PN	DESCRIPTION	QTY	SERIAL #	
				FROM	TO
PUMP - Piston 2.3					
2	5332-2510	Piston Spring	3		
3	4553-1490	Piston	3		
4	5060-3490	Housing Thrust (Piston) Guidance	1		
5	6365-3400	Grooved Ring / Oil Seal 14x22x5/7	3		
6	5115-4710	Washer	3		
7	6365-3410	U & V Ring / Water Seal	3		



R J Bowers Distributors

2003 Harrison Ave
Rockford IL 61104

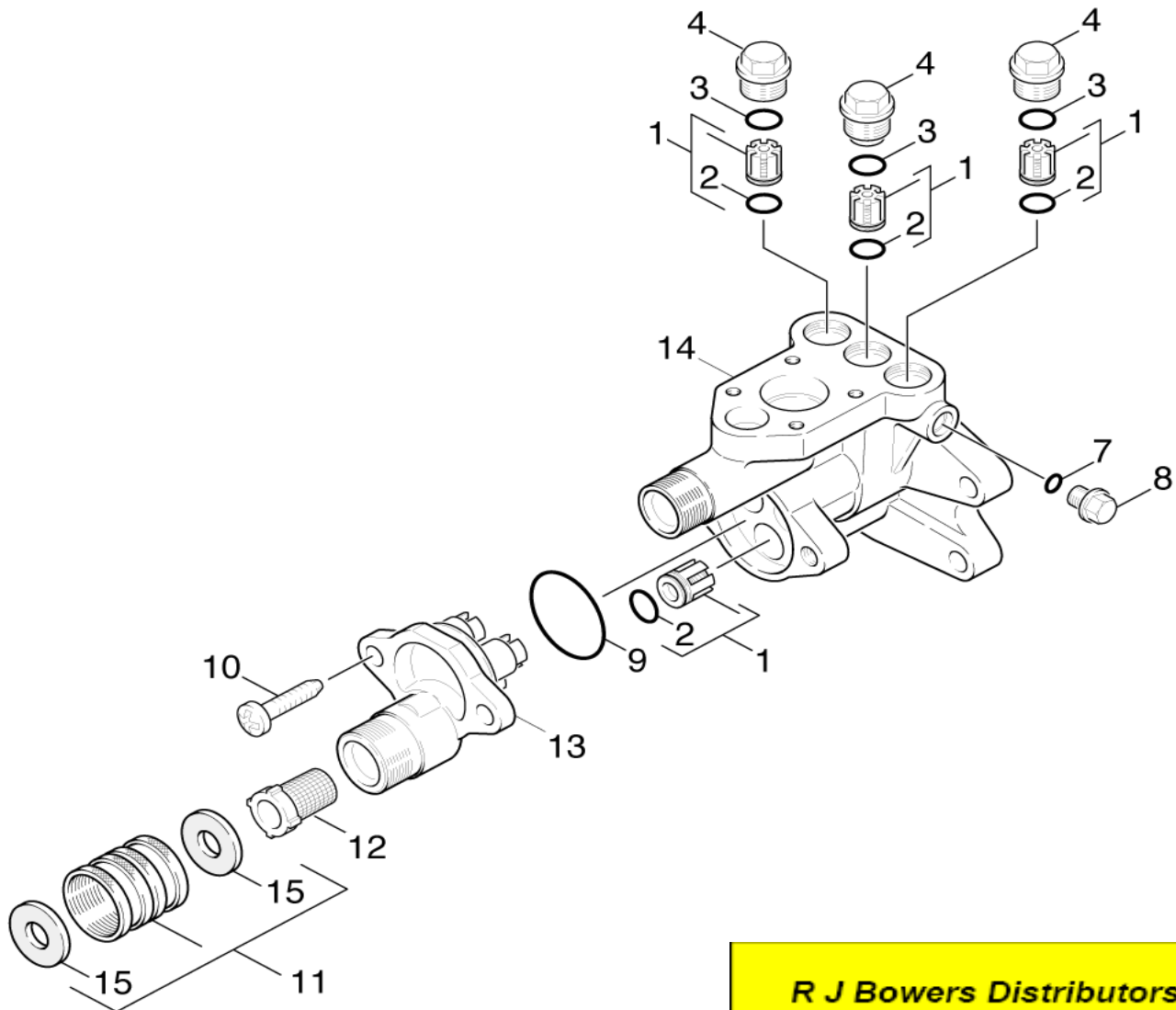
E-mail: service@rjbowers.com

Web: www.rjbowers.com

(815) 399-8839 (800) 383-6584

PARTS BREAKDOWN FOR HD625 (1.046-681.0)

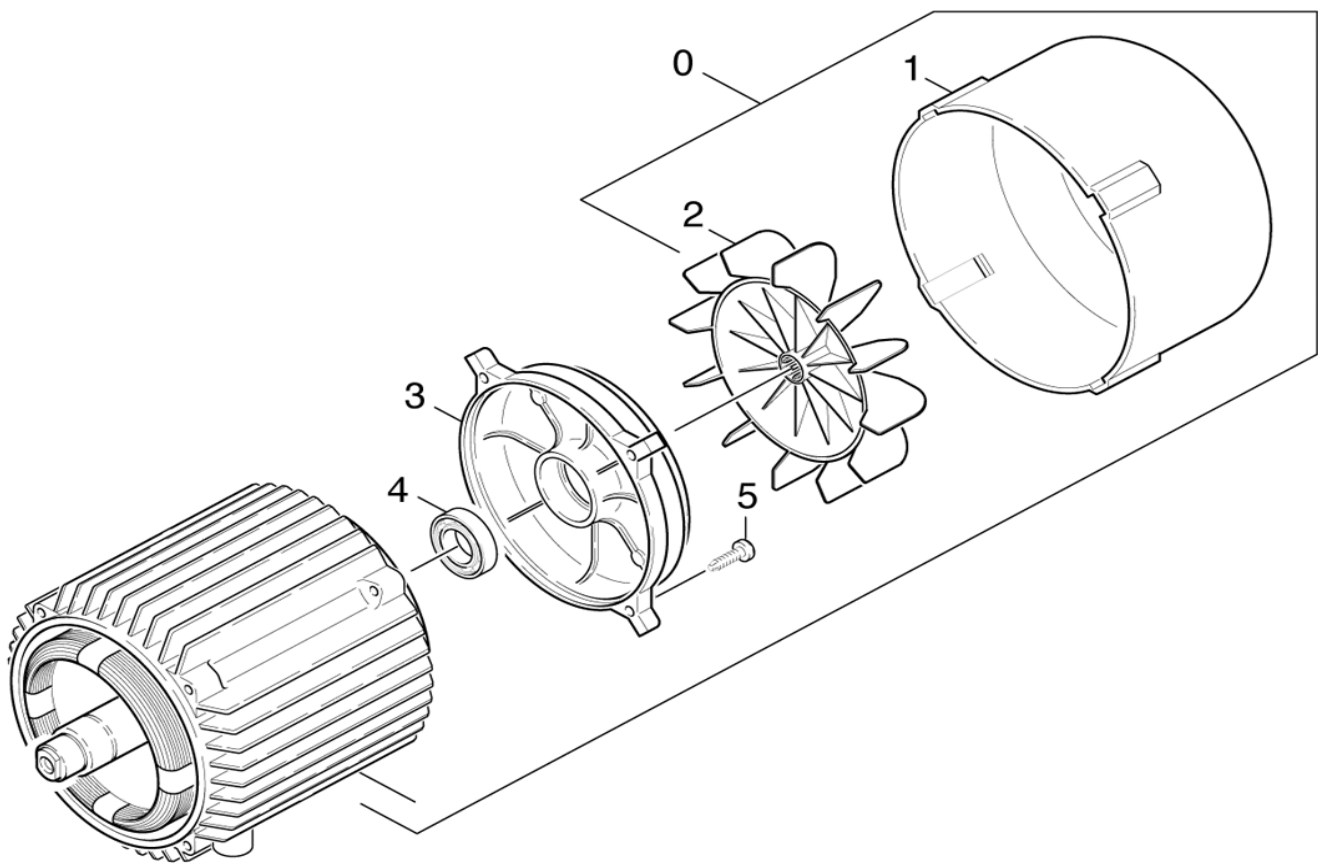
Location	PN	DESCRIPTION	QTY	SERIAL #	
				FROM	TO
PUMP - Cylinder Head 2.4					
1	2884-9150	Valve (3 Pack)	1		
2	6362-8450	O-Ring Seal 10.82x1.78	6		
3	6362-1700	O-Ring Seal 11.3x2.4	3		
4	5583-1390	Valve Screw	2		
5	5583-1430	Valve Screw	1		
7	6362-1130	O-Ring Seal 6.0x2.0	1		
8	5411-1130	Closing Screw	1		
9	6362-0920	O-Ring Seal 36.0x2.0	1		
10	7303-0680	Screw M8x20	2		
11	6386-4630	Screw Connector	1		
12	6414-2520	Strainer	1		
13	5063-6440	Cover	1		
14	5550-2170	Cylinder Head HD625	1		
15	5364-1290	Flat Gasket	2		



R J Bowers Distributors
 2003 Harrison Ave
 Rockford IL 61104
 E-mail: service@rjbowers.com
 Web: www.rjbowers.com
 (815) 399-8839 (800) 383-6584

PARTS BREAKDOWN FOR HD625 (1.046-681.0)

Location	PN	DESCRIPTION	QTY	SERIAL #	
				FROM	TO
MOTOR - Ventilation 3.1					
0	4623-2590	Motor Complete	1		
1	5692-0270	Circulation Mat	1		
2	5600-0380	Blower Wheel	1		
3	5093-0110	End Plate	1		
4	7401-1050	Ball bearing 6003-2RS	1		
5	7303-0410	Screw M5x20	4		

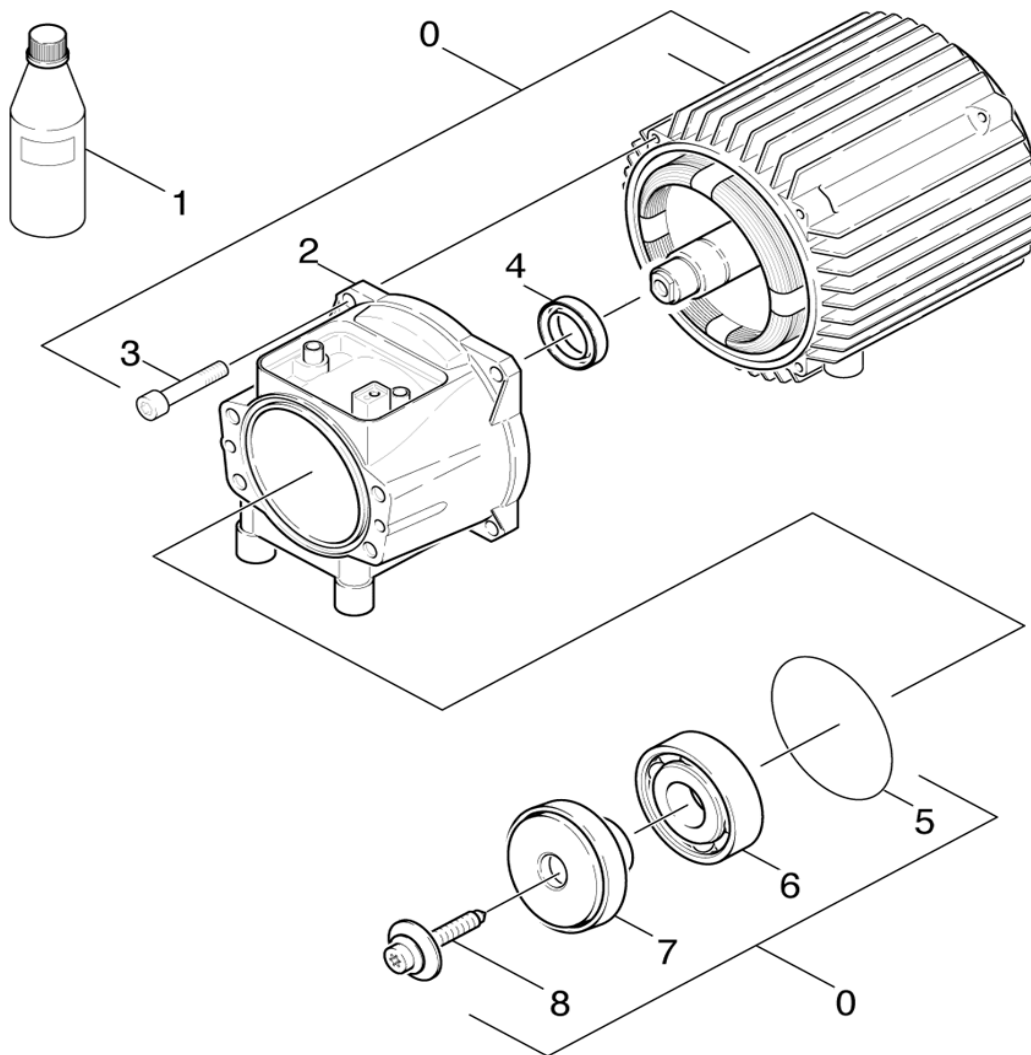


R J Bowers Distributors

2003 Harrison Ave
 Rockford IL 61104
 E-mail: service@rjbowers.com
 Web: www.rjbowers.com
 (815) 399-8839 (800) 383-6584

PARTS BREAKDOWN FOR HD625 (1.046-681.0)

Location	PN	DESCRIPTION	QTY	SERIAL #	
				FROM	TO
MOTOR - Actuation 3.2					
0	4623-2590	Motor Complete	1		
1	6288-0500	Pump Oil 1L (15w-40)	1		
2	5093-0100	End Plate	1		
3	6303-2140	Self-tapping Screw M5x30	4		
4	7367-0180	Radial Shaft Seal Ring A26x37x7	1		
5	6362-4710	O-Ring Seal 80.0x3.0	1		
6	9087-0100	Ball Bearing	1		
7	6401-1970	Swash Plate	1		
8	6304-0480	Cylinder Head Screw M6x19	1		



R J Bowers Distributors

2003 Harrison Ave
Rockford IL 61104

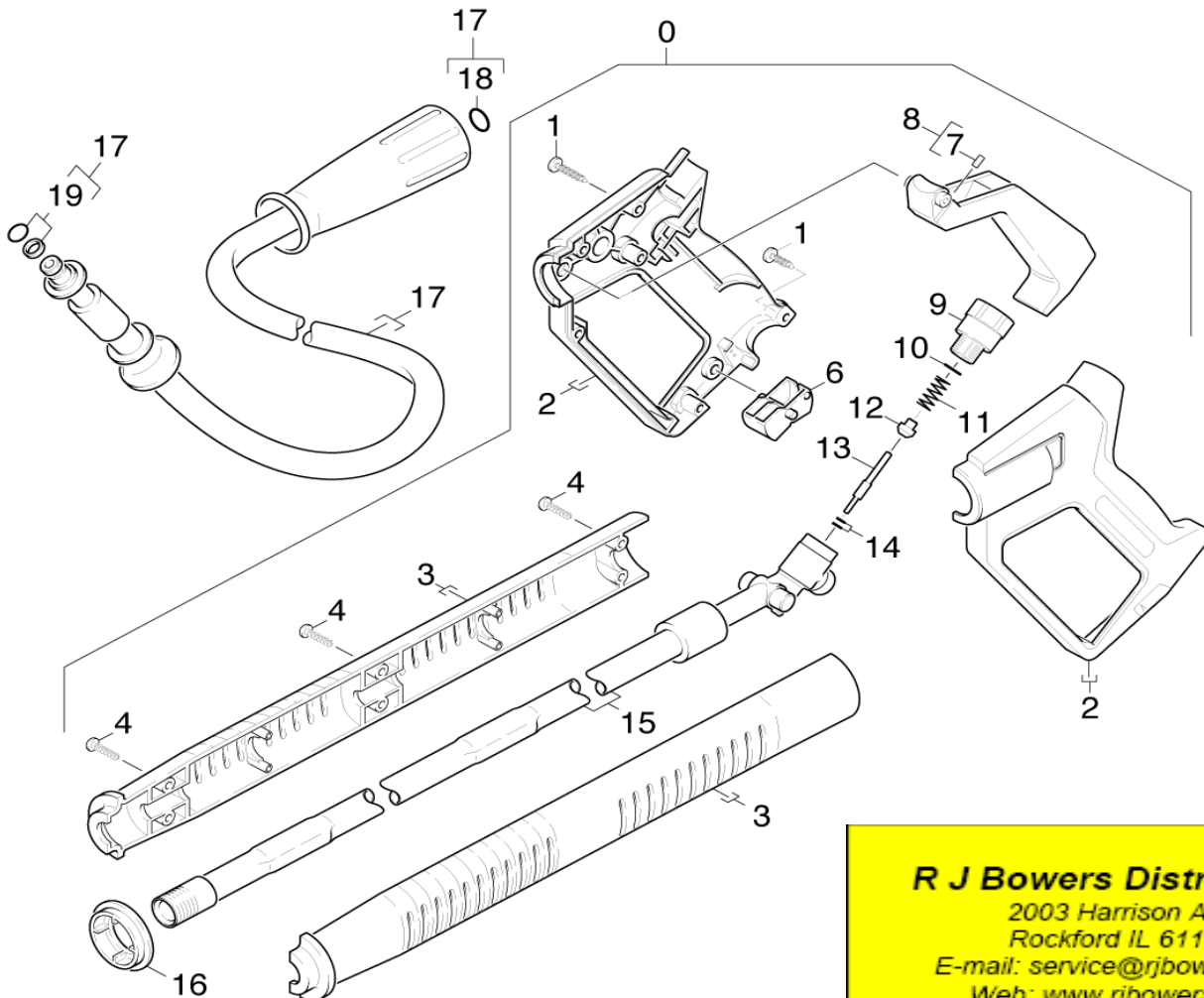
E-mail: service@rjbowers.com

Web: www.rjbowers.com

(815) 399-8839 (800) 383-6584

PARTS BREAKDOWN FOR HD625 (1.046-681.0)

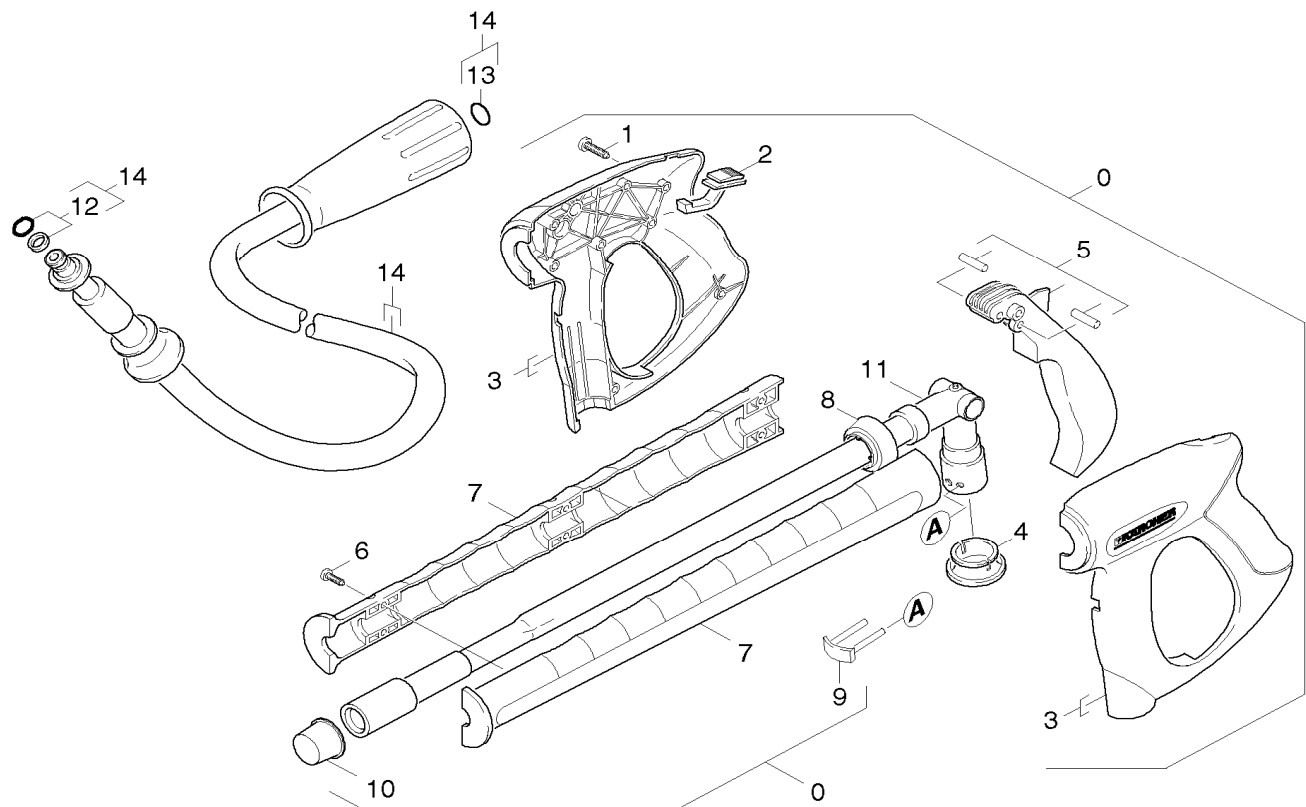
Location	PN	DESCRIPTION	QTY	SERIAL #	
				FROM	TO
ACCESSORIES - Trigger Gun 4.1					
0		Trigger Gun No Longer Available	1		
1	7303-0960	Screw 4x22	6		
2	5321-5900	Handhold Few	1		
3	5321-6910	Handhold Few Jet Pipe	1		
4	6303-0250	Oval Head Screw 4.2x16	7		
6	5481-0520	Lever	1		
7	7307-4170	Threaded Pin M8x16	1		
8	4481-0500	Lever	1		
9	6421-2160	Pressure Gauge	1		
10	6362-5840	O-Ring	1		
11	5332-1570	Helical Spring	1		
12	5582-0580	Valve Disc	1		
13	5107-2590	Bar	1		
14	6362-5710	O-Ring Seal Complete	1		
15	4427-1830	Manifold	1		
16	5031-2590	Moulded Part	1		
17	6389-8530	High Pressure Hose DN6	1		
18	2880-9900	O-Ring Seal 10.0x2.0 (5 Pack)	1		
19	6363-1150	O-Ring Seal Complete	1		



R J Bowers Distributors
 2003 Harrison Ave
 Rockford IL 61104
 E-mail: service@rjbowers.com
 Web: www.rjbowers.com
 (815) 399-8839 (800) 383-6584

PARTS BREAKDOWN FOR HD625 (1.046-681.0)

Location	PN	DESCRIPTION	QTY	SERIAL #	
				FROM	TO
ACCESSORIES - Trigger Gun 4.2					
0	4775-5540	Hand Trigger Gun Low End Nippel 10	1		
1	7303-0960	Screw 4x22	7		
2	5481-3310	Slider	1		
3	5321-6690	Handhold Few	1		
4	5110-5960	Sleeve	1		
5	4481-2090	Lever Complete	1		
6	7303-1290	Screw 4x16	6		
7	5321-6910	Handhold Few Jet Pipe	1		
8	5032-8010	Moulded Part	1		
9	4037-0130	Hook	1		
10	6368-0120	Protecting Cap 22x1.5	1		
11	4427-3160	Manifold Complete only for replacement	1		
12	6363-1150	O-Ring Seal Complete	1		
13	2880-9900	O-Ring Seal 10.0x2.0 (5 Pack)	1		
14	6389-8530	High Pressure Hose DN6	1		



R J Bowers Distributors

2003 Harrison Ave
Rockford IL 61104

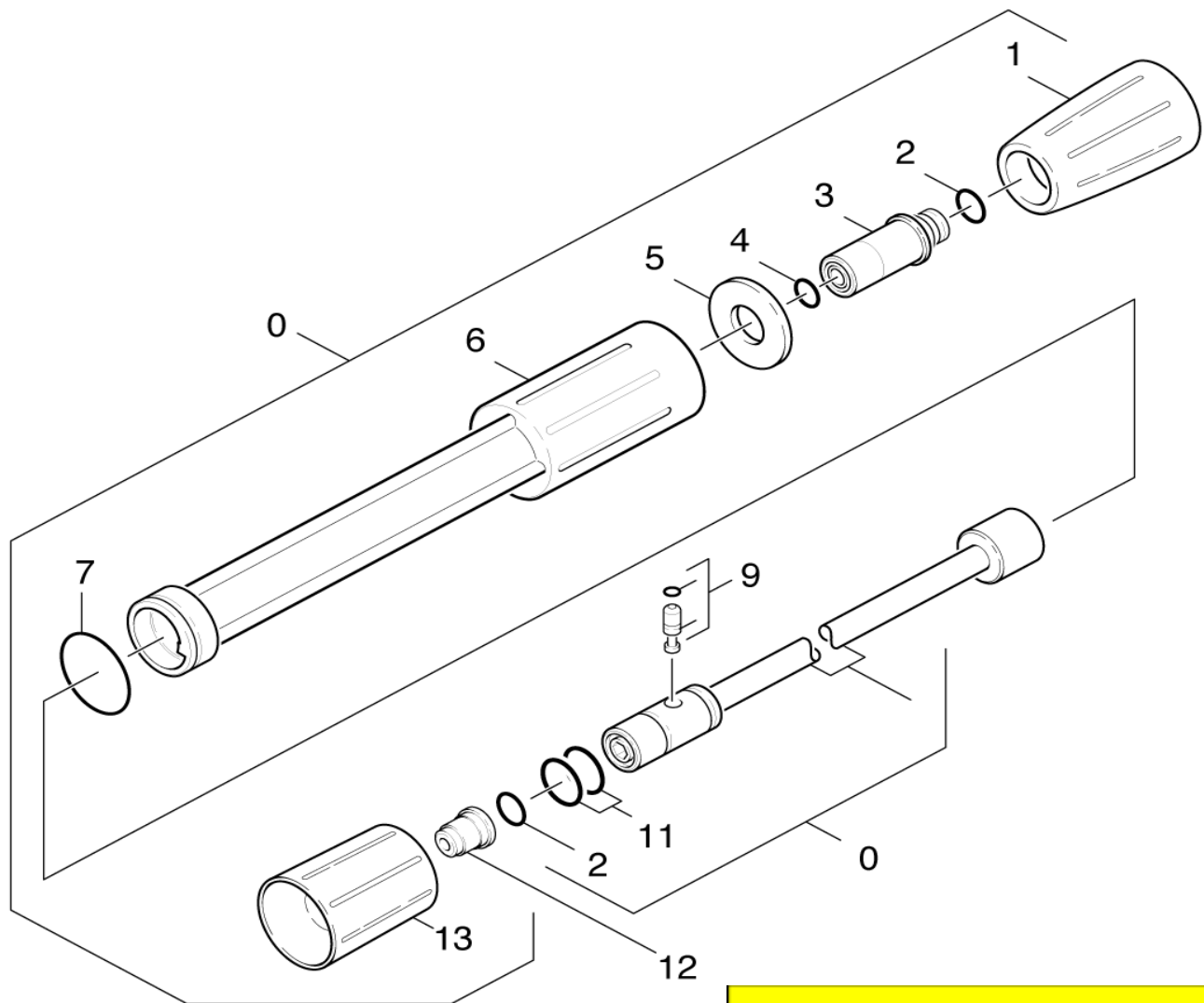
E-mail: service@rjbowers.com

Web: www.rjbowers.com

(815) 399-8839 (800) 383-6584

PARTS BREAKDOWN FOR HD625 (1.046-681.0)

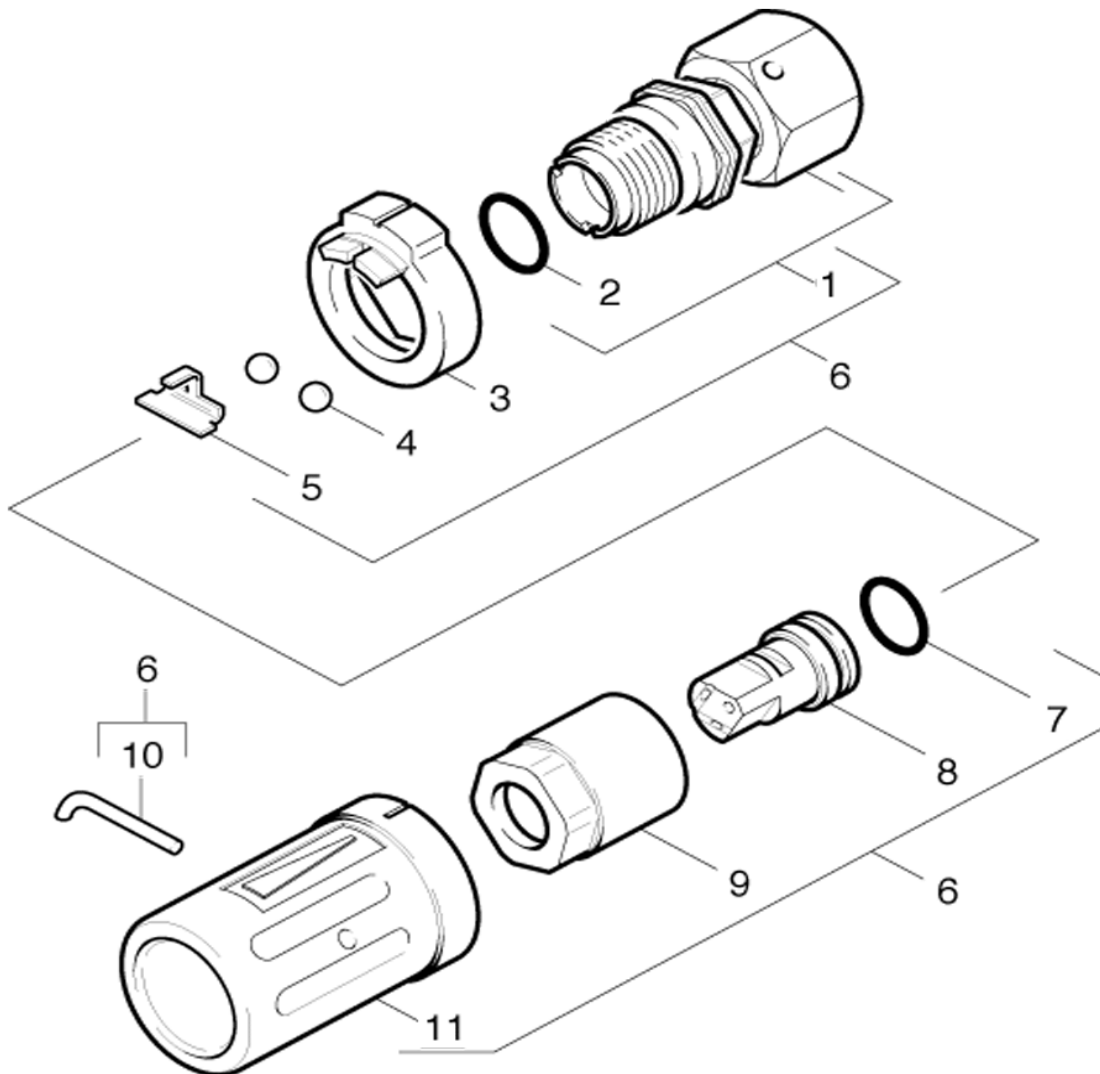
Location	PN	DESCRIPTION	QTY	SERIAL #	
				FROM	TO
ACCESSORIES - Jet Pipe 4.3					
0	4760-3870	Lance	1		
1	5401-2160	Screw Connector Part	1		
2	2880-1540	O-Ring Kit	2		
3	5424-1110	Sealing Cone	1		
4	6362-3840	O-Ring Seal 9.0x1.5	1		
5	5115-6950	Washer	1		
6	5321-5200	Handle	1		
7	6362-9520	O-Ring Seal 27.0x2.0	1		
9	4553-1740	Piston Complete only for replacement	1		
11	6362-4810	O-Ring Seal 14.0x2.0	2		
12	2883-8030	Power Nozzle 25034	1		
13	5401-2170	Screw Connector Part	1		



R J Bowers Distributors
 2003 Harrison Ave
 Rockford IL 61104
 E-mail: service@rjbowers.com
 Web: www.rjbowers.com
 (815) 399-8839 (800) 383-6584

PARTS BREAKDOWN FOR HD625 (1.046-681.0)

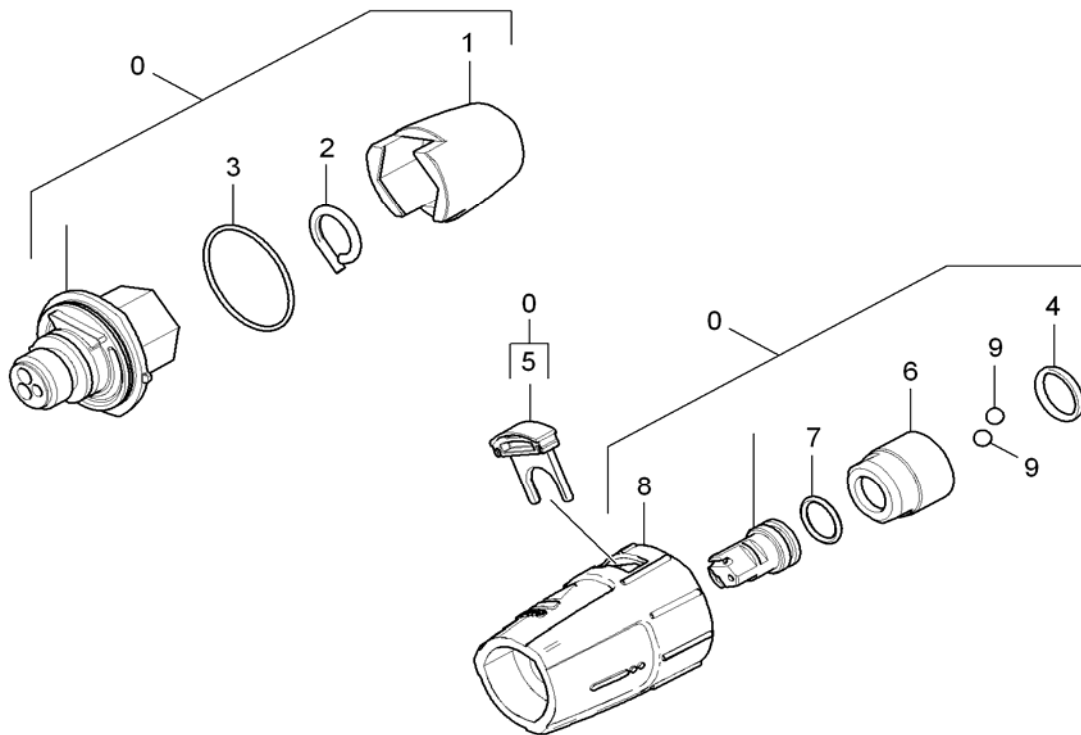
Location	PN	DESCRIPTION	QTY	SERIAL #	
				FROM	TO
ACCESSORIES - Triple Jet 4.4					
1	4402-0420	Screw Union	1		
2	6362-4600	O-Ring Seal 14.0x2.5	1		
3	5030-5280	Moulded Part	1		
4	7401-9020	Sphere 5 G20 -1.4034	2		
5	5042-4050	Holder	1		
6		Triple Jet Nozzle 038 No Longer Available	1		
7	6362-4800	O-Ring Seal 12.42x1.78	1		
8	6415-5530	Triple Jet Nozzle 038	1		
9	5311-1170	Hexagon Nut	1		
10	5037-0590	Hook	1		
11	5394-2690	Protection Part	1		



R J Bowers Distributors
 2003 Harrison Ave
 Rockford IL 61104
 E-mail: service@rjbowers.com
 Web: www.rjbowers.com
 (615) 399-8839 (800) 383-6584

PARTS BREAKDOWN FOR HD625 (1.046-681.0)

Location	PN	DESCRIPTION	QTY	SERIAL #	
				FROM	TO
ACCESSORIES - Triple Jet 4.5					
0	4767-1490	Triple Jet Nozzle 038	1		
1	5394-5300	Protection part	1		
2	6343-1500	Pin 03	1		
3	6362-4090	O-Ring Seal 32.0x1.5	1		
4	6362-4600	O-Ring Seal 14.0x2.5	1		
5	5321-8840	Clamp	1		
6	5311-2250	Nut	1		
7	6362-4800	O-Ring Seal 12.42x1.78	1		
8	5394-8400	Protection Part	1		
9	7401-9020	Sphere 5 G20 -1.4034	2		



R J Bowers Distributors

2003 Harrison Ave
Rockford IL 61104

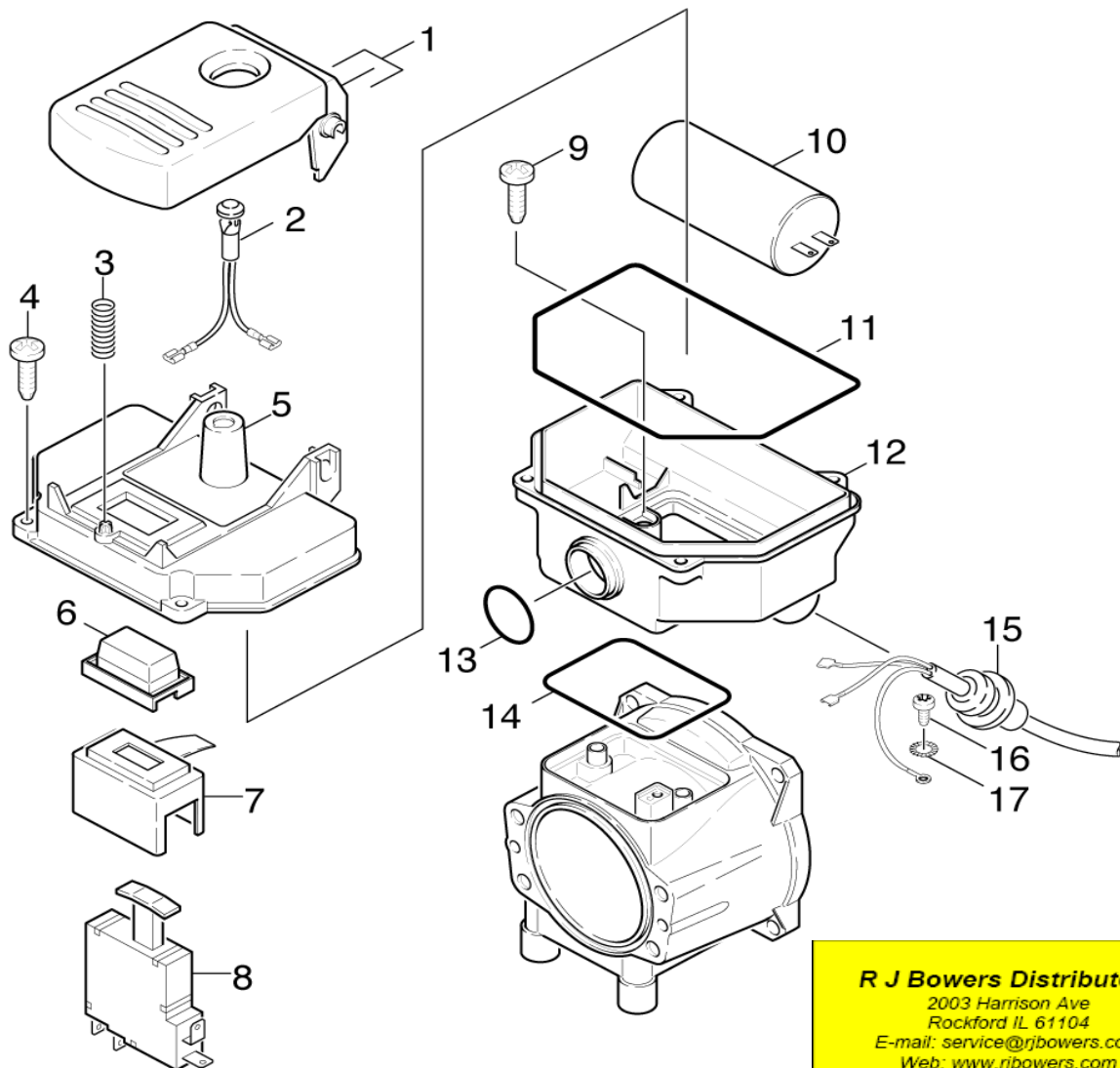
E-mail: service@rjbowers.com

Web: www.rjbowers.com

(815) 399-8839 (800) 383-6584

PARTS BREAKDOWN FOR HD625 (1.046-681.0)

Location	PN	DESCRIPTION	QTY	SERIAL #	
				FROM	TO
ELECTRICAL BOX 5.0					
1	4324-0100	Calipers	1		
2	6651-3280	Pilot Lamp	1		
3	5332-3140	Spring	1		
4	6303-1250	Screw 5x20	4		
5	5063-6270	Cover Electric Box	1		
6	6631-5500	Water Protection Box	1		
7	5053-0610	Bracket	1		
8	6631-8000	Switch	1		
9	7303-0480	Screw M6x20	2		
10	6661-1770	Capacitor	1		
11	6273-0700	Seal String Cellular Rubber 4	1		
12	5811-1050	Electric Box	1		
13	6362-8500	Gasket	1		
14	6362-8870	O-Ring Seal 65.0x2.5	1		
15	6647-0090	Cable	1		
16	7303-0310	Screw M4x10	1		
17	7312-1630	Toothed Lock Washer A4.3	1		



R J Bowers Distributors
 2003 Harrison Ave
 Rockford IL 61104
 E-mail: service@rjbowers.com
 Web: www.rjbowers.com
 (815) 399-8839 (800) 383-6584