

Spare parts list
(5.955-524.0) Spare parts list HD 585

Table of contents

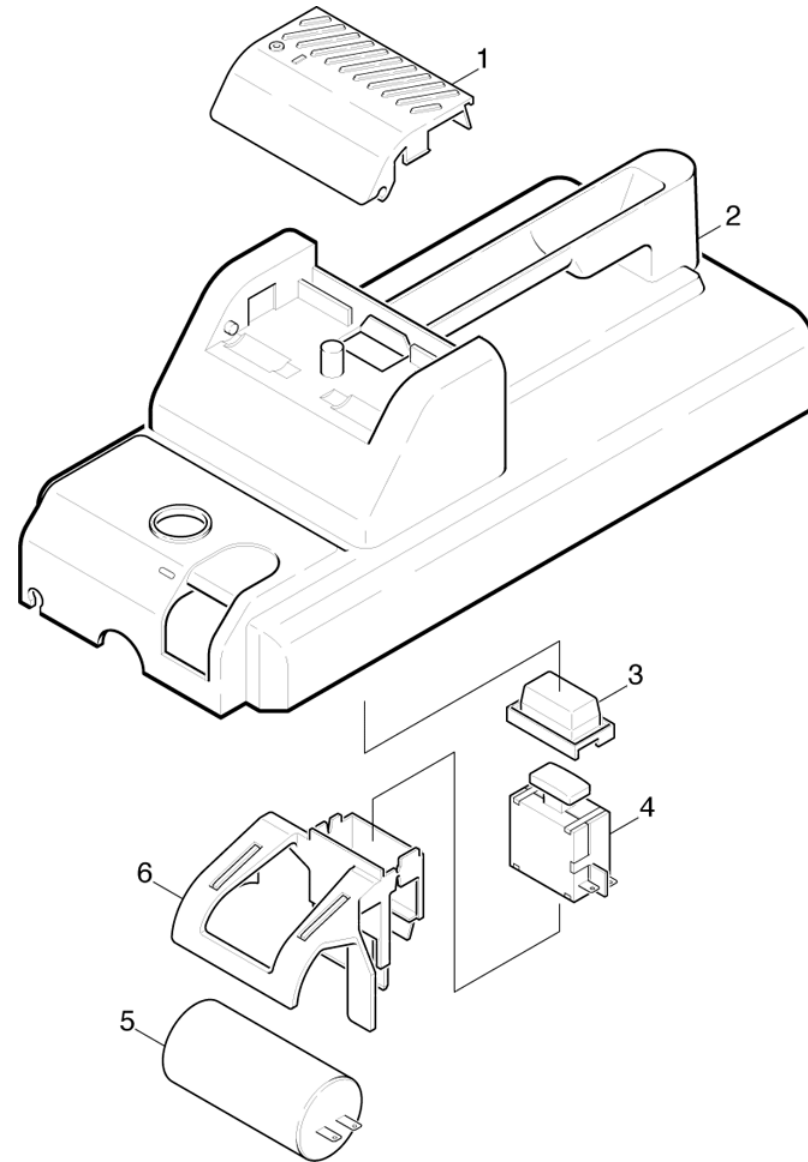
Spare parts list HD 585 (5.955-524.0)	6
10 Individual parts (0.101-779.0).....	7
11 Top part (0.101-780.0).....	8
12 Cable (0.101-781.0).....	10
13 Bottom part (0.101-619.0)	12
20 Pump set (0.106-650.0).....	14
21 Cylinder head (0.106-638.0).....	15
22 Chemistry (0.106-639.0)	17
23 Valves (0.106-640.0).....	19
24 Piston (0.106-651.0)	21
25 Water connection (0.106-652.0).....	23
30 Motor (0.111-666.0)	25
31 Ventilation (0.111-667.0).....	26
32 Transmission (0.111-668.0)	28
40 Accessories (0.146-605.0)	30
41 Hand trigger gun (0.147-384.0).....	31
18 Spare part set O-Ring seal 5x (2.880-296.0)	33
42 Hand trigger gun (0.103-345.0).....	34
13 Spare part set O-Ring seal 5x (2.880-296.0)	36
43 Jet pipe (0.146-457.0)	37
1 Spare part set O-Ring seal 5x (2.880-296.0)	39
44 Nozzle (0.146-580.0)	40
45 Nozzle (0.103-715.0)	42

Spare parts list HD 585 (5.955-524.0)

Pos	Material #	Name	Qty.	Unit	from ser.nr.	up to ser.nr.
10	0.101-779.0	Individual parts	1.000	ST	0000000000	0000000000
20	0.106-650.0	Pump set	1.000	ST	0000000000	0000000000
30	0.111-666.0	Motor	1.000	ST	0000000000	0000000000
40	0.146-605.0	Accessories	1.000	ST	0000000000	0000000000

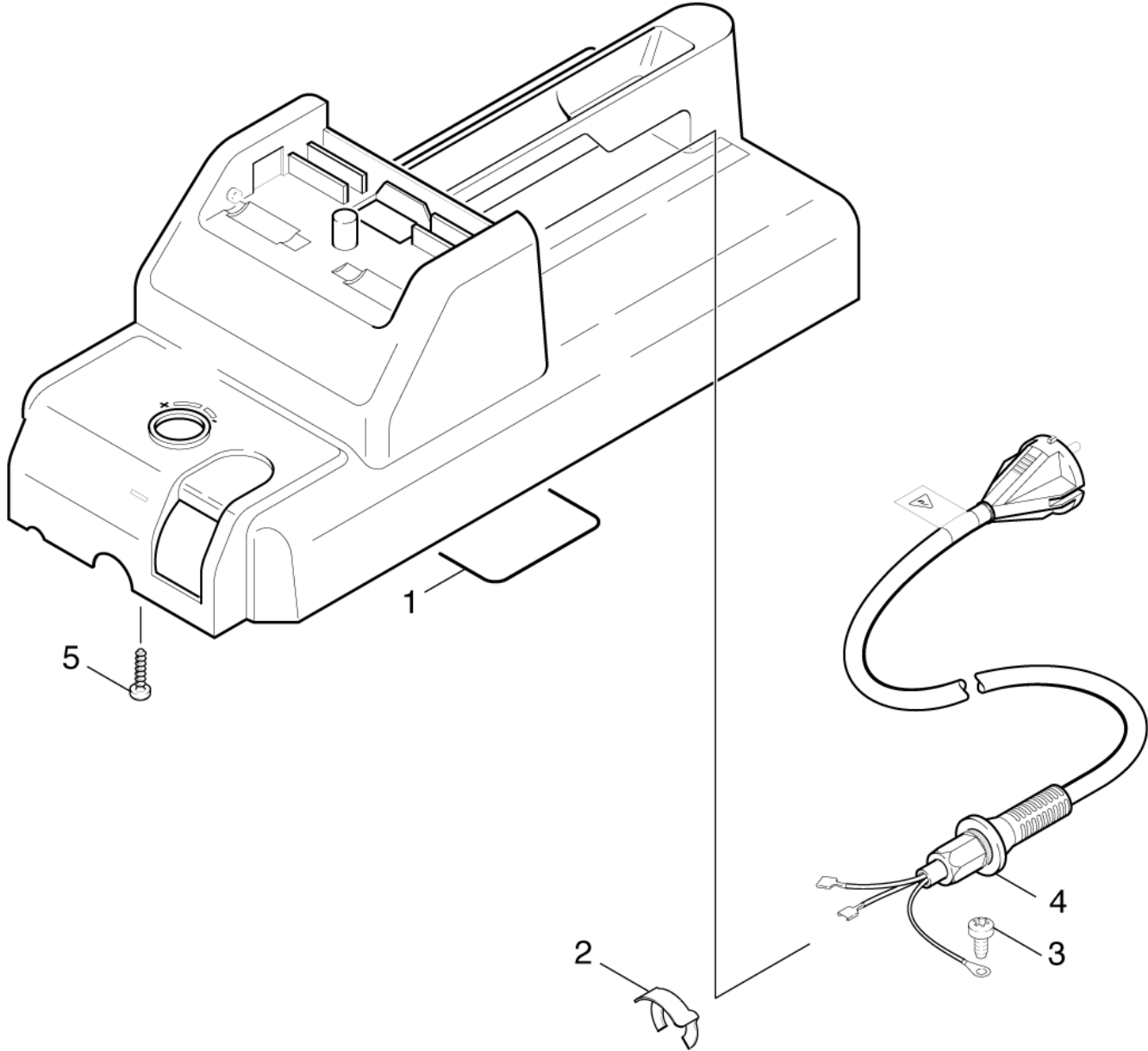
10 Individual parts (0.101-779.0)

Pos	Material #	Name	Qty.	Unit	from ser.nr.	up to ser.nr.
11	0.101-780.0	Top part	1.000	ST	0000000000	0000000000
12	0.101-781.0	Cable	1.000	ST	0000000000	0000000000
13	0.101-619.0	Bottom part	1.000	ST	0000000000	0000000000



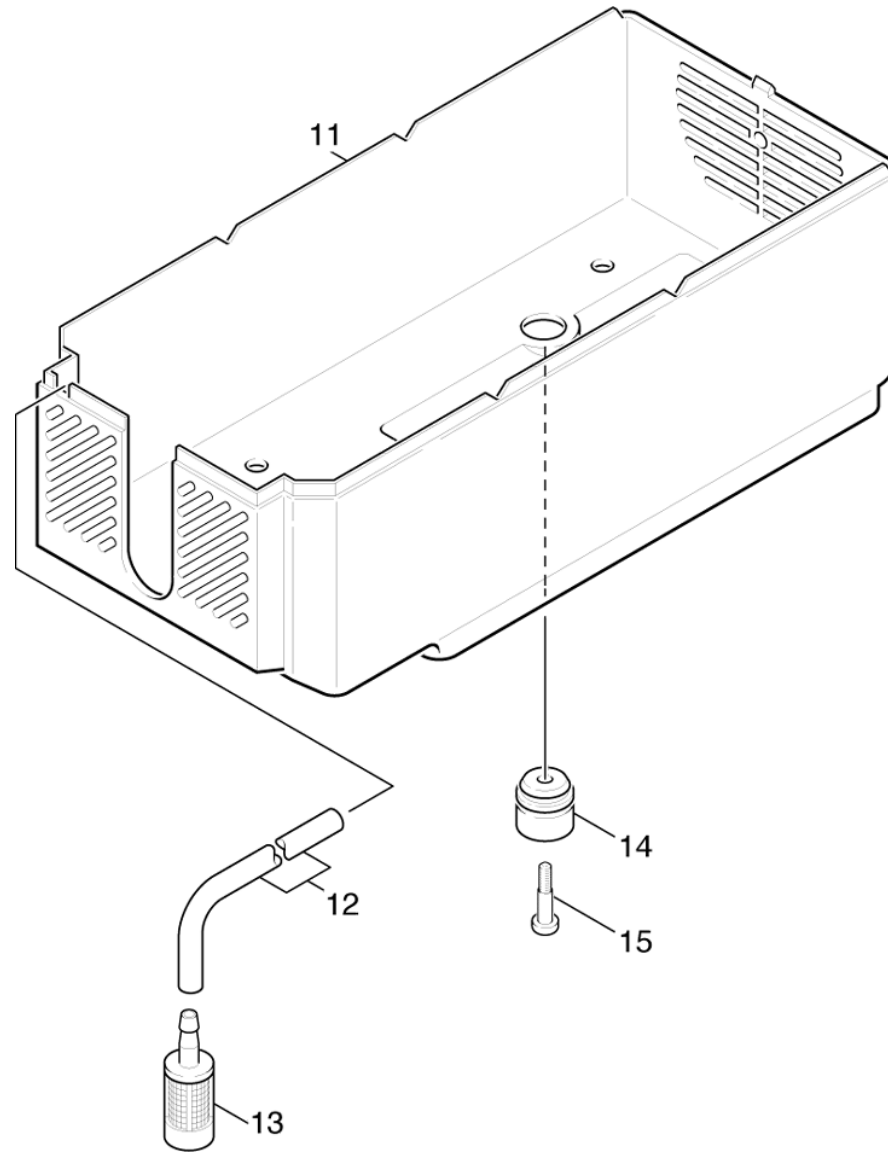
11 Top part (0.101-780.0)

ET/VT (spare/wear parts)	Pos	Material #	Name	Qty.	Unit	from ser.nr.	up to ser.nr.
	1	4.324-008.0	Pushbutton only for replacement	1.000	ST	0000000000	0000000000
	2	5.066-620.0	Cover top part	1.000	ST	0000000000	0000000000
	3	6.631-550.0	Cover water shield	1.000	ST	0000000000	0000000000
X-X	4	6.631-607.0	Switch	1.000	ST	0000000000	0000000000
	5	6.661-129.0	Capacitor 25MF	1.000	ST	0000000000	0000000000
	6	6.631-624.0	BRACKET	1.000	ST	0000000000	0000000000



12 Cable (0.101-781.0)

Pos	Material #	Name	Qty.	Unit	from ser.nr.	up to ser.nr.
1	5.379-015.0	Rubber ring	1.000	ST	0000000000	0000000000
2	6.343-170.0	Retaining clip	1.000	ST	0000000000	0000000000
3	7.303-030.0	Screw M4x8 -St-P2R (In6Rd)	1.000	ST	0000000000	0000000000
4	6.647-054.0	Cable with plug	1.000	ST	0000000000	0000000000
5	6.303-125.0	Screw 5x20-Sonder In6Rd+Spitze	6.000	ST	0000000000	0000000000

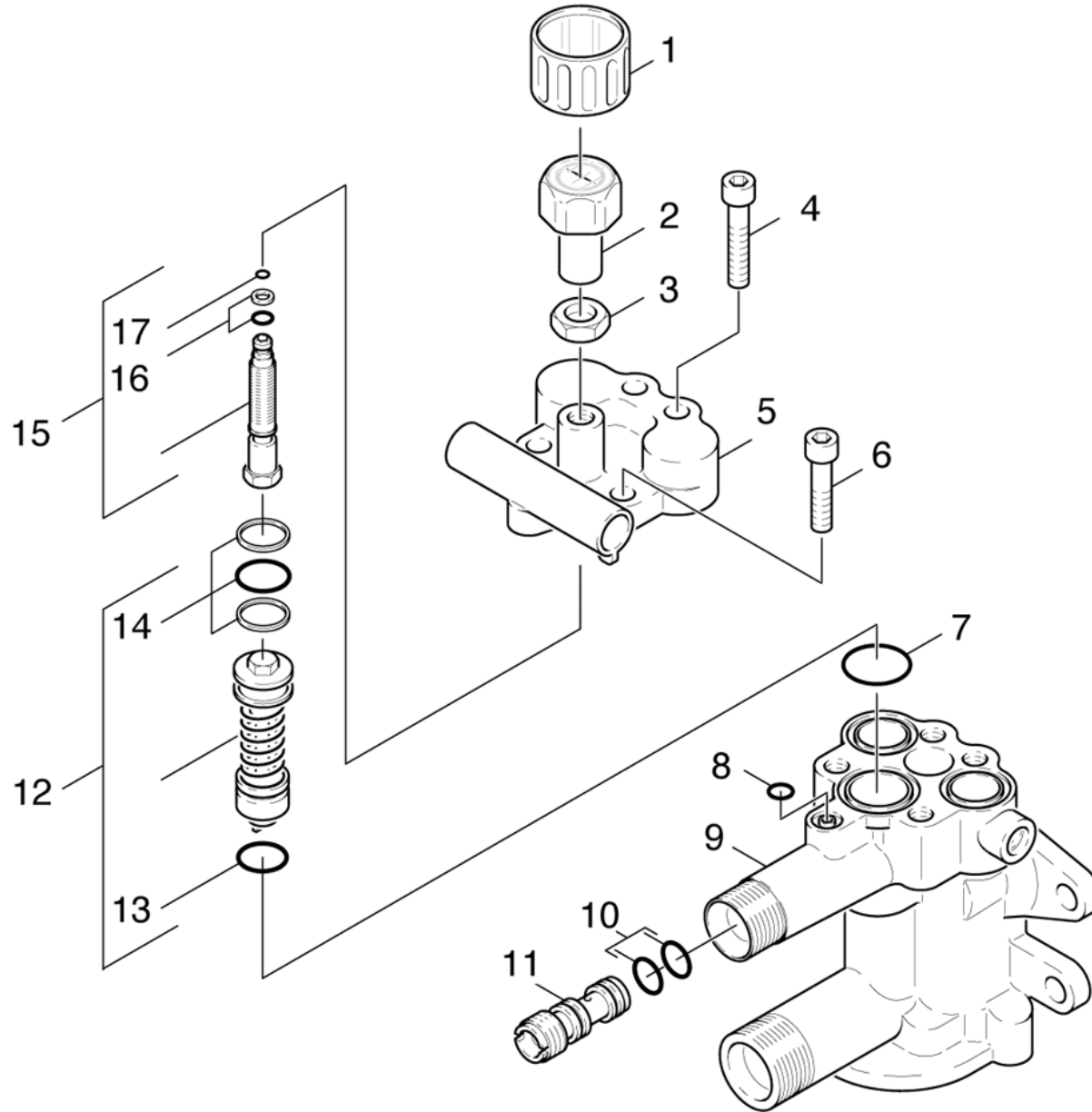


13 Bottom part (0.101-619.0)

ET/VT (spare/wear parts)	Pos	Material #	Name	Qty.	Unit	from ser.nr.	up to ser.nr.	Footnote text
	11	5.066-460.0	Cover bottom part	1.000	ST	0000000000	0000000000	
	12	6.388-216.0	Hose DN 5	1.000	M	0000000000	0000000000	TO ORDER AS CUT GOODS
X	13	5.731-652.0	Filter with weight	1.000	ST	0000000000	0000000000	
	14	5.057-034.0	Support	3.000	ST	0000000000	0000000000	
	15	6.303-084.0	Screw M5X28,5	3.000	ST	0000000000	0000000000	

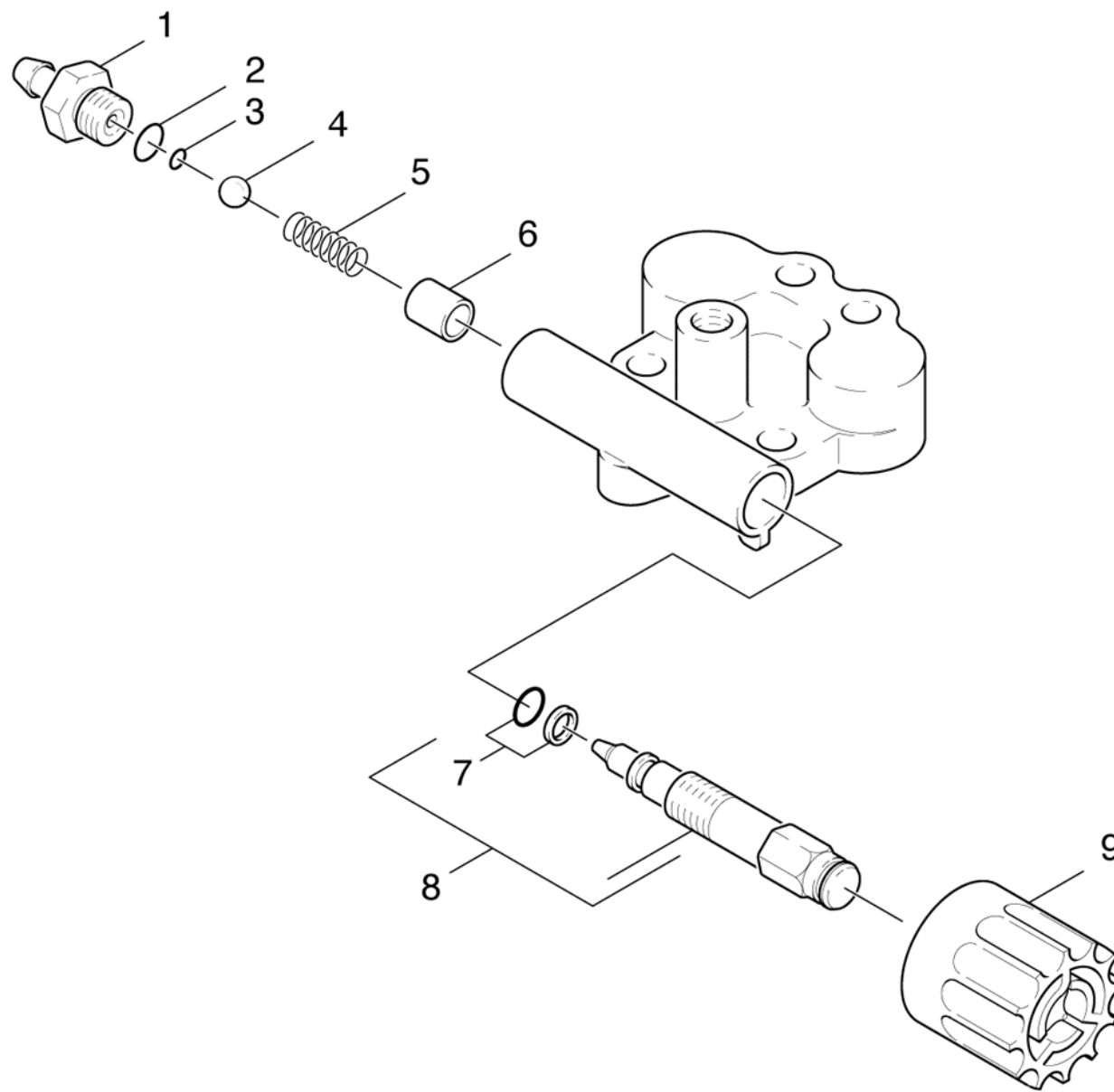
20 Pump set (0.106-650.0)

Pos	Material #	Name	Qty.	Unit	from ser.nr.	up to ser.nr.
21	0.106-638.0	Cylinder head	1.000	ST	0000000000	0000000000
22	0.106-639.0	Chemistry	1.000	ST	0000000000	0000000000
23	0.106-640.0	Valves	1.000	ST	0000000000	0000000000
24	0.106-651.0	Piston	1.000	ST	0000000000	0000000000
25	0.106-652.0	Water connection	1.000	ST	0000000000	0000000000



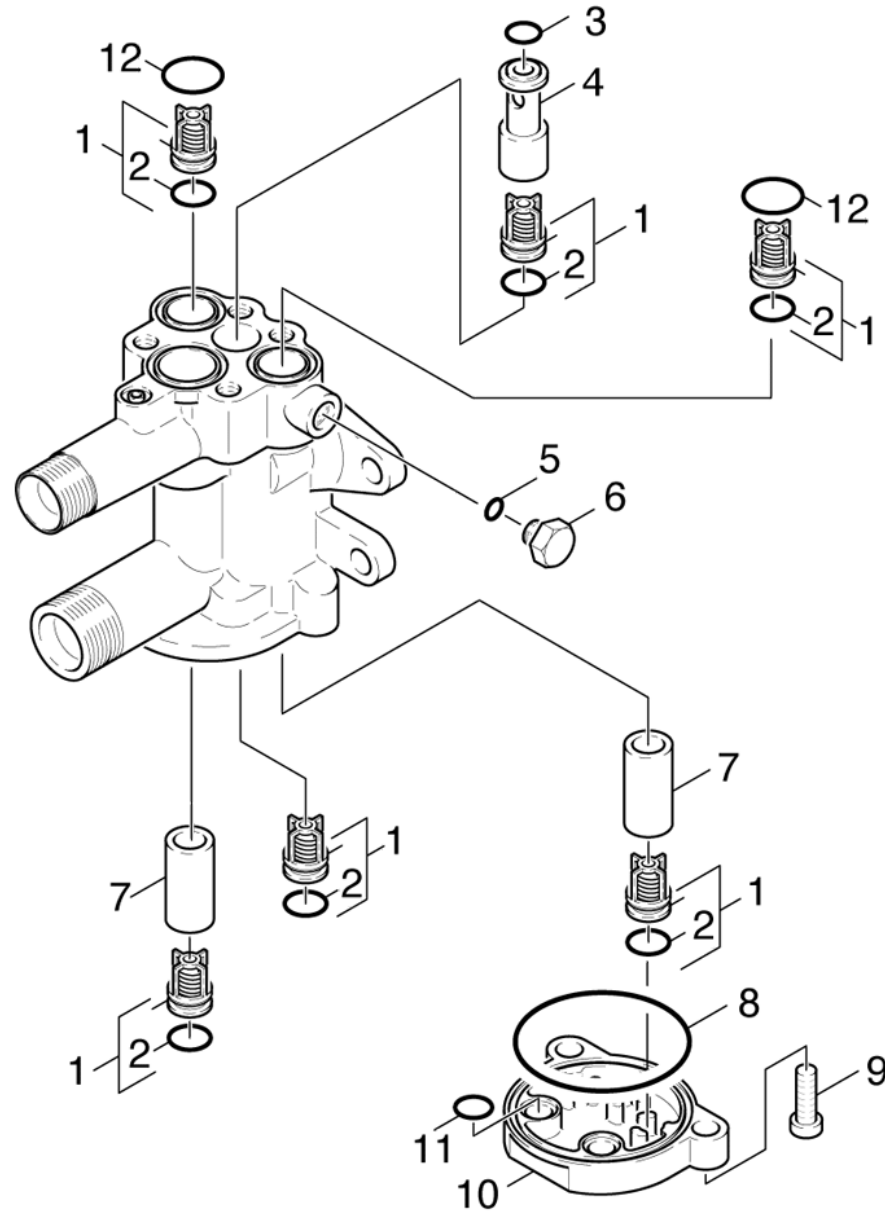
21 Cylinder head (0.106-638.0)

ET/VT (spare/wear parts)	Pos	Material #	Name	Qty.	Unit	from ser.nr.	up to ser.nr.
	1	5.321-306.0	Handhold	1.000	ST	0000000000	0000000000
	2	6.421-202.0	Pressure gauge	1.000	ST	0000000000	0000000000
	3	6.310-058.0	Hexagon nut M 8x0,75	1.000	ST	0000000000	0000000000
X-X	4	7.306-043.0	Cylinder head screw M8x30 -8.8-A2E ISO	2.000	ST	0000000000	0000000000
X	6	7.306-041.0	Cylinder head screw M8x20 -8.8-A2E ISO	2.000	ST	0000000000	0000000000
X	7	6.362-833.0	O-Ring seal 21,5 x 1,78	1.000	ST	0000000000	0000000000
X-X	8	6.362-176.0	O-Ring seal 6,07x1,78	1.000	ST	0000000000	0000000000
	9	5.550-197.0	Cylinder head	1.000	ST	0000000000	0000000000
X-X	10	6.362-384.0	O-Ring seal 9x1,5 - NBR 70	2.000	ST	0000000000	0000000000
	11	5.769-087.0	Nozzle insert black PVDF	1.000	ST	0000000000	0000000000
	12	4.580-209.0	Overflow valve only for replacement	1.000	ST	0000000000	0000000000
X-X	13	6.362-169.0	O-Ring seal 12,0 X 2,0	1.000	ST	0000000000	0000000000
X-X	14	6.362-921.0	O-Ring seal complete	1.000	ST	0000000000	0000000000
	15	4.291-003.0	Spindle only for replacement	1.000	ST	0000000000	0000000000
	16	6.362-719.0	O-Ring seal complete 1ST.R.	1.000	ST	0000000000	0000000000
X	17	7.362-505.0	O-Ring seal 3,75x1,6-NBR 70 DIN 3770	1.000	ST	0000000000	0000000000



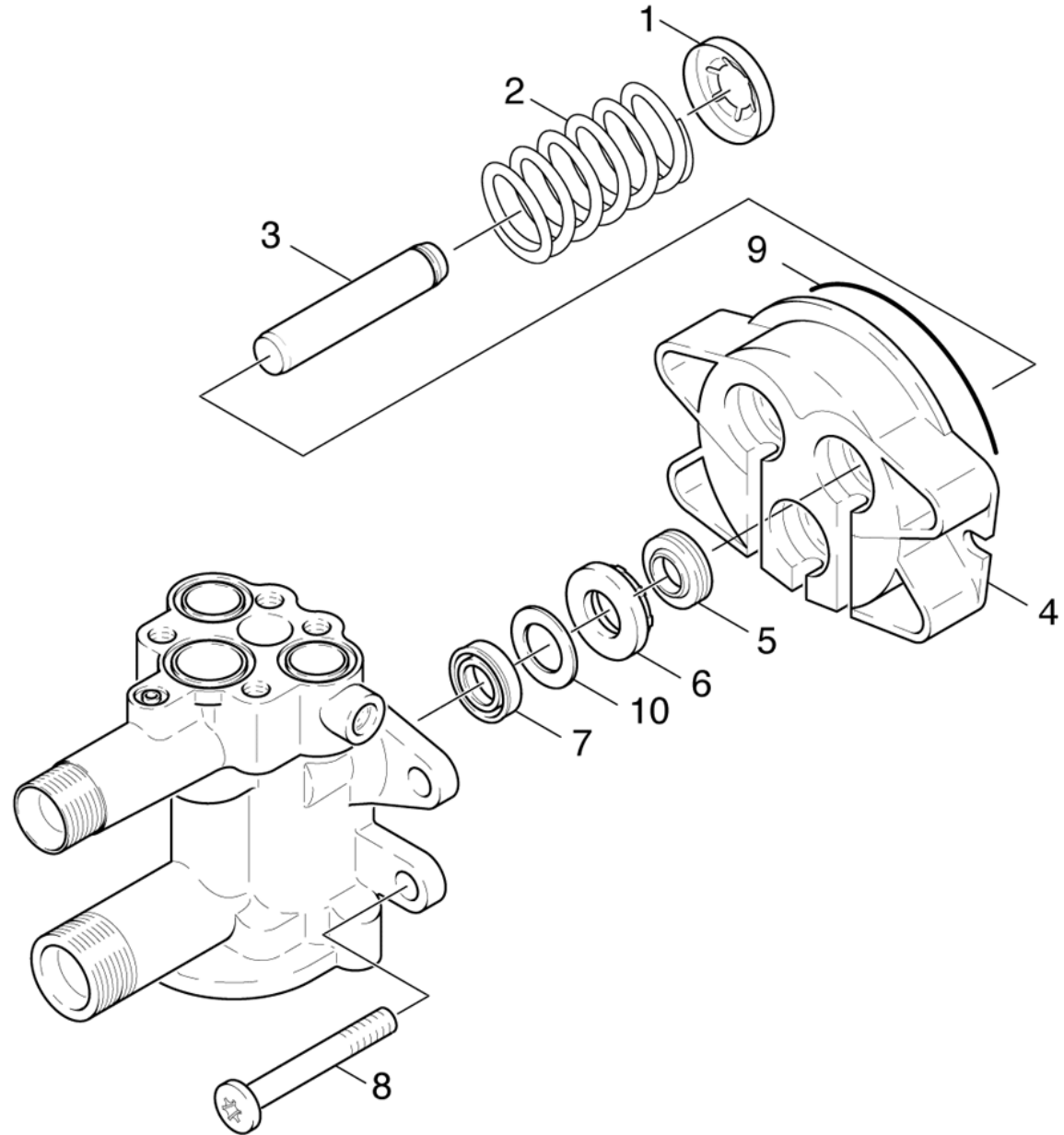
22 Chemistry (0.106-639.0)

ET/VT (spare/wear parts)	Pos	Material #	Name	Qty.	Unit	from ser.nr.	up to ser.nr.
X-X	1	5.443-624.0	Nipple	1.000	ST	0000000000	0000000000
X	2	6.362-113.0	O-Ring seal 6,0 x 2,0 NBR 70	1.000	ST	0000000000	0000000000
X-X	3	6.362-175.0	O-Ring seal 5,28x 1,78	1.000	ST	0000000000	0000000000
	4	7.401-908.0	Sphere 7 G300 -1.4301 DIN 5401	1.000	ST	0000000000	0000000000
X	5	5.332-258.0	Helical spring	1.000	ST	0000000000	0000000000
	6	5.110-522.0	Sleeve	1.000	ST	0000000000	0000000000
X-X	7	6.363-037.0	O-Ring seal complete 1ST.-R.	1.000	ST	0000000000	0000000000
	8	4.291-004.0	Spindle only for replacement	1.000	ST	0000000000	0000000000
	9	5.321-305.0	Handhold	1.000	ST	0000000000	0000000000



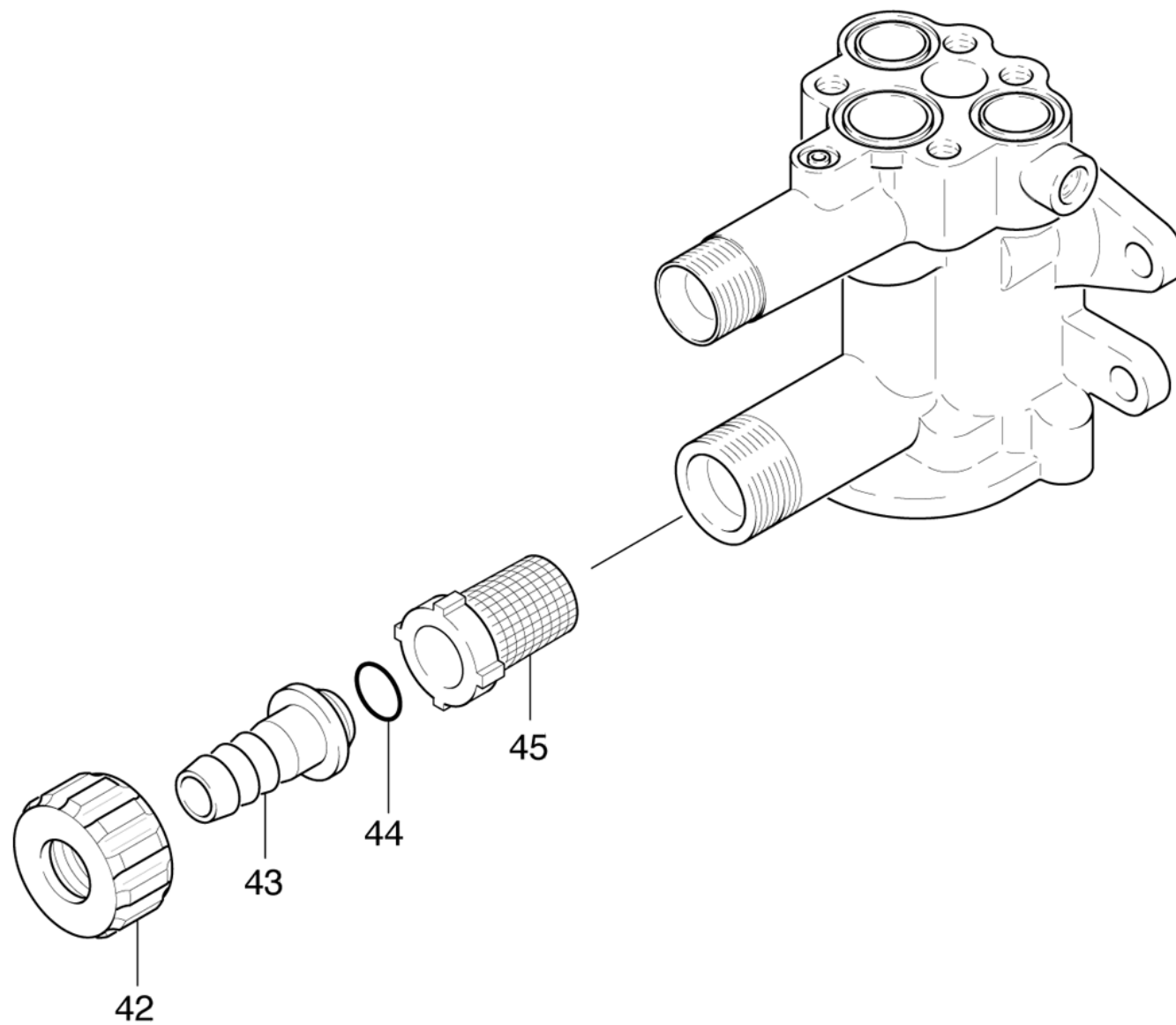
23 Valves (0.106-640.0)

ET/VT (spare/wear parts)	Pos	Material #	Name	Qty.	Unit	from ser.nr.	up to ser.nr.
X-X	1	2.884-916.0	Valve (3 Stück)	6.000	ST	0000000000	0000000000
X-X	2	6.362-077.0	O-Ring seal 10 x 2,2 NBR 70	6.000	ST	0000000000	0000000000
X	3	6.362-834.0	O-Ring seal 11,89X 1,78	1.000	ST	0000000000	0000000000
	4	5.110-510.0	Sleeve	1.000	ST	0000000000	0000000000
X	5	6.362-113.0	O-Ring seal 6,0 x 2,0 NBR 70	1.000	ST	0000000000	0000000000
	6	5.411-066.0	Screw plug	1.000	ST	0000000000	0000000000
	7	5.110-511.0	Sleeve	2.000	ST	0000000000	0000000000
	8	6.362-823.0	O-Ring seal 53,7 X 1,78 -NBR	1.000	ST	0000000000	0000000000
X	9	7.306-041.0	Cylinder head screw M8x20 -8.8-A2E ISO	4.000	ST	0000000000	0000000000
	10	5.063-542.0	Suction cover	1.000	ST	0000000000	0000000000
X-X	11	6.362-384.0	O-Ring seal 9x1,5 - NBR 70	2.000	ST	0000000000	0000000000
	12	7.777-999.0	Stockpiling discontinued	2.000	ST	0000000000	0000000000



24 Piston (0.106-651.0)

ET/VT (spare/wear parts)	Pos	Material #	Name	Qty.	Unit	from ser.nr.	up to ser.nr.
X	1	5.030-625.0	Moulded part	3.000	ST	0000000000	0000000000
	2	5.332-251.0	Helical spring	3.000	ST	0000000000	0000000000
X-X	3	5.553-231.0	Piston	3.000	ST	0000000000	0000000000
	4	5.060-349.0	Housing thrust guidance	1.000	ST	0000000000	0000000000
X-X	5	6.365-340.0	Grooved ring 14X22X5/7	3.000	ST	0000000000	0000000000
X	6	5.115-577.0	Washer	3.000	ST	0000000000	0000000000
X-X	7	6.365-341.0	Grooved ring	3.000	ST	0000000000	0000000000
	8	7.306-039.0	Cylinder head screw M8x50 -8.8-A2E ISO	4.000	ST	0000000000	0000000000
	9	6.362-471.0	O-Ring seal 80,0 X 3,0 -NBR 70	1.000	ST	0000000000	0000000000
X-X	10	5.115-465.0	Washer	3.000	ST	0000000000	0000000000

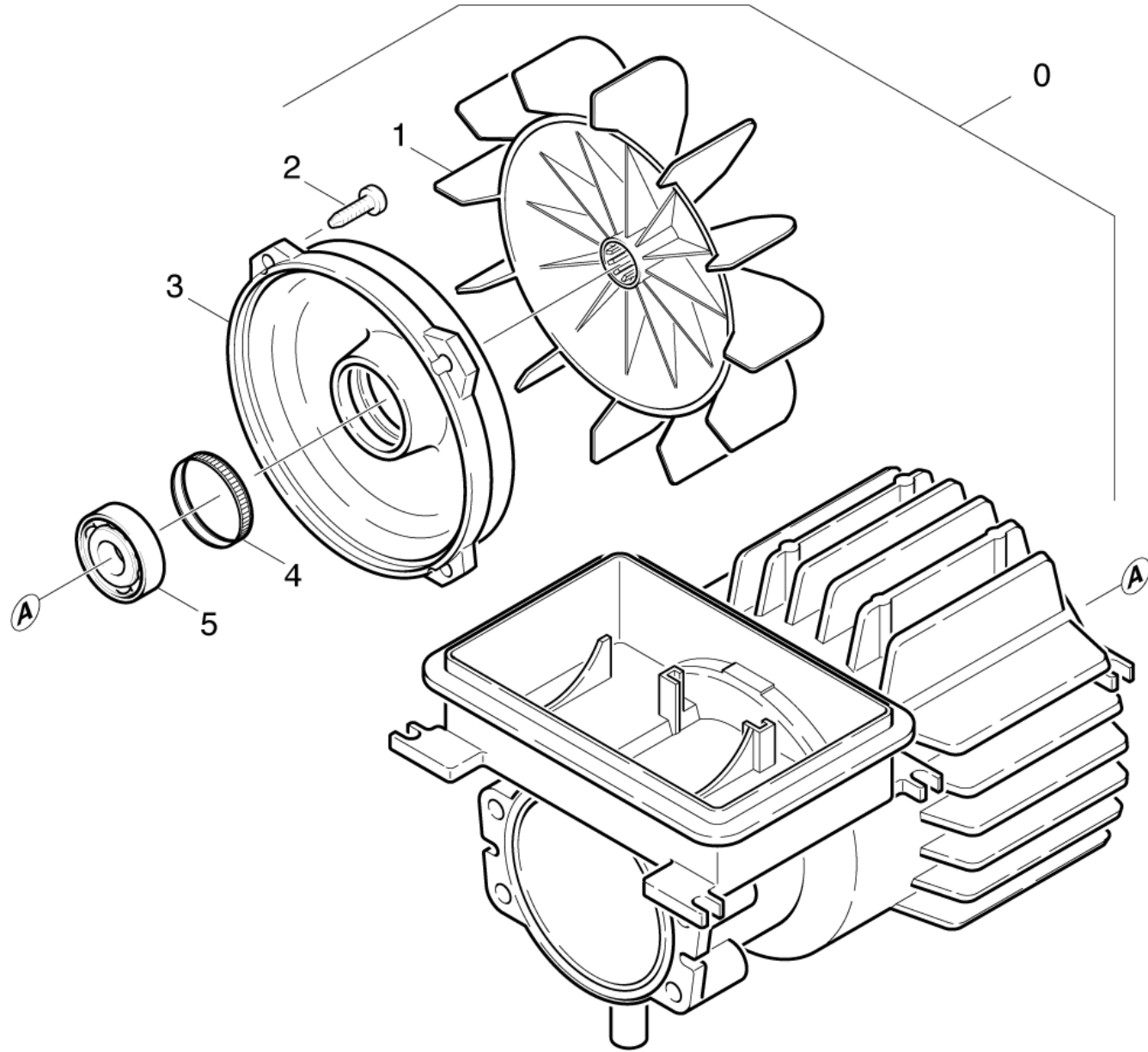


25 Water connection (0.106-652.0)

ET/VT (spare/wear parts)	Pos	Material #	Name	Qty.	Unit	from ser.nr.	up to ser.nr.
	42	5.310-065.0	Nut	1.000	ST	0000000000	0000000000
	43	5.443-229.0	Hose stem	1.000	ST	0000000000	0000000000
X-X	44	6.362-078.0	O-Ring seal 13,3x2,4	1.000	ST	0000000000	0000000000
X-X	45	6.414-252.0	Strainer	1.000	ST	0000000000	0000000000

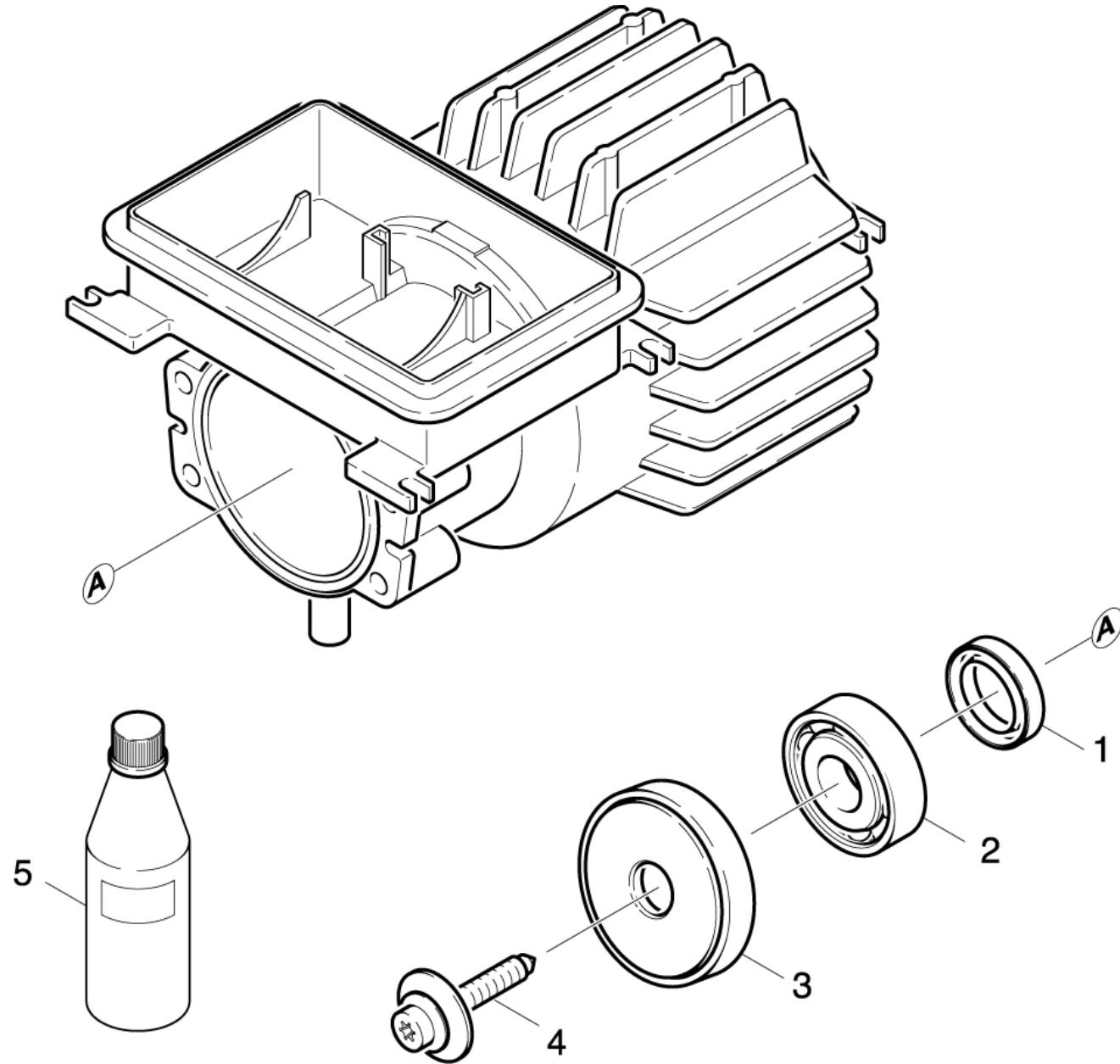
30 Motor (0.111-666.0)

Pos	Material #	Name	Qty.	Unit	from ser.nr.	up to ser.nr.
31	0.111-667.0	Ventilation	1.000	ST	0000000000	0000000000
32	0.111-668.0	Transmission	1.000	ST	0000000000	0000000000



31 Ventilation (0.111-667.0)

ET/VT (spare/wear parts)	Pos	Material #	Name	Qty.	Unit	from ser.nr.	up to ser.nr.
	0	4.623-228.0	Motor complete only for replacement	1.000	ST	0000000000	0000000000
X	1	5.600-030.0	Blower wheel 695	1.000	ST	0000000000	0000000000
	2	6.303-320.0	Screw M 5x 20-St-R2R	4.000	ST	0000000000	0000000000
	3	7.777-999.0	Stockpiling discontinued	1.000	ST	0000000000	0000000000
X-X	4	6.343-015.0	Tolerance ring 35X6	1.000	ST	0000000000	0000000000
X-X	5	7.401-105.0	Ball bearing 6003-2RS Wälzl.St DIN 625	1.000	ST	0000000000	0000000000

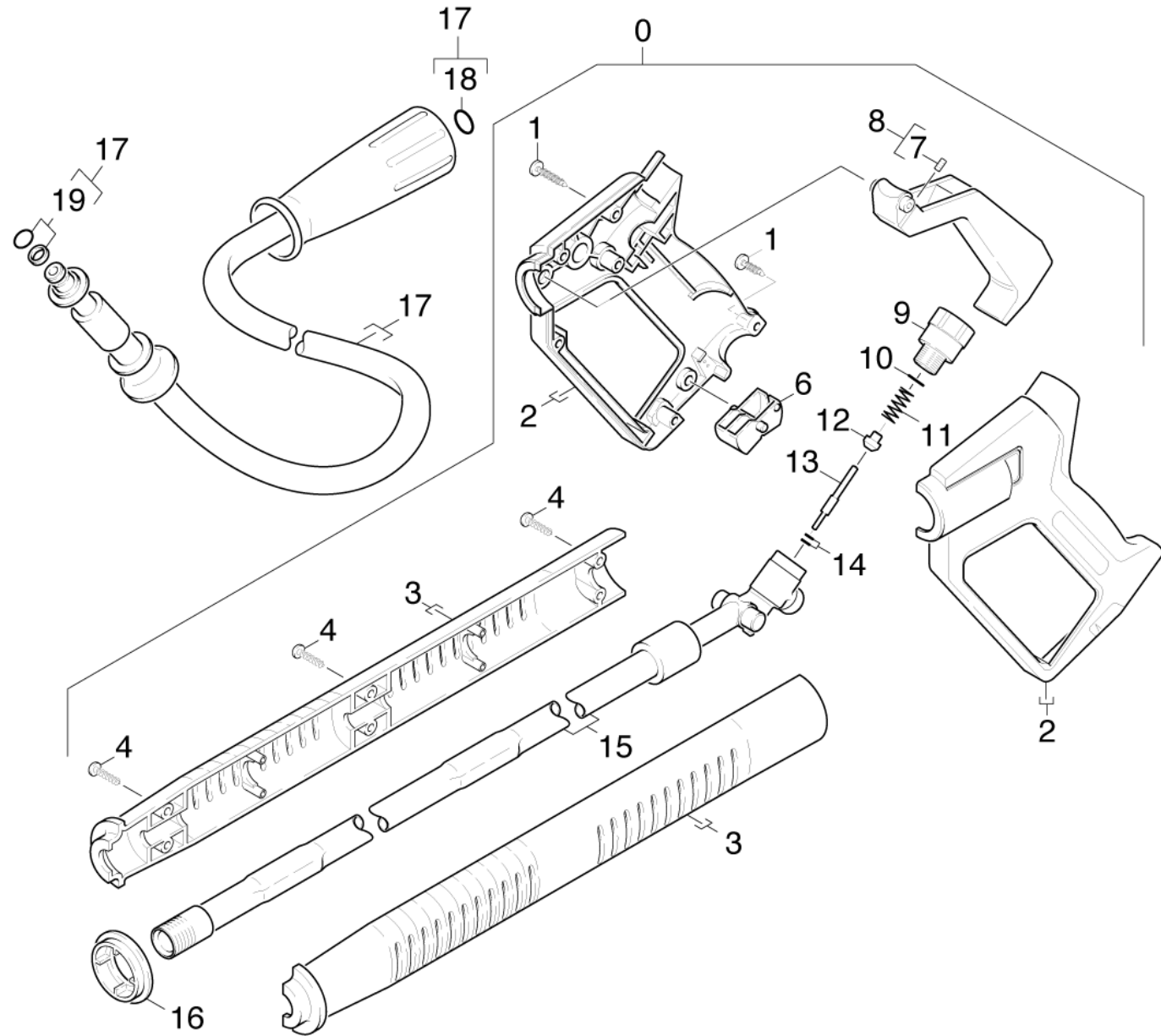


32 Transmission (0.111-668.0)

ET/VT (spare/wear parts)	Pos	Material #	Name	Qty.	Unit	from ser.nr.	up to ser.nr.
	0	4.623-228.0	Motor complete only for replacement	1.000	ST	0000000000	0000000000
	1	7.367-018.0	Radial shaft seal ring A26x37x7 -NBR DI	1.000	ST	0000000000	0000000000
	2	7.401-155.0	Ball bearing 6304-WAELZLAGERST DIN 625	1.000	ST	0000000000	0000000000
	3	6.401-193.0	Wobble plate	1.000	ST	0000000000	0000000000
	4	6.304-048.0	Cylinder head screw M6x19	1.000	ST	0000000000	0000000000
X-X	5	6.288-050.0	Engine oil 1L	1.000	ST	0000000000	0000000000

40 Accessories (0.146-605.0)

Pos	Material #	Name	Qty.	Unit	from ser.nr.	up to ser.nr.	var. information
41	0.147-384.0	Hand trigger gun	1.000	ST	0000000000	0000000000	VERSION 1
42	0.103-345.0	Hand trigger gun	1.000	ST			VERSION 2
43	0.146-457.0	Jet pipe	1.000	ST	0000000000	0000000000	
44	0.146-580.0	Nozzle	1.000	ST	0000000000	0000000000	VERSION 1
45	0.103-715.0	Nozzle	1.000	ST			VERSION 2

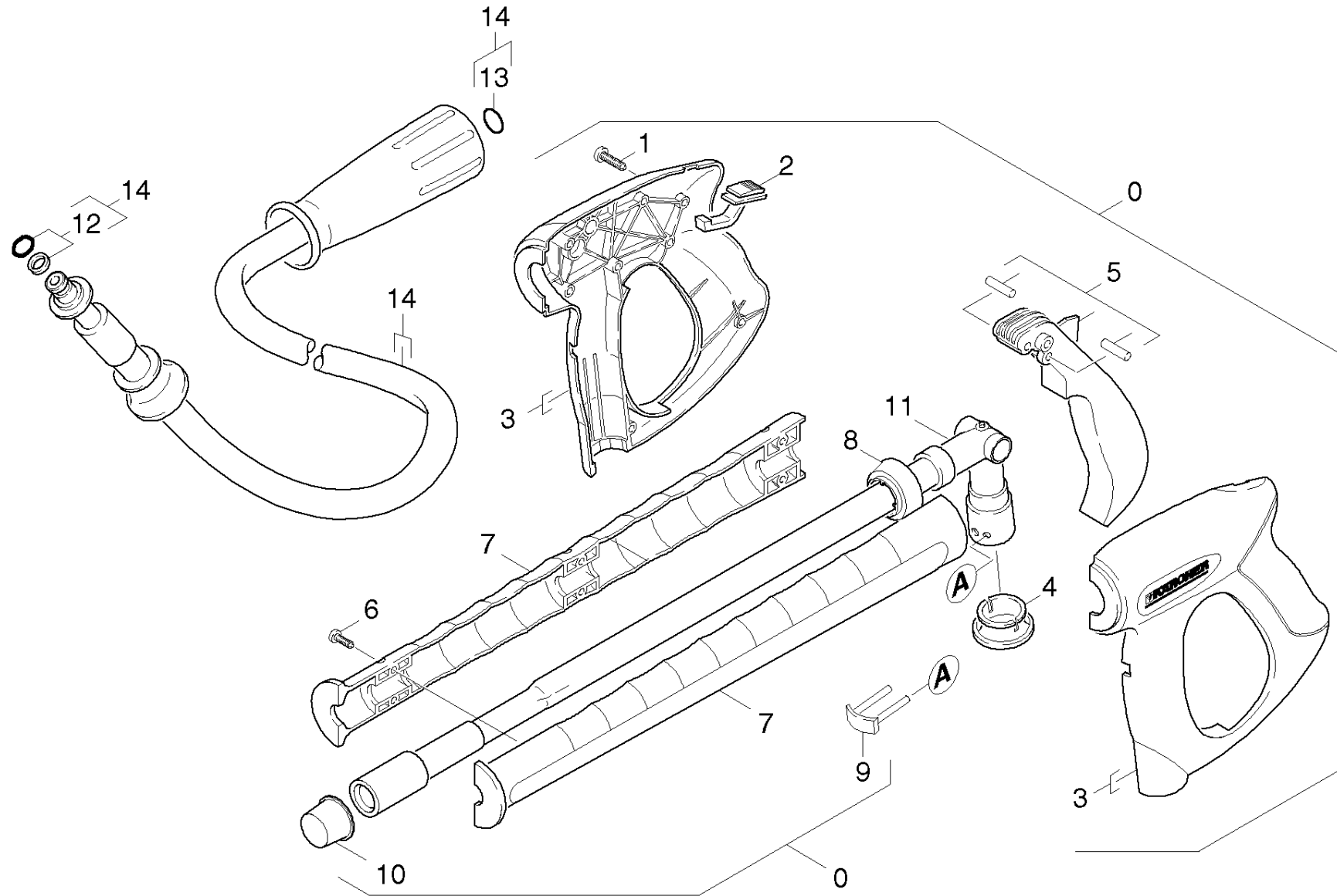


41 Hand trigger gun (0.147-384.0)

ET/VT (spare/wear parts)	Pos	Material #	Name	Qty.	Unit	from ser.nr.	up to ser.nr.
	0	7.777-999.0	Stockpiling discontinued	1.000	ST	0000000000	0000000000
	1	7.303-096.0	Screw 4x22 -ST-10.9-R2R (IN6RD)	1.000	ST	0000000000	0000000000
	2	5.321-206.0	Handhold few	1.000	ST	0000000000	0000000000
	3	5.322-083.0	Handhold few extended Low End	1.000	ST	0000000000	0000000000
	4	6.303-025.0	Oval head screw 4,2x16-St-vz	7.000	ST	0000000000	0000000000
	6	5.481-052.0	Lever	1.000	ST	0000000000	0000000000
	7	7.307-417.0	Threaded pin M8x16 -45H-A2E ISO 4026	1.000	ST	0000000000	0000000000
	8	4.481-050.0	Lever	1.000	ST	0000000000	0000000000
	9	5.411-067.0	Screw plug	1.000	ST	0000000000	0000000000
X	10	6.362-584.0	O-Ring seal 12,42X 1,78	1.000	ST	0000000000	0000000000
	11	5.332-157.0	Helical spring	1.000	ST	0000000000	0000000000
X	12	5.582-058.0	Valve disc	1.000	ST	0000000000	0000000000
X-X	13	5.107-259.0	Bar	1.000	ST	0000000000	0000000000
X-X	14	6.362-571.0	O-Ring seal complete /1ST.-R	1.000	ST	0000000000	0000000000
	15	4.427-179.0	Manifold	1.000	ST	0000000000	0000000000
	16	5.031-259.0	Moulded part	1.000	ST	0000000000	0000000000
X-X	17	6.389-853.0	Hose assembly standard DN6 25MPa 10m	1.000	ST	0000000000	0000000000
X-X	18	2.880-296.0	Spare part set O-Ring seal 5x	1.000	ST	0000000000	0000000000
X-X	19	6.363-115.0	O-Ring seal complete 1ST.-R.	1.000	ST	0000000000	0000000000

18 Spare part set O-Ring seal 5x (2.880-296.0)

Pos	Material #	Name	Qty.	Unit	from ser.nr.	up to ser.nr.
10	6.362-957.0	O-Ring seal 10,0 X 2,0-EPDM 85-90	5.000	ST	0000000000	0000000000

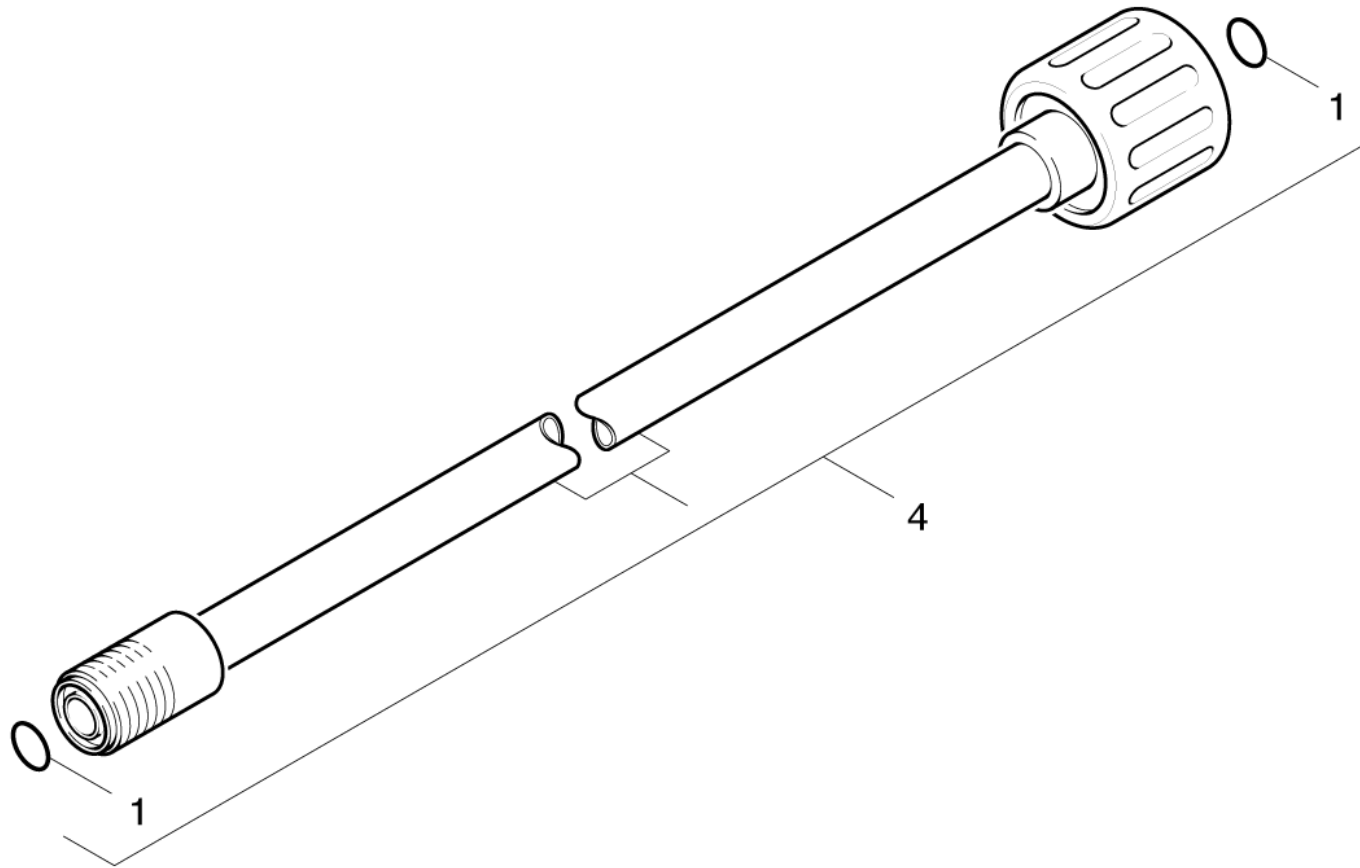


42 Hand trigger gun (0.103-345.0)

ET/VT (spare/wear parts)	Pos	Material #	Name	Qty.	Unit
X	0	4.775-554.0	Hand trigger gun Low End Nippel 10	1.000	ST
	1	7.303-096.0	Screw 4x22 -ST-10.9-R2R (IN6RD)	7.000	ST
	2	5.481-331.0	Slider	1.000	ST
	3	5.322-082.0	Handhold few hand trigger gun Low End	1.000	ST
X-X	4	5.110-596.0	Sleeve	1.000	ST
X	5	4.481-209.0	Lever complete	1.000	ST
X	6	7.303-129.0	Screw 4x16 -10.9-R2R (K-In6Rd)	6.000	ST
	7	5.322-083.0	Handhold few extended Low End	1.000	ST
	8	5.032-801.0	Moulded part	1.000	ST
X-X	9	4.037-013.0	Hook	1.000	ST
	10	6.368-012.0	Protecting cap 22X1,5	1.000	ST
	11	4.427-316.0	Manifold complete only for replacement	1.000	ST
X-X	12	6.363-115.0	O-Ring seal complete 1ST.-R.	1.000	ST
X-X	13	2.880-296.0	Spare part set O-Ring seal 5x	1.000	ST
X-X	14	6.389-853.0	Hose assembly standard DN6 25MPa 10m	1.000	ST

13 Spare part set O-Ring seal 5x (2.880-296.0)

Pos	Material #	Name	Qty.	Unit	from ser.nr.	up to ser.nr.
10	6.362-957.0	O-Ring seal 10,0 X 2,0-EPDM 85-90	5.000	ST	0000000000	0000000000

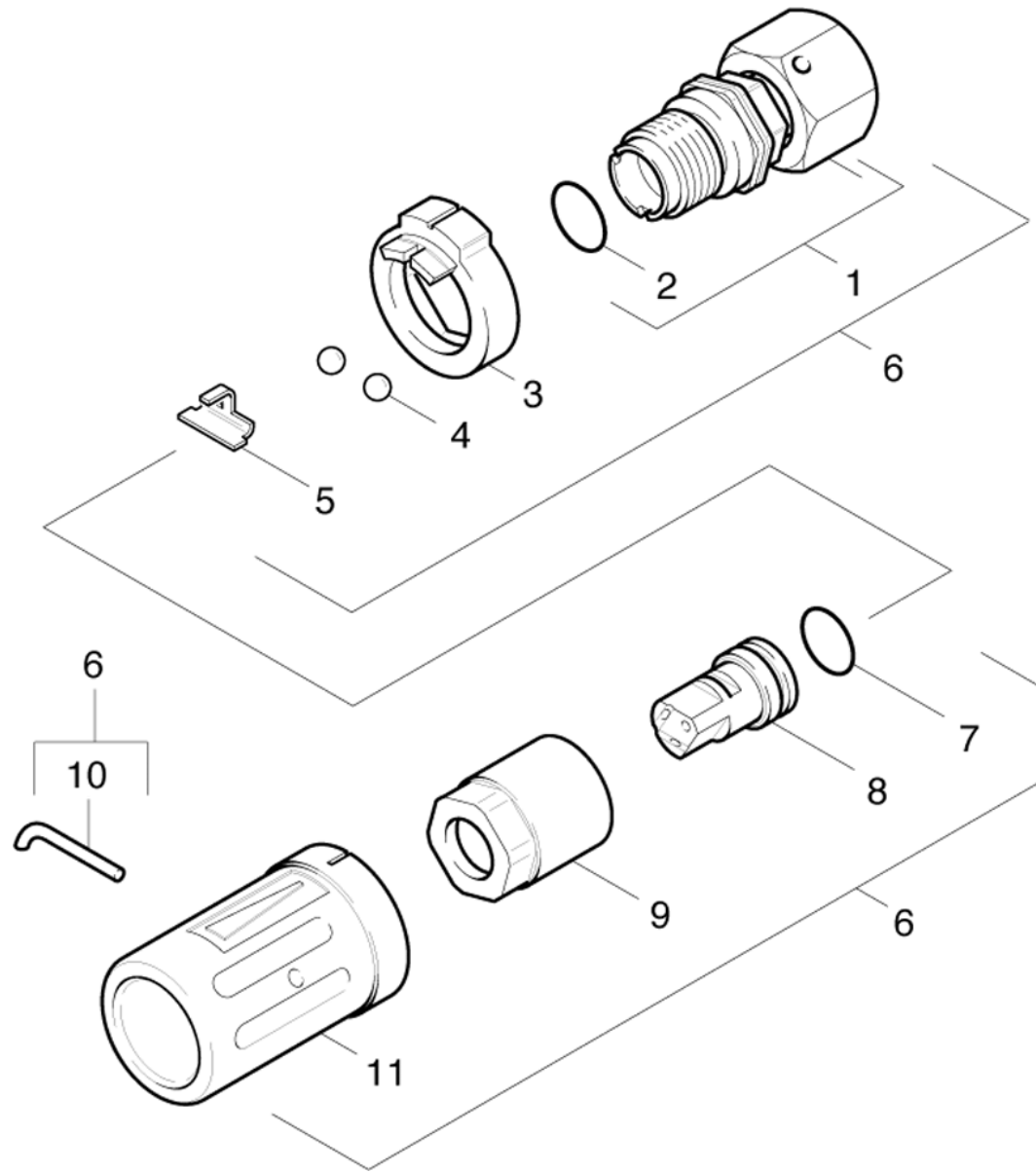


43 Jet pipe (0.146-457.0)

ET/VT (spare/wear parts)	Pos	Material #	Name	Qty.	Unit	from ser.nr.	up to ser.nr.
X-X	1	2.880-296.0	Spare part set O-Ring seal 5x	1.000	ST	0000000000	0000000000
	4	4.760-291.0	Jet pipe	1.000	ST	0000000000	0000000000

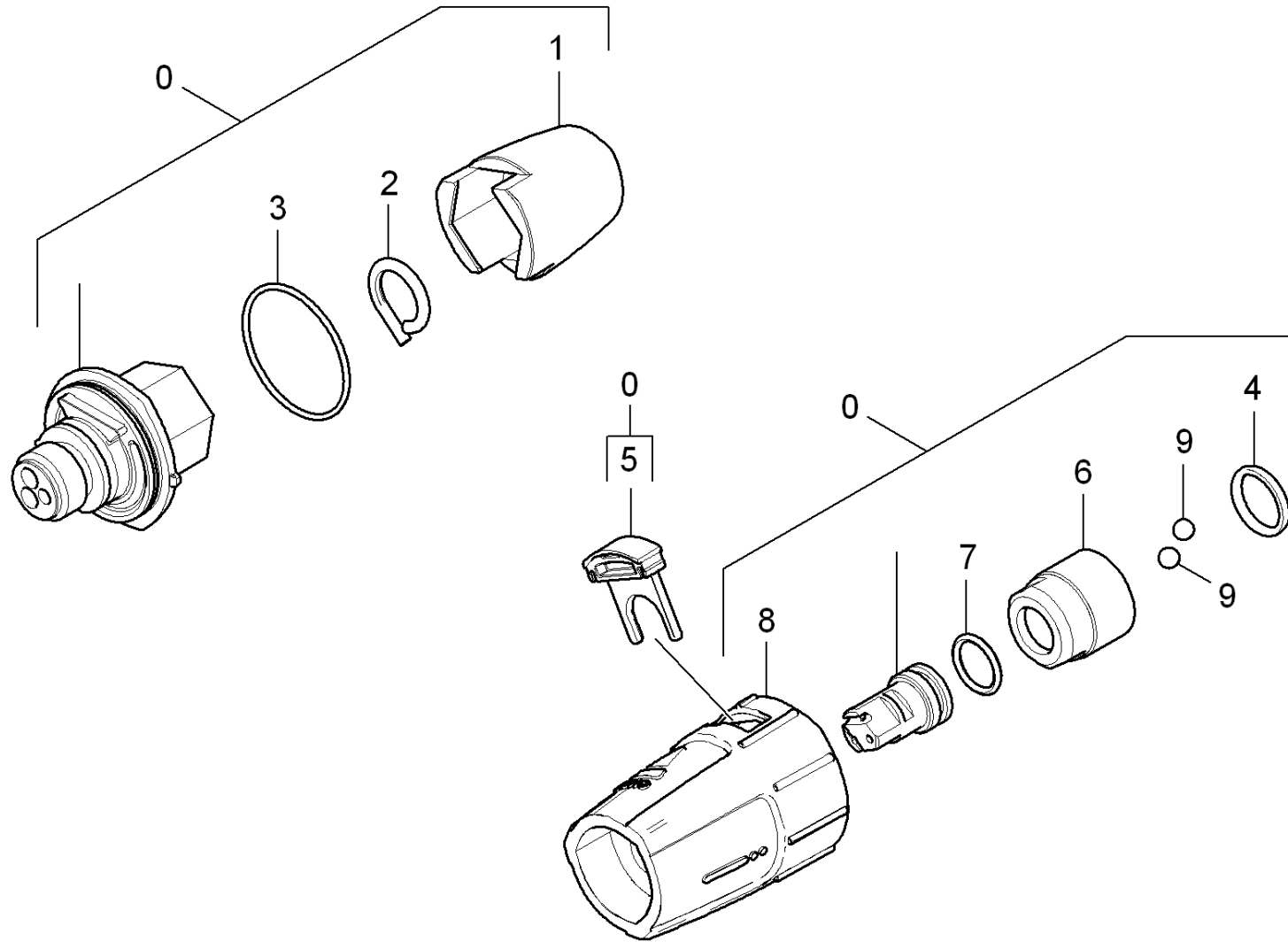
1 Spare part set O-Ring seal 5x (2.880-296.0)

Pos	Material #	Name	Qty.	Unit	from ser.nr.	up to ser.nr.
10	6.362-957.0	O-Ring seal 10,0 X 2,0-EPDM 85-90	5.000	ST	0000000000	0000000000



44 Nozzle (0.146-580.0)

ET/VT (spare/wear parts)	Pos	Material #	Name	Qty.	Unit	from ser.nr.	up to ser.nr.
	1	4.402-042.0	Screw union	1.000	ST	0000000000	0000000000
	2	6.362-460.0	O-Ring seal 14,0 X 2,5-NBR 70	1.000	ST	0000000000	0000000000
	3	5.030-528.0	Moulded part	1.000	ST	0000000000	0000000000
	4	7.401-902.0	Sphere 5 G20 -1.4034 DIN 5401	2.000	ST	0000000000	0000000000
	5	5.042-405.0	Holder	1.000	ST	0000000000	0000000000
	6	7.777-999.0	Stockpiling discontinued	1.000	ST	0000000000	0000000000
X-X	7	6.362-480.0	O-Ring seal 12,42x 1,78	1.000	ST	0000000000	0000000000
	8	5.415-603.0	Triple jet nozzle 040	1.000	ST	0000000000	0000000000
	9	5.311-117.0	Hexagon nut	1.000	ST	0000000000	0000000000
	10	5.037-059.0	Hook	1.000	ST	0000000000	0000000000
	11	5.394-269.0	Protection part	1.000	ST	0000000000	0000000000



45 Nozzle (0.103-715.0)

ET/VT (spare/wear parts)	Pos	Material #	Name	Qty.	Unit
X-X	0	4.767-150.0	Triple jet nozzle only for replacement 0	1.000	ST
	1	5.394-530.0	Protection part complete	1.000	ST
	2	6.343-150.0	Pin 03	1.000	ST
	3	6.362-409.0	O-Ring seal 32,0 X 1,5	1.000	ST
	4	6.362-460.0	O-Ring seal 14,0 X 2,5-NBR 70	1.000	ST
	5	5.321-884.0	Clamp	1.000	ST
	6	5.311-225.0	Nut	1.000	ST
X-X	7	6.362-480.0	O-Ring seal 12,42x 1,78	1.000	ST
	8	5.394-859.0	Protection part	1.000	ST
	9	7.401-902.0	Sphere 5 G20 -1.4034 DIN 5401	2.000	ST