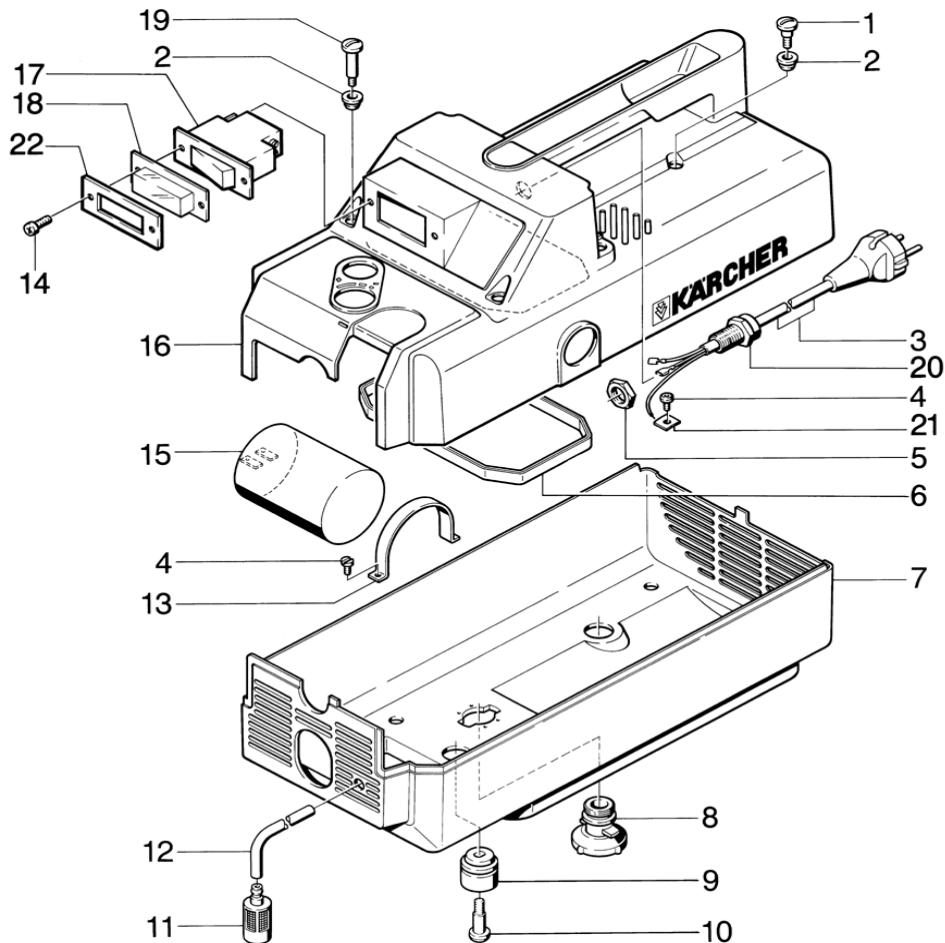


PARTS BREAKDOWN FOR HD575 (1.731-680.0)

Location	PN	DESCRIPTION	QTY
PIECE PARTS			
1	63030750	OVAL FLAT HEAD SCREW M5 X 18	2
2	51122920	Bush	6
3	66474430	CABLE MIT STECKER	1
4	73030300	Screw M4x8 -St-P2R (In6Rd)	3
5	66413670	Locknut PG11	1
6	53651350	Profile gasket	1
7	50662050	Cover bottom part	1
8	50130590	FUNNEL	1
9	50570340	Support	3
10	63030840	OVAL HEAD SCREW	3
11	57316090	Filter with weight	1
12	63882160	Hose DN 5	1
13	52600310	BANNER	1
14	73031160	Screw 4x12-A2-70 (IN6RD)	2
15	66611300	CAPACITOR	1
16	50668710	Cover	1
17	66314400	Rocker switch	1
18	66314410	PROTECTING CAP	1
19	63030770	SCREW M 5X 32	4
20	66416680	Cable gland PG11	1
21	66418040	CLAMPIUNG DISC 4	1
22	50500310	Frame	1



PARTS BREAKDOWN FOR HD575 (1.731-680.0)

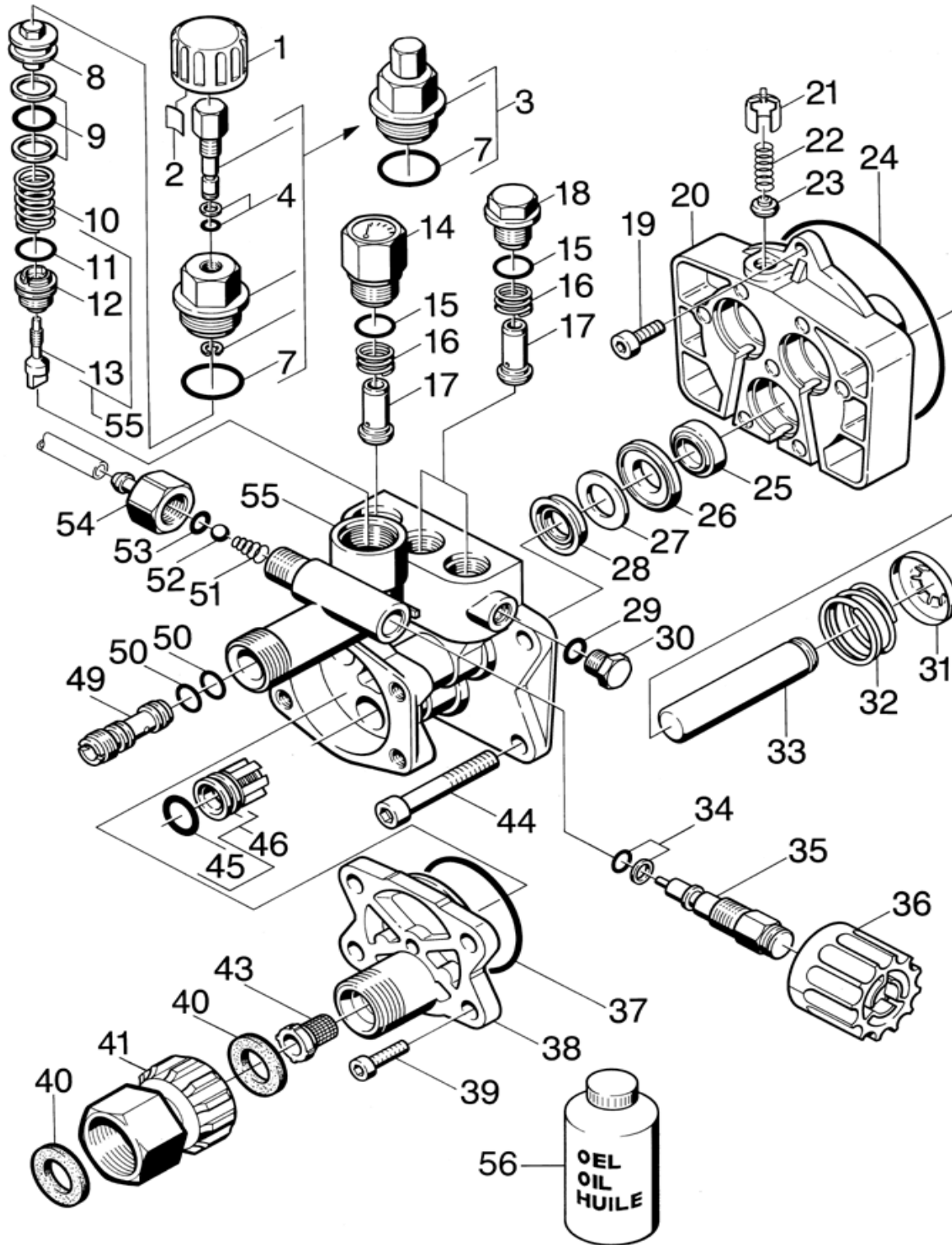
Location	PN	DESCRIPTION	QTY
PUMP			
1	53211940	Handhold	1
2	63130030	SPRING	1
3	44010530	SCREW FITTING HD 575 645 650	1
4	63624770	O-RING COMPL	1
7	63620790	O RING	1
8	55531760	PRESSURE PISTON	1
9	63629210	GASKET	1
10	53322070	COIL SPRING	1
11	63621690	O RING 12.0 X 2.0	1
12	55811030	VALVE SEAT	1
13	53051460	Shaped screw	1
14	55831970	Valve screw	1
15	63620780	O-Ring seal 13,3x2,4	3
16	53321160	SPRING FOR HD570 M/C	3
17	55840560	VALVE PIN	3
18	55830990	VALVE SCREW	2
19	73060890	Screw M6x12 -8.8-R2R (In6Rd)	2
20	50603400	Housing	1
21	50305330	Moulded part	1
22	53322090	Helical spring	1
23	55820800	VALVE DISK	1
24	63620970	ORING	1
25	63653220	GROOVED RING 16X24X7	3
26	51153850	WASHER	3
27	51154250	DISK	3
28	63653210	PACKING RING	3
29	63621010	ROUND CORD RING	1
30	54110700	Screw plug	1
31	50305000	Moulded part	3
32	53322060	Helical spring	3
33	55532810	PISTON	3
34	63623650	O-Ring seal complete 1ST.-R.- 7,65X 1,7	1
35	52910320	SEAT	1
36	77779990	Stockpiling discontinued	1
37	63625610	O-Ring seal 50 x 2	1
38	50602970	Cover housing	1
39	73060410	Cylinder head screw M8x20 -8.8-A2E ISO	4
40	53641290	Flat gasket	2
41	44010590	SCREW UNION PART	1
43	64142520	FILTER	1
44	73060390	Cylinder head screw M8x50 -8.8-A2E ISO	4
45	63623810	O-Ring seal 13,0x2,0	3
46	45802950	Valve complete	3
49	57690750	Nozzle insert	1
50	63623840	O-Ring seal 9,0 x 1,5	2
51	53321240	Helical spring	1
52	74019090	Sphere 7 G40 -1.4401 DIN 5401	1
53	63623830	O RING	1
54	54432890	Hose stem	1
55	45501070	CYLINDER HEAD	1
56	62880500	OIL 1 LITRE	1

diagram on next page

PARTS BREAKDOWN FOR HD575 (1.731-680.0)

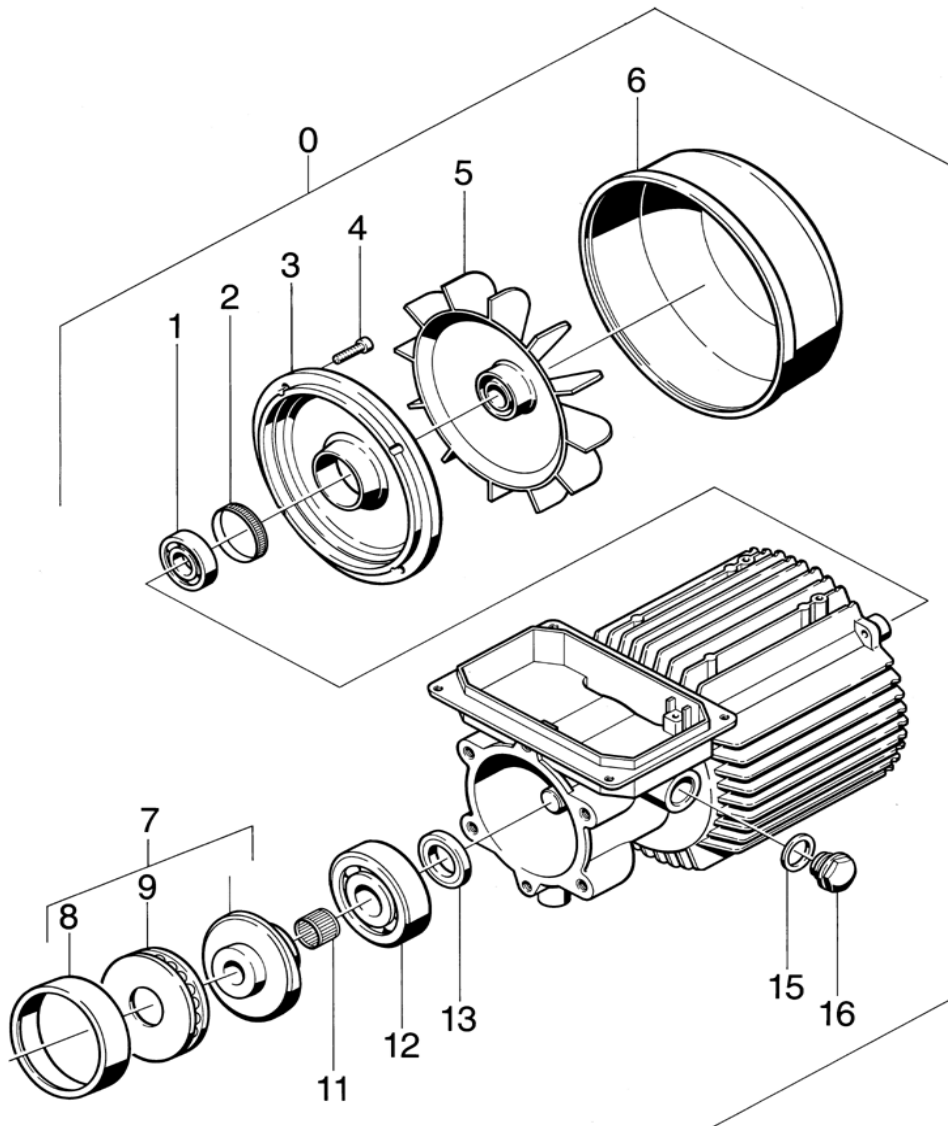
Location	PN	DESCRIPTION	QTY
----------	----	-------------	-----

PUMP (diagram)



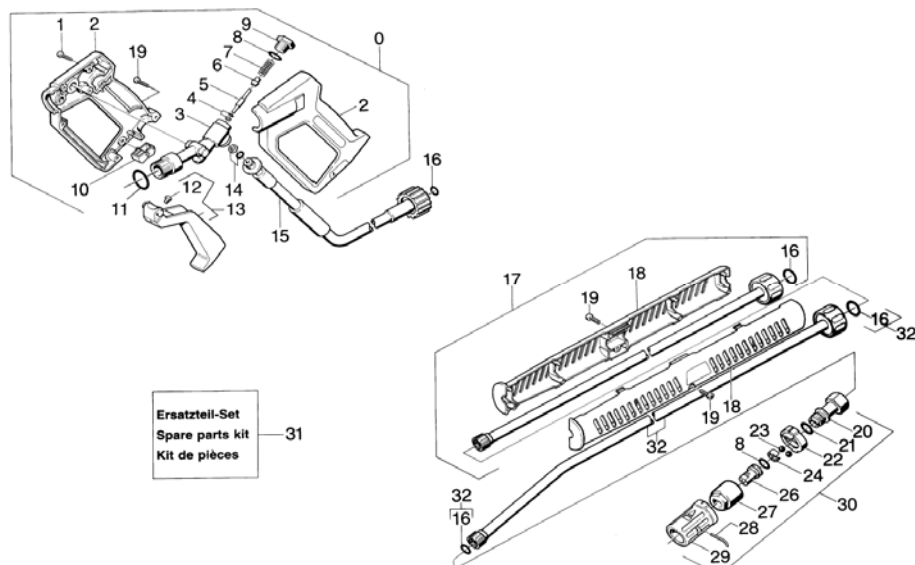
PARTS BREAKDOWN FOR HD575 (1.731-680.0)

Location	PN	DESCRIPTION	QTY
MOTOR			
0	77779990	Stockpiling discontinued	1
1	74011050	Ball bearing 6003-2RS Wälzl.St DIN 625	1
2	63430150	TOLERANCE RING	1
3	50632930	COVER	1
4	73030410	Screw M5x20 -St-R2R (In6Rd)	4
5	66121630	FAN WHEEL	1
6	56920140	MOTOR AIR CIRCULATER	1
7	41201180	SWASH PLATE KPL.	1
8	50150440	Ring	1
9	64011410	Deep groove ball thrust bearing	1
11	63430160	TOLERANCE RING	1
12	64011420	BALL BEARING	1
13	73670080	Radial shaft seal ring A25x35x7-NBR DIN	1
15	63625850	Seal	1
16	54110880	CLOSING SCREW	1



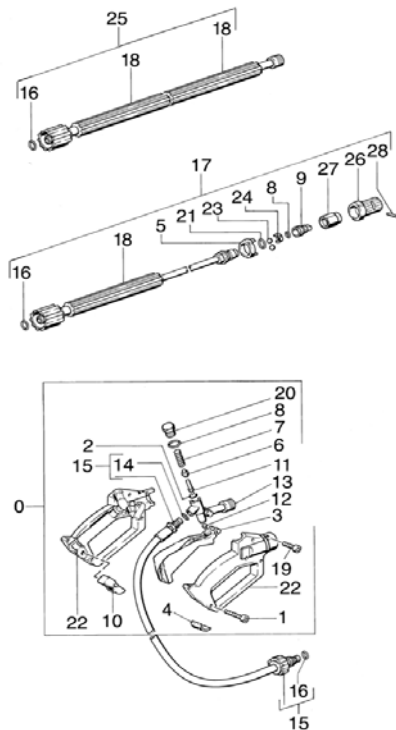
PARTS BREAKDOWN FOR HD575 (1.731-680.0)

Location	PN	DESCRIPTION	QTY
ACCESSORIES option 1			
0	47750800	Hand trigger gun replacement	1
1	73030960	Screw 4x22 -ST-10.9-R2R (IN6RD)	5
2	53212060	Handhold few	1
3	54271150	STRUT ATTACH FITT	1
4	63625710	ORING COMPLETE	1
5	51072590	Bar	1
6	55820580	VALVE PLATE	1
7	53321570	Helical spring	1
8	63624800	O-Ring seal 12,42x 1,78	2
9	54110670	Screw plug	1
10	54810520	Lever	1
11	63624960	O RING	1
12	73074170	Threaded pin M8x16 -45H-A2E ISO 4026	1
13	44810500	LEVER	1
14	63631150	GASKET	1
15	63895550	High pressure hose 15MPa 9m 60G MU=50, E	1
16	28802960	Spare part set O-Ring seal 5x-Kaercher	1
17	77779990	Stockpiling discontinued	1
18	53211500	HANDLE (PART NO=ONE HALF)	2
19	63030250	Oval head screw 4,2x16-St-vz	3
20	44020420	SCREW UNION	1
21	63624600	O-RING	1
22	50305280	Moulded part	1
23	74019020	Sphere 5 G20 -1.4034 DIN 5401	2
24	50424050	Holder	1
26	64154850	Triple jet nozzle 055	1
27	53111170	Hexagon nut	1
28	50370590	Hook	1
29	53942690	Protection part	1
30	47671560	Triple jet nozzle only for replacement 0	1
31	28830380	Spare part set HD575	1
32	77779990	Stockpiling discontinued	1



PARTS BREAKDOWN FOR HD575 (1.731-680.0)

Location	PN	DESCRIPTION	QTY
ACCESSORIES option 2			
0	47750360	Hand trigger gun	1
1	73030960	Screw 4x22 -ST-10.9-R2R (IN6RD)	5
2	73625020	O RING	1
3	44810350	Lever	1
4	53941560	Protection part	1
5	50305280	Moulded part	1
6	55820580	VALVE PLATE	1
7	53321570	Helical spring	1
8	63624800	O-Ring seal 12,42x 1,78	2
9	64154860	Triple jet nozzle 050	1
10	54810520	Lever	1
11	51070670	Bar	1
12	51080970	PIN	1
13	54270860	Manifold	1
14	63631150	GASKET	1
15	63895550	High pressure hose 15MPa 9m 60G MU=50, E	1
16	28802960	Spare part set O-Ring seal 5x-Kaercher	1
17	47601590	JET PIPE	1
18	53211340	Handhold	6
19	63030250	Oval head screw 4,2x16-St-vz	1
20	54110540	Screw plug	1
21	63624600	O-RING	1
22	53211290	Handhold few	1
23	74019020	Sphere 5 G20 -1.4034 DIN 5401	2
24	50424050	Holder	1
25	47601780	EXTENSION LANCE	1
26	53942690	Protection part	1
27	53111170	Hexagon nut	1
28	50370590	Hook	1



PARTS BREAKDOWN FOR HD575 (1.731-680.0)

Location	PN	DESCRIPTION	QTY
ACCESSORIES option 3			
0	47750800	Hand trigger gun replacement	1
1	73030960	Screw 4x22 -ST-10.9-R2R (IN6RD)	5
2	53212060	Handhold few	1
3	54271150	STRUT ATTACH FITT	1
4	63625710	ORING COMPLETE	1
5	51072590	Bar	1
6	55820580	VALVE PLATE	1
7	53321570	Helical spring	1
8	63624800	O-Ring seal 12,42x 1,78	2
9	54110670	Screw plug	1
10	54810520	Lever	1
11	63624960	O RING	1
12	73074170	Threaded pin M8x16 -45H-A2E ISO 4026	1
13	44810500	LEVER	1
14	63631150	GASKET	1
15	63895550	High pressure hose 15MPa 9m 60G MU=50, E	1
16	28802960	Spare part set O-Ring seal 5x-Kaercher	1
17	77779990	Stockpiling discontinued	1
18	53211500	HANDLE (PART NO=ONE HALF)	2
19	63030250	Oval head screw 4,2x16-St-vz	3
20	44020420	SCREW UNION	1
21	63624600	O-RING	1
22	50305280	Moulded part	1
23	74019020	Sphere 5 G20 -1.4034 DIN 5401	2
24	50424050	Holder	1
26	64154850	Triple jet nozzle 055	1
27	53111170	Hexagon nut	1
28	50370590	Hook	1
29	53942690	Protection part	1
30	47671560	Triple jet nozzle only for replacement 0	1
31	28830380	Spare part set HD575	1
32	77779990	Stockpiling discontinued	1

