



KÄRCHER

Ersatzteilliste
Spare Parts List
Liste des pièces de rechange

profi HD 555

1.474-670 USA 115V 1Ph.60Hz



KARCHER

A 1

profi HD 555

Gruppe 1: Pumpensatz
Group 1: Pump Unit
Groupe 1: Moto-pompe

C1

profi HD 555

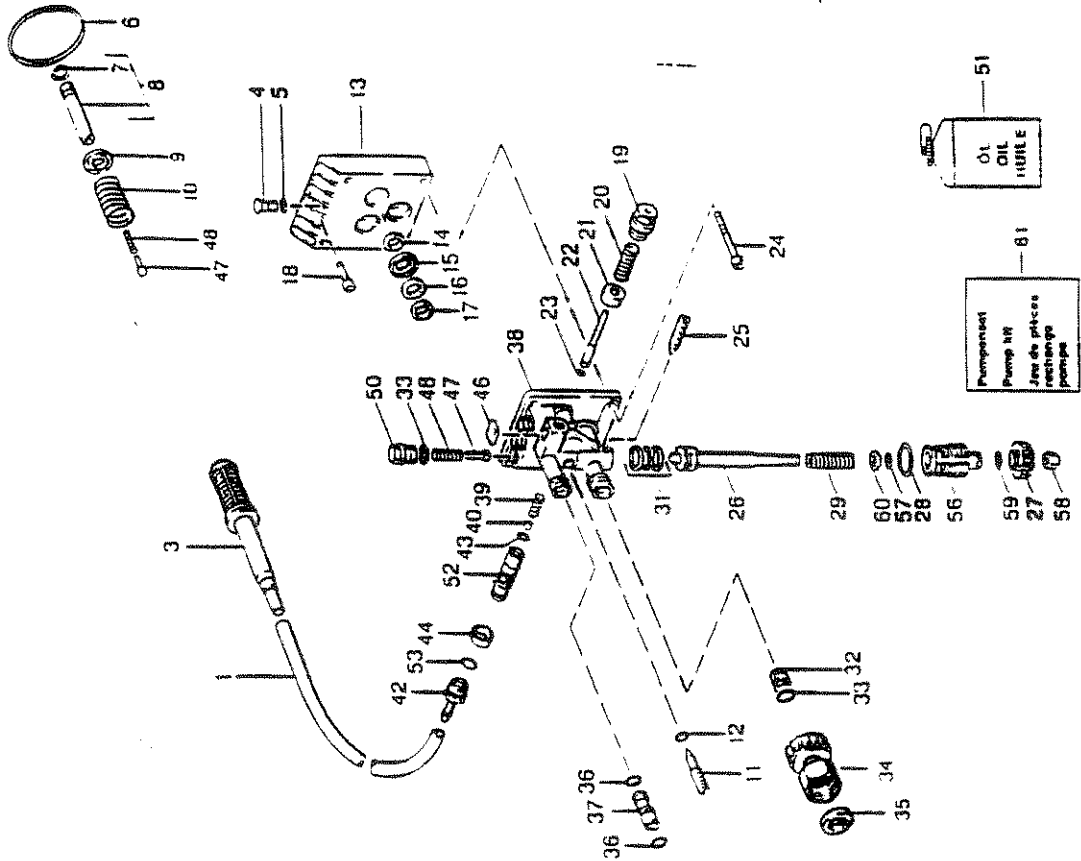
Gruppe 1: Pumpensatz
 Group 1: Pump Unit
 Groupe 1: Moto-pompe

Pos. Benennung Item Description Pos. Designation

Telle-Nr. Stück Part-No. Qty. No. piece Nbr.

bis Werk-Nr. 308 034/up to serial No. 308 034/jusqu'au N° de fabrication 308 034

Pos.	Benennung Item Description Pos. Designation	Telle-Nr. Part-No. No. piece	Stück Qty. Nbr.
23	O-Ring Kompl./ O-Ring Compl./ Joint Torique Compl	6.362-477.0	1
24	Zyl-Schraulis M 8x50/ Cheese-Head Screw/ Vis A Tete Cylindr.	7.306-039.0	4
25	Gewindestift M3x6/ Grub Scre w/ Goujon Filete	7.307-184.0	1
26	Kolben/ Piston/ Piston	5.553-162.0	1
27	Formteil/ Moulding/ Piece Profilee	5.030-466.0	1
28	O-Ring 018x2/ O-Ring 018x2/ Joint Torique 18x2	6.362-534.0	1
29	Schraubenfeder/ Coil Spring/ Ressort Helicoïdal	5.332-161.0	1
31	O-Ring Kpl./2st. -R./ O-Ring Complete/ Joint Torique Comp.	6.362-454.0	1
32	Stieb/ Strainer/ Passoir	6.414-252.0	1
33	O-Ring 13,3x2,4/ O-Ring/ Joint Torique	6.362-078.0	4
34	Schraubstutzen/ Screw Union/ Raccord Filete	4.401-044.0	1
35	Flachdichtung/ Flat Packing/ Garniture Plate	5.364-129.0	1
36	O-Ring 9x1,5/ O-Ring 9x1,5/ Joint Torique 9x1,5	6.362-384.0	2
37	Dueseneinsatz/ Nozzle Insert/ Insert de Tuyere	5.769-059.0	1
38	Zylinderkopf/ Cylinder Head/ Colasse de Cyl.	4.550-089.0	1
39	Schraubenfeder/ Coil Spring/ Ressort A Boudin	5.332-124.0	1
40	Stahlkugel 0 7/ Steel Ball/ Ball D'acier	7.401-909.0	1
42	Schlauchnippel/ Hose Stem/ Raccord Pour Tuyau	5.443-267.0	1
43	O-Ring 6x2/ O-Ring 6x2/ Joint Torique 6x2	6.362-383.0	1
44	Hülse/ Sleeve/ Douille	5.110-245.0	1
46	Schauglas/ Inspection Glass/ Verre Indicateur	5.384-007.0	1



profi HD 555

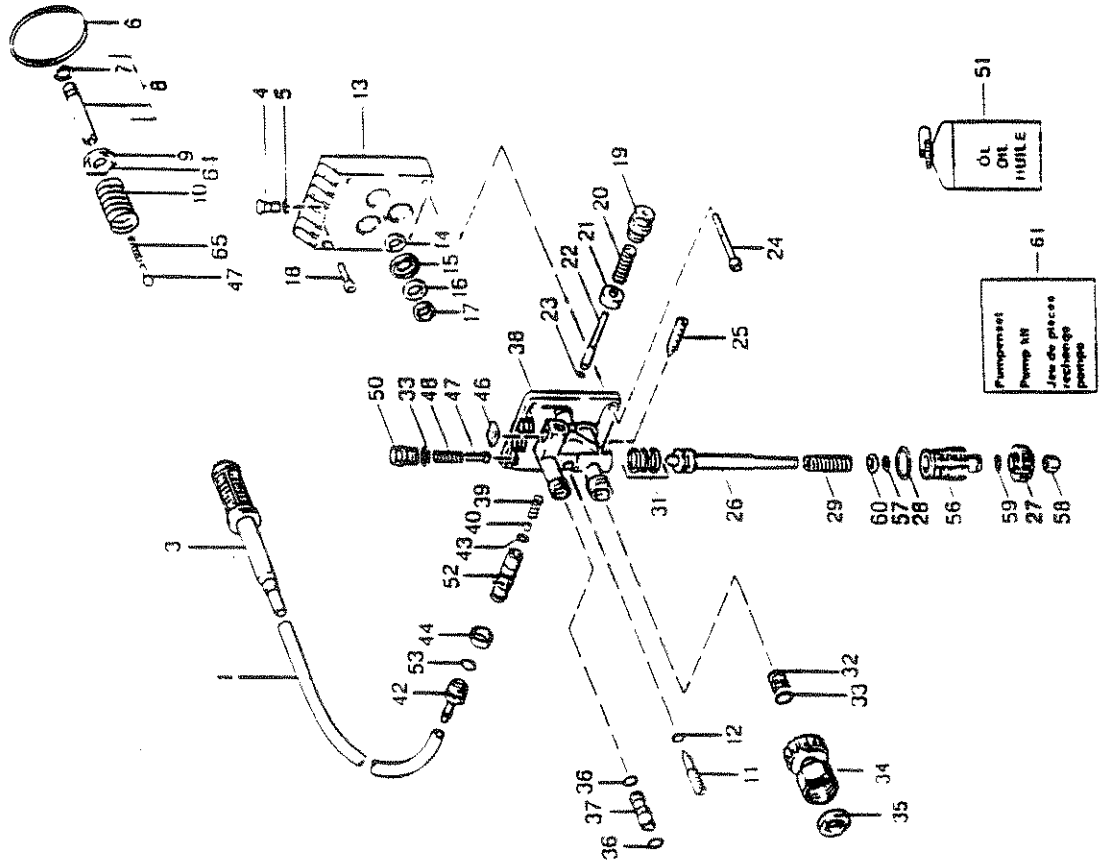
E1

Gruppe 1: Pumpensatz
 Group 1: Pump Unit
 Groupe 1: Moto-pompe

Pos.	Benennung Item Description Pos. Designation	Telle-Nr. Part-No. No. piece	Stück Qty. Nbr.
------	---	------------------------------------	-----------------------

ab Werk-Nr. 308 035/ from serial No. 308 035/a partir du N° de fabrication 308035

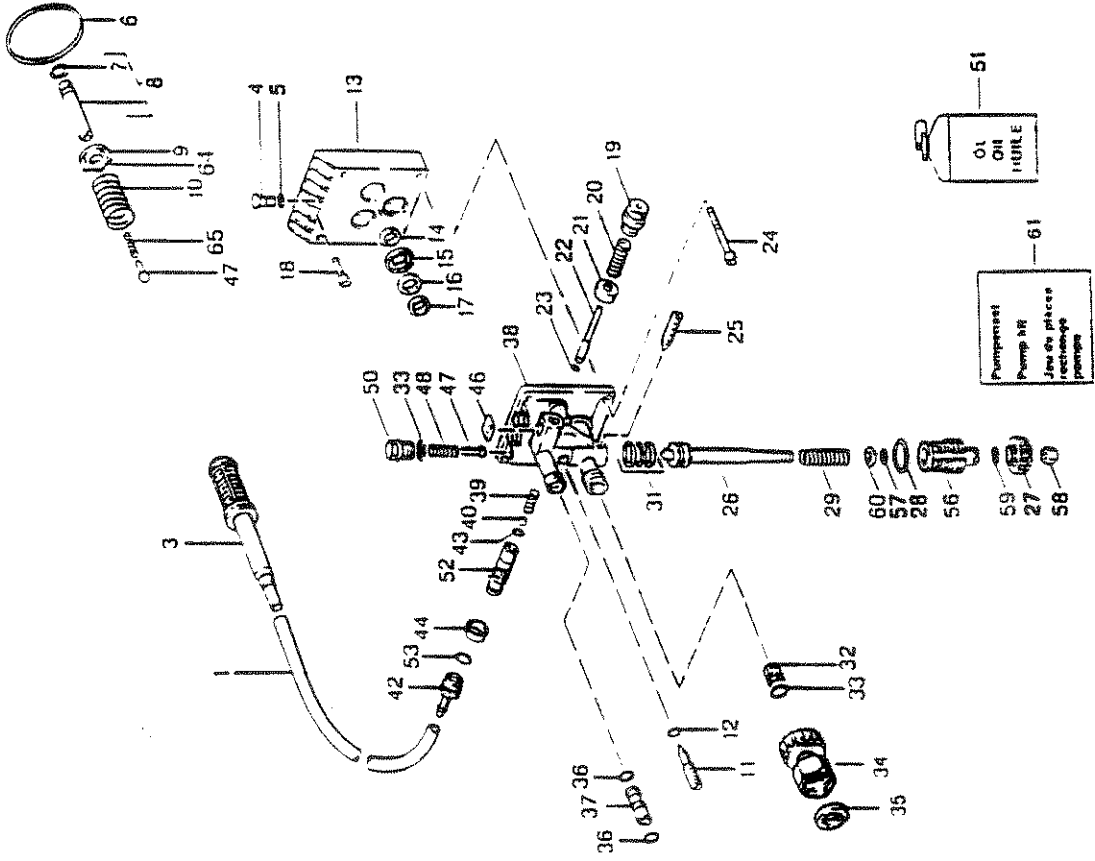
1	Schlauch NW 5 (Meterware)/ Hose NW 5 (Please Order in full metres)/ Flexible NW 5 (Vendu Au m)	6.388-216.0	2m
3	Filter/ Filter/ Filtre	6.414-277.0	1
4	Bolzen/ Pin/ Axe	5.316-139.0	1
5	O-Ring 4x1/ O-Ring 4 X 1/ Jointé Torique 4x1	6.362-452.0	1
6	O-Ring 85x2/ O-Ring 85x2/ Joint Torique 85x2	6.362-441.0	1
7	Sprengring A18/ Sealing Ring/ Circlip	7.343-473.0	3
8	Kolben/ Piston/ Piston	4.553-092.0	3
9	Formteil/ Preform/ Preforme	5.030-388.0	3
10	Schraubenfeder/ Coil Spring/ Ressort A Boudin	5.332-152.0	3
11	Formschraube/ Special Screw/ Vis de Forme	5.305-136.0	1
12	O-Ring 2x1/ O-Ring 2 X 1/ Joint Torique 2x1	6.362-508.0	1
13	Gehäuse/ Housing/ Boltier	5.060-187.0	1
14	Nutring/ Grooved Ring/ Joint En U A Levres	6.365-062.0	3
15	Scheibe/ Disk/ Disque	5.115-295.0	3
16	Scheibe/ Disk/ Disque	5.115-436.0	3
17	Nutring 018x26x5.3/ Grooved Ring/ Joint En U A Levres	6.365-063.0	3
18	Zyl-Schr. 15. M 6x16/ Cheese Head Screw/ Vis A Tete Cylindr.	7.306-020.0	2
19	Verschlusschraube/ Screw Plug/ Vis de Fermeture	5.411-051.0	1
20	Schraubenfeder/ Coil Spring/ Ressort A Boudin	5.332-158.0	1
21	Hülse/ Pod/ Douille	5.110-236.0	1
22	Kolben/ Piston/ Piston	5.553-131.0	1



G1

profi HD 555

Gruppe 1: Pumpensatz
 Group 1: Pump Unit
 Groupe 1: Moto-pompe



Pos. Benennung Item Description Pos. Designation	Teile-Nr. Part-No. No. piece	Stück Qty. Nbr.
--	------------------------------------	-----------------------

ab Werk-Nr. 308 035/ from serial No. 308 035/a partir du N° de fabrication 308035		
47 Ventilbolzen/ Valve Pin/ Axe de Soupape	5.584-046.0	6
48 Schraubenfeder/ Coil Spring/ Ressort A Boudin	5.332-151.0	3
50 Ventilschraube/ Valve Screw/ Vis de Soupape	5.583-064.0	3
51 Motorenoel II/ Engine Oil/ Huile A Moteurs	6.288-050.0	1
52 Schraubstutzen/ Screw Socket/ Manchon Filete	5.402-334.0	1
53 O-Ring 12.0x2.0/ O-Ring/ Joint Torique	6.362-189.0	1
56 Formschraube/ Special Screw/ Vis Profilee	5.305-135.0	1
57 O-Ring Kpl./ Ist.-R. / O-Ring Compl./ Joint Torique Compli	6.362-468.0	1
58 6kt-Mutter M 5/ Hexagon Nut M5/ Ecrou Hex. M5	7.311-421.0	1
59 O-Ring 10x1/ O-Ring 10x1/ Joint Torique 10x1	6.362-437.0	1
60 Scheibe/ Washer/ Rondelle	5.115-351.0	1
61 Pumpenset siehe Seite 7 (Bildtafel H16/116)/ Pump Kit see Page 7 (Board H16/116)/ Kit de Pompe voir Page 7 (Tableau H16/116)	2.880-462.0	1
64 Formteil/ Moulding/ Piece Profilee	5.030-527.0	3
65 Schraubenfeder/ Coil Spring/ Ressort Helicoidal	5.332-208.0	3

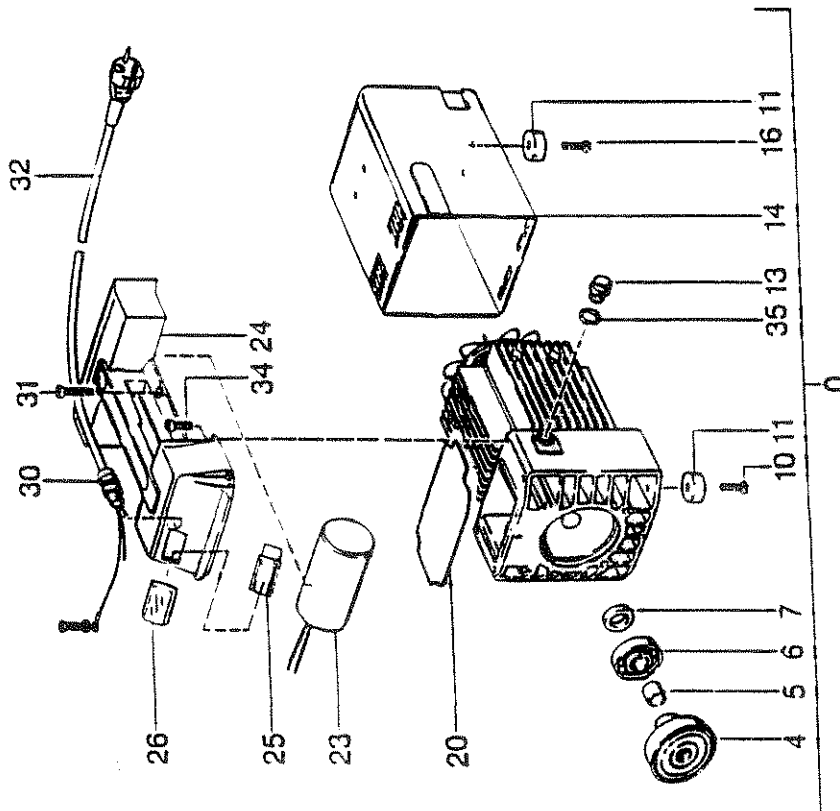


B 2

profi HD 555

Gruppe 2: Motor
Group 2: Motor
Groupe 2: Moteur

Pos.	Benennung Item Description	Teil-Nr. Part-No. No. piece	Stück Qty. Nbr.
0	Motor/ Moteur	6.612-153.0	1
4	Taumelscheibe/ Swash Plate/ Disque de Mutation	4.120-107.0	1
5	Toleranzring 20x18/ Tolerance Ring/ Entretoise	6.343-012.0	1
6	Schr.kugellag. 7304b/ Ang. Ball Bearing/ Roulement A Billes	7.401-034.0	1
7	M.dichttringa 25x35x7/ Oil Seal, 25/ Bague A Levres Ress	7.367-008.0	1
10	Zyl.schr. M 5x 10/ Cheese Head Screw/ Vis A Tete Cylindr.	7.306-652.0	2
11	Auflager/ Support/ Appui	5.057-025.0	4
13	Verschlusschraube/ Screw Plug/ Vis de Fermeture	5.411-062.0	1
14	Haube/ Cap/ Capot	5.066-186.0	1
16	Zyl.schraube M5x16/ Cheese Head Screw/ Vis A Tete Cyl.	7.306-654.0	2
20	Profildichtung/ Profile Seal/ Joint Profile	5.365-130.0	1
23	Kondensator/ Capacitor/ Condensateur	6.661-108.0	1
24	Griff/ Handle/ Poignee	5.321-162.0	1
25	Schalter/ Switch/ Interrupteur	6.631-412.0	1
26	Schutzkappe/ Protecting Cap/ Capot Protection	6.631-315.0	1
30	Kabelverschr. Pg 11/ Cable Connector/ Record de Cables	6.641-668.0	1
31	Zyl-Schr. Is M5x12/ Cheese Head Screw/ Vis A Tete Cylindr.	7.306-011.0	2
32	Kabel mit Stecker/ Cable with Plug/ Cable avec Fiche	6.641-747.0	1



 **KÄRCHER**

A 3

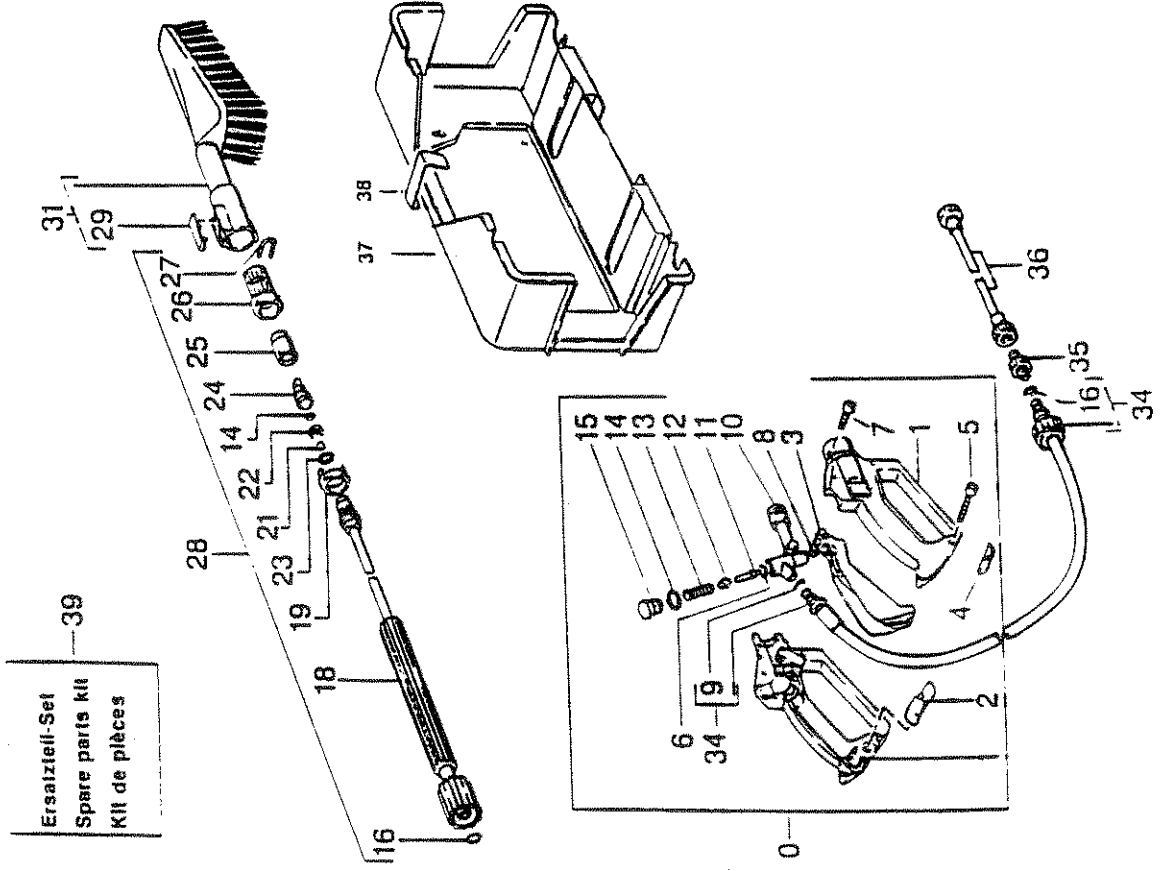
profi HD 555

Gruppe 3: Zubehör
Group 3: Accessories
Groupe 3: Accessoires

profi HD 555

C 3

Gruppe 3: Zubehör
Group 3: Accessories
Groupe 3: Accessoires



Pos.	Benennung Item Description	Telle Nr. Part-No. No. piece	Stück Qty. Nbr.
23	O-Ring 14x2.5/ O-Ring 14x2.5/ Joint Torique	6.362-460.0	1
24	Zweistrahldüse 045/ 1 to Nozzle/ FILLERE A Doble	6.415-461.0	1
25	6kt-Mutter/ Hexagon Nut/ Ecrrou Hexagonal	5.311-117.0	1
26	Schutzteil/ Protection Piece/ Piece de Protection	5.394-155.0	1
27	Haken/ Hook/ Crochet	5.037-064.0	1
28	Strahlrohr Kompl./ Spray Lance Compl./ Tube de Lance Compl.	4.760-166.0	1
29	Hebel/ Lever/ Levrier	5.481-054.0	1
31	Waschbuerste/ Wash Brush/ Brosse	4.762-046.0	1
34	Hd-Schlauch Nw6-10m/ Hp-Hose/ Tuyau Souple A Hp	6.388-854.0	1
35	Doppelstutzen/ Double Socket/ Tuyau de Rallonge	4.403-002.0	1
36	Hd-Schlauch Nw8-10m/ Hp-Hose/ Tuyau Souple A Hp	6.388-668.0	1
37	Behaelter/ Receptacle/ Reservoir	5.070-087.0	1
38	Halter/ Support/ Appui	5.042-419.0	1
39	Ersatzteilset siehe Seite 19 (Bildtafel M16)/ Spare Parts Kit See Page 19 (Board M16)/ Kit De Pieces Voir Page 19 (Tableau M16)	2.880-423.0	1



profi HD 555

H 16

Telle sind im Pumpenset 2.880-462 enthalten
 Parts included in pump kit 2.880-462
 Compris dans le jeu de pieces de rechange pompe 2.880-462

Seite Page Page	Bildtafel Group Groupe	Pos Item Pos.	Benennung Designation Designation	Telle-Nr. Part No. No. pieces	Stck. Qty. Nbr.
9/13	B1/E1	5	O-Ring/O-ring/Joint torique/ 4x1	6.362-452	1
		6	O-Ring/O-ring/Joint torique/ 85x2	6.362-441	1
		12	O-Ring/O-ring/Joint torique/ 2x1	6.362-508	1
		14	Nutring/Packing ring/Joint a levres/ 18x26x6/8	6.365-062	3
		16	Scheibe/Washer/Rondelle	5.115-296	3
		17	Nutring/Packing ring/Joint a levres/ 18x26x5,3	6.365-063	3
		20	Schraubenfeder/Coil spring/ Ressort helicoidal	5.332-158	1
		21	Hülse/Sleeve/Douille	5.110-236	1
	C1/F1	23	O-ring/O-ring/Joint torique	6.362-477	1
		33	O-Ring/O-ring/Joint torique/ 13,3x2,4	6.362-078	4
10/14		36	O-Ring/O-ring/Joint torique/ 9x1,5	6.362-384	2
		39	Schraubenfeder/Coil spring/ Ressort helicoidal	5.332-124	1
		40	Kugel D 7/Ball/Bille	7.401-909	1
		43	O-ring/O-ring/Joint torique/ 6x2	6.362-383	1
	D1/G1	47	Ventilboizen/Valve pin/ Poussoir de vanne	5.584-046	6
		48	Schraubenfeder/Coil spring/ Ressort helicoidal	5.332-151	6
		57	O-Ring/O-ring/Joint torique/ 5,28x1,78	6.362-468	1
11/15		59	O-Ring/O-ring/Joint torique/ 10x1	6.362-437	1
		60	Scheibe/Washer/Rondelle	5.115-351	1