

**Spare parts list**  
**(5.970-479.0) Spare parts list HD 4.0/36 P**

## Table of contents

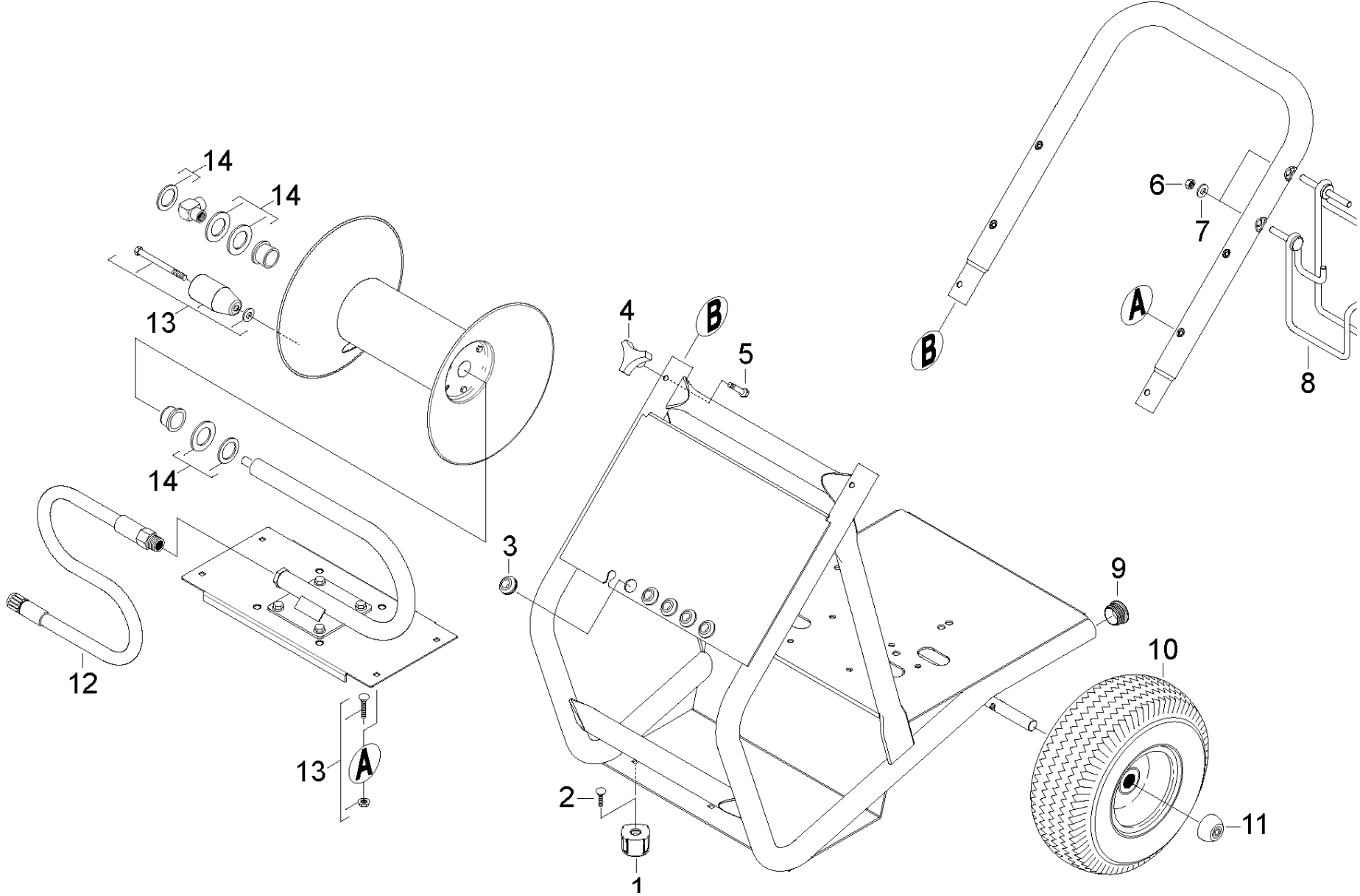
---

<b>Spare parts list HD 4.0/36 P (5.970-479.0)</b> .....	6
10 Frame .....	7
20 Pump set .....	9
21 Cylinder head .....	10
100 SPARE PARTS KIT fuer Pumpensatz (2.884-217.0) .....	13
22 Cylinder head .....	14
23 Piston .....	16
24 Piston .....	18
25 Chemistry .....	20
30 Motor .....	23
31 Motor .....	24
32 Transmission .....	27
33 Transmission .....	29
40 Accessories .....	31
41 Accessories .....	32
42 Accessories .....	34

**Spare parts list HD 4.0/36 P (5.970-479.0)**

---

<b>Pos</b>	<b>Name</b>	<b>Qty.</b>	<b>Unit</b>	<b>from ser.nr.</b>	<b>up to ser.nr.</b>
10	Frame	1.000	ST	0000000000	0000000000
20	Pump set	1.000	ST	0000000000	0000000000
30	Motor	1.000	ST	0000000000	0000000000
40	Accessories	1.000	ST	0000000000	0000000000



**10 Frame**

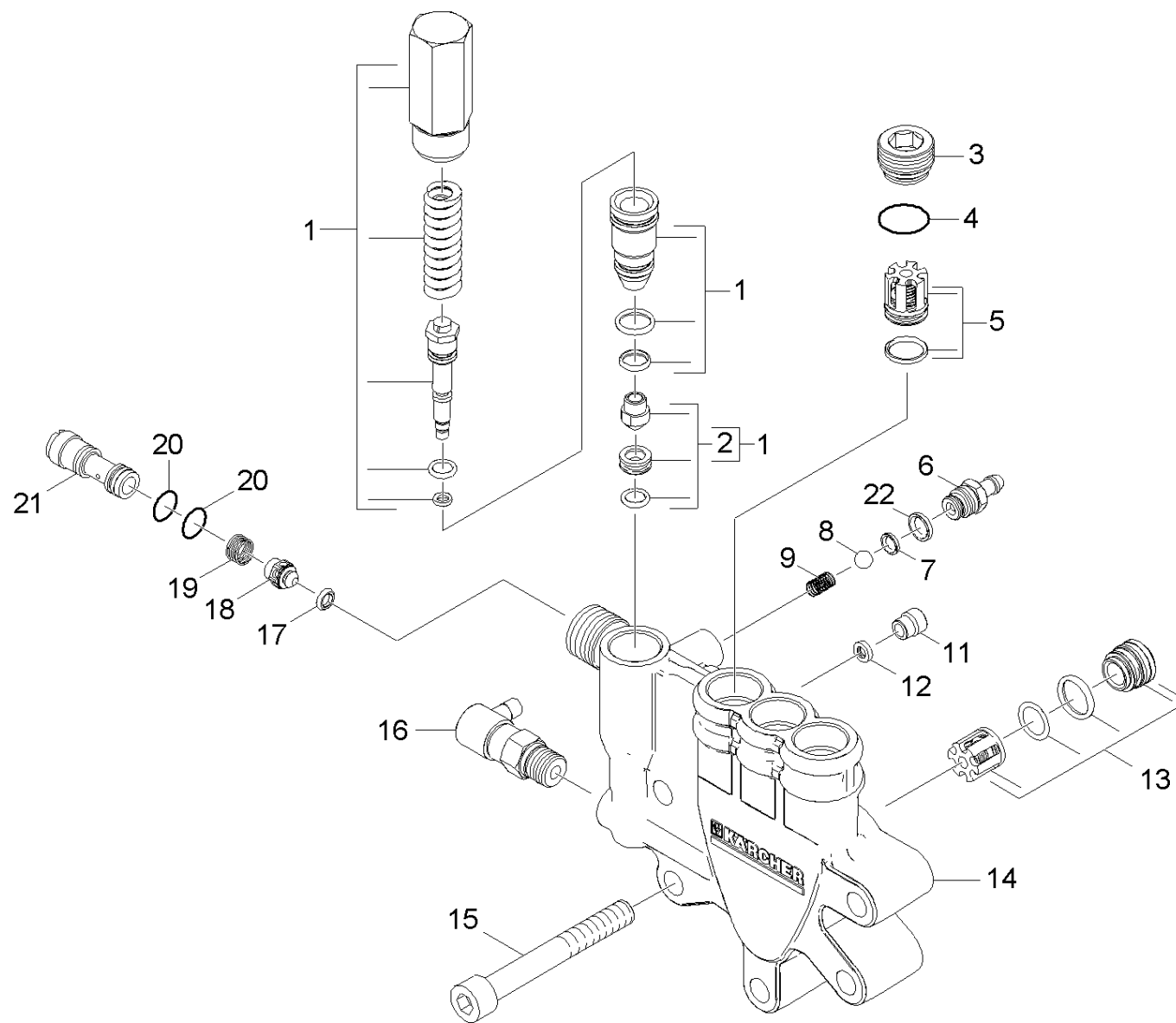
Pos	Material #	Name	Qty.	Unit	from ser.nr.	up to ser.nr.	Footnote text
1	9.183-409.0	RUBBER DAMPENER 5/16"-18FEMALE 2001	1.000	ST	0000000000	0000000000	ARTICLE ONLY AVAILABLE AT KNA
2	9.196-308.0	5/16-18 X 1/2 CARRIAGE BOLT A307 BLK	1.000	ST	0000000000	0000000000	ARTICLE ONLY AVAILABLE AT KNA
3	9.802-064.0	GROMMET, RUBBER, NOZZLE HOLDER	5.000	ST	0000000000	0000000000	
4	9.182-353.0	KNOB 1/4"-20,3PT. STAR	2.000	ST	0000000000	0000000000	
5	7.303-200.0	Saucer-head screw M 6x40-St-A0P DIN 603	2.000	ST	0000000000	0000000000	
6	5.310-105.0	5/16"-18 FINISHED HEX NUT ZINC	2.000	ST	0000000000	0000000000	
7	9.198-003.0	5/16 INTERNAL L/W .332 ID X .620 OD ZINC	2.000	ST	0000000000	0000000000	
8	9.142-010.0	HANGER WELD ASSY 45DEG LEFT (SOLO)	1.000	ST	0000000000	0000000000	
9	9.183-001.0	BLACK,PLUG PLASTIC	2.000	ST	0000000000	0000000000	
10	8.754-186.0	QH WHEEL ASSY, 10" GRAY STEEL RIM W/TUB	2.000	ST			ARTICLE ONLY AVAILABLE AT KNA
11	9.182-506.0	CAP BLACK PLASTIC,5/8"FASTENER	2.000	ST	0000000000	0000000000	ARTICLE ONLY AVAILABLE AT KNA
12	9.162-154.0	H.P. HOSE 3FT. 250BAR	1.000	ST	0000000000	0000000000	
13		SPARE PARTS-HANDLE SET	1.000	ST	0000000000	0000000000	
14		SPARE PARTS-SEALING KIT	1.000	ST	0000000000	0000000000	

## 20 Pump set

---

Pos	Name	Qty.	Unit	from ser.nr.	up to ser.nr.	var. information
21	Cylinder head	1.000	ST	100000	101484	VERSION 1
22	Cylinder head	1.000	ST	102001		VERSION 2
23	Piston	1.000	ST	100000	101484	VERSION 1
24	Piston	1.000	ST	102001		VERSION 2
25	Chemistry	1.000	ST	0000000000	0000000000	

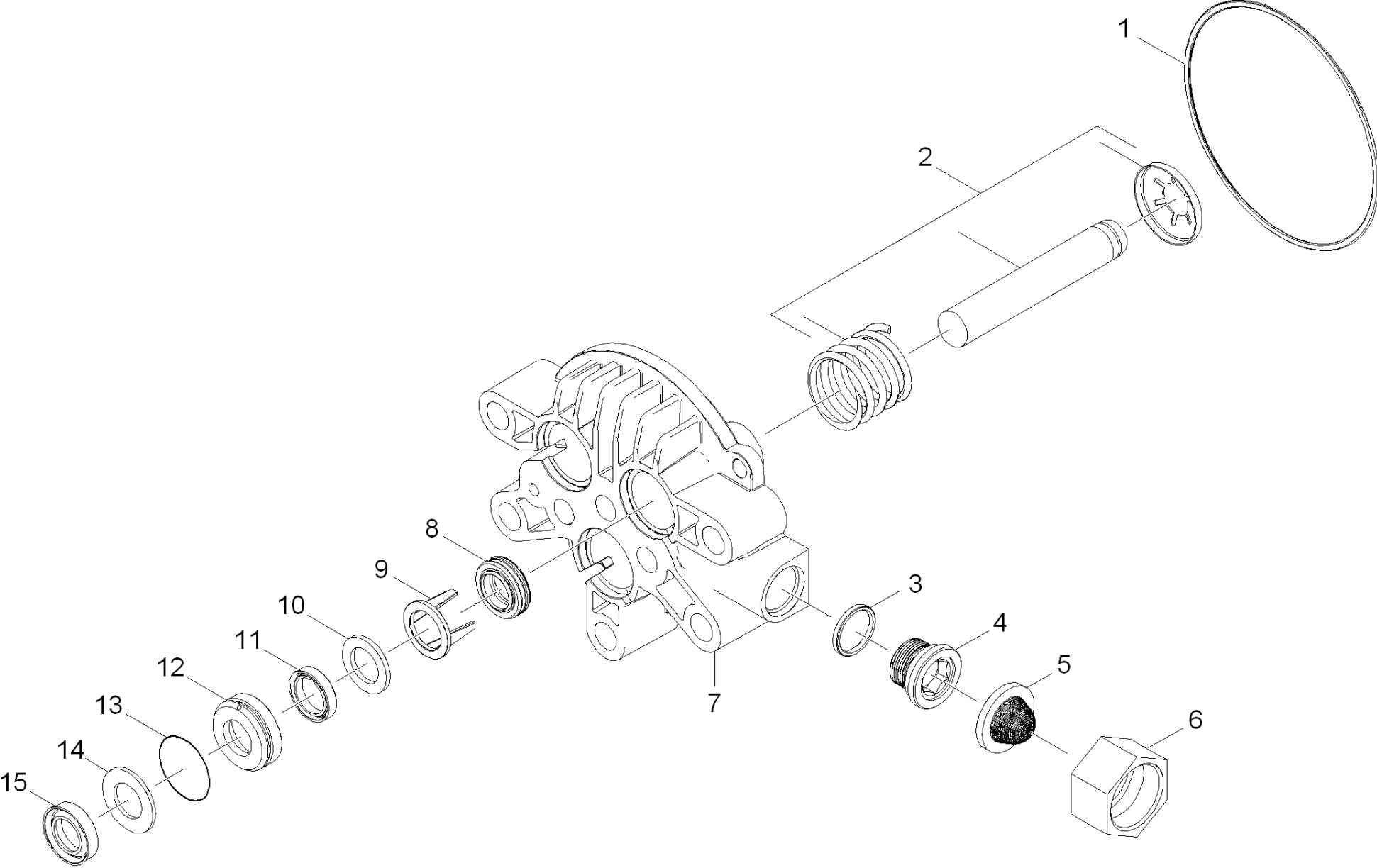
---



## 22 Cylinder head

ET/VT (spare/wear parts)	Pos	Material #	Name	Qty.	Unit	Footnote text
X	1	9.175-011.0	UNLOADER ASSY (9.120-019.0) PUMP	1.000	ST	
	2	9.139-359.0	Spare parts set seat excess-current	1.000	ST	
	3	9.154-047.0	Plug M22x1	3.000	ST	
X-X	4	6.362-481.0	O-Ring seal 14,0 x 2,0 NBR 80	3.000	ST	
X-X	5	2.884-512.0	Valve (3 Stueck)	1.000	ST	3 QTY.
	6	5.443-448.0	Nipple chemistry	1.000	ST	
X-X	7	6.362-175.0	O-Ring seal 5,28x 1,78	1.000	ST	
	8	7.401-908.0	Sphere 7 G300 -1.4301 DIN 5401	1.000	ST	
	9	5.332-258.0	Helical spring	1.000	ST	
	11	9.154-049.0	Plug M10x1	1.000	ST	
	12	9.151-014.0	RUPTURE DISK, 5000 PSI, BLUE	1.000	ST	
X	13	9.139-364.0	SPARE PART LIST 019 PUMP	1.000	ST	3 QTY.
	14	9.135-012.0	Cylinder Head-Machined	1.000	ST	
	15	7.306-072.0	Cylinder head screw M10X 80-8.8-A3E IS	5.000	ST	
X-X	16	9.184-013.0	THERMAL RELIEF VALVE	1.000	ST	
X-X	17	6.363-613.0	O-Ring seal 4 x 2 -NBR90	1.000	ST	
X	18	9.184-012.0	VALVE PIN-BACK PRESSURE	1.000	ST	
X	19	9.157-006.0	SPRING-VALVE PIN	1.000	ST	
X-X	20	6.362-384.0	O-Ring seal 9x1,5 - NBR 70	2.000	ST	
X-X	21	5.769-141.0	Nozzle insert	1.000	ST	
	22	6.362-451.0	O-Ring seal 8,0 x 1,0	1.000	ST	





**24 Piston**

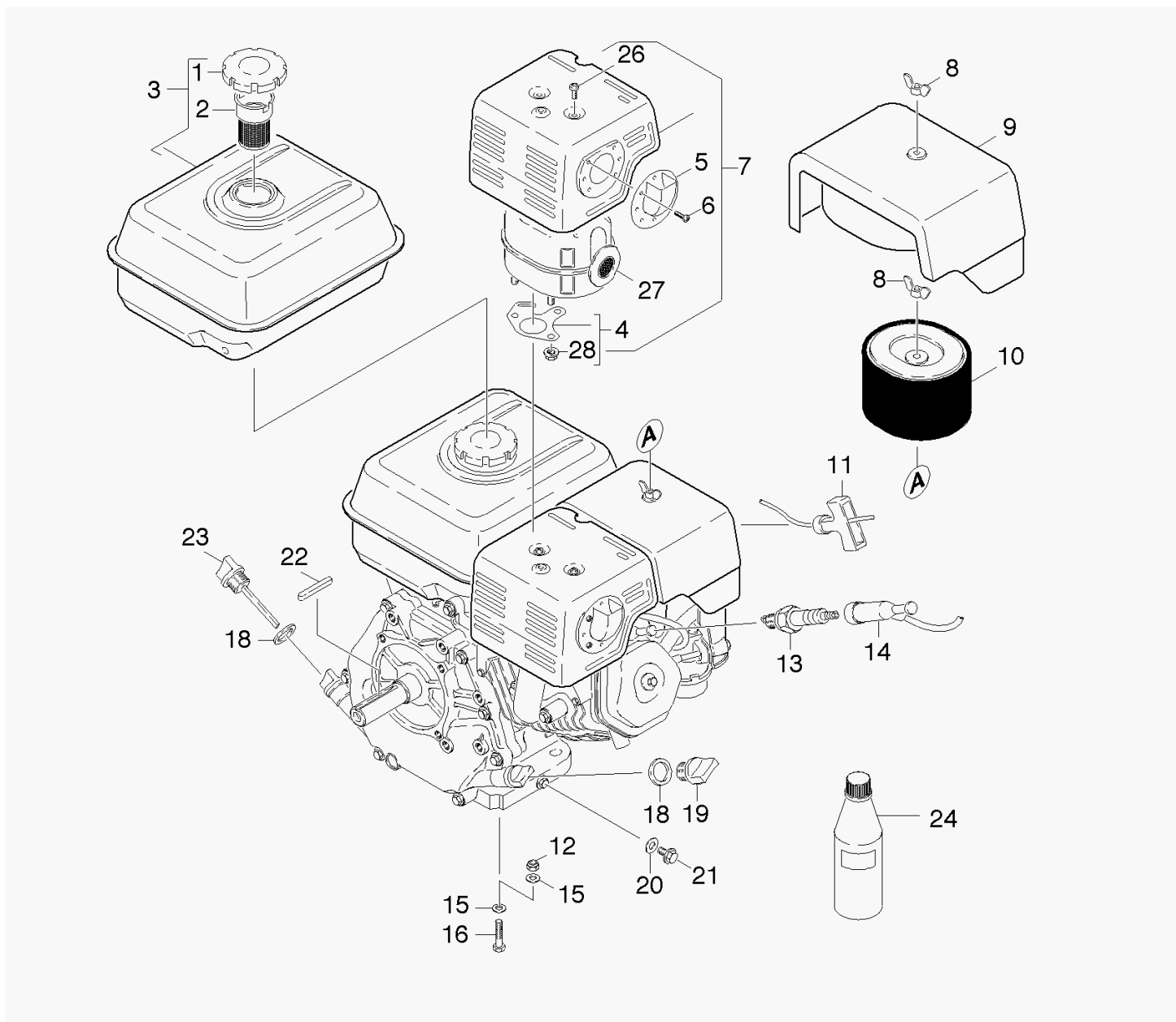
ET/VT (spare/wear parts)	Pos	Material #	Name	Qty.	Unit
X	1	6.363-067.0	O-Ring seal 92X2 NBR 70	1.000	ST
X	2	9.139-358.0	SPARE PART OF PISTON 9.120-019.0 PUMP	3.000	ST
X	3	6.362-390.0	O-Ring seal 15,6 X 1,78	1.000	ST
X-X	4	9.134-019.0	MALE ADAPTER	1.000	ST
X-X	5	9.181-005.0	FILTER SEAL-HOSE CONNECTOR-	1.000	ST
	6	9.155-013.0	FEMALE HOSE CONNECTOR	1.000	ST
	7	9.135-013.0	Piston Guide-4000 psi	1.000	ST
X-X	8	6.365-340.0	Grooved ring 14X22X5/7	3.000	ST
X-X	9	9.182-356.0	Spacer	3.000	ST
X-X	10	9.177-311.0	BACK RING-LOW PRESSURE SEAL	3.000	ST
X-X	11	6.365-438.0	Compact seal	3.000	ST
X	12	9.155-014.0	HOUSING-LOW PRESSURE SEAL	3.000	ST
X-X	13	6.362-376.0	O-Ring seal 24,0 X 1,5	3.000	ST
X-X	14	9.177-312.0	BACK RING-HIGH PRESSURE SEAL-	3.000	ST
X-X	15	9.177-313.0	Seal high pressure	3.000	ST

**30 Motor**

---

Pos	Name	Qty.	Unit	from ser.nr.	up to ser.nr.	var. information
31	Motor	1.000	ST	0000000000	0000000000	
32	Transmission	1.000	ST	0000000000	0000000000	VERSION 1
33	Transmission	1.000	ST			VERSION 2

---



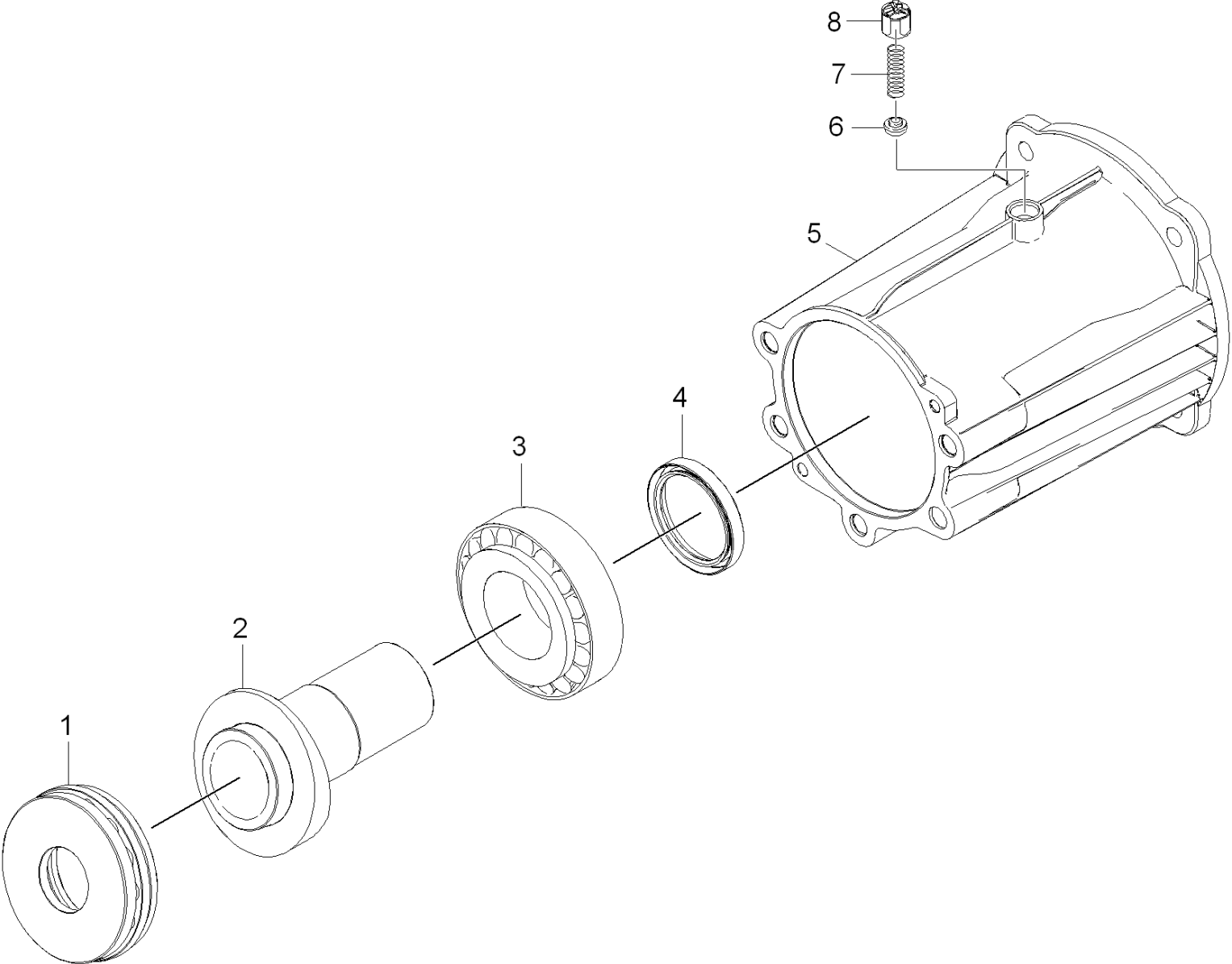
### 31 Motor

ET/VT (spare/wear parts)	Pos	Material #	Name	Qty.	Unit	from ser.nr.	up to ser.nr.
	1	6.491-347.0	Cap of a tank complete	1.000	ST	0000000000	0000000000
	2		Stockpiling discontinued	1.000	ST	0000000000	0000000000
	3	9.194-501.0	Tank	1.000	ST	0000000000	0000000000
	4	6.491-348.0	Seal	1.000	ST	0000000000	0000000000
	5	9.194-509.0	Cover exhaust	1.000	ST	0000000000	0000000000
	6	9.194-518.0	Screw M4X6	1.000	ST	0000000000	0000000000
	7	9.194-507.0	Exhaust complete	1.000	ST	0000000000	0000000000
	8	9.194-522.0	Wing nut	1.000	ST	0000000000	0000000000
	9	9.194-499.0	Cover blower	1.000	ST	0000000000	0000000000
X-X	10	6.491-345.0	Air filter insert	1.000	ST	0000000000	0000000000
	11	6.491-350.0	Starter rope complete	1.000	ST	0000000000	0000000000
	12		Stockpiling discontinued	4.000	ST	0000000000	0000000000
X-X	13	6.618-090.0	Ignition plug	1.000	ST	0000000000	0000000000
	14	9.194-514.0	Spark plug connector	1.000	ST	0000000000	0000000000
	15		Stockpiling discontinued	8.000	ST	0000000000	0000000000
	16		Stockpiling discontinued	4.000	ST	0000000000	0000000000
	18	9.194-496.0	Joint ring	2.000	ST	0000000000	0000000000
	19	9.194-495.0	DRAIN SCREW	1.000	ST	0000000000	0000000000
	20	9.194-526.0	Washer	1.000	ST	0000000000	0000000000
	21	9.194-520.0	Bolt	1.000	ST	0000000000	0000000000
	22	6.491-176.0	Parallel key 6,3X36	1.000	ST	0000000000	0000000000
	23	9.194-492.0	Oil level gauge	1.000	ST	0000000000	0000000000
X-X	24	6.288-050.0	Engine oil 1L	1.000	ST	0000000000	0000000000
	26	9.194-516.0	SCREW,TAPPING 4X6 GX160 MUFFLE	1.000	ST	0000000000	0000000000
	27	9.194-505.0	Exhaust	1.000	ST	0000000000	0000000000

**31 Motor**

---

ET/VT (spare/wear parts)	Pos	Material #	Name	Qty.	Unit	from ser.nr.	up to ser.nr.
	28	9.194-524.0	Nut	1.000	ST	0000000000	0000000000



### 33 Transmission

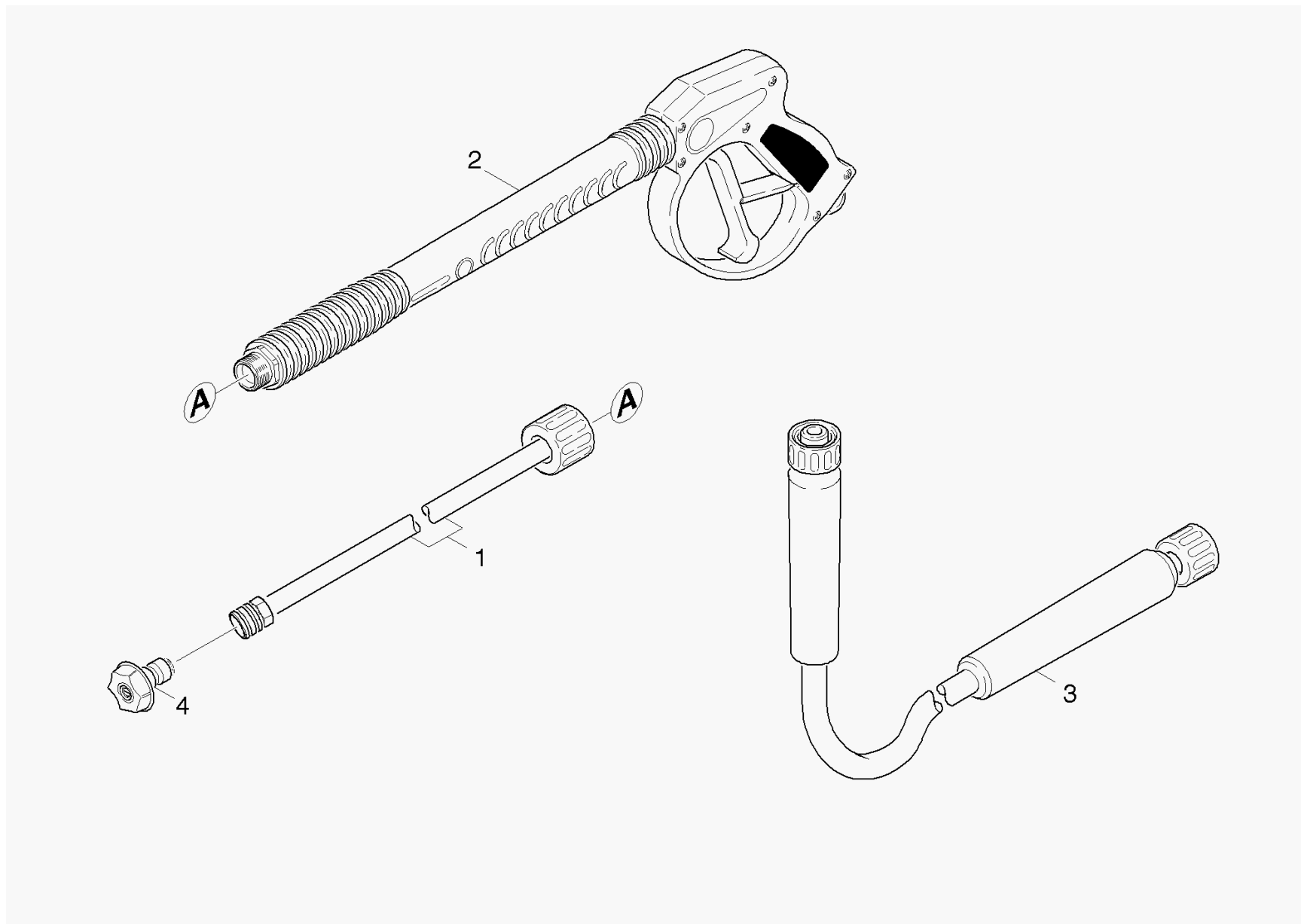
ET/VT (spare/wear parts)	Pos	Material #	Name	Qty.	Unit
X-X	1	4.401-096.0	Deep groove ball thrust bearing only for	1.000	ST
	2	9.165-256.0	Swash Plate-Machined	1.000	ST
X-X	3	6.401-225.0	Taper roller bearing 41	1.000	ST
X-X	4	7.367-011.0	Radial shaft seal ring A40x52x7-NBR DIN	1.000	ST
	5	9.135-014.0	Oil Housing-Machined	1.000	ST
	6	5.582-080.0	Valve disc	1.000	ST
	7	5.332-209.0	Helical spring	1.000	ST
	8	5.030-533.0	Moulded part	1.000	ST



## 40 Accessories

---

Pos	Name	Qty.	Unit	var. information
41	Accessories	1.000	ST	VERSION 1
42	Accessories	1.000	ST	VERSION 2

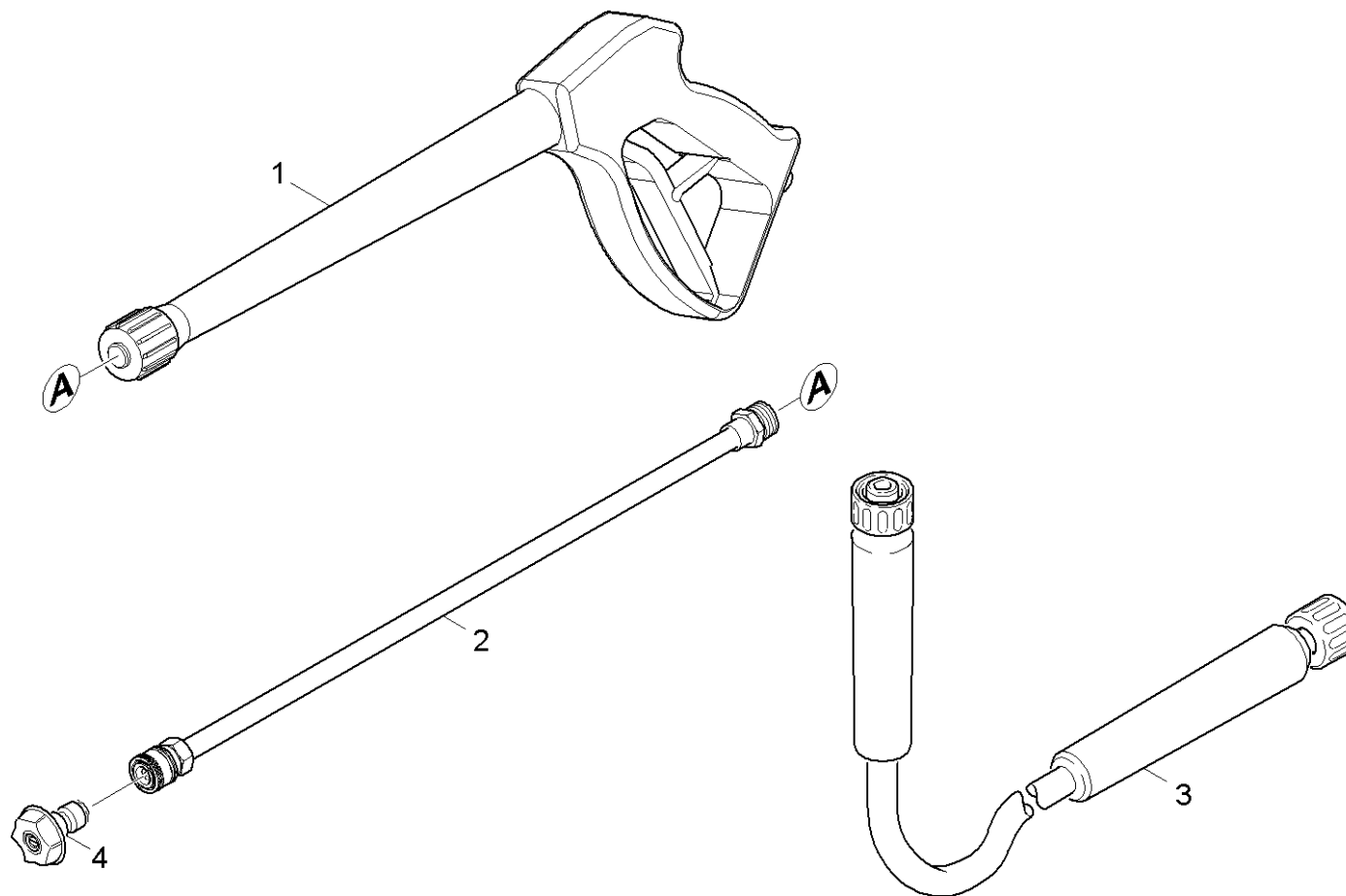


#### 41 Accessories

---

Pos	Material #	Name	Qty.	Unit	from ser.nr.	up to ser.nr.
1	9.112-508.0	LANCE -Q/C FEMALE	1.000	ST	0000000000	0000000000
2	9.112-009.0	TRIGGER GUN SK2 M22x1.5 MALE/MALE	1.000	ST	0000000000	0000000000
3	9.162-323.0	HP HOSE DN8/50'/4000/NOLOGO/BLK/RBR	1.000	ST	0000000000	0000000000
4	9.104-030.0	Q/C NOZZLE KIT (040)	1.000	ST		
4	9.104-021.0	MC Q/C NOZZLE KIT (045)	1.000	ST	0000000000	0000000000

---



**42 Accessories**

---

Pos	Material #	Name	Qty.	Unit
1	8.754-381.0	MV925 GUN 4500 PSI	1.000	ST
2	9.802-220.0	WAND, 18" M22 x 1/4" QC	1.000	ST
3	9.162-323.0	HP HOSE DN8/50'/4000/NOLOGO/BLK/RBR	1.000	ST
4		MC Q/C NOZZLE KIT (0325)	1.000	ST