

**Spare parts list**  
**(5.970-479.0) Spare parts list HD 4.0/36 P**

## Table of contents

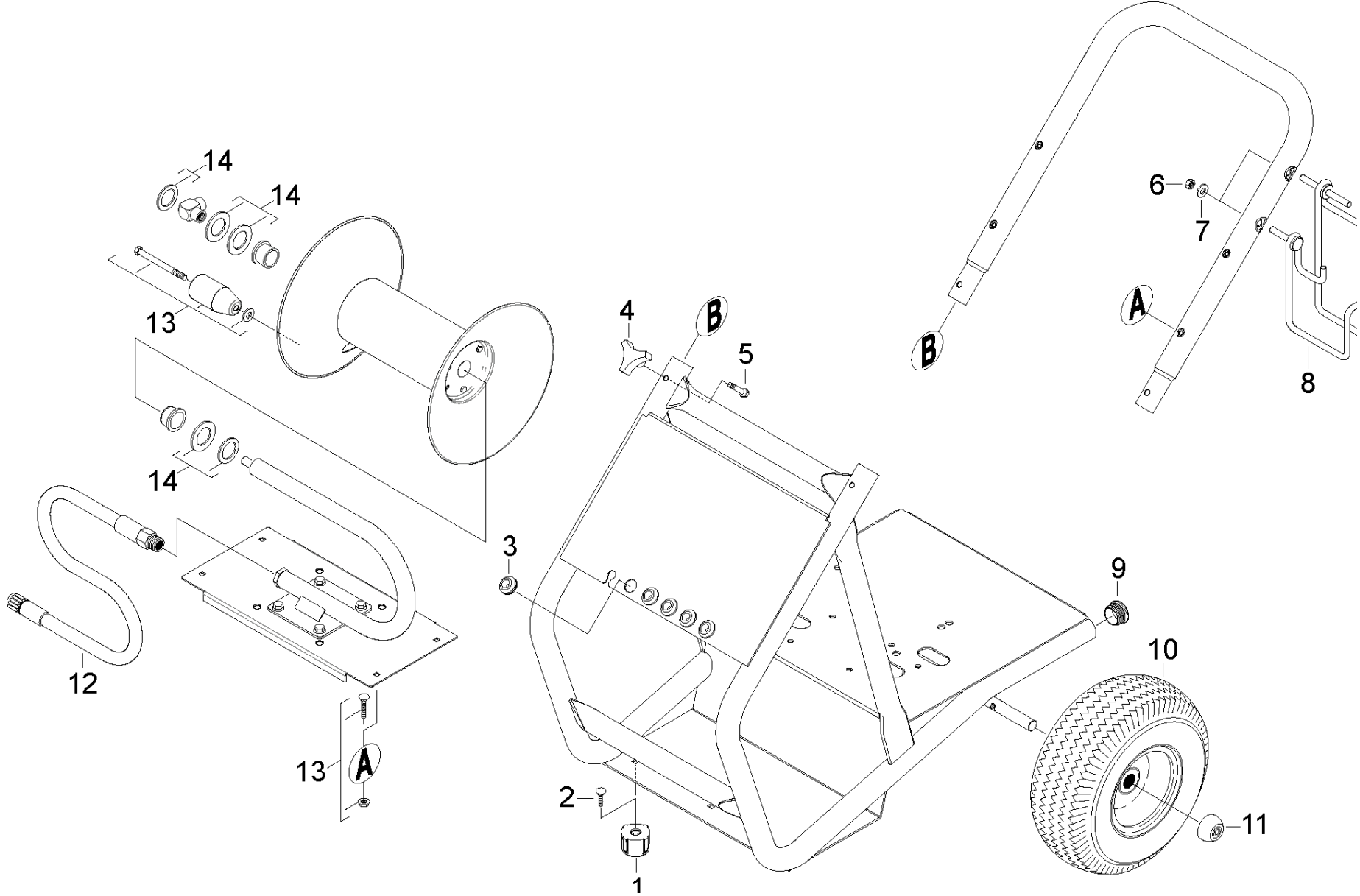
---

<b>Spare parts list HD 4.0/36 P (5.970-479.0)</b> .....	6
10 Frame .....	7
20 Pump set .....	9
21 Cylinder head .....	10
100 SPARE PARTS KIT fuer Pumpensatz (2.884-217.0) .....	13
22 Cylinder head .....	14
23 Piston .....	16
24 Piston .....	18
25 Chemistry .....	20
30 Motor .....	23
31 Motor .....	24
32 Transmission .....	27
33 Transmission .....	29
40 Accessories .....	31
41 Accessories .....	32
42 Accessories .....	34

**Spare parts list HD 4.0/36 P (5.970-479.0)**

---

<b>Pos</b>	<b>Name</b>	<b>Qty.</b>	<b>Unit</b>	<b>from ser.nr.</b>	<b>up to ser.nr.</b>
10	Frame	1.000	ST	0000000000	0000000000
20	Pump set	1.000	ST	0000000000	0000000000
30	Motor	1.000	ST	0000000000	0000000000
40	Accessories	1.000	ST	0000000000	0000000000



**10 Frame**

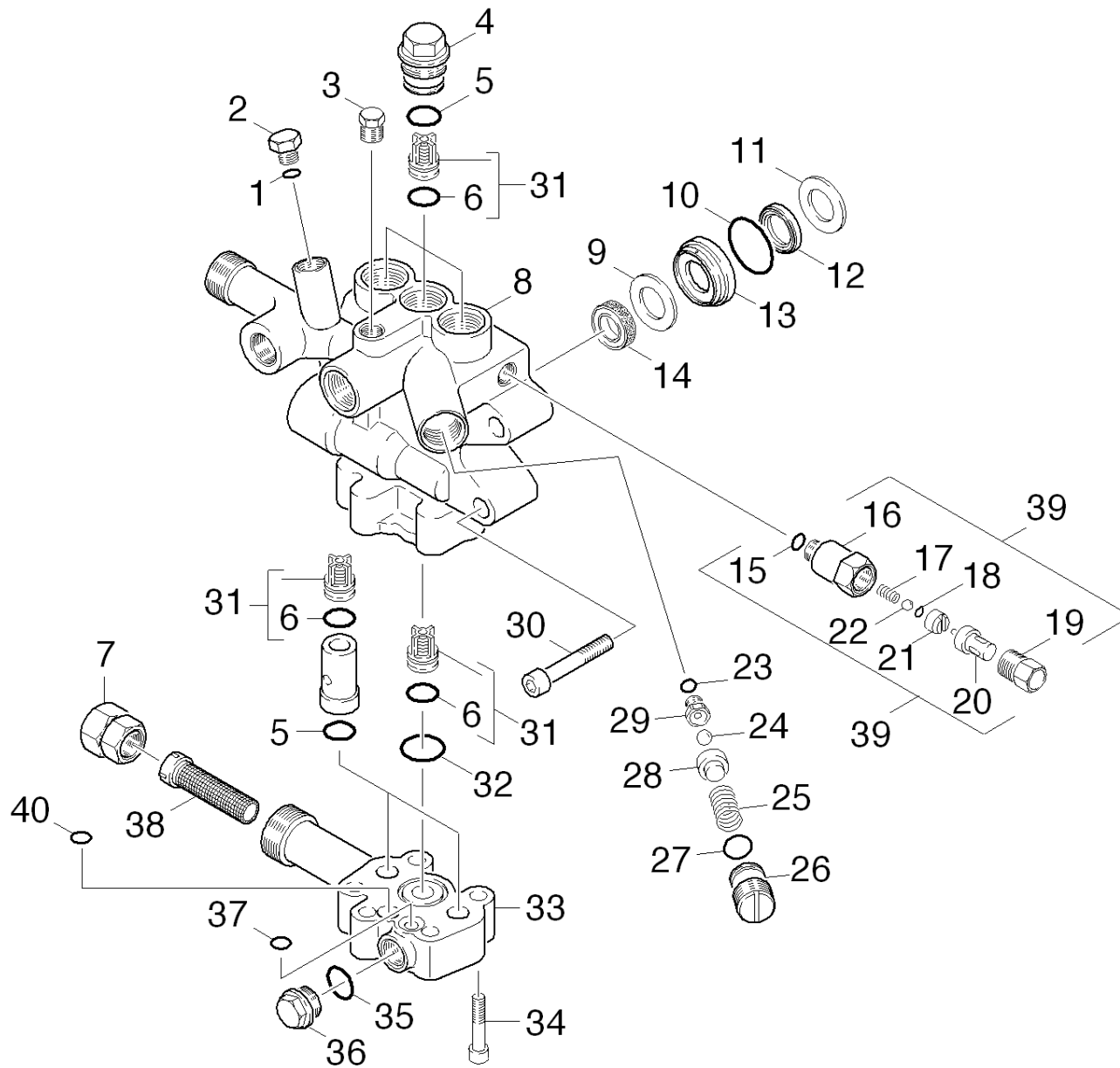
Pos	Material #	Name	Qty.	Unit	from ser.nr.	up to ser.nr.	Footnote text
1	9.183-409.0	RUBBER DAMPENER 5/16"-18FEMALE 2001	1.000	ST	0000000000	0000000000	ARTICLE ONLY AVAILABLE AT KNA
2	9.196-308.0	5/16-18 X 1/2 CARRIAGE BOLT A307 BLK	1.000	ST	0000000000	0000000000	ARTICLE ONLY AVAILABLE AT KNA
3	9.802-064.0	GROMMET, RUBBER, NOZZLE HOLDER	5.000	ST	0000000000	0000000000	
4	9.182-353.0	KNOB 1/4"-20,3PT. STAR	2.000	ST	0000000000	0000000000	
5	7.303-200.0	Saucer-head screw M 6x40-St-A0P DIN 603	2.000	ST	0000000000	0000000000	
6	5.310-105.0	5/16"-18 FINISHED HEX NUT ZINC	2.000	ST	0000000000	0000000000	
7	9.198-003.0	5/16 INTERNAL L/W .332 ID X .620 OD ZINC	2.000	ST	0000000000	0000000000	
8	9.142-010.0	HANGER WELD ASSY 45DEG LEFT (SOLO)	1.000	ST	0000000000	0000000000	
9	9.183-001.0	BLACK,PLUG PLASTIC	2.000	ST	0000000000	0000000000	
10	8.754-186.0	QH WHEEL ASSY, 10" GRAY STEEL RIM W/TUB	2.000	ST			ARTICLE ONLY AVAILABLE AT KNA
11	9.182-506.0	CAP BLACK PLASTIC,5/8"FASTENER	2.000	ST	0000000000	0000000000	ARTICLE ONLY AVAILABLE AT KNA
12	9.162-154.0	H.P. HOSE 3FT. 250BAR	1.000	ST	0000000000	0000000000	
13		SPARE PARTS-HANDLE SET	1.000	ST	0000000000	0000000000	
14		SPARE PARTS-SEALING KIT	1.000	ST	0000000000	0000000000	

## 20 Pump set

---

Pos	Name	Qty.	Unit	from ser.nr.	up to ser.nr.	var. information
21	Cylinder head	1.000	ST	100000	101484	VERSION 1
22	Cylinder head	1.000	ST	102001		VERSION 2
23	Piston	1.000	ST	100000	101484	VERSION 1
24	Piston	1.000	ST	102001		VERSION 2
25	Chemistry	1.000	ST	0000000000	0000000000	

---



## 21 Cylinder head

ET/VT (spare/wear parts)	Pos	Material #	Name	Qty.	Unit	from ser.nr.	up to ser.nr.
X	1	6.362-113.0	O-Ring seal 6,0 x 2,0 NBR 70	1.000	ST	0000000000	0000000000
X-X	2	5.411-070.0	Screw plug	1.000	ST	0000000000	0000000000
X	3	7.382-274.0	Screw plug R1/8"-CuZn DIN 909	1.000	ST	0000000000	0000000000
X-X	4	5.583-146.0	Valve screw	4.000	ST	0000000000	0000000000
X-X	5	6.362-481.0	O-Ring seal 14,0 x 2,0 NBR 80	6.000	ST	0000000000	0000000000
X-X	6	6.363-003.0	O-Ring seal 13,0 X 2,0-NBR 90	6.000	ST	0000000000	0000000000
	7	9.154-009.0	Coupling element 3/4"	1.000	ST	0000000000	0000000000
	8	5.550-273.0	Cylinder head	1.000	ST	0000000000	0000000000
X-X	9	5.115-492.0	Washer	3.000	ST	0000000000	0000000000
X-X	10	6.362-398.0	O-Ring seal 27,5 X 1,5-NBR 70	3.000	ST	0000000000	0000000000
X-X	11	5.115-493.0	Washer	3.000	ST	0000000000	0000000000
X-X	12	6.365-351.0	Compact seal 16 x 24 x 4	3.000	ST	0000000000	0000000000
X-X	13	5.112-402.0	Bush	3.000	ST	0000000000	0000000000
X-X	14	6.365-408.0	Grooved ring 16x24x5.3	3.000	ST	0000000000	0000000000
	15	6.362-101.0	O-Ring seal 8 X 2	1.000	ST	0000000000	0000000000
	16	5.402-637.0	Screw union	1.000	ST	0000000000	0000000000
	17	5.332-233.0	Helical spring	1.000	ST	0000000000	0000000000
X	18	6.363-599.0	O-Ring seal 4,0 x 2,0	1.000	ST	0000000000	0000000000
	19	5.411-150.0	Screw plug	1.000	ST	0000000000	0000000000
	20	6.413-067.0	Thermovalve	1.000	ST	0000000000	0000000000
	21	5.115-876.0	Washer	1.000	ST	0000000000	0000000000
	22	7.401-009.0	Sphere 4,762 KL3-1.4301 DIN 5401	1.000	ST	0000000000	0000000000
X-X	23	6.362-703.0	O-Ring seal 6,0x1,5-NBR 70	1.000	ST	0000000000	0000000000
	24	7.401-908.0	Sphere 7 G300 -1.4301 DIN 5401	2.000	ST	0000000000	0000000000
X-X	25	5.332-203.0	Helical spring	1.000	ST	0000000000	0000000000

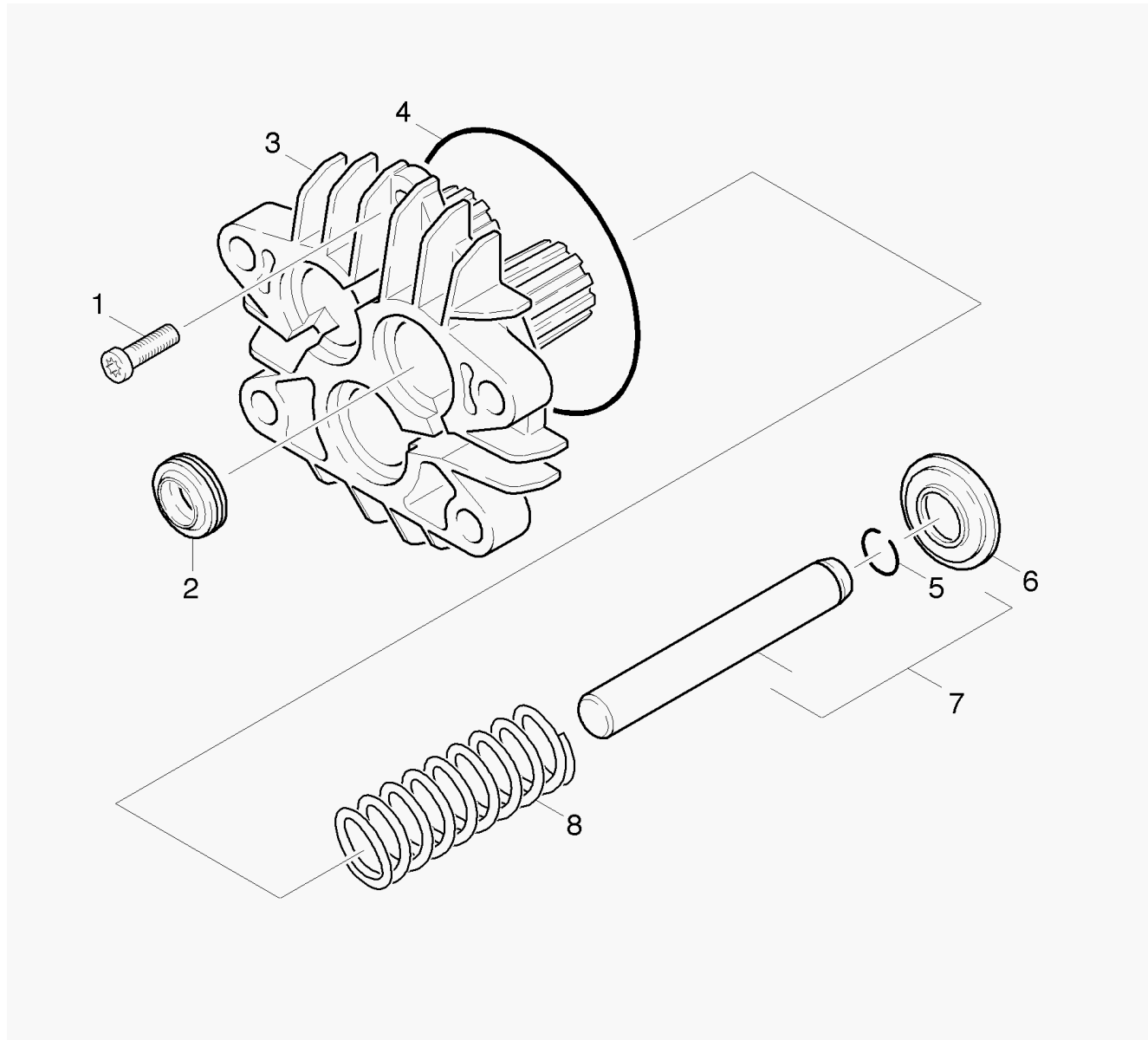


## 21 Cylinder head

ET/VT (spare/wear parts)	Pos	Material #	Name	Qty.	Unit	from ser.nr.	up to ser.nr.
	26	5.583-089.0	Valve screw	1.000	ST	0000000000	0000000000
X-X	27	6.362-169.0	O-Ring seal 12,0 X 2,0	1.000	ST	0000000000	0000000000
X	28	5.582-075.0	Valve disc	1.000	ST	0000000000	0000000000
X	29	5.581-218.0	Valve seat	1.000	ST	0000000000	0000000000
X-X	30	7.306-125.0	Cylinder head screw M10x70-8.8-A3E ISO4	4.000	ST	0000000000	0000000000
X-X	31	2.884-512.0	Valve (3 Stueck)	1.000	ST	0000000000	0000000000
X-X	32	6.362-547.0	O-Ring seal 20,0x1,5-NBR 70	1.000	ST	0000000000	0000000000
	33	5.060-809.0	Valve housing	1.000	ST	0000000000	0000000000
X-X	34	7.306-044.0	Cylinder head screw M8x35 -8.8-A2E ISO4	5.000	ST	0000000000	0000000000
	35	6.362-427.0	O-Ring seal 15,0x2,0	1.000	ST	0000000000	0000000000
X-X	36	7.382-235.0	Screw plug M18x1,5-A-CuZn DIN 7604	1.000	ST	0000000000	0000000000
X-X	37	6.362-384.0	O-Ring seal 9x1,5 - NBR 70	3.000	ST	0000000000	0000000000
X-X	38	6.414-282.0	Strainer	1.000	ST	0000000000	0000000000
X	39	4.580-355.0	Therموالve	1.000	ST	0000000000	0000000000
X-X	40	6.362-658.0	O-Ring seal 7 X 1,5-NBR 90	1.000	ST		
	100	2.884-217.0	SPARE PARTS KIT fuer Pumpensatz	1.000	ST	0000000000	0000000000

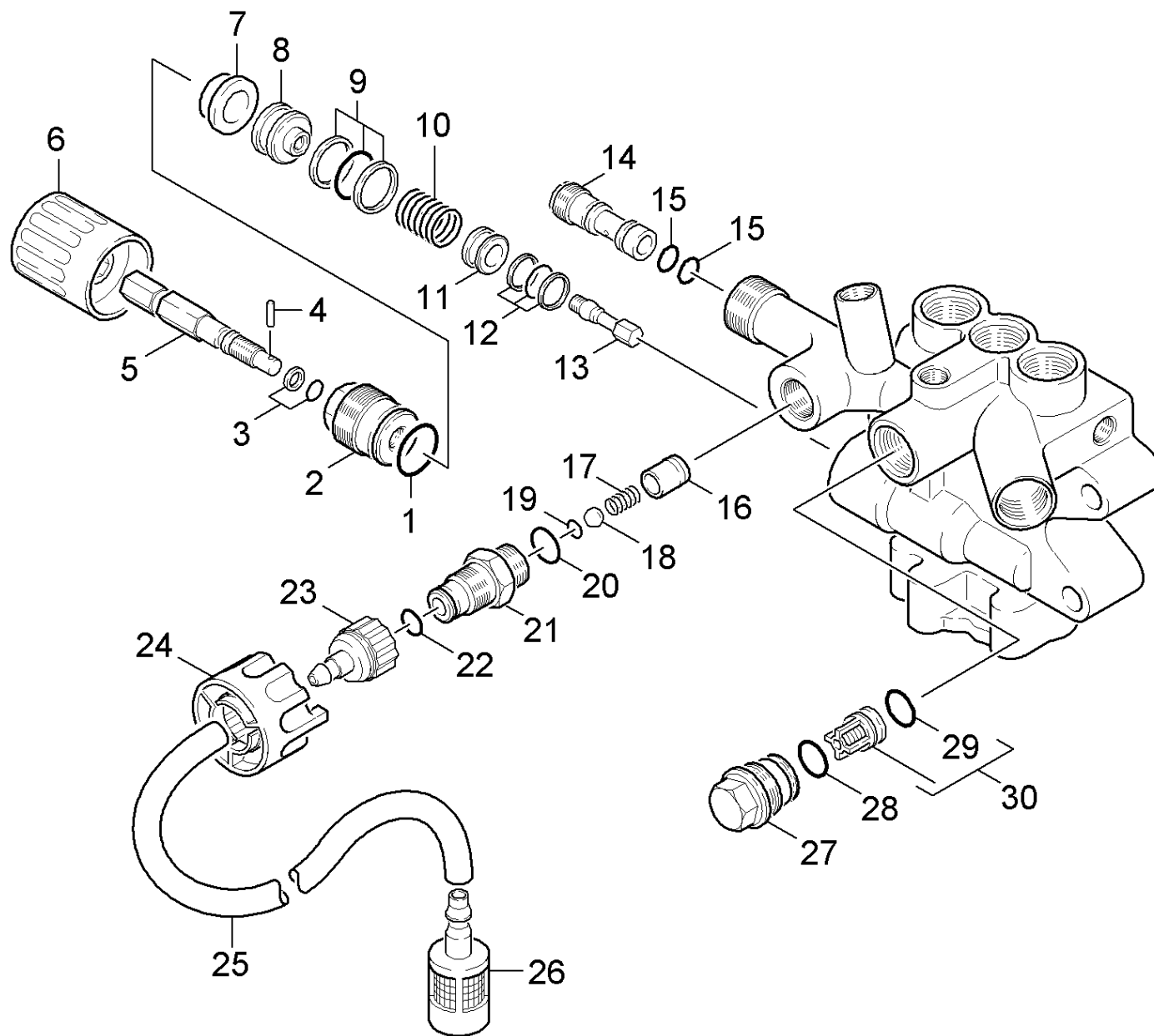
**100 SPARE PARTS KIT fuer Pumpensatz (2.884-217.0)**

ET/VT (spare/wear parts)	Pos	Material #	Name	Qty.	Unit	from ser.nr.	up to ser.nr.
X-X	10	4.580-323.0	Valve complete	1.000	ST	0000000000	0000000000
X-X	30	2.884-512.0	Valve (3 Stueck)	2.000	ST	0000000000	0000000000
X-X	40	5.112-402.0	Bush	3.000	ST	0000000000	0000000000
X-X	50	5.115-492.0	Washer	3.000	ST	0000000000	0000000000
X-X	60	5.115-493.0	Washer	3.000	ST	0000000000	0000000000
X-X	70	6.362-398.0	O-Ring seal 27,5 X 1,5-NBR 70	3.000	ST	0000000000	0000000000
X-X	80	6.362-450.0	O-Ring seal complete 2ST.-R.	1.000	ST	0000000000	0000000000
X-X	90	6.362-481.0	O-Ring seal 14,0 x 2,0 NBR 80	6.000	ST	0000000000	0000000000
X-X	100	6.362-547.0	O-Ring seal 20,0x1,5-NBR 70	1.000	ST	0000000000	0000000000
X-X	110	6.362-963.0	O-Ring seal 88,57X 2,62	1.000	ST	0000000000	0000000000
X-X	120	6.362-977.0	O-Ring seal complete 2ST.-R.	1.000	ST	0000000000	0000000000
X-X	130	6.365-322.0	Grooved ring 16X24X7	3.000	ST	0000000000	0000000000
X-X	140	6.365-351.0	Compact seal 16 x 24 x 4	3.000	ST	0000000000	0000000000
X-X	150	6.365-408.0	Grooved ring 16x24x5.3	3.000	ST	0000000000	0000000000



## 23 Piston

ET/VT (spare/wear parts)	Pos	Material #	Name	Qty.	Unit	from ser.nr.	up to ser.nr.
	1	7.306-094.0	Screw M6x25 -8.8-R3R (In6Rd)	2.000	ST	0000000000	0000000000
X-X	2	6.365-322.0	Grooved ring 16X24X7	3.000	ST	0000000000	0000000000
	3	5.060-676.0	Housing	1.000	ST	0000000000	0000000000
X-X	4	6.362-963.0	O-Ring seal 88,57X 2,62	1.000	ST	0000000000	0000000000
X	5	7.343-478.0	Snap ring A16 -FST DIN 7993	3.000	ST	0000000000	0000000000
X-X	6	5.115-689.0	Washer	3.000	ST	0000000000	0000000000
X-X	7	4.553-172.0	Piston complete	3.000	ST	0000000000	0000000000
X-X	8	5.332-403.0	Helical spring	3.000	ST	0000000000	0000000000



## 25 Chemistry

ET/VT (spare/wear parts)	Pos	Material #	Name	Qty.	Unit	from ser.nr.	up to ser.nr.	Footnote text
	1	6.362-989.0	O-Ring seal 18x2 - NBR 80	1.000	ST	0000000000	0000000000	
X	2	5.583-147.0	Valve screw	1.000	ST	0000000000	0000000000	
X-X	3	6.362-468.0	O-Ring seal complete 1ST.-R.	1.000	ST	0000000000	0000000000	
X	4	7.314-629.0	Grooved pin 2x10 -A1 ISO 8742	1.000	ST	0000000000	0000000000	
X-X	5	4.291-014.0	Spindle complete	1.000	ST	0000000000	0000000000	
X	6	5.321-307.0	Handhold	1.000	ST	0000000000	0000000000	
X	7	5.110-630.0	Sleeve	1.000	ST	0000000000	0000000000	
X	8	5.553-363.0	Piston excess-current	1.000	ST	0000000000	0000000000	
X-X	9	6.362-977.0	O-Ring seal complete 2ST.-R.	1.000	ST	0000000000	0000000000	
	10	5.332-425.0	Helical spring	1.000	ST	0000000000	0000000000	
	11	5.581-214.0	Valve seat	1.000	ST	0000000000	0000000000	
X-X	12	6.362-450.0	O-Ring seal complete 2ST.-R.	1.000	ST	0000000000	0000000000	
	13	5.305-263.0	Shaped screw	1.000	ST	0000000000	0000000000	
X-X	14	5.769-141.0	Nozzle insert	1.000	ST	0000000000	0000000000	
X-X	15	6.362-384.0	O-Ring seal 9x1,5 - NBR 70	2.000	ST	0000000000	0000000000	
X	16	5.028-692.0	Tube	1.000	ST	0000000000	0000000000	
X-X	17	5.332-124.0	Helical spring	1.000	ST	0000000000	0000000000	
	18	7.401-908.0	Sphere 7 G300 -1.4301 DIN 5401	1.000	ST	0000000000	0000000000	
X-X	19	6.362-383.0	O-Ring seal 6,0 X 2,0	1.000	ST	0000000000	0000000000	
X-X	20	6.362-533.0	O-Ring seal 14,0 X 1,5-NBR 70	1.000	ST	0000000000	0000000000	
X	21	5.402-523.0	Screw union	1.000	ST	0000000000	0000000000	
X-X	22	6.362-151.0	O-Ring d. 10 x 2 NBR 70	1.000	ST	0000000000	0000000000	
X-X	23	5.443-281.0	Hose stem	1.000	ST	0000000000	0000000000	
X	24	5.321-318.0	Handhold	1.000	ST	0000000000	0000000000	
	25	6.388-216.0	Hose DN 5	1.000	M	0000000000	0000000000	TO ORDER AS CUT GOODS

## 25 Chemistry

ET/VT (spare/wear parts)	Pos	Material #	Name	Qty.	Unit	from ser.nr.	up to ser.nr.	Footnote text
X	26	5.731-652.0	Filter with weight	1.000	ST	0000000000	0000000000	
X-X	27	5.583-146.0	Valve screw	1.000	ST	0000000000	0000000000	
X-X	28	6.362-481.0	O-Ring seal 14,0 x 2,0 NBR 80	1.000	ST	0000000000	0000000000	
X-X	29	6.362-381.0	O-Ring seal 13x2 - NBR 70	1.000	ST	0000000000	0000000000	
X-X	30	4.580-323.0	Valve complete	1.000	ST	0000000000	0000000000	

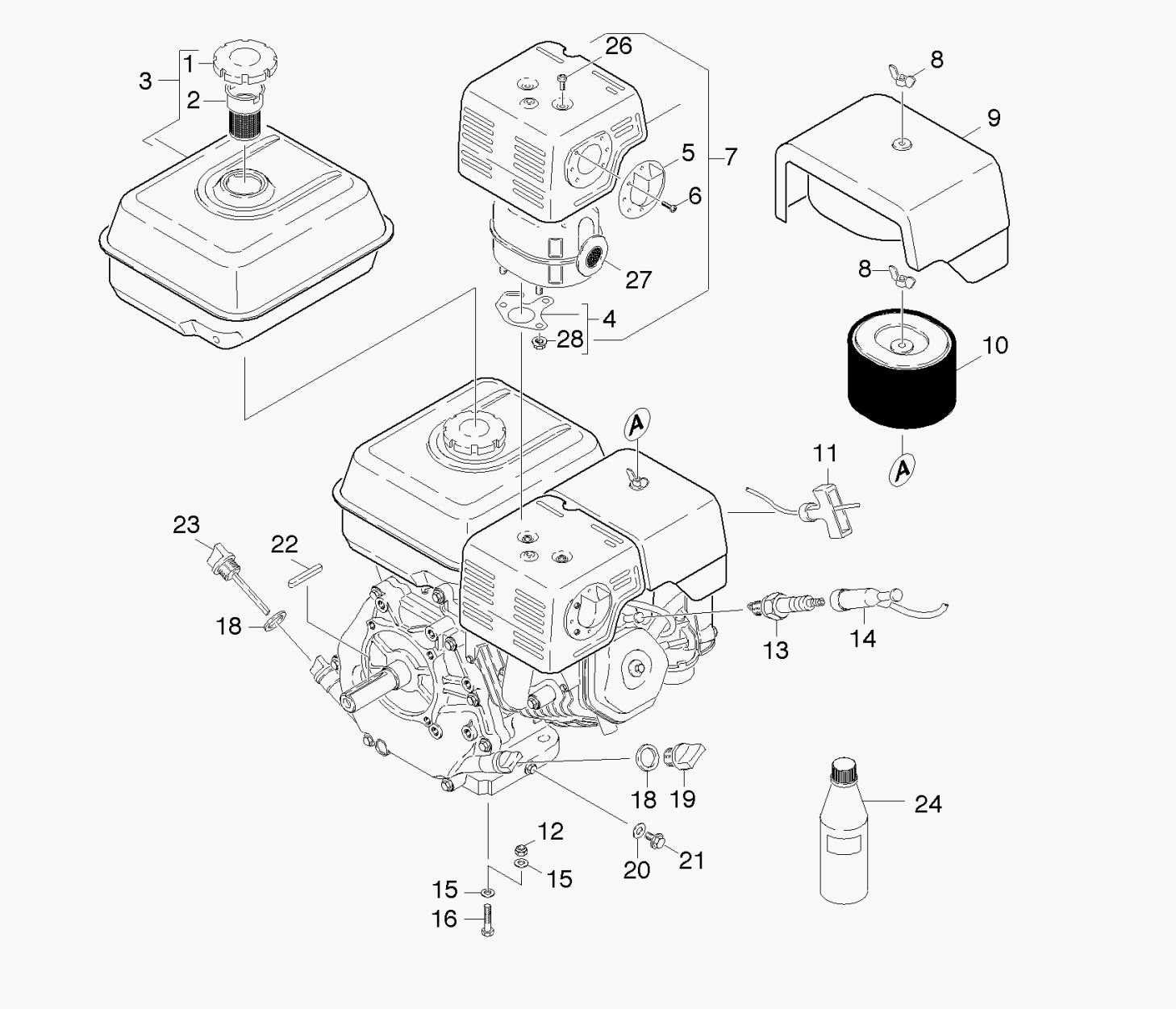
### 30 Motor

---

Pos	Name	Qty.	Unit	from ser.nr.	up to ser.nr.	var. information
31	Motor	1.000	ST	0000000000	0000000000	
32	Transmission	1.000	ST	0000000000	0000000000	VERSION 1
33	Transmission	1.000	ST			VERSION 2

---





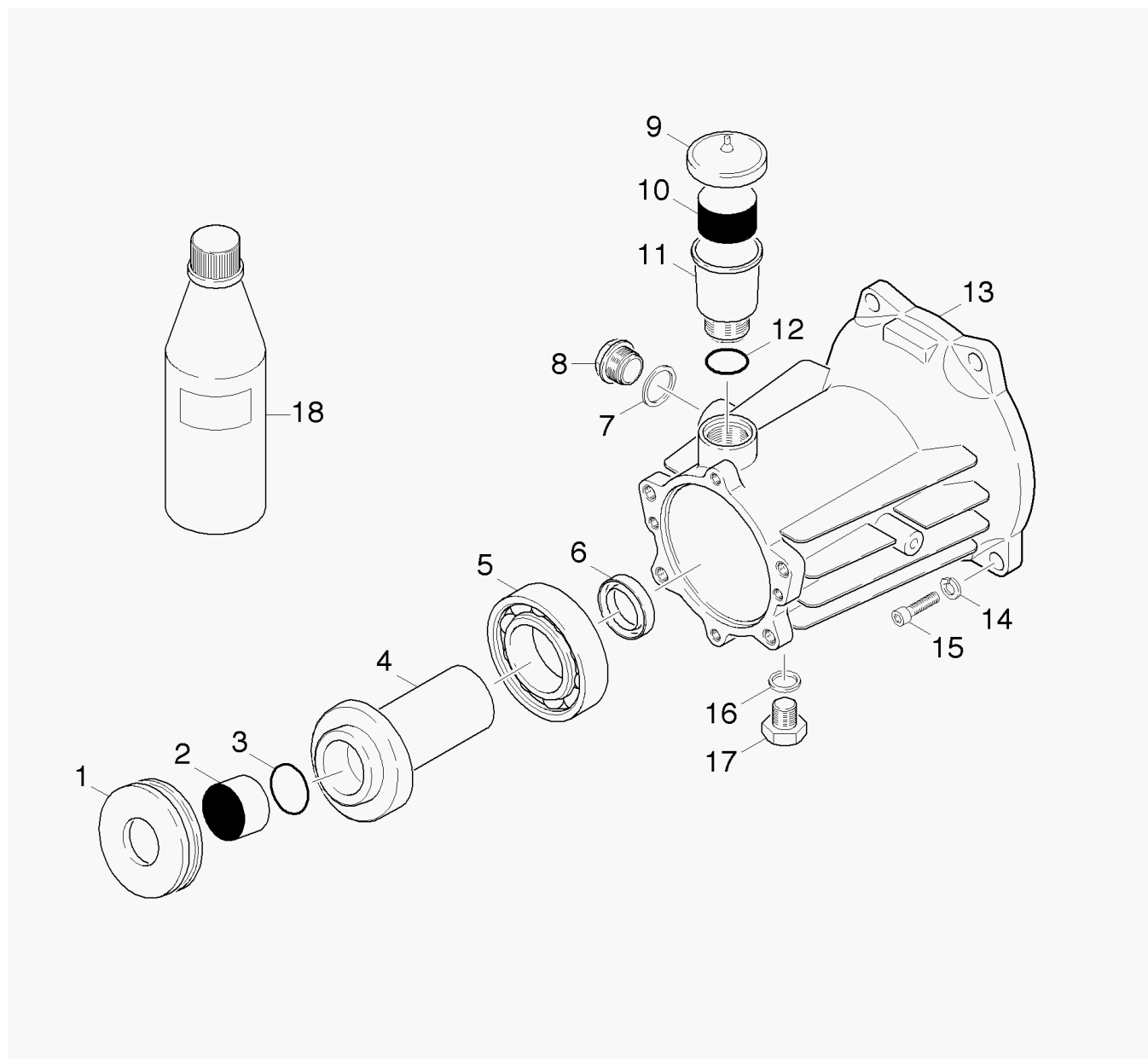
### 31 Motor

ET/VT (spare/wear parts)	Pos	Material #	Name	Qty.	Unit	from ser.nr.	up to ser.nr.
	1	6.491-347.0	Cap of a tank complete	1.000	ST	0000000000	0000000000
	2		Stockpiling discontinued	1.000	ST	0000000000	0000000000
	3	9.194-501.0	Tank	1.000	ST	0000000000	0000000000
	4	6.491-348.0	Seal	1.000	ST	0000000000	0000000000
	5	9.194-509.0	Cover exhaust	1.000	ST	0000000000	0000000000
	6	9.194-518.0	Screw M4X6	1.000	ST	0000000000	0000000000
	7	9.194-507.0	Exhaust complete	1.000	ST	0000000000	0000000000
	8	9.194-522.0	Wing nut	1.000	ST	0000000000	0000000000
	9	9.194-499.0	Cover blower	1.000	ST	0000000000	0000000000
X-X	10	6.491-345.0	Air filter insert	1.000	ST	0000000000	0000000000
	11	6.491-350.0	Starter rope complete	1.000	ST	0000000000	0000000000
	12		Stockpiling discontinued	4.000	ST	0000000000	0000000000
X-X	13	6.618-090.0	Ignition plug	1.000	ST	0000000000	0000000000
	14	9.194-514.0	Spark plug connector	1.000	ST	0000000000	0000000000
	15		Stockpiling discontinued	8.000	ST	0000000000	0000000000
	16		Stockpiling discontinued	4.000	ST	0000000000	0000000000
	18	9.194-496.0	Joint ring	2.000	ST	0000000000	0000000000
	19	9.194-495.0	DRAIN SCREW	1.000	ST	0000000000	0000000000
	20	9.194-526.0	Washer	1.000	ST	0000000000	0000000000
	21	9.194-520.0	Bolt	1.000	ST	0000000000	0000000000
	22	6.491-176.0	Parallel key 6,3X36	1.000	ST	0000000000	0000000000
	23	9.194-492.0	Oil level gauge	1.000	ST	0000000000	0000000000
X-X	24	6.288-050.0	Engine oil 1L	1.000	ST	0000000000	0000000000
	26	9.194-516.0	SCREW,TAPPING 4X6 GX160 MUFFLE	1.000	ST	0000000000	0000000000
	27	9.194-505.0	Exhaust	1.000	ST	0000000000	0000000000

**31 Motor**

---

ET/VT (spare/wear parts)	Pos	Material #	Name	Qty.	Unit	from ser.nr.	up to ser.nr.
	28	9.194-524.0	Nut	1.000	ST	0000000000	0000000000



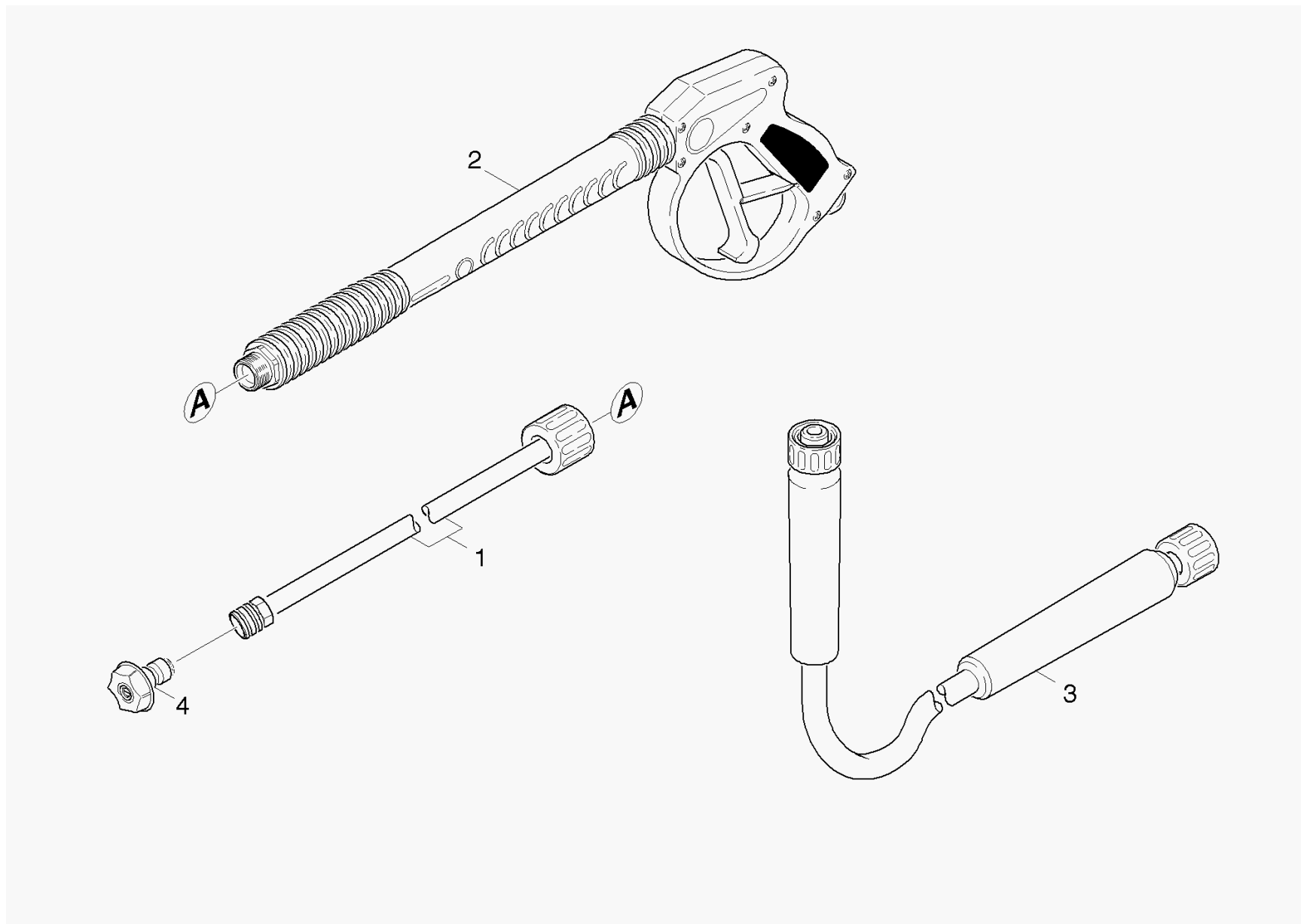
### 32 Transmission

ET/VT (spare/wear parts)	Pos	Material #	Name	Qty.	Unit	from ser.nr.	up to ser.nr.
	1	6.401-334.0	Axial roller bearing	1.000	ST	0000000000	0000000000
	2	5.132-144.0	Plug	1.000	ST	0000000000	0000000000
	3	6.362-810.0	O-Ring seal 28,0 X 2,0 NBR 70	1.000	ST	0000000000	0000000000
	4	4.120-238.0	Wobble plate -nur für Ersatz-	1.000	ST	0000000000	0000000000
X-X	5	6.401-225.0	Taper roller bearing 41	1.000	ST	0000000000	0000000000
X-X	6	7.367-011.0	Radial shaft seal ring A40x52x7-NBR DIN	1.000	ST	0000000000	0000000000
X-X	7	6.362-585.0	Seal	1.000	ST	0000000000	0000000000
X-X	8	5.411-062.0	Screw plug	1.000	ST	0000000000	0000000000
X-X	9	5.063-651.0	Cover	1.000	ST	0000000000	0000000000
X-X	10	5.132-107.0	Plug	1.000	ST	0000000000	0000000000
X	11	5.070-194.0	Tank	1.000	ST	0000000000	0000000000
X-X	12	6.362-168.0	O-Ring seal 22,3 X 2,4-NBR 70	1.000	ST	0000000000	0000000000
	13	5.060-827.0	Housing	1.000	ST	0000000000	0000000000
	14	6.312-066.0	Washer	4.000	ST	0000000000	0000000000
	15		Stockpiling discontinued	4.000	ST	0000000000	0000000000
X-X	16	7.362-005.0	Joint ring A14x18 -Cu DIN 7603	1.000	ST	0000000000	0000000000
	17	7.382-233.0	Screw plug M14x1,5-A-CuZn DIN 7604	1.000	ST	0000000000	0000000000
X-X	18	6.288-050.0	Engine oil 1L	1.000	ST	0000000000	0000000000

## 40 Accessories

---

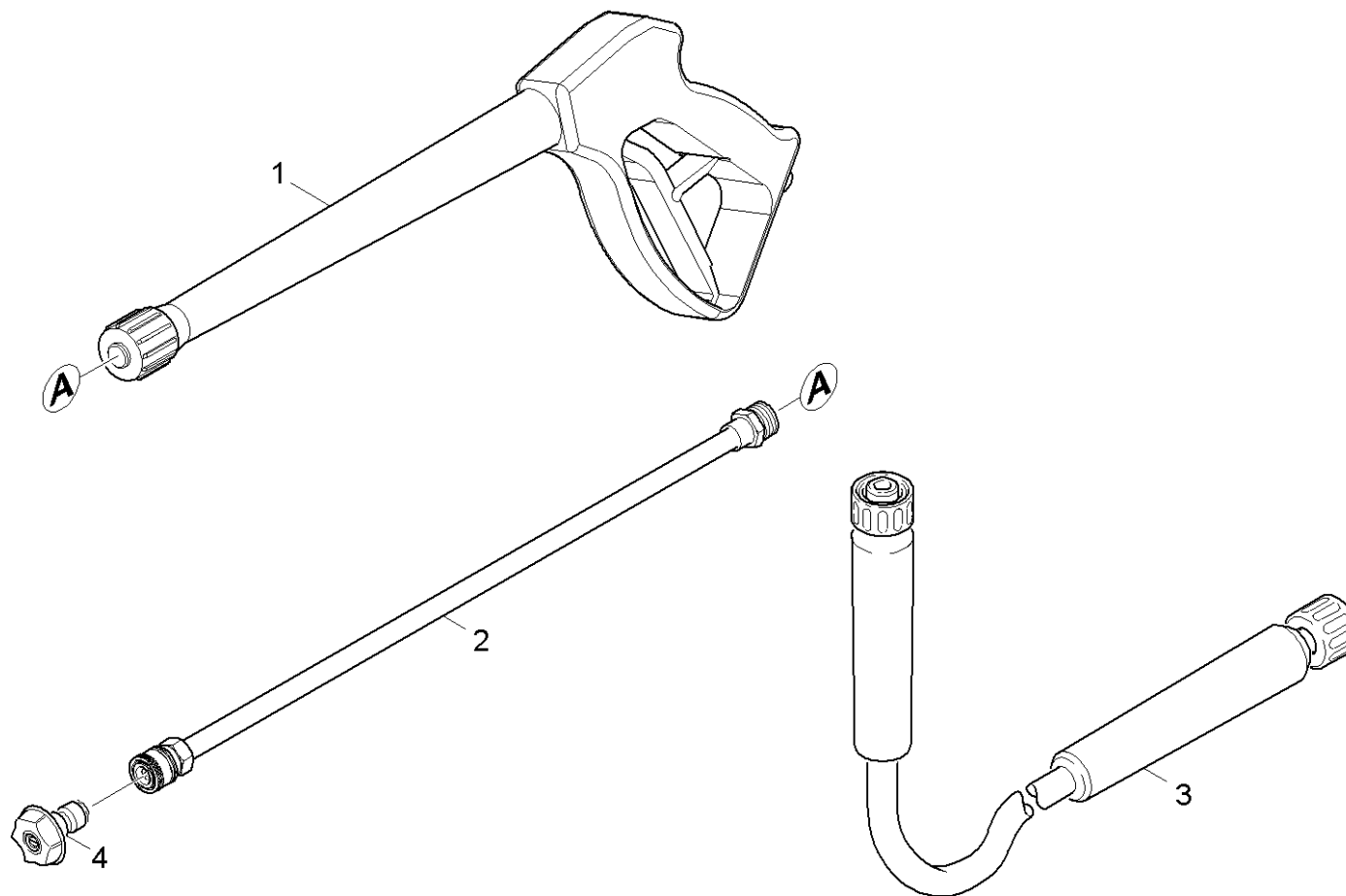
Pos	Name	Qty.	Unit	var. information
41	Accessories	1.000	ST	VERSION 1
42	Accessories	1.000	ST	VERSION 2



#### 41 Accessories

Pos	Material #	Name	Qty.	Unit	from ser.nr.	up to ser.nr.
1	9.112-508.0	LANCE -Q/C FEMALE	1.000	ST	0000000000	0000000000
2	9.112-009.0	TRIGGER GUN SK2 M22x1.5 MALE/MALE	1.000	ST	0000000000	0000000000
3	9.162-323.0	HP HOSE DN8/50'/4000/NOLOGO/BLK/RBR	1.000	ST	0000000000	0000000000
4	9.104-030.0	Q/C NOZZLE KIT (040)	1.000	ST		
4	9.104-021.0	MC Q/C NOZZLE KIT (045)	1.000	ST	0000000000	0000000000





**42 Accessories**

---

<b>Pos</b>	<b>Material #</b>	<b>Name</b>	<b>Qty.</b>	<b>Unit</b>
1	8.754-381.0	MV925 GUN 4500 PSI	1.000	ST
2	9.802-220.0	WAND, 18" M22 x 1/4" QC	1.000	ST
3	9.162-323.0	HP HOSE DN8/50'/4000/NOLOGO/BLK/RBR	1.000	ST
4		MC Q/C NOZZLE KIT (0325)	1.000	ST