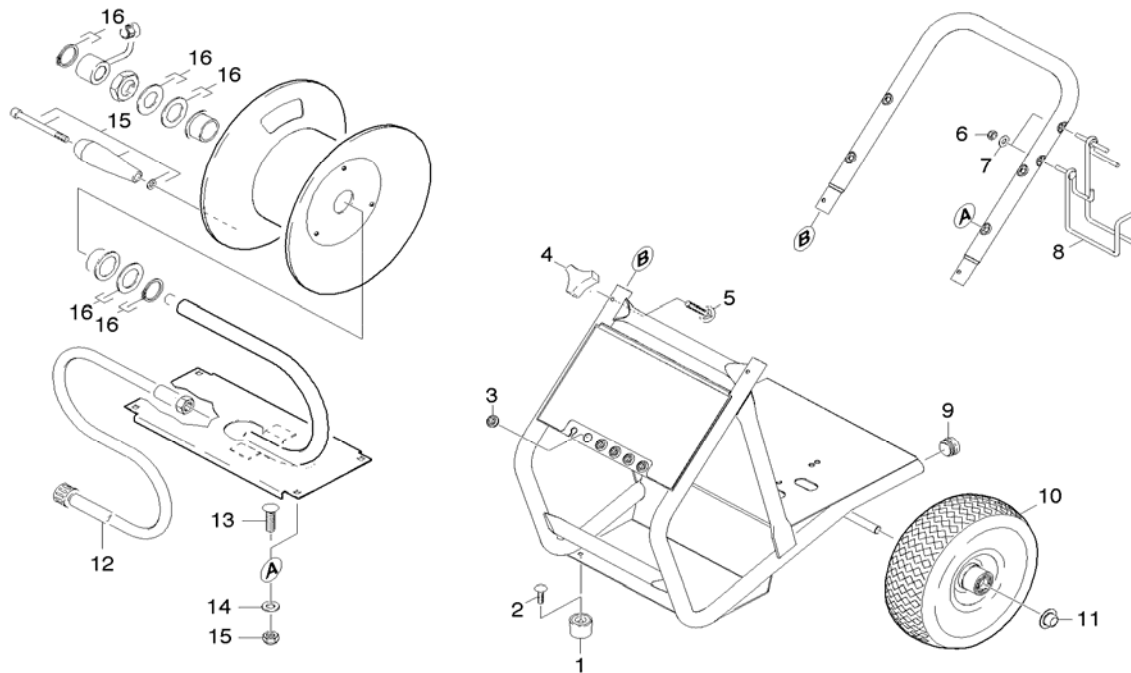


PARTS BREAKDOWN FOR HD4.0/36P version 1 (1.575-108.0)

| Location | PN | DESCRIPTION | QTY | SERIAL # | |
|--------------------|-----------|------------------------------------------|-----|----------|----|
| | | | | FROM | TO |
| FRAME - 1.0 | | | | | |
| 1 | 9183-4010 | Rubber Dampener 5/16"-18x5/8" 1998 | 2 | | |
| 2 | 9196-3080 | 5/16-18x1/2 Carriage Bolt A307 Black | 2 | | |
| 3 | 9177-2040 | Sleeve rubber | 5 | | |
| 4 | 9182-3530 | Knob 1/4"-20.3PT. Star | 2 | | |
| 5 | 7303-2000 | Saucer-head screw M 6x40-St-A0P DIN 603 | 2 | | |
| 6 | 5310-1050 | 5/16"-18 Finished Hex Nut Zinc | 2 | | |
| 7 | 9198-0030 | 5/16 Internal L/W .332 ID X .620 OD Zinc | 2 | | |
| 8 | 9142-0100 | Hanger Weld Assembly 45deg Left (Solo) | 1 | | |
| 9 | 9183-0010 | Black Plastic Plug | 2 | | |
| 10 | 9189-0070 | Wheel 10"x3.50" PNEU | 2 | | |
| 11 | 9182-0040 | Cap Fastener 5/8" STL Galv | 2 | | |
| 12 | 9162-1540 | HP Hose 3' 250 BAR | 1 | | |
| 15 | 9172-3020 | Spare Parts - Handle Set | 1 | | |
| 16 | 9172-3030 | Spare Parts - Sealing Kit | 1 | | |



R J Bowers Distributors

2003 Harrison Ave
Rockford IL 61104

E-mail: service@rjbowers.com

Web: www.rjbowers.com

(815) 399-8839 (800) 383-6584

PARTS BREAKDOWN FOR HD4.0/36P version 1 (1.575-108.0)

| Location | PN | DESCRIPTION | QTY | SERIAL # | |
|-------------------------------------------------|-----------|-----------------------------------------|-----|----------|----|
| | | | | FROM | TO |
| PUMP SET - Cylinder Head (version 1) 2.1 | | | | | |
| 1 | 6362-1130 | O-Ring seal 6.0x2.0 | 1 | | |
| 2 | 5411-0700 | Screw plug | 1 | | |
| 3 | 7382-2740 | Screw plug R1/8"-CuZn DIN 909 | 1 | | |
| 4 | 5583-1460 | Valve screw | 4 | | |
| 5 | 6362-4810 | O-Ring seal 14.0x2.0-NBR 80 | 6 | | |
| 6 | 6363-0030 | O-Ring seal 13.0x2.0-NBR 90 | 6 | | |
| 7 | 9154-0090 | Swivel Adaptor G-3/4 W/2-Washers | 1 | | |
| 8 | 5550-2730 | Cylinder Head | 1 | | |
| 9 | 5115-4920 | Washer | 3 | | |
| 10 | 6362-3980 | O-Ring seal 27.5x1.5-NBR 70 | 3 | | |
| 11 | 5115-4930 | Washer | 3 | | |
| 12 | 6365-3510 | Compact seal 16x24x4 | 3 | | |
| 13 | 5112-4020 | Bush | 3 | | |
| 14 | 6365-4080 | Lip Seal 16x24x5.3 | 3 | | |
| 15 | 6362-1010 | O-Ring seal 8x2 | 1 | | |
| 16 | 5402-6370 | Screw union | 1 | | |
| 17 | 5332-2330 | Helical spring | 1 | | |
| 18 | 6362-8530 | O-Ring seal 4.47x1.78 | 1 | | |
| 19 | 5411-1500 | Closing Screw | 1 | | |
| 20 | 6413-0670 | Valve | 1 | | |
| 21 | 5115-8760 | Washer | 1 | | |
| 22 | 7401-0090 | Sphere 4.762 KL3-1.4301 DIN 5401 | 1 | | |
| 23 | 6362-7030 | O-Ring seal 6.0x1.5-NBR 70 | 1 | | |
| 24 | 7401-9080 | Sphere 7 G300 -1.4301 DIN 5401 | 2 | | |
| 25 | 5332-2030 | Helical spring | 1 | | |
| 26 | 5583-0890 | Valve screw | 1 | | |
| 27 | 6362-1690 | O-Ring seal 12.0x2.0 | 1 | | |
| 28 | 5582-0750 | Valve disc | 1 | | |
| 29 | 5581-2180 | Valve Seat | 1 | | |
| 30 | 7306-1250 | Cylinder head screw M10x70-8.8-A3E ISO4 | 4 | | |
| 31 | 2884-5120 | Valve (3 Pack) | 1 | | |
| 32 | 6362-5470 | O-Ring seal 20.0x1.5-NBR 70 | 1 | | |
| 33 | 5060-8090 | Valve housing | 1 | | |
| 34 | 7306-0440 | Cylinder head screw M8x35 -8.8-A2E ISO4 | 5 | | |
| 35 | 6362-4270 | O-Ring seal 15.0x2.0 | 1 | | |
| 36 | 7382-2350 | Screw plug M18x1.5-A-CuZn DIN 7604 | 1 | | |
| 37 | 6362-3840 | O-Ring seal 9.0x1.5 | 3 | | |
| 38 | 6414-2820 | Strainer | 1 | | |
| 39 | 4580-3550 | Thermovealve | 1 | | |
| 40 | 6362-6580 | O-Ring seal 7x1.5-NBR 90 | 1 | | |
| 100 | 2884-2170 | Rebuild Kit (Spare Parts Set) | 1 | | |

R J Bowers Distributors

2003 Harrison Ave

Rockford IL 61104

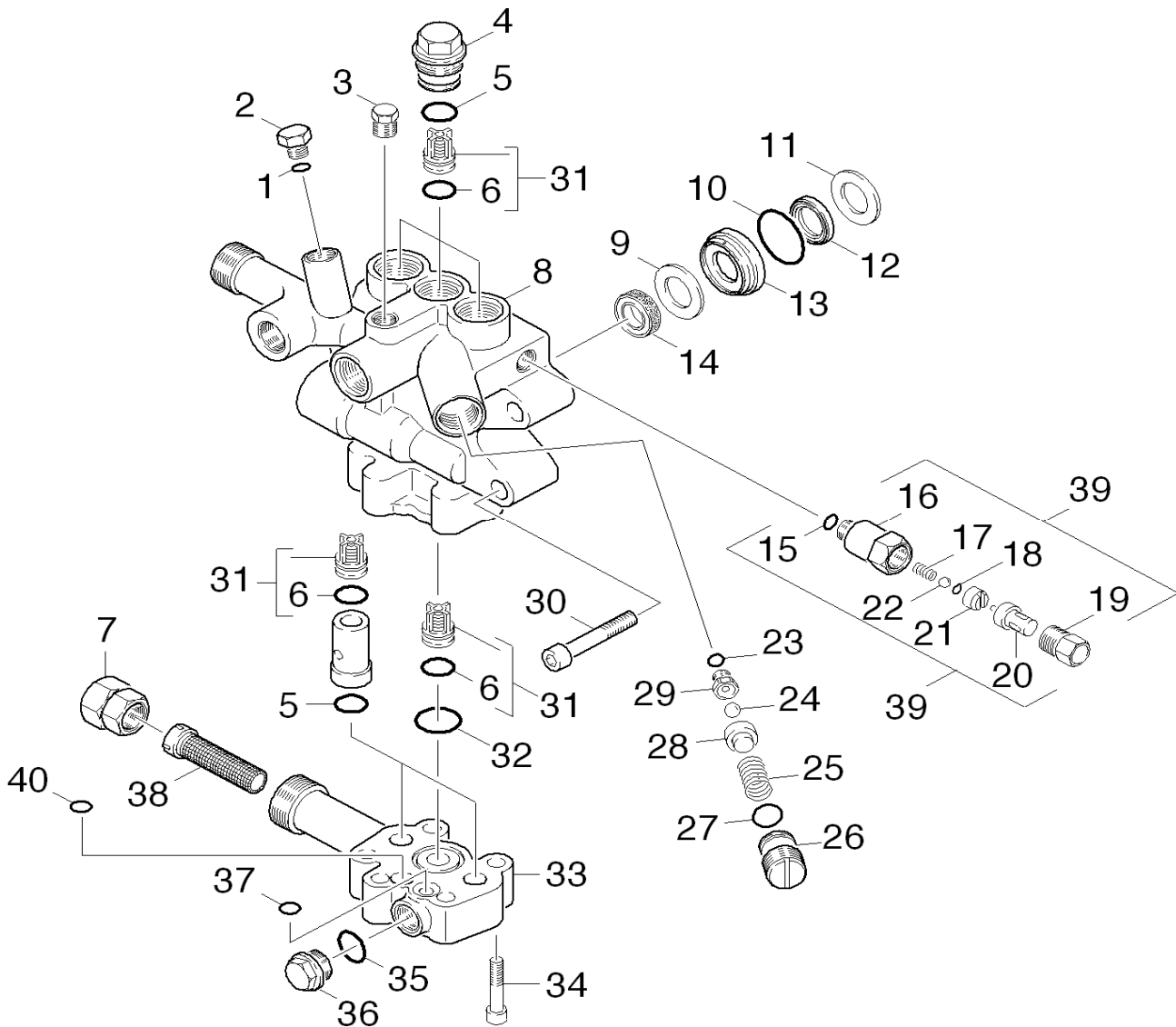
E-mail: service@rjbowers.com

Web: www.rjbowers.com

(815) 399-8839 (800) 383-6584

PARTS BREAKDOWN FOR HD4.0/36P version 1 (1.575-108.0)

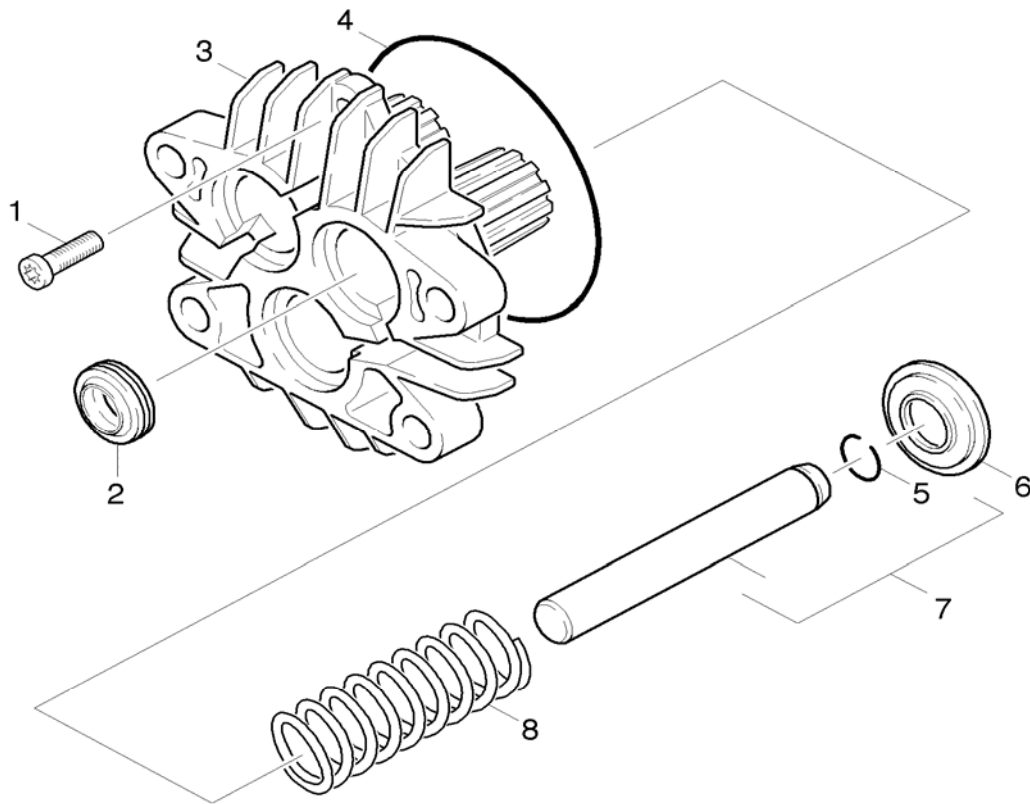
| Location | PN | DESCRIPTION | QTY | SERIAL # | |
|-----------------------------------------------------------|----|-------------|-----|----------|----|
| | | | | FROM | TO |
| PUMP SET - Cylinder Head (version 1) 2.1 continued | | | | | |



R J Bowers Distributors
 2003 Harrison Ave
 Rockford IL 61104
 E-mail: service@rjbowers.com
 Web: www.rjbowers.com
 (815) 399-8839 (800) 383-6584

PARTS BREAKDOWN FOR HD4.0/36P version 1 (1.575-108.0)

| Location | PN | DESCRIPTION | QTY | SERIAL # | |
|------------------------------------------|-----------|-----------------------------|-----|----------|----|
| | | | | FROM | TO |
| PUMP SET - Piston (version 1) 2.3 | | | | | |
| 1 | 7306-0940 | Screw M6x25 -8.8-R3R | 2 | | |
| 2 | 6365-3220 | Grooved ring 16x24x7 | 3 | | |
| 3 | 5060-6760 | Housing | 1 | | |
| 4 | 6362-9630 | Gasket | 1 | | |
| 5 | 7343-4780 | Snap ring A16 -FST DIN 7993 | 3 | | |
| 6 | 5115-6890 | Washer | 3 | | |
| 7 | 4553-1720 | Piston complete | 3 | | |
| 8 | 5332-4030 | Helical Spring | 3 | | |



R J Bowers Distributors
 2003 Harrison Ave
 Rockford IL 61104
 E-mail: service@rjbowers.com
 Web: www.rjbowers.com
 (815) 399-8839 (800) 383-6584

PARTS BREAKDOWN FOR HD4.0/36P version 1 (1.575-108.0)

| Location | PN | DESCRIPTION | QTY | SERIAL # | |
|---------------------------------------------|-----------|--------------------------------|-----|----------|----|
| | | | | FROM | TO |
| PUMP SET - Chemistry (version 1) 2.5 | | | | | |
| 1 | 6362-9890 | O-Ring | 1 | | |
| 2 | 5583-1470 | Valve Screw | 1 | | |
| 3 | 6362-4680 | O-Ring seal complete 1ST.-R. | 1 | | |
| 4 | 7314-6290 | Grooved pin 2x10 -A1 ISO 8742 | 1 | | |
| 5 | 5291-0730 | Spindle | 1 | | |
| 6 | 5321-3070 | Handhold | 1 | | |
| 7 | 5110-6300 | Sleeve | 1 | | |
| 8 | 5553-3630 | Piston excess-current | 1 | | |
| 9 | 6362-9770 | Gasket | 1 | | |
| 10 | 5332-4250 | Spring | 1 | | |
| 11 | 5581-2140 | Valve Seat | 1 | | |
| 12 | 6362-4500 | O-Ring seal complete 2ST.-R. | 1 | | |
| 13 | 5305-2630 | Shaped screw | 1 | | |
| 14 | 5769-1410 | Nozzle insert | 1 | | |
| 15 | 6362-3840 | O-Ring seal 9.0x1.5 | 2 | | |
| 16 | 5028-6920 | Tube | 1 | | |
| 17 | 5332-1240 | Helical spring | 1 | | |
| 18 | 7401-9080 | Sphere 7 G300 -1.4301 DIN 5401 | 1 | | |
| 19 | 6362-3830 | O-Ring seal 6.0x2.0 | 1 | | |
| 20 | 6362-5330 | O-Ring seal 14.0x1.5-NBR 70 | 1 | | |
| 21 | 5402-5230 | Screw Union | 1 | | |
| 22 | 6362-1510 | O-Ring 10x2 NBR 70 | 1 | | |
| 23 | 5443-2810 | Nipple | 1 | | |
| 24 | 5321-3180 | Handhold | 1 | | |
| 25 | 6388-2160 | Hose DN 5 | 1 | | |
| 26 | 5731-6090 | Filter with weight | 1 | | |
| 27 | 5583-1460 | Valve screw | 1 | | |
| 28 | 6362-4810 | O-Ring seal 14.0x2.0-NBR 80 | 1 | | |
| 29 | 6362-3810 | O-Ring seal 13.0x2.0 | 1 | | |
| 30 | 4580-3230 | Valve complete | 1 | | |

R J Bowers Distributors

2003 Harrison Ave
Rockford IL 61104

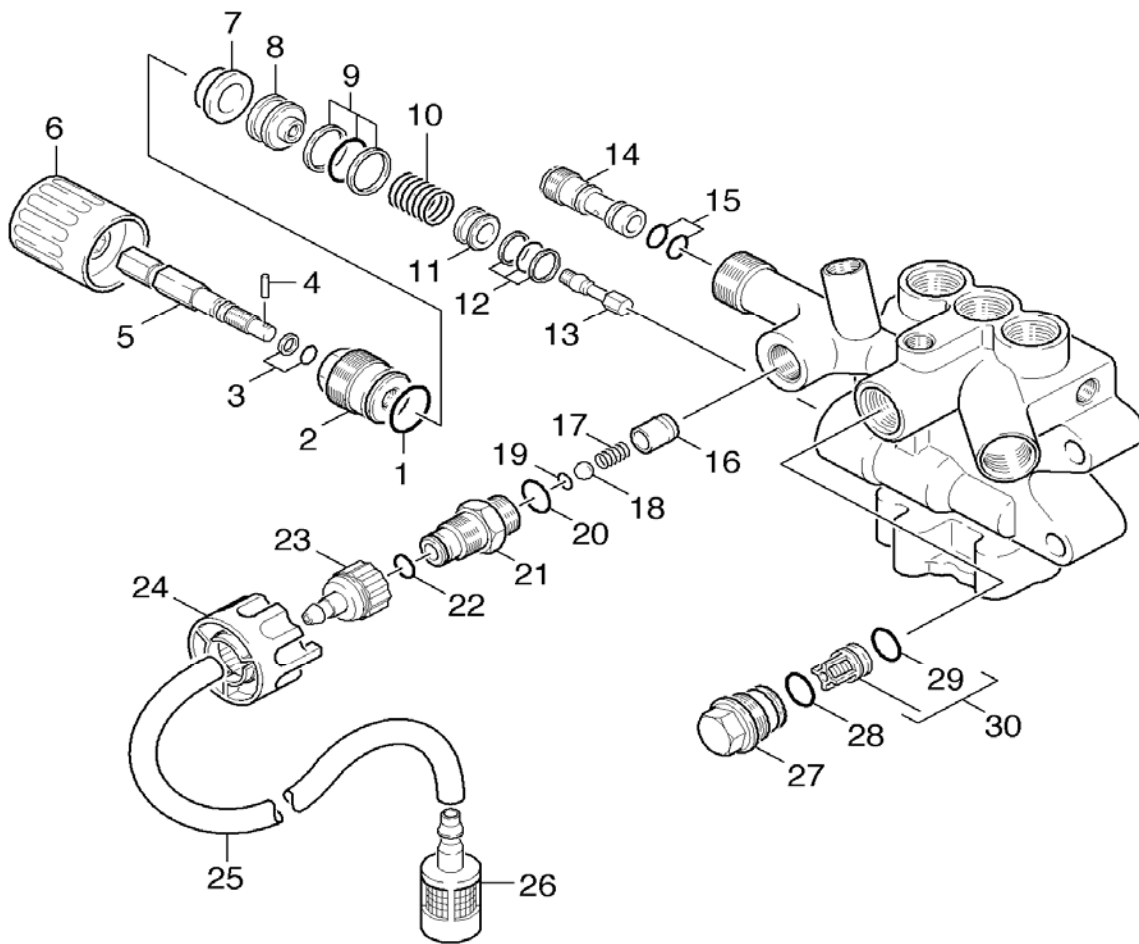
E-mail: service@rjbowers.com

Web: www.rjbowers.com

(815) 399-8839 (800) 383-6584

PARTS BREAKDOWN FOR HD4.0/36P version 1 (1.575-108.0)

| Location | PN | DESCRIPTION | QTY | SERIAL # | |
|-------------------------------------------------------|----|-------------|-----|----------|----|
| | | | | FROM | TO |
| PUMP SET - Chemistry (version 1) 2.5 continued | | | | | |



R J Bowers Distributors
 2003 Harrison Ave
 Rockford IL 61104
 E-mail: service@rjbowers.com
 Web: www.rjbowers.com
 (815) 399-8839 (800) 383-6584

PARTS BREAKDOWN FOR HD4.0/36P version 1 (1.575-108.0)

| Location | PN | DESCRIPTION | QTY | SERIAL # | |
|--------------------------|-----------|-----------------------------------|-----|----------|----|
| | | | | FROM | TO |
| MOTOR - Motor 3.1 | | | | | |
| 1 | 6491-3470 | Cap of Tank | 1 | | |
| 2 | 9194-5030 | Filter | 1 | | |
| 3 | 9194-5010 | Tank | 1 | | |
| 4 | 6491-3480 | Seal | 1 | | |
| 5 | 9194-5090 | Cover exhaust | 1 | | |
| 6 | 9194-5180 | Screw M4x6 | 1 | | |
| 7 | 9194-5070 | Cover exhaust | 1 | | |
| 8 | 9194-5220 | Wing nut | 1 | | |
| 9 | 9194-4990 | Blower Cover | 1 | | |
| 10 | 6491-3450 | Air Filter | 1 | | |
| 11 | 6491-3500 | Starter rope complete | 1 | | |
| 12 | | Stockpiling discontinued | 4 | | |
| 13 | 6618-0900 | Spark Plug | 1 | | |
| 14 | 9194-5140 | Spark Plug Connector | 1 | | |
| 15 | | Washer (Stockpiling discontinued) | 8 | | |
| 16 | | Bolt (Stockpiling discontinued) | 4 | | |
| 18 | 9194-4960 | Oeldichtring | 2 | | |
| 19 | 9194-4950 | Drain Screw | 1 | | |
| 20 | 9194-5260 | Washer | 1 | | |
| 21 | 9194-5200 | Bolt | 1 | | |
| 22 | 6491-1760 | Spring | 1 | | |
| 23 | 9194-4920 | Oil Dip Rod | 1 | | |
| 24 | 6288-0500 | Engine oil 1L 15W-40 | 1 | | |
| 26 | 9194-5160 | Screw M4x6 | 1 | | |
| 27 | 9194-5050 | Exhaust complete | 1 | | |
| 28 | 9194-5240 | Nut | 1 | | |

R J Bowers Distributors

2003 Harrison Ave
Rockford IL 61104

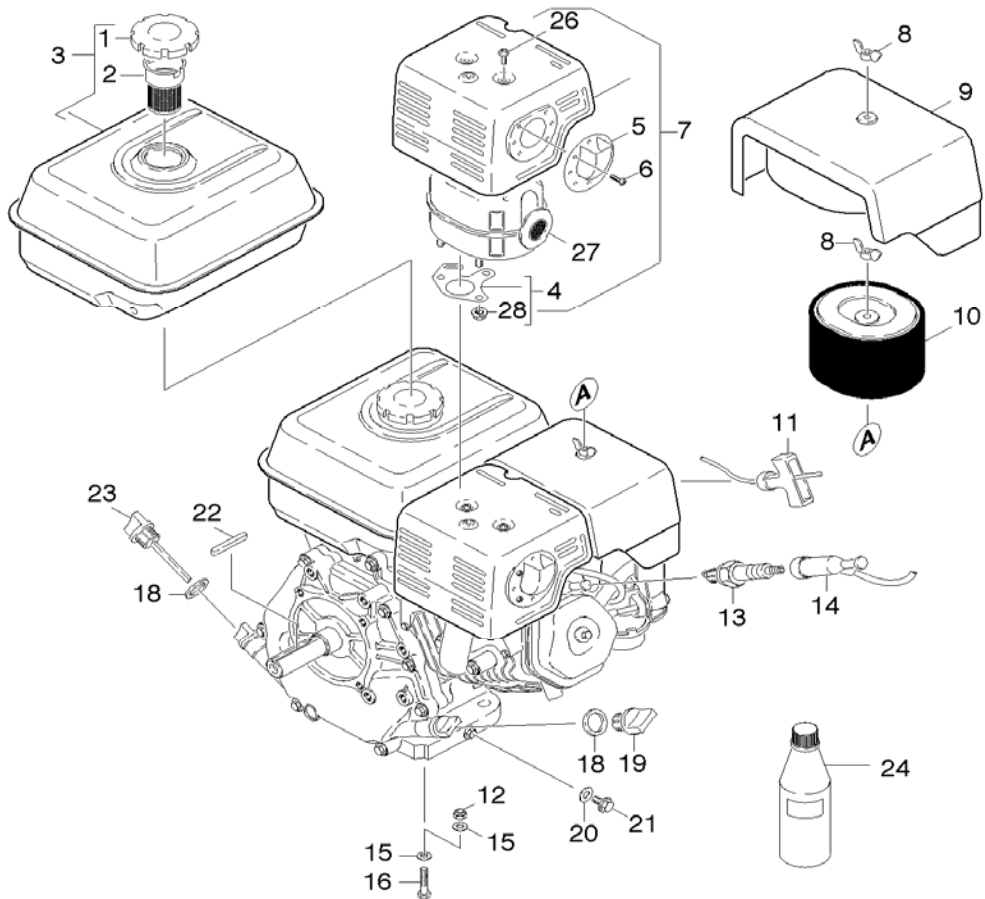
E-mail: service@rjbowers.com

Web: www.rjbowers.com

(815) 399-8839 (800) 383-6584

PARTS BREAKDOWN FOR HD4.0/36P version 1 (1.575-108.0)

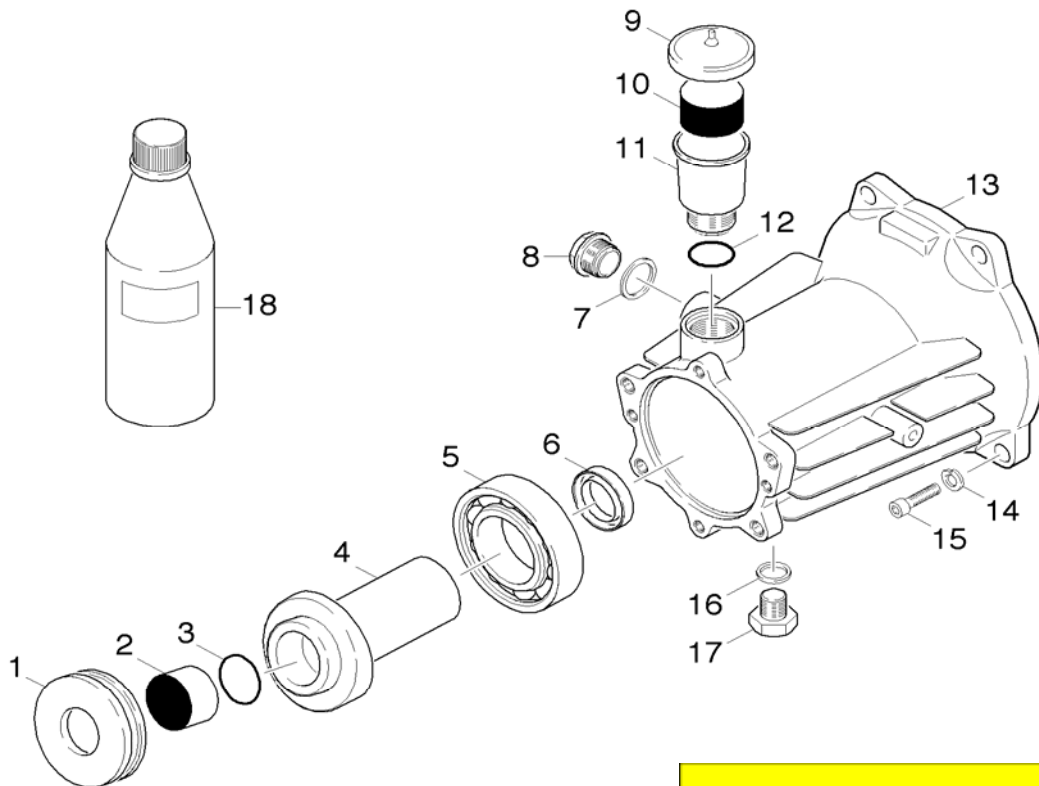
| Location | PN | DESCRIPTION | QTY | SERIAL # | |
|------------------------------------|----|-------------|-----|----------|----|
| | | | | FROM | TO |
| MOTOR - Motor 3.1 continued | | | | | |



R J Bowers Distributors
 2003 Harrison Ave
 Rockford IL 61104
 E-mail: service@rjbowers.com
 Web: www.rjbowers.com
 (815) 399-8839 (800) 383-6584

PARTS BREAKDOWN FOR HD4.0/36P version 1 (1.575-108.0)

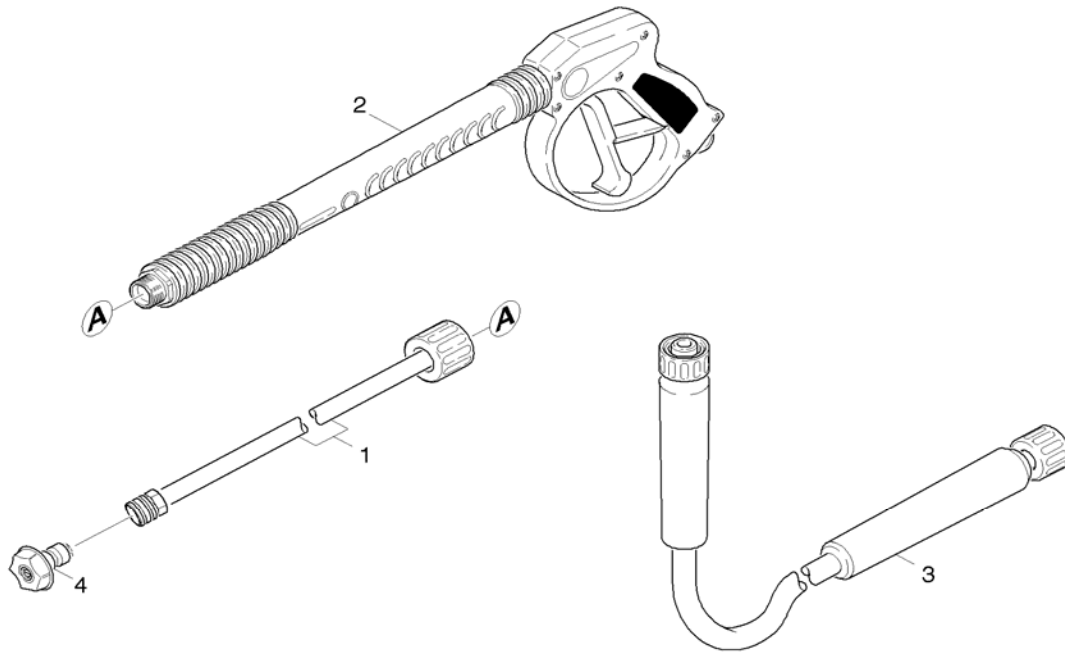
| Location | PN | DESCRIPTION | QTY | SERIAL # | |
|---------------------------------|-----------|----------------------------------------|----------|----------|----|
| | | | | FROM | TO |
| MOTOR - Transmission 3.2 | | | | | |
| 1 | 6401-3340 | Axial roller bearing | 1 | | |
| 2 | 5132-1440 | Plug | 1 | | |
| 3 | 6362-8100 | O-Ring seal 28.0x2.0 NBR 70 | 1 | | |
| 4 | 5120-3240 | Swash Plate | 1 | | |
| 5 | 6401-2250 | Taper roller bearing 41 | 1 | | |
| 6 | 7367-0110 | Radial shaft seal ring A40x52x7-NBR | 1 | | |
| 7 | 6362-5850 | Seal | 1 | | |
| 8 | 5411-0620 | Screw plug | 1 | | |
| 9 | 5063-6510 | Cover | 1 | | |
| 10 | 5132-1070 | Plug | 1 | | |
| 11 | 5070-1940 | Tank | 1 | | |
| 12 | 6362-1680 | O-Ring seal 22.3x2.4-NBR 70 | 1 | | |
| 13 | 5060-8270 | Housing | 1 | | |
| 14 | 6312-0660 | Washer | 4 | | |
| 15 | | Bolt (Stockpiling discontinued) | 4 | | |
| 16 | 7362-0050 | Joint ring A14x18 -Cu DIN 7603 | 1 | | |
| 17 | 7382-2330 | Screw plug M14x1.5-A-CuZn DIN 7604 | 1 | | |
| 18 | 6288-0500 | Engine oil 1L 15W-40 | 1 | | |



R J Bowers Distributors
 2003 Harrison Ave
 Rockford IL 61104
 E-mail: service@rjbowers.com
 Web: www.rjbowers.com
 (815) 399-8839 (800) 383-6584

PARTS BREAKDOWN FOR HD4.0/36P version 1 (1.575-108.0)

| Location | PN | DESCRIPTION | QTY | SERIAL # | |
|--------------------------|-----------|-----------------------------------|-----|----------|----|
| | | | | FROM | TO |
| ACCESSORIES - 4.0 | | | | | |
| 1 | 9112-5080 | Spray Wand / Lance | 1 | | |
| 2 | 9112-0090 | Trigger Gun SK2 M22x1.5 Male/Male | 1 | | |
| 3 | 9162-3230 | HP Hose DN8 / 50' / 4000 | 1 | | |
| 4 | 9104-0210 | MC Q/C Nozzle Kit (045) | 1 | | |
| 4 | 9104-0300 | Q/C Nozzle Kit (040) | 1 | | |



R J Bowers Distributors
 2003 Harrison Ave
 Rockford IL 61104
 E-mail: service@rjbowers.com
 Web: www.rjbowers.com
 (815) 399-8839 (800) 383-6584