

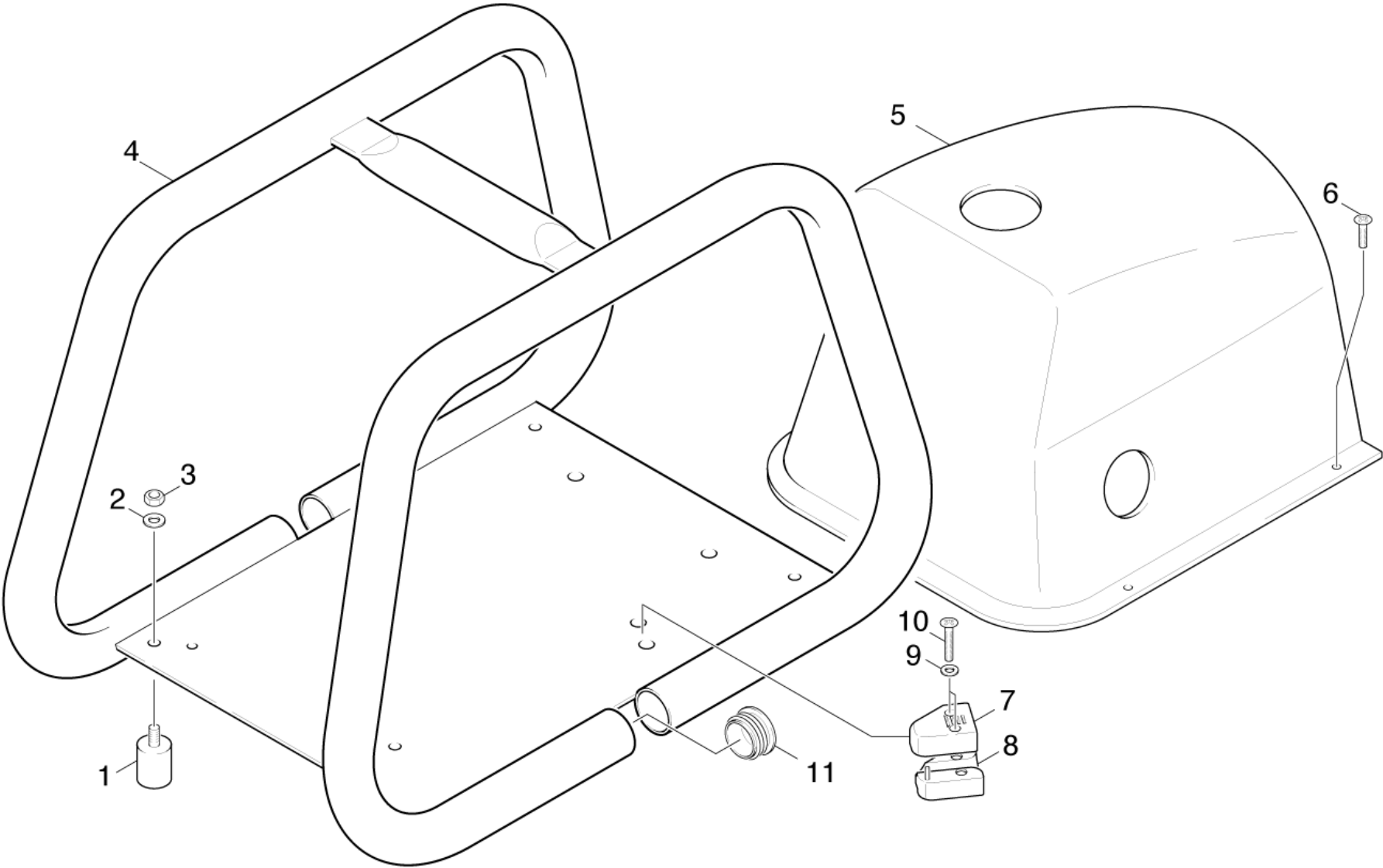
Spare parts list
(5.970-176.0) Spare parts list HD 425

Table of contents

Spare parts list HD 425 (5.970-176.0)	6
10 Individual parts.....	7
20 Pump set.....	9
21 Cylinder head.....	10
3 Spare part set chemistry (2.883-862.0).....	12
22 Piston guidance.....	13
30 Motor.....	15
40 Accessories.....	17
41 High pressure pistol.....	18
42 Triple jet nozzle.....	20
43 Triple jet nozzle.....	22
50 Electric box.....	24

Spare parts list HD 425 (5.970-176.0)

Pos	Name	Qty.	Unit	from ser.nr.	up to ser.nr.
10	Individual parts	1.000	ST	0000000000	0000000000
20	Pump set	1.000	ST	0000000000	0000000000
30	Motor	1.000	ST	0000000000	0000000000
40	Accessories	1.000	ST	0000000000	0000000000
50	Electric box	1.000	ST	0000000000	0000000000

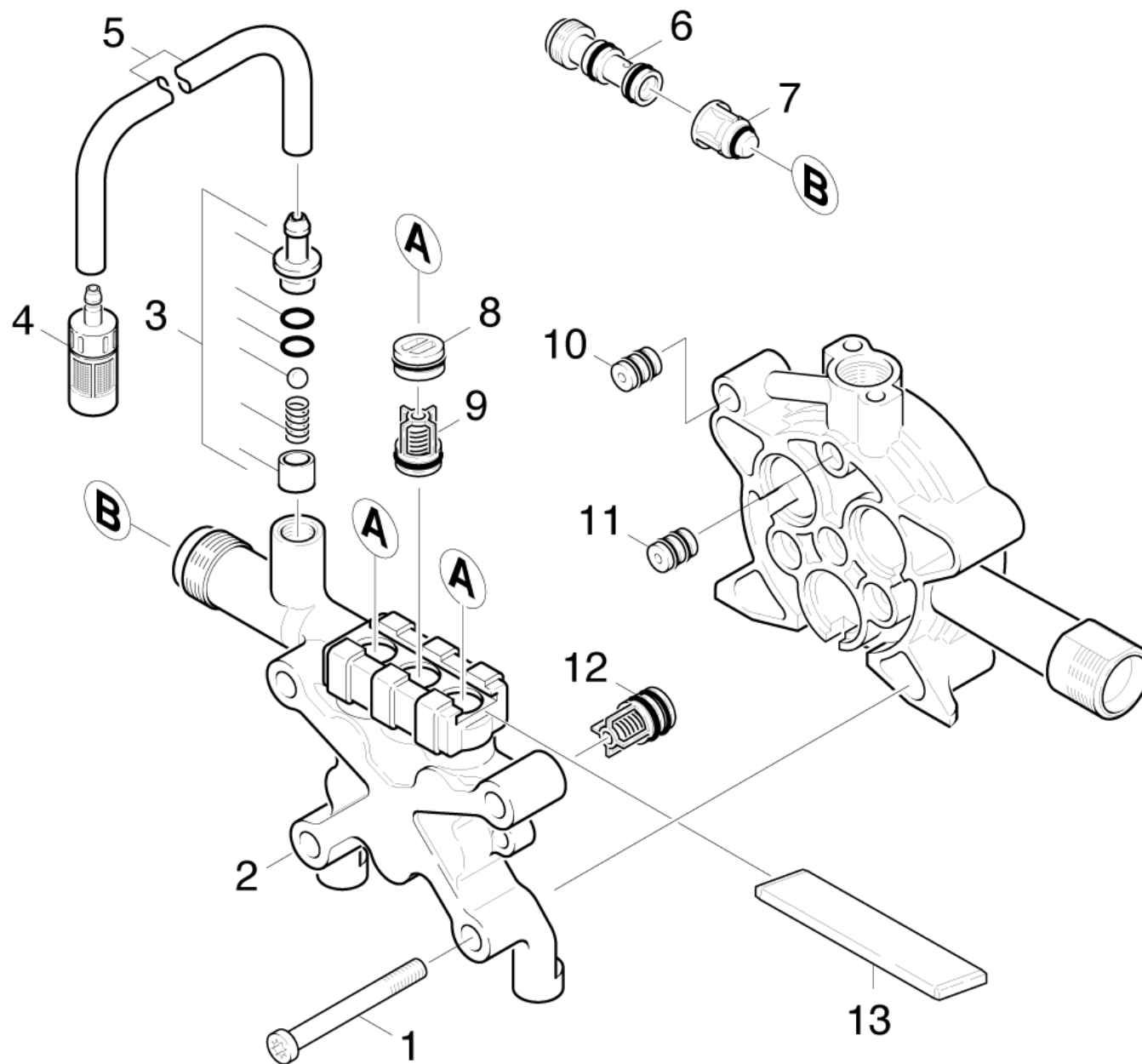


10 Individual parts

ET/VT (spare/wear parts)	Pos	Material #	Name	Qty.	Unit	from ser.nr.	up to ser.nr.
X-X	1	6.339-108.0	Rubber buffer	4.000	ST	0000000000	0000000000
X-X	2	7.312-003.0	Washer 6 -200HV-A3E ISO 7090	4.000	ST	0000000000	0000000000
	3	7.311-512.0	Hexagon nut M 6-8-A2E ISO 7040	4.000	ST	0000000000	0000000000
	4	4.052-352.0	Frame HD4.25 *USA	1.000	ST	0000000000	0000000000
	5	9.136-354.0	SHROUD	1.000	ST	0000000000	0000000000
	6	7.303-031.0	Screw M4x10 -St-P2R (In6Rd)	4.000	ST	0000000000	0000000000
	7	5.672-031.0	Strain relief -BONEZZI 12.022.596	1.000	ST	0000000000	0000000000
	8	5.672-032.0	Strain relief -BONEZZI 12.022.597	1.000	ST	0000000000	0000000000
	9	7.312-067.0	Washer 4-A2 ISO 7089	2.000	ST	0000000000	0000000000
	10	7.304-043.0	Hexagonal head screw M 4x35-A4-70 ISO 4	2.000	ST	0000000000	0000000000
	11	6.368-330.0	Drain plug	4.000	ST	0000000000	0000000000

20 Pump set

Pos	Name	Qty.	Unit	from ser.nr.	up to ser.nr.
21	Cylinder head	1.000	ST	0000000000	0000000000
22	Piston guidance	1.000	ST	0000000000	0000000000

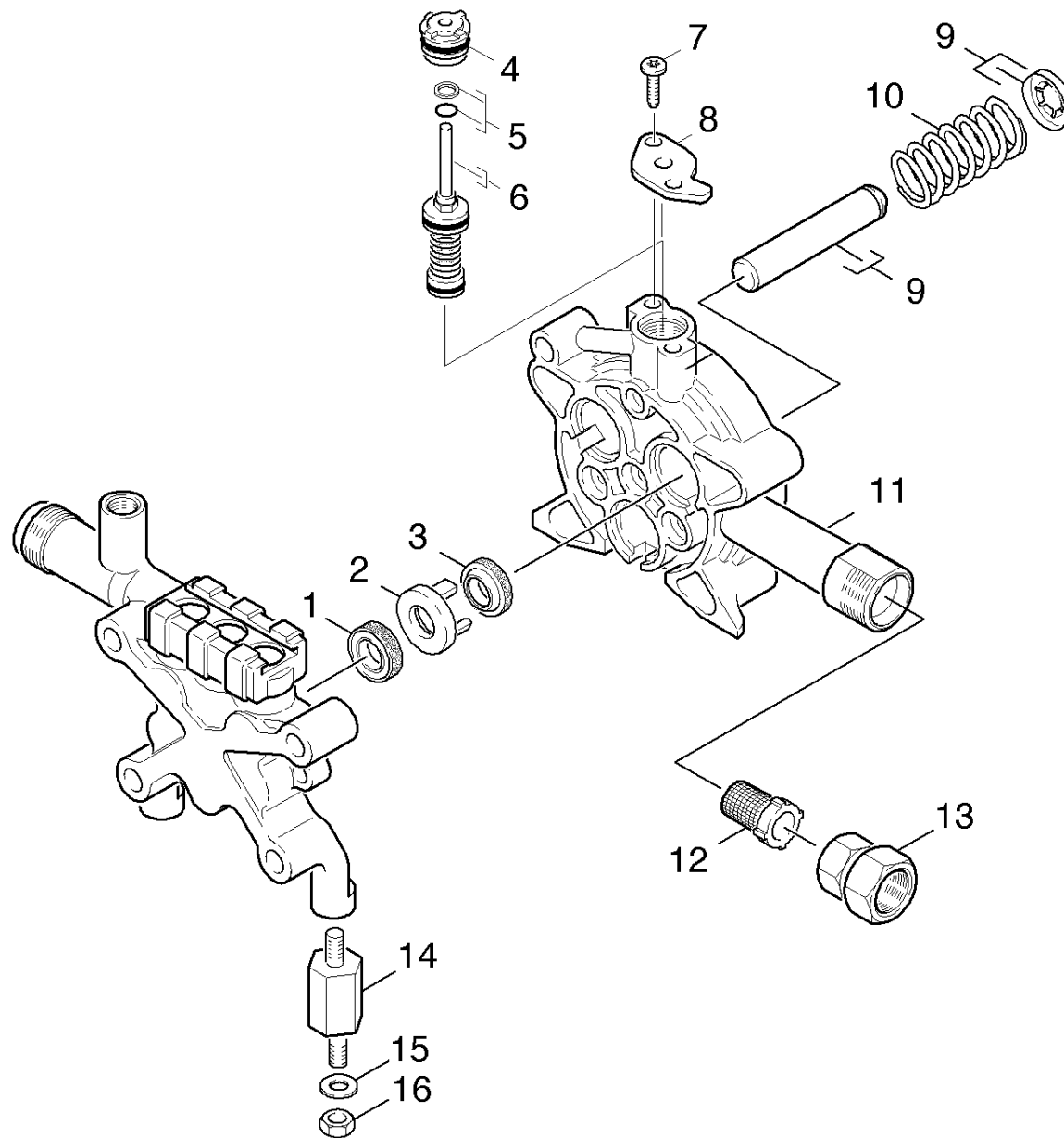


21 Cylinder head

ET/VT (spare/wear parts)	Pos	Material #	Name	Qty.	Unit	from ser.nr.	up to ser.nr.	Footnote text
	1	7.306-154.0	Screw M8x75 -8.8-A3R (In6Rd)	4.000	ST	0000000000	0000000000	
	2	5.550-340.0	Cylinder head K 7.91 M	1.000	ST	0000000000	0000000000	
	3	2.883-862.0	Spare part set chemistry	1.000	ST	0000000000	0000000000	
	4	4.862-032.0	Filter chemistry regulation	1.000	ST	0000000000	0000000000	
	5	6.388-216.0	Hose DN 5	1.000	M	0000000000	0000000000	TO ORDER AS CUT GOODS
	6	4.769-032.0	Nozzle insert	1.000	ST	0000000000	0000000000	
	7	4.584-022.0	Valve pin complete	1.000	ST	0000000000	0000000000	
X-X	8	4.132-007.0	Drain plug only for replacement	3.000	ST	0000000000	0000000000	
	9	2.884-907.0	Valve (3 Stück)	3.000	ST	0000000000	0000000000	
	10	4.030-070.0	Throttle complete	1.000	ST	0000000000	0000000000	
	11	4.030-125.0	Joining piece only for replacement	1.000	ST	0000000000	0000000000	
	12	2.884-877.0	Valve (3 Stueck)	1.000	ST	0000000000	0000000000	
	13	5.003-062.0	Plate	1.000	ST	0000000000	0000000000	

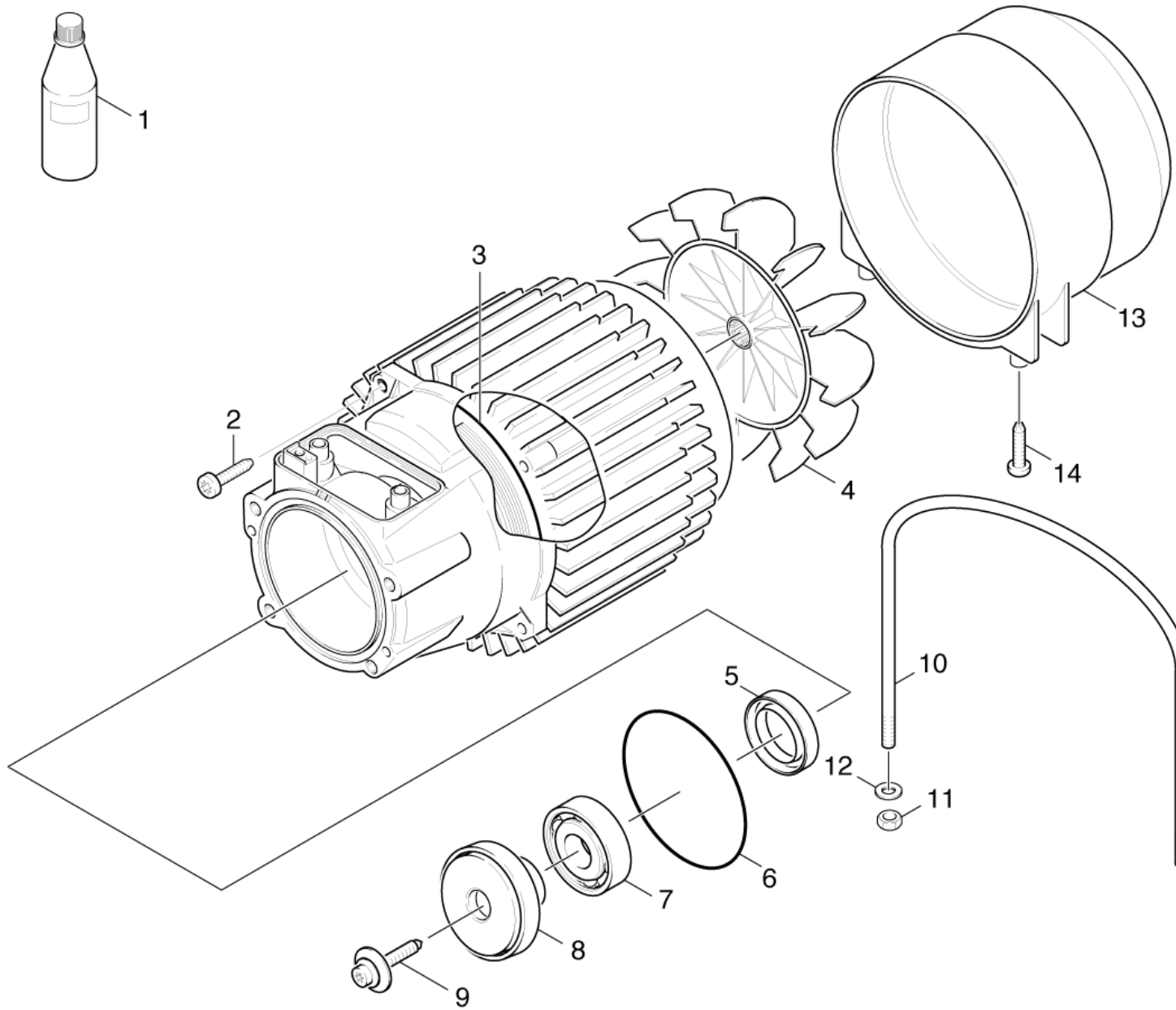
3 Spare part set chemistry (2.883-862.0)

ET/VT (spare/wear parts)	Pos	Material #	Name	Qty.	Unit	from ser.nr.	up to ser.nr.
	10	5.110-714.0	Sleeve	1.000	ST	0000000000	0000000000
	20	5.332-258.0	Helical spring	1.000	ST	0000000000	0000000000
	30	5.380-014.0	Label	1.000	ST	0000000000	0000000000
	40	5.443-448.0	Nipple chemistry	1.000	ST	0000000000	0000000000
X-X	50	6.362-175.0	O-Ring seal 5,28x 1,78	1.000	ST	0000000000	0000000000
	60	6.362-451.0	O-Ring seal 8,0 x 1,0	1.000	ST	0000000000	0000000000
	70	7.401-909.0	Sphere 7 G40 -1.4401 DIN 5401	1.000	ST	0000000000	0000000000



22 Piston guidance

ET/VT (spare/wear parts)	Pos	Material #	Name	Qty.	Unit	from ser.nr.	up to ser.nr.
	1	6.362-875.0	Grooved ring	1.000	ST	0000000000	0000000000
	2	5.115-674.0	Washer	3.000	ST	0000000000	0000000000
X-X	3	6.365-393.0	Oil sealing 12x20x4/6	3.000	ST	0000000000	0000000000
	4	4.030-069.0	Moulded part complete only for replaceme	1.000	ST	0000000000	0000000000
	5	6.362-852.0	O-Ring seal complete 3,69	1.000	ST	0000000000	0000000000
X-X	6	4.580-325.0	Excess-current complete	1.000	ST	0000000000	0000000000
	7	7.303-048.0	Screw M6x20 -St-R3R (In6Rd)	2.000	ST	0000000000	0000000000
	8	5.064-127.0	Cover	1.000	ST	0000000000	0000000000
	9	4.553-173.0	Piston complete	3.000	ST	0000000000	0000000000
X	10	5.332-391.0	Pressure spring	3.000	ST	0000000000	0000000000
	11	5.093-273.0	Piston guidance	1.000	ST	0000000000	0000000000
X-X	12	6.414-252.0	Strainer	1.000	ST	0000000000	0000000000
	13	9.154-009.0	Coupling element 3/4"	1.000	ST	0000000000	0000000000
	14	5.110-918.0	Spacer	2.000	ST	0000000000	0000000000
	15	7.311-512.0	Hexagon nut M 6-8-A2E ISO 7040	2.000	ST	0000000000	0000000000
X-X	16	7.312-003.0	Washer 6 -200HV-A3E ISO 7090	2.000	ST	0000000000	0000000000

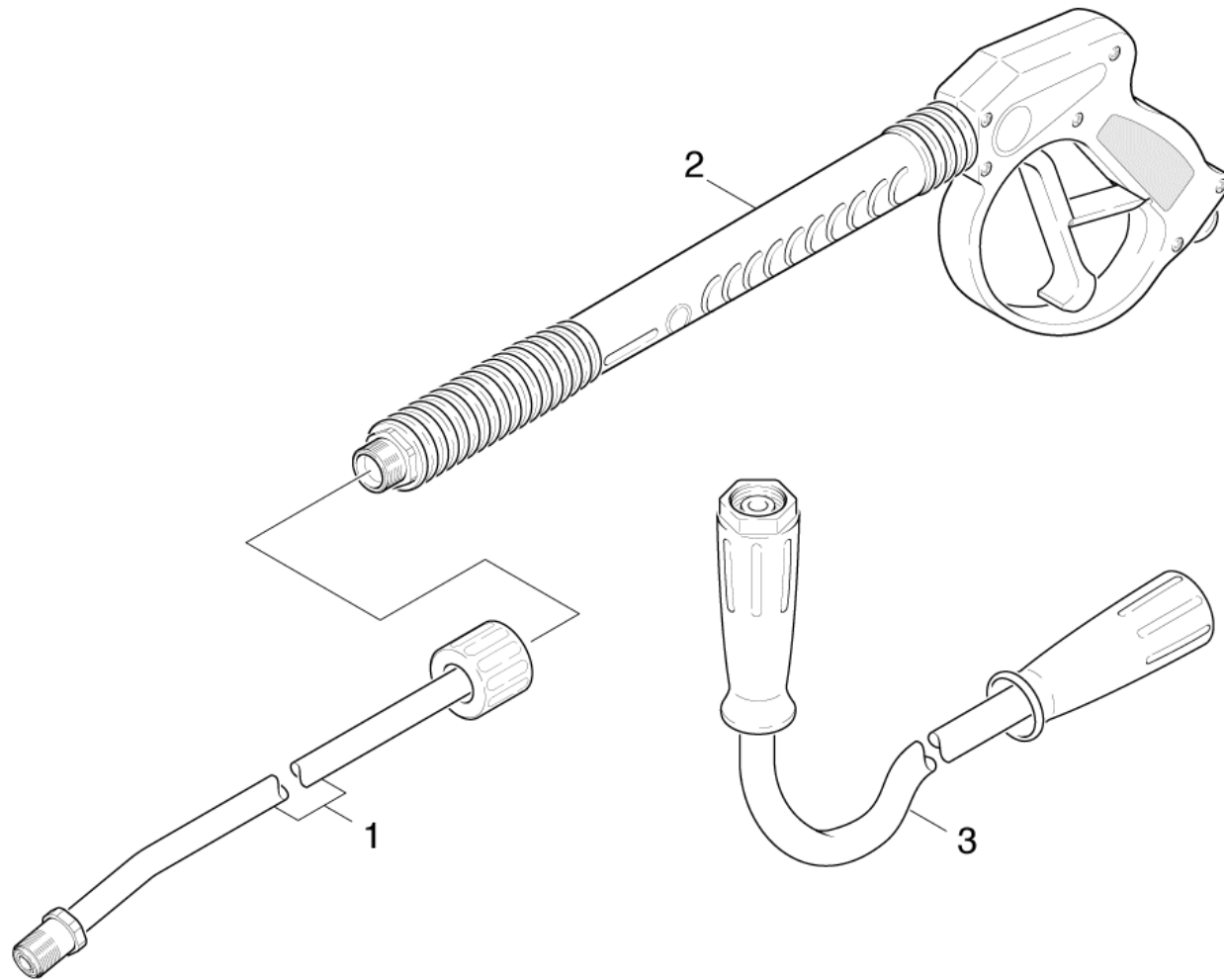


30 Motor

ET/VT (spare/wear parts)	Pos	Material #	Name	Qty.	Unit	from ser.nr.	up to ser.nr.	Footnote text
X	1	6.288-050.0	Engine oil 1L	1.000	ST	0000000000	0000000000	MOTOR 1,1L
	2	6.303-320.0	Screw M 5x 20-St-R2R	4.000	ST	0000000000	0000000000	
	3	5.363-466.0	Joint ring	1.000	ST	0000000000	0000000000	
	4	5.600-038.0	Blower wheel	1.000	ST	0000000000	0000000000	
	5	7.367-008.0	Radial shaft seal ring A25x35x7-NBR DIN	1.000	ST	0000000000	0000000000	
	6	6.362-471.0	O-Ring seal 80,0 X 3,0 -NBR 70	1.000	ST	0000000000	0000000000	
	7	7.401-010.0	Ball bearing 6303 -St DIN 625	1.000	ST	0000000000	0000000000	
	8	6.401-196.0	Wobble plate	1.000	ST	0000000000	0000000000	
	9	6.304-048.0	Cylinder head screw M6x19	1.000	ST	0000000000	0000000000	
	10	5.263-083.0	Clamp	1.000	ST	0000000000	0000000000	
	11	7.311-512.0	Hexagon nut M 6-8-A2E ISO 7040	2.000	ST	0000000000	0000000000	
X-X	12	7.312-003.0	Washer 6 -200HV-A3E ISO 7090	2.000	ST	0000000000	0000000000	
	13	5.692-069.0	Air circulation HD 425 *	1.000	ST	0000000000	0000000000	
	14	6.303-125.0	Screw 5x20-Sonder In6Rd+Spitze	2.000	ST	0000000000	0000000000	

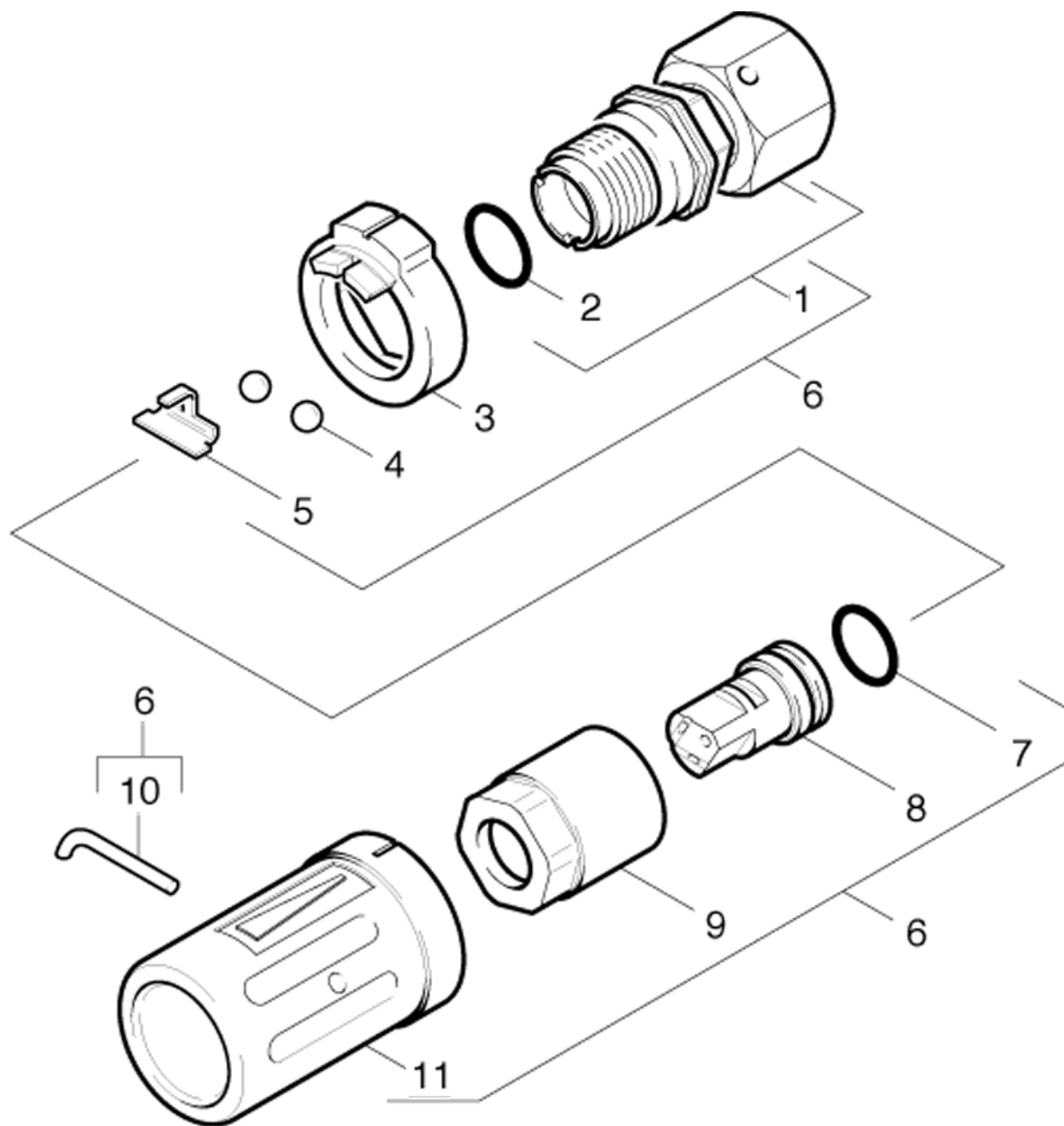
40 Accessories

Pos	Name	Qty.	Unit	from ser.nr.	up to ser.nr.	var. information
41	High pressure pistol	1.000	ST	0000000000	0000000000	
42	Triple jet nozzle	1.000	ST	0000000000	0000000000	VERSION 1
43	Triple jet nozzle	1.000	ST			VERSION 2



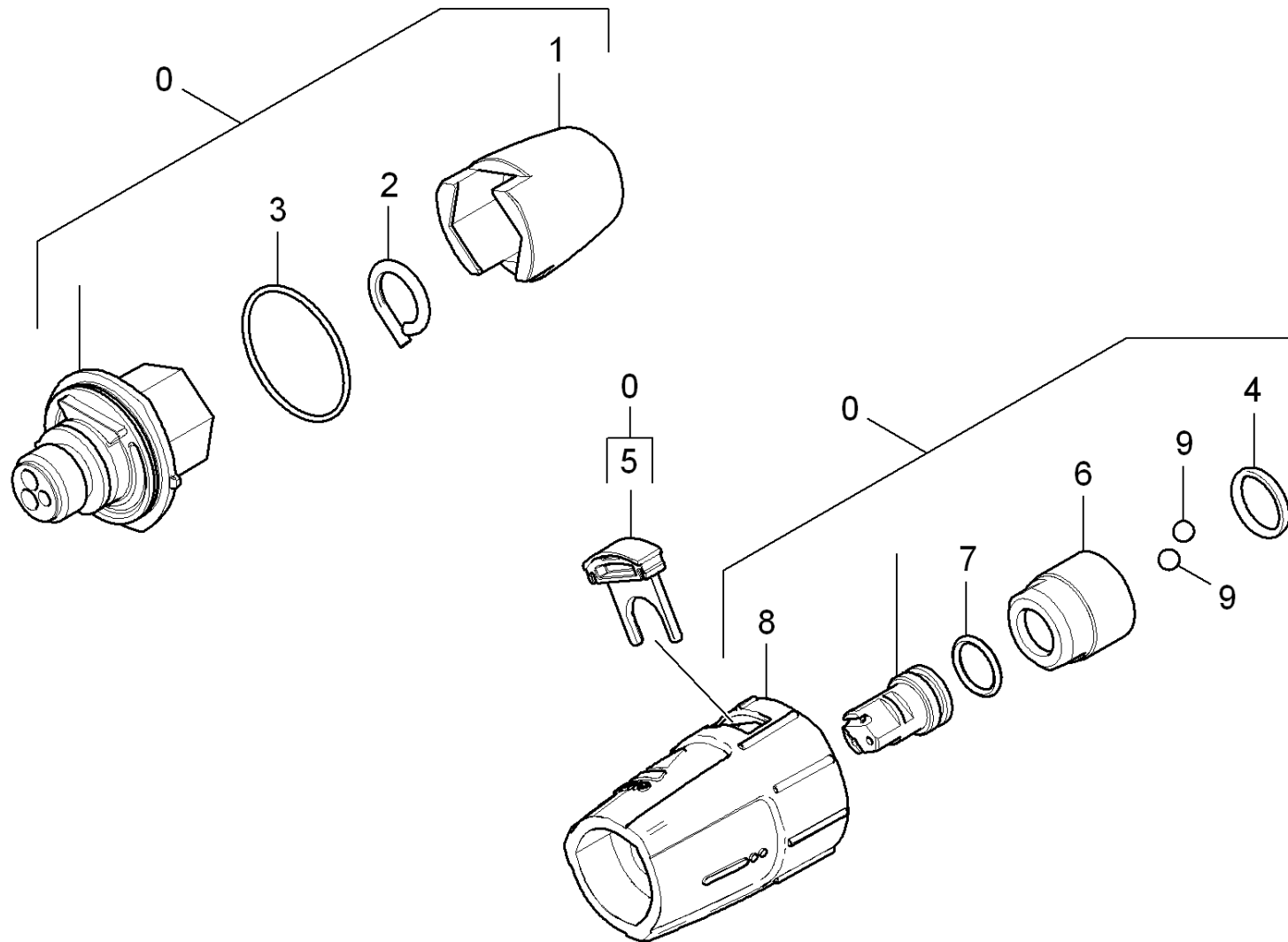
41 High pressure pistol

Pos	Material #	Name	Qty.	Unit	from ser.nr.	up to ser.nr.
1	9.112-504.0	SPRAY LANCE	1.000	ST	0000000000	0000000000
2	9.112-009.0	TRIGGER GUN SK2 M22x1.5 MALE/MALE	1.000	ST	0000000000	0000000000
3	6.391-097.0	High pressure hose	1.000	ST	0000000000	0000000000



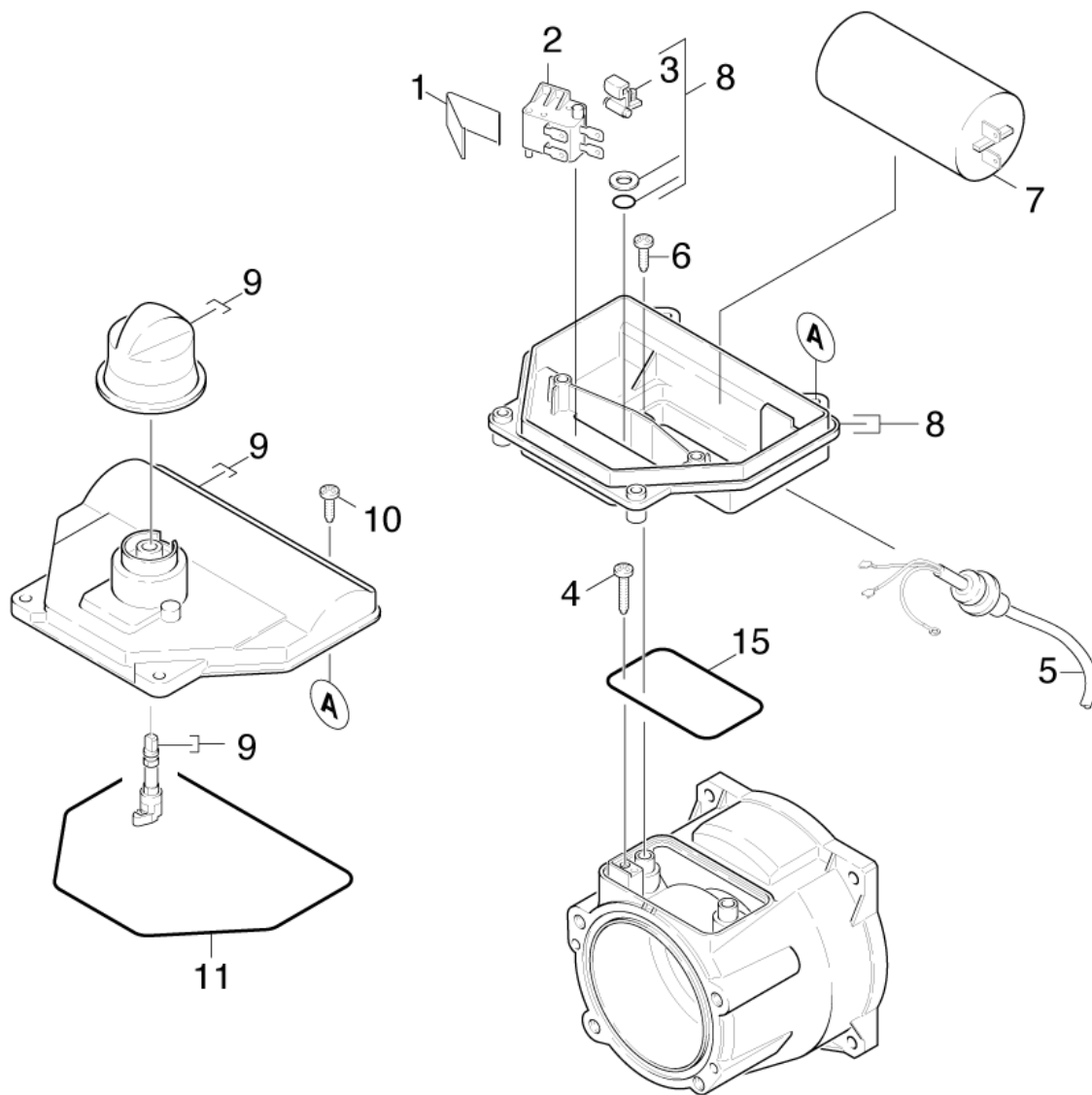
42 Triple jet nozzle

Pos	Material #	Name	Qty.	Unit	from ser.nr.	up to ser.nr.
1	4.402-042.0	Screw union	1.000	ST	0000000000	0000000000
2	6.362-460.0	O-Ring seal 14,0 X 2,5-NBR 70	1.000	ST	0000000000	0000000000
3	5.030-528.0	Moulded part	1.000	ST	0000000000	0000000000
4	7.401-902.0	Sphere 5 G20 -1.4034 DIN 5401	2.000	ST	0000000000	0000000000
5	5.042-405.0	Holder	1.000	ST	0000000000	0000000000
6		Stockpiling discontinued	1.000	ST	0000000000	0000000000
7	6.362-480.0	O-Ring seal 12,42x 1,78	1.000	ST	0000000000	0000000000
8		Stockpiling discontinued	1.000	ST	0000000000	0000000000
9	5.311-117.0	Hexagon nut	1.000	ST	0000000000	0000000000
10	5.037-059.0	Hook	1.000	ST	0000000000	0000000000
11	5.394-269.0	Protection part	1.000	ST	0000000000	0000000000



43 Triple jet nozzle

Pos	Material #	Name	Qty.	Unit
0	4.767-146.0	Triple jet nozzle replacement 033	1.000	ST
1	5.394-530.0	Protection part complete	1.000	ST
2	6.343-150.0	Pin 03	1.000	ST
3	6.362-409.0	O-Ring seal 32,0 X 1,5	1.000	ST
4	6.362-460.0	O-Ring seal 14,0 X 2,5-NBR 70	1.000	ST
5	5.321-884.0	Clamp	1.000	ST
6	5.311-225.0	Nut	1.000	ST
7	6.362-480.0	O-Ring seal 12,42x 1,78	1.000	ST
8	5.394-859.0	Protection part	1.000	ST
9	7.401-902.0	Sphere 5 G20 -1.4034 DIN 5401	2.000	ST



50 Electric box

Pos	Material #	Name	Qty.	Unit	from ser.nr.	up to ser.nr.	Footnote text
1	5.337-027.0	Plate spring	1.000	ST	0000000000	0000000000	
2	6.631-946.0	Micro switch	1.000	ST	0000000000	0000000000	
3	4.047-003.0	Rocker switch complete	1.000	ST	0000000000	0000000000	
4	7.303-031.0	Screw M4x10 -St-P2R (In6Rd)	1.000	ST	0000000000	0000000000	
5	6.648-877.0	Cable with plug triple-pole GFCI	1.000	ST	0000000000	0000000000	
Position text: / 1.118-872.0							
5	6.647-508.0	Cable with plug *CDN	1.000	ST	0000000000	0000000000	
Position text: / 1.118-871.0							
6	7.303-048.0	Screw M6x20 -St-R3R (In6Rd)	2.000	ST	0000000000	0000000000	
7	9.085-036.0	Capacitor 65MUF	1.000	ST	0000000000	0000000000	
8	4.800-851.0	Electric box complete only for replaceme	1.000	ST	0000000000	0000000000	
9	4.063-720.0	Cover electric box	1.000	ST	0000000000	0000000000	
10	6.303-125.0	Screw 5x20-Sonder In6Rd+Spitze	4.000	ST	0000000000	0000000000	
11	6.273-070.0	Seal string cellular rubber 4	1.000	M	0000000000	0000000000	TO ORDER AS CUT GOODS
12	6.303-199.0	Oval head screw 4,2x 16	2.000	ST	0000000000	0000000000	
15	6.362-887.0	O-Ring seal 65,0 X 2,5	1.000	ST	0000000000	0000000000	