

Spare parts list

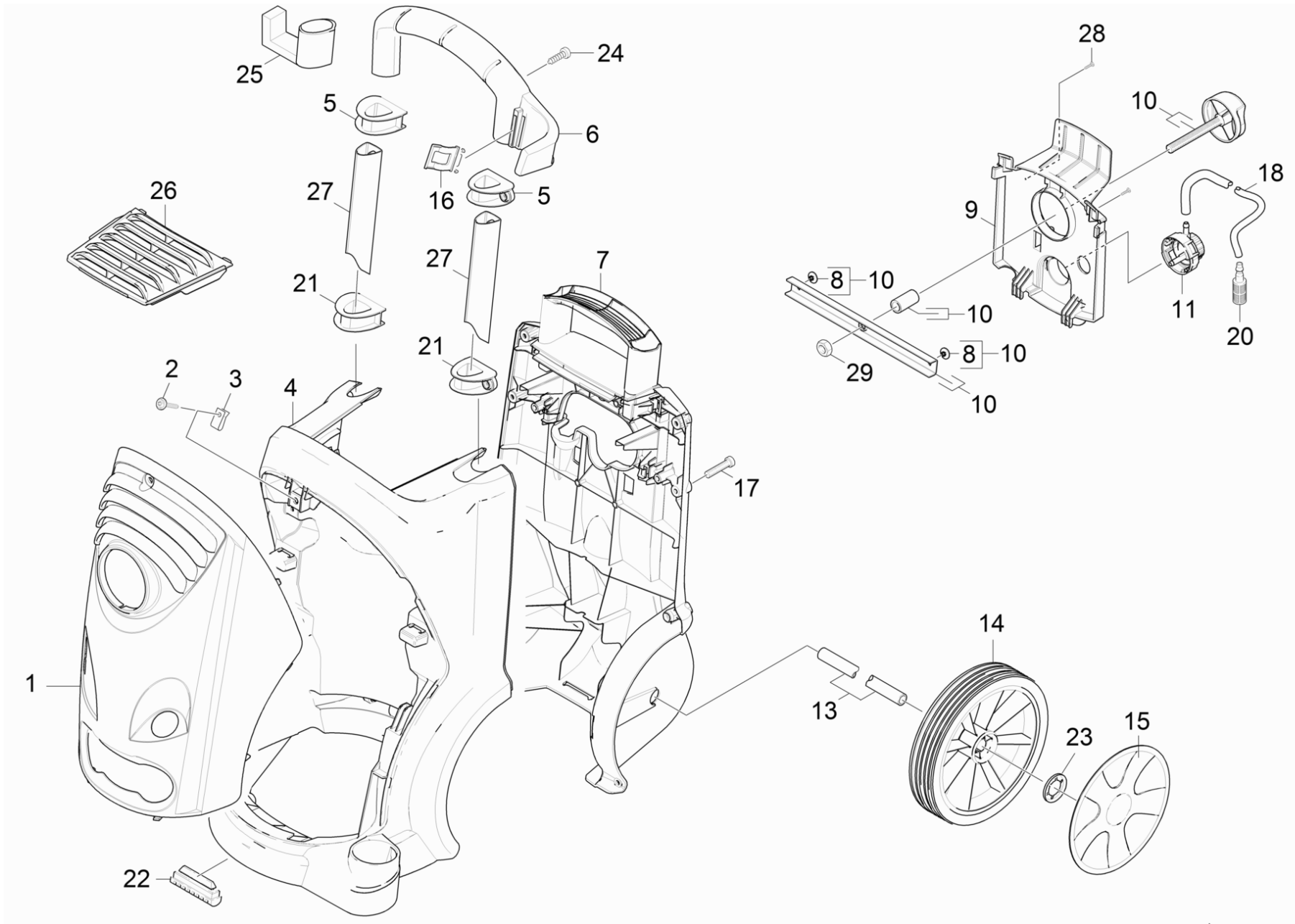
(5.972-551.0) Spare parts list HD 3.0/20 C Ea

Table of contents

Order instructions	2
Spare parts list HD 3.0/20 C Ea (5.972-551.0)	6
10 Housing	7
20 Pump set	9
21 Cylinder head	10
4 Valve (3 Stück) (2.884-916.0)	12
11 Drain plug only for replacement (4.132-007.0)	14
21 Nozzle insert only for replacement (4.769-034.0)	16
31 Spindle complete (4.291-014.0)	18
100 Pump set HD 6/15 C (2.885-242.0)	20
1 Valve (3 Stück) (2.884-916.0)	21
14 Drain plug only for replacement (4.132-007.0)	23
22 Thrust guidance	25
30 Motor	27
40 Accessories	29
41 Hand trigger gun	30
1 HAND TRIGGER GUN EASY PRESS (4.775-463.0)	32
9002 Lever complete (4.481-209.0)	34
4 Lever complete (4.481-209.0)	36
42 High pressure hose	38
43 Jet pipe	40
1 Jet pipe packaged only for replacement (4.760-663.0)	42
44 Triple jet nozzle	44
Triple jet nozzle only for replacement 0 (4.767-152.0)	46
50 Electric box	48

Spare parts list HD 3.0/20 C Ea (5.972-551.0)

POS	Description	Quantity	Unit
10	Housing	1.000	ST
20	Pump set	1.000	ST
30	Motor	1.000	ST
40	Accessories	1.000	ST
50	Electric box	1.000	ST

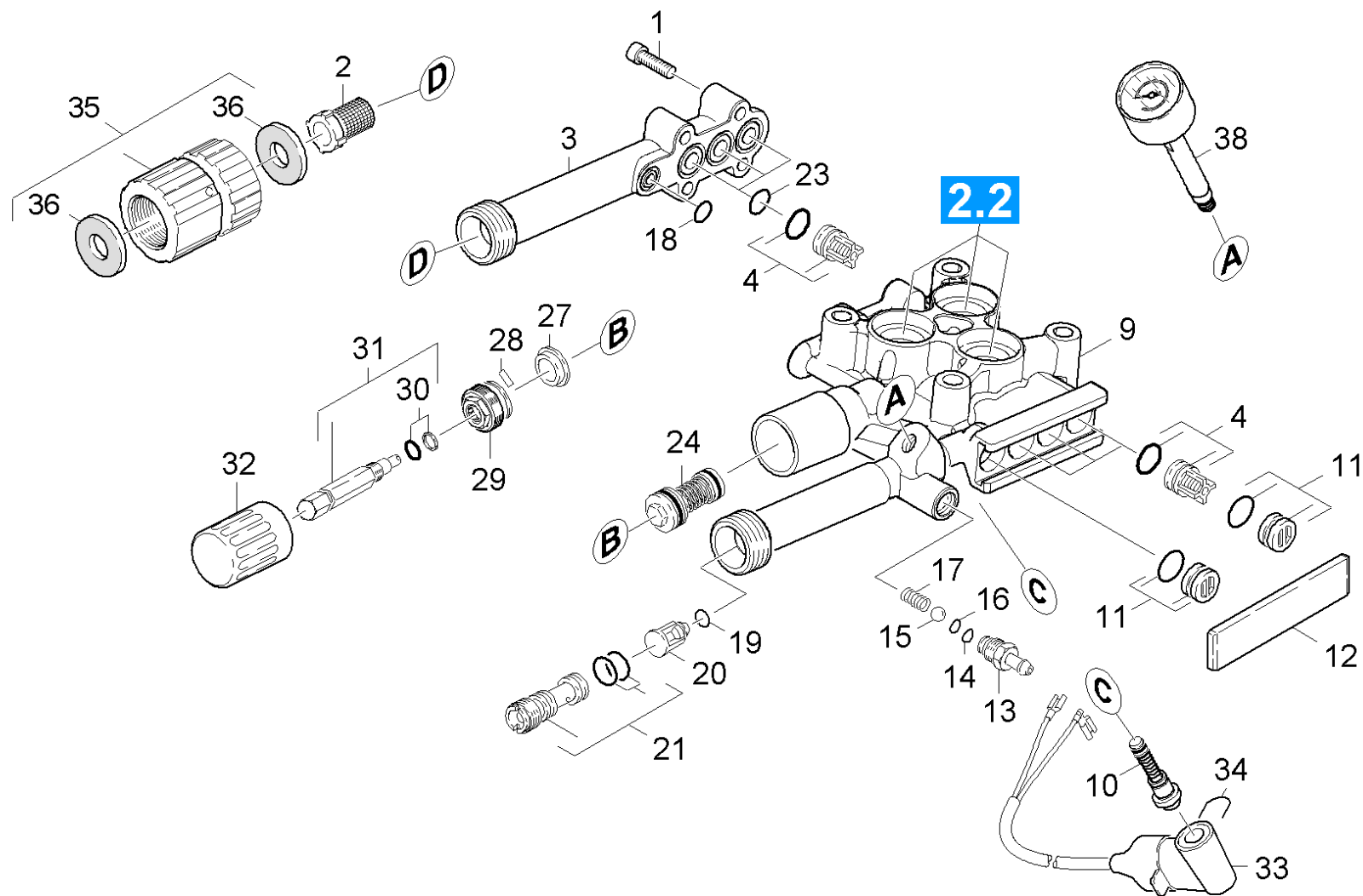


10 Housing

POS	Article no.	Description	Quantity	Unit	Serial number from	Serial number to	Foot note text
1	5.069-443.0	Device cover basalt grey only for replac	1.000	ST	0000000000	0000000000	
2	6.304-099.0	Saucer-head screw M 6x 18-4.8-R2R	1.000	ST	0000000000	0000000000	
3	6.310-053.0	Putting nut	1.000	ST	0000000000	0000000000	
4	5.050-286.0	Frame front part	1.000	ST	0000000000	0000000000	
5	5.032-554.0	Guide	2.000	ST	0000000000	0000000000	
6	5.321-721.0	Hand grip	1.000	ST	0000000000	0000000000	
7	5.050-207.0	Frame rear panel	1.000	ST	0000000000	0000000000	
8	6.315-086.0	Rivet	2.000	ST	0000000000	0000000000	
9		Covering cap with bore	1.000	ST	0000000000	0000000000	
10	2.885-007.0	Spare part set Griff	1.000	ST	0000000000	0000000000	
11	4.063-778.0	Proportioning valve chemistry	1.000	ST	0000000000	0000000000	
13	5.105-399.0	Axle	1.000	ST	0000000000	0000000000	
14	6.435-662.0	Wheel D200	2.000	ST	0000000000	0000000000	
15	4.515-323.0	Spare parts set wheel cap basalt grey RA	1.000	ST	0000000000	0000000000	SET OF 2 PIECES
16	5.044-216.0	Holder	1.000	ST	0000000000	0000000000	
17	7.303-108.0	Screw 5x20 -10.9-R2R (In6Rd)	10.000	ST	0000000000	0000000000	
18	6.388-216.0	Hose DN 5	1.000	M	0000000000	0000000000	TO ORDER AS CUT GOODS
20	5.731-652.0	Filter with weight	1.000	ST	0000000000	0000000000	
21	5.032-555.0	Guide	2.000	ST	0000000000	0000000000	
22	5.057-062.0	Support	2.000	ST	0000000000	0000000000	
23	6.343-168.0	Lock washer	2.000	ST	0000000000	0000000000	
24	7.303-046.0	Screw M6x12 -St-R3R (In6Rd)	2.000	ST	0000000000	0000000000	
25	5.037-170.0	Hook	1.000	ST	0000000000	0000000000	
26	5.064-217.0	Cover air inlet	1.000	ST	0000000000	0000000000	
27	5.107-248.0	Bar shearing shackle	2.000	ST			
28	7.303-107.0	Screw 5x16 -10.9-P2R (K-In6Rd)	2.000	ST			
29	7.311-088.0	Hexagon nut M10-8-A2K EN 1664	1.000	ST			

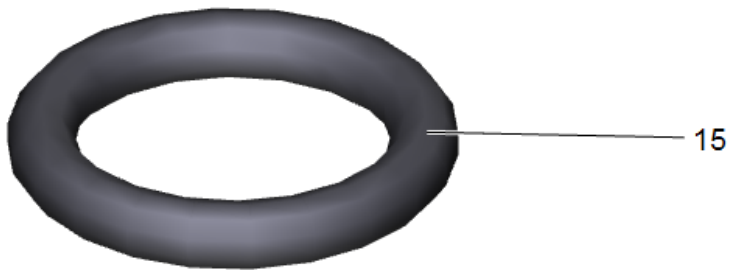
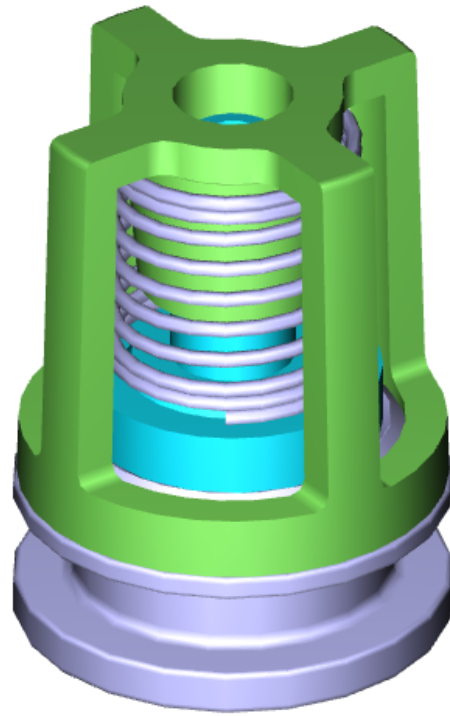
20 Pump set

POS	Description	Quantity	Unit
21	Cylinder head	1.000	ST
22	Thrust guidance	1.000	ST



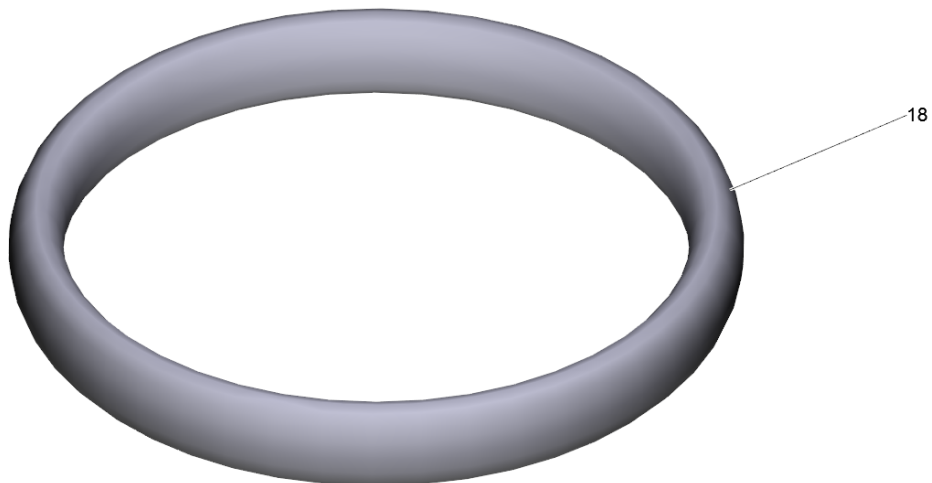
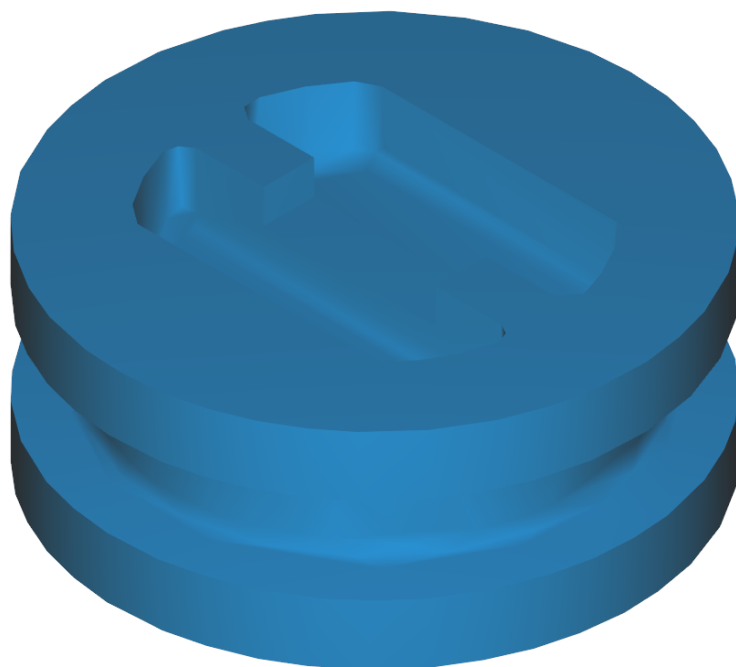
21 Cylinder head

POS	Article no.	Description	Quantity	Unit	Serial number from	Serial number to
1	7.306-105.0	Screw M6x30 -8.8-R3R (In6Rd)	4.000	ST	0000000000	0000000000
2	6.414-252.0	Strainer	1.000	ST	0000000000	0000000000
3	5.064-150.0	Suction cover	1.000	ST	0000000000	0000000000
4	2.884-916.0	Valve (3 Stück)	2.000	ST	0000000000	0000000000
9	5.550-324.0	Cylinder head	1.000	ST	0000000000	0000000000
10	2.884-501.0	Spare part set control piston	1.000	ST	0000000000	0000000000
11	4.132-007.0	Drain plug only for replacement	4.000	ST	0000000000	0000000000
12	5.003-062.0	Plate	1.000	ST	0000000000	0000000000
13	5.443-624.0	Nipple	1.000	ST	0000000000	0000000000
14	6.362-113.0	O-Ring seal 6,0 x 2,0 NBR 70	1.000	ST	0000000000	0000000000
15	7.401-908.0	Sphere 7 G300 -1.4301 DIN 5401	1.000	ST	0000000000	0000000000
16	6.362-175.0	O-Ring seal 5,28x 1,78	1.000	ST	0000000000	0000000000
17	5.332-258.0	Helical spring	1.000	ST	0000000000	0000000000
18	6.362-384.0	O-Ring seal 9x1,5 - NBR 70	1.000	ST	0000000000	0000000000
19	6.363-613.0	O-Ring seal 4 x 2 -NBR90	1.000	ST	0000000000	0000000000
20	5.584-091.0	Valve pin check valve	1.000	ST	0000000000	0000000000
21	4.769-034.0	Nozzle insert only for replacement	1.000	ST		
23	6.362-533.0	O-Ring seal 14,0 X 1,5-NBR 70	3.000	ST	0000000000	0000000000
24	4.591-038.0	Overflow valve	1.000	ST	0000000000	0000000000
27	5.110-630.0	Sleeve	1.000	ST	0000000000	0000000000
28	7.314-629.0	Grooved pin 2x10 -A1 ISO 8742	1.000	ST	0000000000	0000000000
29	5.583-147.0	Valve screw	1.000	ST	0000000000	0000000000
30	6.362-468.0	O-Ring seal complete 1ST.-R.	1.000	ST	0000000000	0000000000
31	4.291-014.0	Spindle complete	1.000	ST	0000000000	0000000000
32	5.322-095.0	Handhold yellow RAL 1018	1.000	ST	0000000000	0000000000
33	4.744-242.0	Switch kpl. -nur für Ersatz-	1.000	ST	0000000000	0000000000
34	5.034-494.0	Retaining bracket	1.000	ST	0000000000	0000000000
35	4.401-059.0	Screw connector part	1.000	ST	0000000000	0000000000
36	5.364-129.0	Flat gasket	2.000	ST	0000000000	0000000000
38	6.421-349.0	Pressure gauge 0-30 MPa	1.000	ST	0000000000	0000000000
100	2.885-242.0	Pump set HD 6/15 C	1.000	ST		



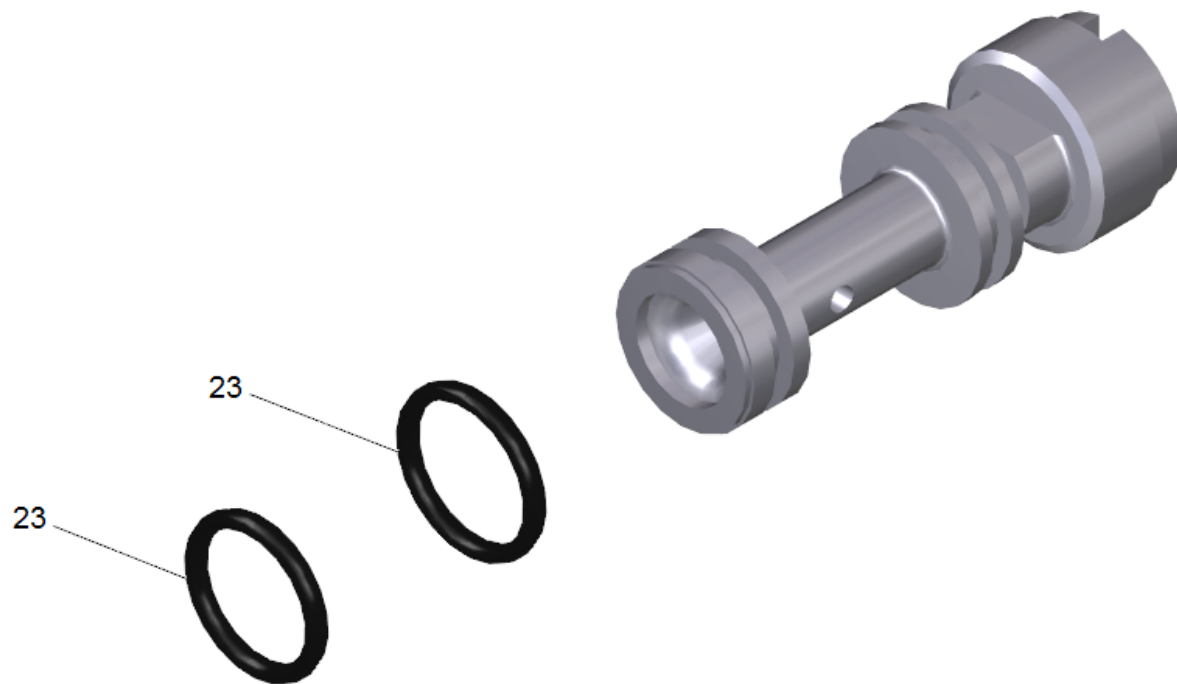
4 Valve (3 Stück) (2.884-916.0)

POS	Article no.	Description	Quantity	Unit
15	6.362-077.0	O-Ring seal 10 x 2,2 NBR 70	1.000	ST



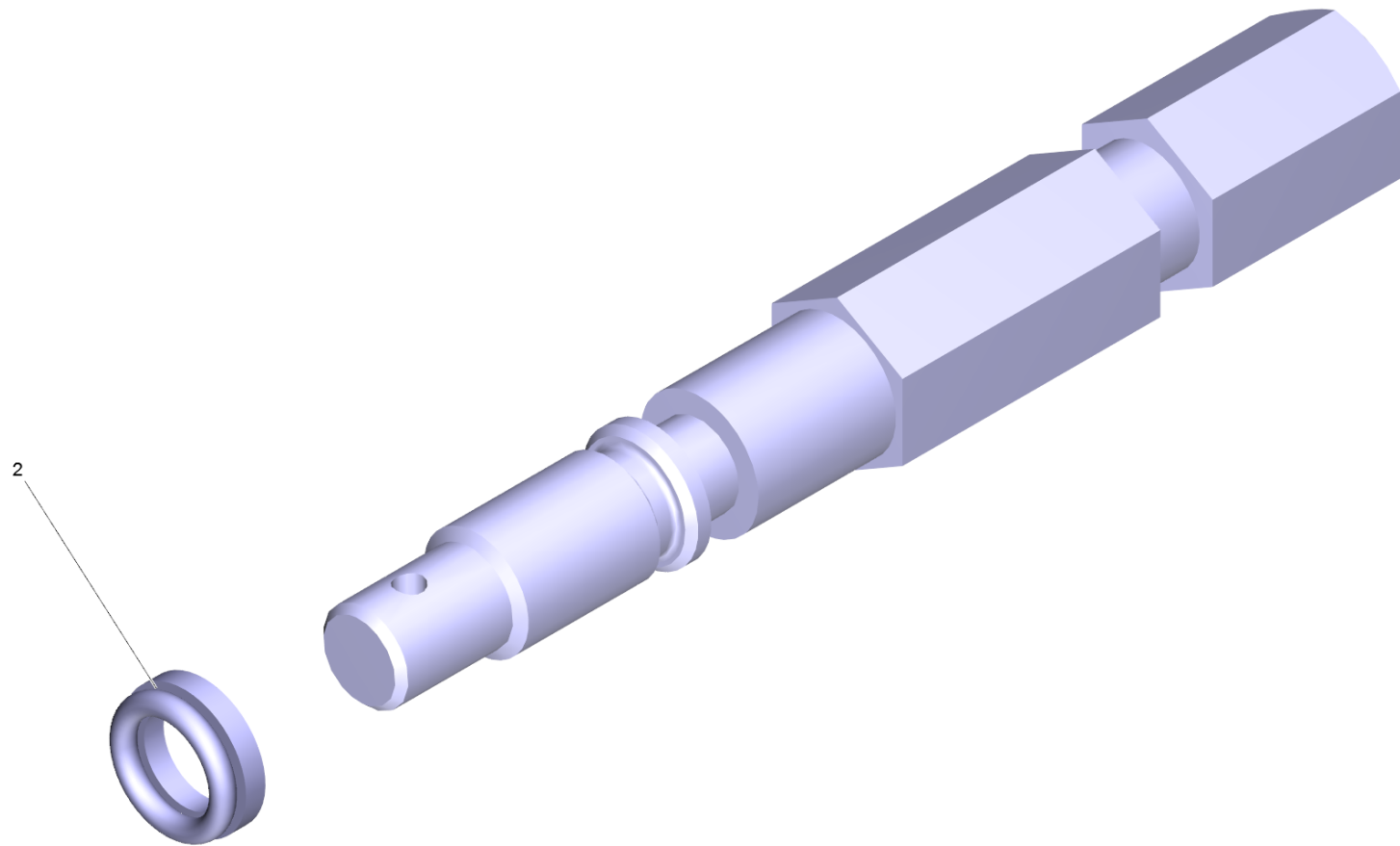
11 Drain plug only for replacement (4.132-007.0)

POS	Article no.	Description	Quantity	Unit
18	6.362-458.0	O-Ring seal 11,0x2,0-NBR 70	1.000	ST



21 Nozzle insert only for replacement (4.769-034.0)

POS	Article no.	Description	Quantity	Unit
23	6.362-384.0	O-Ring seal 9x1,5 - NBR 70	2.000	ST

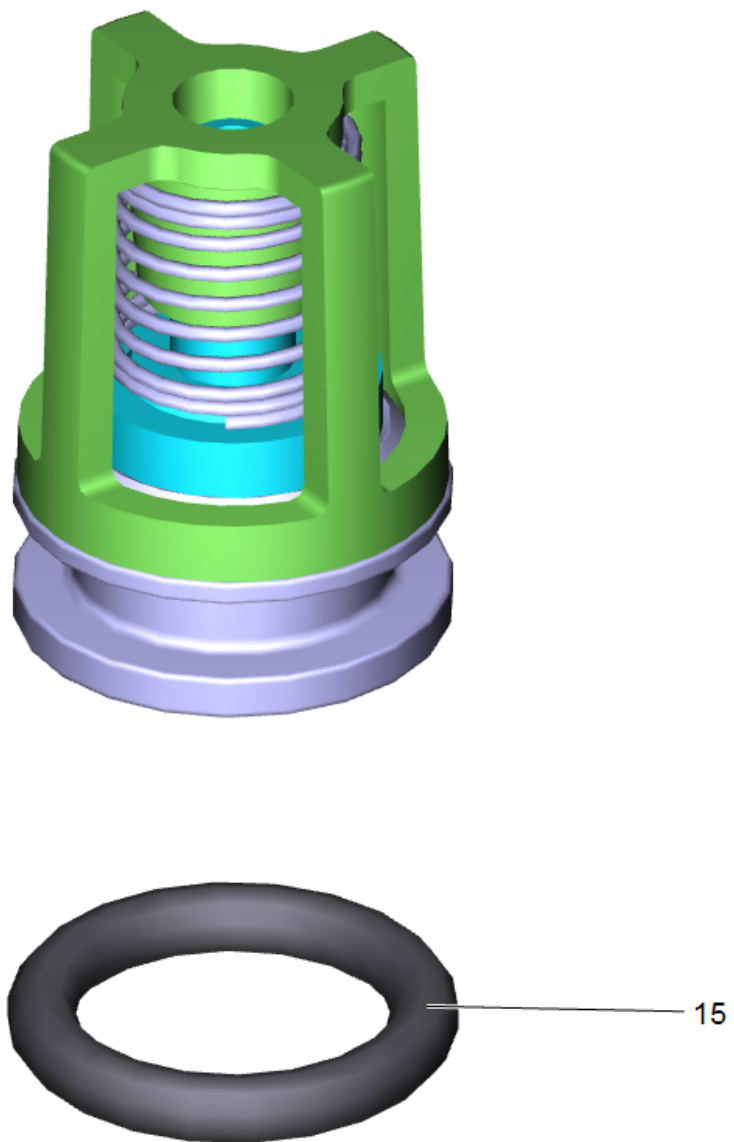


31 Spindle complete (4.291-014.0)

POS	Article no.	Description	Quantity	Unit
2	6.362-468.0	O-Ring seal complete 1ST.-R.	1.000	ST

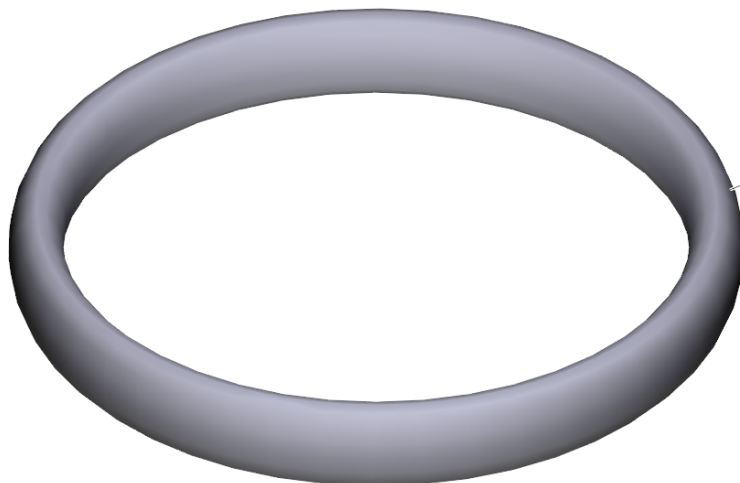
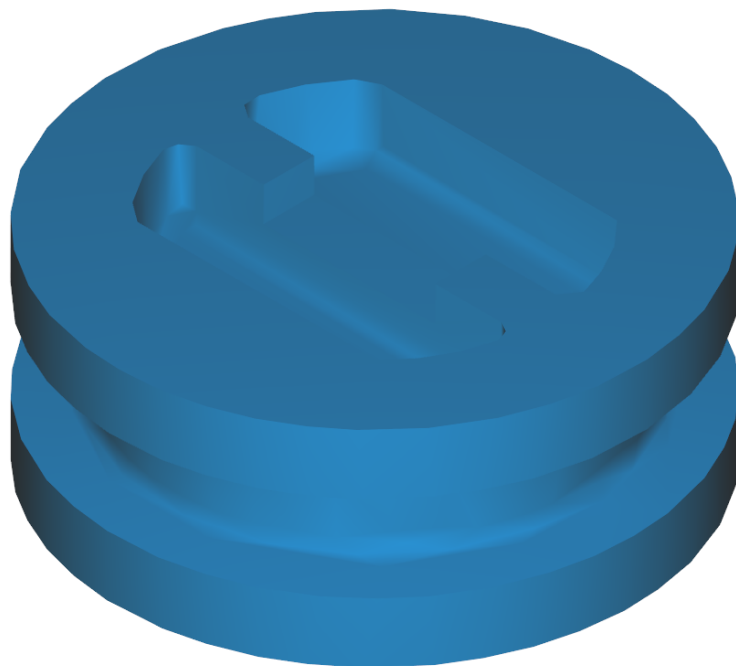
100 Pump set HD 6/15 C (2.885-242.0)

POS	Article no.	Description	Quantity	Unit
1	2.884-916.0	Valve (3 Stück)	2.000	ST
2	5.115-721.0	Washer	3.000	ST
3	5.116-093.0	Washer	3.000	ST
5	6.288-072.0	Silicon grease	1.000	ST
6	6.362-384.0	O-Ring seal 9x1,5 - NBR 70	1.000	ST
7	6.362-376.0	O-Ring seal 24,0 X 1,5	3.000	ST
9	6.365-393.0	Oil sealing 12x20x4/6	3.000	ST
10	6.365-563.0	Grooved ring	6.000	ST
14	4.132-007.0	Drain plug only for replacement	4.000	ST
16	6.362-533.0	O-Ring seal 14,0 X 1,5-NBR 70	3.000	ST
17	5.112-726.0	Bush	3.000	ST



1 Valve (3 Stück) (2.884-916.0)

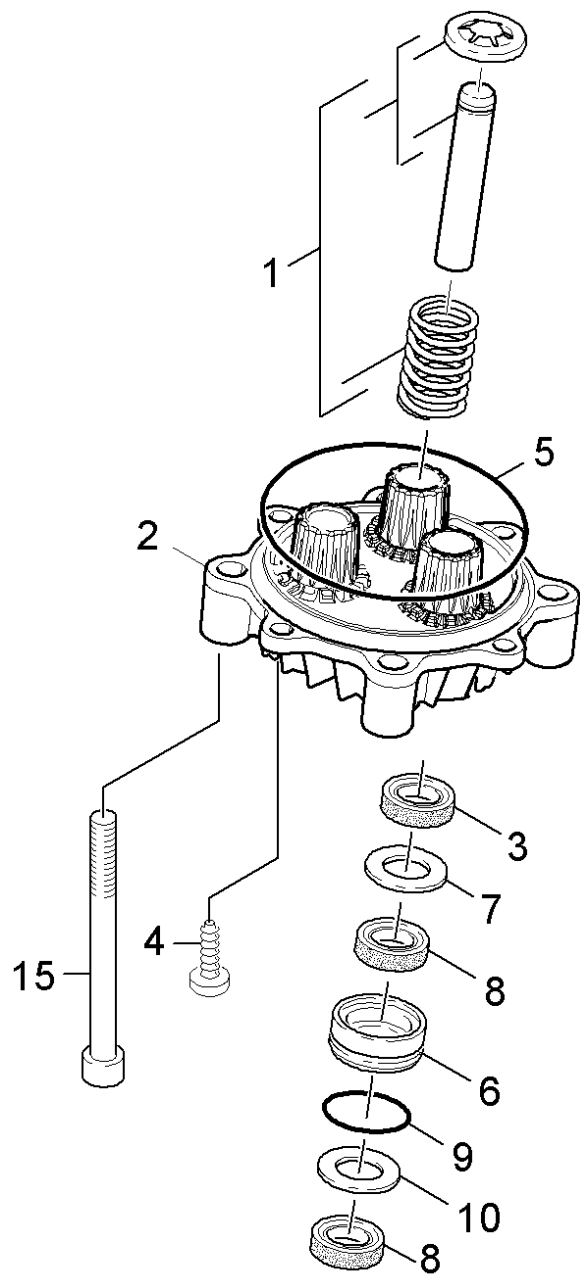
POS	Article no.	Description	Quantity	Unit
15	6.362-077.0	O-Ring seal 10 x 2,2 NBR 70	1.000	ST



18

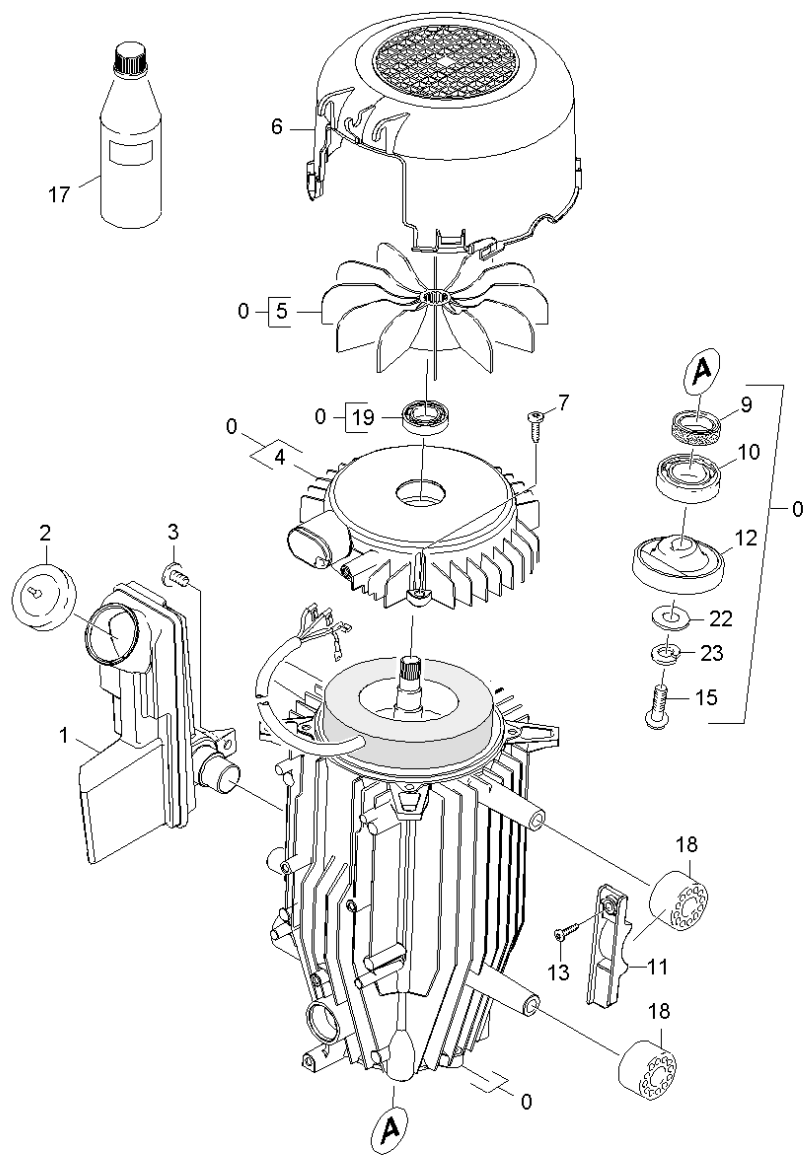
14 Drain plug only for replacement (4.132-007.0)

POS	Article no.	Description	Quantity	Unit
18	6.362-458.0	O-Ring seal 11,0x2,0-NBR 70	1.000	ST



22 Thrust guidance

POS	Article no.	Description	Quantity	Unit
1	4.553-231.0	Piston complete only for replacement	3.000	ST
2	5.061-018.0	Thrust guidance	1.000	ST
3	6.365-393.0	Oil sealing 12x20x4/6	3.000	ST
4	7.303-047.0	Screw M6x16 -St-R3R (In6Rd)	2.000	ST
5	6.363-252.0	O-Ring seal 75,87 x 2,62	1.000	ST
6	5.112-726.0	Bush	3.000	ST
7	5.116-093.0	Washer	3.000	ST
8	6.365-477.0	Grooved ring 12x20x5,3/2,8	6.000	ST
9	6.362-376.0	O-Ring seal 24,0 X 1,5	3.000	ST
10	5.115-721.0	Washer	3.000	ST
15	7.306-106.0	Cylinder head screw M8x70 -8.8-A2E ISO4	4.000	ST

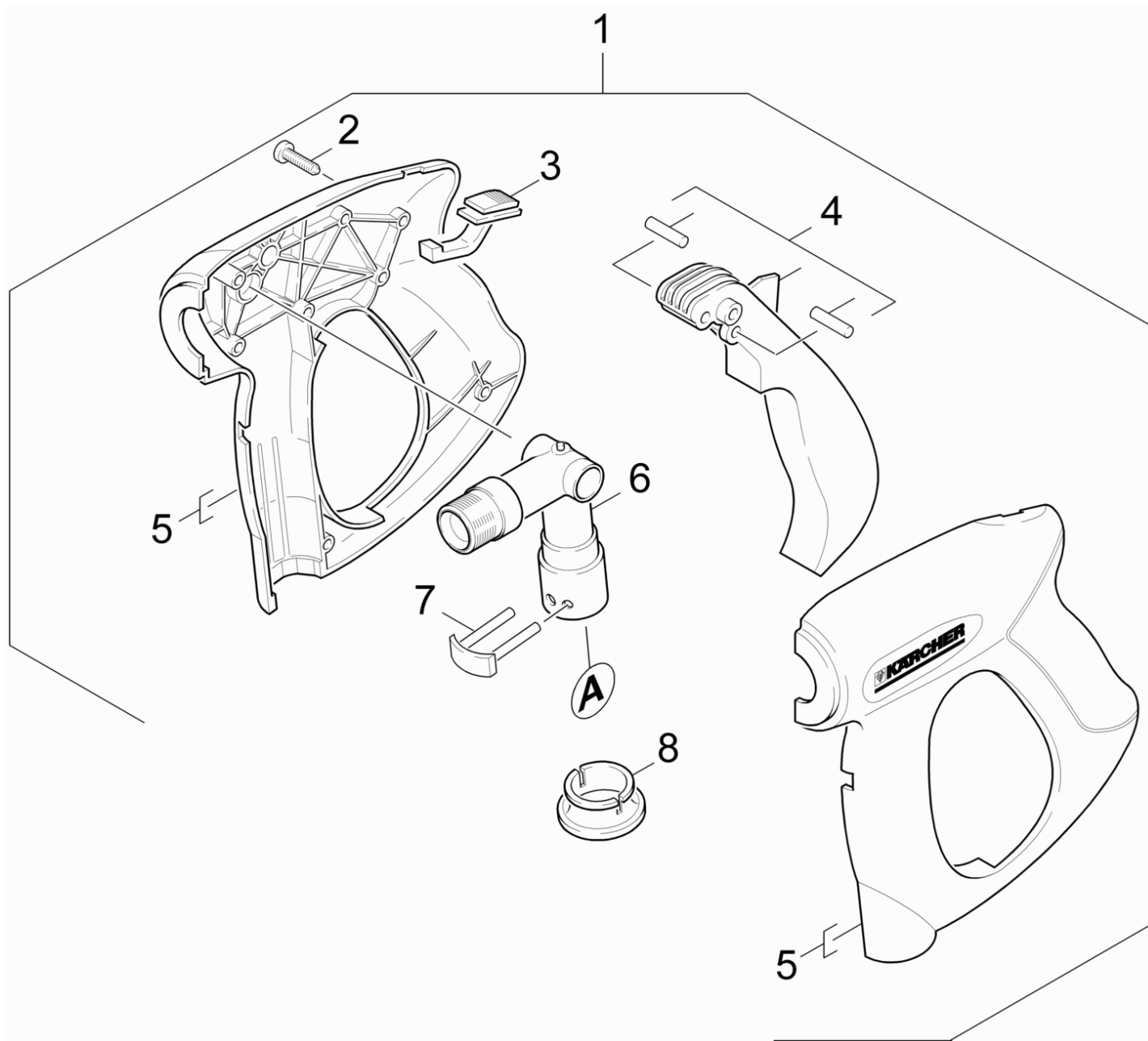


30 Motor

POS	Article no.	Description	Quantity	Unit
0	4.623-853.0	Motor complete only for replacement	1.000	ST
1	5.070-639.0	Tank oil	1.000	ST
2	5.064-454.0	Cover qusty grey	1.000	ST
3	6.303-153.0	Screw M5x15-ST-R2R (IN6RD)	1.000	ST
4	5.064-197.0	Bearing cover B	1.000	ST
5	5.600-060.0	Blower wheel	1.000	ST
6	5.692-081.0	Air circulation	1.000	ST
7	6.303-320.0	Screw M 5x 20-St-R2R	4.000	ST
9	7.367-001.0	Radial shaft seal ring A24x37x7 -NBR DI	1.000	ST
10	6.401-410.0	Angular contact ball bearing	1.000	ST
11	5.802-288.0	Mounting part	2.000	ST
12	4.120-216.0	Wobble plate	1.000	ST
13	7.303-108.0	Screw 5x20 -10.9-R2R (In6Rd)	2.000	ST
15	7.306-042.0	Cylinder head screw M8x25 -8.8-A2E ISO4	1.000	ST
17	6.288-050.0	Engine oil 1L	1.000	ST
18	5.767-005.0	Rubber buffer	4.000	ST
19	7.401-128.0	Ball bearing 6202-2RS -Wälzl.St DIN 625	1.000	ST
22	7.312-277.0	Washer 8-200HV-A2E ISO7093-1	1.000	ST
23	7.313-004.0	Spring washer B 8-FSt-A3E DIN 127	1.000	ST

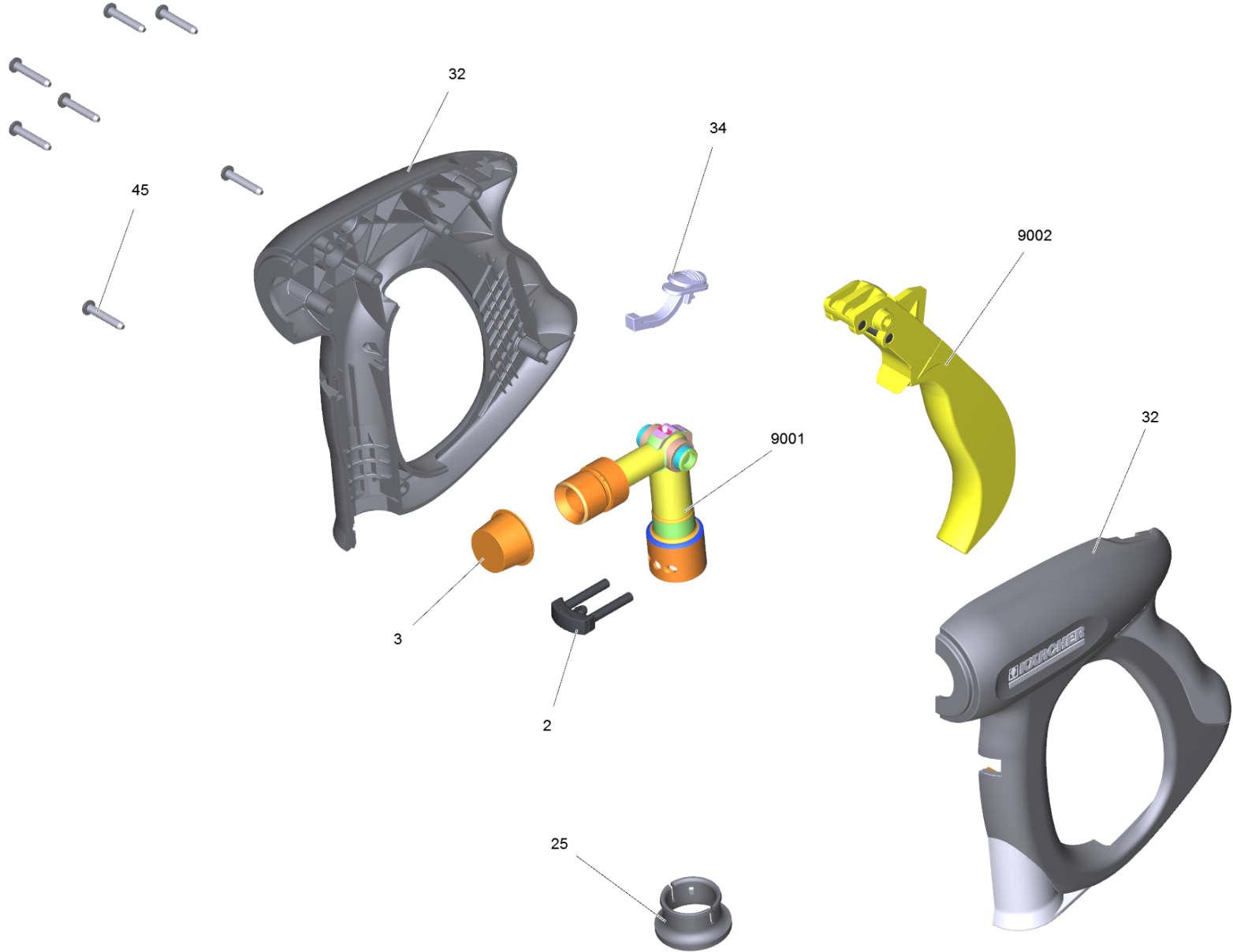
40 Accessories

POS	Description	Quantity	Unit
41	Hand trigger gun	1.000	ST
42	High pressure hose	1.000	ST
43	Jet pipe	1.000	ST
44	Triple jet nozzle	1.000	ST



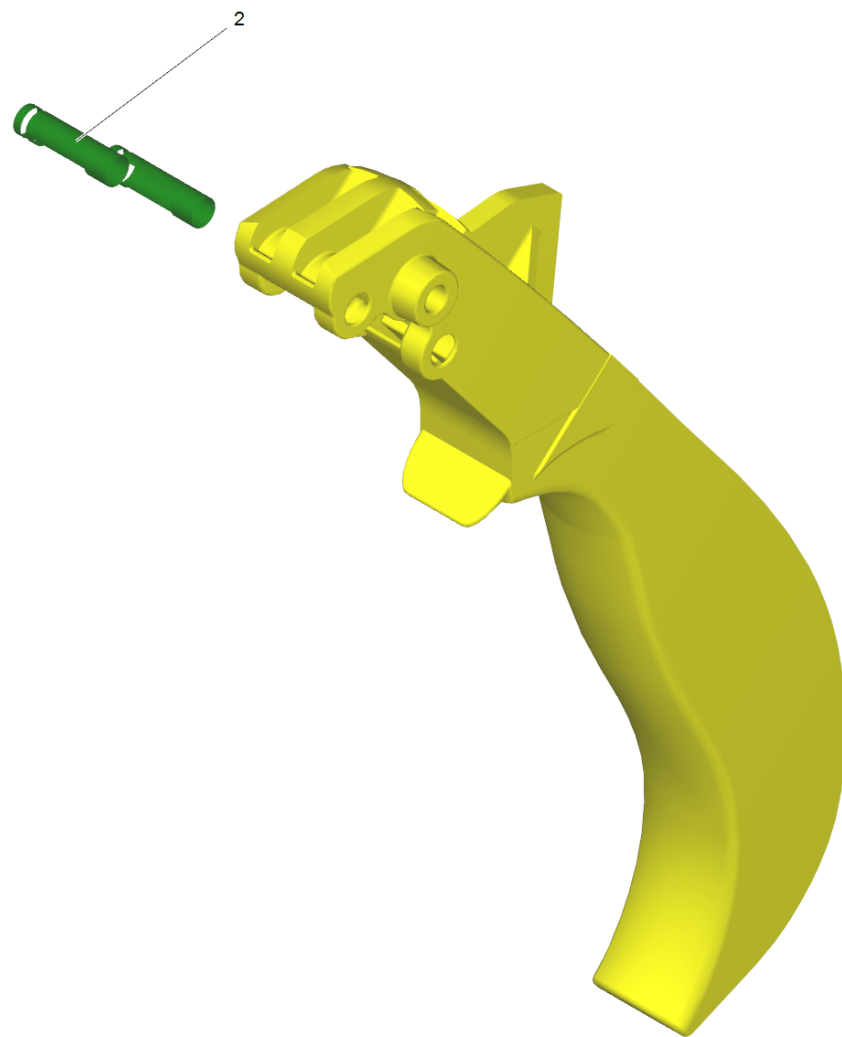
41 Hand trigger gun

POS	Article no.	Description	Quantity	Unit
1	4.775-463.0	HAND TRIGGER GUN EASY PRESS	1.000	ST
2	7.303-096.0	Screw 4x22 -ST-10.9-R2R (IN6RD)	7.000	ST
3	5.481-331.0	Slider	1.000	ST
4	4.481-209.0	Lever complete	1.000	ST
5	5.321-669.0	Handhold few	1.000	ST
6	4.427-215.0	Manifold complete only for replacement	1.000	ST
7	4.037-013.0	Hook	1.000	ST
8	5.110-596.0	Sleeve	1.000	ST



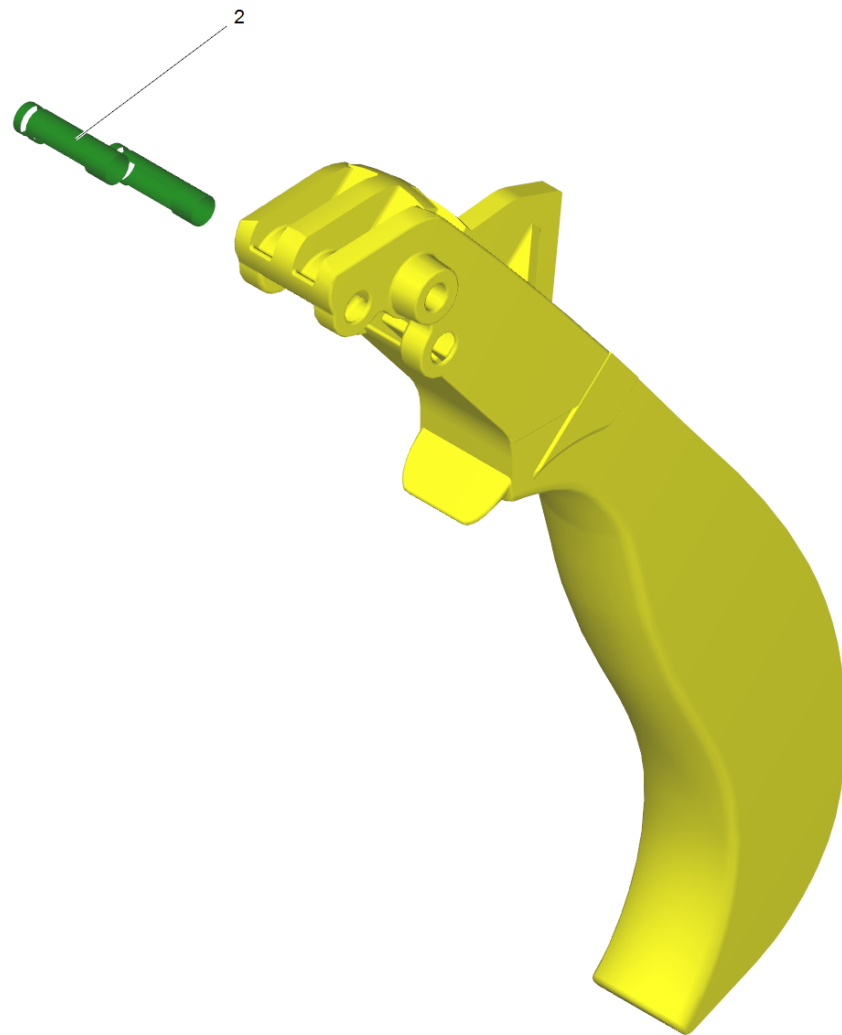
1 HAND TRIGGER GUN EASY PRESS (4.775-463.0)

POS	Article no.	Description	Quantity	Unit
2	4.037-013.0	Hook	1.000	ST
3	6.368-012.0	Protecting cap 22X1,5	1.000	ST
4	6.869-075.0	Metal bonding agent 1 ml	1.000	ST
25	5.110-596.0	Sleeve	1.000	ST
32	5.321-669.3	Handhold few	1.000	ST
34	5.481-331.0	Slider	1.000	ST
45	7.303-096.0	Screw 4x22 -ST-10.9-R2R (IN6RD)	7.000	ST
1041	6.288-044.0	Silicon grease 100 G	1.000	ST
9001	4.427-215.0	Manifold complete only for replacement	1.000	ST
9002	4.481-209.0	Lever complete	1.000	ST



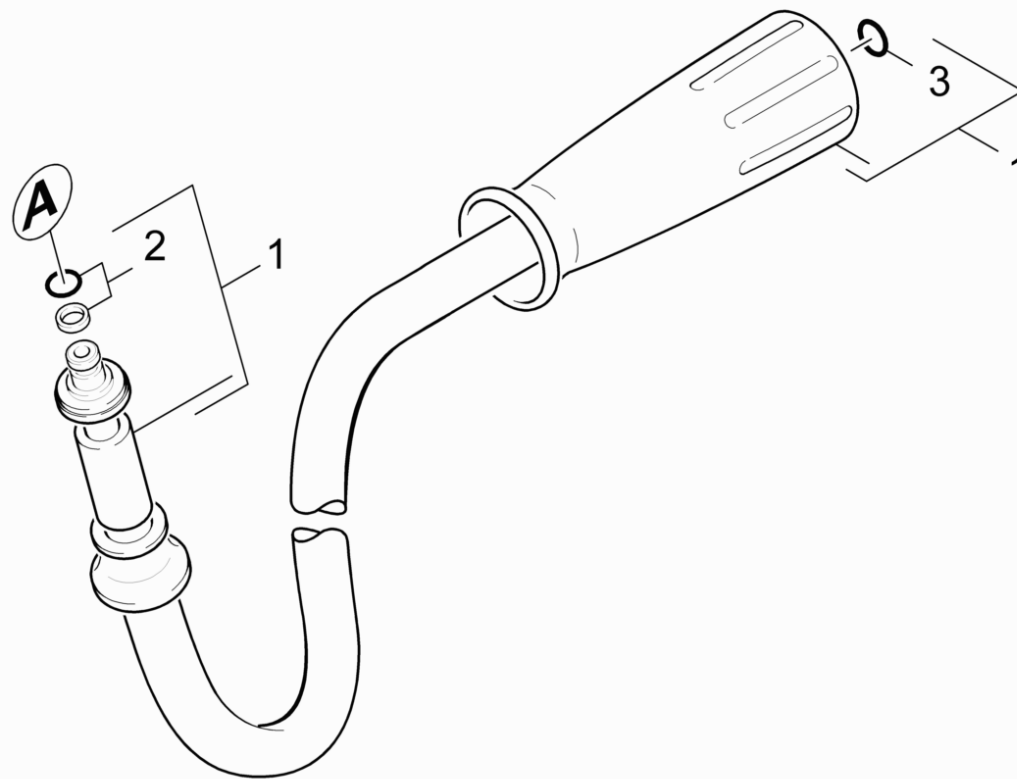
9002 Lever complete (4.481-209.0)

POS	Article no.	Description	Quantity	Unit
2	5.314-119.0	Pin	2.000	ST



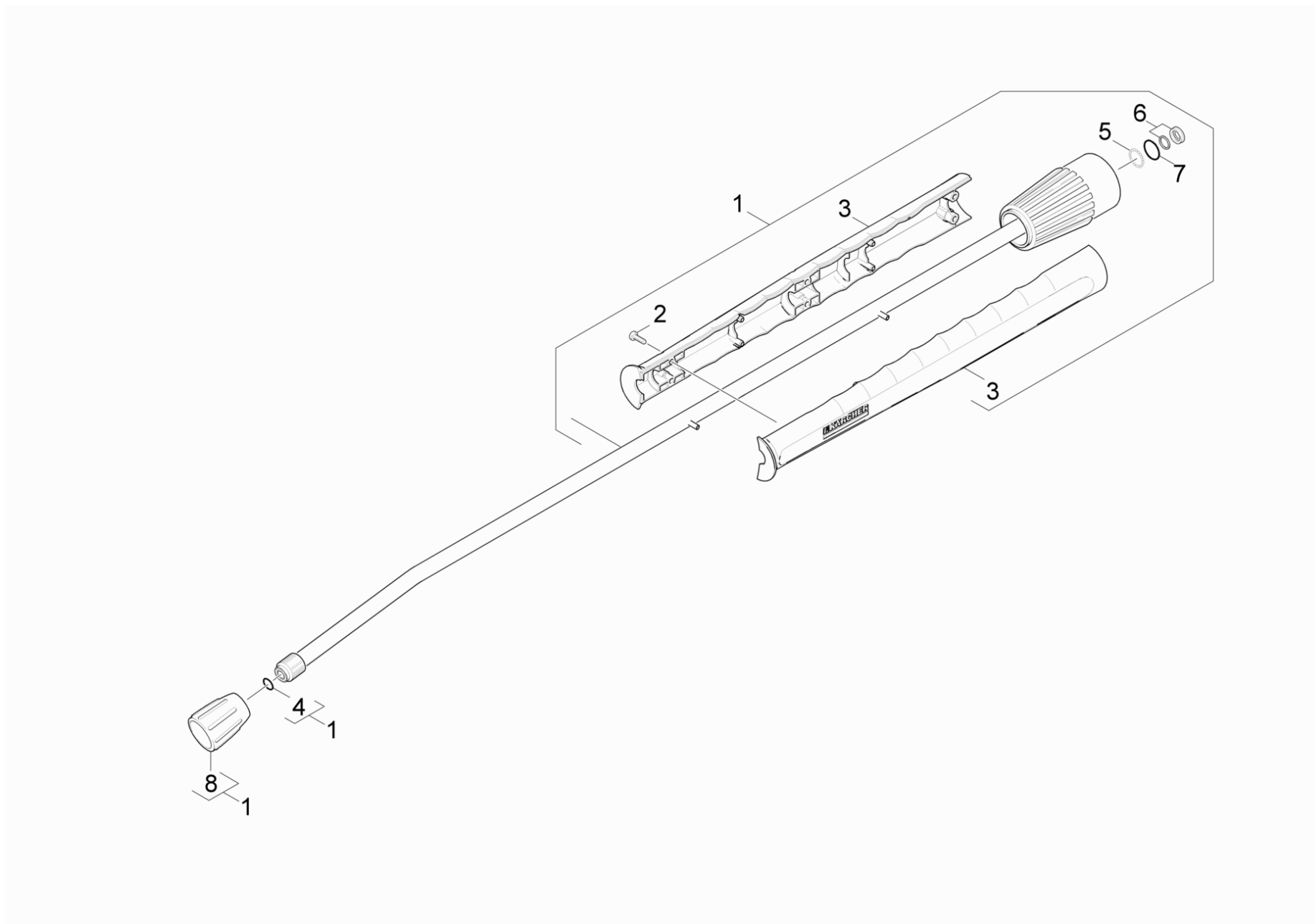
4 Lever complete (4.481-209.0)

POS	Article no.	Description	Quantity	Unit
2	5.314-119.0	Pin	2.000	ST



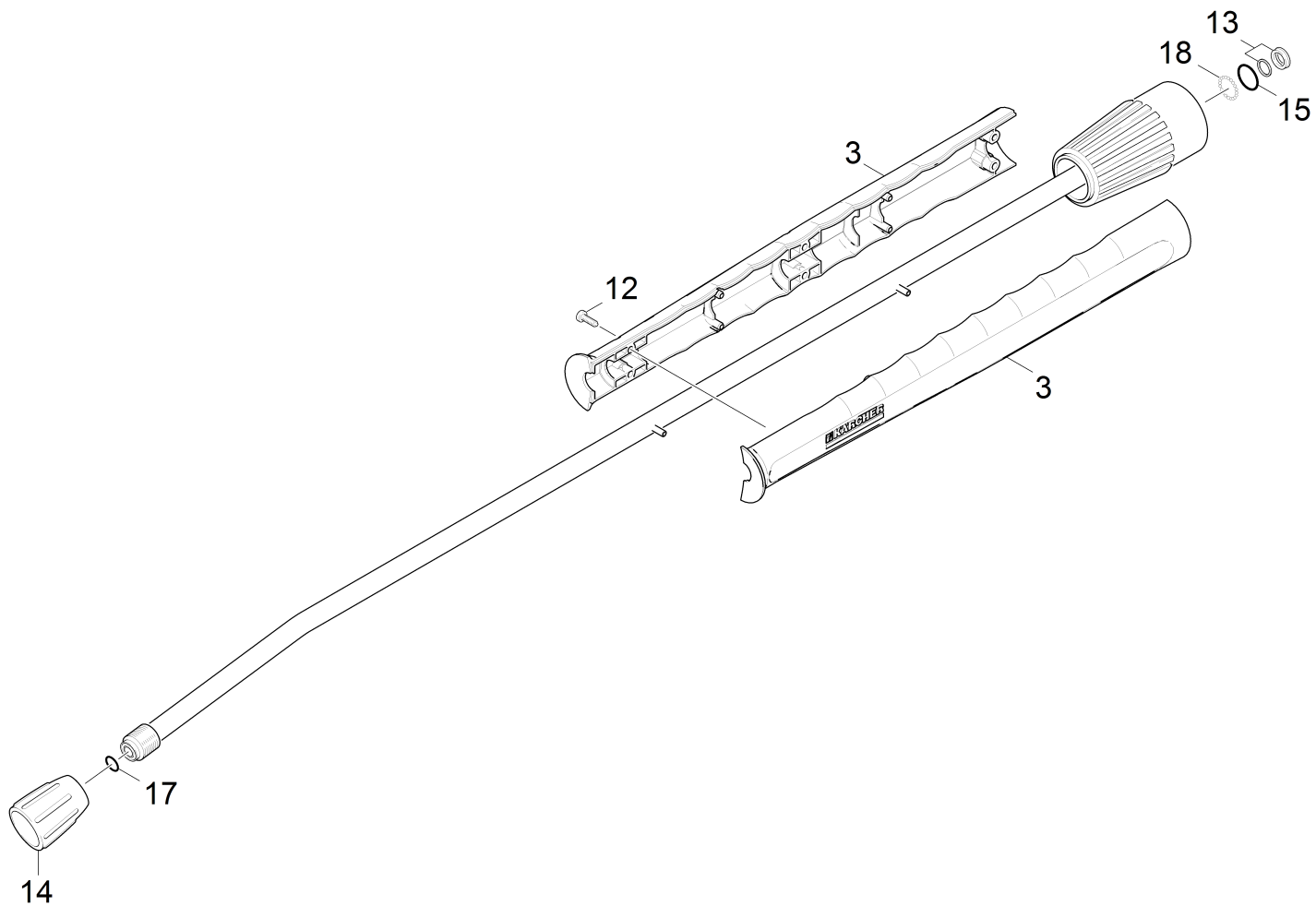
42 High pressure hose

POS	Article no.	Description	Quantity	Unit
1	6.390-025.0	Hose assembly DN8 max.31,5MPa 10m	1.000	ST
2	4.363-691.0	O-Ring seal kpl. -nur fuer Ersatz-	1.000	ST
3	2.880-990.0	Spare part set O-Ring 5x -Kaercher	1.000	ST



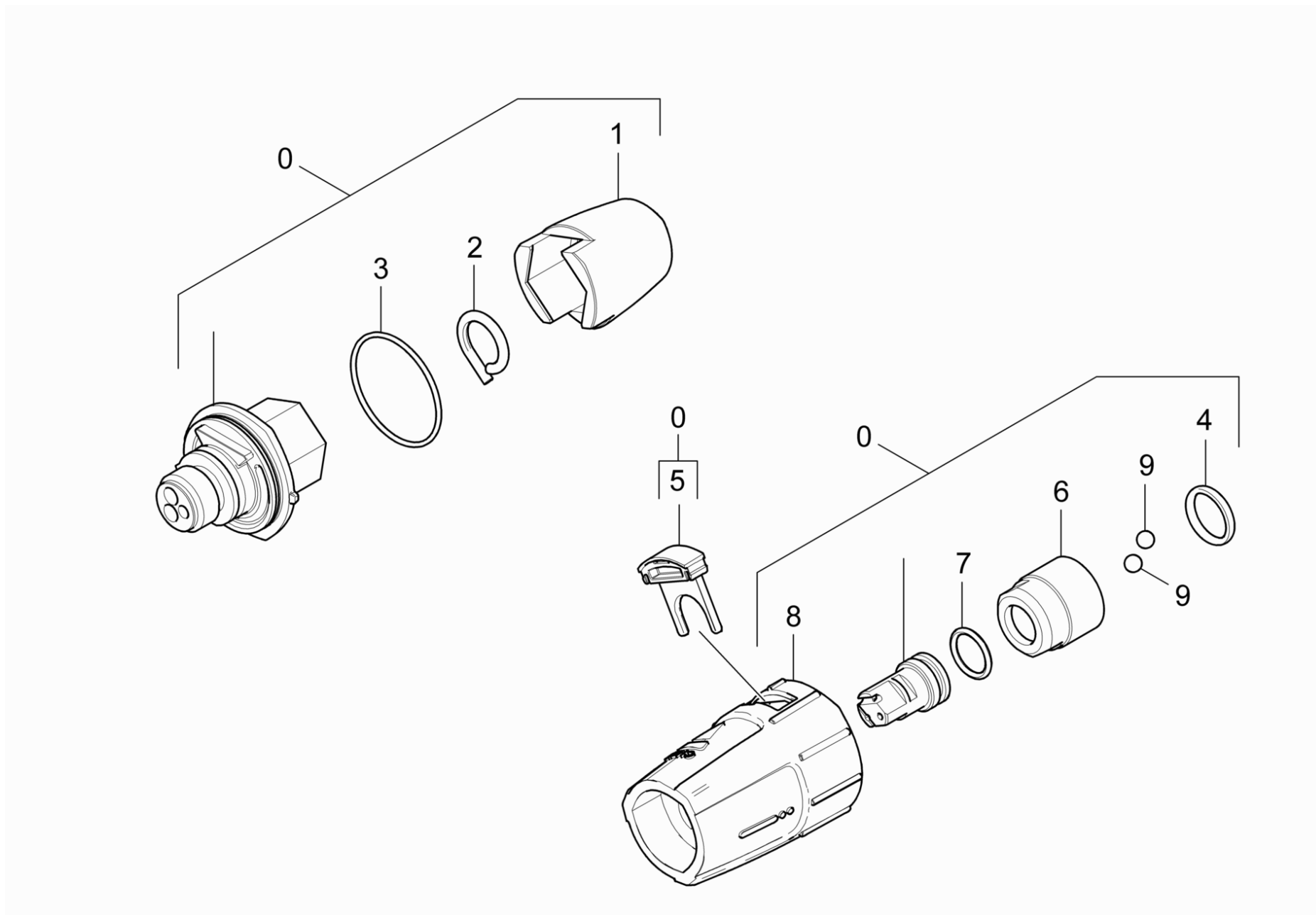
43 Jet pipe

POS	Article no.	Description	Quantity	Unit
1	4.760-663.0	Jet pipe packaged only for replacement	1.000	ST
2	7.303-129.0	Screw 4x16 -10.9-R2R (K-In6Rd)	6.000	ST
3	5.321-855.0	Handhold few jet pipe with welding bolt	1.000	ST
4	2.880-990.0	Spare part set O-Ring 5x -Kaercher	1.000	ST
5	7.401-915.0	Sphere 2,5 G20 -1.4034 DIN 5401	20.000	ST
6	4.363-692.0	Grooved ring kpl. -nur fuer Ersatz-	1.000	ST
7	6.362-524.0	O-Ring seal 17,0 X 1,5	1.000	ST
8	5.401-210.0	Screw connector part	1.000	ST



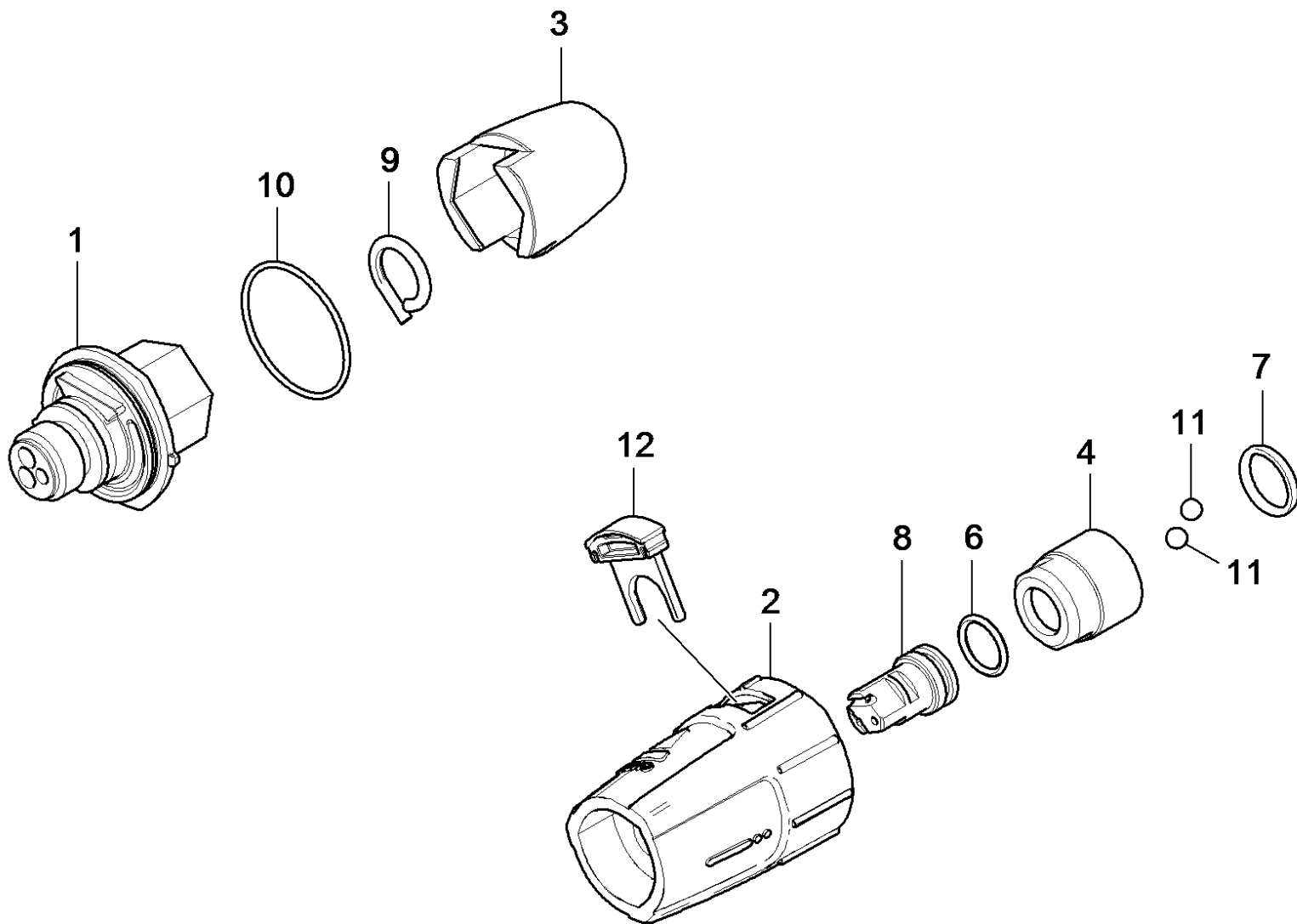
1 Jet pipe packaged only for replacement (4.760-663.0)

POS	Article no.	Description	Quantity	Unit
3	5.321-855.0	Handhold few jet pipe with welding bolt	1.000	ST
12	7.303-129.0	Screw 4x16 -10.9-R2R (K-In6Rd)	6.000	ST
13	4.363-692.0	Grooved ring kpl. -nur fuer Ersatz-	1.000	ST
14	5.401-210.0	Screw connector part	1.000	ST
15	6.362-524.0	O-Ring seal 17,0 X 1,5	1.000	ST
17	7.362-501.0	O-Ring seal 10x2 EPDM 70 DIN 3770	1.000	ST
18	7.401-915.0	Sphere 2,5 G20 -1.4034 DIN 5401	20.000	ST



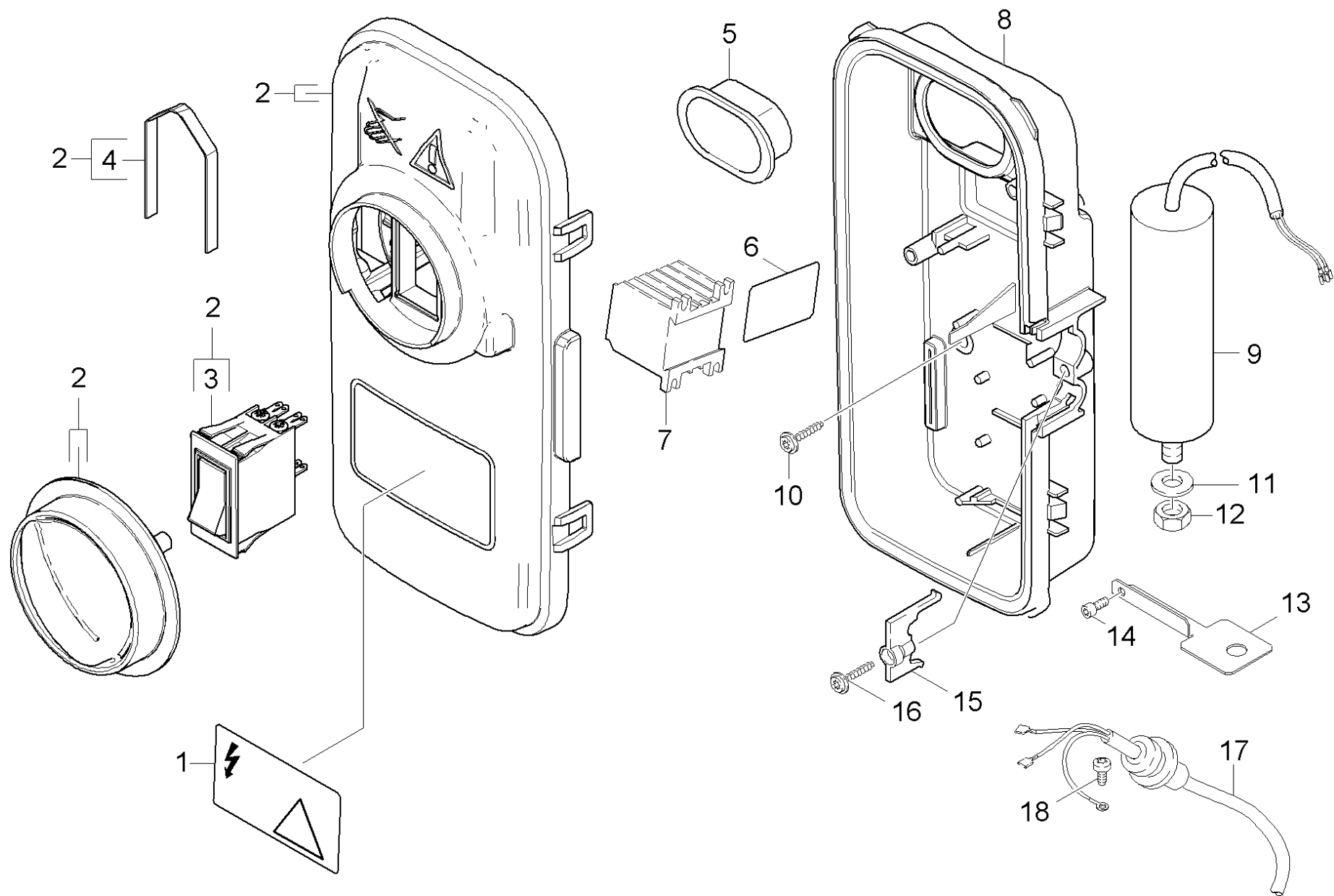
44 Triple jet nozzle

POS	Article no.	Description	Quantity	Unit
0	4.767-152.0	Triple jet nozzle only for replacement 0	1.000	ST
1	5.394-530.0	Protection part complete	1.000	ST
2	6.343-150.0	Pin 03	1.000	ST
3	6.362-409.0	O-Ring seal 32,0 X 1,5	1.000	ST
4	6.362-460.0	O-Ring seal 14,0 X 2,5-NBR 70	1.000	ST
5	5.321-884.0	Clamp	1.000	ST
6	5.311-225.0	Nut	1.000	ST
7	6.362-480.0	O-Ring seal 12,42x 1,78	1.000	ST
8	5.394-859.0	Protection part	1.000	ST
9	7.401-902.0	Sphere 5 G20 -1.4034 DIN 5401	2.000	ST



Triple jet nozzle only for replacement 0 (4.767-152.0)

POS	Article no.	Description	Quantity	Unit
1		Distributor	1.000	ST
2	5.394-859.0	Protection part	1.000	ST
3	5.394-530.0	Protection part complete	1.000	ST
4	5.311-225.0	Nut	1.000	ST
6	6.362-480.0	O-Ring seal 12,42x 1,78	1.000	ST
7	6.362-460.0	O-Ring seal 14,0 X 2,5-NBR 70	1.000	ST
8	5.415-605.0	Triple jet nozzle 043	1.000	ST
9	6.343-150.0	Pin 03	1.000	ST
10	6.362-409.0	O-Ring seal 32,0 X 1,5	1.000	ST
11	7.401-902.0	Sphere 5 G20 -1.4034 DIN 5401	2.000	ST
12	5.321-884.0	Clamp	1.000	ST



50 Electric box

POS	Article no.	Description	Quantity	Unit
1	5.388-512.0	Label	1.000	ST
2	4.744-009.0	Switch complete only for replacement	1.000	ST
3	6.632-412.0	Switch 14 A	1.000	ST
4	5.263-085.0	Tensioning part	1.000	ST
5	5.365-181.0	Profile gasket	1.000	ST
6	5.048-251.0	Plate	1.000	ST
7	6.632-421.0	Contacteur 7,5 kW / 220 V	1.000	ST
8	5.061-598.0	Housing electric control box	1.000	ST
9	6.661-254.0	Capacitor 80 µF	1.000	ST
10	6.303-153.0	Screw M5x15-ST-R2R (IN6RD)	3.000	ST
11	7.312-054.0	Washer 12-A2 ISO 7090	1.000	ST
12	7.311-071.0	Hexagon nut M12-A2-70 ISO 4032	1.000	ST
13	5.043-069.0	Holder for capacitor	1.000	ST
14	7.303-037.0	Screw M5x10 -St-P2R (In6Rd)	1.000	ST
15	5.263-002.0	Tensioning part	1.000	ST
16	6.303-200.0	Screw 5x25-IN6RD	1.000	ST
17	6.650-274.0	Cable with plug GFCI	1.000	ST
18	7.303-031.0	Screw M4x10 -St-P2R (In6Rd)	1.000	ST