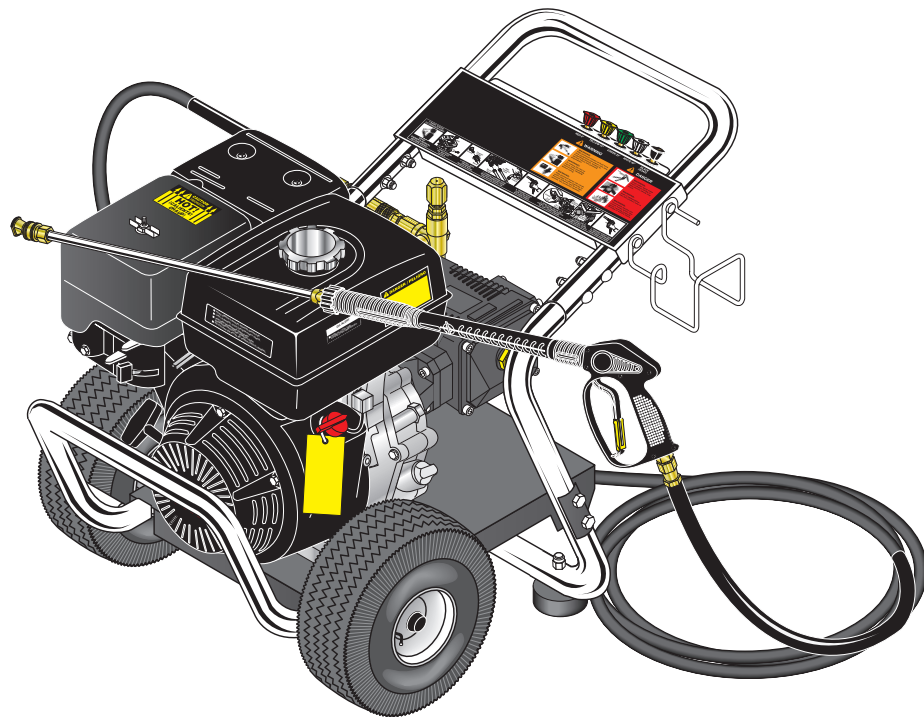




KÄRCHER

OPERATOR'S MANUAL



MODEL HD 2.3/24 P - 1.575-100.0

MODEL HD 2.5/27 P - 1.575-101.0

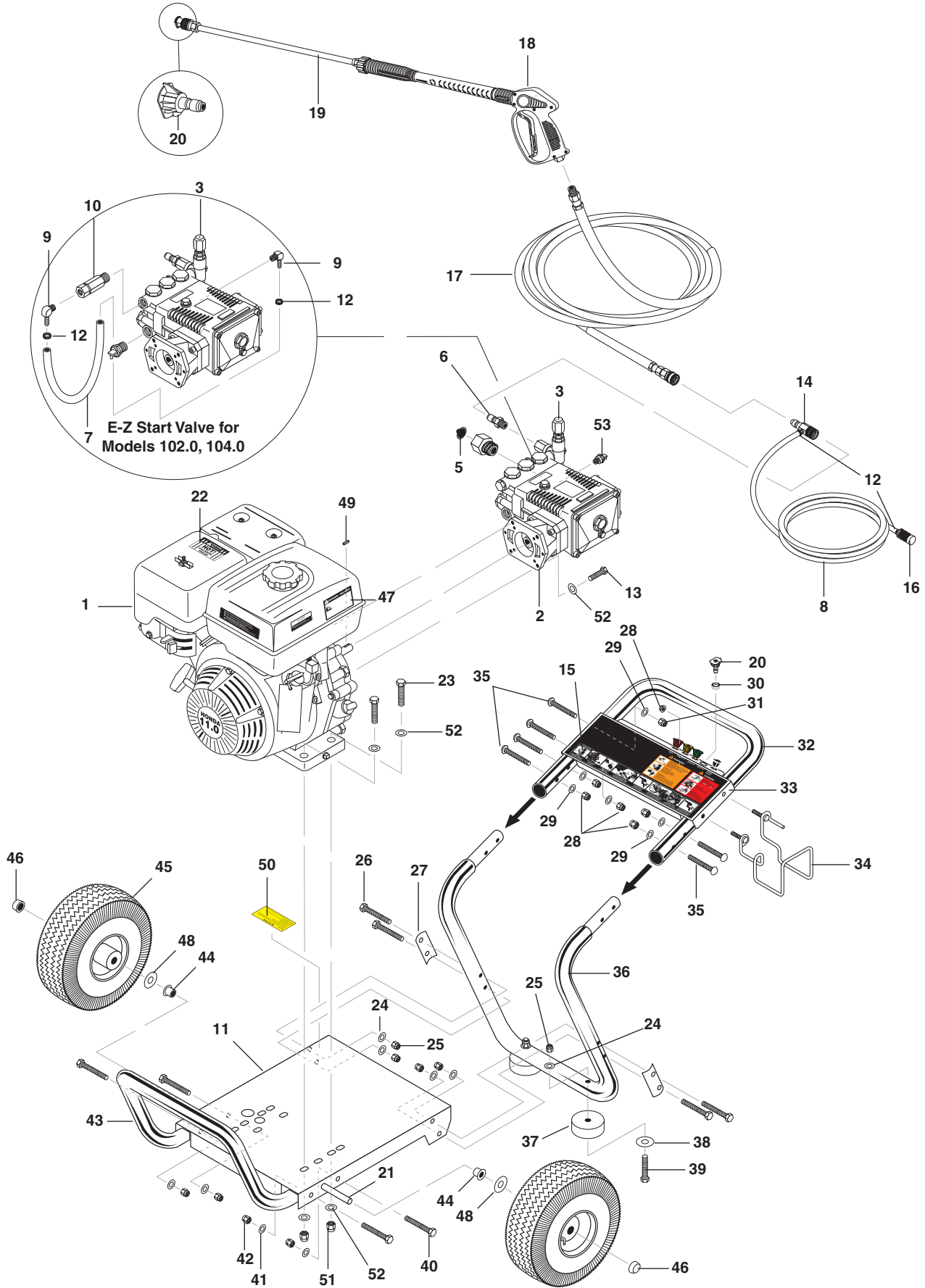
MODEL HD 3.0/30 P - 1.575-102.0

MODEL HD 3.8/35 P - 1.575-104.0

To locate your local Kärcher Commercial Pressure Washer Dealer nearest you,
please call 1-888-805-9852 or visit www.karchercommercial.us

9.800-082.0

EXPLODED VIEW



EXPLODED VIEW PARTS LIST

| ITEM | PART NO. | DESCRIPTION | QTY |
|------|-------------|--|--------|
| 1 | | Engine, See Specifications Page 17 | |
| 2 | | Pump, See Specifications Page 17 | |
| 3 | | Unloader, See Specifications Page 17 | |
| 4 | 9.804-025.0 | Pump Protector, 1/4" 145° (100.0, 101.0) | 1 |
| 5 | 9.802-146.0 | Swivel, 1/2" MP x 3/4" GHF | 1 |
| 6 | 9.802-171.0 | Nipple, 3/8" x 3/8" MPT Male (100.0-101.0, 102.0-104.0) | 1 |
| 7 | 9.802-254.0 | Hose, 1/4" Push-on (102.0, 104.0) | 14" |
| 8 | 9.802-251.0 | Tube, 1/4" x 1/2" Clear Vinyl | 6 ft. |
| 9 | 9.802-142.0 | Hose, Barb, 1/4" Barb x 1/8" MP, 90° (102.0, 104.0) | 2 |
| 10 | 9.802-190.0 | Valve, E-Z Start, 3/8" MPT x 1/8" FPT (102.0, 104.0) | 1 |
| 11 | 9.803-125.0 | Base, CW Direct, Black | 1 |
| 12 | 9.802-210.0 | Clamp, Hose (100.0, 101.0) (102.0, 104.0) | 2 4 |
| 13 | 9.802-711.0 | Bolt, 5/16-24" x 1" NF, HH (100.0, 101.0) | 4 |
| | 9.802-722.0 | Bolt, 3/8" x 1-1/4" NC, HH (102.0, 104.0) | 4 |
| 14 | 9.802-216.0 | Injector, Chemical, Non-Adj. (Assy Part#) | 1 |
| 15 | 9.800-723.0 | Label, Instructions | 1 |
| 16 | 9.802-160.0 | Strainer, Plastic, 1/4" Hose Barb | 1 |
| 17 | | Hose, High Pressure, See Specifications Page 17 | |
| 18 | 9.802-223.0 | Spray Gun, SK2, 3/8" Inlet, Lance | 1 |
| 19 | 9.802-220.0 | Wand, 18" M22 x 1/4" QC | 1 |
| 20 | | Nozzle Size, See Page 17 For Proper Size | |
| | 9.802-287.0 | Nozzle, 3.0 0° Red (100.0, 101.0) | 1 |
| | 9.802-288.0 | Nozzle, 3.0 15° Yellow (100.0, 101.0) | 1 |
| | 9.802-289.0 | Nozzle, 3.0 25° Green (100.0, 101.0) | 1 |
| | 9.802-290.0 | Nozzle, 3.0 40° White (100.0, 101.0) | 1 |
| | 9.802-291.0 | Nozzle, 3.5 0° Red (102.0) | 1 |
| | 9.802-292.0 | Nozzle, 3.5 15° Yellow (102.0) | 1 |
| | 9.802-293.0 | Nozzle, 3.5 25° Green (102.0) | 1 |
| | 9.802-294.0 | Nozzle, 3.5 40° White (102.0) | 1 |
| | 9.802-295.0 | Nozzle, 4.0 0° Red (104.0) | 1 |
| | 9.802-296.0 | Nozzle, 4.0 15° Yellow (104.0) | 1 |
| | 9.802-297.0 | Nozzle, 4.0 25° Green (104.0) | 1 |
| | 9.802-298.0 | Nozzle, 4.0 40° White (104.0) | 1 |
| | 9.802-311.0 | Nozzle, Compl, QCCEM-6540, Brass | 1 |
| 21 | 9.803-097.0 | Axle, 5/8" x 19.625" Long | 1 |
| 22 | 9.800-006.0 | Label, HOT | 1 |
| 23 | 9.802-713.0 | Bolt, 5/16" x 1-1/2", NC HH (100.0, 101.0) | 4 |
| | 9.802-727.0 | Bolt, 3/8" x 1-3/4" Tap (102.0, 104.0) | 4 |
| 24 | 9.802-807.0 | Washer, 3/8" SAE, Flat | 6 |
| 25 | 9.802-779.0 | Nut, 3/8" ESNA, NC | 6 |
| 26 | 9.802-728.0 | Bolt, 3/8" x 2" NC, HH | 4 |
| 27 | 9.803-114.0 | Retainer Bracket, Handle, Black | 2 |
| 28 | 9.802-773.0 | Nut, 1/4" ESNA, NC | 6 |
| ITEM | PART NO. | DESCRIPTION | QTY |

EXPLODED VIEW PARTS LIST CONT.

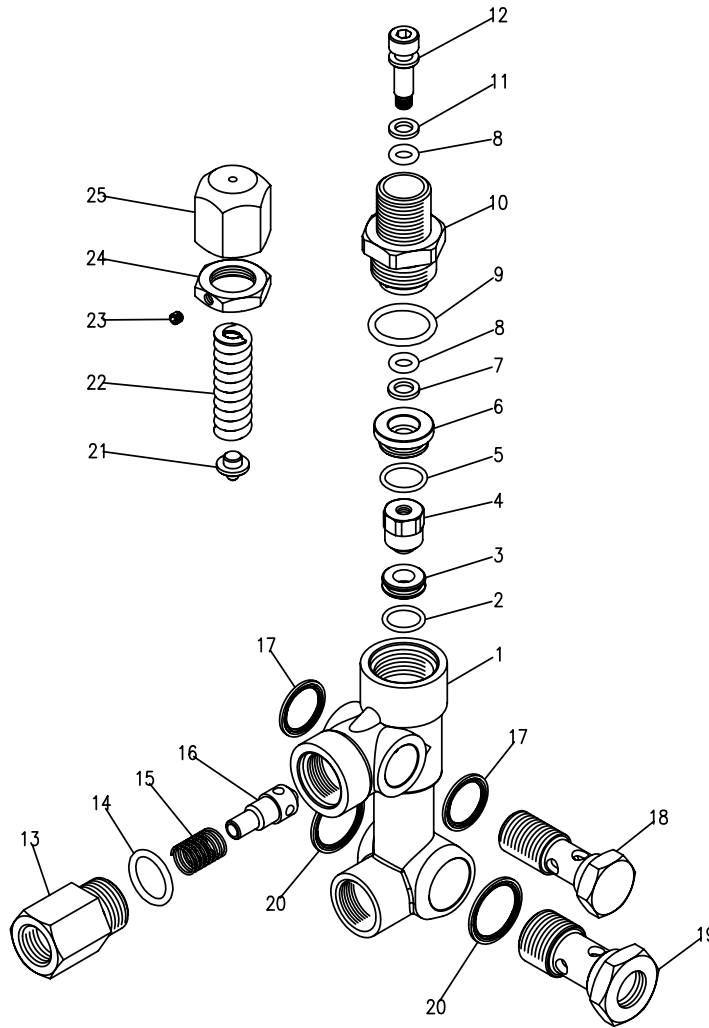
| | | | |
|----|-------------|---|----|
| 29 | 9.802-802.0 | Washer, 1/4" Flat | 6 |
| 30 | 9.802-064.0 | Grommet, Rubber, Nozzle Holder | 5 |
| 31 | 9.802-778.0 | Nut, 5/16" Flange, Whiz Loc | 2 |
| 32 | 9.803-122.0 | Handle, Grab, Chrome | 1 |
| 33 | 9.803-126.0 | Plate, Warning, Black | 1 |
| 34 | 9.803-098.0 | Hanger, Hose/Wand | 1 |
| 35 | 9.802-706.0 | Bolt, 1/4"-20 x 1-3/4", Carriage, Zinc | 6 |
| 36 | 9.803-119.0 | Handle, Lower Grab, Chrome | 1 |
| 37 | 9.802-066.0 | Pad, Soft Rubber | 2 |
| 38 | 9.802-817.0 | Washer, 3/8" x 1" Steel | 2 |
| 39 | 9.802-729.0 | Bolt, 3/8" x 2-1/4" HH, Grd. 5 | 2 |
| 40 | 9.802-712.0 | Bolt, Carriage, 5/16" x 1-3/4" | 4 |
| 41 | 9.802-804.0 | Washer, 5/16" Flat | 4 |
| 42 | 9.802-776.0 | Nut, 5/16" ESNA, NC | 4 |
| 43 | 9.803-123.0 | Handle, Bumper, Chrome | 1 |
| 44 | 9.802-103.0 | Bushing, 5/8" Snap | 2 |
| 45 | 9.802-270.0 | Wheel & Tire Assy, 4" Steel Rim w/Tube | 2 |
| 46 | 9.802-783.0 | Cap, 5/8" Axle Hub, Black | 2 |
| 47 | 9.800-008.0 | Label, Cool Engine Before Filling | 1 |
| 48 | 9.802-810.0 | Washer, 3/8" Flat | 2 |
| 49 | 9.802-958.0 | Key, .185 Sqr. x 1.75" (100.0, 101.0) | 1 |
| | 9.802-959.0 | Key, .247 Sqr. x 2.125 (102.0, 104.0) | 1 |
| 50 | 9.800-049.0 | Label, Manufacturer's Cleaning Solution | 1 |
| 51 | 9.802-776.0 | Nut, 5/16" ESNA, NC (100.0, 101.0) | 4 |
| | 9.802-779.0 | Nut, 3/8" ESNA, NC (102.0, 104.0) | 4 |
| 52 | 9.802-804.0 | Washer, 5/16" Flat (100.0, 101.0) | 12 |
| | 9.802-807.0 | Washer, 3/8" Flat, (102.0, 104.0) | 12 |
| 53 | 9.802-182.0 | Pump Protector, 1/2" PTP | 1 |

SPECIFICATIONS

| Machine Model | Pressure (PSI) | Nozzle Size | Hose Part # | Pump Model | Pump Part # | Unloader Part # | Engine Hp | Engine Part # | |
|---------------|----------------|-------------|-------------|-------------|-------------|-----------------|-------------|---------------|-------------|
| 1.575-100.0 | 2.3 | 2400 | 3.0 | 9.802-233.0 | KG2530G | 9.803-822.0 | 9.803-899.0 | 5.5 | 9.802-316.0 |
| 1.575-100.0 | 2.3 | 2400 | 3.0 | 4-0203050C | KG2530G | 5-1150 | 5-3329 | 5.5 | 5-0104 |
| 1.575-101.0 | 2.5 | 2700 | 3.0 | 9.802-233.0 | KG2530G | 9.803-822.0 | 9.803-899.0 | 6.5 | 9.802-317.0 |
| 1.575-101.0 | 2.5 | 2700 | 3.0 | 4-0203050C | KG2530G | 5-1150 | 5-3329 | 6.5 | 5-01041 |
| 1.575-102.0 | 3.0 | 3000 | 3.5 | 9.802-233.0 | KS3040G | 9.802-348.0 | 9.802-363.0 | 9 | 9.802-315.0 |
| 1.575-102.0 | 3.0 | 3000 | 3.5 | 4-0203050C | KS3040G | 5-1160 | 5-3029 | 9 | 5-0102 |
| 1.575-104.0 | 3.8 | 3500 | 4.0 | 9.802-250.0 | KS4040G | 9.802-350.0 | 9.802-363.0 | 13 | 9.802-322.0 |
| 1.575-104.0 | 3.8 | 3500 | 4.0 | 4-020750C | KS4040G | 5-1162 | 5-3029 | 13 | 5-010721 |

VBA35 UNLOADER EXPLODED VIEW

5-3329 Unloader, 25 lpm @ 240 BAR, Fits with KG2530 Pump

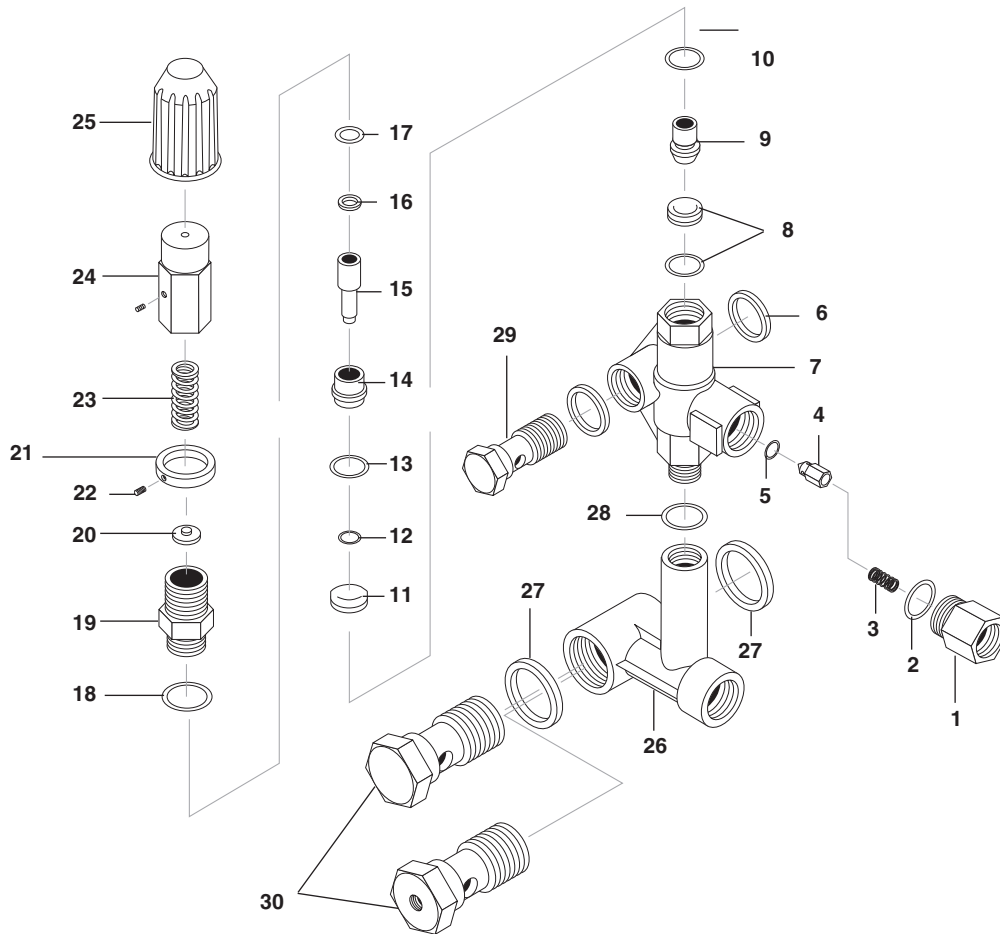


VBA35 UNLOADER EXPLODED VIEW PARTS LIST

| ITEM | PART # | DESCRIPTION | KIT | QTY | ITEM | PART # | DESCRIPTION | KIT | QTY |
|------|-------------|-------------------|------|-----|--------------|-------------|------------------------------|-----|-----|
| 1 | 9.803-902.0 | Body Valve (KG) | | 1 | 15 | 9.803-916.0 | Spring | B | 1 |
| | 9.803-901.0 | Body Valve (KS) | | 1 | 16 | 9.803-917.0 | Poppet | B | 1 |
| 2 | 9.803-903.0 | O-Ring | A, C | 1 | 17 | 9.802-893.0 | Seal Washer 3/8 | | 2 |
| 3 | 9.803-904.0 | Seat | C | 1 | 18 | 9.803-920.0 | Banjo Bolt, 3/8 w/ 1/8 Pilot | | 1 |
| 4 | 9.803-905.0 | Ball, Sub-assy | C | 1 | 19 | 9.803-915.0 | Banjo Bolt 1/2 | | 1 |
| 5 | 9.803-906.0 | O-Ring | A | 1 | 20 | 9.803-921.0 | Seal Washer 1/2 | | 2 |
| 6 | 9.803-907.0 | Guide Bushing | | 1 | 21 | 9.803-922.0 | Plate | C | 1 |
| 7 | 9.803-908.0 | Teflon Ring | A | 1 | 22 | 9.803-923.0 | Spring | C | 1 |
| 8 | 9.803-909.0 | O-Ring | A | 2 | 23 | 9.803-924.0 | Set Screw | | 1 |
| 9 | 9.803-910.0 | O-Ring | A | 1 | 24 | 9.803-925.0 | Nut | | 1 |
| 10 | 9.803-911.0 | Connector | | 1 | 25 | 9.803-926.0 | Brass Handle | | 1 |
| 11 | 9.803-912.0 | Teflon Ring | A | 1 | | | | | |
| 12 | 9.803-913.0 | Stem | C | 1 | Kit A | 9.803-927.0 | O-Ring Repair Kit | | |
| 13 | 9.803-914.0 | Connector, Female | | 1 | Kit B | 9.803-928.0 | Outlet Kit | | |
| 14 | 9.803-191.0 | O-Ring | A, B | 1 | Kit C | 9.803-929.0 | Stem Repair Kit | | |

VB55 UNLOADER VALVE EXPLODED VIEW

5-3029 Unloader, PA 8 gpm @ 3650 psi, Fits with KS4040G & KS3040G Pump



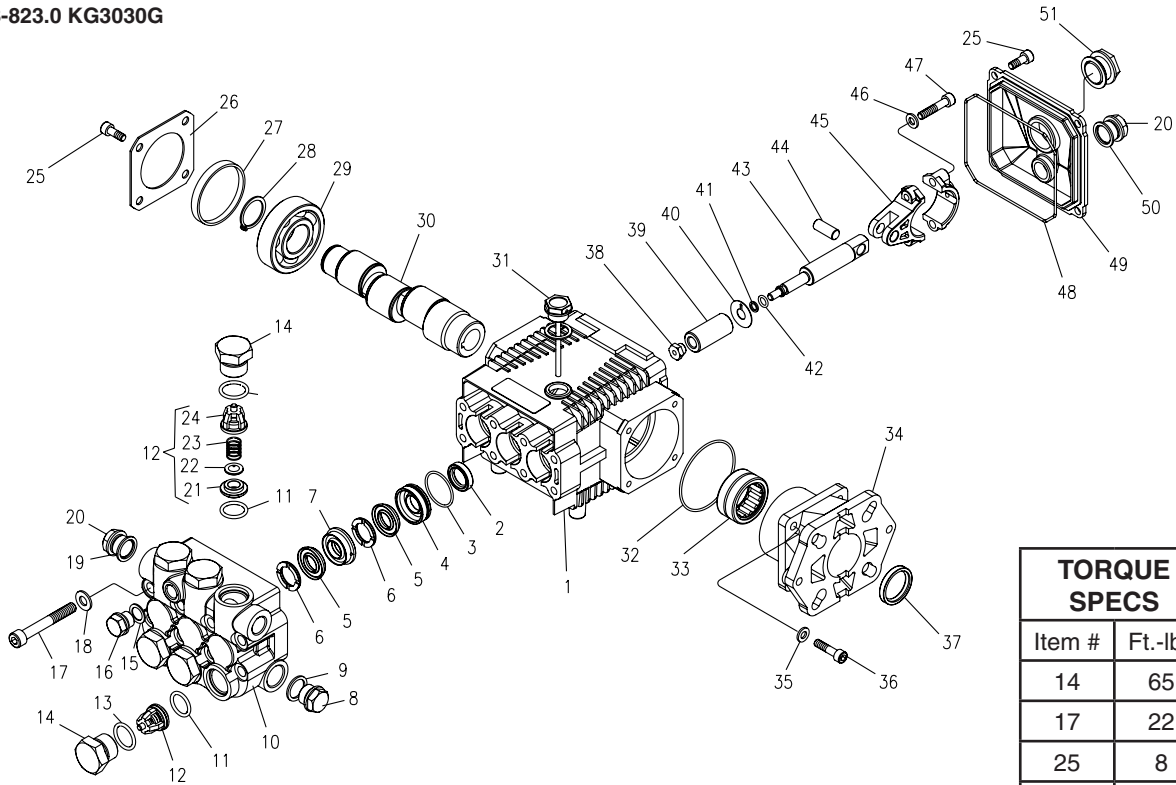
VB55 UNLOADER VALVE EXPLODED VIEW PARTS LIST

| ITEM | PART # | DESCRIPTION | QTY | ITEM | PART # | DESCRIPTION | QTY |
|------|-------------|---|-----|------|-------------|---|-----|
| 1 | 1-60005831 | Delivery Coupl. 3/8F BSP Brass | 1 | 16 | 1-10401113* | Back-up Ring, 11 x13 x 2mm | 1 |
| 2 | 1-10307002* | O-Ring, 1.78 x 18.77 mm Ni 85 | 1 | 17 | 1-10306000* | O-Ring, 1.78x12.42 mm | 1 |
| 3 | 1-60005351 | Spring, 0.7x9x20 mm Sst | 1 | 18 | 1-10306801* | O-Ring, 1.78x17.17 mm Ni85 | 1 |
| 4 | 1-60005231 | Shutter Pin, Brass | 1 | 19 | 1-60130831 | Piston Holder, Brass | 1 |
| 5 | 1-10321300* | O-Ring, 3 x 6 mm | 1 | 20 | 1-60131331 | Spring Guide Pin | 1 |
| 6 | 1-14410000 | Sealing Washer, 3/8 Bsp | 2 | 21 | 1-16210000 | Set Screw, DIN914 M4x4mm | 1 |
| 7 | 1-60135135 | Valve Housing, VB55, Brass | 1 | 22 | 1-60131231 | Ring Nut, M20x1 Brass | 1 |
| 8 | 1-60130620* | Seat, 8mm + O-Ring, 1.78mm NBR85 | 1 | 23 | 1-60131561 | Spring, 3.4x13.8x48 mm z.pl | 1 |
| 9 | 1-60131121* | Shutter Pin, M6 Brass + Ball, 13/32" Sst | 1 | 24 | 1-60130431 | Valve, Regulating Insert, Brass | 1 |
| 10 | 1-10306401* | O-Ring, 1.78x14 mm Ni85 | 1 | 25 | 1-60120284 | Valve, Regulating Knob, PA Black | 1 |
| 11 | 1-60130131 | Spacer Ring, 7x18x7.5 mm Brass | 1 | 26 | 1-60135235 | Manifold, 1/2F Bsp, Brass (5-3025) | 1 |
| 12 | 1-10400792* | Back-up Ring 7x9x2 mm | 1 | | 1-60137635 | Manifold, 1/2F Bsp-3/8F Brass (5-3029) | 1 |
| 13 | 1-10305600* | O-Ring, 1.78x8.74 mm | 1 | 27 | 1-14410100 | Sealing Washer, 1/2 Bsp | 2 |
| 14 | 1-60130331 | Spacer Ring, 7.3x18.5x12.7 mm Brass | 1 | 28 | 1-10317510 | O-Ring, 2.62x10.77 mm Vi 70 | 1 |
| 15 | 1-60130751 | Piston, M6 Sst | 1 | 29 | 1-60100731 | Banjo Bolt, 3/8 M Bsp | 1 |
| | | | | 30 | 1-60100831 | Banjo Bolt, 1/2 M Bsp | 1 |
| | | | | | 1-60077331 | Banjo Bolt, 1/2 MBsp w/1/8" NPT Pilot | 1 |

* Kit 1-60131624 Repair Kit (K1)

KG PUMP EXPLODED VIEW

9.803-822.0 KG2530G
9.803-823.0 KG3030G



| TORQUE SPECS | |
|--------------|---------|
| Item # | Ft.-lbs |
| 14 | 65 |
| 17 | 22 |
| 25 | 8 |
| 36 | 8 |
| 38 | 9 |
| 47 | 13 |

KG PUMP EXPLODED VIEW PARTS LIST

| ITEM | PART NO. | DESCRIPTION | QTY | ITEM | PART NO. | DESCRIPTION | QTY |
|------|---------------|------------------------|-----|------|-----------|-----------------------|-----|
| 1 | 70-020292 | Crankcase | 1 | 18 | 70-140001 | Washer | 8 |
| 2* | See Kit Below | Plunger Oil Seal | 3 | 19 | 70-060306 | Copper Washer 3/8" | 1 |
| 3* | 70-060181 | O-Ring Ø1.78 x 28.30 | 3 | 20 | 70-160117 | Brass Plug 3/8" | 2 |
| 4* | 70-120120 | Pressure Ring, 15mm | 3 | 25 | 70-180112 | Hexagonal Screw | 9 |
| 5* | See Kit Below | "V" Seal, 15mm | 6 | 26 | 70-020318 | Bearing Cover | 1 |
| 6* | 70-030048 | Support Ring 15mm | 6 | 27 | 70-020502 | Seal Bearing | 1 |
| 7* | 70-030049 | Intermediate Ring 15mm | 3 | 28 | 70-150003 | Snap Ring | 1 |
| 8 | 70-160120 | Brass Plug, 1/2" | 1 | 29 | 70-021300 | Ball Bearing | 1 |
| 9 | 70-060307 | Copper Washer 1/2" | 1 | 30 | 70-000498 | Crankshaft (2530G) | 1 |
| 10 | 70-160228 | Manifold Housing | 1 | | 70-000499 | Crankshaft (3030G) | 1 |
| 11* | 70-060155 | O-Ring Ø1.78 x 15.54 | 6 | 31 | 70-160012 | Oil Dip Stick | 1 |
| 12* | See Kit Below | Valve Assembly | 6 | 32 | 70-060183 | O-Ring 3.53 x 55.56 | 1 |
| 13* | 70-060122 | O-Ring Ø2.62 x 18.77 | 6 | 33 | 70-020011 | Needle Roller Bearing | 1 |
| 14 | 70-160147 | Valve Plug | 6 | 34 | 70-050096 | Engine Flange | 1 |
| 15 | 70-060308 | Washer, Copper | 1 | 35 | 70-140002 | Spring Washer | 4 |
| 16 | 70-160121 | Brass Plug G1/4 | 1 | 36 | 70-180126 | Flange Screw | 4 |
| 17 | 70-180118 | Manifold Stud Bolt | 8 | | | | |

KG PUMP EXPLODED VIEW PARTS LIST (CONT)

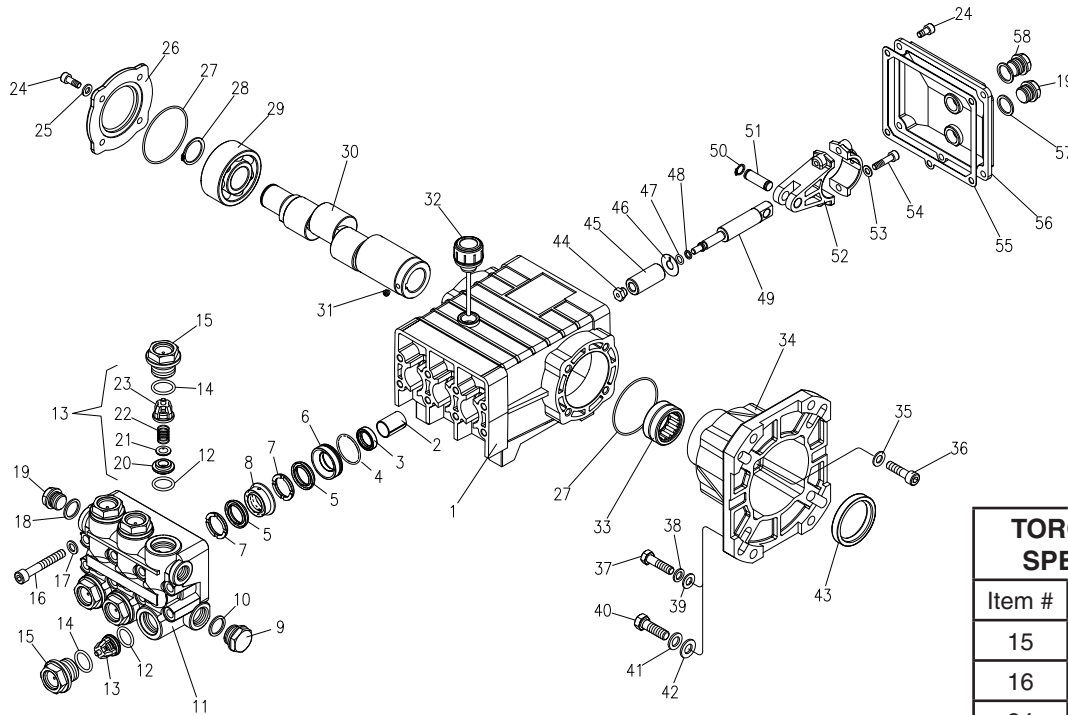
| ITEM | PART NO. | DESCRIPTION | QTY |
|------|---------------|----------------------|-----|
| 37 | 70-000105 | Crankshaft Seal | 1 |
| 38* | 70-030211 | Plunger Nut | 3 |
| 39* | See Kit Below | Plunger, 15mm | 3 |
| 40* | 70-140027 | Copper Spacer | 3 |
| 41* | 70-060130 | O-Ring Ø1.78x5.28 | 3 |
| 42* | 70-000913 | Teflon Ring | 3 |
| 43 | 70-000320 | Plunger Rod | 3 |
| 44 | 70-150204 | Connecting Rod Pin | 3 |
| 45 | 70-010008 | Connecting Rod | 3 |
| 46 | 70-140102 | Spring Washer | 6 |
| 47 | 70-180132 | Connecting Rod Screw | 6 |
| 48 | 70-060104 | O-Ring 2.62 x 107.62 | 1 |
| 49 | 70-020352 | Crankcase Cover | 1 |
| 50 | 70-060302 | Gasket, G3/8 | 1 |
| 51 | 70-070005 | Sightglass G3/8 | 1 |

* Part available in kit (See below)

| REPAIR KIT NUMBER | 70-261408 | 70-261409 | 70-261404 | 70-260028 | 70-260826 |
|--|----------------------|----------------------------------|-----------------------|----------------|----------------------|
| KIT DESCRIPTION | Plunger Seal 15mm | Complete Seal Packing 15mm | Plunger 15mm | Complete Valve | Plunger Oil Seals |
| ITEM NUMBERS INCLUDED | 3, 5, 6 | 2, 3, 4, 5, 6, 7 | 38, 39, 40, 41, 42 | 11, 12, 13 | 2 |
| NUMBER OF CYLINDERS KIT WILL SERVICE | 3 | 1 | 1 | 6 | 3 |

KS PUMP EXPLODED VIEW

9.802-348.0 KS3040G
9.802-350.0 KS4040G



| TORQUE SPECS | |
|--------------|---------|
| Item # | Ft.-lbs |
| 15 | 75 |
| 16 | 22 |
| 24 | 8 |
| 36 | 10 |
| 44 | 9 |
| 54 | 13 |

KS PUMP EXPLODED VIEW PARTS LIST

| ITEM | PART NO. | DESCRIPTION | QTY | ITEM | PART NO. | DESCRIPTION | QTY |
|------|---------------|----------------------|-----|------|-------------|-------------------------|-----|
| 1 | 9.802-746.0 | Crankcase | 1 | 24 | 9.802-939.0 | Hexagonal Screw | 9 |
| 2 | 9.803-196.0 | Plunger Guide | 3 | 25 | 9.803-210.0 | Washer | 4 |
| 3* | See Kit Below | Plunger Oil Seal | 3 | 26 | 9.803-184.0 | Closed Bearing Housing | 1 |
| 4* | 9.803-189.0 | O-Ring Ø1.78 x 31.47 | 3 | 27 | 9.803-192.0 | O-Ring Ø 1.78 x 60.05 | 2 |
| 5* | See Kit Below | "V" Seal , 15mm | 6 | 28 | 9.802-914.0 | Snap Ring | 1 |
| 6* | See Kit Below | Pressure Ring, 15mm | 3 | 29 | 9.803-168.0 | Double Row Ball Bearing | 1 |
| 7* | See Kit Below | Support Ring 15mm | 6 | 30 | 9.803-150.0 | Crankshaft (KS3040G) | 1 |
| 8* | See Kit Below | Intermed. Ring 15mm | 3 | | 9.803-152.0 | Crankshaft (KS4040G) | 1 |
| 9 | 9.802-926.0 | Brass Plug, 1/2" | 1 | 31 | 9.802-945.0 | Set Screw | 1 |
| 10 | 9.803-199.0 | Copper Washer 1/2" | 1 | 32 | 9.802-921.0 | Oil Dip Stick | 1 |
| 11 | 9.802-932.0 | Manifold Housing | 1 | 33 | 9.803-161.0 | Needle Roller Bearing | 1 |
| 12* | 9.803-191.0 | O-Ring Ø2.62 x 17.13 | 6 | 34 | 9.803-183.0 | Engine Flange | 1 |
| 13* | See Kit Below | Valve Assembly | 6 | 35 | 9.803-221.0 | Spring Washer | 4 |
| 14* | 9.803-191.0 | O-Ring Ø2.62 x 20.29 | 6 | 36 | 9.803-240.0 | Flange Screw | 4 |
| 15 | 9.802-928.0 | Valve Plug | 6 | 37 | 9.803-243.0 | Engine Screw, 5/16" | 4 |
| 16 | 9.802-938.0 | Manifold Stud Bolt | 8 | 38 | 9.803-215.0 | Washer | 4 |
| 17 | 9.802-884.0 | Washer | 8 | 39 | 9.802-889.0 | Spring Washer | 4 |
| 18 | 9.803-198.0 | Copper Washer 3/8" | 1 | | | | |
| 19 | 9.802-925.0 | Brass Plug 3/8" | 2 | | | | |

KS PUMP EXPLODED VIEW PARTS LIST

| ITEM | PART NO. | DESCRIPTION | QTY |
|------|---------------|----------------------|-----|
| 40 | 9.803-244.0 | Engine Screw 3/8" | 4 |
| 41 | 9.803-216.0 | Washer | 4 |
| 42 | 9.803-217.0 | Spring Washer | 4 |
| 43 | 9.803-142.0 | Crankshaft Seal | 1 |
| 44* | See Kit Below | Plunger Nut | 3 |
| 45* | See Kit Below | Plunger, 15mm | 3 |
| 46* | See Kit Below | Copper Spacer | 3 |
| 47* | See Kit Below | O-Ring Ø1.78x5.28 | 3 |
| 48* | 9.803-156.0 | Teflon Ring | 3 |
| 49 | 9.803-145.0 | Plunger Rod | 3 |
| 50 | 9.802-913.0 | Snap Ring | 6 |
| 51 | 9.802-916.0 | Connecting Rod Pin | 3 |
| 52 | 9.803-158.0 | Connecting Rod | 3 |
| 53 | 9.803-218.0 | Spring Washer | 6 |
| 54 | 9.803-238.0 | Connecting Rod Screw | 6 |
| 55 | 9.803-185.0 | Cover Gasket | 1 |
| 56 | 9.803-165.0 | Crankcase Cover | 1 |
| 57 | 9.803-197.0 | Gasket, G3/8 | 1 |
| 58 | 9.803-201.0 | Sight Glass, G3/8 | 1 |

* Part available in kit (See below)

| REPAIR KIT NUMBER | 9.802-622.0 | 9.802-623.0 | 9.802-621.0 | 9.802-603.0 | 9.802-609.0 |
|--|----------------------|----------------------------------|-----------------------|----------------|----------------------|
| KIT DESCRIPTION | Plunger Seal 15mm | Complete Seal Packing 15mm | Plunger 15mm | Complete Valve | Plunger Oil Seals |
| ITEM NUMBERS INCLUDED | 4, 5, 7 | 3, 4, 5, 6, 7, 8 | 44, 45, 46, 47, 48 | 12, 13, 14 | 3 |
| NUMBER OF CYLINDERS KIT WILL SERVICE | 3 | 1 | 1 | 6 | 3 |