



Spare parts list

(11070790) HD 3.6/40 CH
(11070790) RG-364037

2008 03

91393570

www.kaercher.com

EN

CONTENT LIST

1.0 Frame

2.0 Pump set

2.1 Cylinder head

2.2 Piston

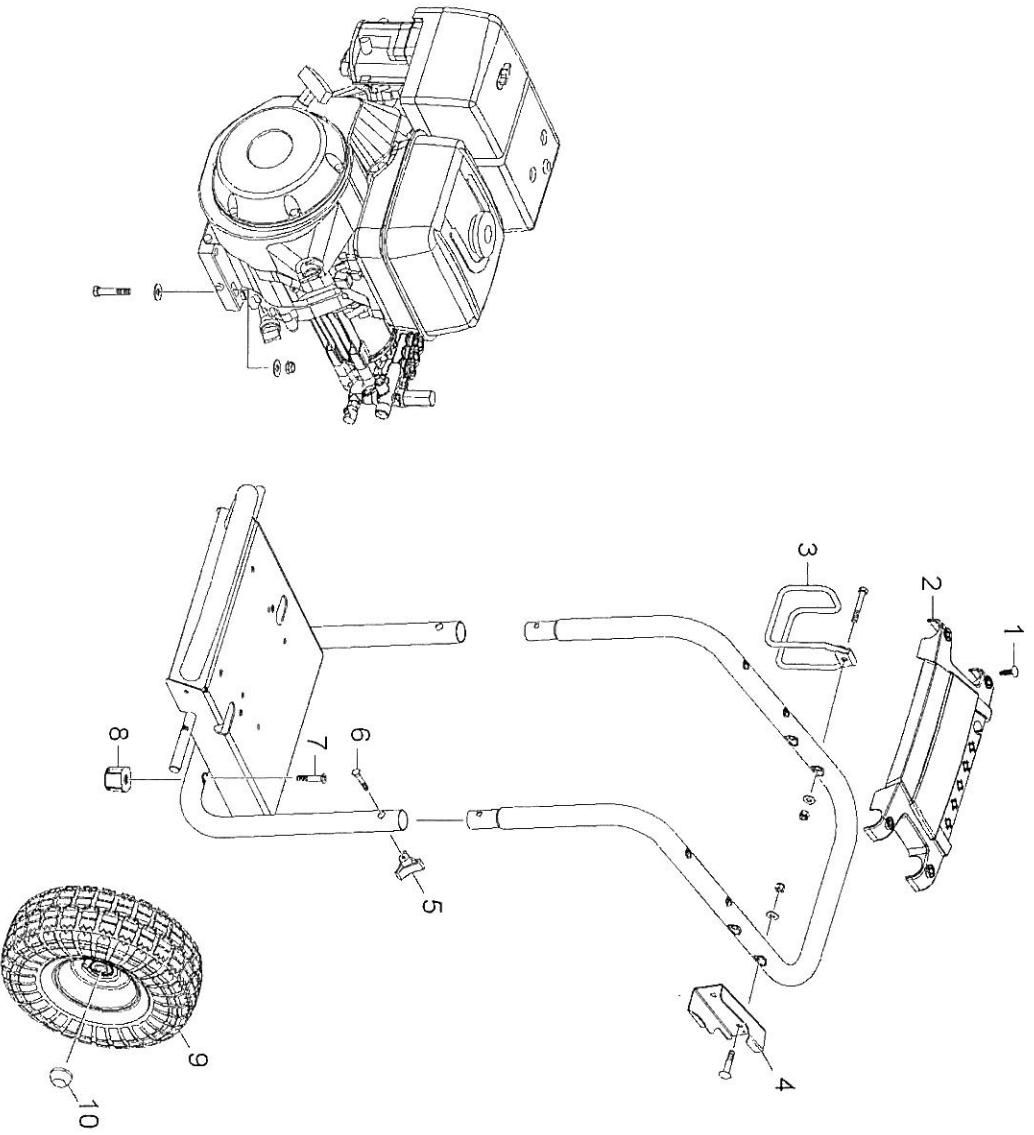
3.0 Motor

3.1 Motor

3.2 Transmission

4.0 Accessories

1.0 Frame

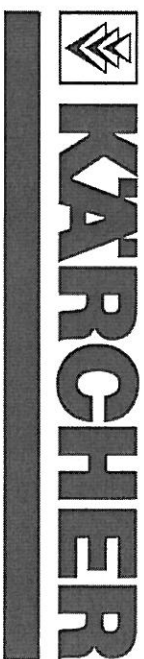


1.0 Frame

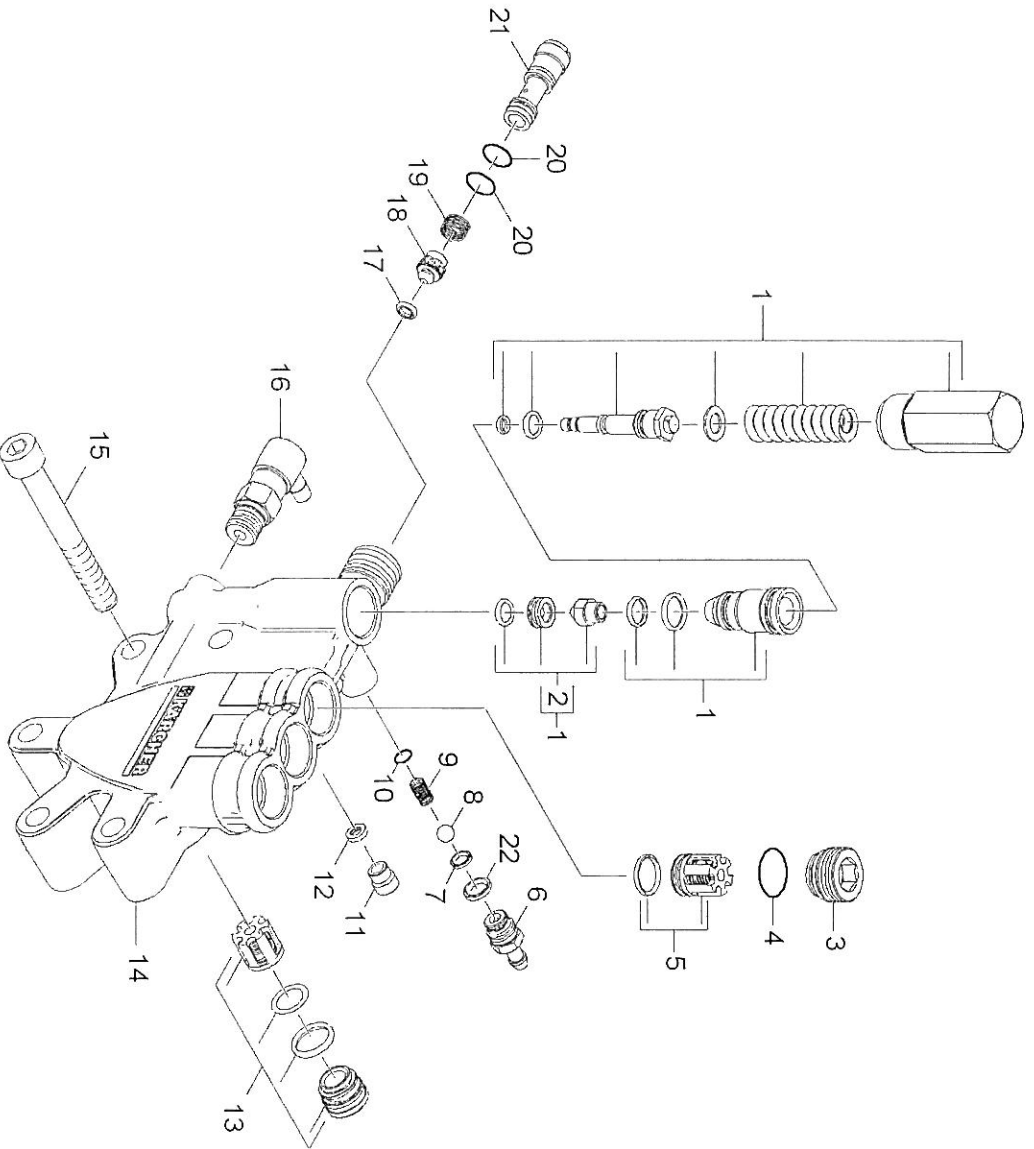
POS	DESCRIPTION ADDITIONAL INFORMATIONS	PART NO	QTY.	FROM SER.NR.	UP TO SER. NR.
1	Nylon Rivet	91960490	4		
2	Name plate	91340220	1		
3	POWDER COATED HOSE HANGER BLK WRKL	91423150	1		
4	POWDER COATED BLACK WRINKLE TRIGGER GUN	91401520	1		
5	KNOB 1/4"-20,3PT. STAR	91823530	2		
6	1/4-20 x 1-1/2 GR 2 HEX BOLT ZINC	91963070	1		
7	FLAT HEAD M/S 5/16-18X1-3/4"	91960460	2		
8	RUBBER DAMPENER 5/16"-18FEMALE 2001	91834050	2		
9	WHEEL, 12" X 3.50" PNEU-BLACK RIMS	91890110	2		
10	CAP BLACK PLASTIC,5/8"FASTENER	91825060	2		

2.0 Pump set

- 2.1 Cylinder head
- 2.2 Piston



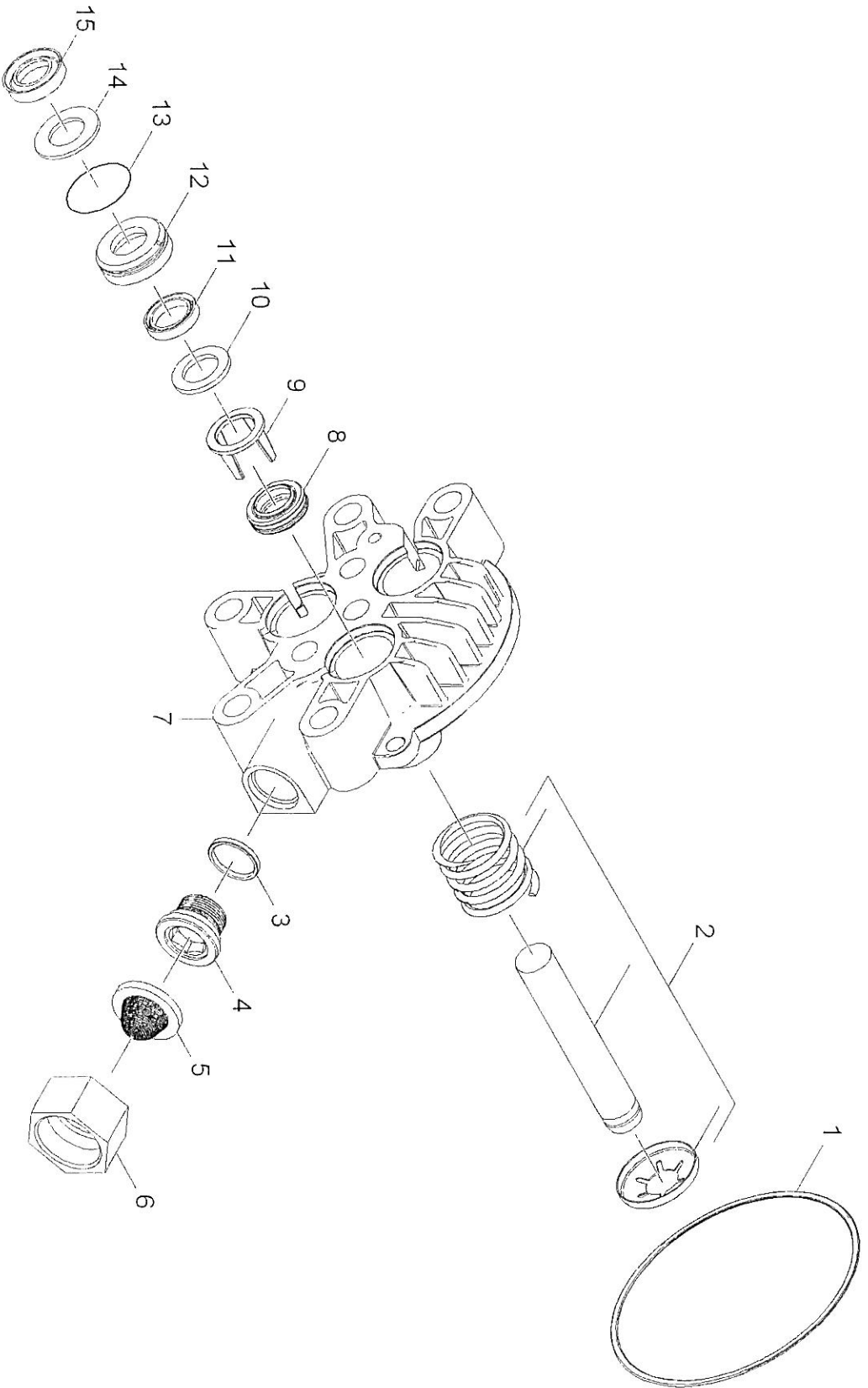
2.1 Cylinder head



2.1 Cylinder head

POS	DESCRIPTION ADDITIONAL INFORMATIONS	PART NO	QTY.	FROM SER.NR.	UP TO SER. NR.
1	UNLOADER ASSY (9,120-019,0) PUMP	91750110	1		
2	Spare parts set seat excess-current	91393590	1		
3	M22 x 1 Plug	91540470	3		
4	O-Ring seal 14,0x2,0-NBR 80	63624810	3		
5	Valve (3 Stueck)	28845120	1		
	3 QTY.				
6	Nipple chemistry	54434480	1		
7	O-Ring seal 5,28x 1,78	63621750	1		
8	Sphere 7 G40 -1,4401 DIN 5401	74019090	1		
9	Helical spring	53322580	1		
10	O-Ring seal 6,0 X 2,0	63621130	1		
11	Plug M10x1	91540490	1		
12	Safety, Plate	91510140	1		
13	SPARE PART LIST 019 PUMP 3 QTY.	91393640	1		
14	Cylinder Head-Machined	91350120	1		
15	Cylinder head screw M10X 80-8-8-A3E IS	73060720	5		
16	THERMAL RELIEF VALVE	91840130	1		
17	O-Ring seal 4 x 2 NBR 90	63628510	1		
18	VALVE PIN-BACK PRESSURE	91840120	1		
19	SPRING-VALVE PIN	91570060	1		
20	O-Ring seal 9,0 x 1,5	63623840	2		
21	Nozzle insert	57691410	1		
22	O-Ring seal 8,0 x 1,0	63624510	1		

2.2 Piston



2.2 Piston

POS	DESCRIPTION ADDITIONAL INFORMATIONS	PART NO	QTY.	FROM SER.NR.	UP TO SER. NR.
1	GASKET 92X2 NBR	63630670	1		
2	SPARE PART OF PISTON 9.120-019.0 PUMP	91393580	3		
3	O-Ring seal 15,6 X 1,78	63623900	1		
4	MALE ADAPTER	91340190	1		
5	FILTER SEAL-HOSE CONNECTOR-	91810050	1		
6	FEMALE HOSE CONNECTOR	91550130	1		
7	Piston Guide-4000 psi	91350130	1		
8	Grooved ring 14X22X5/7	63653400	3		
9	SPACER	91823560	3		
10	BACK RING-LOW PRESSURE SEAL	91773110	3		
11	Grooved ring 14x20x4	63654340	3		
12	HOUSING-LOW PRESSURE SEAL	91550140	3		
13	O-Ring seal 24,0 X 1,5	63623760	3		
14	BACK RING-HIGH PRESSURE SEAL-	91773120	3		
15	SEAL HIGH PRESSURE	91773130	3		

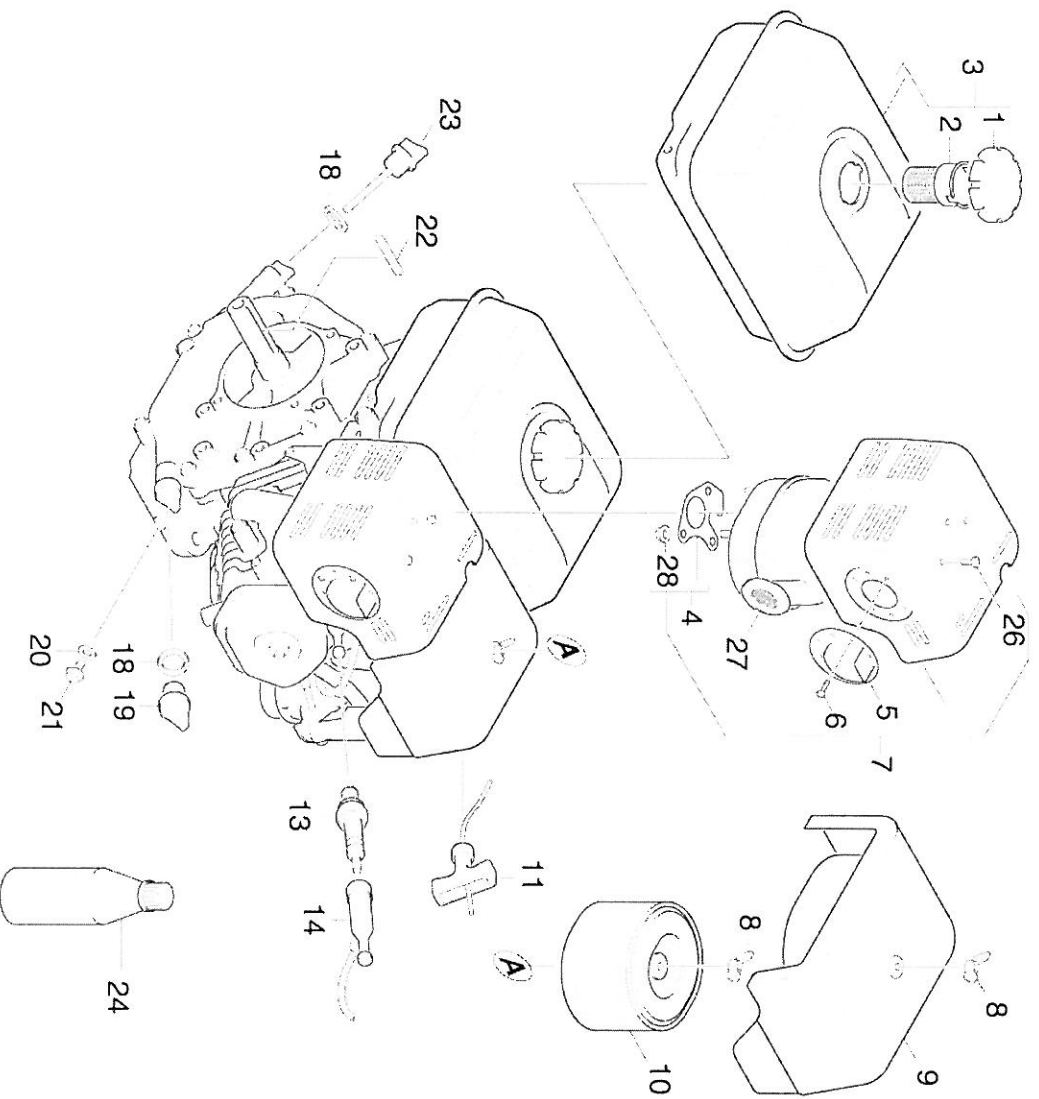
3.0 Motor

3.1 Motor

3.2 Transmission



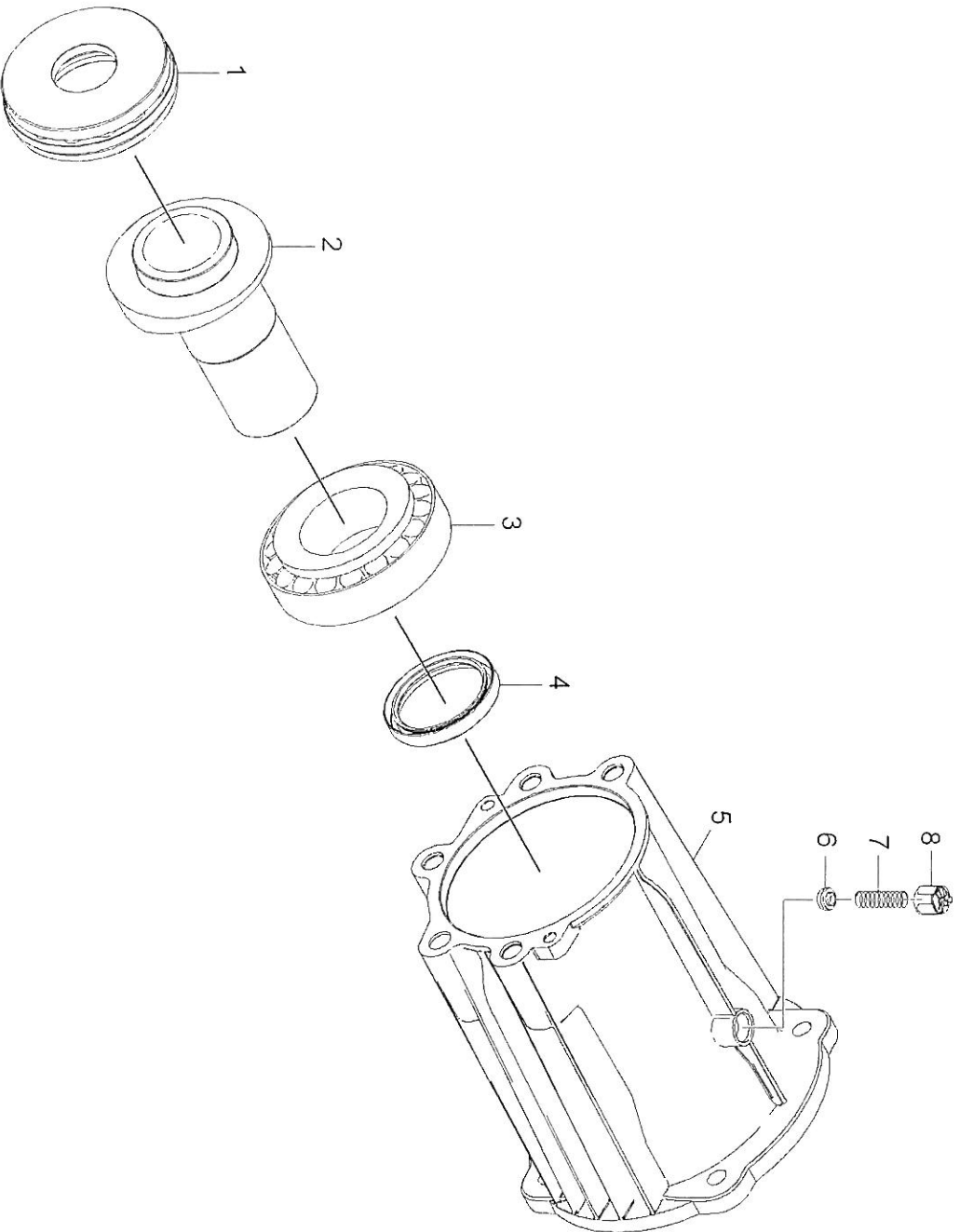
3.1 Motor



3.1 Motor

POS	DESCRIPTION ADDITIONAL INFORMATIONS	PART NO	QTY.	FROM SER.NR.	UP TO SER. NR.
1	CAP OF A TANK	64913470	1		
2	Filter	91945030	1		
3	Tank	91945010	1		
4	SEAL	64913480	1		
5	Cover exhaust	91945090	1		
6	SCREW M4X6	91945180	1		
7	Cover exhaust	91945070	1		
8	Wing nut	91945220	1		
9	BLOWER COVER	91944990	1		
10	AIR FILTER	64913450	1		
11	Starter rope complete	64913500	1		
13	SPARK PLUG	66180900	1		
14	STARK PLUG CONNECTOR	91945140	1		
18	OELDICHTRING	91944960	2		
19	DRAIN SCREW	91944950	1		
20	WASHER	91945260	1		
21	BOLT	91945200	1		
22	SPRING	64911760	1		
23	OIL DIP ROD	91944920	1		
24	Engine oil 1L	62880500	1		
26	Screw M4x6	91945160	1		
27	Exhaust complete	91945050	1		
28	Nut	91945240	1		

3.2 Transmission



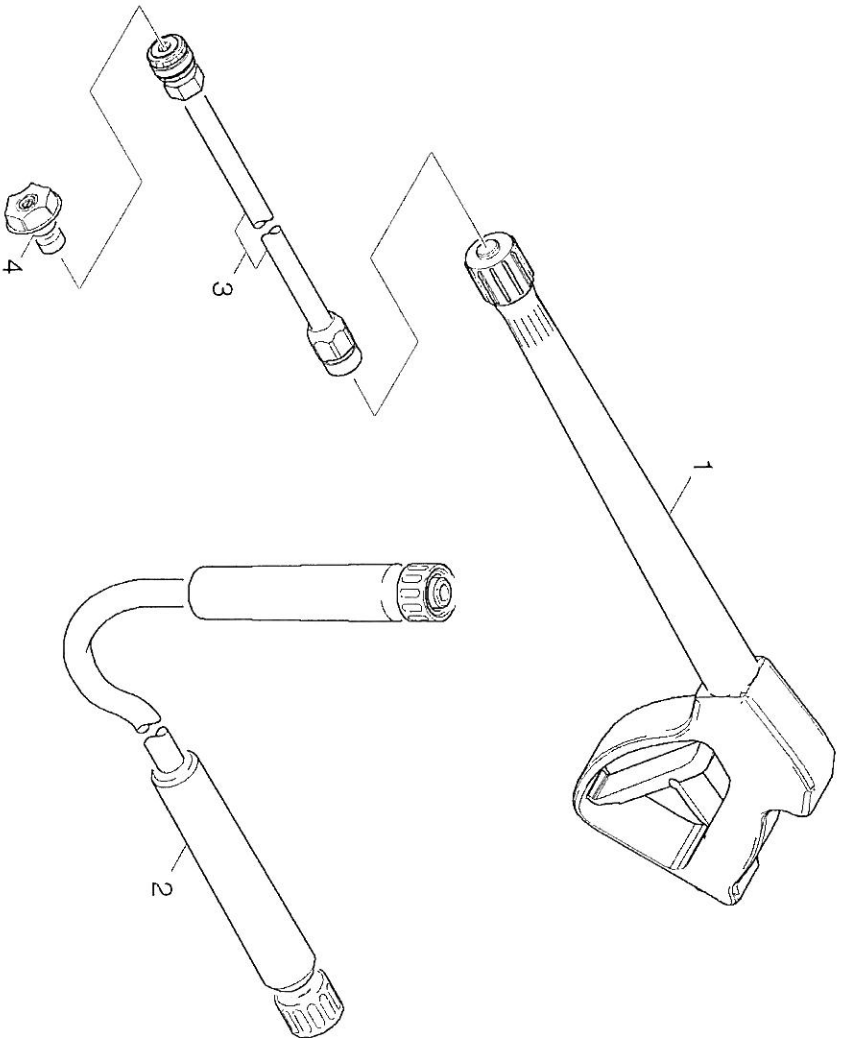
ETZ-5165523-000-00

01045130 / 91393570

3.2 Transmission

POS	DESCRIPTION ADDITIONAL INFORMATIONS	PART NO	QTY.	FROM SER.NR.	UP TO SER. NR.
1	Deep groove ball thrust bearing	64013910	1		
2	Swash Plate-Machined	91652560	1		
3	Taper roller bearing 41	64012250	1		
4	Radial shaft seal ring A40x52x7-NBR DIN	73670110	1		
5	Oil Housing-Machined	91350140	1		
6	VALVE DISK	55820800	1		
7	Helical spring	53322090	1		
8	Moulded part	50305330	1		

4.0 Accessories



4.0 Accessories

POS	DESCRIPTION ADDITIONAL INFORMATIONS	PART NO	QTY.	FROM SER.NR.	UP TO SER. NR.
1	AL5 GUN 4000 PSI	91120170	1		
2	HP HOSE DN8/50/4000/NOLOGO/BLK/RBR	91623230	1		
3	LANCE-AL QUICK CONNECT -MALE 4000 PSI	91125270	1		
4	MC Q/C NOZZLE KIT (045)	91040210	1		