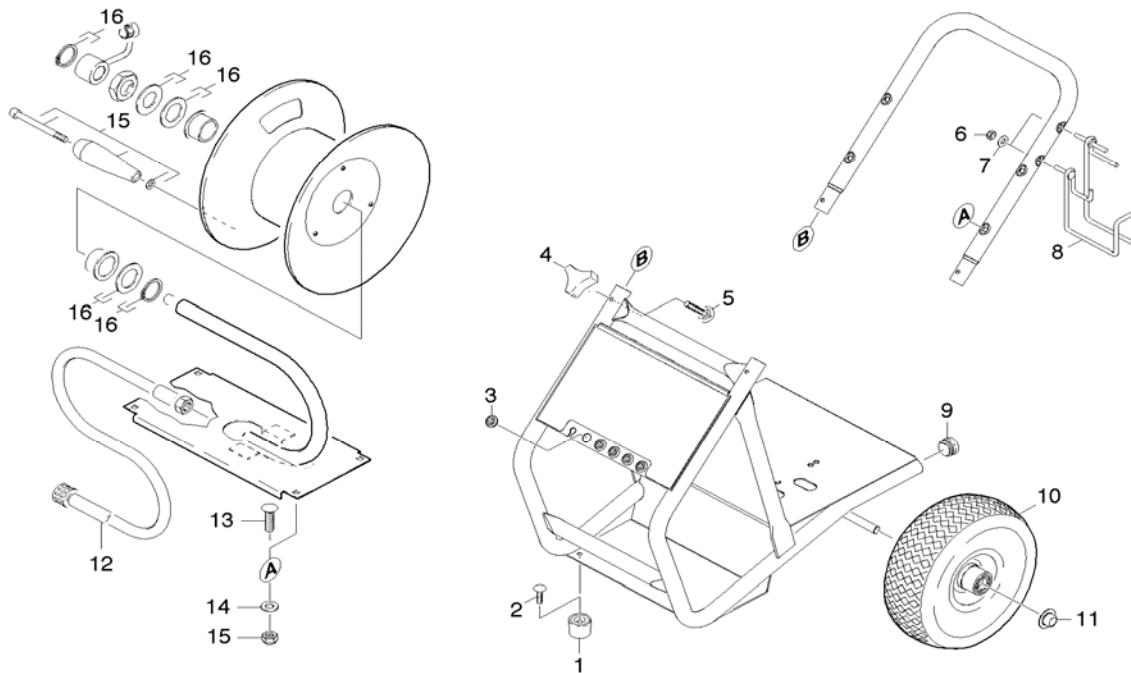


PARTS BREAKDOWN FOR HD3.1/31P version 1 (1.575-107.0)

Location	PN	DESCRIPTION	QTY	SERIAL #	
				FROM	TO
FRAME - 1.0					
1	9183-4010	Rubber Dampener 5/16"-18x5/8" 1998	2		
2	9196-3080	5/16-18x1/2 Carriage Bolt A307 Black	2		
3	9177-2040	Sleeve rubber	5		
4	9182-3530	Knob 1/4"-20.3PT. Star	2		
5	7303-2000	Saucer-head screw M 6x40-St-A0P DIN 603	2		
6	5310-1050	5/16"-18 Finished Hex Nut Zinc	2		
7	9198-0030	5/16 Internal L/W .332 ID X .620 OD Zinc	2		
8	9142-0100	Hanger Weld Assembly 45deg Left (Solo)	1		
9	9183-0010	Black Plastic Plug	2		
10	9189-0070	Wheel 10"x3.50" PNEU	2		
11	9182-0040	Cap Fastener 5/8" STL Galv	2		
12	9162-1540	HP Hose 3' 250 BAR	1		
15	9172-3020	Spare Parts - Handle Set	1		
16	9172-3030	Spare Parts - Sealing Kit	1		



R J Bowers Distributors

2003 Harrison Ave
Rockford IL 61104

E-mail: service@rjbowers.com

Web: www.rjbowers.com

(815) 399-8839 (800) 383-6584

PARTS BREAKDOWN FOR HD3.1/31P version 1 (1.575-107.0)

Location	PN	DESCRIPTION	QTY	SERIAL #	
				FROM	TO
PUMP SET - Cylinder Head (version 1) 2.1					
1	6362-1010	O-Ring seal 8.0x2.0	2		
2	5411-0700	Screw plug	1		
3	5332-2030	Helical spring	1		
4	5582-1190	Valve disc	1		
5	6362-1690	O-Ring seal 12.0x2.0	1		
6	7401-9090	Sphere 7 G40 -1.4401 DIN 5401	1		
7	6363-2730	O-Ring seal 11.0x2.0	5		
8	5583-1640	Valve Screw	1		
9	6362-0770	O-Ring seal 10x2.2 NBR 70	6		
10	2884-9160	Valve (3 Pack)	1		
11	6414-2520	Strainer	1		
12	6362-4720	O-Ring seal 6.0x1.0-NBR 70	1		
13	4132-0070	Drain Plug	4		
14	5063-8970	Suction cover	1		
15	7306-1050	Screw M6x30 -8.8-R3R	4		
16	6362-5330	O-Ring seal 14.0x1.5-NBR 70	3		
17	5003-9830	Plate	1		
18	6413-0670	Valve	1		
19	6362-8530	O-Ring seal 4.47x1.78	1		
20	5332-2330	Helical spring	1		
21	5402-6400	Screw Union	1		
22	5411-1500	Closing Screw	1		
23	5115-8760	Washer	1		
24	7401-0090	Sphere 4.762 KL3-1.4301 DIN 5401	1		
25	9154-0090	Swivel Adaptor G-3/4 w/2-Washers	1		
26	6362-4980	O-Ring seal 6.75x1.78 NBR 70	1		
27	4580-3580	Thermal Valve Assembly	1		

R J Bowers Distributors

2003 Harrison Ave
Rockford IL 61104

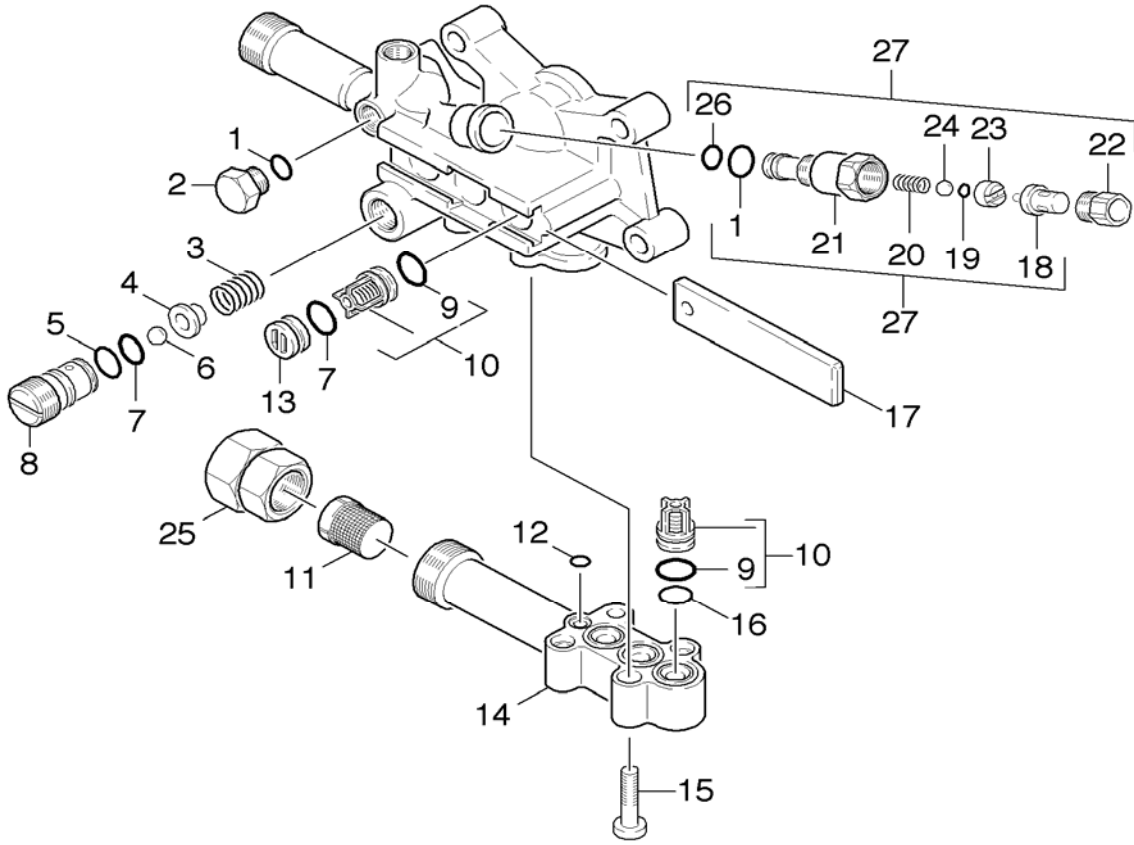
E-mail: service@rjbowers.com

Web: www.rjbowers.com

(815) 399-8839 (800) 383-6584

PARTS BREAKDOWN FOR HD3.1/31P version 1 (1.575-107.0)

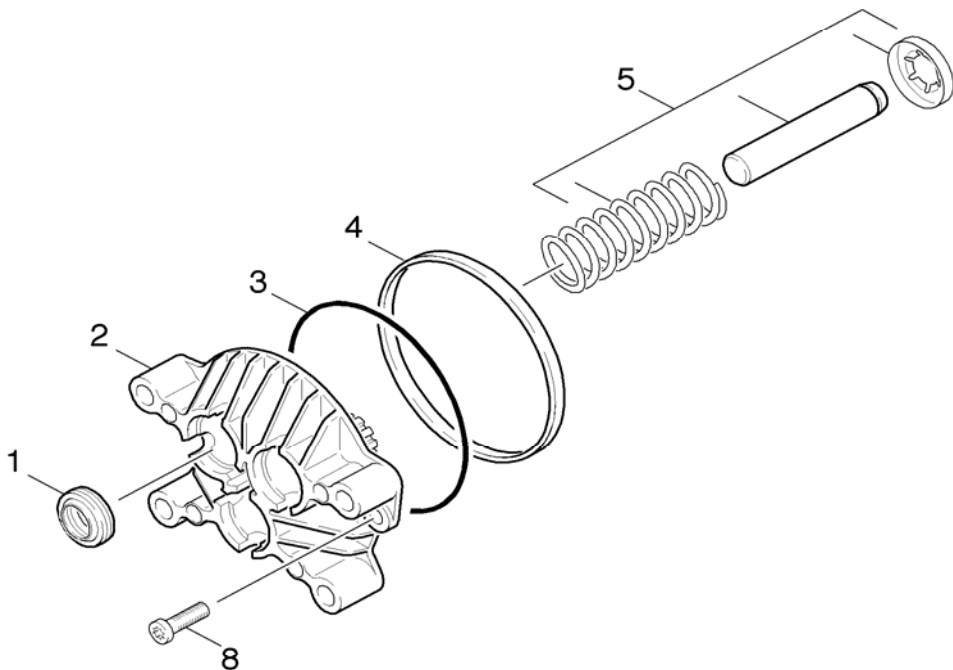
Location	PN	DESCRIPTION	QTY	SERIAL #	
				FROM	TO
PUMP SET - Cylinder Head (version 1) 2.1 continued					



R J Bowers Distributors
 2003 Harrison Ave
 Rockford IL 61104
 E-mail: service@rjbowers.com
 Web: www.rjbowers.com
 (815) 399-8839 (800) 383-6584

PARTS BREAKDOWN FOR HD3.1/31P version 1 (1.575-107.0)

Location	PN	DESCRIPTION	QTY	SERIAL #	
				FROM	TO
PUMP SET - Piston (version 1) 2.3					
1	6365-3400	Grooved Ring / Oil Seal 14x22x5/7	3		
2	5060-6770	Thrust guidance	1		
3	6363-0670	O-Ring / Gasket 92x2	1		
4	5114-4770	Ring	1		
5	9172-3050	Spare Parts Set - PISTON HD 3.1/31 P	3		
8	7303-0470	Screw M6x16 -St-R3R (In6Rd)	2		



R J Bowers Distributors

2003 Harrison Ave
Rockford IL 61104

E-mail: service@rjbowers.com

Web: www.rjbowers.com

(815) 399-8839 (800) 383-6584

PARTS BREAKDOWN FOR HD3.1/31P version 1 (1.575-107.0)

Location	PN	DESCRIPTION	QTY	SERIAL #	
				FROM	TO
PUMP SET - Chemistry (version 1) 2.5					
1	5321-3070	Handhold	1		
2	6362-4680	O-Ring seal complete	1		
3	6362-9890	O-Ring	1		
4	4401-0790	Screw connector part	1		
5	5110-6300	Sleeve	1		
6	6362-4540	O-Ring Complete	1		
7	5553-3630	Piston excess-current	1		
8	5332-4250	Spring	1		
9	5581-2420	Valve Seat	1		
10	6362-1690	O-Ring seal 12.0x2.0	1		
11	5305-2740	Shaped screw	1		
12	4769-0400	Nozzle insert	1		
13	6362-3840	O-Ring seal 9.0x1.5	2		
14	5584-0910	Valve pin check valve	1		
15	6362-8510	O-Ring seal 4x2 NBR 90	1		
16	7306-0470	Cylinder head screw M8x60 -8.8-A2E	4		
17	5110-7140	Sleeve	1		
18	5332-2580	Helical spring	1		
19	7401-9090	Sphere 7 G40 -1.4401 DIN 5401	1		
20	6362-1750	O-Ring seal 5.28x1.78	1		
21	6362-4510	O-Ring seal 8.0x1.0	1		
22	5443-4480	Nipple chemistry	1		
23	6388-2160	Hose DN 5	1		
24	4862-0320	Filter chemistry regulation	1		
25	5550-2650	Cylinder head screw M8x60 -8.8-A2E	1		
26	5115-7440	Washer	3		
27	6365-4380	Compact seal	3		
28	5112-5760	Bush	3		
29	6362-3760	O-Ring seal 24.0x1.5	3		
30	5115-8590	Washer	3		
31	6365-4320	Grooved Ring / Water Seal	3		
32	2883-8620	Chemistry Inlet Assembly (Spare Parts Set)	1		
100	2884-2160	Pump Rebuild Kit (Spare Parts Set)	1		

R J Bowers Distributors

2003 Harrison Ave
Rockford IL 61104

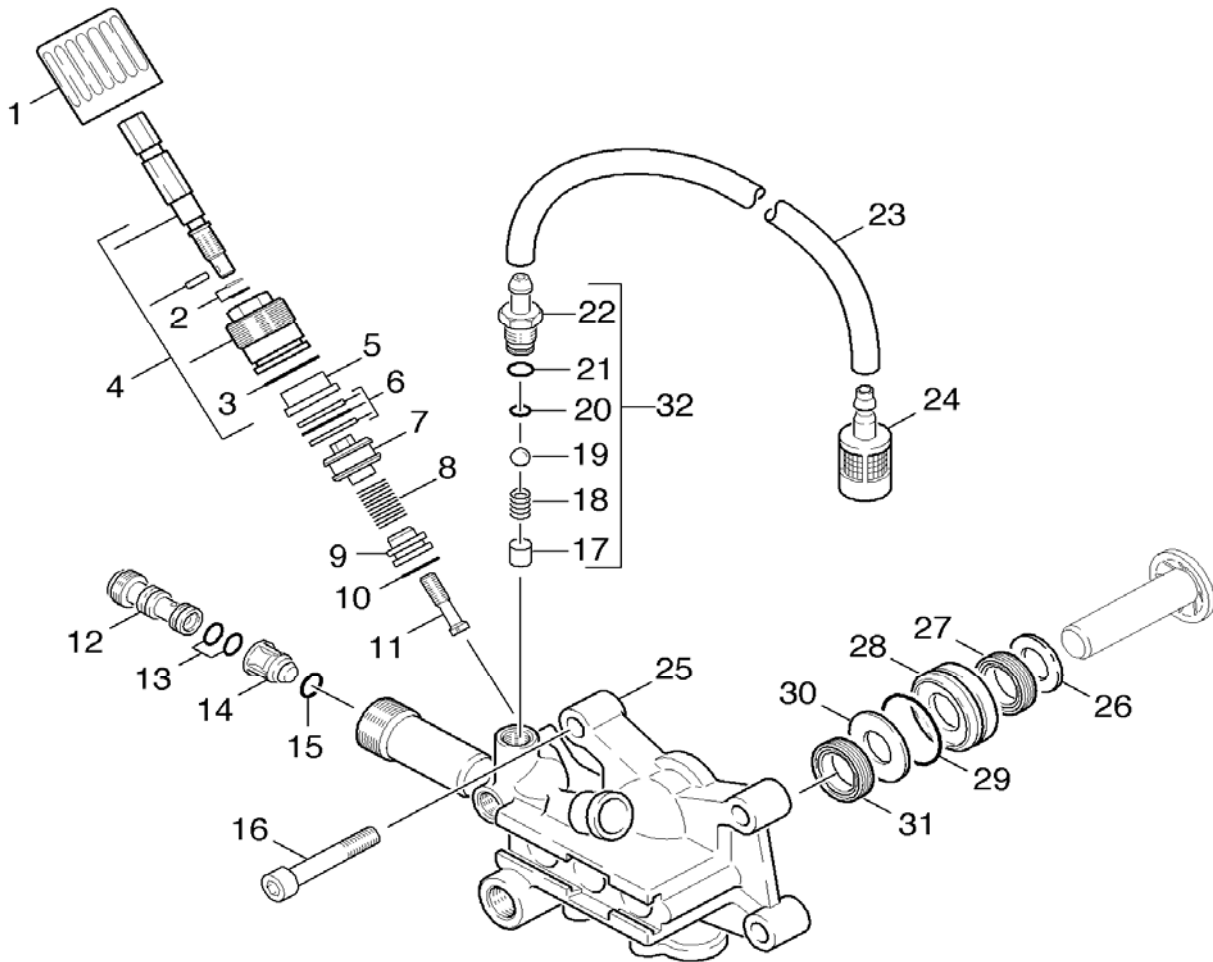
E-mail: service@rjbowers.com

Web: www.rjbowers.com

(815) 399-8839 (800) 383-6584

PARTS BREAKDOWN FOR HD3.1/31P version 1 (1.575-107.0)

Location	PN	DESCRIPTION	QTY	SERIAL #	
				FROM	TO
PUMP SET - Chemistry (version 1) 2.5 continued					



R J Bowers Distributors
 2003 Harrison Ave
 Rockford IL 61104
 E-mail: service@rjbowers.com
 Web: www.rjbowers.com
 (815) 399-8839 (800) 383-6584

PARTS BREAKDOWN FOR HD3.1/31P version 1 (1.575-107.0)

Location	PN	DESCRIPTION	QTY	SERIAL #	
				FROM	TO
MOTOR - Motor 3.1					
1	6491-3470	Cap of Tank	1		
2	9194-5030	Filter	1		
3	9194-5010	Tank	1		
4	6491-3480	Seal	1		
5	9194-5090	Cover exhaust	1		
6	9194-5180	Screw M4x6	1		
7	9194-5070	Cover exhaust	1		
8	9194-5220	Wing nut	1		
9	9194-4990	Blower Cover	1		
10	6491-3450	Air Filter	1		
11	6491-3500	Starter rope complete	1		
12		Stockpiling discontinued	4		
13	6618-0900	Spark Plug	1		
14	9194-5140	Spark Plug Connector	1		
15		Washer (Stockpiling discontinued)	8		
16		Bolt (Stockpiling discontinued)	4		
18	9194-4960	Oeldichtring	2		
19	9194-4950	Drain Screw	1		
20	9194-5260	Washer	1		
21	9194-5200	Bolt	1		
22	6491-1760	Spring	1		
23	9194-4920	Oil Dip Rod	1		
24	6288-0500	Engine oil 1L 15W-40	1		
26	9194-5160	Screw M4x6	1		
27	9194-5050	Exhaust complete	1		
28	9194-5240	Nut	1		

R J Bowers Distributors

2003 Harrison Ave
Rockford IL 61104

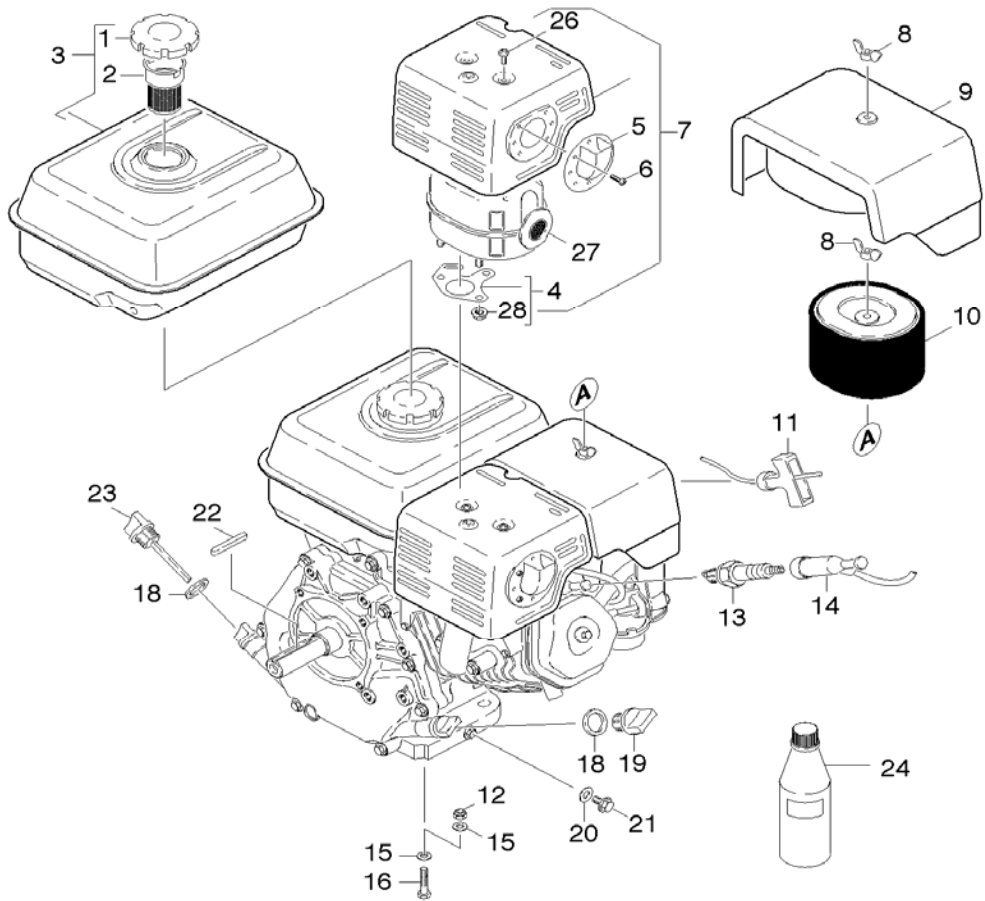
E-mail: service@rjbowers.com

Web: www.rjbowers.com

(815) 399-8839 (800) 383-6584

PARTS BREAKDOWN FOR HD3.1/31P version 1 (1.575-107.0)

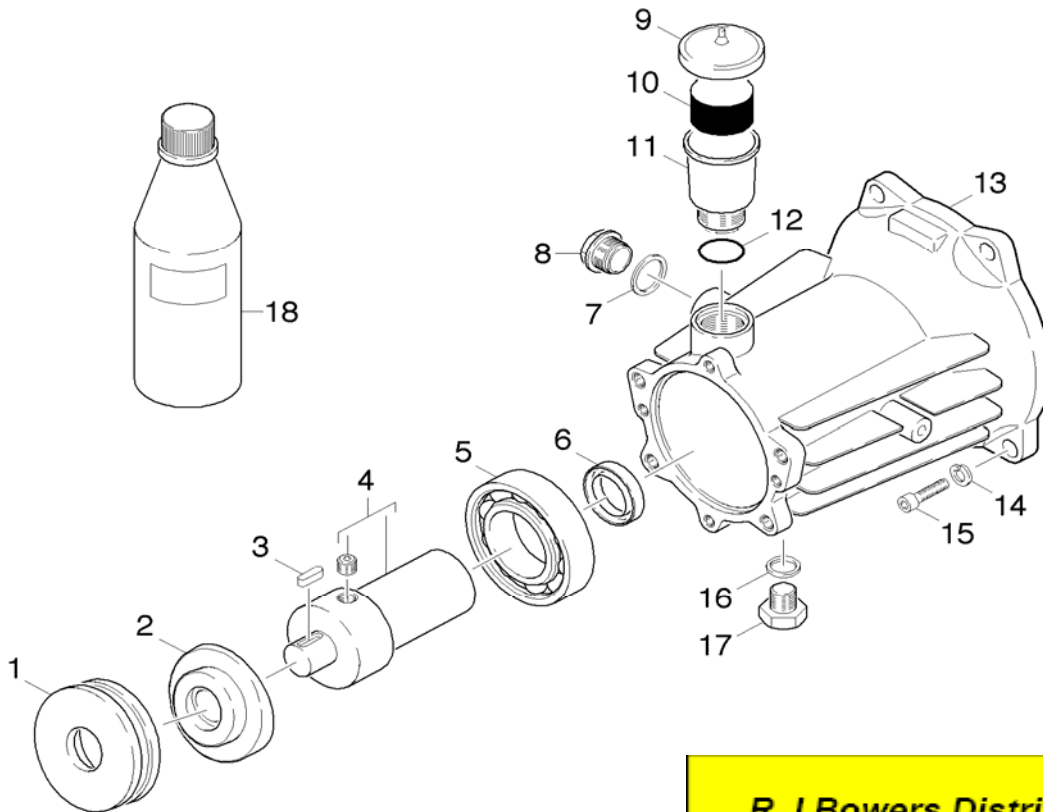
Location	PN	DESCRIPTION	QTY	SERIAL #	
				FROM	TO
MOTOR - Motor 3.1 continued					



R J Bowers Distributors
 2003 Harrison Ave
 Rockford IL 61104
 E-mail: service@rjbowers.com
 Web: www.rjbowers.com
 (815) 399-8839 (800) 383-6584

PARTS BREAKDOWN FOR HD3.1/31P version 1 (1.575-107.0)

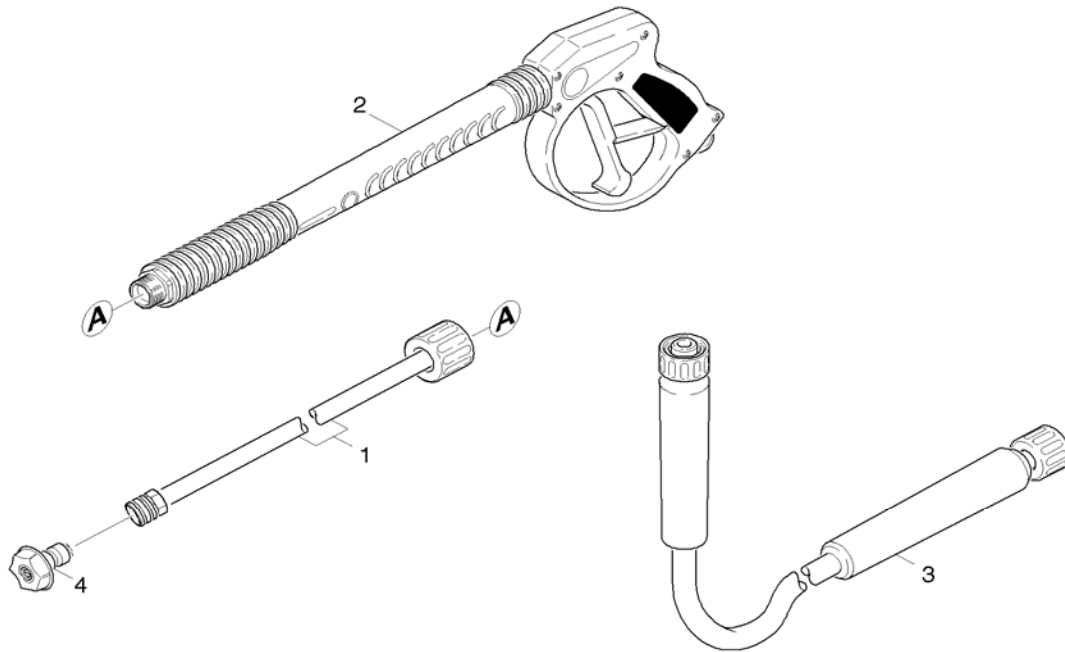
Location	PN	DESCRIPTION	QTY	SERIAL #	
				FROM	TO
MOTOR - Transmission 3.2					
1	6401-3910	Deep groove ball thrust bearing	1		
2	5120-3150	Swash plate lift 8mm	1		
3	7318-0020	Parallel key 5x5x16 -C45R DIN 6885-1	1		
4	4120-1880	Coupling element complete	1		
5	7401-3020	Roller bearing 30208-Wae.St. DIN 720	1		
6	7367-0110	Radial shaft seal ring A40x52x7-NBR DIN	1		
7	6362-5850	Seal	1		
8	5411-0620	Screw plug	1		
9	5063-6510	Cover	1		
10	5132-1070	Plug	1		
11	5070-1940	Tank	1		
12	6362-1680	O-Ring seal 22,3 X 2,4-NBR 70	1		
13	5060-8250	Housing HD 690 B I	1		
14	6312-0660	Washer	4		
15		Bolt - Stockpiling discontinued	4		
16	7362-0050	Joint ring A14x18 -Cu DIN 7603	1		
17	7382-2330	Screw plug M14x1,5-A-CuZn DIN 7604	1		
18	6288-0500	Engine oil 1L	1		



R J Bowers Distributors
 2003 Harrison Ave
 Rockford IL 61104
 E-mail: service@rjbowers.com
 Web: www.rjbowers.com
 (815) 399-8839 (800) 383-6584

PARTS BREAKDOWN FOR HD3.1/31P version 1 (1.575-107.0)

Location	PN	DESCRIPTION	QTY	SERIAL #	
				FROM	TO
ACCESSORIES - 4.0					
1	9112-5080	Spray Lance	1		
2	9112-0090	Trigger Gun SK2 M22x1.5 Male/Male	1		
3	9162-3230	HP Hose DN8 / 50' / 4000 psi	1		
4	9104-0300	Quick Connect Nozzle Kit (040)	1		
4	9104-0200	Quick Connect Nozzle Kit (037)	1		



R J Bowers Distributors

2003 Harrison Ave
Rockford IL 61104

E-mail: service@rjbowers.com

Web: www.rjbowers.com

(815) 399-8839 (800) 383-6584