

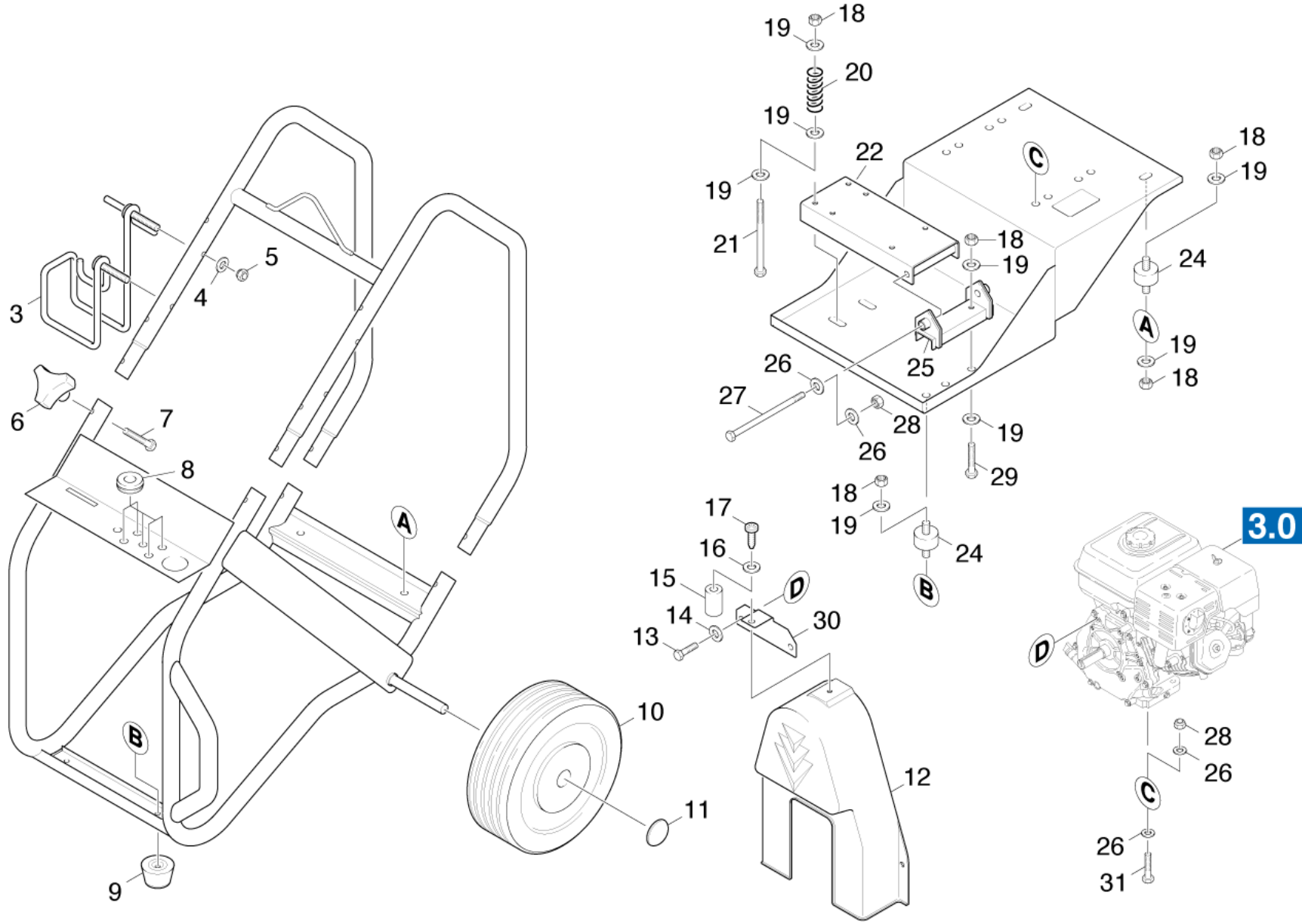
Spare parts list
(5.970-169.0) Spare parts list HD 3000

Table of contents

Spare parts list HD 3000 (5.970-169.0)	6
10 Frame (0.103-033.0).....	7
20 Pump set (0.108-426.0).....	10
30 Motor (0.112-839.0).....	12
31 Motor (0.112-840.0).....	13
32 Transmission (0.112-841.0).....	15
40 Accessories (0.148-632.0).....	17

Spare parts list HD 3000 (5.970-169.0)

Pos	Name	Qty.	Unit	from ser.nr.	up to ser.nr.
10	Frame	1.000	ST	0000000000	0000000000
20	Pump set	1.000	ST	0000000000	0000000000
30	Motor	1.000	ST	0000000000	0000000000
40	Accessories	1.000	ST	0000000000	0000000000

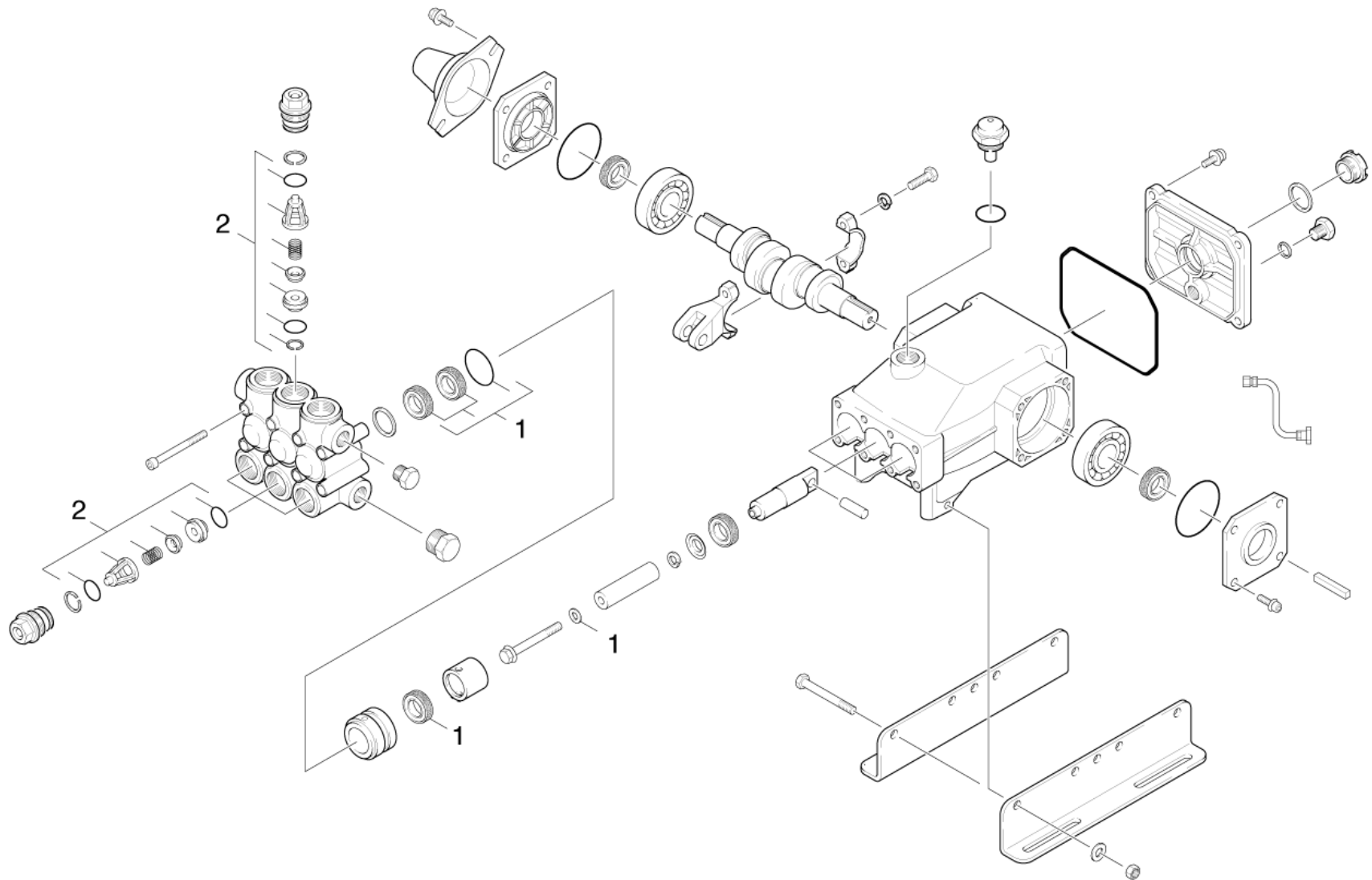


10 Frame (0.103-033.0)

Pos	Material #	Name	Qty.	Unit	from ser.nr.	up to ser.nr.
3	9.142-009.0	HANGER WELD ASSY 45DEG RIGHT (SOLO)	1.000	ST	0000000000	0000000000
4	9.198-003.0	5/16 INTERNAL L/W .332 ID X .620 OD ZINC	2.000	ST	0000000000	0000000000
5	5.310-105.0	5/16"-18 FINISHED HEX NUT ZINC	2.000	ST	0000000000	0000000000
6	9.182-353.0	KNOB 1/4"-20,3PT. STAR	4.000	ST	0000000000	0000000000
7	9.196-307.0	1/4-20 x 1-1/2 GR 2 HEX BOLT ZINC	4.000	ST	0000000000	0000000000
8	9.177-204.0	Sleeve rubber	5.000	ST	0000000000	0000000000
9	9.183-405.0	RUBBER DAMPENER 5/16"-18FEMALE 2001	2.000	ST	0000000000	0000000000
10	9.198-008.0	Wheel	2.000	ST	0000000000	0000000000
11	9.182-506.0	CAP BLACK PLASTIC,5/8"FASTENER	2.000	ST	0000000000	0000000000
12	9.136-353.0	BELT GUARD	1.000	ST	0000000000	0000000000
13	9.186-011.0	HEX HD SCREW 5/16"-24x3/4"	2.000	ST	0000000000	0000000000
14	5.115-656.0	Washer	2.000	ST	0000000000	0000000000
15	9.197-010.0	1/4-20" Nylon Insert Lock Nut with Flang	1.000	ST	0000000000	0000000000
16	7.777-999.0	Stockpiling discontinued	1.000	ST	0000000000	0000000000
17	9.186-018.0	PAN HD PHILLIPS 10-32 MACHINE SCR	1.000	ST	0000000000	0000000000
18	9.197-002.0	5/16-18 NE NYLON INSERT L/N ZC 5UM	10.000	ST	0000000000	0000000000
19	7.777-999.0	Stockpiling discontinued	17.000	ST	0000000000	0000000000
20	9.147-152.0	Spring	2.000	ST	0000000000	0000000000
21	9.186-016.0	HEX HD SCREW 5/16-18X4.5"	2.000	ST	0000000000	0000000000
22	9.145-135.0	PUMP BASE PLATE ASSY	1.000	ST	0000000000	0000000000
24	9.183-406.0	RUBBER DAMPENER	4.000	ST	0000000000	0000000000
25	9.113-011.0	PUMP SUPPORT WELD ASSY	1.000	ST	0000000000	0000000000
26	7.777-999.0	Stockpiling discontinued	9.000	ST	0000000000	0000000000
27	9.186-017.0	Hexagonal head screw 3/8-16X6.0"	1.000	ST	0000000000	0000000000
28	7.777-999.0	Stockpiling discontinued	5.000	ST	0000000000	0000000000

10 Frame (0.103-033.0)

Pos	Material #	Name	Qty.	Unit	from ser.nr.	up to ser.nr.
29	7.777-999.0	Stockpiling discontinued	2.000	ST	0000000000	0000000000
30	9.145-133.0	BELT GUARD BRACKET	1.000	ST	0000000000	0000000000
31	7.777-999.0	Stockpiling discontinued	4.000	ST	0000000000	0000000000

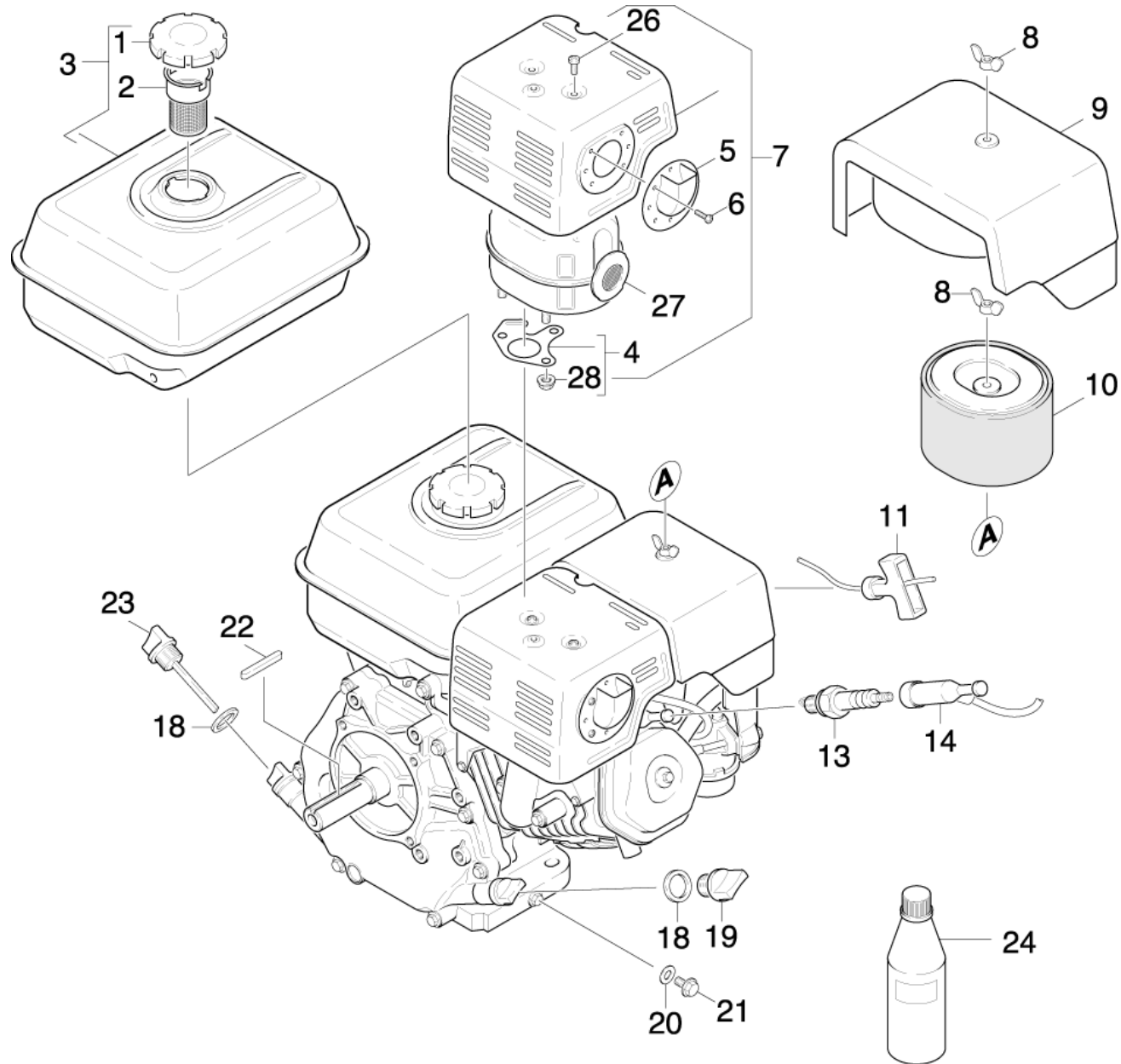


20 Pump set (0.108-426.0)

Pos	Material #	Name	Qty.	Unit	from ser.nr.	up to ser.nr.
1	6.470-156.0	Set of gaskets	1.000	ST	0000000000	0000000000
2	6.470-157.0	VALVE fuer Pumpe	1.000	ST	0000000000	0000000000

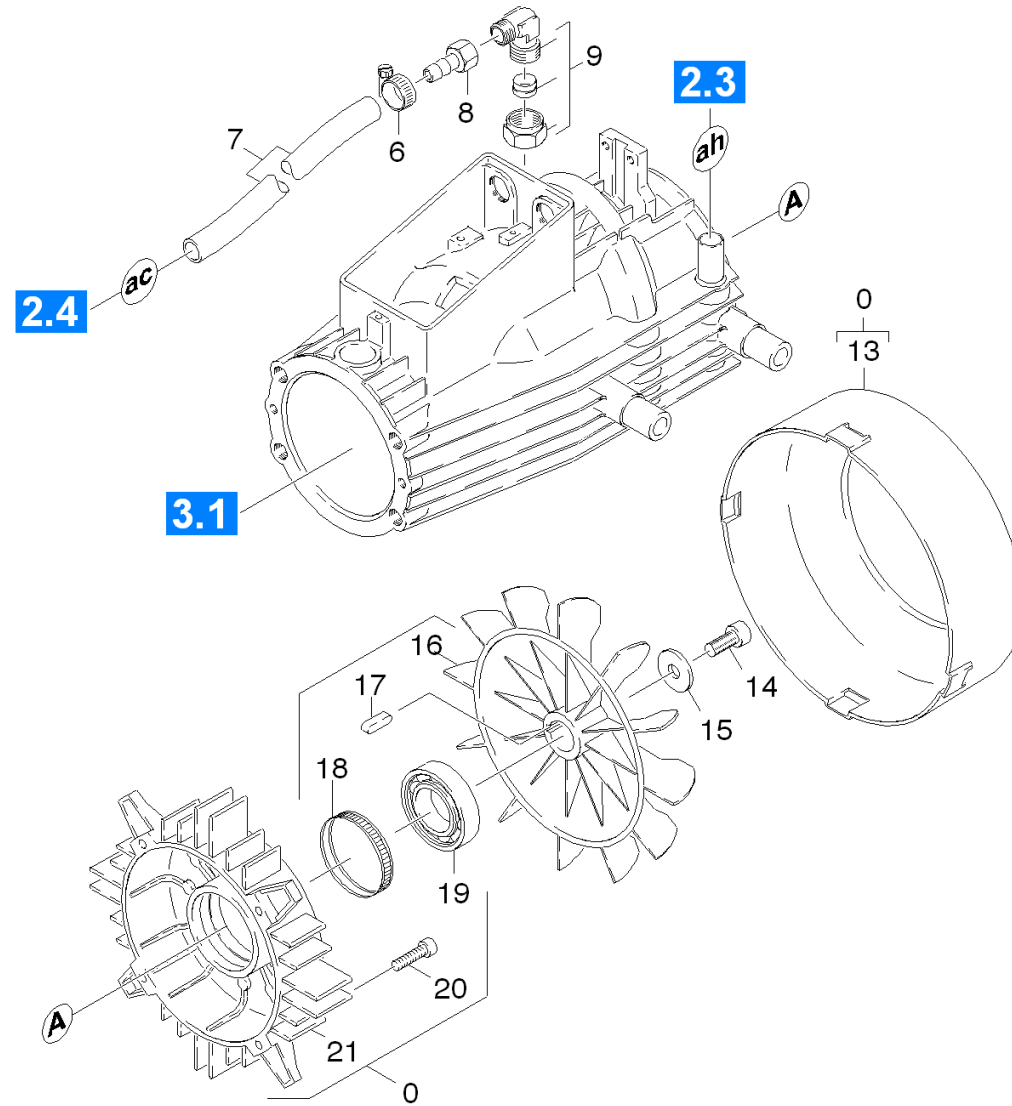
30 Motor (0.112-839.0)

Pos	Name	Qty.	Unit	from ser.nr.	up to ser.nr.
31	Motor	1.000	ST	0000000000	0000000000
32	Transmission	1.000	ST	0000000000	0000000000



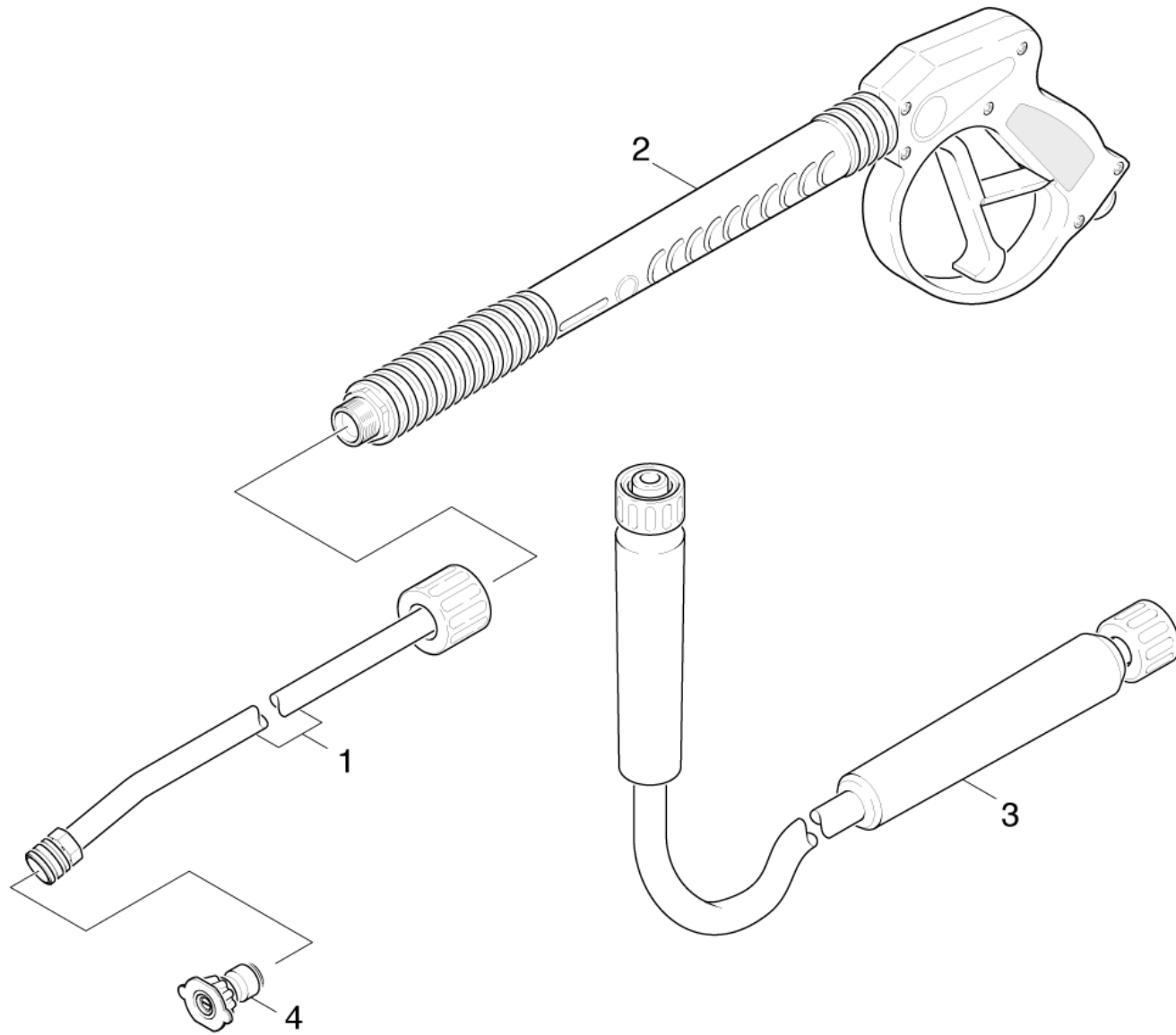
31 Motor (0.112-840.0)

ET/VT (spare/wear parts)	Pos	Material #	Name	Qty.	Unit	from ser.nr.	up to ser.nr.
	1	6.491-347.0	Cap of a tank complete	1.000	ST	0000000000	0000000000
	2	7.777-999.0	Stockpiling discontinued	1.000	ST	0000000000	0000000000
	3	9.194-501.0	Tank	1.000	ST	0000000000	0000000000
	4	6.491-348.0	Seal	1.000	ST	0000000000	0000000000
	5	9.194-509.0	Cover exhaust	1.000	ST	0000000000	0000000000
	6	9.194-518.0	Screw M4X6	1.000	ST	0000000000	0000000000
	7	9.194-507.0	Exhaust complete	1.000	ST	0000000000	0000000000
	8	9.194-522.0	Wing nut	1.000	ST	0000000000	0000000000
	9	9.194-499.0	Cover blower	1.000	ST	0000000000	0000000000
X-X	10	6.491-345.0	Air filter insert	1.000	ST	0000000000	0000000000
	11	6.491-350.0	Starter rope complete	1.000	ST	0000000000	0000000000
X-X	13	6.618-090.0	Ignition plug	1.000	ST	0000000000	0000000000
	14	9.194-514.0	Spark plug connector	1.000	ST	0000000000	0000000000
	18	9.194-496.0	Joint ring	2.000	ST	0000000000	0000000000
	19	9.194-495.0	DRAIN SCREW	1.000	ST	0000000000	0000000000
	20	9.194-526.0	Washer	1.000	ST	0000000000	0000000000
	21	9.194-520.0	Bolt	1.000	ST	0000000000	0000000000
	22	6.491-176.0	Parallel key 6,3X36	1.000	ST	0000000000	0000000000
	23	9.194-492.0	Oil level gauge	1.000	ST	0000000000	0000000000
X-X	24	6.288-050.0	Engine oil 1L	1.000	ST	0000000000	0000000000
	26	9.194-516.0	Screw M4x6	1.000	ST	0000000000	0000000000
	27	9.194-505.0	Exhaust	1.000	ST	0000000000	0000000000
	28	9.194-524.0	Nut	1.000	ST	0000000000	0000000000



32 Transmission (0.112-841.0)

Pos	Material #	Name	Qty.	Unit	from ser.nr.	up to ser.nr.
1	9.190-010.0	V-BELT, VBB32	2.000	ST	0000000000	0000000000
2	9.190-006.0	H BUSHING,LX1	1.000	ST	0000000000	0000000000
3	9.190-009.0	SHEAVE - 2MBL35	1.000	ST	0000000000	0000000000
4	9.190-007.0	H BUSHING,LX20MM	1.000	ST	0000000000	0000000000
5	7.777-999.0	Stockpiling discontinued	4.000	ST	0000000000	0000000000
6	9.186-022.0	HEX HD SCREW M8-1.25X16MM	1.000	ST	0000000000	0000000000
7	9.190-005.0	Roller -2MBL87	1.000	ST	0000000000	0000000000



40 Accessories (0.148-632.0)

Pos	Material #	Name	Qty.	Unit	from ser.nr.	up to ser.nr.
1	9.112-508.0	LANCE -Q/C FEMALE	1.000	ST	0000000000	0000000000
2	9.112-013.0	TRIGGER GUN, SK2 Q/C	1.000	ST	0000000000	0000000000
3	9.162-317.0	HP HOSE DN8/50'/250/GRY-Q/C	1.000	ST	0000000000	0000000000
4	9.104-017.0	Q/C NOZZLES 037 KIT	1.000	ST	0000000000	0000000000
Position text: / 1.810-931.0						
4	9.104-015.0	Nozzles set 045	1.000	ST	0000000000	0000000000
Position text: / 1.810-932.0 / -933.0						
