

## **Spare parts list**

(5.970-616.0) Spare parts list HD 2.3/15 C Ed/ 3.0/20

## Table of contents

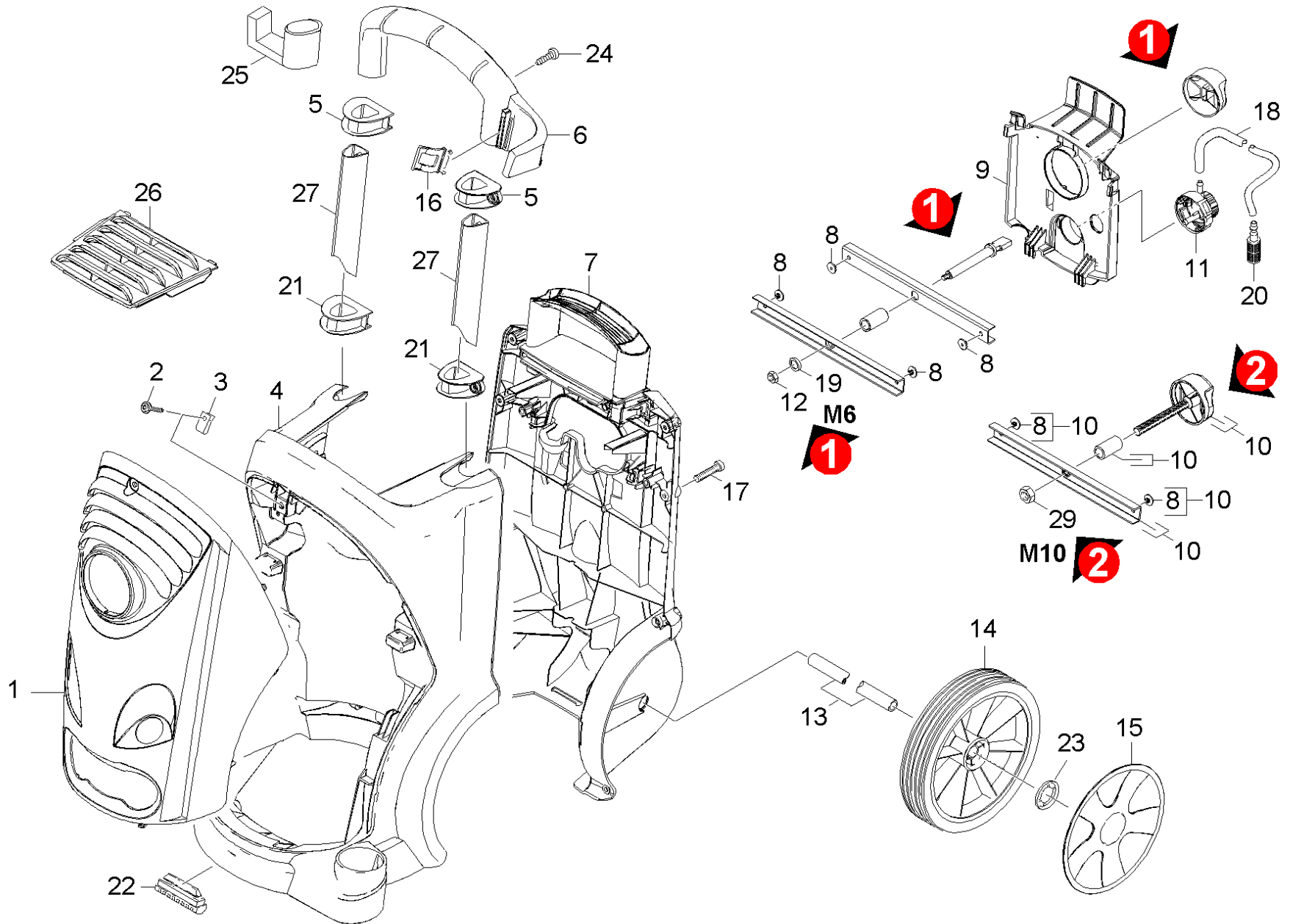
---

Order instructions	2
Spare parts list HD 2.3/15 C Ed/ 3.0/20 (5.970-616.0)	6
10 Housing	7
20 Pump set	10
21 Cylinder head	11
4 Valve (3 Stück) (2.884-916.0)	14
11 Drain plug only for replacement (4.132-007.0)	16
21 Nozzle insert only for replacement (4.769-034.0)	18
31 Spindle complete (4.291-014.0)	20
100 PUMP SET HD 5/12 C (2.883-997.0)	22
10 Drain plug only for replacement (4.132-007.0)	23
22 Thrust guidance	25
30 Motor	27
40 Accessories	29
41 Hand trigger gun	30
1 HAND TRIGGER GUN EASY PRESS (4.775-463.0)	32
9002 Lever complete (4.481-209.0)	34
4 Lever complete (4.481-209.0)	36
42 Jet pipe	38
1 Jet pipe packaged only for replacement (4.760-663.0)	40
43 Nozzle	42
44 Nozzle	44
Triple jet nozzle only for replacement 0 (4.767-150.0)	46
1 Triple jet nozzle 040	47
Triple jet nozzle only for replacement 0 (4.767-152.0)	49
50 Electric box	51
51 Electric box	52
52 Electric box	54

Spare parts list HD 2.3/15 C Ed/ 3.0/20 (5.970-616.0)

---

<b>POS</b>	<b>Description</b>	<b>Quantity</b>	<b>Unit</b>
10	Housing	1.000	ST
20	Pump set	1.000	ST
30	Motor	1.000	ST
40	Accessories	1.000	ST
50	Electric box	1.000	ST



10 Housing

POS	Article no.	Description	Quantity	Unit	Serial number from	Serial number to	Remark	Foot note text
1	5.069-121.0	Device cover	1.000	ST	0000000000	0000000000		
	<b>Item text1:</b> 1.150-610.0 /-611.0 /-616.0							
1	5.069-202.0	Device cover	1.000	ST				
	<b>Item text1:</b> 1.150-614.0							
2	6.304-099.0	Saucer-head screw M 6x 18-4.8-R2R	1.000	ST	0000000000	0000000000		
3	6.310-053.0	Putting nut	1.000	ST	0000000000	0000000000		
4	5.050-206.0	Frame front part	1.000	ST				
	<b>Item text1:</b> 1.150-614.0 /							
4	5.050-286.0	Frame front part	1.000	ST	0000000000	0000000000		
	<b>Item text1:</b> 1.150-610.0 / -611.0 /-616.0							
5	5.032-554.0	Guide	2.000	ST	0000000000	0000000000		
6	5.321-721.0	Hand grip	1.000	ST	0000000000	0000000000		
7	5.050-207.0	Frame rear panel	1.000	ST	0000000000	0000000000		
8	6.315-086.0	Rivet	4.000	ST	0000000000	0000000000		
9	5.032-556.0	Covering cap	1.000	ST	0000000000	0000000000		
10	2.885-007.0	Spare part set Griff	1.000	ST	0000000000	0000000000		
11	4.063-778.0	Proportioning valve chemistry	1.000	ST	0000000000	0000000000		
12	7.311-061.0	Hexagon nut M6-LH -8-A2E ISO 4032	1.000	ST	0000000000	0000000000	( M6 )	
13	5.105-399.0	Axle	1.000	ST	0000000000	0000000000		
14	6.435-756.0	Wheel grey D200	2.000	ST				
	<b>Item text1:</b> 1.150-614.0 /							
14	6.435-662.0	Wheel D200	2.000	ST	0000000000	0000000000		
	<b>Item text1:</b> 1.150-610.0 / -611.0 /-616.0							
15	4.515-273.0	Spare parts set wheel cap	1.000	ST				
	<b>Item text1:</b> 1.150-614.0 /							
15	4.515-103.0	Spare parts set wheel cap	1.000	ST	0000000000	0000000000		SET OF 2 PIECES
	<b>Item text1:</b> 1.150-610.0 / -611.0 /-616.0							
16	5.044-216.0	Holder	1.000	ST	0000000000	0000000000		
17	7.303-108.0	Screw 5x20 -10.9-R2R (In6Rd)	10.000	ST	0000000000	0000000000		

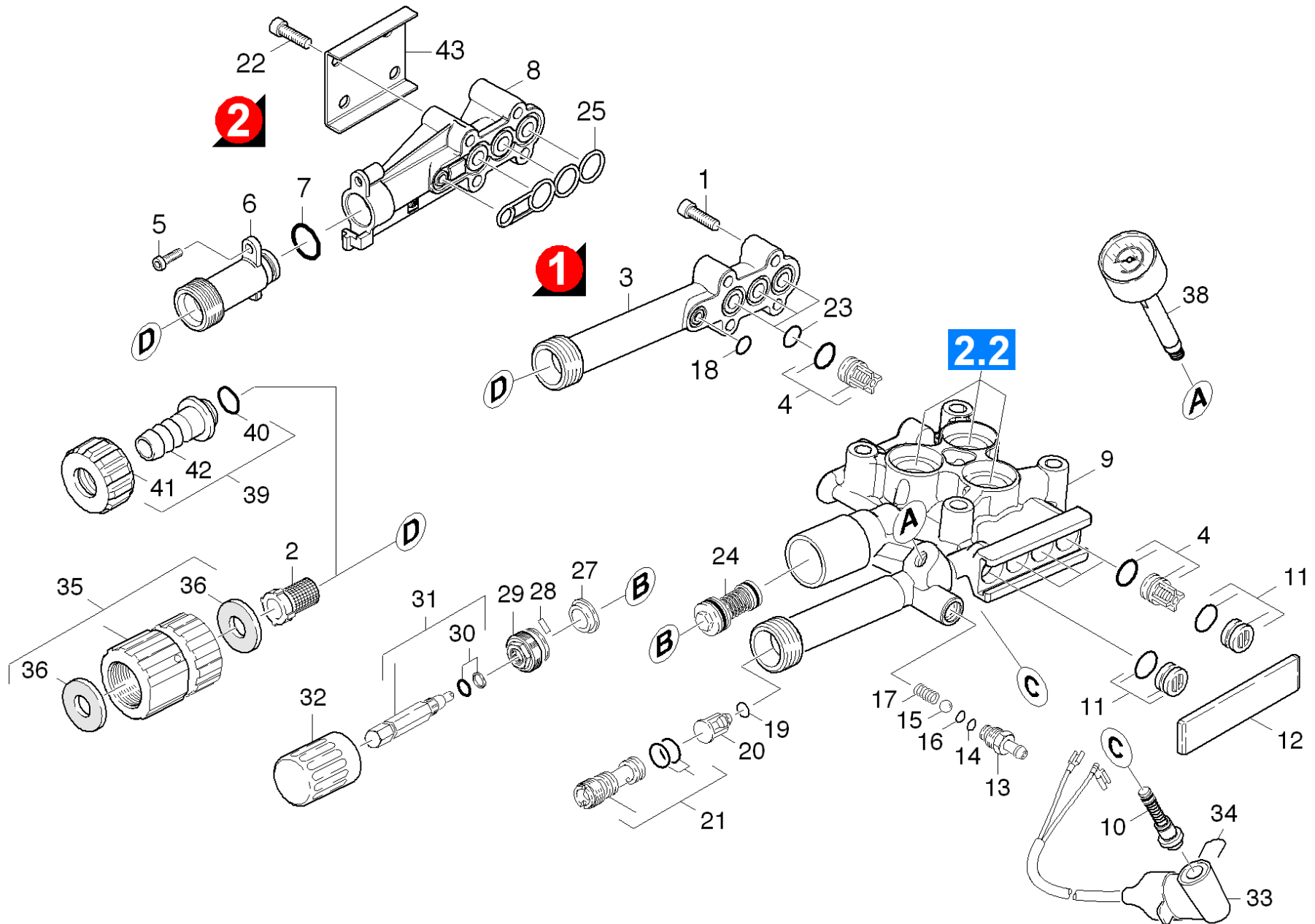
## 10 Housing

POS	Article no.	Description	Quantity	Unit	Serial number from	Serial number to	Remark	Foot note text
18	6.388-216.0	Hose DN 5	1.000	M	0000000000	0000000000		TO ORDER AS CUT GOODS
19	7.312-260.0	Washer 6 -100HV- A3E ISO 7094	1.000	ST	0000000000	0000000000		
20	5.731-652.0	Filter with weight	1.000	ST	0000000000	0000000000		
21	5.032-555.0	Guide	2.000	ST	0000000000	0000000000		
22	5.057-062.0	Support	2.000	ST	0000000000	0000000000		
	<b>Item text1:</b> 1.150-610.0 / -611.0 /-616.0							
22	5.057-077.0	Support	2.000	ST				
	<b>Item text1:</b> 1.150-614.0 /							
23	6.343-168.0	Lock washer	2.000	ST	0000000000	0000000000		
24	7.303-046.0	Screw M6x12 -St- R3R (In6Rd)	2.000	ST	0000000000	0000000000		
25	5.037-170.0	Hook	1.000	ST	0000000000	0000000000		
26	5.064-217.0	Cover air inlet	1.000	ST	0000000000	0000000000		
27	5.107-248.0	Bar shearing shackle	2.000	ST				
29	7.311-088.0	Hexagon nut M10-8-A2K EN 1664	1.000	ST			( M10 )	

20 Pump set

---

<b>POS</b>	<b>Description</b>	<b>Quantity</b>	<b>Unit</b>
21	Cylinder head	1.000	ST
22	Thrust guidance	1.000	ST



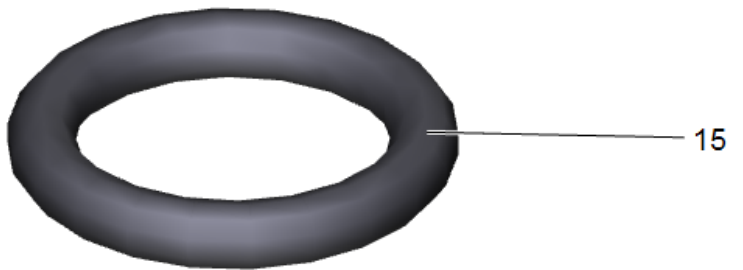
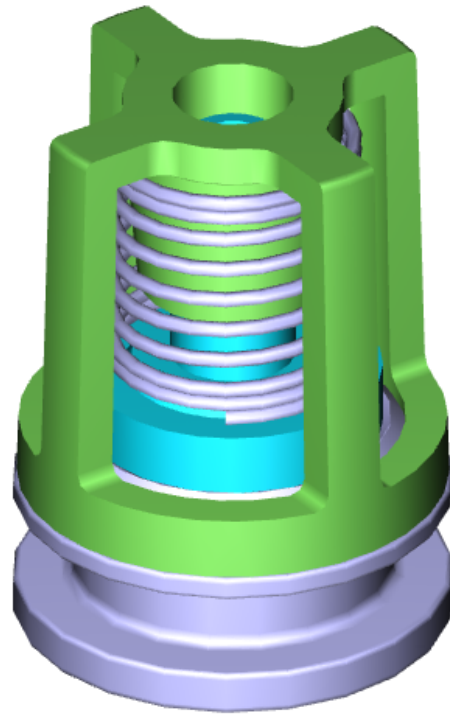


## 21 Cylinder head

POS	Article no.	Description	Quantity	Unit
1	7.306-105.0	Screw M6x30 -8.8-R3R (In6Rd)	4.000	ST
2	6.414-252.0	Strainer	1.000	ST
3	5.064-150.0	Suction cover	1.000	ST
4	2.884-916.0	Valve (3 Stück)	2.000	ST
5	7.303-108.0	Screw 5x20 -10.9-R2R (In6Rd)	1.000	ST
6	5.402-727.0	Suction nipple	1.000	ST
7	6.362-481.0	O-Ring seal 14,0 x 2,0 NBR 80	1.000	ST
8	5.064-230.0	Suction cover	1.000	ST
9	5.550-324.0	Cylinder head	1.000	ST
10	2.884-501.0	Spare part set control piston	1.000	ST
11	4.132-007.0	Drain plug only for replacement	4.000	ST
12	5.003-062.0	Plate	1.000	ST
13	5.443-624.0	Nipple	1.000	ST
14	6.362-113.0	O-Ring seal 6,0 x 2,0 NBR 70	1.000	ST
15	7.401-908.0	Sphere 7 G300 -1.4301 DIN 5401	1.000	ST
16	6.363-597.0	O-Ring seal 5,28 x 1,78	1.000	ST
17	5.332-258.0	Helical spring	1.000	ST
18	6.362-384.0	O-Ring seal 9x1,5 - NBR 70	1.000	ST
19	6.363-613.0	O-Ring seal 4 x 2 -NBR90	1.000	ST
20	5.584-091.0	Valve pin check valve	1.000	ST
21	4.769-034.0	Nozzle insert only for replacement	1.000	ST
22	7.306-129.0	Screw M6x40 -8.8-R3R (In6Rd)	4.000	ST
23	6.362-533.0	O-Ring seal 14,0 X 1,5-NBR 70	3.000	ST
24	4.591-038.0	Overflow valve	1.000	ST
25	5.365-284.0	Profile gasket	1.000	ST
27	5.110-630.0	Sleeve	1.000	ST
28	7.314-629.0	Grooved pin 2x10 -A1 ISO 8742	1.000	ST
29	5.583-147.0	Valve screw	1.000	ST
30	6.362-468.0	O-Ring seal complete 1ST.-R.	1.000	ST
31	4.291-014.0	Spindle complete	1.000	ST
32	5.321-307.0	Handhold	1.000	ST
33	4.744-242.0	Switch kpl. -nur für Ersatz-	1.000	ST
<b>Item text1:</b> 1.150-616.0				

## 21 Cylinder head

POS	Article no.	Description	Quantity	Unit
33	4.744-193.0	Switch complete	1.000	ST
	<b>Item text1:</b> 1.150-610.0 /-611.0 /-614.0 /			
34	5.034-494.0	Retaining bracket	1.000	ST
35	4.401-059.0	Screw connector part	1.000	ST
36	5.364-129.0	Flat gasket	1.000	ST
38	6.421-349.0	Pressure gauge 0-30 MPa	1.000	ST
	<b>Item text1:</b> /1.150-610.0			
38	6.421-320.0	Pressure gauge 0-15 MPa	1.000	ST
	<b>Item text1:</b> /1.150-611.0 / -614.0 /-616.0 /			
39	4.401-070.0	Screw connector part neutrally * AUS	1.000	ST
	<b>Item text1:</b> 1.150-616.0			
40	6.362-078.0	O-Ring seal 13,3x2,4	1.000	ST
	<b>Item text1:</b> 1.150-616.0			
41	5.310-065.0	Nut	1.000	ST
	<b>Item text1:</b> 1.150-616.0			
42	5.443-229.0	Hose stem	1.000	ST
	<b>Item text1:</b> 1.150-616.0			
43	5.005-314.0	Plate suction cover	1.000	ST
100	2.883-997.0	PUMP SET HD 5/12 C	1.000	ST

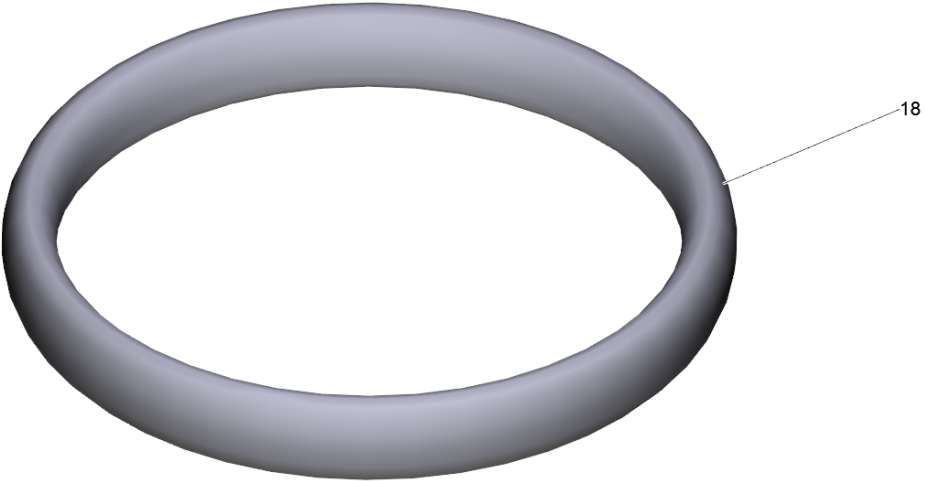
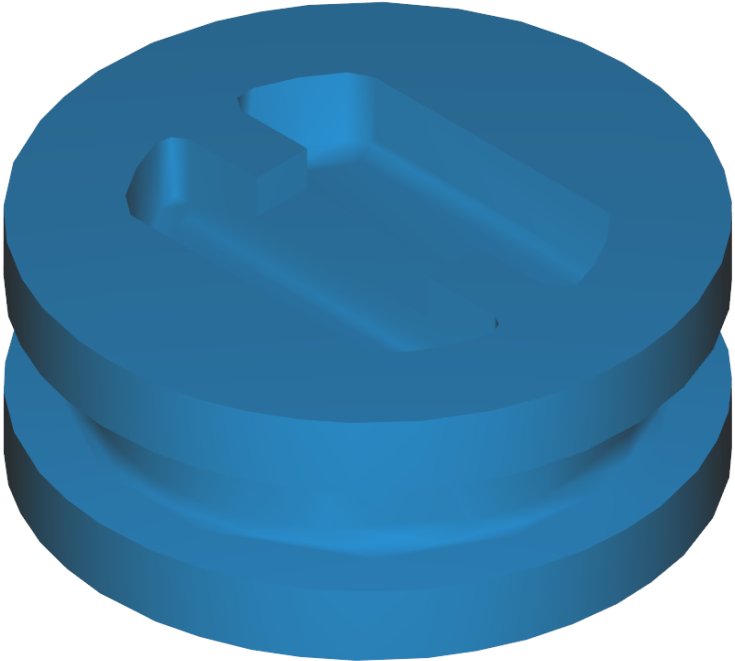


4 Valve (3 Stück) (2.884-916.0)

---

<b>POS</b>	<b>Article no.</b>	<b>Description</b>	<b>Quantity</b>	<b>Unit</b>
15	6.362-077.0	O-Ring seal 10 x 2,2 NBR 70	1.000	ST

---

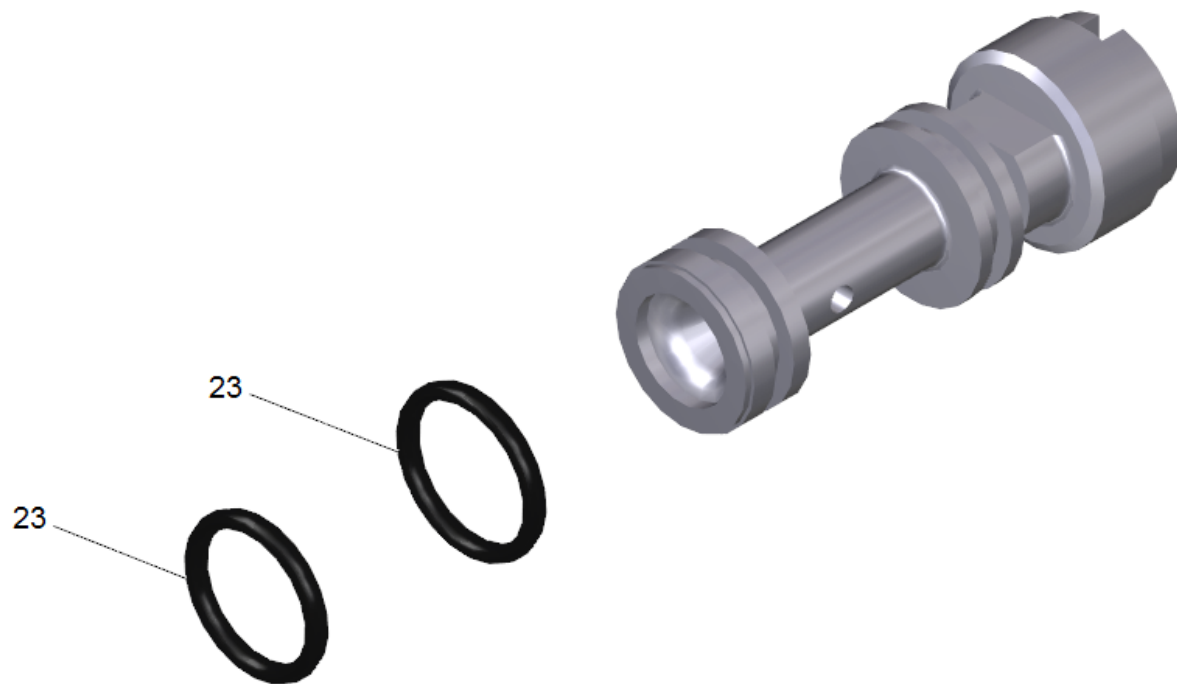


11 Drain plug only for replacement (4.132-007.0)

---

<b>POS</b>	<b>Article no.</b>	<b>Description</b>	<b>Quantity</b>	<b>Unit</b>
18	6.362-458.0	O-Ring seal 11,0x2,0-NBR 70	1.000	ST

---

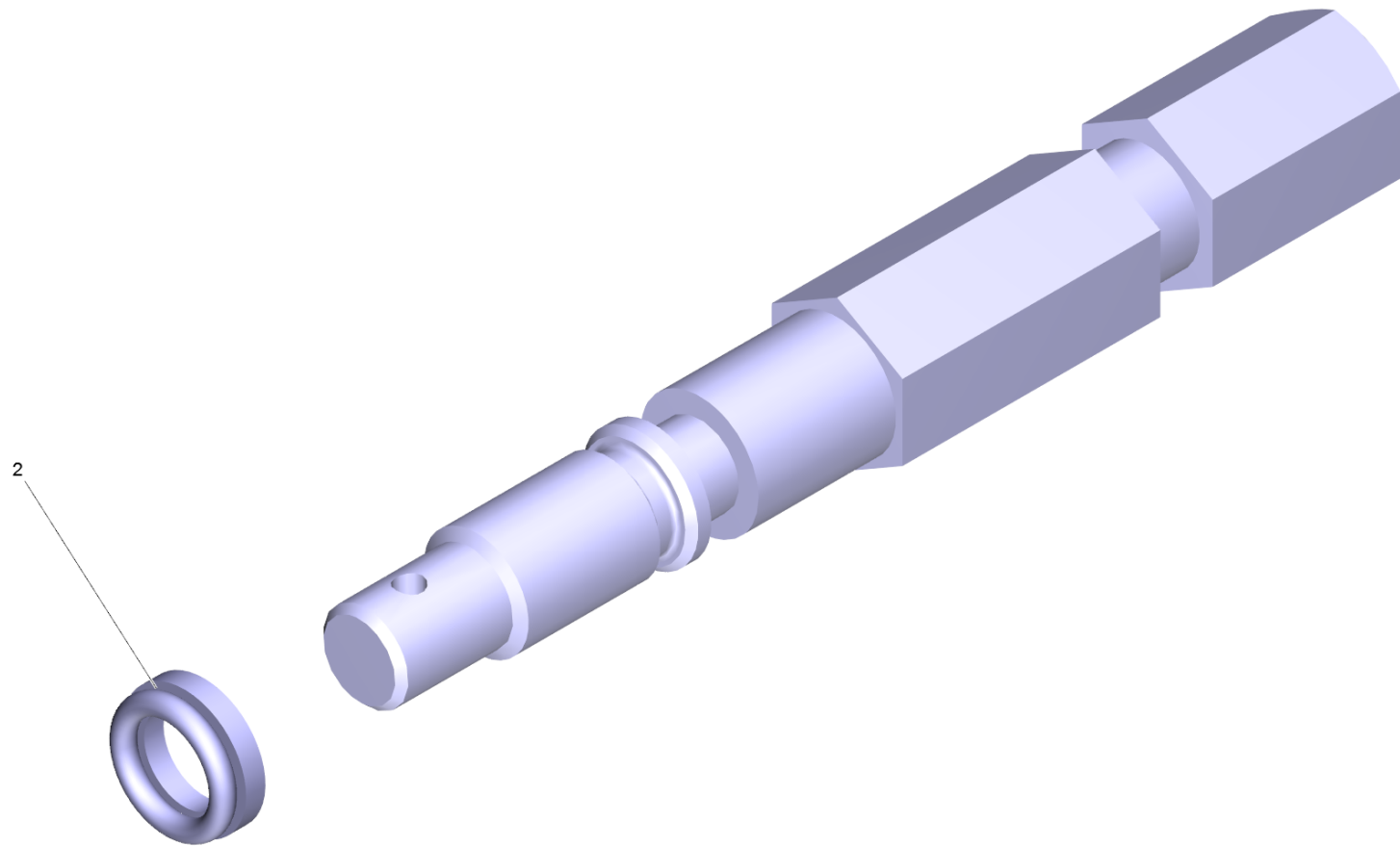


21 Nozzle insert only for replacement (4.769-034.0)

---

<b>POS</b>	<b>Article no.</b>	<b>Description</b>	<b>Quantity</b>	<b>Unit</b>
23	6.362-384.0	O-Ring seal 9x1,5 - NBR 70	2.000	ST





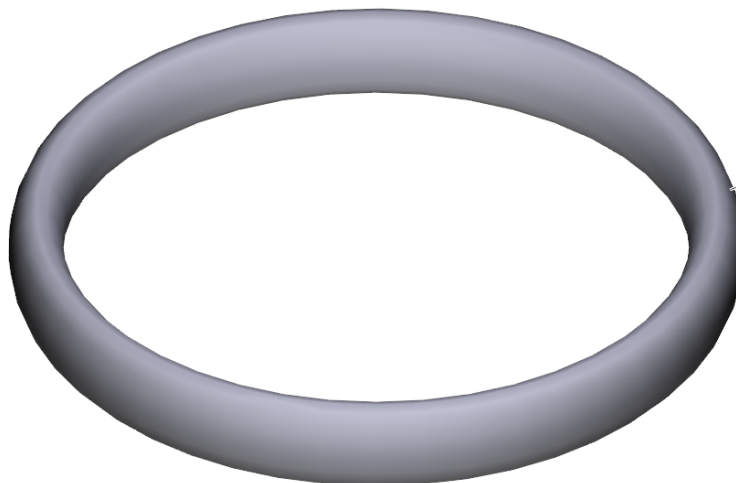
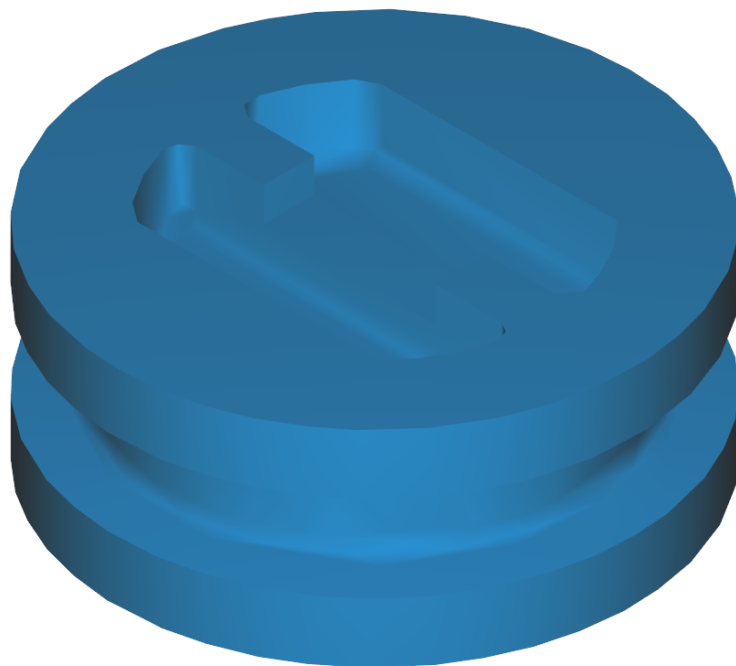
31 Spindle complete (4.291-014.0)

---

<b>POS</b>	<b>Article no.</b>	<b>Description</b>	<b>Quantity</b>	<b>Unit</b>
2	6.362-468.0	O-Ring seal complete 1ST.-R.	1.000	ST

100 PUMP SET HD 5/12 C (2.883-997.0)

POS	Article no.	Description	Quantity	Unit	Serial number from	Serial number to
10	4.132-007.0	Drain plug only for replacement	4.000	ST	0000000000	0000000000
20	4.580-311.0	Valve complete	6.000	ST	0000000000	0000000000
30	5.112-726.0	Bush	3.000	ST	0000000000	0000000000
40	5.115-721.0	Washer	3.000	ST	0000000000	0000000000
50	5.116-093.0	Washer	3.000	ST	0000000000	0000000000
60	6.288-072.0	Silicon grease	1.000	ST	0000000000	0000000000
70	6.362-376.0	O-Ring seal 24,0 X 1,5	3.000	ST	0000000000	0000000000
80	6.362-384.0	O-Ring seal 9x1,5 - NBR 70	1.000	ST	0000000000	0000000000
90	6.362-533.0	O-Ring seal 14,0 X 1,5-NBR 70	3.000	ST	0000000000	0000000000
100	6.365-393.0	Oil sealing 12x20x4/6	3.000	ST	0000000000	0000000000
110	6.365-477.0	Grooved ring 12x20x5,3/2,8	6.000	ST	0000000000	0000000000



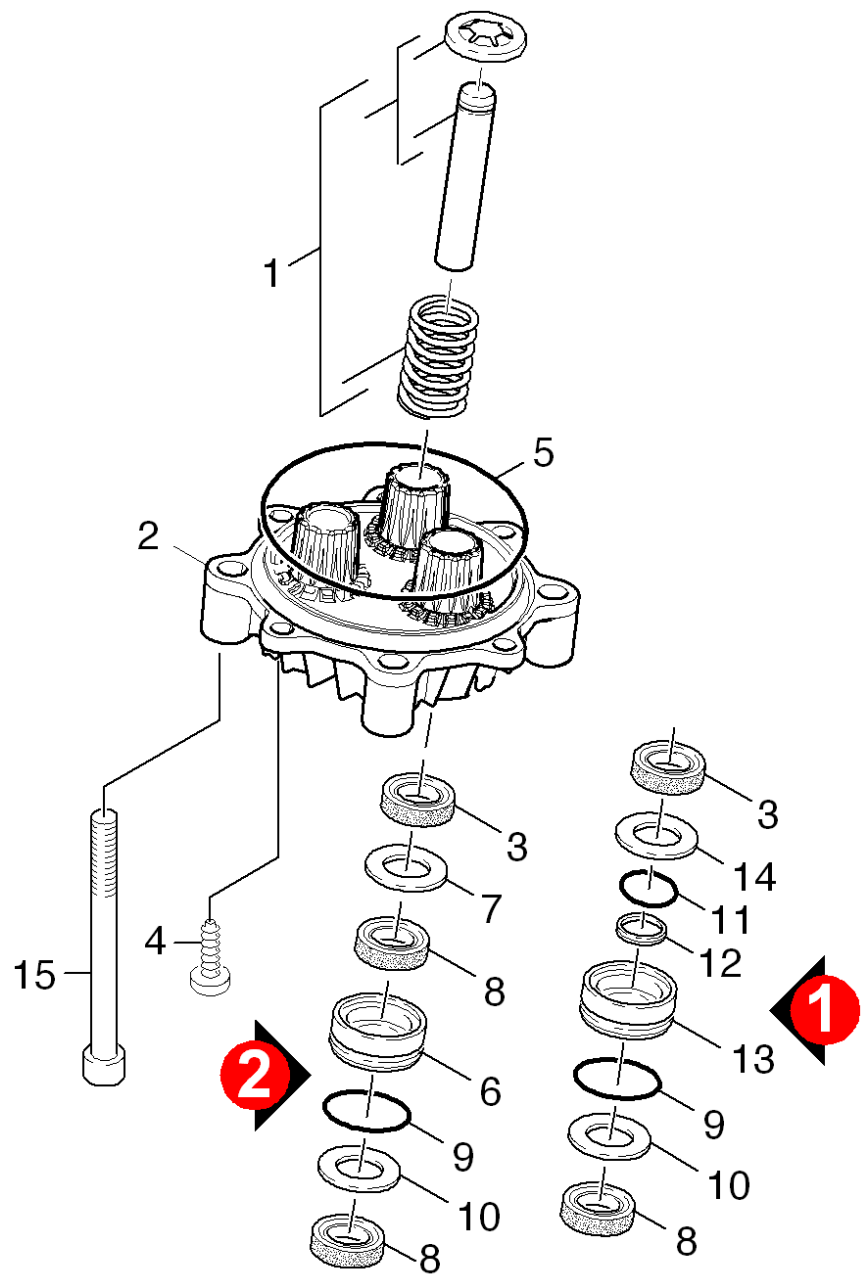
18

10 Drain plug only for replacement (4.132-007.0)

---

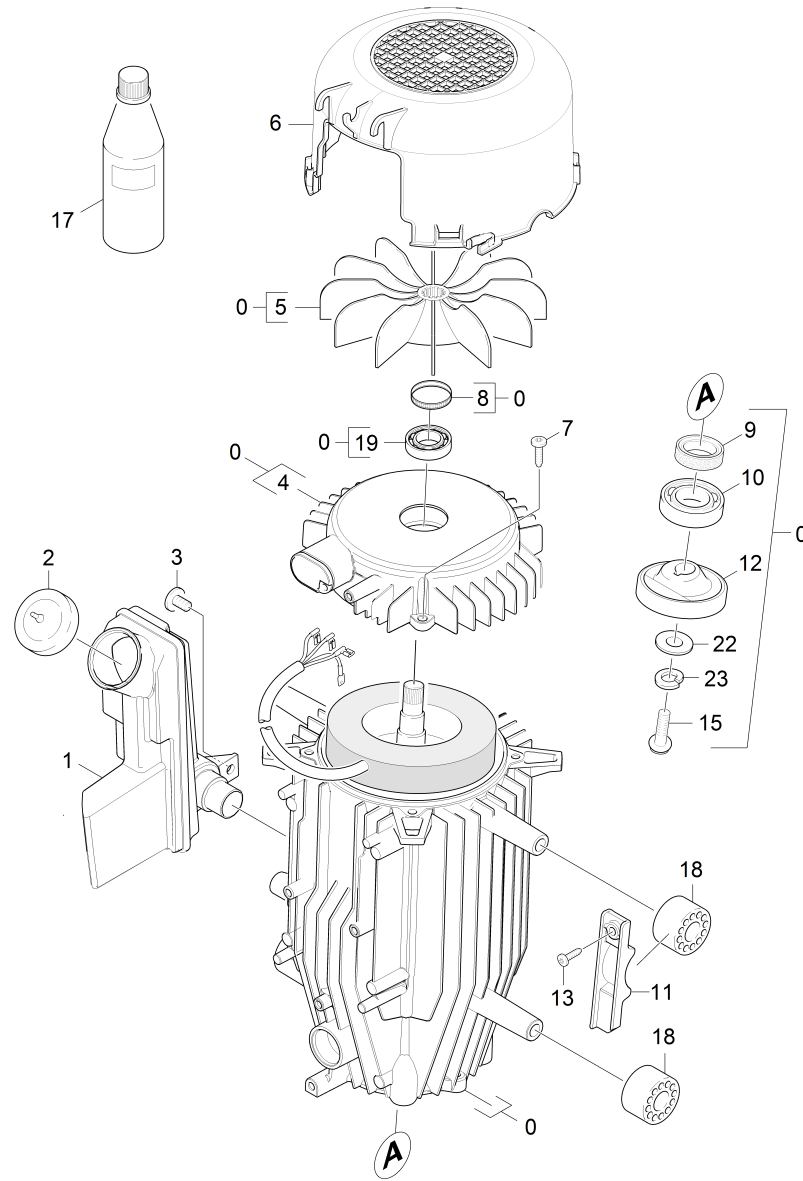
<b>POS</b>	<b>Article no.</b>	<b>Description</b>	<b>Quantity</b>	<b>Unit</b>
18	6.362-458.0	O-Ring seal 11,0x2,0-NBR 70	1.000	ST

---



## 22 Thrust guidance

POS	Article no.	Description	Quantity	Unit
1	4.553-231.0	Piston complete only for replacement	3.000	ST
	<b>Item text1:</b> /1.150-610.0			
1	4.553-265.0	Piston complete only for replacement	3.000	ST
	<b>Item text1:</b> /1.150-611.0 / -614.0 /-616.0 /			
2	5.061-018.0	Thrust guidance	1.000	ST
3	6.365-001.0	Grooved ring 12x20x4/6	3.000	ST
4	7.303-047.0	Screw M6x16 -St-R3R (In6Rd)	2.000	ST
5	6.363-252.0	O-Ring seal 75,87 x 2,62	1.000	ST
6	5.112-726.0	Bush	3.000	ST
	<b>Item text1:</b> 1.150-610.0 / -611.0 /-616.0			
7	5.116-093.0	Washer	3.000	ST
	<b>Item text1:</b> 1.150-610.0 / -611.0 /-616.0			
8	6.365-477.0	Grooved ring 12x20x5,3/2,8	6.000	ST
	<b>Item text1:</b> 1.150-610.0 / -611.0 /-616.0			
9	6.362-376.0	O-Ring seal 24,0 X 1,5	3.000	ST
10	5.115-721.0	Washer	3.000	ST
11	6.363-402.0	O-Ring seal 11x3 NBR	3.000	ST
	<b>Item text1:</b> 1.150-614.0 /			
12	5.362-012.0	Joint ring D 12	3.000	ST
	<b>Item text1:</b> 1.150-614.0 /			
13	5.112-825.0	Bush	3.000	ST
	<b>Item text1:</b> 1.150-614.0 /			
14	5.116-335.0	Washer	3.000	ST
	<b>Item text1:</b> 1.150-614.0 /			
15	7.306-106.0	Cylinder head screw M8x70 -8.8-A2E ISO4	4.000	ST





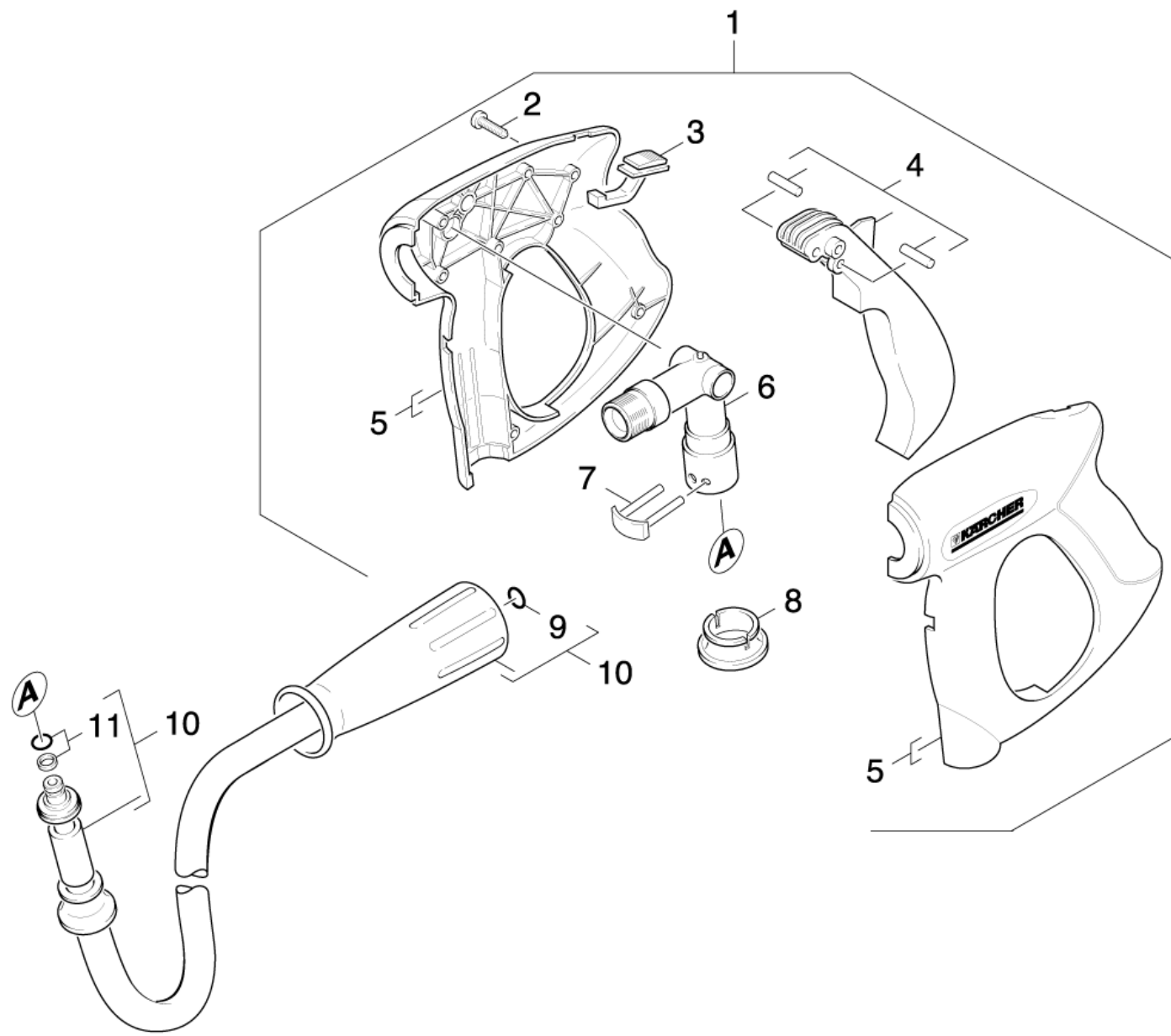
## 30 Motor

POS	Article no.	Description	Quantity	Unit
0	4.623-858.0	Motor complete only for replacement	1.000	ST
	<b>Item text1:</b> /1.150-611.0 / -614.0 /-616.0 /			
0	4.623-853.0	Motor complete only for replacement	1.000	ST
	<b>Item text1:</b> /1.150-610.0			
1	5.070-639.0	Tank oil	1.000	ST
2	5.064-457.0	Cover qusty grey SAE 90	1.000	ST
	<b>Item text1:</b> 1.150-610.0 /-616.0			
2	5.064-367.0	Cover oil	1.000	ST
	<b>Item text1:</b> 1.150-611.0 /-614.0			
3	6.303-153.0	Screw M5x15-ST-R2R (IN6RD)	1.000	ST
4	5.064-197.0	Bearing cover B	1.000	ST
5	5.600-060.0	Blower wheel	1.000	ST
6	5.692-081.0	Air circulation	1.000	ST
7	6.303-320.0	Screw M 5x 20-St-R2R	4.000	ST
8	6.343-015.0	Tolerance ring 35X6	1.000	ST
9	7.367-001.0	Radial shaft seal ring A24x37x7 -NBR DI	1.000	ST
10	6.401-410.0	Angular contact ball bearing	1.000	ST
11	5.802-288.0	Mounting part	2.000	ST
12	4.120-219.0	Wobble plate complete	1.000	ST
	<b>Item text1:</b> /1.150-611.0 / -614.0 /-616.0 /			
12	4.120-216.0	Wobble plate	1.000	ST
	<b>Item text1:</b> /1.150-610.0			
13	7.303-108.0	Screw 5x20 -10.9-R2R (In6Rd)	2.000	ST
15	7.306-042.0	Cylinder head screw M8x25 -8.8-A2E ISO4	1.000	ST
17	6.288-219.0	Engine oil 1 L	1.000	ST
	<b>Item text1:</b> /1.150-611.0 / -614.0 /-616.0 /			
17	6.288-050.0	Engine oil 1L	1.000	ST
	<b>Item text1:</b> /1.150-610.0			
18	5.767-005.0	Rubber buffer	4.000	ST
19	7.401-128.0	Ball bearing 6202-2RS -Wälzl.St DIN 625	1.000	ST
22	7.312-277.0	Washer 8-200HV-A2E ISO7093-1	1.000	ST
23	7.313-004.0	Spring washer B 8-FSt-A3E DIN 127	1.000	ST

## 40 Accessories

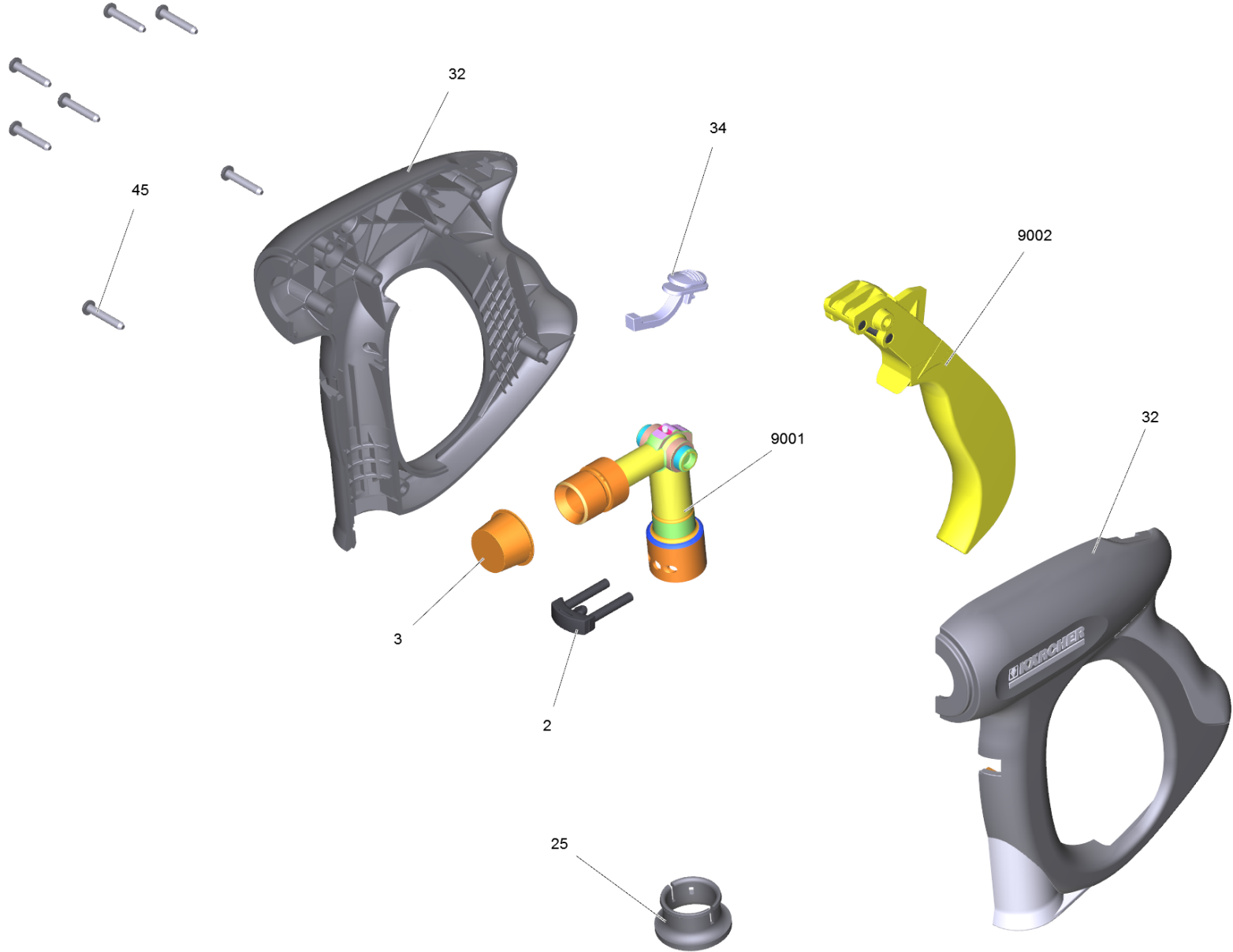
---

POS	Description	Quantity	Unit	Remark
41	Hand trigger gun	1.000	ST	
42	Jet pipe	1.000	ST	
43	Nozzle	1.000	ST	VERSION 1
44	Nozzle	1.000	ST	VERSION 2



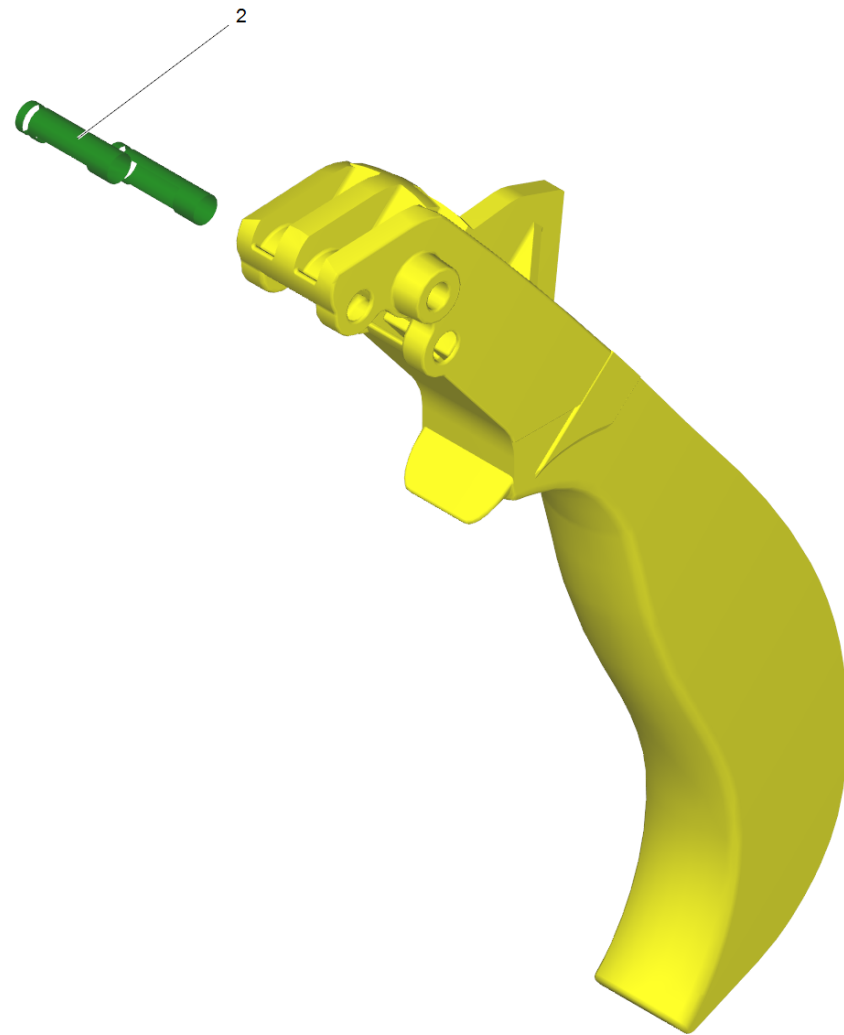
## 41 Hand trigger gun

POS	Article no.	Description	Quantity	Unit	Serial number from	Serial number to
1	4.775-463.0	HAND TRIGGER GUN EASY PRESS	1.000	ST		
2	7.303-096.0	Screw 4x22 -ST-10.9-R2R (IN6RD)	7.000	ST	0000000000	0000000000
3	5.481-331.0	Slider	1.000	ST	0000000000	0000000000
4	4.481-209.0	Lever complete	1.000	ST	0000000000	0000000000
5	5.321-669.0	Handhold few	1.000	ST	0000000000	0000000000
6	4.427-215.0	Manifold complete only for replacement	1.000	ST	0000000000	0000000000
7	4.037-013.0	Hook	1.000	ST	0000000000	0000000000
8	5.110-596.0	Sleeve	1.000	ST	0000000000	0000000000
9	2.880-990.0	Spare part set O-Ring 5x -Kaercher	1.000	ST	0000000000	0000000000
10	6.390-025.0	Hose assembly DN8 max.31,5MPa 10m	1.000	ST	0000000000	0000000000
	<b>Item text1:</b> 1.150-610.0 / -611.0 /-616.0					
10	6.391-654.0	Hose assembly standard hygiene 15m DN6 2	1.000	ST		
	<b>Item text1:</b> 1.150-614.0 /					
11	4.363-691.0	O-Ring seal kpl. -nur fuer Ersatz-	1.000	ST	0000000000	0000000000



1 HAND TRIGGER GUN EASY PRESS (4.775-463.0)

POS	Article no.	Description	Quantity	Unit
2	4.037-013.0	Hook	1.000	ST
3	6.368-012.0	Protecting cap 22X1,5	1.000	ST
4	6.869-075.0	Metal bonding agent 1 ml	1.000	ST
25	5.110-596.0	Sleeve	1.000	ST
32	5.321-669.3	Handhold few	1.000	ST
34	5.481-331.0	Slider	1.000	ST
45	7.303-096.0	Screw 4x22 -ST-10.9-R2R (IN6RD)	7.000	ST
1041	6.288-044.0	Silicon grease 100 G	1.000	ST
9001	4.427-215.0	Manifold complete only for replacement	1.000	ST
9002	4.481-209.0	Lever complete	1.000	ST



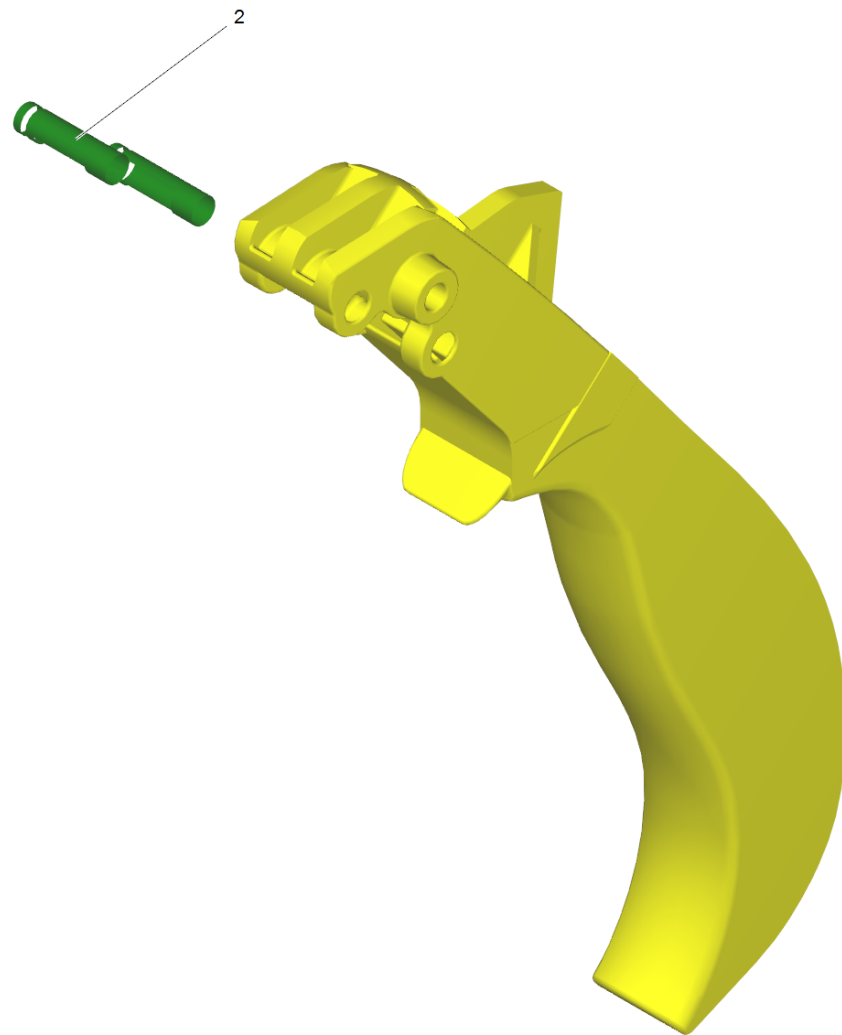
9002 Lever complete (4.481-209.0)

---

<b>POS</b>	<b>Article no.</b>	<b>Description</b>	<b>Quantity</b>	<b>Unit</b>
2	5.314-119.0	Pin	2.000	ST

---

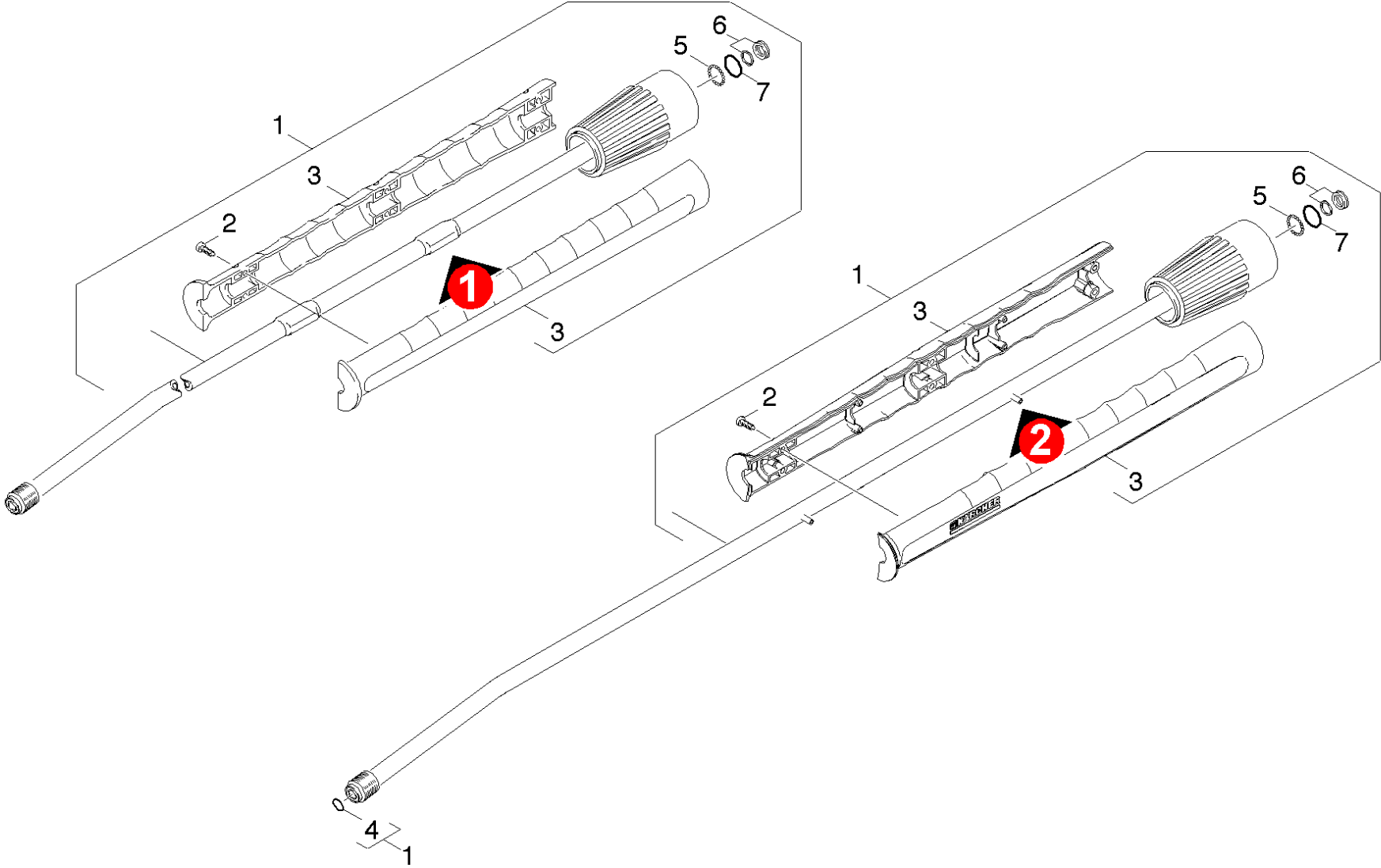




4 Lever complete (4.481-209.0)

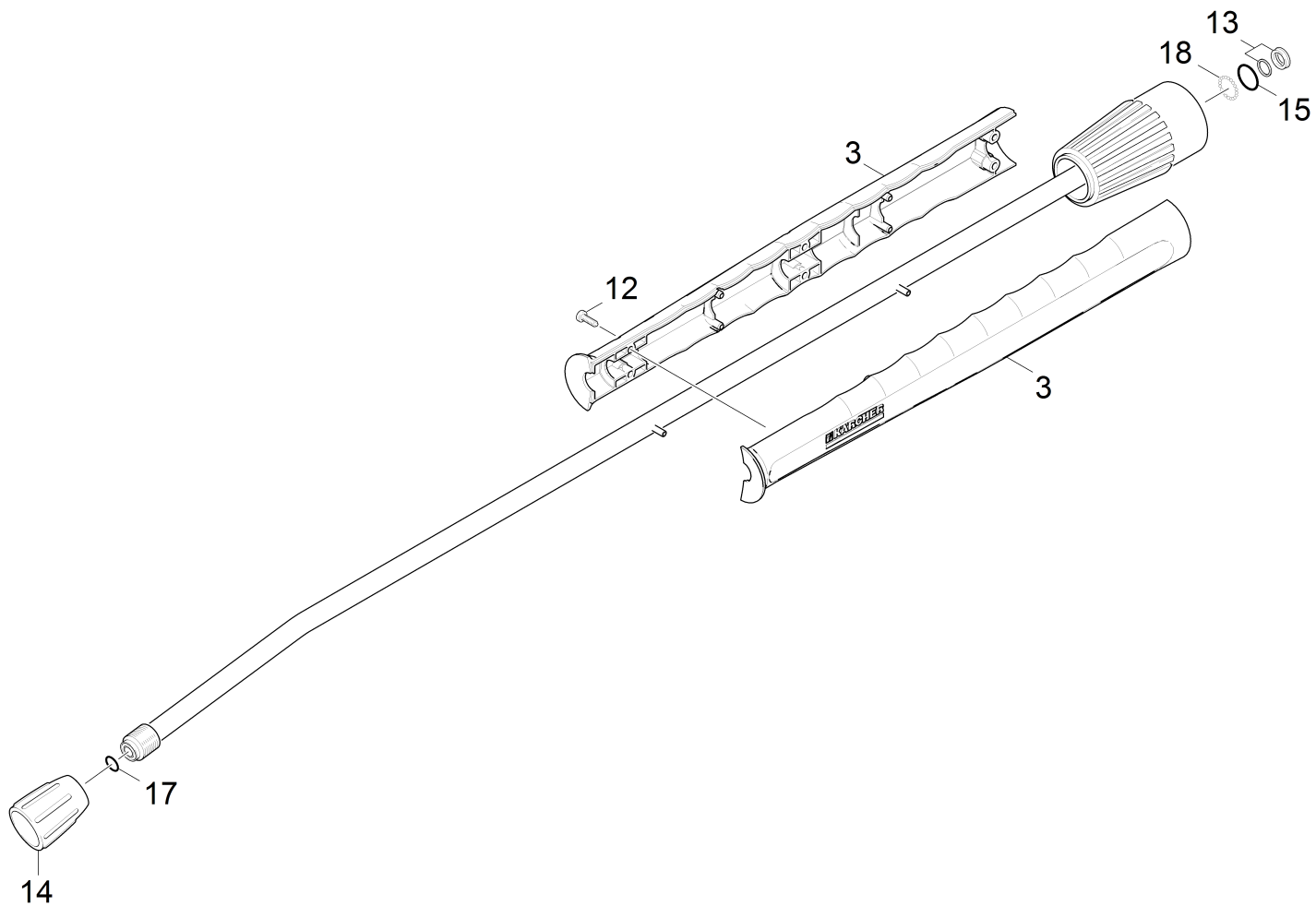
---

POS	Article no.	Description	Quantity	Unit
2	5.314-119.0	Pin	2.000	ST



## 42 Jet pipe

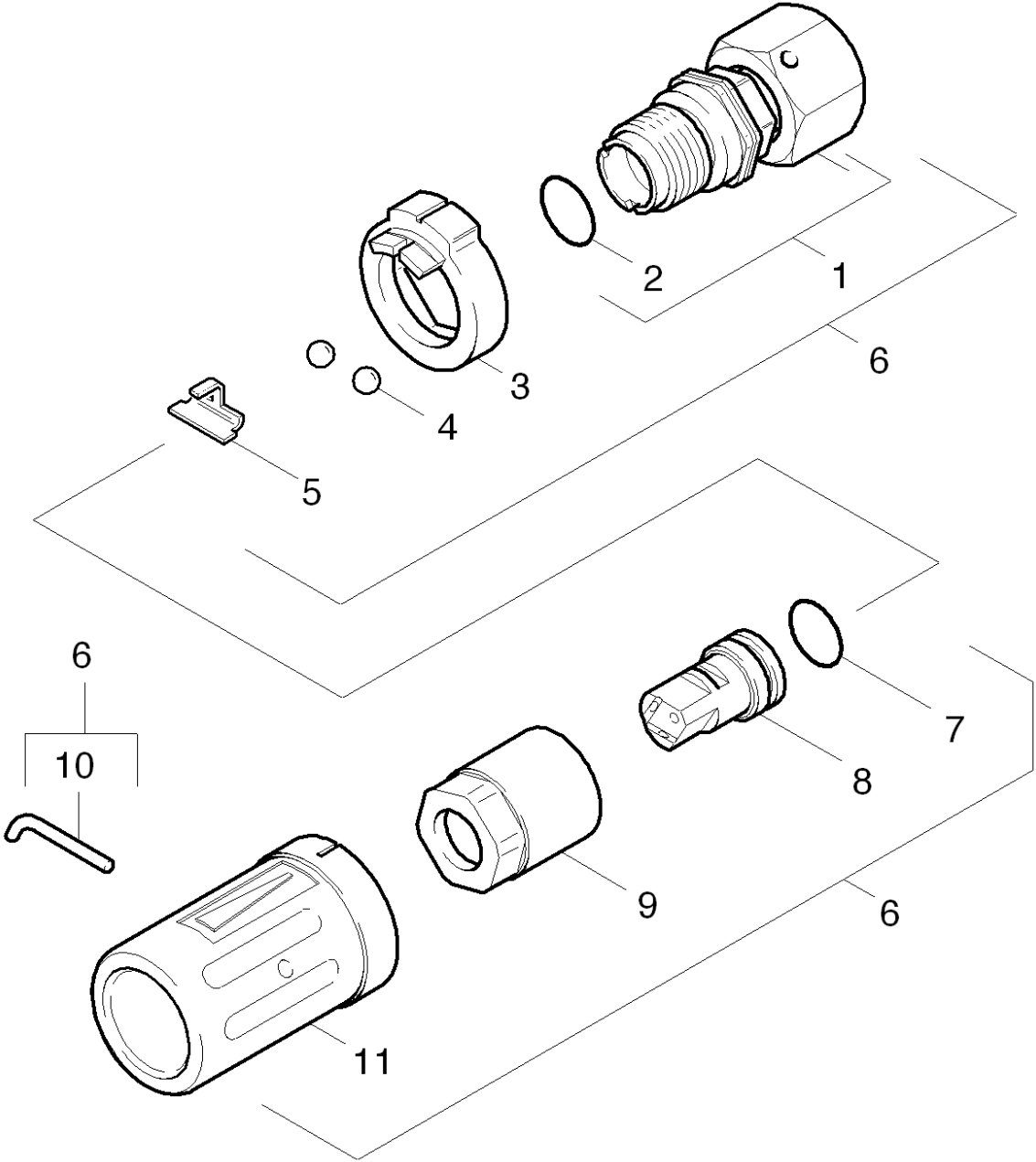
POS	Article no.	Description	Quantity	Unit	Serial number from	Serial number to	Remark
1	4.760-663.0	Jet pipe packaged only for replacement	1.000	ST	0000000000	0000000000	
2	7.303-129.0	Screw 4x16 -10.9-R2R (K-In6Rd)	6.000	ST	0000000000	0000000000	
3	5.321-855.0	Handhold few jet pipe with welding bolt	1.000	ST			VERSION 2
3	5.321-691.0	Handhold few jet pipe	1.000	ST	0000000000	0000000000	VERSION 1
4	2.880-990.0	Spare part set O-Ring 5x -Kaercher	1.000	ST	0000000000	0000000000	
5	7.401-915.0	Sphere 2,5 G20 -1.4034 DIN 5401	20.000	ST	0000000000	0000000000	
6	4.363-692.0	Grooved ring kpl. -nur fuer Ersatz-	1.000	ST	0000000000	0000000000	
7	6.362-524.0	O-Ring seal 17,0 X 1,5	1.000	ST	0000000000	0000000000	



1 Jet pipe packaged only for replacement (4.760-663.0)

---

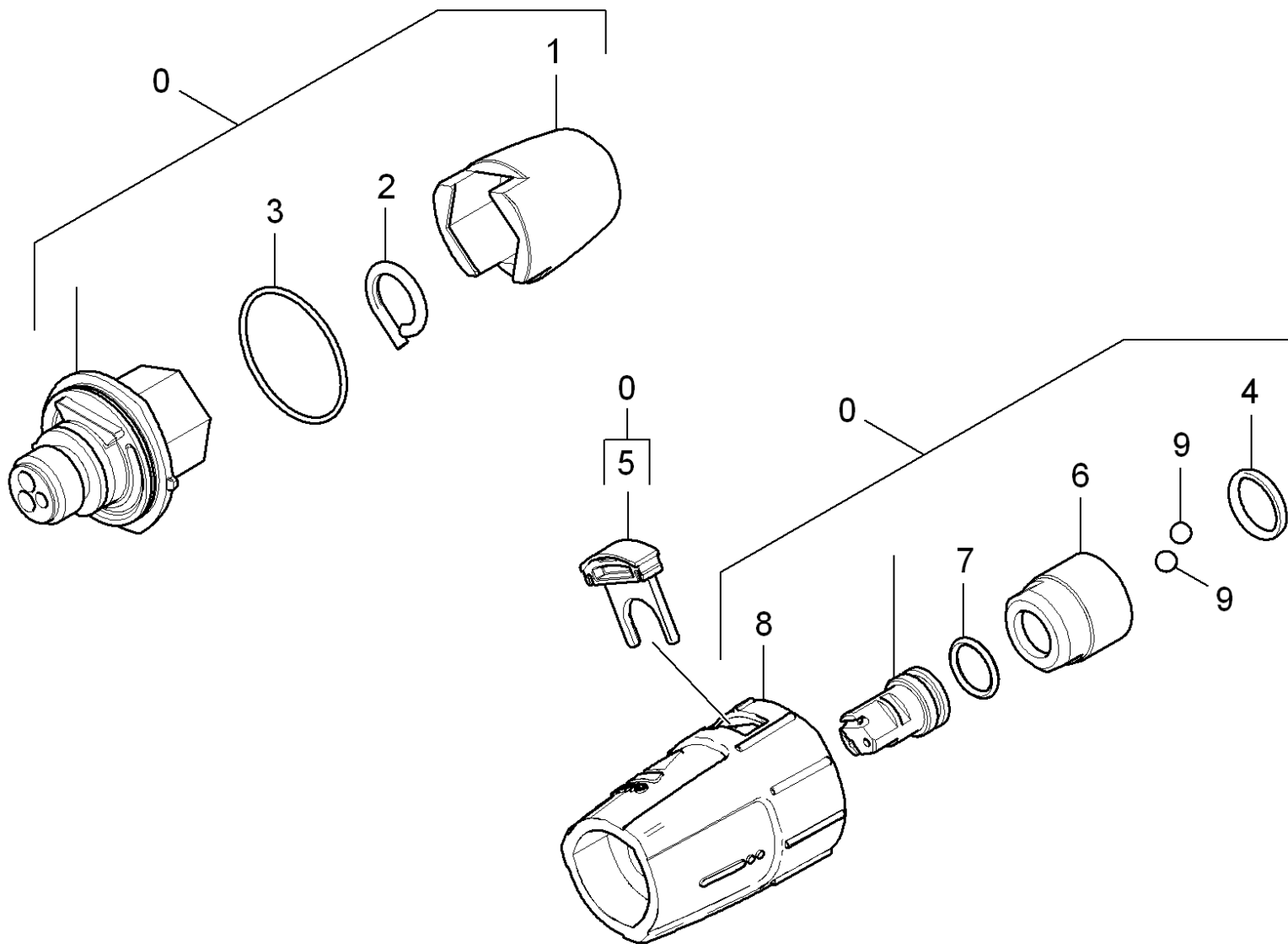
POS	Article no.	Description	Quantity	Unit
3	5.321-855.0	Handhold few jet pipe with welding bolt	1.000	ST
12	7.303-129.0	Screw 4x16 -10.9-R2R (K-In6Rd)	6.000	ST
13	4.363-692.0	Grooved ring kpl. -nur fuer Ersatz-	1.000	ST
14	5.401-210.0	Screw connector part	1.000	ST
15	6.362-524.0	O-Ring seal 17,0 X 1,5	1.000	ST
17	7.362-501.0	O-Ring seal 10x2 EPDM 70 DIN 3770	1.000	ST
18	7.401-915.0	Sphere 2,5 G20 -1.4034 DIN 5401	20.000	ST



## 43 Nozzle

POS	Article no.	Description	Quantity	Unit	Serial number from	Serial number to
1	4.402-042.0	Screw union	1.000	ST	0000000000	0000000000
2	6.362-460.0	O-Ring seal 14,0 X 2,5-NBR 70	1.000	ST	0000000000	0000000000
3	5.030-528.0	Moulded part	1.000	ST	0000000000	0000000000
4	7.401-902.0	Sphere 5 G20 -1.4034 DIN 5401	2.000	ST	0000000000	0000000000
5	5.042-405.0	Holder	1.000	ST	0000000000	0000000000
6	7.777-999.0	Stockpiling discontinued	1.000	ST		
7	6.362-480.0	O-Ring seal 12,42x 1,78	1.000	ST	0000000000	0000000000
8	5.415-605.0	Triple jet nozzle 043	1.000	ST	0000000000	0000000000
	<b>Item text1:</b> /1.150-610.0					
8	5.415-603.0	Triple jet nozzle 040	1.000	ST		
	<b>Item text1:</b> /1.150-611.0 / -614.0 /-616.0 /					
9	5.311-117.0	Hexagon nut	1.000	ST	0000000000	0000000000
10	5.037-059.0	Hook	1.000	ST	0000000000	0000000000
11	5.394-269.0	Protection part	1.000	ST	0000000000	0000000000





## 44 Nozzle

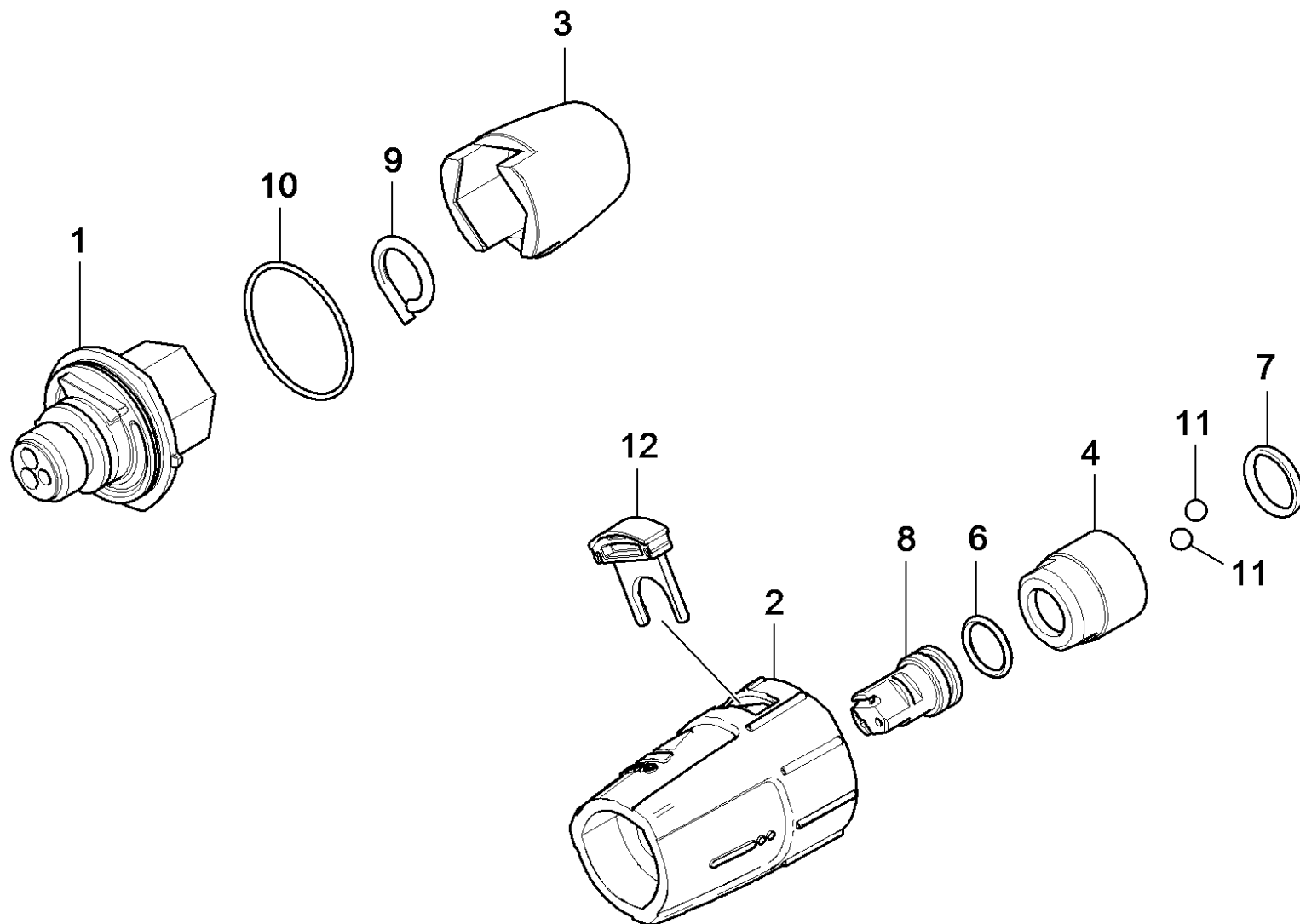
POS	Article no.	Description	Quantity	Unit
0	4.767-152.0	Triple jet nozzle only for replacement 0	1.000	ST
	<b>Item text1:</b> 1.150-610.0 /			
0	4.767-150.0	Triple jet nozzle only for replacement 0	1.000	ST
	<b>Item text1:</b> 1.150-611.0 /-614.0 /-616.0 /			
1	5.394-530.0	Protection part complete	1.000	ST
2	6.343-150.0	Pin 03	1.000	ST
3	6.362-409.0	O-Ring seal 32,0 X 1,5	1.000	ST
4	6.362-460.0	O-Ring seal 14,0 X 2,5-NBR 70	1.000	ST
5	5.321-884.0	Clamp	1.000	ST
6	5.311-225.0	Nut	1.000	ST
7	6.362-480.0	O-Ring seal 12,42x 1,78	1.000	ST
8	5.394-859.0	Protection part	1.000	ST
9	7.401-902.0	Sphere 5 G20 -1.4034 DIN 5401	2.000	ST

Triple jet nozzle only for replacement 0 (4.767-150.0)

---

POS	Description	Quantity	Unit
1	Triple jet nozzle 040	1.000	ST

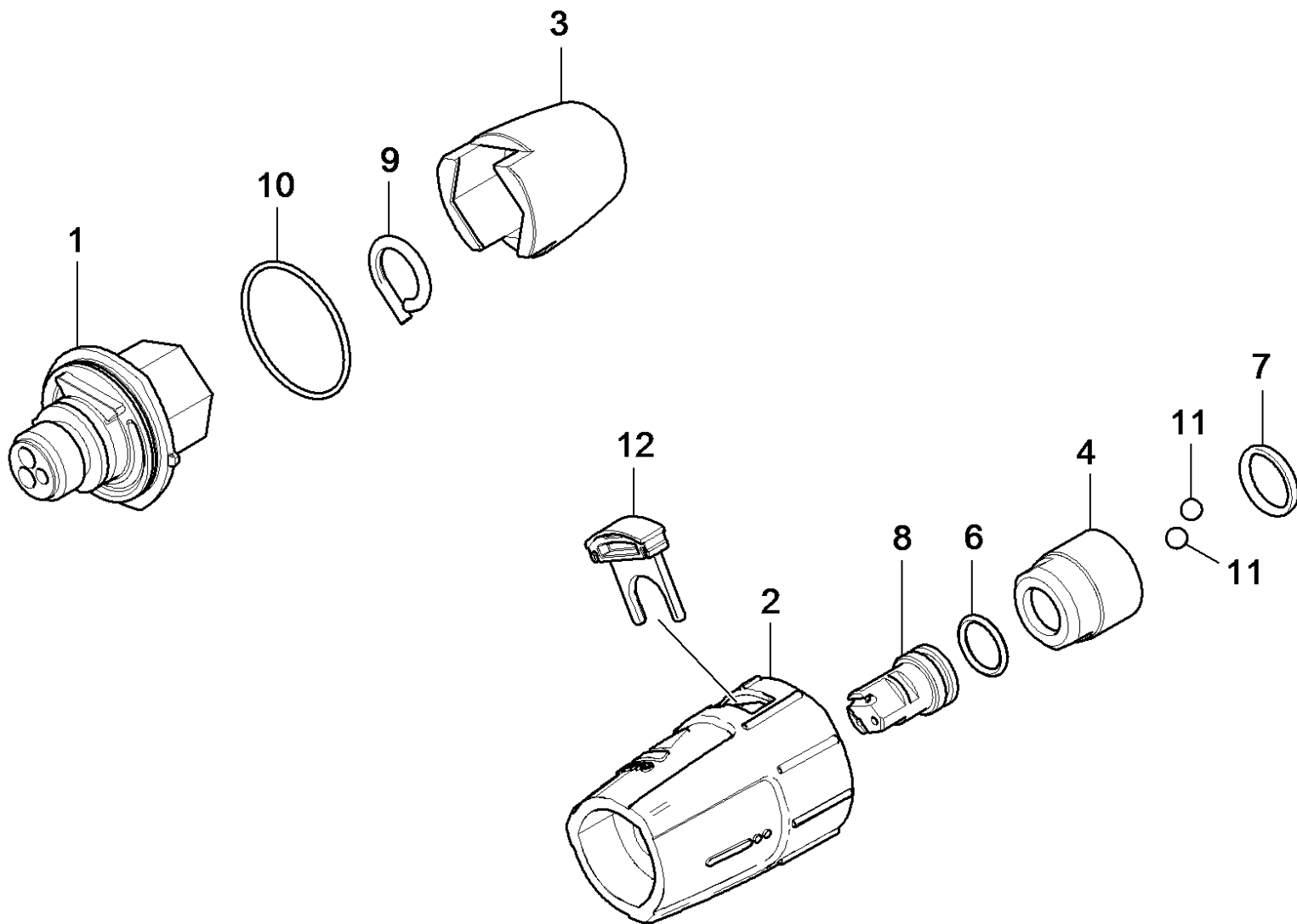
---



## 1 Triple jet nozzle 040

---

POS	Article no.	Description	Quantity	Unit
2	5.394-859.0	Protection part	1.000	ST
3	5.394-530.0	Protection part complete	1.000	ST
4	5.311-225.0	Nut	1.000	ST
6	6.362-480.0	O-Ring seal 12,42x 1,78	1.000	ST
7	6.362-460.0	O-Ring seal 14,0 X 2,5-NBR 70	1.000	ST
8	5.415-603.0	Triple jet nozzle 040	1.000	ST
9	6.343-150.0	Pin 03	1.000	ST
10	6.362-409.0	O-Ring seal 32,0 X 1,5	1.000	ST
11	7.401-902.0	Sphere 5 G20 -1.4034 DIN 5401	2.000	ST
12	5.321-884.0	Clamp	1.000	ST



Triple jet nozzle only for replacement 0 (4.767-152.0)

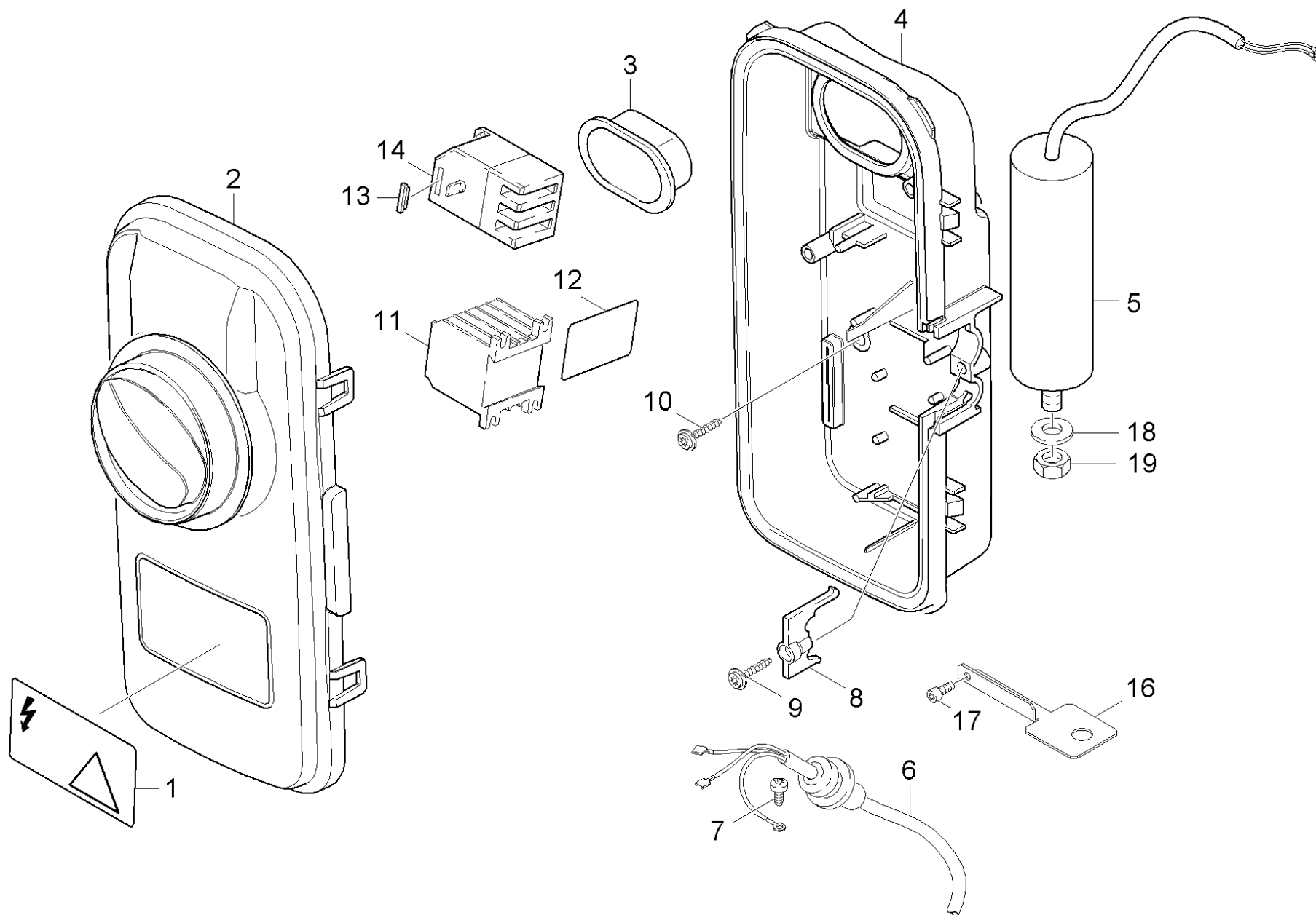
POS	Article no.	Description	Quantity	Unit
1		Distributor	1.000	ST
2	5.394-859.0	Protection part	1.000	ST
3	5.394-530.0	Protection part complete	1.000	ST
4	5.311-225.0	Nut	1.000	ST
6	6.362-480.0	O-Ring seal 12,42x 1,78	1.000	ST
7	6.362-460.0	O-Ring seal 14,0 X 2,5-NBR 70	1.000	ST
8	5.415-605.0	Triple jet nozzle 043	1.000	ST
9	6.343-150.0	Pin 03	1.000	ST
10	6.362-409.0	O-Ring seal 32,0 X 1,5	1.000	ST
11	7.401-902.0	Sphere 5 G20 -1.4034 DIN 5401	2.000	ST
12	5.321-884.0	Clamp	1.000	ST

## 50 Electric box

---

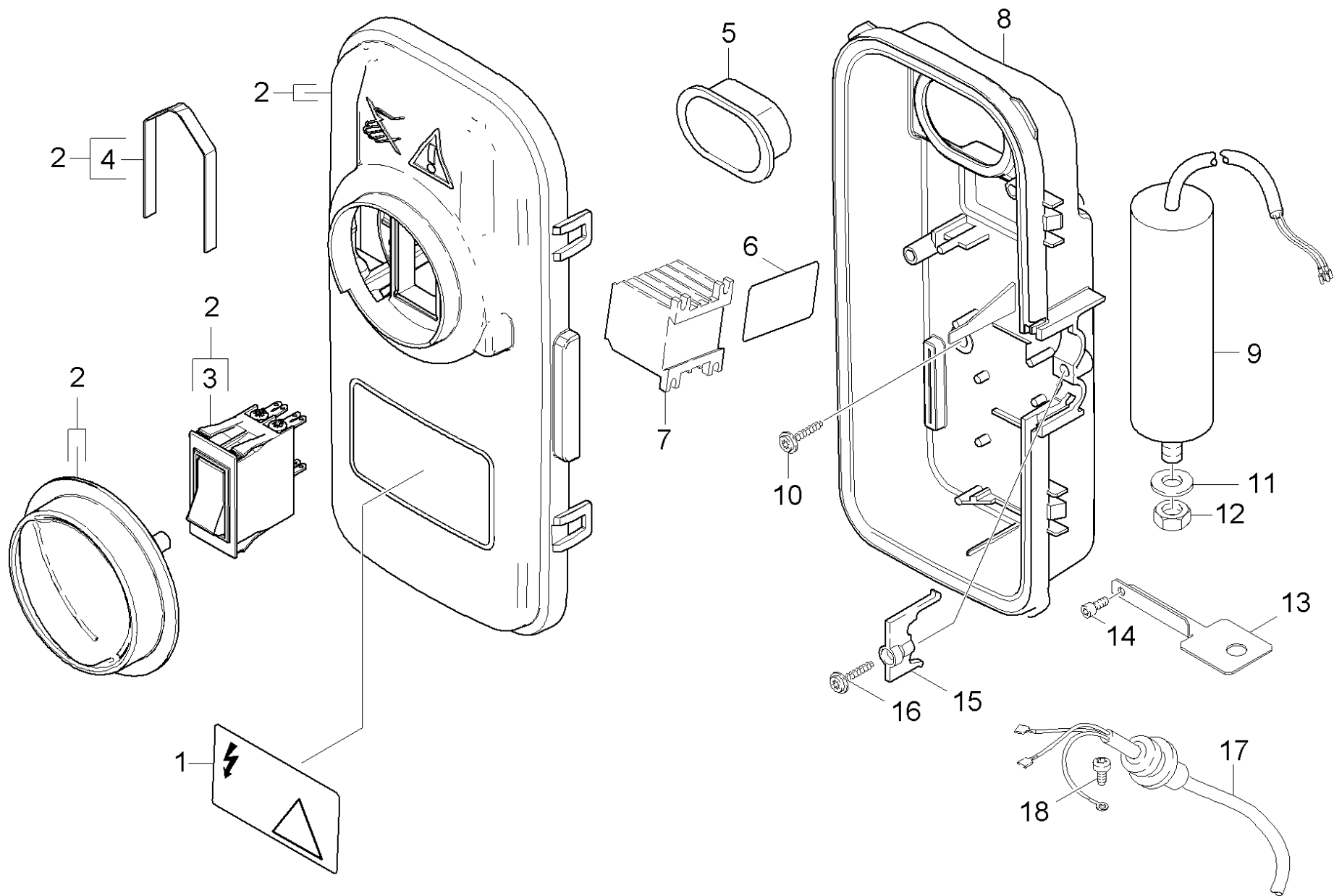
<b>POS</b>	<b>Description</b>	<b>Quantity</b>	<b>Unit</b>	<b>Remark</b>
51	Electric box	1.000	ST	VERSION 1
52	Electric box	1.000	ST	VERSION 2





## 51 Electric box

POS	Article no.	Description	Quantity	Unit	Serial number from	Serial number to
1	5.388-512.0	Label	1.000	ST	0000000000	0000000000
2	4.063-810.0	Cover completely	1.000	ST	0000000000	0000000000
3	5.365-181.0	Profile gasket	1.000	ST	0000000000	0000000000
4	5.064-242.0	Housing with bore	1.000	ST	0000000000	0000000000
5	6.661-274.0	Capacitor 100 µF	1.000	ST		
	<b>Item text1:</b> /1.150-611.0 / -614.0 /-616.0 /					
5	6.661-254.0	Capacitor 80 µF	1.000	ST	0000000000	0000000000
	<b>Item text1:</b> 1.150-610.0					
6	6.650-274.0	Cable with plug GFCI	1.000	ST	0000000000	0000000000
	<b>Item text1:</b> 1.150-610.0					
6	6.650-270.0	Cable with plug GFCI	1.000	ST	0000000000	0000000000
	<b>Item text1:</b> /1.150-611.0 / -614.0 /					
6	6.649-467.0	Cable without plug	1.000	ST		
	<b>Item text1:</b> 1.150-616.0					
7	7.303-031.0	Screw M4x10 -St-P2R (In6Rd)	1.000	ST	0000000000	0000000000
8	5.263-058.0	Tensioning part	1.000	ST	0000000000	0000000000
	<b>Item text1:</b> 1.150-610.0 /-616.0					
8	5.263-051.0	Tensioning part	1.000	ST		
	<b>Item text1:</b> 1.150-611.0 /-614.0 /					
9	6.303-200.0	Screw 5x25-IN6RD	1.000	ST	0000000000	0000000000
10	6.303-153.0	Screw M5x15-ST-R2R (IN6RD)	3.000	ST	0000000000	0000000000
11	6.632-422.0	Contactora 7,5 kW / 115 V	1.000	ST	0000000000	0000000000
	<b>Item text1:</b> 1.150-611.0 / -614.0 /-616.0					
11	6.632-421.0	Contactora 7,5 kW / 220 V	1.000	ST	0000000000	0000000000
	<b>Item text1:</b> 1.150-610.0					
12	5.048-251.0	Plate	1.000	ST	0000000000	0000000000
13	6.630-049.0	Cap	1.000	ST	0000000000	0000000000
14	6.631-196.0	Motor protecting switch	1.000	ST	0000000000	0000000000
16	5.043-069.0	Holder for capacitor	1.000	ST		
17	7.303-037.0	Screw M5x10 -St-P2R (In6Rd)	1.000	ST		
18	7.312-054.0	Washer 12-A2 ISO 7090	1.000	ST		
19	7.311-071.0	Hexagon nut M12-A2-70 ISO 4032	1.000	ST		



## 52 Electric box

POS	Article no.	Description	Quantity	Unit
1	5.388-512.0	Label	1.000	ST
2	4.744-229.0	Switch kpl.	1.000	ST
	<b>Item text1:</b> 1.150-610.0 /-611.0 /-614.0 /			
3	6.632-412.0	Switch 14 A	1.000	ST
4	5.263-085.0	Tensioning part	1.000	ST
5	5.365-181.0	Profile gasket	1.000	ST
6	5.048-251.0	Plate	1.000	ST
7	6.632-422.0	Contactora 7,5 kW / 115 V	1.000	ST
	<b>Item text1:</b> 1.150-611.0 /-614.0 /			
7	6.632-421.0	Contactora 7,5 kW / 220 V	1.000	ST
	<b>Item text1:</b> 1.150-610.0			
8	5.061-598.0	Housing electric control box	1.000	ST
9	6.661-274.0	Capacitor 100 µF	1.000	ST
	<b>Item text1:</b> 1.150-611.0 /-614.0 /			
9	6.661-254.0	Capacitor 80 µF	1.000	ST
	<b>Item text1:</b> 1.150-610.0			
10	6.303-153.0	Screw M5x15-ST-R2R (IN6RD)	3.000	ST
11	7.312-054.0	Washer 12-A2 ISO 7090	1.000	ST
12	7.311-071.0	Hexagon nut M12-A2-70 ISO 4032	1.000	ST
13	5.043-069.0	Holder for capacitor	1.000	ST
14	7.303-037.0	Screw M5x10 -St-P2R (In6Rd)	1.000	ST
15	5.263-058.0	Tensioning part	1.000	ST
	<b>Item text1:</b> 1.150-610.0			
15	5.263-051.0	Tensioning part	1.000	ST
	<b>Item text1:</b> 1.150-611.0 /-614.0 /			
16	6.303-200.0	Screw 5x25-IN6RD	1.000	ST
17	6.650-270.0	Cable with plug GFCI	1.000	ST
	<b>Item text1:</b> 1.150-611.0 /-614.0 /			
17	6.650-274.0	Cable with plug GFCI	1.000	ST
	<b>Item text1:</b> 1.150-610.0			
18	7.303-031.0	Screw M4x10 -St-P2R (In6Rd)	1.000	ST