

## **Spare parts list**

(1.107-077.0) HD 2.3/26 CV

## Table of contents

---

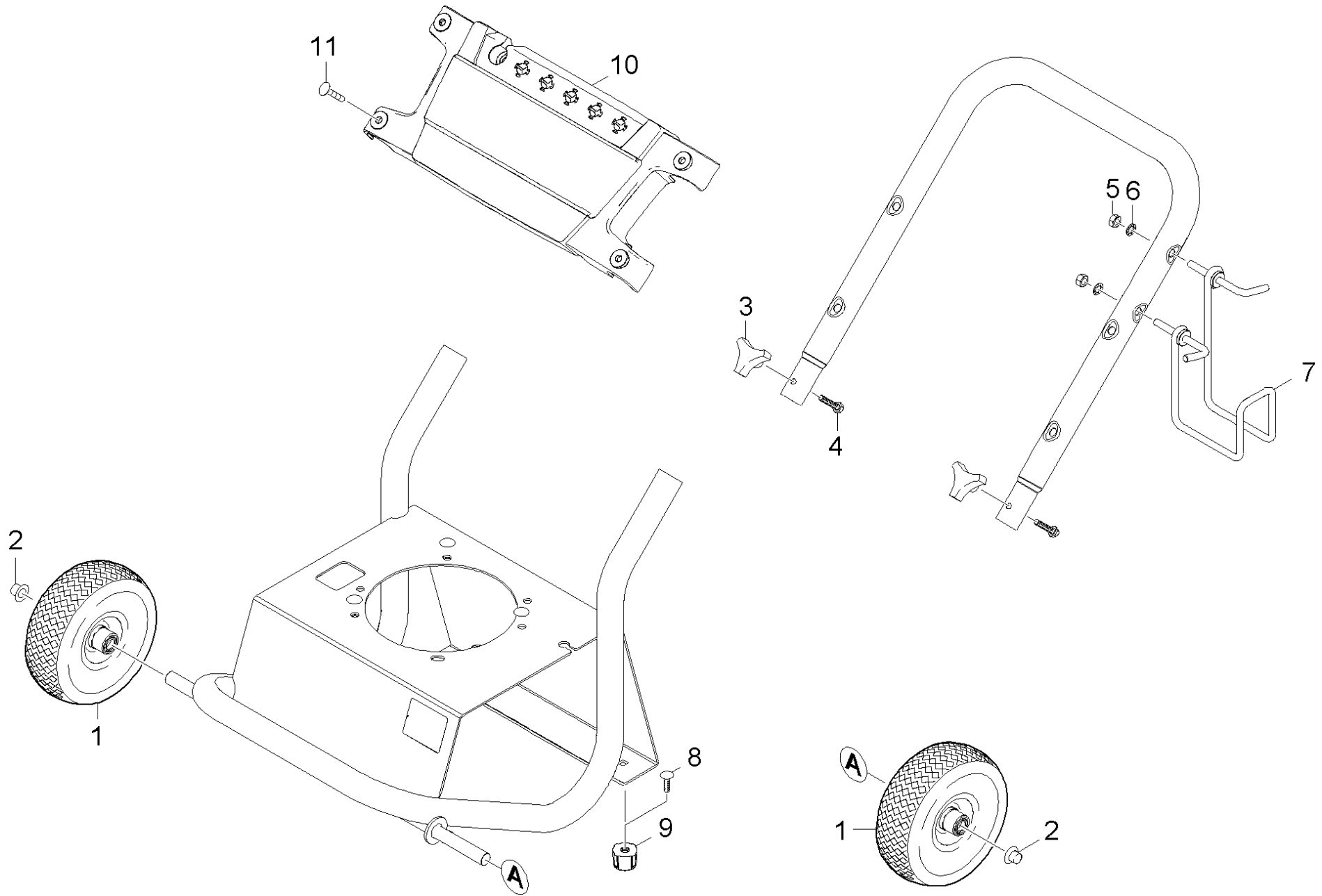
Order instructions	2
HD 2.3/26 CV (1.107-077.0)	6
200 Spare parts list G 2600 PH	7
10 Frame	8
20 Pump set	10
21 Cylinder head	11
1 Nozzle insert (4.769-035.0)	13
3 Throttle complete (4.030-109.0)	16
7 Suction valve complete (4.580-330.0)	17
10 Valve (3 Stück) (2.884-916.0)	18
12 Drain plug only for replacement (4.132-007.0)	20
13 Spare part set chemistry (2.883-862.0)	22
22 Piston	23
1 Thermo valve only for replacement 60 GRD (4.580-360.0)	25
36 Valve plug complete (4.132-011.0)	26
100 Thermo valve 60 GRD (4.580-359.0)	27
23 Cylinder head	28
1 Nozzle insert (4.769-035.0)	30
3 Throttle complete (4.030-109.0)	33
7 Suction valve complete (4.580-330.0)	34
10 Valve (3 Stück) (2.884-916.0)	35
12 Drain plug only for replacement (4.132-007.0)	37
13 Spare part set chemistry (2.883-862.0)	39
24 Piston	40
1 Thermo valve only for replacement 60 GRD (4.580-360.0)	42
36 Valve plug complete (4.132-011.0)	43
100 Thermo valve 60 GRD (4.580-359.0)	44
25 Cylinder head	45
9 Spare part set chemistry (2.883-862.0)	47
10 Drain plug only for replacement (4.132-007.0)	48
11 Valve (3 Stück) (2.884-916.0)	50
26 Piston	52
30 Motor	54
31 Motor	55
32 Transmission	57
33 Transmission	59
40 Accessories	61

POS	Description	Quantity	Unit
200	Spare parts list G 2600 PH	1.000	ST

200 Spare parts list G 2600 PH

---

<b>POS</b>	<b>Description</b>	<b>Quantity</b>	<b>Unit</b>
10	Frame	1.000	ST
20	Pump set	1.000	ST
30	Motor	1.000	ST
40	Accessories	1.000	ST



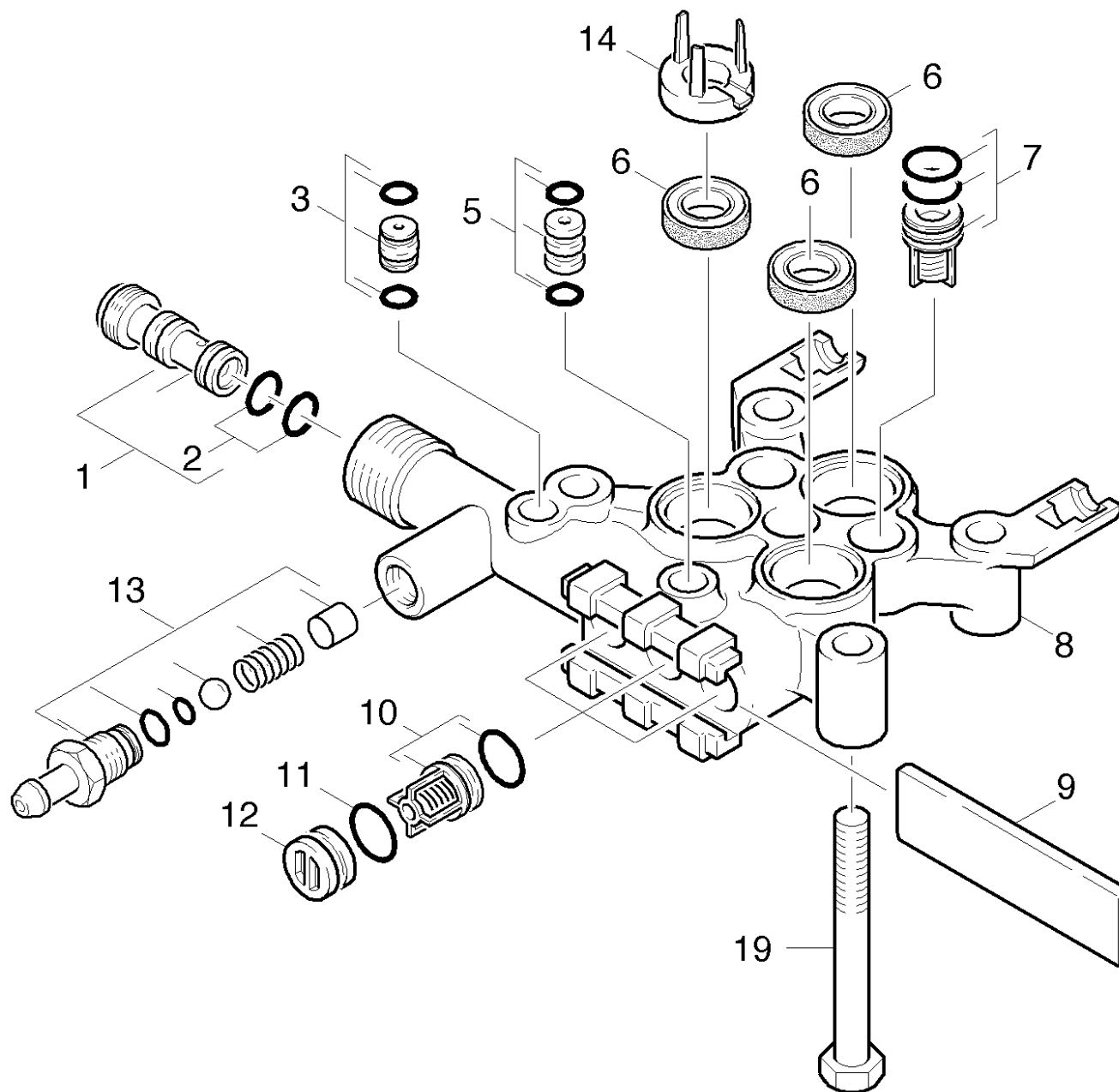
10 Frame

POS	Article no.	Description	Quantity	Unit	Serial number from	Foot note text
1	9.802-270.0	WHEEL & TIRE ASSY, 10" STEEL RIM W/TUBE	2.000	ST	102133	ARTICLE ONLY AVAILABLE AT KNA
2	9.182-506.0	CAP BLACK PLASTIC,5/8"FASTENER	2.000	ST		
3	9.182-353.0	KNOB 1/4"-20,3PT. STAR	2.000	ST		
4	9.196-307.0	1/4-20 x 1-1/2 GR 2 HEX BOLT ZINC	2.000	ST		
5	5.310-105.0	5/16"-18 FINISHED HEX NUT ZINC	2.000	ST		
6	9.198-003.0	5/16 INTERNAL L/W .332 ID X .620 OD ZINC	2.000	ST		
7	9.142-015.0	HANGER LT SIDE	1.000	ST		
8	9.196-308.0	5/16-18 X 1/2 CARRIAGE BOLT A307 BLK	2.000	ST		
9	9.183-405.0	RUBBER DAMPENER 5/16"-18FEMALE 2001	2.000	ST		
10	9.134-022.0	Name plate	1.000	ST		
11	9.196-049.0	Nylon Rivet	4.000	ST		

## 20 Pump set

---

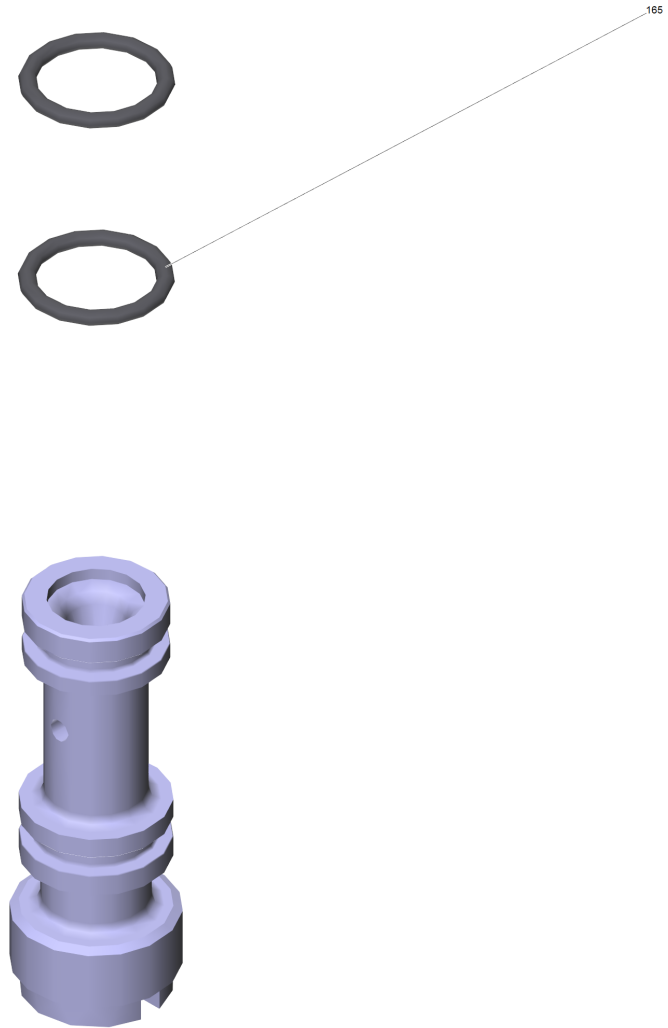
<b>POS</b>	<b>Description</b>	<b>Quantity</b>	<b>Unit</b>	<b>Remark</b>
21	Cylinder head	1.000	ST	VERSION 1
22	Piston	1.000	ST	VERSION 1
23	Cylinder head	1.000	ST	VERSION 2
24	Piston	1.000	ST	VERSION 2
25	Cylinder head	1.000	ST	VERSION 3
26	Piston	1.000	ST	VERSION 3

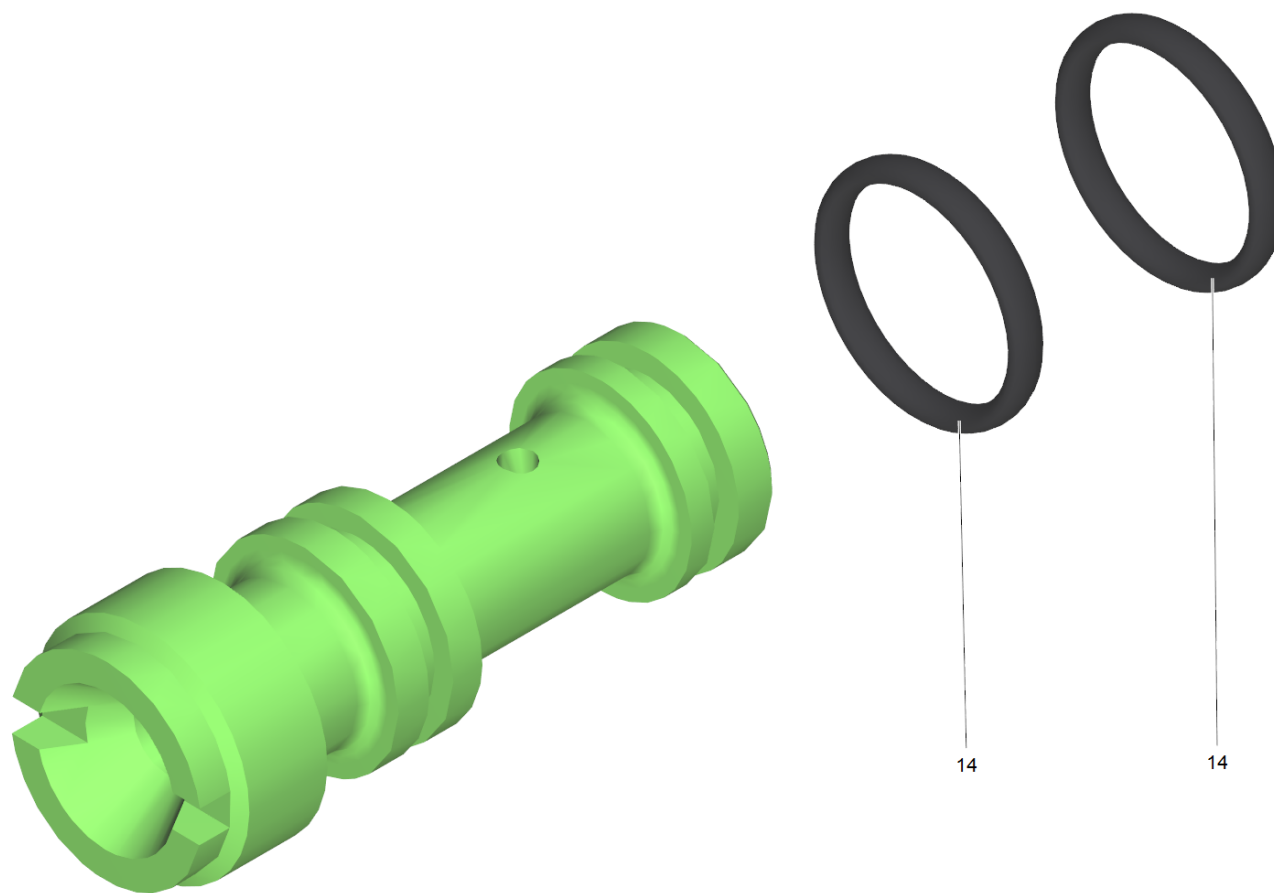




## 21 Cylinder head

POS	Article no.	Description	Quantity	Unit	Serial number from	Serial number to
1	4.769-035.0	Nozzle insert	1.000	ST	0000000000	0000000000
2	6.362-384.0	O-Ring seal 9x1,5 - NBR 70	2.000	ST	0000000000	0000000000
3	4.030-109.0	Throttle complete	1.000	ST	0000000000	0000000000
5	4.030-125.0	Joining piece only for replacement	1.000	ST	0000000000	0000000000
6	6.365-394.0	Grooved ring 12x20x5,3/2,8	3.000	ST	0000000000	0000000000
7	4.580-330.0	Suction valve complete	3.000	ST	0000000000	0000000000
8	5.550-294.0	Cylinder head	1.000	ST	0000000000	0000000000
9	5.003-062.0	Plate	1.000	ST	0000000000	0000000000
10	2.884-916.0	Valve (3 Stück)	1.000	ST	0000000000	0000000000
11	6.363-273.0	O-Ring seal 11,0 x 2,0	3.000	ST	0000000000	0000000000
12	4.132-007.0	Drain plug only for replacement	3.000	ST	0000000000	0000000000
13	2.883-862.0	Spare part set chemistry	1.000	ST	0000000000	0000000000
14	5.115-903.0	Washer	3.000	ST	0000000000	0000000000
19	7.304-408.0	Hexagonal head screw M 8x80-8.8-A2E ISO	4.000	ST	0000000000	0000000000





1 Nozzle insert (4.769-035.0)

---

<b>POS</b>	<b>Article no.</b>	<b>Description</b>	<b>Quantity</b>	<b>Unit</b>
165	6.362-384.0	O-Ring seal 9x1,5 - NBR 70	2.000	ST

3 Throttle complete (4.030-109.0)

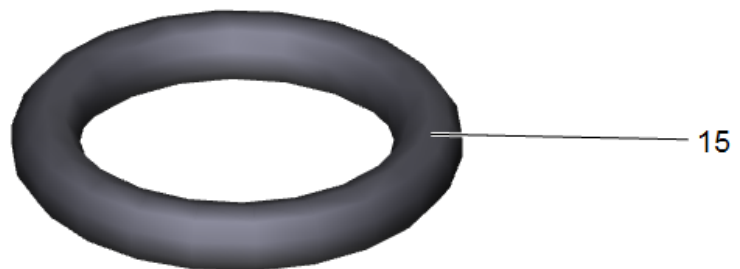
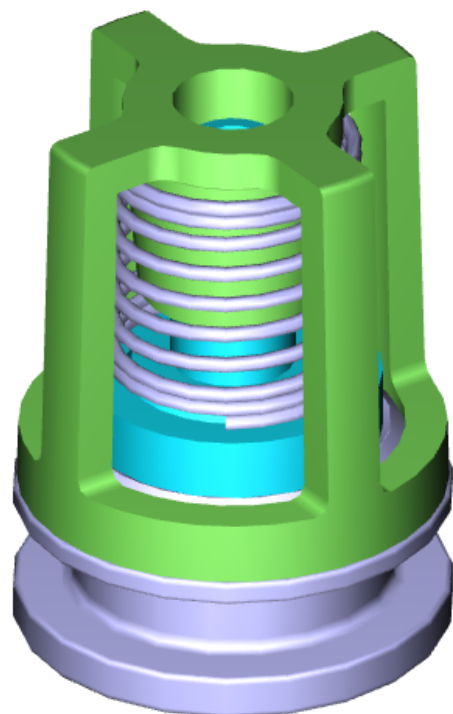
---

<b>POS</b>	<b>Article no.</b>	<b>Description</b>	<b>Quantity</b>	<b>Unit</b>
87	6.362-176.0	O-Ring seal 6,07x1,78	2.000	ST
120	6.288-028.0	Silicon grease	1.000	ZST

7 Suction valve complete (4.580-330.0)

---

<b>POS</b>	<b>Article no.</b>	<b>Description</b>	<b>Quantity</b>	<b>Unit</b>
86	6.363-614.0	O-Ring seal 9 x 2 -NBR90	2.000	ST
120	6.288-028.0	Silicon grease	1.000	ZST



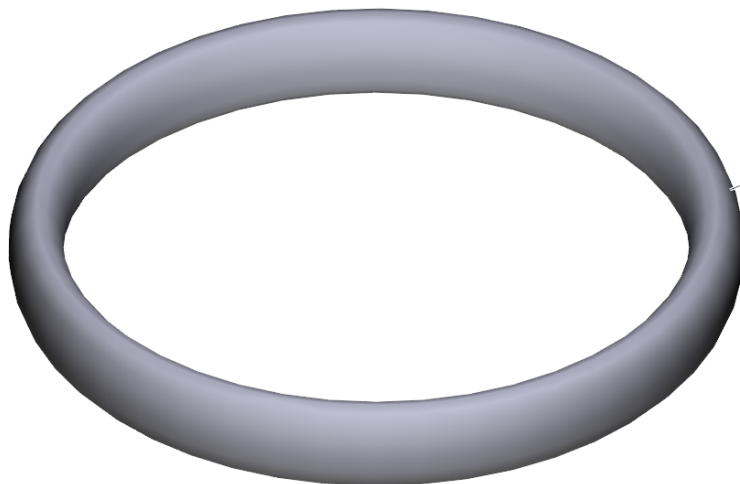
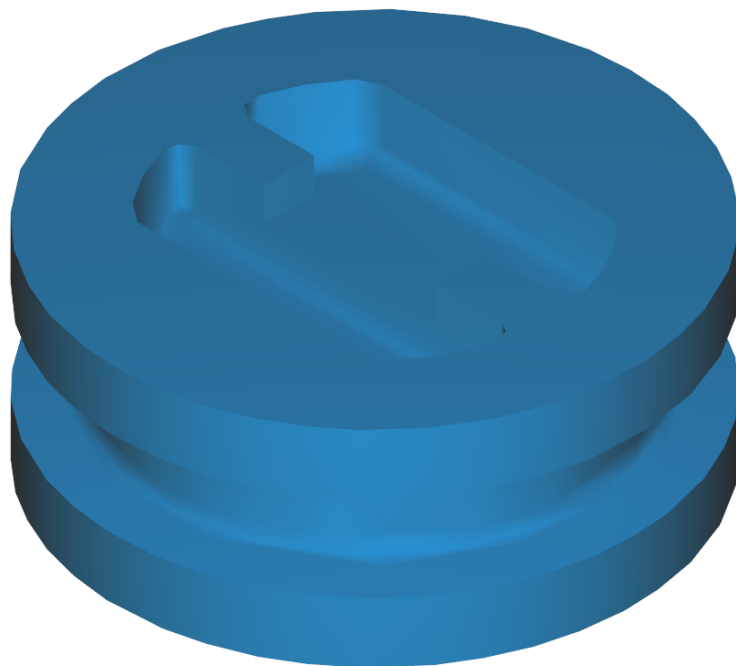
10 Valve (3 Stück) (2.884-916.0)

---

<b>POS</b>	<b>Article no.</b>	<b>Description</b>	<b>Quantity</b>	<b>Unit</b>
15	6.362-077.0	O-Ring seal 10 x 2,2 NBR 70	1.000	ST

---





18

12 Drain plug only for replacement (4.132-007.0)

---

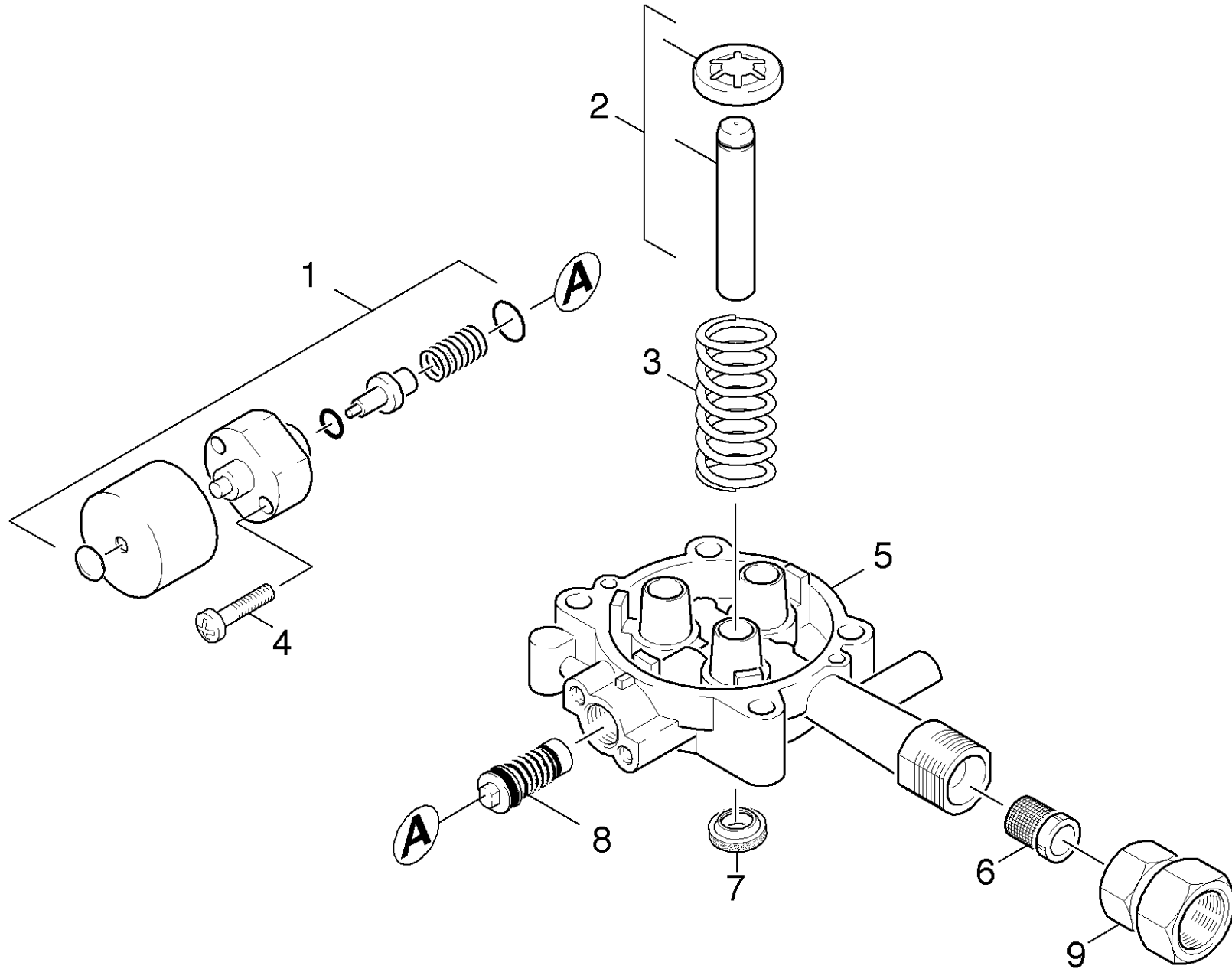
<b>POS</b>	<b>Article no.</b>	<b>Description</b>	<b>Quantity</b>	<b>Unit</b>
18	6.362-458.0	O-Ring seal 11,0x2,0-NBR 70	1.000	ST

---

### 13 Spare part set chemistry (2.883-862.0)

---

<b>POS</b>	<b>Article no.</b>	<b>Description</b>	<b>Quantity</b>	<b>Unit</b>
40	5.332-258.0	Helical spring	1.000	ST
44	5.443-448.0	Nipple chemistry	1.000	ST
100	5.110-714.0	Sleeve	1.000	ST
101	6.363-597.0	O-Ring seal 5,28 x 1,78	1.000	ST
102	6.362-451.0	O-Ring seal 8,0 x 1,0	1.000	ST
110	6.376-036.0	Label spare parts neutrally 65x55 MM	1.000	ZST
130	6.590-384.0	Bag PE 80x120 MM neutral	1.000	ST
150	7.401-908.0	Sphere 7 G300 -1.4301 DIN 5401	1.000	ST



## 22 Piston

POS	Article no.	Description	Quantity	Unit	Serial number from	Serial number to
1	4.580-360.0	Therموالve only for replacement 60 GRD	1.000	ST	0000000000	0000000000
2	4.553-215.0	Piston complete	3.000	ST	0000000000	0000000000
3	5.332-391.0	Pressure spring	3.000	ST	0000000000	0000000000
4	7.303-066.0	Screw M6x30 -St-R3R (In6Rd)	2.000	ST	0000000000	0000000000
5	5.060-838.0	Piston guidance	1.000	ST	0000000000	0000000000
6	6.414-252.0	Strainer	1.000	ST	0000000000	0000000000
7	6.365-393.0	Oil sealing 12x20x4/6	3.000	ST	0000000000	0000000000
8	4.591-040.0	SPILL VALVE COMPLETE	1.000	ST	0000000000	0000000000
9	9.154-009.0	Coupling element 3/4"	1.000	ST	0000000000	0000000000

1 Thermovalve only for replacement 60 GRD (4.580-360.0)

---

<b>POS</b>	<b>Article no.</b>	<b>Description</b>	<b>Quantity</b>	<b>Unit</b>
36	4.132-011.0	Valve plug complete	1.000	ST
100	4.580-359.0	Thermovalve 60 GRD	1.000	ST
149	6.376-036.0	Label spare parts neutrally 65x55 MM	1.000	ZST
150	6.590-355.0	Bag PE 130x140 mm neutral	1.000	ST

36 Valve plug complete (4.132-011.0)

---

<b>POS</b>	<b>Article no.</b>	<b>Description</b>	<b>Quantity</b>	<b>Unit</b>
85	6.362-458.0	O-Ring seal 11,0x2,0-NBR 70	1.000	ST
120		Grease	0.400	G

100 Thermovalve 60 GRD (4.580-359.0)

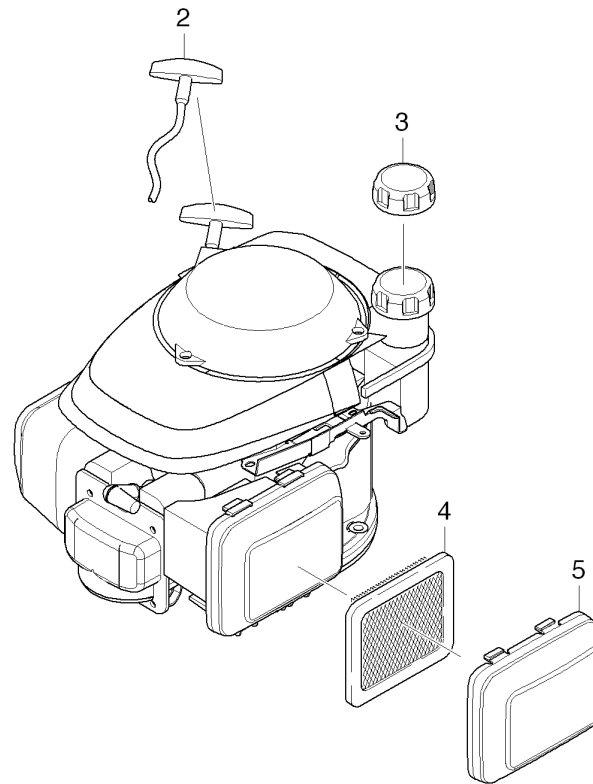
POS	Article no.	Description	Quantity	Unit
26	5.587-196.0	Valve housing	1.000	ST
26	5.587-196.0	Valve housing	1.000	ST
54	5.394-522.0	Protecting cap black	1.000	ST
54	5.394-522.0	Protecting cap black	1.000	ST
86	7.362-507.0	O-Ring seal 8x2-NBR 90 DIN 3770	1.000	ST
86	7.362-507.0	O-Ring seal 8x2-NBR 90 DIN 3770	1.000	ST
94	6.362-553.0	O-Ring seal 14,0 X 1,1	1.000	ST
94	6.362-553.0	O-Ring seal 14,0 X 1,1	1.000	ST
100	6.413-403.0	Thermovalve 60°	1.000	ST
100	6.413-403.0	Thermovalve 60°	1.000	ST
120	6.288-028.0	Silicon grease	1.000	ZST
120	6.288-028.0	Silicon grease	1.000	ZST
122	6.343-129.0	Lock washer	1.000	ST
122	6.343-129.0	Lock washer	1.000	ST
149	6.376-036.0	Label spare parts neutrally 65x55 MM	1.000	ZST
149	6.376-036.0	Label spare parts neutrally 65x55 MM	1.000	ZST
150	6.590-355.0	Bag PE 130x140 mm neutral	1.000	ST
150	6.590-355.0	Bag PE 130x140 mm neutral	1.000	ST



## 30 Motor

---

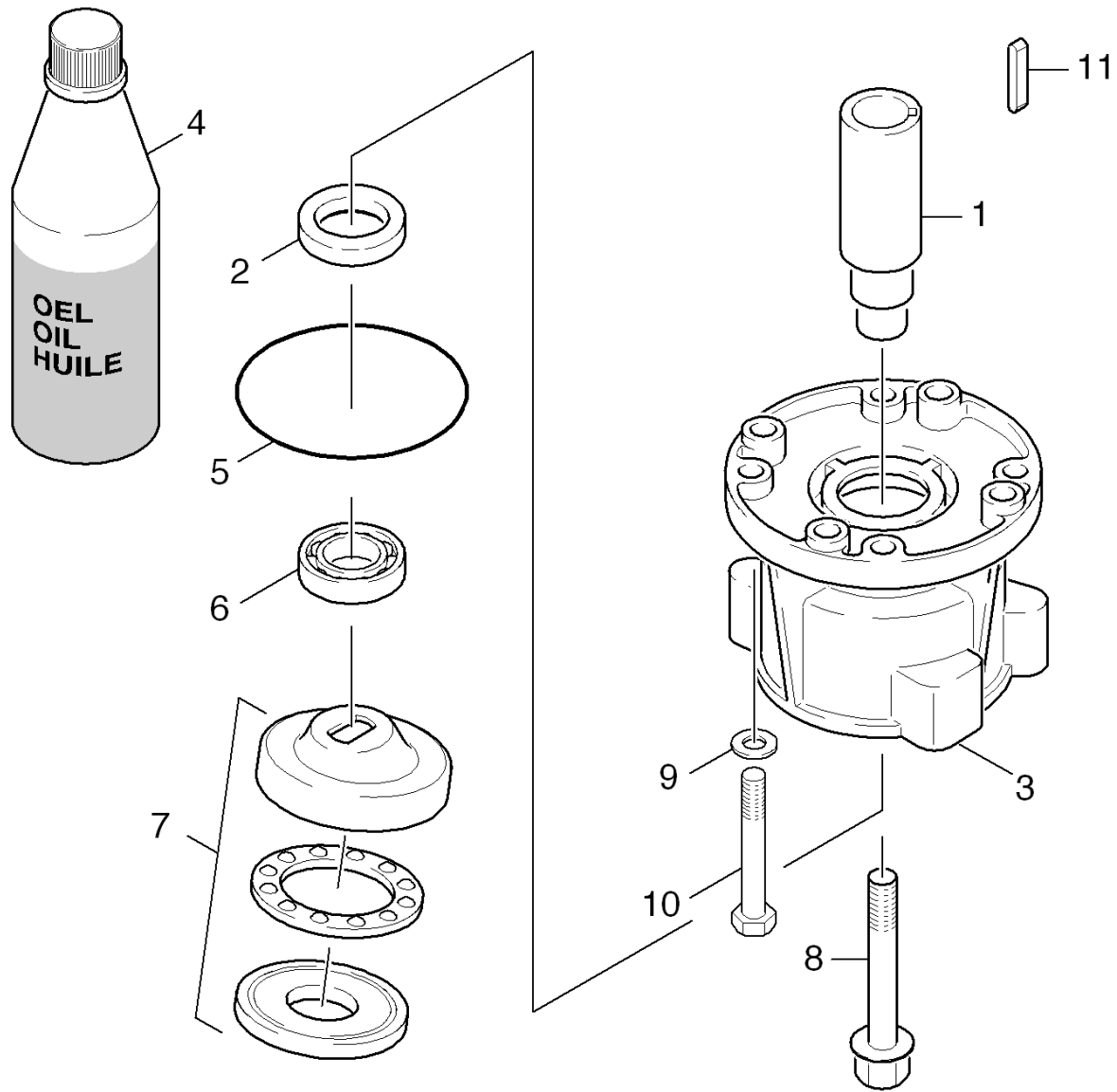
POS	Description	Quantity	Unit	Remark
31	Motor	1.000	ST	
32	Transmission	1.000	ST	VERSION 1
33	Transmission	1.000	ST	VERSION 3



## 31 Motor

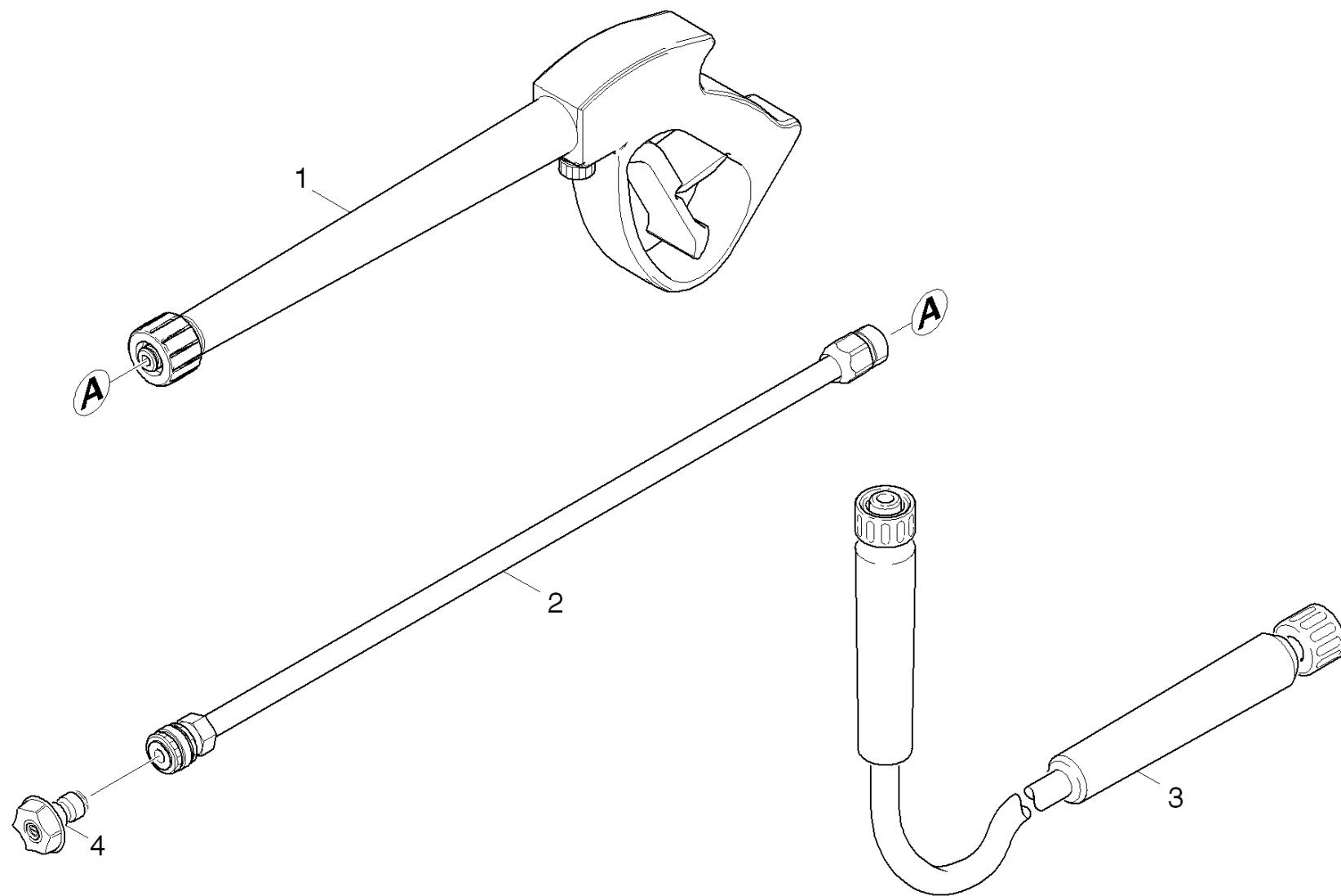
---

POS	Article no.	Description	Quantity	Unit	Serial number from	Serial number to
2	6.491-503.0	Handhold	1.000	ST	0000000000	0000000000
3	6.491-723.0	Cap of a tank	1.000	ST	0000000000	0000000000
4	6.491-726.0	Air filter insert	1.000	ST	0000000000	0000000000
5	9.194-543.0	Cover	1.000	ST	0000000000	0000000000



## 32 Transmission

POS	Article no.	Description	Quantity	Unit	Serial number from	Serial number to
1	9.154-031.0	PUMP SHAFT (VERT.)	1.000	ST	0000000000	0000000000
2	7.367-018.0	Radial shaft seal ring A26x37x7 -NBR DI	1.000	ST	0000000000	0000000000
3	9.135-001.0	HOUSING-VERTICAL	1.000	ST	0000000000	0000000000
4	6.288-050.0	Engine oil 1L	1.000	ST	0000000000	0000000000
5	6.362-471.0	O-Ring seal 80,0 X 3,0 -NBR 70	1.000	ST	0000000000	0000000000
6	7.401-155.0	Ball bearing 6304-WAELZLAGERST DIN 625	1.000	ST	0000000000	0000000000
7	6.401-289.0	Wobble plate	1.000	ST	0000000000	0000000000
8	6.304-048.0	Cylinder head screw M6x19	1.000	ST	0000000000	0000000000
9	5.115-656.0	Washer	4.000	ST	0000000000	0000000000
10	9.196-033.0	5/16-24UNF X 1.75 SOCKET HEAD CAP SCREW	4.000	ST	0000000000	0000000000
11	9.194-881.0	KEY SQR 3/16" x 1 47/64"	1.000	ST	0000000000	0000000000



## 40 Accessories

---

POS	Article no.	Description	Quantity	Unit
1	9.112-020.0	3200psi MV GUN KAERCHER	1.000	ST
2	9.112-533.0	Lance-AL Quick Connect-Male 3000 psi	1.000	ST
3	8.753-423.0	HOSE, HP DN6 25FT, 3600PSI M22	1.000	ST
4	9.104-016.0	QUICK CONNECT NOZZLE KIT (0325)	1.000	ST