

Spare parts list

(1.107-077.0) HD 2.3/26 CV

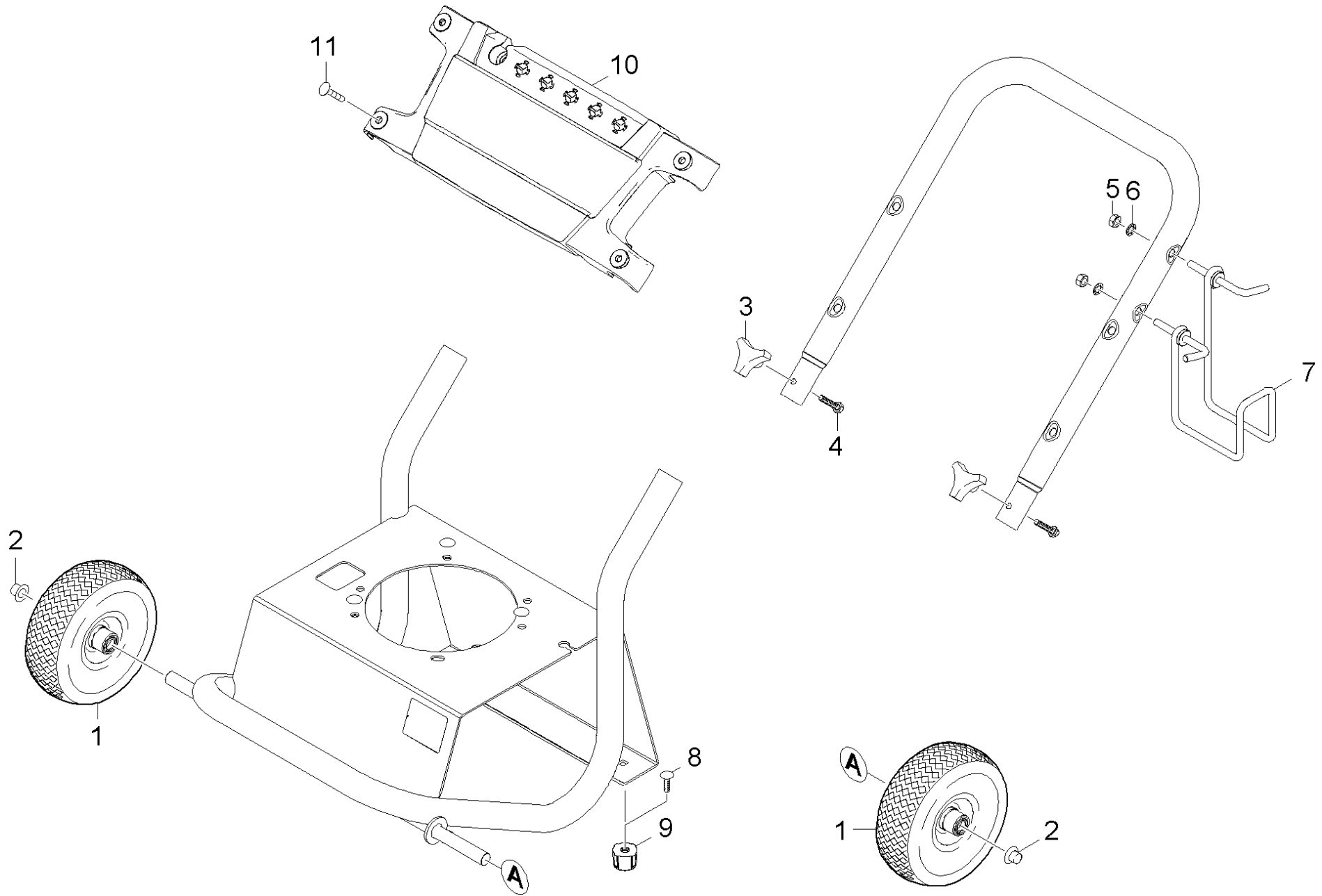
Table of contents

Order instructions	2
HD 2.3/26 CV (1.107-077.0)	6
200 Spare parts list G 2600 PH	7
10 Frame	8
20 Pump set	10
21 Cylinder head	11
1 Nozzle insert (4.769-035.0)	13
3 Throttle complete (4.030-109.0)	16
7 Suction valve complete (4.580-330.0)	17
10 Valve (3 Stück) (2.884-916.0)	18
12 Drain plug only for replacement (4.132-007.0)	20
13 Spare part set chemistry (2.883-862.0)	22
22 Piston	23
1 Thermo valve only for replacement 60 GRD (4.580-360.0)	25
36 Valve plug complete (4.132-011.0)	26
100 Thermo valve 60 GRD (4.580-359.0)	27
23 Cylinder head	28
1 Nozzle insert (4.769-035.0)	30
3 Throttle complete (4.030-109.0)	33
7 Suction valve complete (4.580-330.0)	34
10 Valve (3 Stück) (2.884-916.0)	35
12 Drain plug only for replacement (4.132-007.0)	37
13 Spare part set chemistry (2.883-862.0)	39
24 Piston	40
1 Thermo valve only for replacement 60 GRD (4.580-360.0)	42
36 Valve plug complete (4.132-011.0)	43
100 Thermo valve 60 GRD (4.580-359.0)	44
25 Cylinder head	45
9 Spare part set chemistry (2.883-862.0)	47
10 Drain plug only for replacement (4.132-007.0)	48
11 Valve (3 Stück) (2.884-916.0)	50
26 Piston	52
30 Motor	54
31 Motor	55
32 Transmission	57
33 Transmission	59
40 Accessories	61

POS	Description	Quantity	Unit
200	Spare parts list G 2600 PH	1.000	ST

200 Spare parts list G 2600 PH

POS	Description	Quantity	Unit
10	Frame	1.000	ST
20	Pump set	1.000	ST
30	Motor	1.000	ST
40	Accessories	1.000	ST

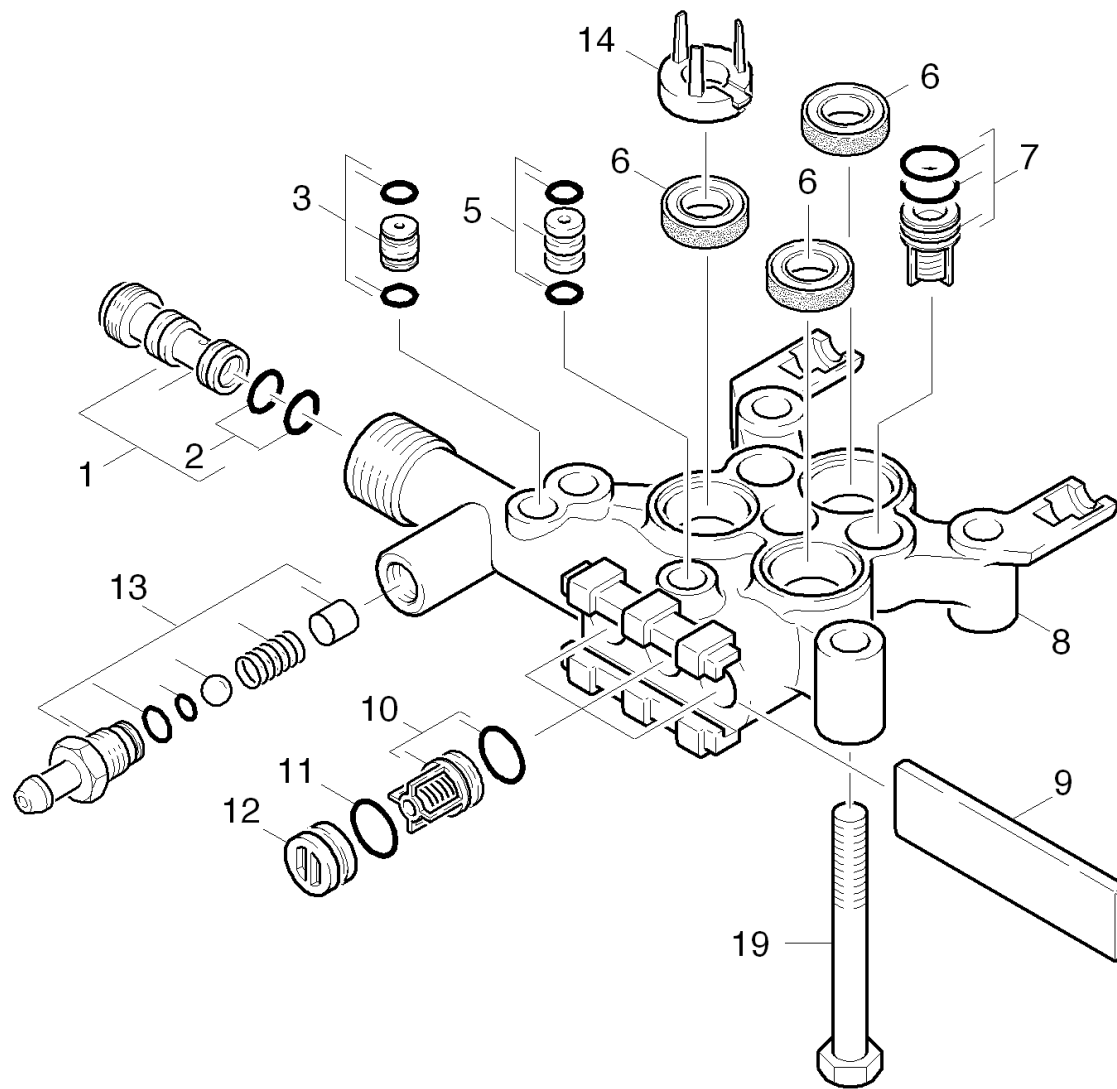


10 Frame

POS	Article no.	Description	Quantity	Unit	Serial number from	Foot note text
1	9.802-270.0	WHEEL & TIRE ASSY, 10" STEEL RIM W/TUBE	2.000	ST	102133	ARTICLE ONLY AVAILABLE AT KNA
2	9.182-506.0	CAP BLACK PLASTIC,5/8"FASTENER	2.000	ST		
3	9.182-353.0	KNOB 1/4"-20,3PT. STAR	2.000	ST		
4	9.196-307.0	1/4-20 x 1-1/2 GR 2 HEX BOLT ZINC	2.000	ST		
5	5.310-105.0	5/16"-18 FINISHED HEX NUT ZINC	2.000	ST		
6	9.198-003.0	5/16 INTERNAL L/W .332 ID X .620 OD ZINC	2.000	ST		
7	9.142-015.0	HANGER LT SIDE	1.000	ST		
8	9.196-308.0	5/16-18 X 1/2 CARRIAGE BOLT A307 BLK	2.000	ST		
9	9.183-405.0	RUBBER DAMPENER 5/16"-18FEMALE 2001	2.000	ST		
10	9.134-022.0	Name plate	1.000	ST		
11	9.196-049.0	Nylon Rivet	4.000	ST		

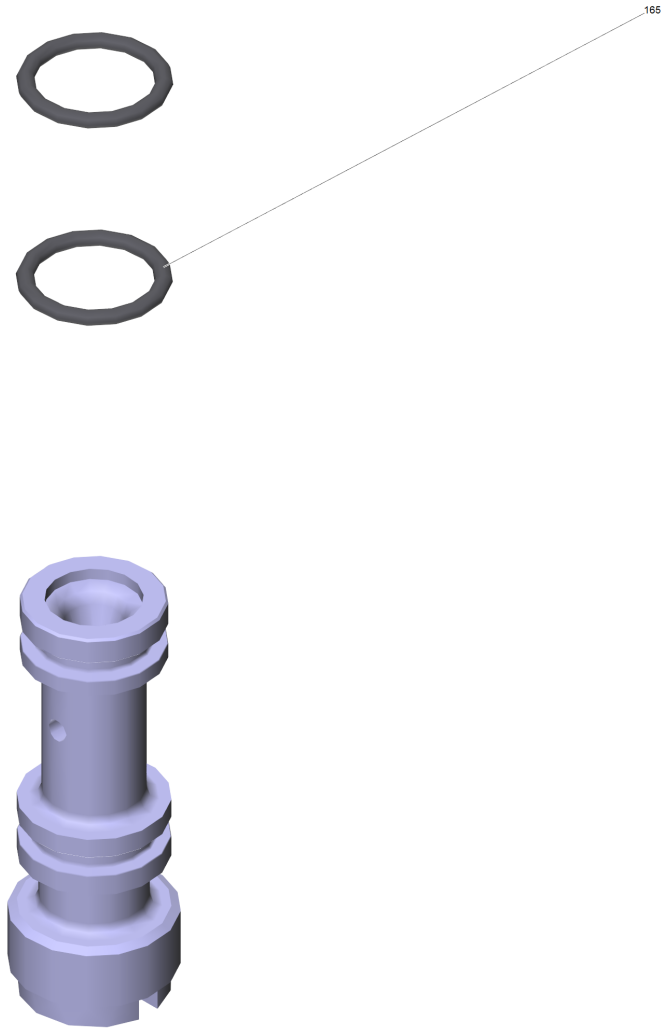
20 Pump set

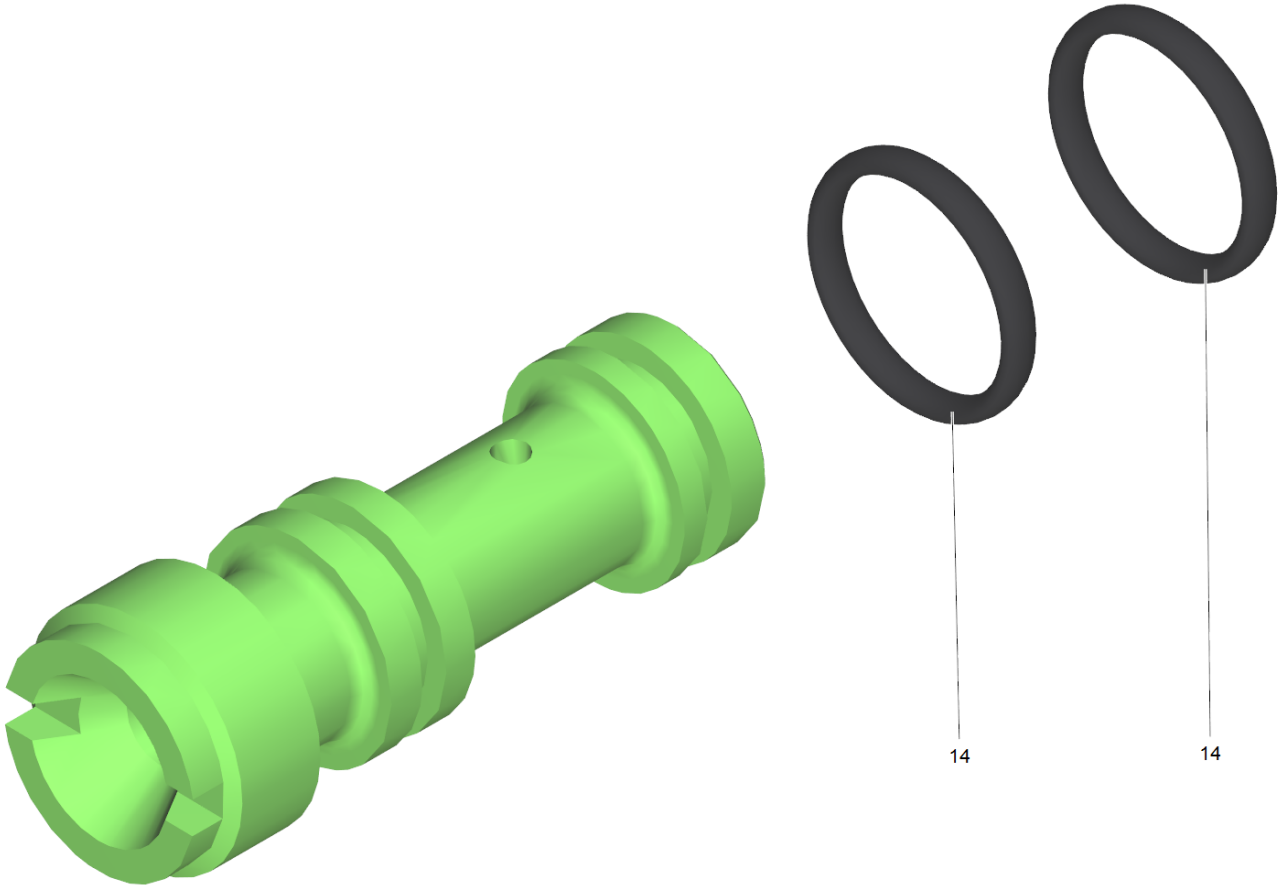
POS	Description	Quantity	Unit	Remark
21	Cylinder head	1.000	ST	VERSION 1
22	Piston	1.000	ST	VERSION 1
23	Cylinder head	1.000	ST	VERSION 2
24	Piston	1.000	ST	VERSION 2
25	Cylinder head	1.000	ST	VERSION 3
26	Piston	1.000	ST	VERSION 3



23 Cylinder head

POS	Article no.	Description	Quantity	Unit	Serial number from	Serial number to
1	4.769-035.0	Nozzle insert	1.000	ST	0000000000	0000000000
2	6.362-384.0	O-Ring seal 9x1,5 - NBR 70	1.000	ST	0000000000	0000000000
3	4.030-109.0	Throttle complete	1.000	ST	0000000000	0000000000
5	4.030-125.0	Joining piece only for replacement	1.000	ST	0000000000	0000000000
6	6.365-394.0	Grooved ring 12x20x5,3/2,8	3.000	ST	0000000000	0000000000
7	4.580-330.0	Suction valve complete	3.000	ST	0000000000	0000000000
8	5.550-294.0	Cylinder head	1.000	ST	0000000000	0000000000
9	5.003-062.0	Plate	1.000	ST	0000000000	0000000000
10	2.884-916.0	Valve (3 Stück)	1.000	ST	0000000000	0000000000
11	6.363-273.0	O-Ring seal 11,0 x 2,0	3.000	ST	0000000000	0000000000
12	4.132-007.0	Drain plug only for replacement	3.000	ST	0000000000	0000000000
13	2.883-862.0	Spare part set chemistry	1.000	ST	0000000000	0000000000
14	5.116-062.0	Washer	3.000	ST	0000000000	0000000000
19	7.304-098.0	Hexagonal head screw M8x80-8.8-A2E ISO	4.000	ST	0000000000	0000000000





1 Nozzle insert (4.769-035.0)

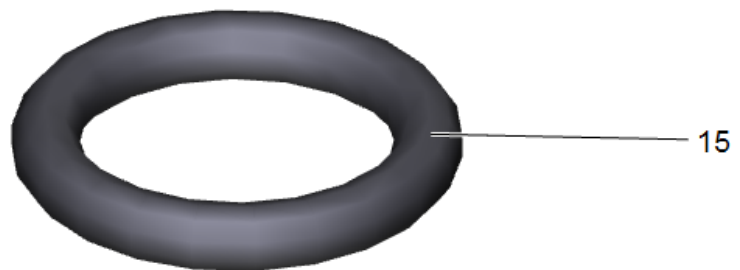
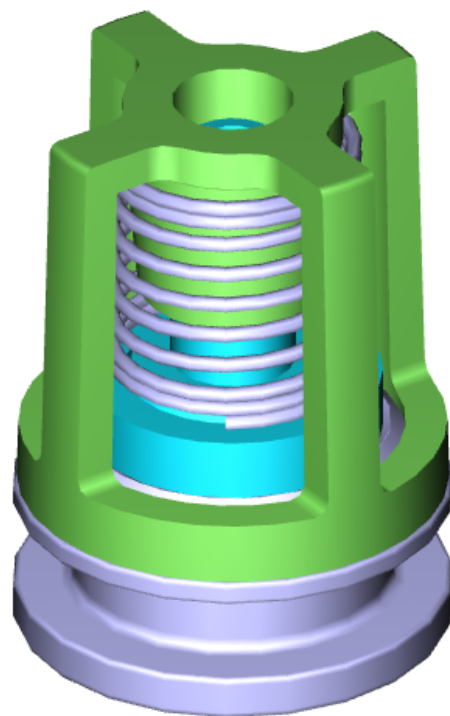
POS	Article no.	Description	Quantity	Unit
165	6.362-384.0	O-Ring seal 9x1,5 - NBR 70	2.000	ST

3 Throttle complete (4.030-109.0)

POS	Article no.	Description	Quantity	Unit
87	6.362-176.0	O-Ring seal 6,07x1,78	2.000	ST
120	6.288-028.0	Silicon grease	1.000	ZST

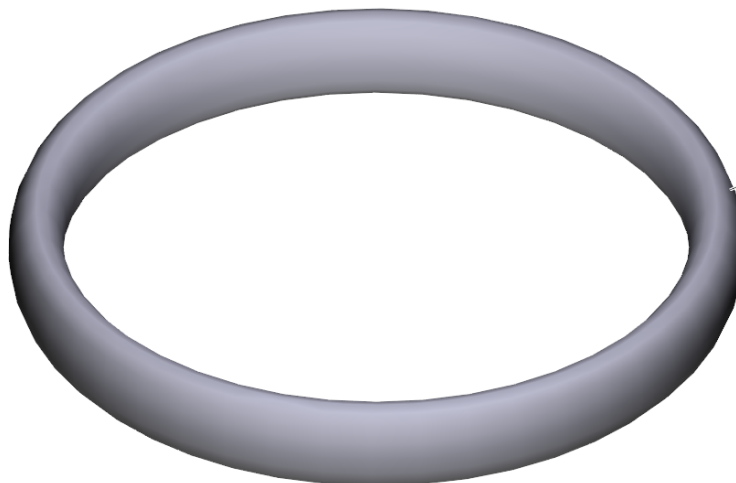
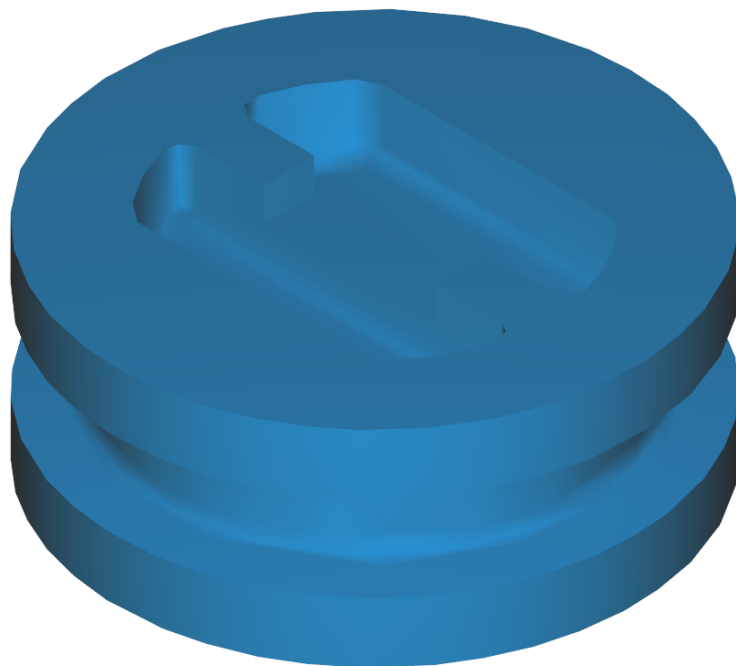
7 Suction valve complete (4.580-330.0)

POS	Article no.	Description	Quantity	Unit
86	6.363-614.0	O-Ring seal 9 x 2 -NBR90	2.000	ST
120	6.288-028.0	Silicon grease	1.000	ZST



10 Valve (3 Stück) (2.884-916.0)

POS	Article no.	Description	Quantity	Unit
15	6.362-077.0	O-Ring seal 10 x 2,2 NBR 70	1.000	ST



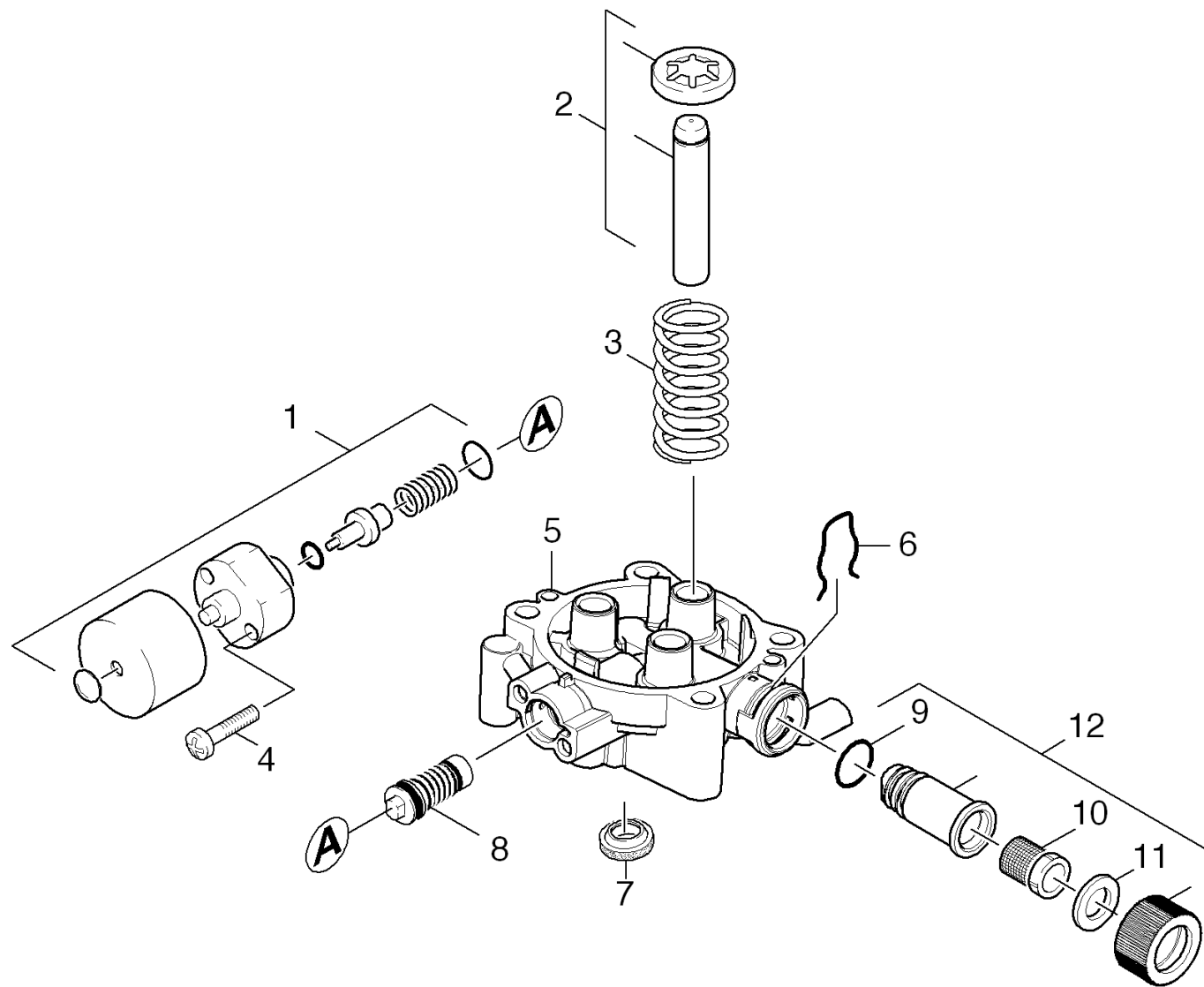
18

12 Drain plug only for replacement (4.132-007.0)

POS	Article no.	Description	Quantity	Unit
18	6.362-458.0	O-Ring seal 11,0x2,0-NBR 70	1.000	ST

13 Spare part set chemistry (2.883-862.0)

POS	Article no.	Description	Quantity	Unit
40	5.332-258.0	Helical spring	1.000	ST
44	5.443-448.0	Nipple chemistry	1.000	ST
100	5.110-714.0	Sleeve	1.000	ST
101	6.363-597.0	O-Ring seal 5,28 x 1,78	1.000	ST
102	6.362-451.0	O-Ring seal 8,0 x 1,0	1.000	ST
110	6.376-036.0	Label spare parts neutrally 65x55 MM	1.000	ZST
130	6.590-384.0	Bag PE 80x120 MM neutral	1.000	ST
150	7.401-908.0	Sphere 7 G300 -1.4301 DIN 5401	1.000	ST



24 Piston

POS	Article no.	Description	Quantity	Unit	Serial number from	Serial number to
1	4.580-360.0	Therموالve only for replacement 60 GRD	1.000	ST	0000000000	0000000000
2	4.553-228.0	Piston complete D12	3.000	ST	0000000000	0000000000
3	5.332-391.0	Pressure spring	3.000	ST	0000000000	0000000000
4	7.303-066.0	Screw M6x30 -St-R3R (In6Rd)	2.000	ST	0000000000	0000000000
5	5.061-287.0	Piston guidance anodized	1.000	ST	0000000000	0000000000
6	5.048-915.0	Clamp	1.000	ST	0000000000	0000000000
7	6.365-393.0	Oil sealing 12x20x4/6	3.000	ST	0000000000	0000000000
8	4.591-040.0	SPILL VALVE COMPLETE	1.000	ST	0000000000	0000000000
9	6.363-038.0	O-Ring seal 13X3 NBR 70	1.000	ST	0000000000	0000000000
10	6.414-252.0	Strainer	1.000	ST	0000000000	0000000000
11	5.364-129.0	Flat gasket	1.000	ST	0000000000	0000000000
12	9.172-316.0	SPARE PART KIT WATER INLET PUMP-016	1.000	ST	0000000000	0000000000

1 Thermovalve only for replacement 60 GRD (4.580-360.0)

POS	Article no.	Description	Quantity	Unit
36	4.132-011.0	Valve plug complete	1.000	ST
100	4.580-359.0	Thermovalve 60 GRD	1.000	ST
149	6.376-036.0	Label spare parts neutrally 65x55 MM	1.000	ZST
150	6.590-355.0	Bag PE 130x140 mm neutral	1.000	ST

36 Valve plug complete (4.132-011.0)

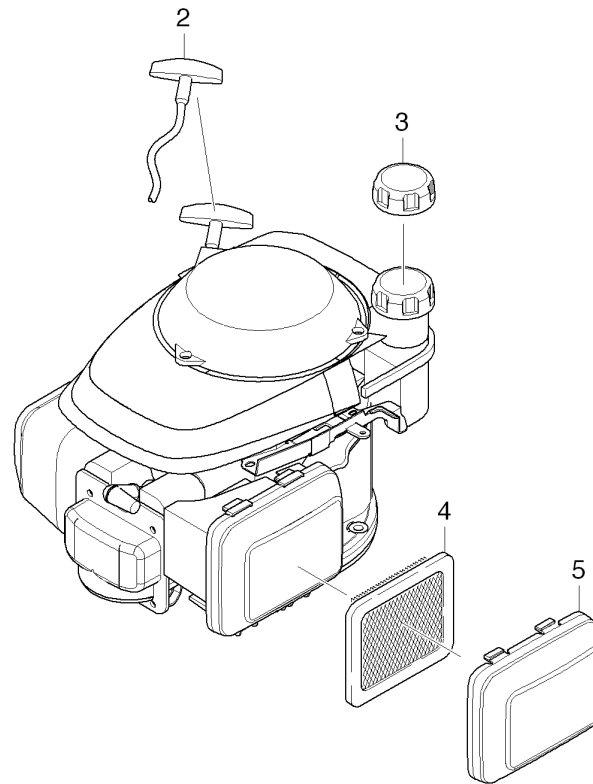
POS	Article no.	Description	Quantity	Unit
85	6.362-458.0	O-Ring seal 11,0x2,0-NBR 70	1.000	ST
120		Grease	0.400	G

100 Thermovalve 60 GRD (4.580-359.0)

POS	Article no.	Description	Quantity	Unit
26	5.587-196.0	Valve housing	1.000	ST
26	5.587-196.0	Valve housing	1.000	ST
54	5.394-522.0	Protecting cap black	1.000	ST
54	5.394-522.0	Protecting cap black	1.000	ST
86	7.362-507.0	O-Ring seal 8x2-NBR 90 DIN 3770	1.000	ST
86	7.362-507.0	O-Ring seal 8x2-NBR 90 DIN 3770	1.000	ST
94	6.362-553.0	O-Ring seal 14,0 X 1,1	1.000	ST
94	6.362-553.0	O-Ring seal 14,0 X 1,1	1.000	ST
100	6.413-403.0	Thermovalve 60°	1.000	ST
100	6.413-403.0	Thermovalve 60°	1.000	ST
120	6.288-028.0	Silicon grease	1.000	ZST
120	6.288-028.0	Silicon grease	1.000	ZST
122	6.343-129.0	Lock washer	1.000	ST
122	6.343-129.0	Lock washer	1.000	ST
149	6.376-036.0	Label spare parts neutrally 65x55 MM	1.000	ZST
149	6.376-036.0	Label spare parts neutrally 65x55 MM	1.000	ZST
150	6.590-355.0	Bag PE 130x140 mm neutral	1.000	ST
150	6.590-355.0	Bag PE 130x140 mm neutral	1.000	ST

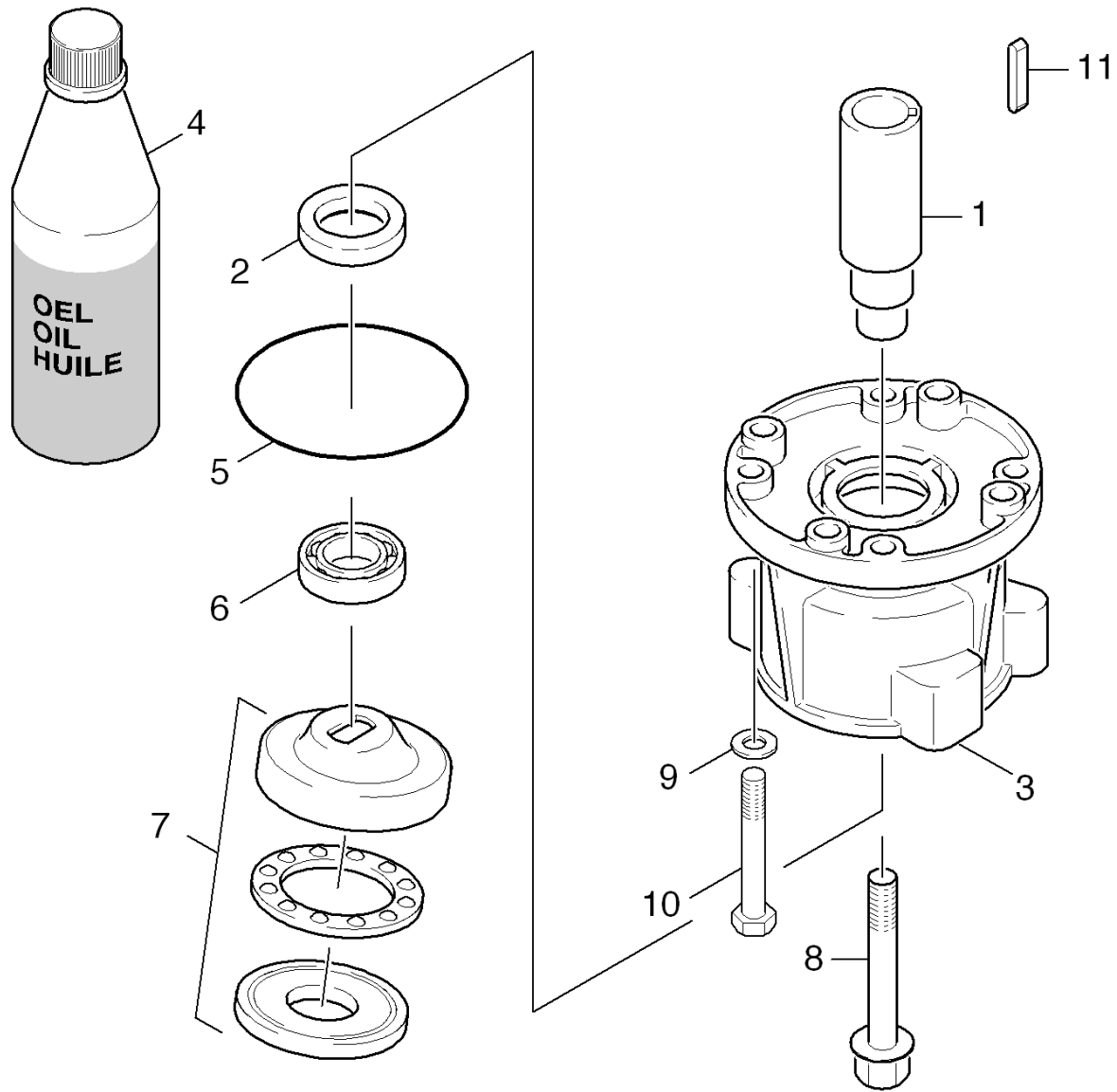
30 Motor

POS	Description	Quantity	Unit	Remark
31	Motor	1.000	ST	
32	Transmission	1.000	ST	VERSION 1
33	Transmission	1.000	ST	VERSION 3



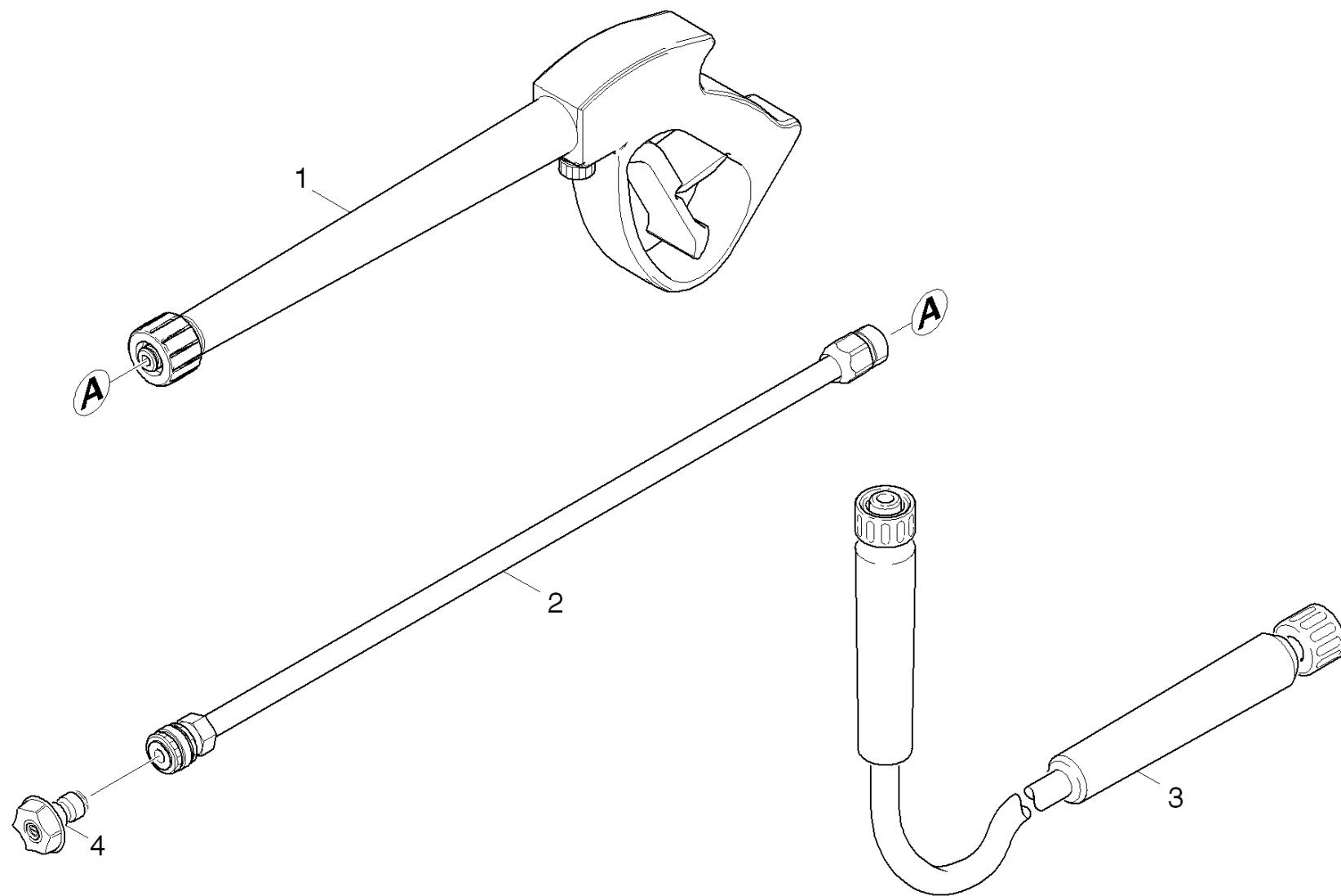
31 Motor

POS	Article no.	Description	Quantity	Unit	Serial number from	Serial number to
2	6.491-503.0	Handhold	1.000	ST	0000000000	0000000000
3	6.491-723.0	Cap of a tank	1.000	ST	0000000000	0000000000
4	6.491-726.0	Air filter insert	1.000	ST	0000000000	0000000000
5	9.194-543.0	Cover	1.000	ST	0000000000	0000000000



32 Transmission

POS	Article no.	Description	Quantity	Unit	Serial number from	Serial number to
1	9.154-031.0	PUMP SHAFT (VERT.)	1.000	ST	0000000000	0000000000
2	7.367-018.0	Radial shaft seal ring A26x37x7 -NBR DI	1.000	ST	0000000000	0000000000
3	9.135-001.0	HOUSING-VERTICAL	1.000	ST	0000000000	0000000000
4	6.288-050.0	Engine oil 1L	1.000	ST	0000000000	0000000000
5	6.362-471.0	O-Ring seal 80,0 X 3,0 -NBR 70	1.000	ST	0000000000	0000000000
6	7.401-155.0	Ball bearing 6304-WAELZLAGERST DIN 625	1.000	ST	0000000000	0000000000
7	6.401-289.0	Wobble plate	1.000	ST	0000000000	0000000000
8	6.304-048.0	Cylinder head screw M6x19	1.000	ST	0000000000	0000000000
9	5.115-656.0	Washer	4.000	ST	0000000000	0000000000
10	9.196-033.0	5/16-24UNF X 1.75 SOCKET HEAD CAP SCREW	4.000	ST	0000000000	0000000000
11	9.194-881.0	KEY SQR 3/16" x 1 47/64"	1.000	ST	0000000000	0000000000



40 Accessories

POS	Article no.	Description	Quantity	Unit
1	9.112-020.0	3200psi MV GUN KAERCHER	1.000	ST
2	9.112-533.0	Lance-AL Quick Connect-Male 3000 psi	1.000	ST
3	8.753-423.0	HOSE, HP DN6 25FT, 3600PSI M22	1.000	ST
4	9.104-016.0	QUICK CONNECT NOZZLE KIT (0325)	1.000	ST