

Spare parts list

(1.107-077.0) HD 2.3/26 CV

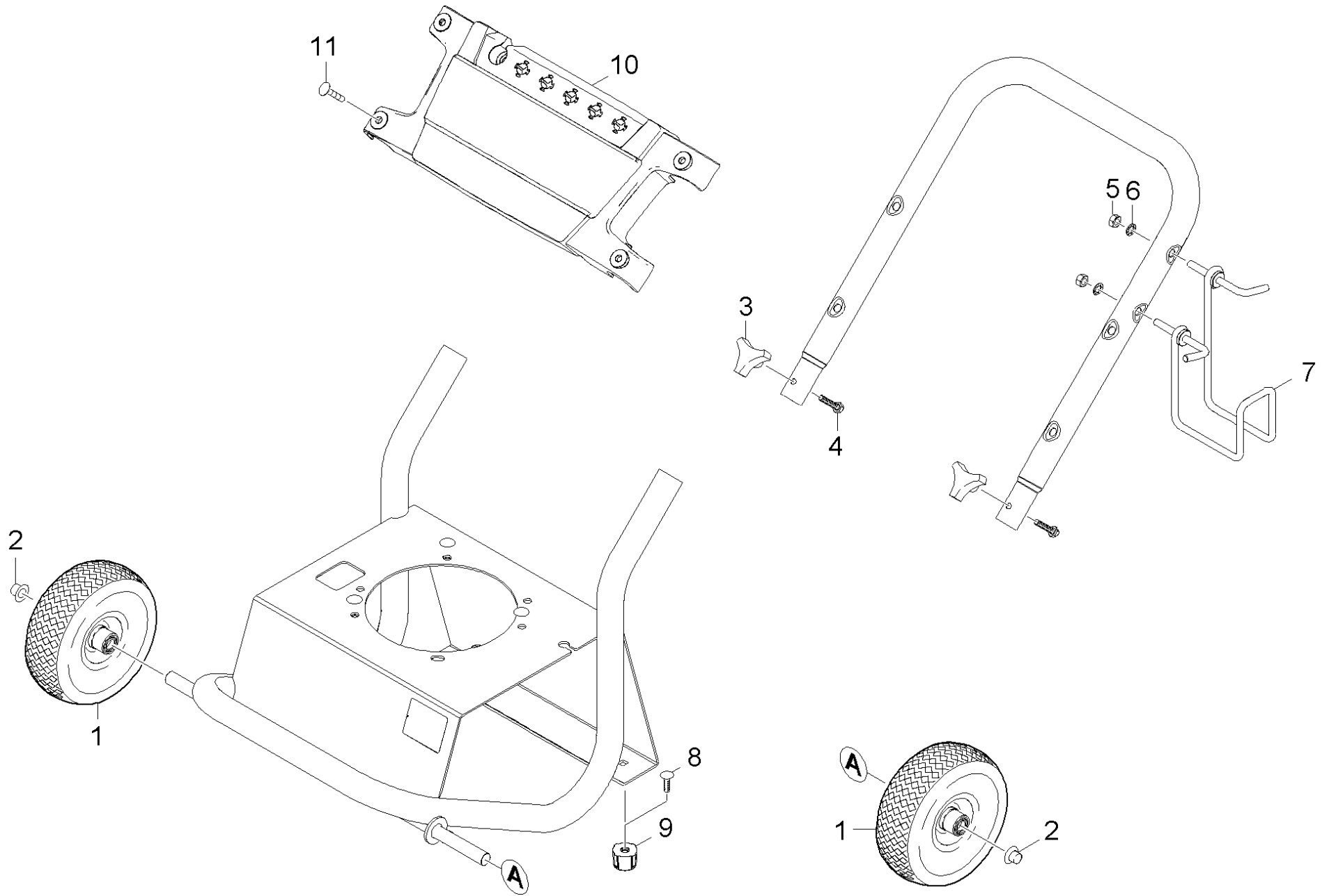
Table of contents

Order instructions	2
HD 2.3/26 CV (1.107-077.0)	6
200 Spare parts list G 2600 PH	7
10 Frame	8
20 Pump set	10
21 Cylinder head	11
1 Nozzle insert (4.769-035.0)	13
3 Throttle complete (4.030-109.0)	16
7 Suction valve complete (4.580-330.0)	17
10 Valve (3 Stück) (2.884-916.0)	18
12 Drain plug only for replacement (4.132-007.0)	20
13 Spare part set chemistry (2.883-862.0)	22
22 Piston	23
1 Thermo valve only for replacement 60 GRD (4.580-360.0)	25
36 Valve plug complete (4.132-011.0)	26
100 Thermo valve 60 GRD (4.580-359.0)	27
23 Cylinder head	28
1 Nozzle insert (4.769-035.0)	30
3 Throttle complete (4.030-109.0)	33
7 Suction valve complete (4.580-330.0)	34
10 Valve (3 Stück) (2.884-916.0)	35
12 Drain plug only for replacement (4.132-007.0)	37
13 Spare part set chemistry (2.883-862.0)	39
24 Piston	40
1 Thermo valve only for replacement 60 GRD (4.580-360.0)	42
36 Valve plug complete (4.132-011.0)	43
100 Thermo valve 60 GRD (4.580-359.0)	44
25 Cylinder head	45
9 Spare part set chemistry (2.883-862.0)	47
10 Drain plug only for replacement (4.132-007.0)	48
11 Valve (3 Stück) (2.884-916.0)	50
26 Piston	52
30 Motor	54
31 Motor	55
32 Transmission	57
33 Transmission	59
40 Accessories	61

POS	Description	Quantity	Unit
200	Spare parts list G 2600 PH	1.000	ST

200 Spare parts list G 2600 PH

POS	Description	Quantity	Unit
10	Frame	1.000	ST
20	Pump set	1.000	ST
30	Motor	1.000	ST
40	Accessories	1.000	ST

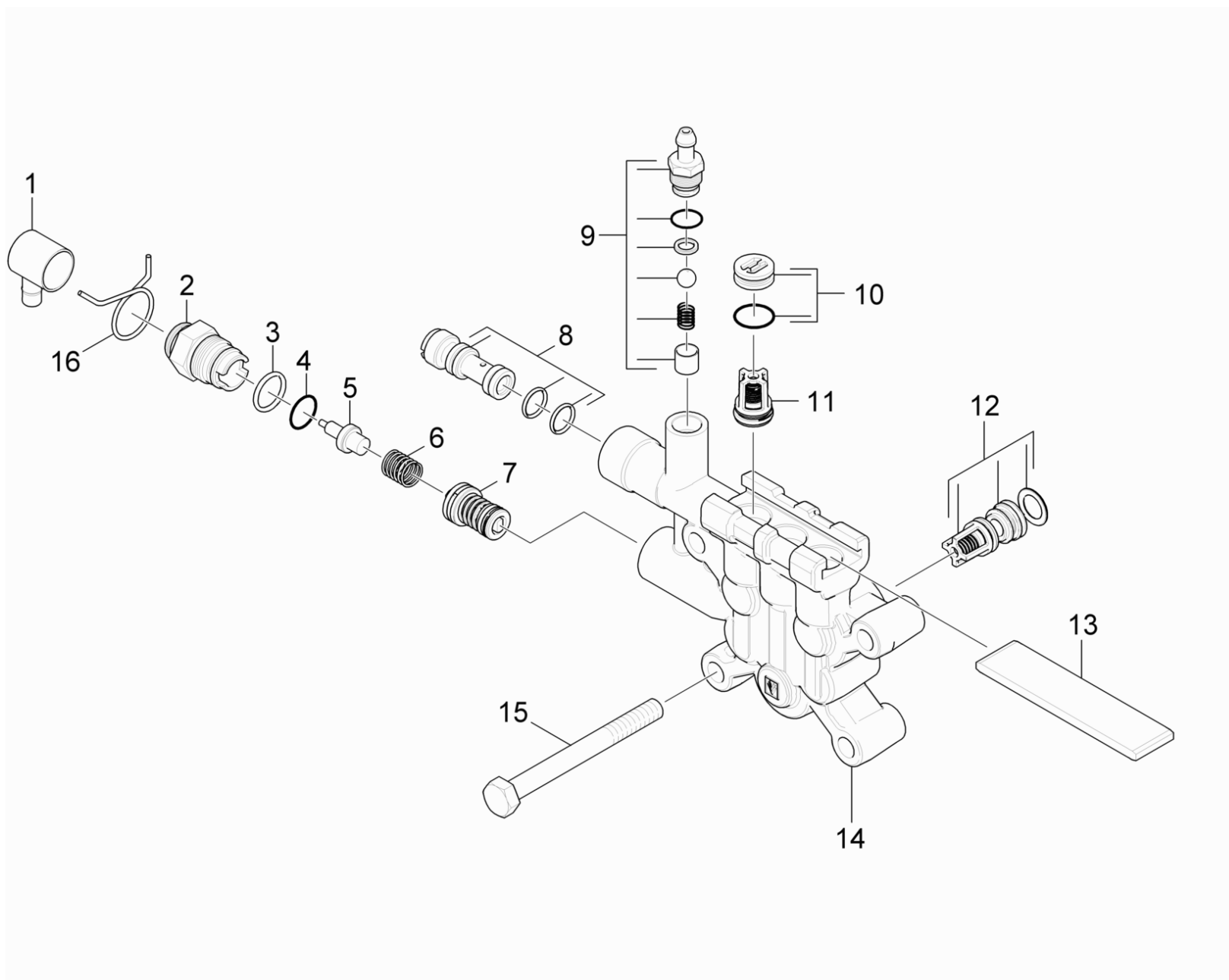


10 Frame

POS	Article no.	Description	Quantity	Unit	Serial number from	Foot note text
1	9.802-270.0	WHEEL & TIRE ASSY, 10" STEEL RIM W/TUBE	2.000	ST	102133	ARTICLE ONLY AVAILABLE AT KNA
2	9.182-506.0	CAP BLACK PLASTIC,5/8"FASTENER	2.000	ST		
3	9.182-353.0	KNOB 1/4"-20,3PT. STAR	2.000	ST		
4	9.196-307.0	1/4-20 x 1-1/2 GR 2 HEX BOLT ZINC	2.000	ST		
5	5.310-105.0	5/16"-18 FINISHED HEX NUT ZINC	2.000	ST		
6	9.198-003.0	5/16 INTERNAL L/W .332 ID X .620 OD ZINC	2.000	ST		
7	9.142-015.0	HANGER LT SIDE	1.000	ST		
8	9.196-308.0	5/16-18 X 1/2 CARRIAGE BOLT A307 BLK	2.000	ST		
9	9.183-405.0	RUBBER DAMPENER 5/16"-18FEMALE 2001	2.000	ST		
10	9.134-022.0	Name plate	1.000	ST		
11	9.196-049.0	Nylon Rivet	4.000	ST		

13 Spare part set chemistry (2.883-862.0)

POS	Article no.	Description	Quantity	Unit
40	5.332-258.0	Helical spring	1.000	ST
44	5.443-448.0	Nipple chemistry	1.000	ST
100	5.110-714.0	Sleeve	1.000	ST
101	6.363-597.0	O-Ring seal 5,28 x 1,78	1.000	ST
102	6.362-451.0	O-Ring seal 8,0 x 1,0	1.000	ST
110	6.376-036.0	Label spare parts neutrally 65x55 MM	1.000	ZST
130	6.590-384.0	Bag PE 80x120 MM neutral	1.000	ST
150	7.401-908.0	Sphere 7 G300 -1.4301 DIN 5401	1.000	ST

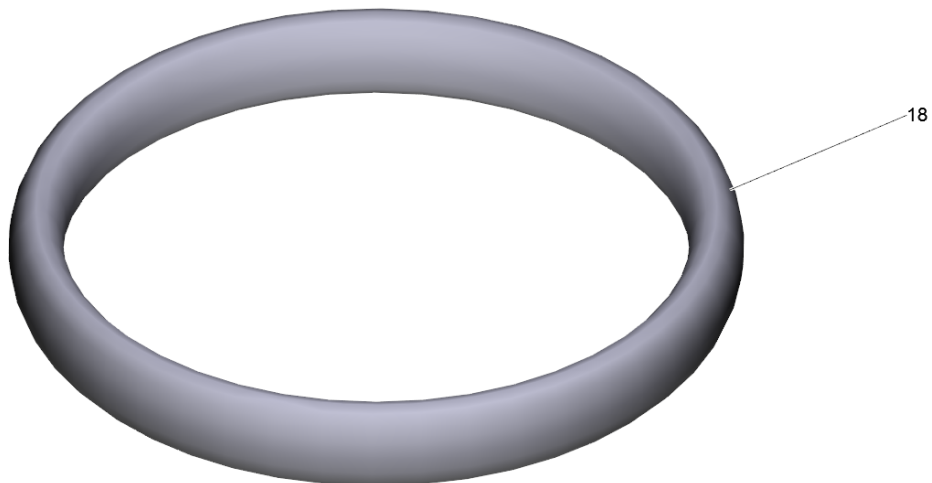
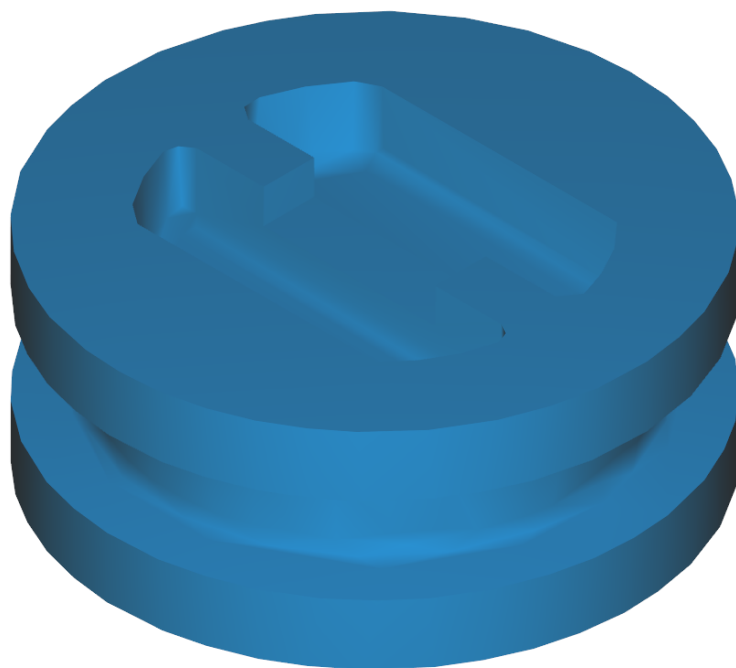


25 Cylinder head

POS	Article no.	Description	Quantity	Unit	Foot note text
1	8.752-076.0	VALVE, THERMAL COVER-LONG	1.000	ST	
2	9.184-018.0	Valve screw	1.000	ST	
3	6.362-480.0	O-Ring seal 12,42x 1,78	1.000	ST	
4	7.362-507.0	O-Ring seal 8x2-NBR 90 DIN 3770	1.000	ST	
5	6.413-403.0	Therموالve 60°	1.000	ST	
6	5.332-290.0	Helical spring	1.000	ST	
7	9.175-005.0	Unloader Assembly	1.000	ST	
8	9.139-372.0	SPARE PART LIST NOZZLE INS 020/021 PUMP	1.000	ST	
9	2.883-862.0	Spare part set chemistry	1.000	ST	
10	4.132-007.0	Drain plug only for replacement	3.000	ST	
11	2.884-916.0	Valve (3 Stück)	1.000	ST	SET CONSITSTS OF 3X VALVE
12	9.139-376.0	Valve 3 St.	1.000	ST	SET CONSITSTS OF 3X VALVE
13	5.003-062.0	Plate	1.000	ST	
14	9.135-015.0	Cylinder Head-Machined	1.000	ST	
15	7.304-098.0	Hexagonal head screw M8x80-8.8-A2E ISO	4.000	ST	
16	8.752-032.0	CLAMP, TENSION SPRING OD 11/16"	1.000	ST	

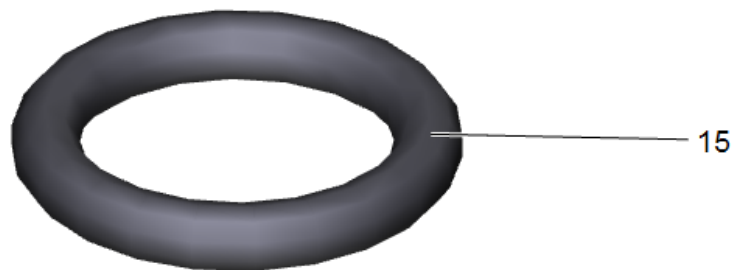
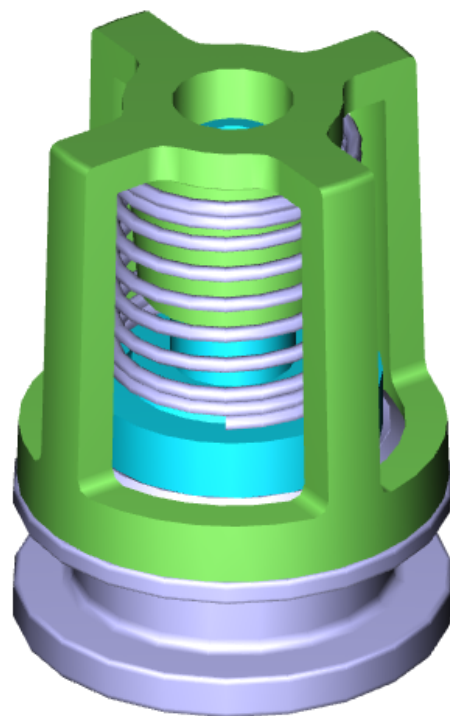
9 Spare part set chemistry (2.883-862.0)

POS	Article no.	Description	Quantity	Unit
40	5.332-258.0	Helical spring	1.000	ST
44	5.443-448.0	Nipple chemistry	1.000	ST
100	5.110-714.0	Sleeve	1.000	ST
101	6.363-597.0	O-Ring seal 5,28 x 1,78	1.000	ST
102	6.362-451.0	O-Ring seal 8,0 x 1,0	1.000	ST
110	6.376-036.0	Label spare parts neutrally 65x55 MM	1.000	ZST
130	6.590-384.0	Bag PE 80x120 MM neutral	1.000	ST
150	7.401-908.0	Sphere 7 G300 -1.4301 DIN 5401	1.000	ST



10 Drain plug only for replacement (4.132-007.0)

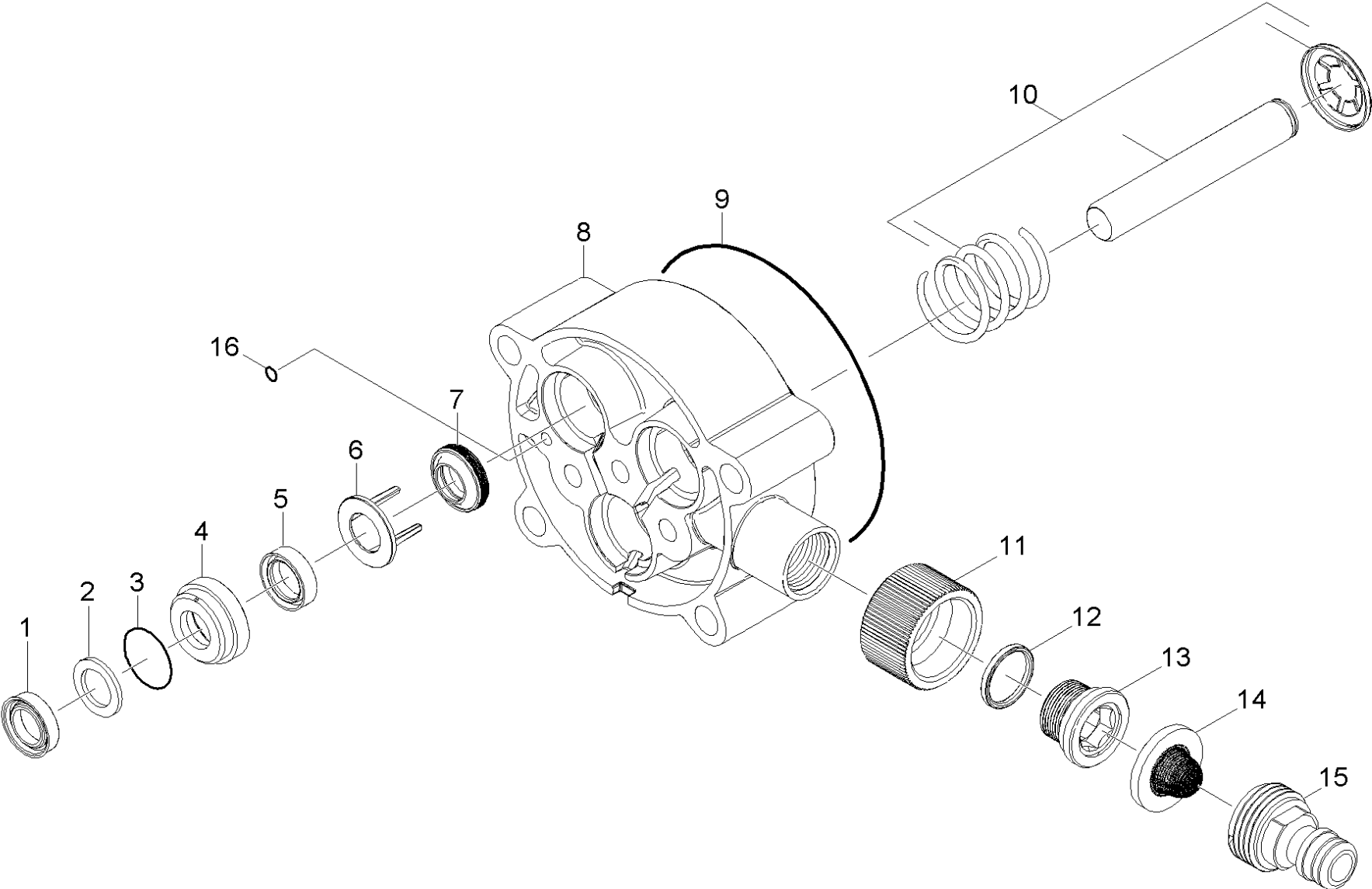
POS	Article no.	Description	Quantity	Unit
18	6.362-458.0	O-Ring seal 11,0x2,0-NBR 70	1.000	ST



15

11 Valve (3 Stück) (2.884-916.0)

POS	Article no.	Description	Quantity	Unit
15	6.362-077.0	O-Ring seal 10 x 2,2 NBR 70	1.000	ST

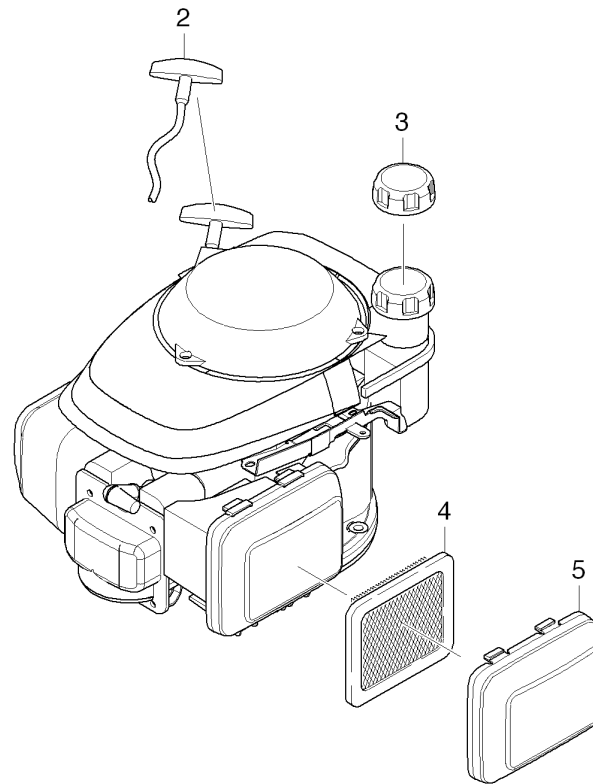


26 Piston

POS	Article no.	Description	Quantity	Unit
1	9.177-301.0	HIGH PRESSURE SEAL	3.000	ST
2	9.177-310.0	BACK RING-HIGH PRESSURE SEAL-	3.000	ST
3	6.362-833.0	O-Ring seal 21,5 x 1,78	3.000	ST
4	9.155-011.0	HOUSING-LOW PRESSURE SEAL	3.000	ST
5	6.363-058.0	Grooved ring 12x18x5 (90Shore)	3.000	ST
6	9.134-016.0	SPACER-OIL SEAL & SEAL HSG.	3.000	ST
7	6.365-393.0	Oil sealing 12x20x4/6	3.000	ST
8	9.133-007.0	Piston Guide-Machined	1.000	ST
9	6.362-471.0	O-Ring seal 80,0 X 3,0 -NBR 70	1.000	ST
10	9.139-370.0	SPARE PART LIST PISTON 020/021 PUMP	3.000	ST
11	9.155-013.0	FEMALE HOSE CONNECTOR	1.000	ST
12	6.362-390.0	O-Ring seal 15,6 X 1,78	1.000	ST
13	9.134-019.0	MALE ADAPTER	1.000	ST
14	9.181-005.0	FILTER SEAL-HOSE CONNECTOR-	1.000	ST
15	6.645-538.0	Tap adaptor complete US w/m thread	1.000	ST
16	6.363-626.0	O-Ring seal 4,47x1,78 -NBR90	1.000	ST

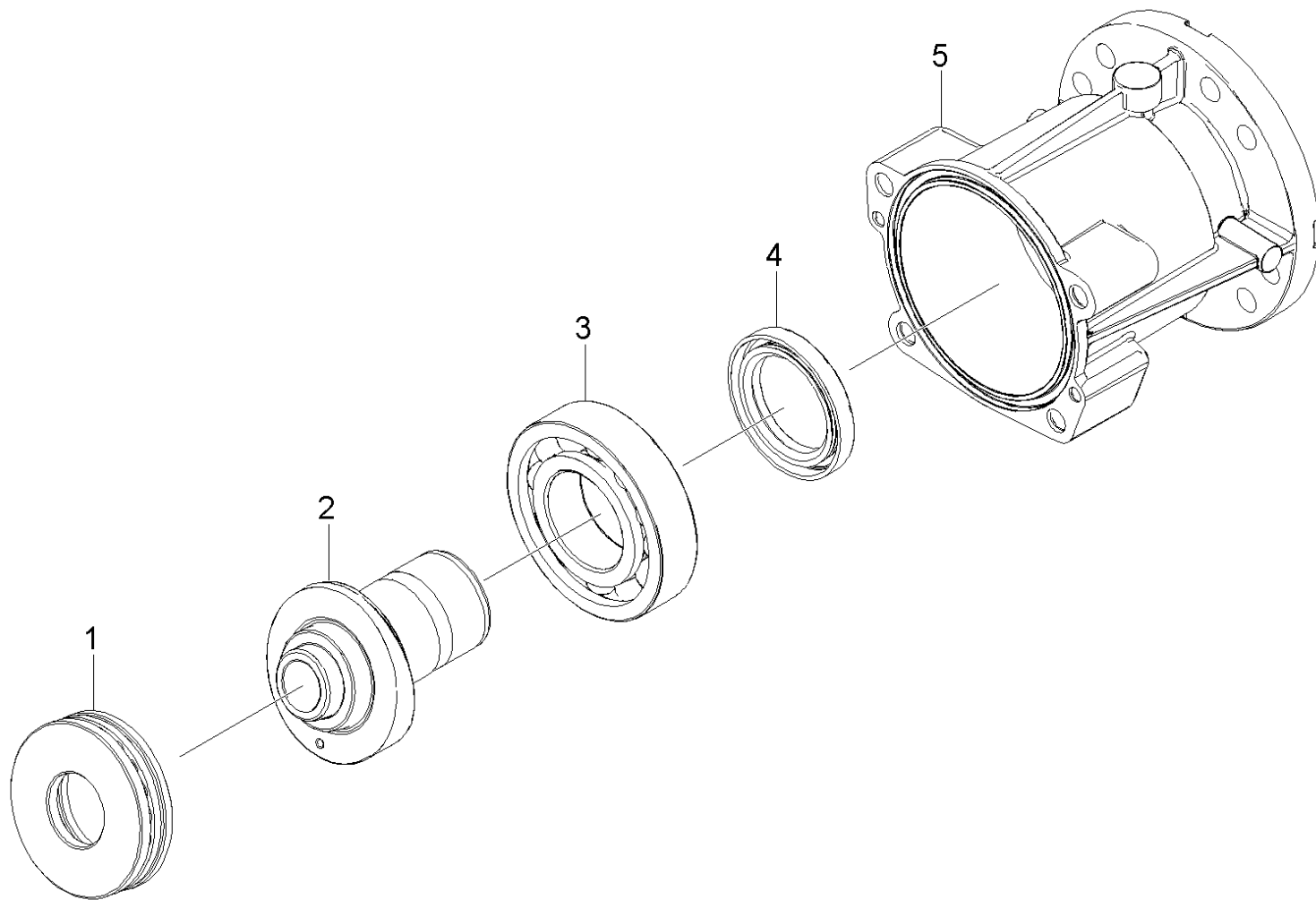
30 Motor

POS	Description	Quantity	Unit	Remark
31	Motor	1.000	ST	
32	Transmission	1.000	ST	VERSION 1
33	Transmission	1.000	ST	VERSION 3



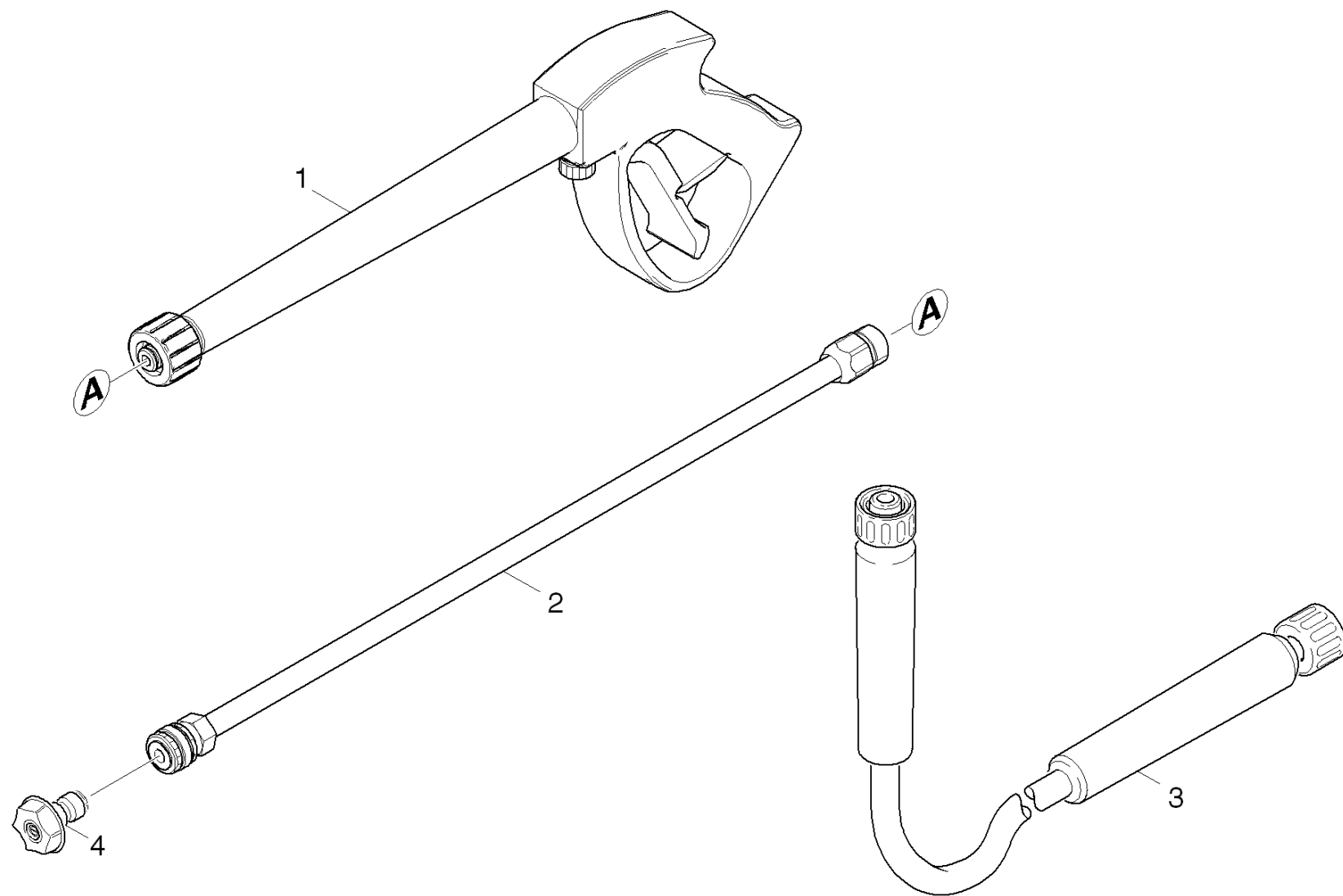
31 Motor

POS	Article no.	Description	Quantity	Unit	Serial number from	Serial number to
2	6.491-503.0	Handhold	1.000	ST	0000000000	0000000000
3	6.491-723.0	Cap of a tank	1.000	ST	0000000000	0000000000
4	6.491-726.0	Air filter insert	1.000	ST	0000000000	0000000000
5	9.194-543.0	Cover	1.000	ST	0000000000	0000000000



33 Transmission

POS	Article no.	Description	Quantity	Unit
1	9.165-355.0	GROOVED BALL BEARING	1.000	ST
2	9.135-017.0	Swash Plate Vertical-Machined-	1.000	ST
3	9.165-356.0	BALL BEARING NO. 6207	1.000	ST
4	9.177-314.0	Radial Seal, 35x52x7	1.000	ST
5	9.135-016.0	Oil Housing Vertical Machined	1.000	ST



40 Accessories

POS	Article no.	Description	Quantity	Unit
1	9.112-020.0	3200psi MV GUN KAERCHER	1.000	ST
2	9.112-533.0	Lance-AL Quick Connect-Male 3000 psi	1.000	ST
3	8.753-423.0	HOSE, HP DN6 25FT, 3600PSI M22	1.000	ST
4	9.104-016.0	QUICK CONNECT NOZZLE KIT (0325)	1.000	ST