

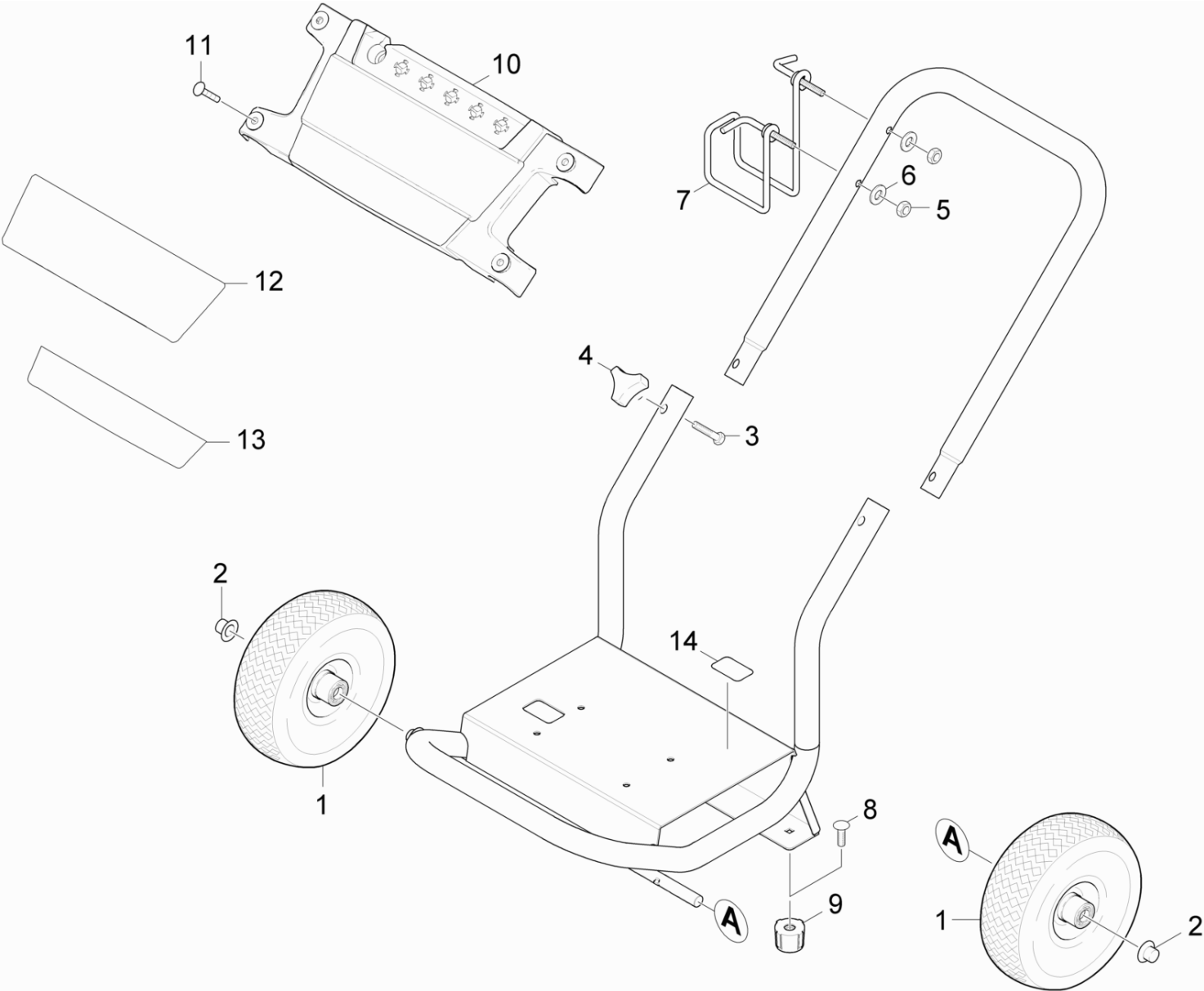
Spare parts list
(9.139-203.0) Spare parts list G 3050 OH

Table of contents

Spare parts list G 3050 OH (9.139-203.0)	6
10 Frame (0.103-330.0)	7
20 Pump set (0.103-331.0)	9
21 Cylinder head (0.103-332.0)	10
22 Piston (0.103-333.0)	12
23 Cylinder head (0.109-192.0)	14
9 Spare part set chemistry (2.883-862.0)	16
24 Piston (0.109-193.0)	17
30 Motor (0.103-334.0)	19
31 Motor (0.103-335.0)	20
32 Transmission (0.103-336.0)	22
33 Transmission (0.109-194.0)	24
40 Accessories (0.103-337.0)	26

Spare parts list G 3050 OH (9.139-203.0)

Pos	Material #	Name
10	0.103-330.0	Frame
20	0.103-331.0	Pump set
30	0.103-334.0	Motor
40	0.103-337.0	Accessories

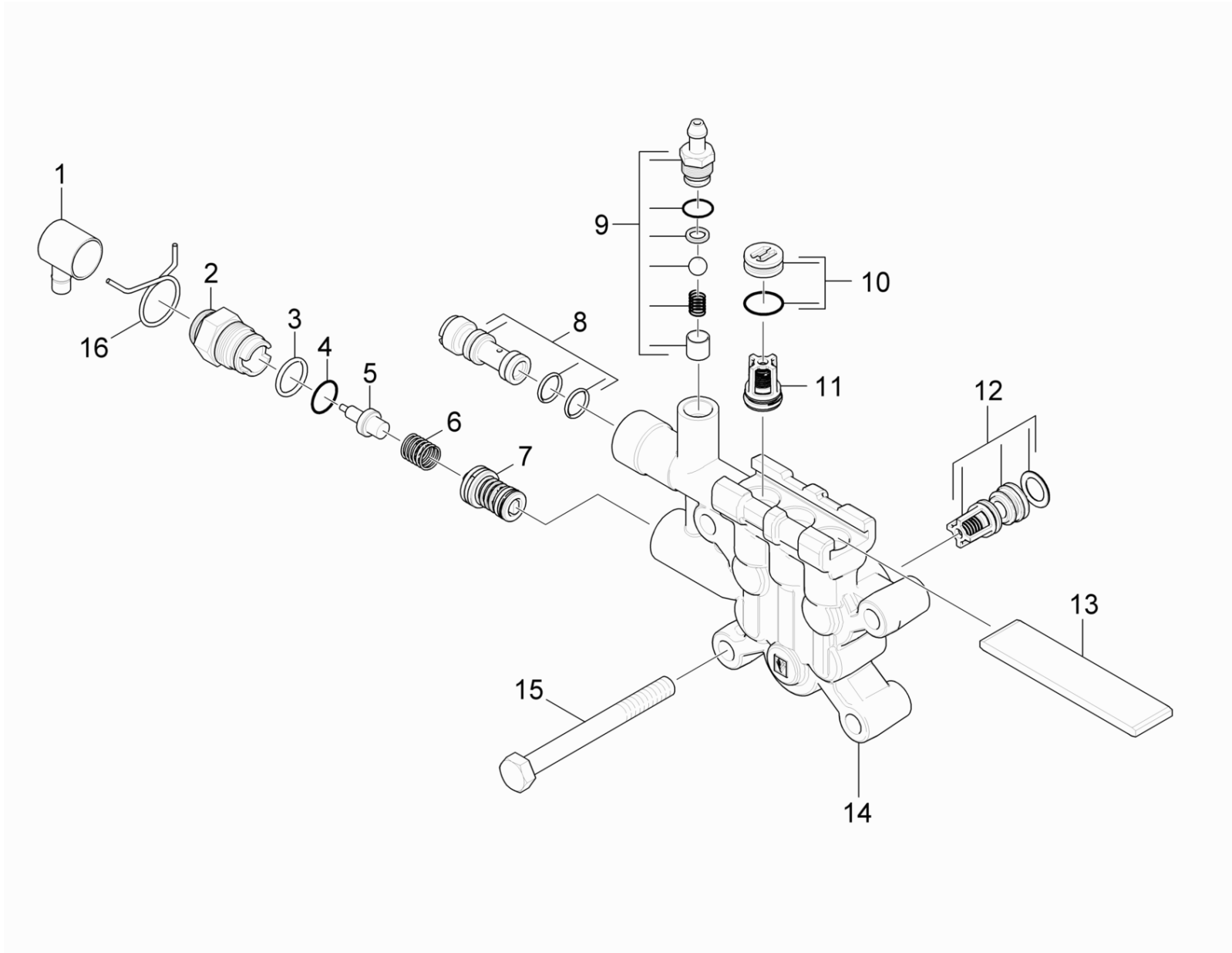


10 Frame (0.103-330.0)

Pos	Material #	Name	Qty.	Unit	from ser.nr.	up to ser.nr.
1	9.189-007.0	WHEEL 10" X 3.50" PNEU	2.000	ST	0000000000	0000000000
2	9.182-506.0	CAP BLACK PLASTIC,5/8"FASTENER	2.000	ST	0000000000	0000000000
3	9.196-307.0	1/4-20 x 1-1/2 GR 2 HEX BOLT ZINC	2.000	ST	0000000000	0000000000
4	9.182-353.0	KNOB 1/4"-20,3PT. STAR	2.000	ST	0000000000	0000000000
5	9.802-786.0	*NUT, 5/16, HEX, NC	2.000	ST	0000000000	0000000000
6	9.198-003.0	5/16 INTERNAL L/W .332 ID X .620 OD ZINC	2.000	ST	0000000000	0000000000
7	9.142-014.0	HANGER RT SIDE	1.000	ST	0000000000	0000000000
8	9.196-052.0	Hex Flange Cap Screw 5/16-18 x 3/4"	1.000	ST	0000000000	0000000000
9	9.183-411.0	Rubber buffer	1.000	ST	0000000000	0000000000
10	9.134-022.0	Name plate	1.000	ST		
11	9.196-049.0	Nylon Rivet	4.000	ST		
12	9.138-383.0	Universal Top Plate Label-5 Nozzles	1.000	ST		
13	9.138-398.0	3000 PSI-Universal Plate Label	1.000	ST		
14	5.387-620.0	Warning sticker-Prevent from freezing	1.000	ST		
Position text: 1.107-182.0						

20 Pump set (0.103-331.0)

Pos	Material #	Name	Qty.	Unit	var. information
21	0.103-332.0	Cylinder head	1.000	ST	VERSION 1
22	0.103-333.0	Piston	1.000	ST	VERSION 1
23	0.109-192.0	Cylinder head	1.000	ST	VERSION 2
24	0.109-193.0	Piston	1.000	ST	VERSION 2

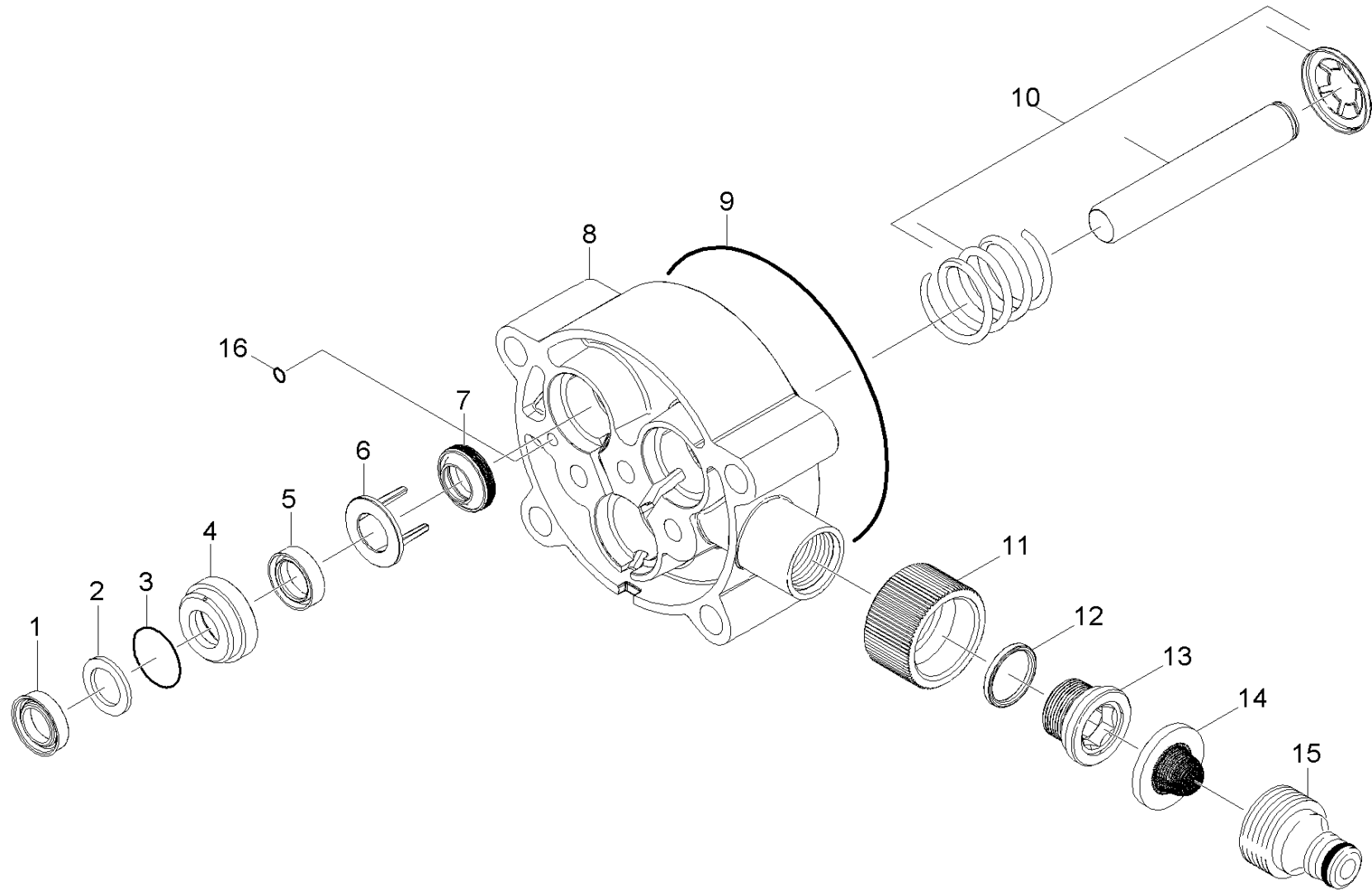


23 Cylinder head (0.109-192.0)

ET/VT (spare/wear parts)	Pos	Material #	Name	Qty.	Unit	Footnote text
	1	8.752-076.0	VALVE, THERMAL COVER-LONG	1.000	ST	
	2	9.184-018.0	Valve screw	1.000	ST	
X-X	3	6.362-480.0	O-Ring seal 12,42x 1,78	1.000	ST	
	4	7.362-507.0	O-Ring seal 8x2-NBR 90 DIN 3770	1.000	ST	
	5	6.413-403.0	TERMO VALVE TIN COATED	1.000	ST	
	6	5.332-290.0	Helical spring	1.000	ST	
	7	9.175-005.0	Unloader Assembly	1.000	ST	
	8	9.139-372.0	SPARE PART LIST NOZZLE INS 020/021 PUMP	1.000	ST	
X-X	9	2.883-862.0	Spare part set chemistry	1.000	ST	
X-X	10	4.132-007.0	Drain plug only for replacement	3.000	ST	
X-X	11	2.884-916.0	Valve (3 Stück)	1.000	ST	SET CONSITSTS OF 3X VALVE
X	12	9.139-376.0	Valve 3 St.	1.000	ST	SET CONSITSTS OF 3X VALVE
	13	5.003-062.0	Plate	1.000	ST	
	14	9.135-015.0	Cylinder Head-Machined	1.000	ST	
	15	7.304-098.0	Hexagonal head screw M8x80-8.8-A2E ISO	4.000	ST	
	16	8.752-032.0	CLAMP, TENSION SPRING OD 11/16"	1.000	ST	

9 Spare part set chemistry (2.883-862.0)

ET/VT (spare/wear parts)	Pos	Material #	Name	Qty.	Unit
	10	5.110-714.0	Sleeve	1.000	ST
	20	5.332-258.0	Helical spring	1.000	ST
	30	5.380-014.0	Label	1.000	ST
	40	5.443-448.0	Nipple chemistry	1.000	ST
X-X	50	6.362-175.0	O-Ring seal 5,28x 1,78	1.000	ST
	60	6.362-451.0	O-Ring seal 8,0 x 1,0	1.000	ST
	70	7.401-909.0	Sphere 7 G40 -1.4401 DIN 5401	1.000	ST

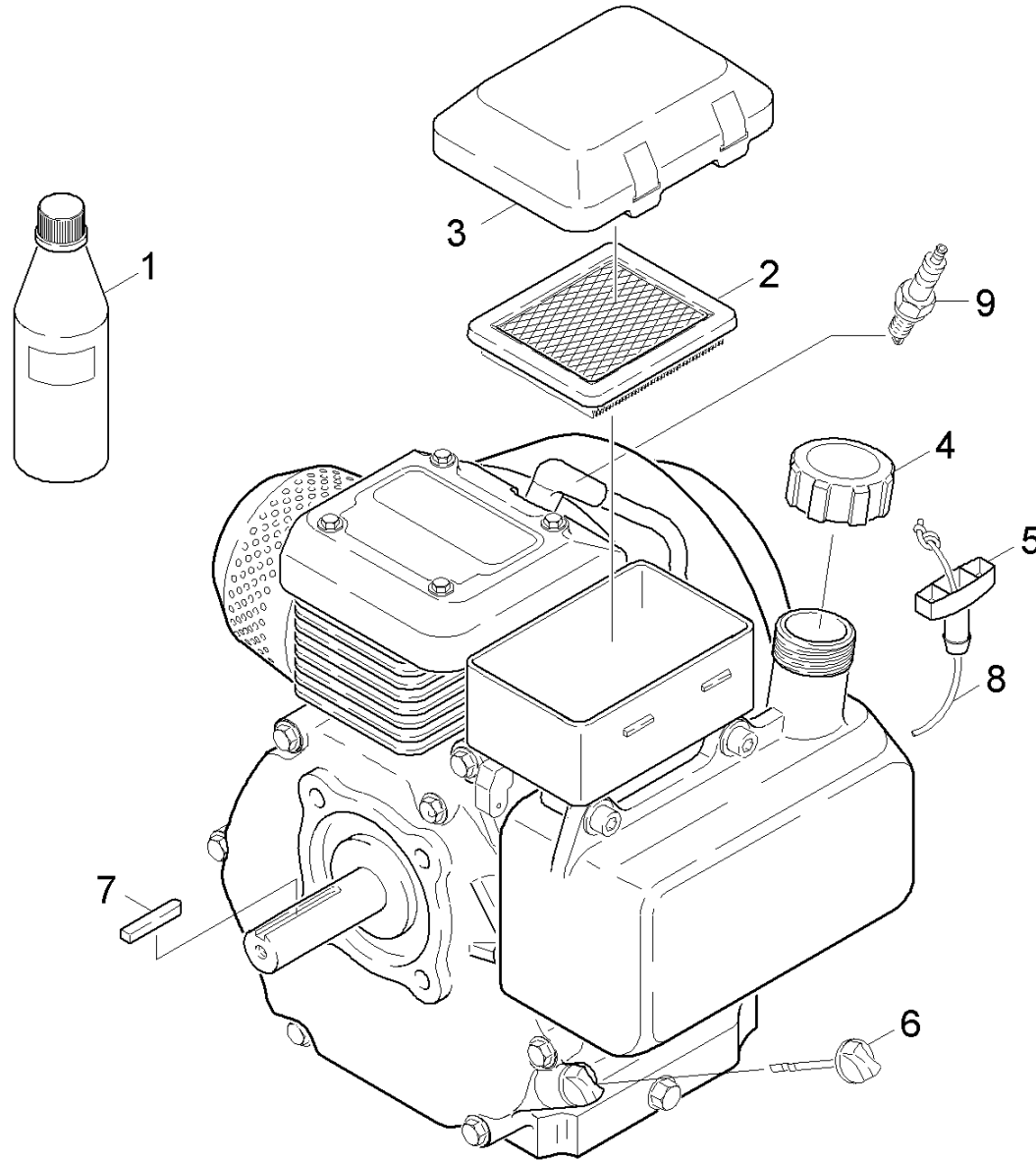


24 Piston (0.109-193.0)

ET/VT (spare/wear parts)	Pos	Material #	Name	Qty.	Unit
X-X	1	9.177-301.0	HIGH PRESSURE SEAL	3.000	ST
	2	9.177-310.0	BACK RING-HIGH PRESSURE SEAL-	3.000	ST
X	3	6.362-833.0	O-Ring seal 21,5 x 1,78	3.000	ST
	4	9.155-011.0	HOUSING-LOW PRESSURE SEAL	3.000	ST
X	5	6.363-058.0	Grooved ring 12x18x5 (90Shore)	3.000	ST
	6	9.134-016.0	SPACER-OIL SEAL & SEAL HSG.	3.000	ST
X-X	7	6.365-393.0	Oil sealing 12x20x4/6	3.000	ST
	8	9.133-007.0	Piston Guide-Machined	1.000	ST
	9	6.362-471.0	O-Ring seal 80,0 X 3,0 -NBR 70	1.000	ST
	10	9.139-370.0	SPARE PART LIST PISTON 020/021 PUMP	3.000	ST
	11	9.155-013.0	FEMALE HOSE CONNECTOR	1.000	ST
X-X	12	6.362-390.0	O-Ring seal 15,6 X 1,78	1.000	ST
X-X	13	9.134-019.0	MALE ADAPTER	1.000	ST
X	14	9.181-005.0	FILTER SEAL-HOSE CONNECTOR-	1.000	ST
X-X	15	6.645-538.0	Tap adaptor complete US w/m thread	1.000	ST
	16	6.363-190.0	O-Ring seal 4,47x1,78-NBR 90	1.000	ST

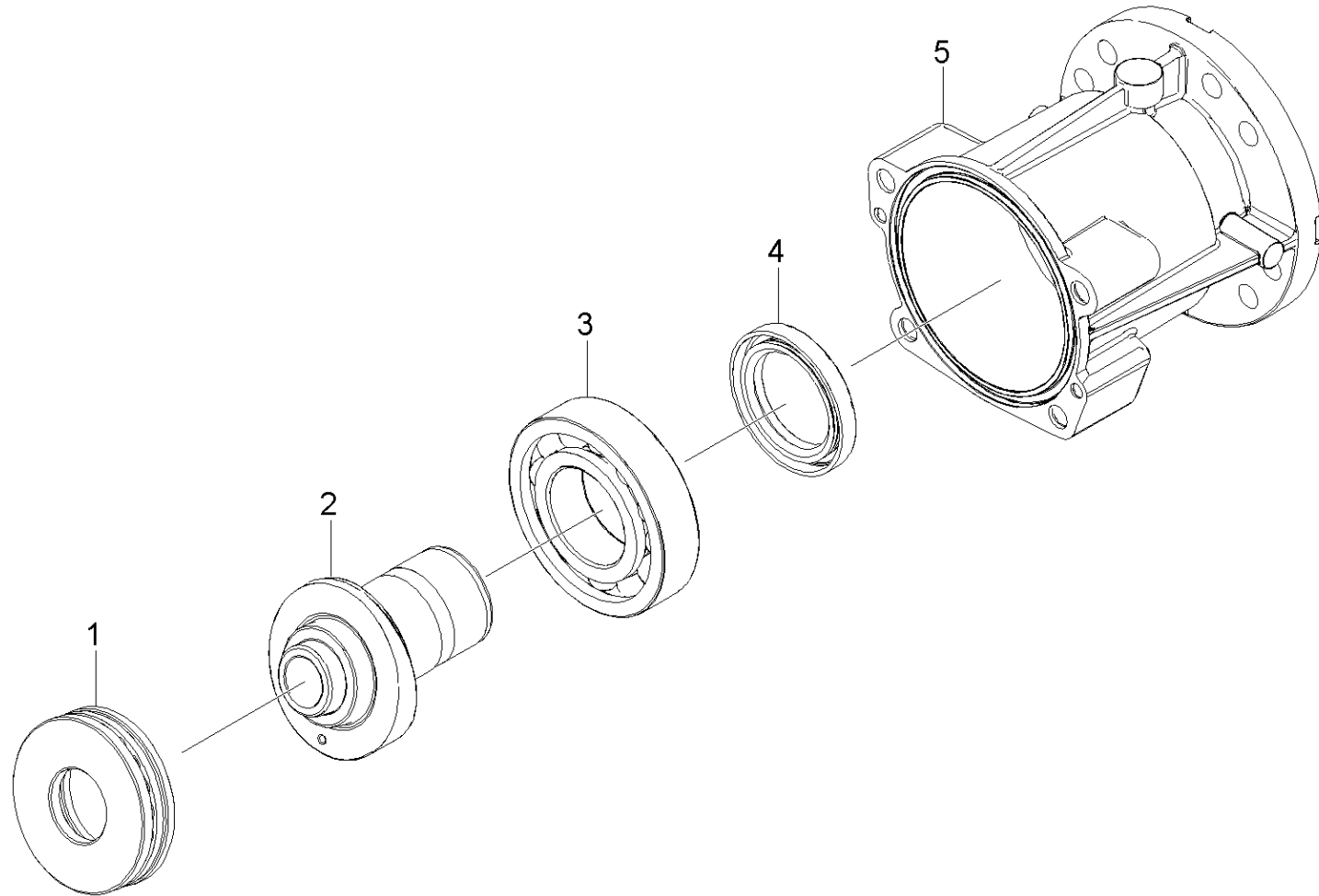
30 Motor (0.103-334.0)

Pos	Material #	Name	Qty.	Unit	var. information
31	0.103-335.0	Motor	1.000	ST	
32	0.103-336.0	Transmission	1.000	ST	VERSION 1
33	0.109-194.0	Transmission	1.000	ST	VERSION 2



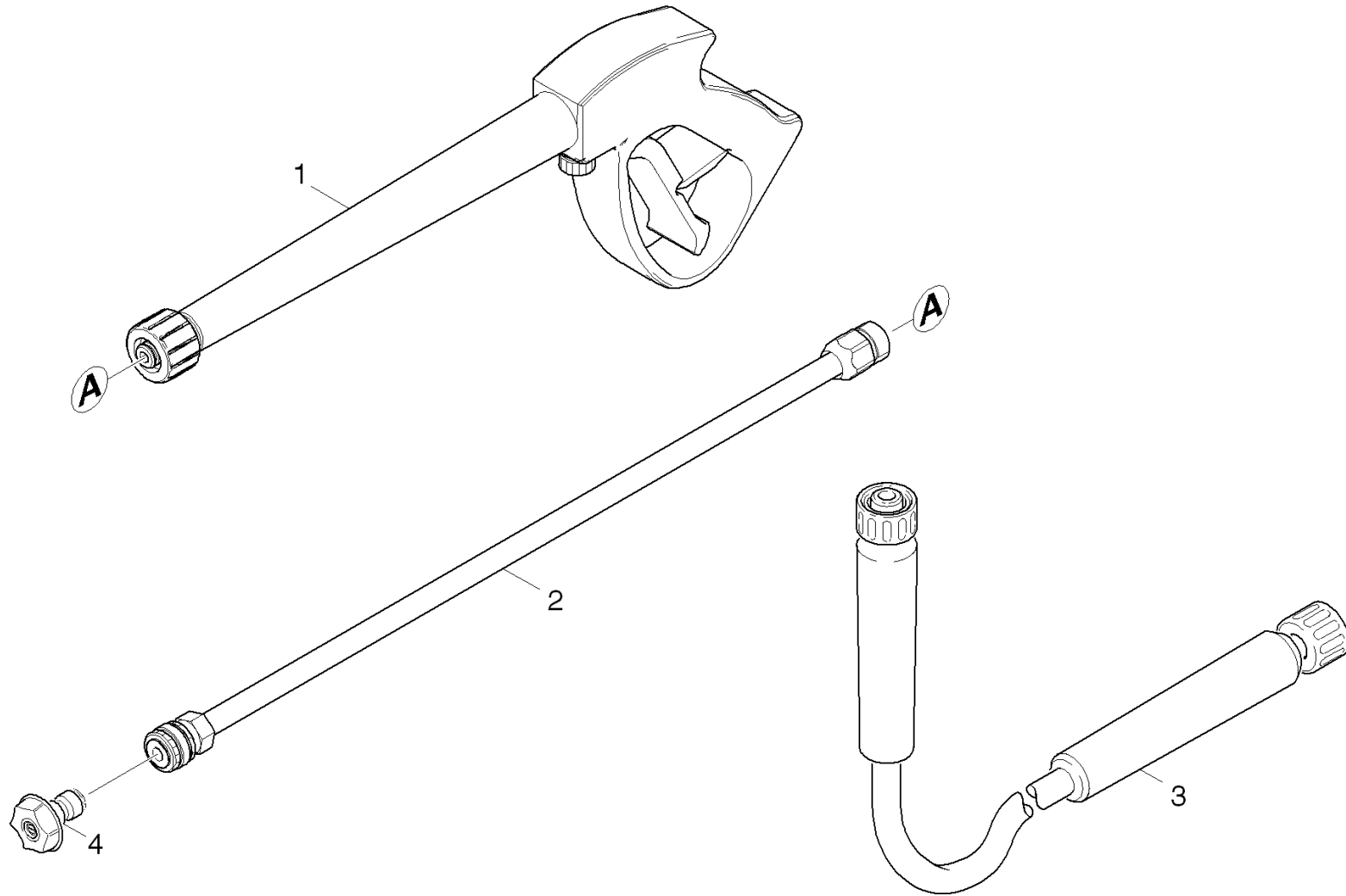
31 Motor (0.103-335.0)

ET/VT (spare/wear parts)	Pos	Material #	Name	Qty.	Unit
X-X	1	6.288-050.0	Engine oil 1L	1.000	ST
	2	6.491-726.0	Air filter insert	1.000	ST
	3	9.194-543.0	Cover	1.000	ST
	4	6.491-723.0	Cap of a tank	1.000	ST
	5	6.491-503.0	Handhold	1.000	ST
	6	9.194-531.0	OIL DIP ROD	1.000	ST
	7	9.194-883.0	Shaft key 3/16"SQx1.5"	1.000	ST
	8	6.491-546.0	Pull cord	1.000	ST
	9	6.491-550.0	Ignition plug BPR6ES	1.000	ST



33 Transmission (0.109-194.0)

Pos	Material #	Name	Qty.	Unit
1	9.165-355.0	GROOVED BALL BEARING	1.000	ST
2	9.135-018.0	Swash Plate Horizontal-Machined	1.000	ST
3	9.165-356.0	BALL BEARING NO. 6207	1.000	ST
4	9.177-314.0	Radial Seal, 35x52x7	1.000	ST
5	9.135-016.0	Oil Housing Vertical Machined	1.000	ST



40 Accessories (0.103-337.0)

Pos	Material #	Name	Qty.	Unit	var. information
1	9.112-020.0	3200psi MV GUN KAERCHER	1.000	ST	
2	9.112-533.0	Lance-AL Quick Connect-Male 3000 psi	1.000	ST	
3	9.162-321.0	HP HOSE DN6/25'/3000/KA/BLK/PLSTC	1.000	ST	
4	9.104-024.0	QUICK CONNECT NOZZLE KIT (030)	1.000	ST	0305
4	9.104-016.0	QUICK CONNECT NOZZLE KIT (0325)	1.000	ST	0325