



Spare parts list

(15751060) HD 2.6/26 P

2009 02

59704770

www.kaercher.com

EN

CONTENT LIST

1.0 Frame

2.0 Pump set

2.1 Valves

VERSION 1

2.2 Piston

VERSION 1

2.3 VALVES

VERSION 2

2.4 PISTON

VERSION 2

2.5 Cylinder head

VERSION 3

2.6 Piston

VERSION 3

3.0 Motor

3.1 Motor

3.2 Transmission

VERSION 1

3.3 ACTUATION

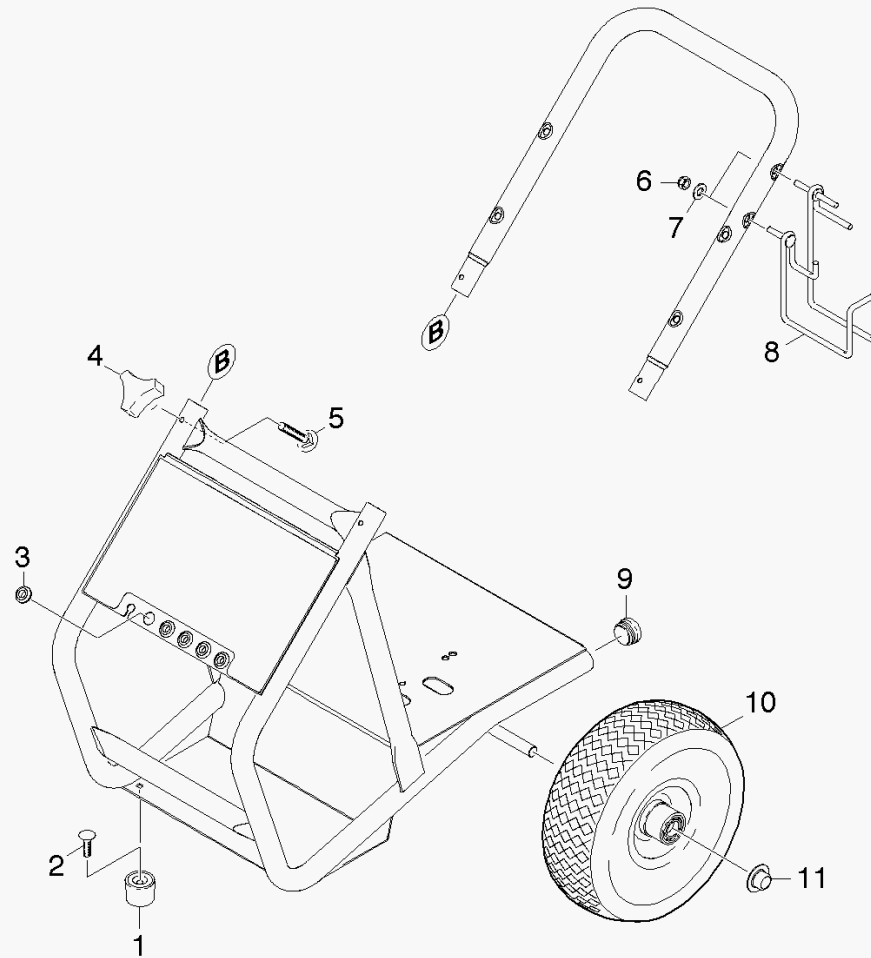
VERSION 2

3.4 Transmission

VERSION 3

4.0 Accessories

1.0 Frame



1.0 Frame

POS	DESCRIPTION	PART NO	QTY.	FROM SER.NR.	UP TO SER. NR.
	ADDITIONAL INFORMATIONS				
1	Rubber buffer	91834010	2		
2	5/16-18 X 1/2 CARRIAGE BOLT A307 BLK	91963080	2		
3	Sleeve rubber	91772040	5		
4	KNOB 1/4"-20,3PT. STAR	91823530	2		
5	Saucer-head screw M 6x40-St-A0P DIN 603	73032000	2		
6	5/16"-18 FINISHED HEX NUT ZINC	53101050	2		
7	5/16 INTERNAL L/W .332 ID X .620 OD ZINC	91980030	2		
8	HANGER WELD ASSY 45DEG LEFT (SOLO)	91420100	1		
9	BLACK,PLUG PLASTIC	91830010	2		
10	WHEEL 10" X 3.50" PNEU	91890070	2		
11	Cap	91820040	2		

2.0 Pump set

2.1 Valves

VERSION 1

2.2 Piston

VERSION 1

2.3 VALVES

VERSION 2

2.4 PISTON

VERSION 2

2.5 Cylinder head

VERSION 3

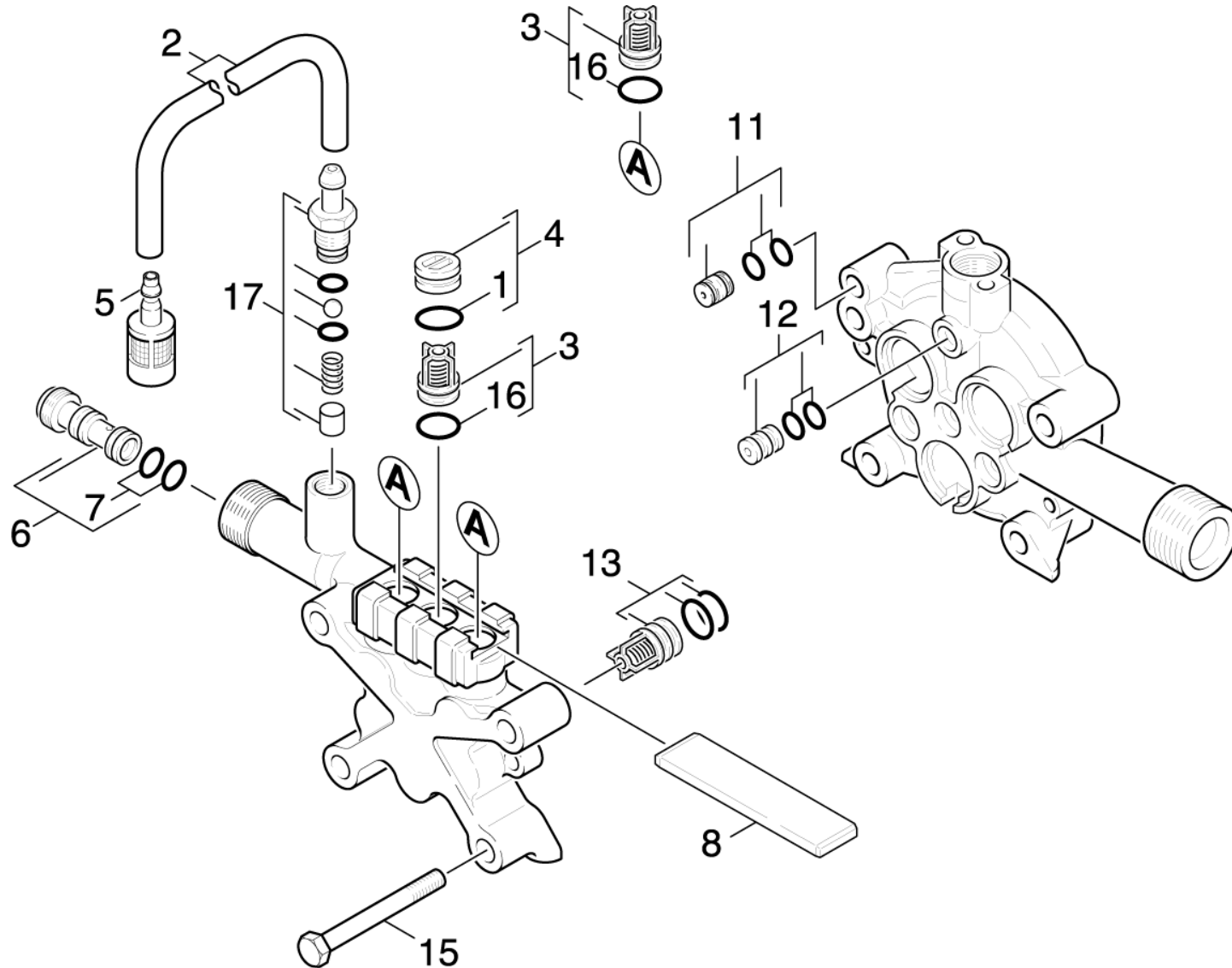
2.6 Piston

VERSION 3



2.3 VALVES

VERSION 2



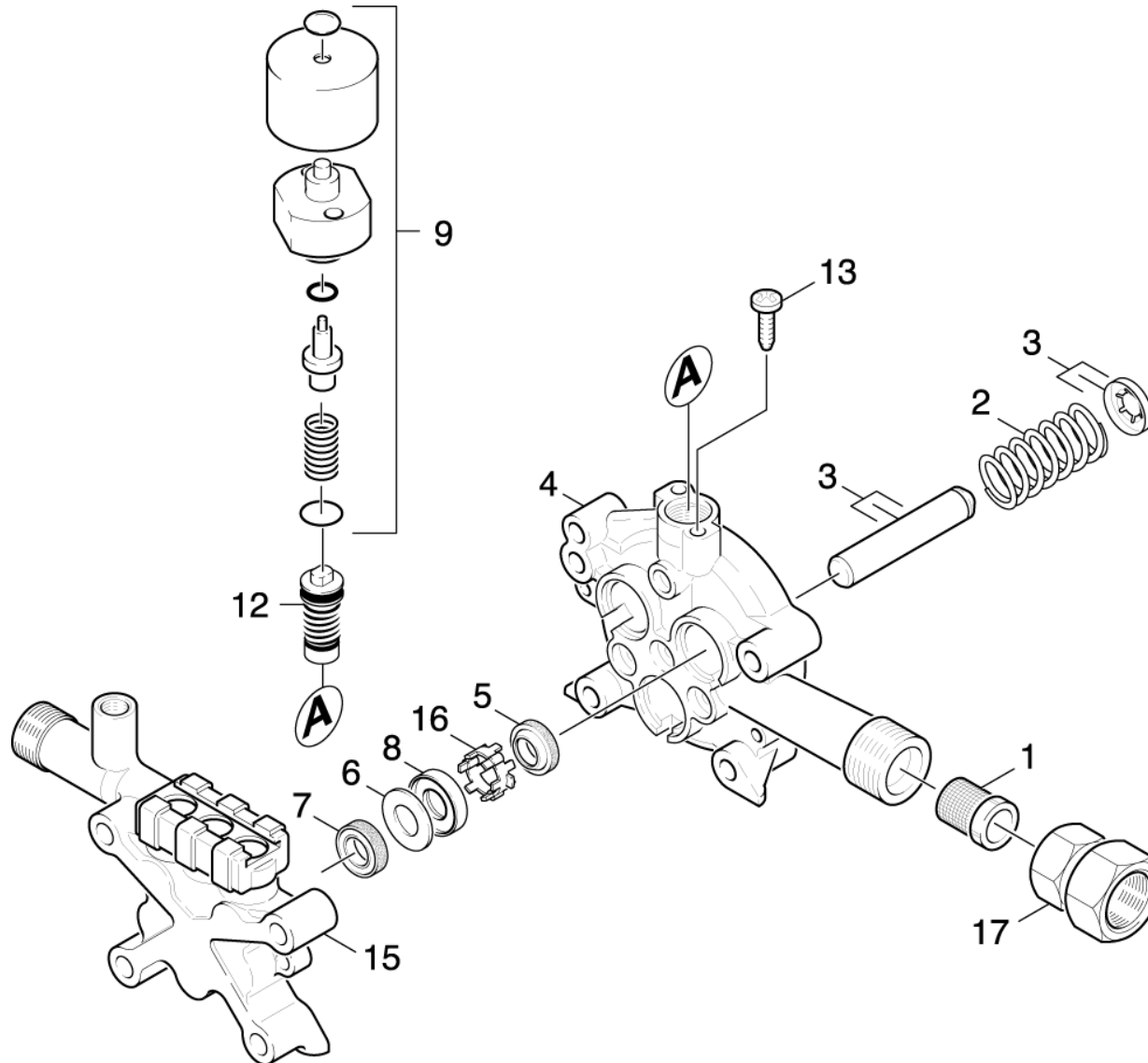
2.3 VALVES

VERSION 2

POS	DESCRIPTION ADDITIONAL INFORMATIONS	PART NO	QTY.	FROM SER.NR.	UP TO SER. NR.
1	O-Ring seal 11,0 x 2,0	63632730	3		
2	Hose DN 5	63882160	3		
	TO ORDER AS CUT GOODS				
3	Valve (3 Stueck)	28848720	1		
4	Drain plug only for replacement	41320070	3		
5	Filter chemistry regulation	48620320	1		
6	Nozzle insert	47690320	1		
7	O-Ring seal 9,0 x 1,5	63623840	2		
8	Plate	50030620	1		
11	Throttle complete	40301090	1		
12	Joining piece only for replacement	40300450	1		
13	Suction valve complete	45803300	3		
15	Hexagonal head screw M8x70-8.8-A2E ISO	73040970	4		
17	Spare part set chemistry	28838620	1		
100	SPARE PARTS KIT fuer Pumpensatz	28842140	1		

2.4 PISTON

VERSION 2



2.4 PISTON

VERSION 2

POS	DESCRIPTION ADDITIONAL INFORMATIONS	PART NO	QTY.	FROM SER.NR.	UP TO SER. NR.
1	Strainer	64142520	1		
2	Pressure spring	53323910	3		
3	Piston complete	45531730	3		
4	Piston guidance	50610820	1		
5	Oil sealing 12x20x4/6	63653930	3		
6	Washer	51157210	3		
7	Grooved ring	63653940	3		
8	Washer	51157200	3		
9	Therموالve only for replacement 60 GRD	45803600	1		
12	Excess-current complete	45910400	1		
13	Screw M6x30 -St-R3R (In6Rd)	73030660	2		
15	Cylinder head	55502940	1		
16	Sleeve	51107070	3		
17	Coupling element 3/4"	91540090	1		
100	Stockpiling discontinued	77779990	1		

3.0 Motor

3.1 Motor

3.2 Transmission

[VERSION 1](#)

3.3 ACTUATION

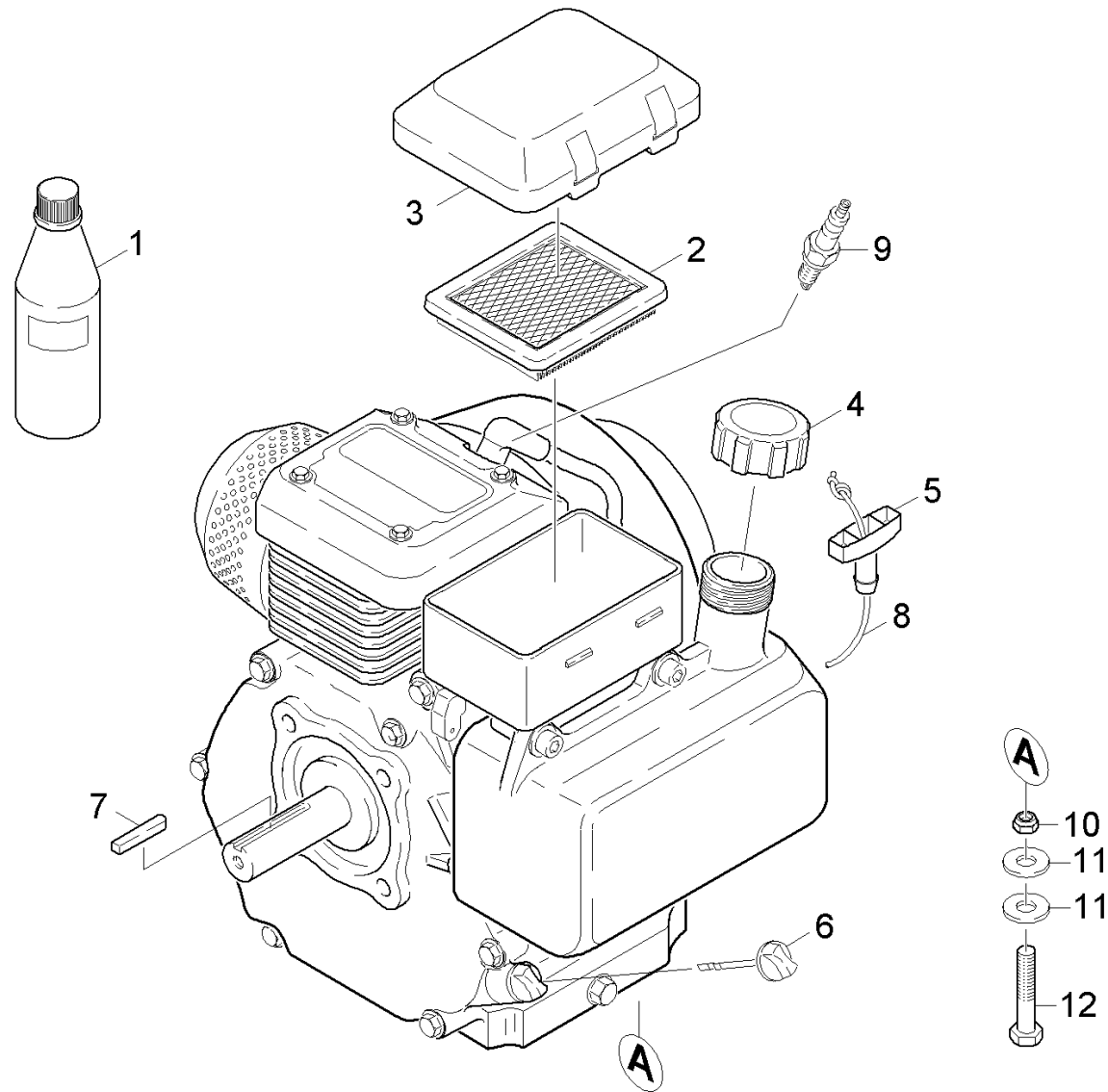
[VERSION 2](#)

3.4 Transmission

[VERSION 3](#)



3.1 Motor

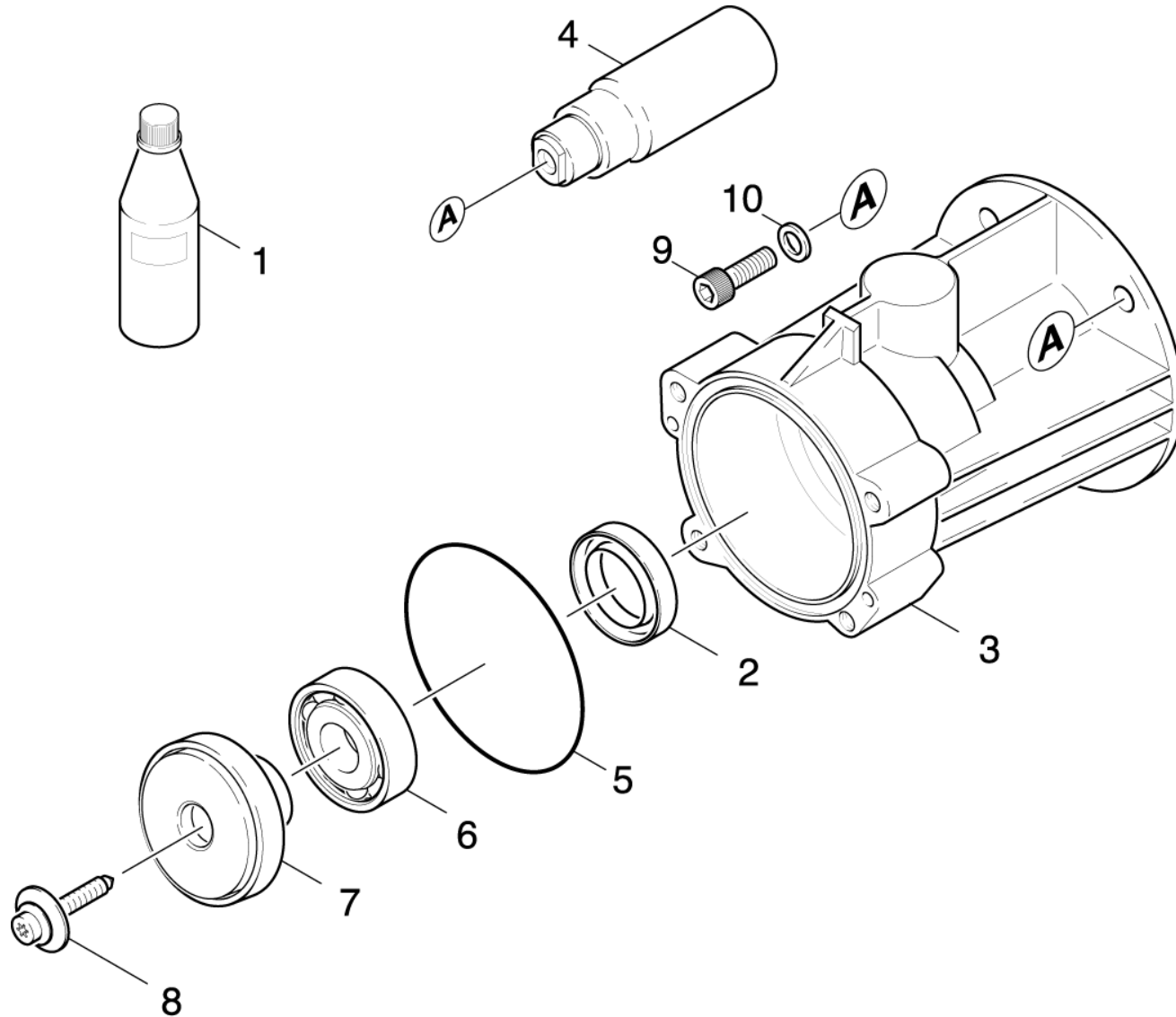


3.1 Motor

POS	DESCRIPTION ADDITIONAL INFORMATIONS	PART NO	QTY.	FROM SER.NR.	UP TO SER. NR.
1	Engine oil 1L	62880500	1		
2	Air filter insert	64917260	1		
3	Cover	91945430	1		
4	Cap of a tank	64917230	1		
5	Handhold	64915030	1		
6	OIL DIP ROD	91945310	1		
7	SHAFT KEY 3/16" SQ X 1.5"	91945460	1		
8	Pull cord	64915460	1		
9	Ignition plug BPR6ES	64915500	1		
10	5/16-18 NE NYLON INSERT L/N ZC 5UM	91970020	4		
11	5/16 SAE F/W ZINC .062 THK	91980020	8		
12	**BOLT, 5/16" X 1-1/2", NC HH(612975)"	98027130	4		

3.3 ACTUATION

VERSION 2

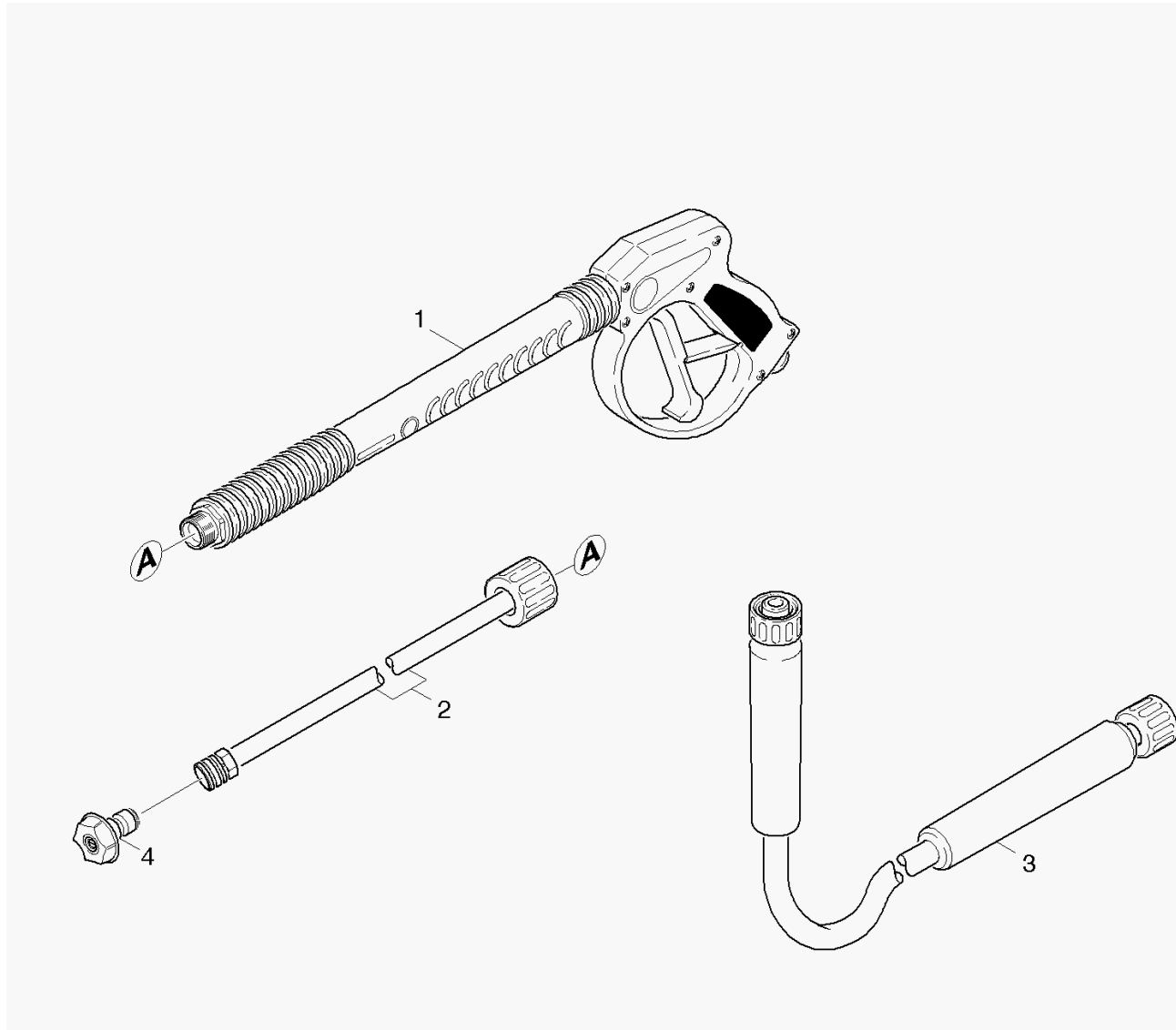


3.3 ACTUATION

VERSION 2

POS	DESCRIPTION ADDITIONAL INFORMATIONS	PART NO	QTY.	FROM SER.NR.	UP TO SER. NR.
1	Engine oil 1L	62880500	1		
2	Radial shaft seal ring A26x37x7 -NBR DI	73670180	1		
3	Housing horizontal	50931060	1		
4	Coupling element horizontal	54710880	1		
5	O-Ring seal 80,0 X 3,0 -NBR 70	63624710	1		
6	Ball bearing	90870100	1		
7	Swash plate	64012890	1		
8	Cylinder head screw M6x19	63040480	1		
9	5/16-24X1 GR 5 SHCS THRU HARDENED ZC	69650070	4		
10	Washer	51156560	4		

4.0 Accessories



4.0 Accessories

POS	DESCRIPTION ADDITIONAL INFORMATIONS	PART NO	QTY.	FROM SER.NR.	UP TO SER. NR.
1	TRIGGER GUN SK2 M22x1.5 MALE/MALE	91120090	1		
2	SPRAY LANCE-Replaced with 9112-520.0	91125150	1		
3	HP HOSE DN8/50'/4000/NOLOGO/BLK/RBR	91623230	1		
4	MC Q/C NOZZLE KIT (0325)	91040180	1		