



Spare parts list

(15751050) HD 2.5/24 P

2009 02

59704760

www.kaercher.com

EN

CONTENT LIST

1.0 Frame

2.0 Pump set

2.1 Valves

VERSION 1

2.2 Piston

VERSION 1

2.3 Valves

VERSION 2

2.4 Piston

VERSION 2

2.5 Cylinder head

VERSION 3

2.6 Piston

VERSION 3

3.0 Motor

3.1 Motor

3.2 Transmission

VERSION 1

3.3 Transmission

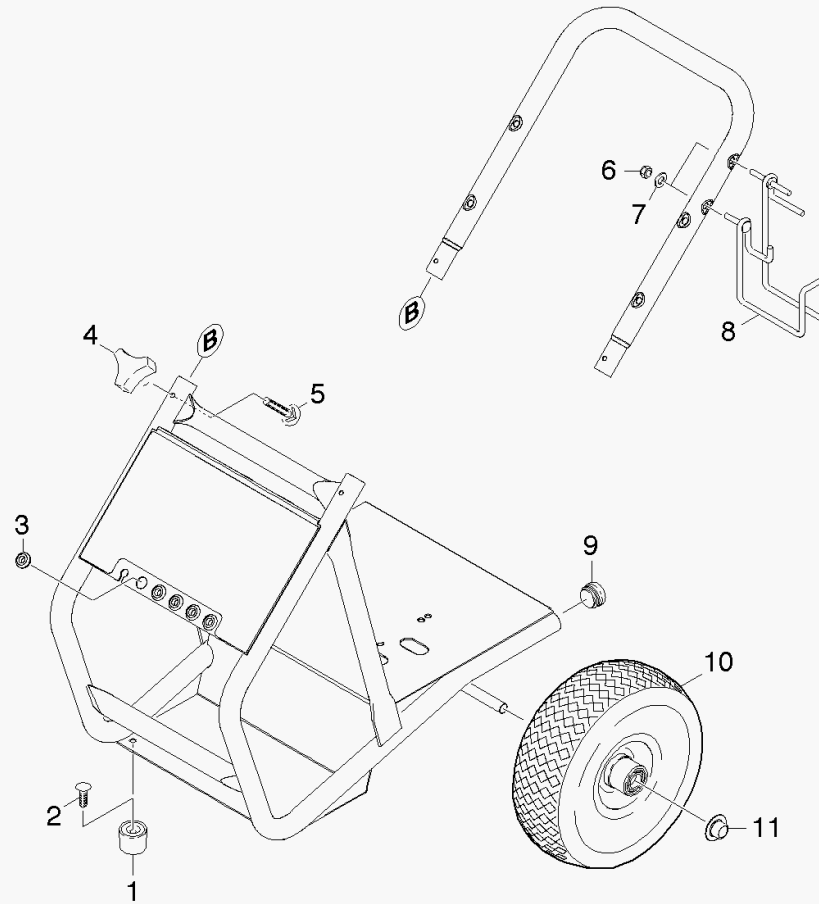
VERSION 2

3.4 Transmission

VERSION 3

4.0 Accessories

1.0 Frame



1.0 Frame

POS	DESCRIPTION	PART NO	QTY.	FROM SER.NR.	UP TO SER. NR.
	ADDITIONAL INFORMATIONS				
1	Rubber buffer	91834010	2		
2	5/16-18 X 1/2 CARRIAGE BOLT A307 BLK	91963080	2		
3	Sleeve rubber	91772040	5		
4	KNOB 1/4"-20,3PT. STAR	91823530	2		
5	Saucer-head screw M 6x40-St-A0P DIN 603	73032000	2		
6	5/16"-18 FINISHED HEX NUT ZINC	53101050	2		
7	5/16 INTERNAL L/W .332 ID X .620 OD ZINC	91980030	2		
8	HANGER WELD ASSY 45DEG LEFT (SOLO)	91420100	1		
9	BLACK,PLUG PLASTIC	91830010	2		
10	WHEEL 10" X 3.50" PNEU	91890070	2		
11	Cap	91820040	2		

2.0 Pump set

2.1 Valves

VERSION 1

2.2 Piston

VERSION 1

2.3 Valves

VERSION 2

2.4 Piston

VERSION 2

2.5 Cylinder head

VERSION 3

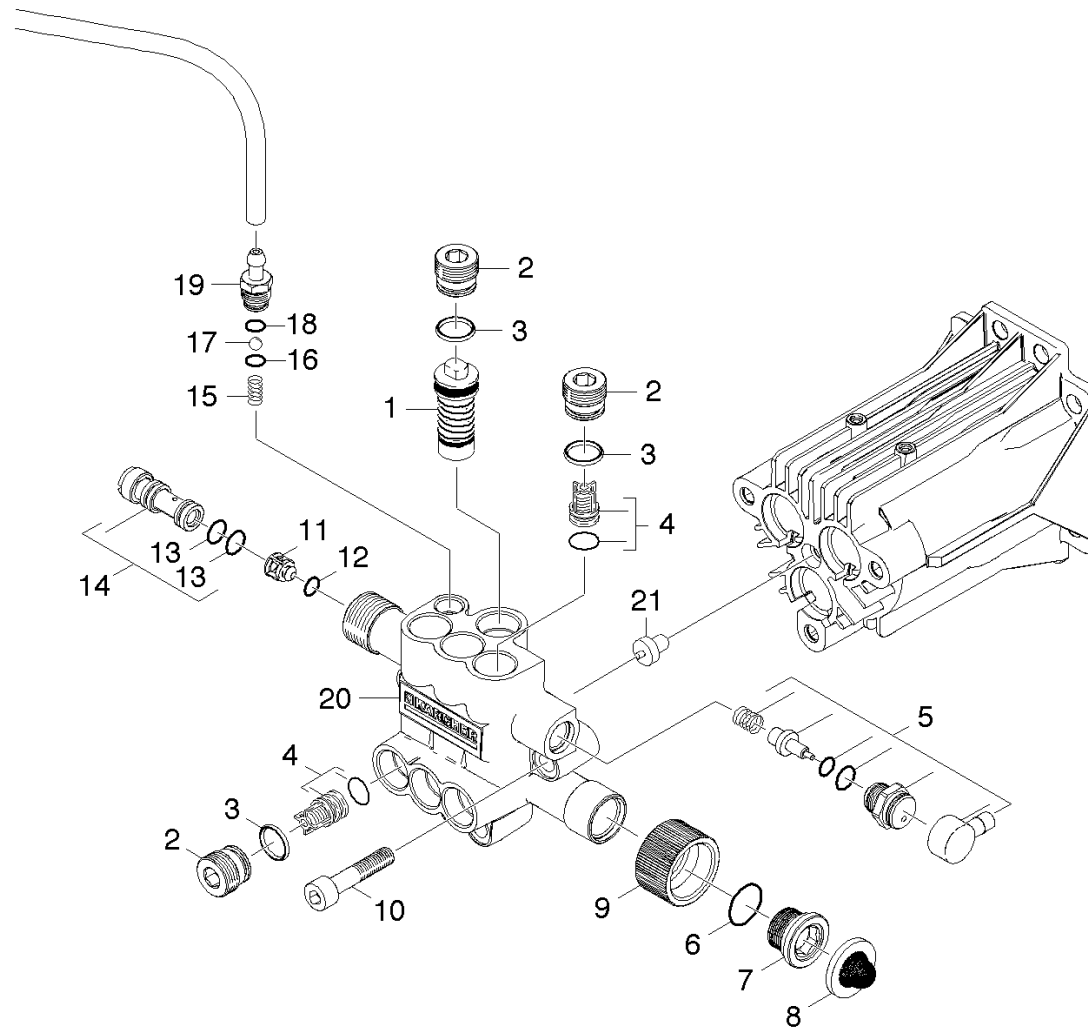
2.6 Piston

VERSION 3



2.3 Valves

VERSION 2



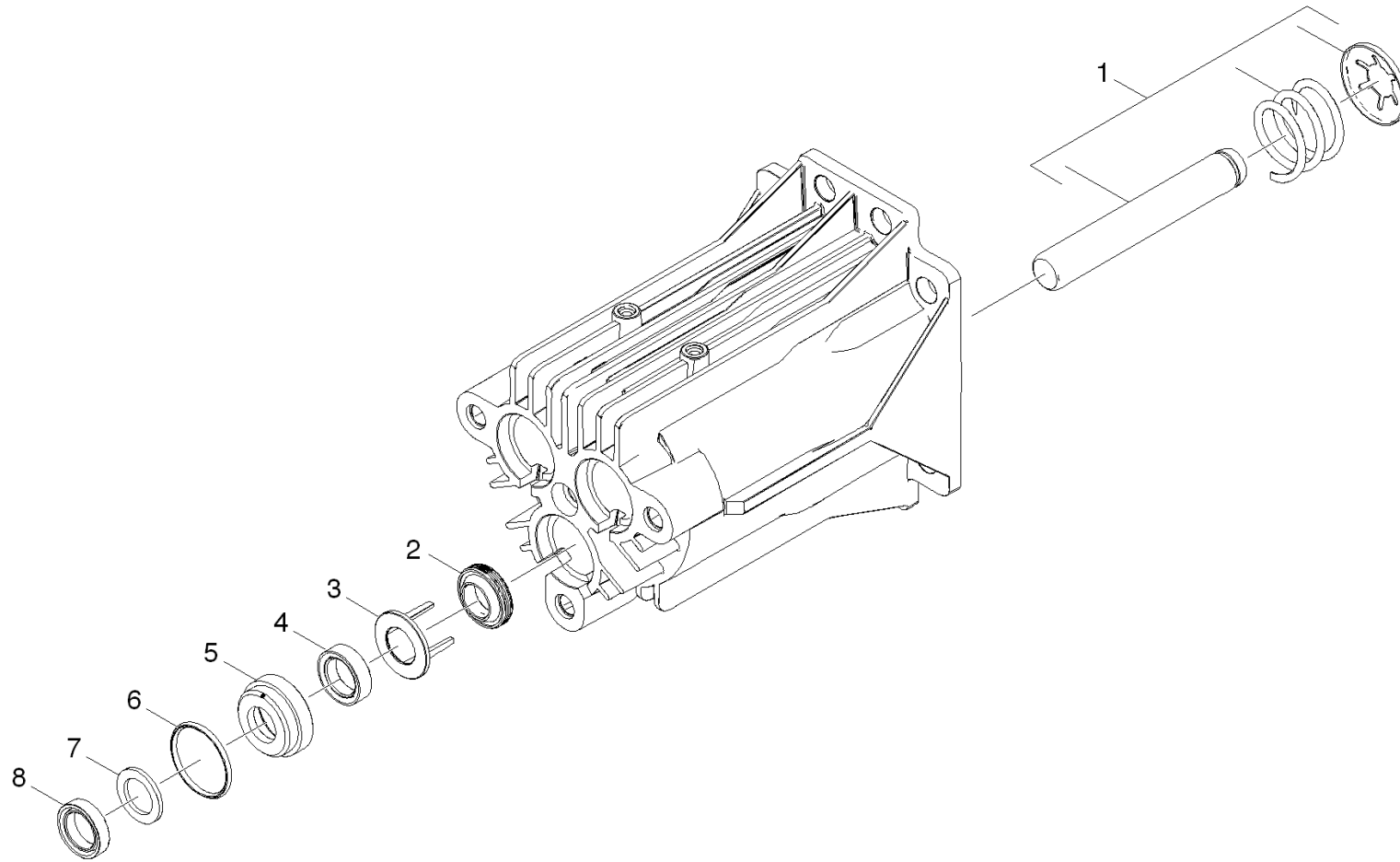
2.3 Valves

VERSION 2

POS	DESCRIPTION ADDITIONAL INFORMATIONS	PART NO	QTY.	FROM SER.NR.	UP TO SER. NR.
1	Unloader Assembly	91750070	1		
2	M18 PIPE PLUG	91540360	7		
3	O-Ring seal 12,42x 1,78	63624800	9		
4	Valve (3 Stück) 3 QTY.	28849160	2		
5	SPARE PARTS LIST-SET2	91391940	1		
6	O-Ring seal 15,6 x 1,78-NBR 70	63626340	1		
7	MALE ADAPTER	91340190	1		
8	FILTER SEAL-HOSE CONNECTOR-	91810050	1		
9	FEMALE HOSE CONNECTOR	91550130	1		
10	Cylinder head screw M 8x 40-8.8-A2E ISO	73060750	3		
11	Valve pin check valve	55840910	1		
12	O-Ring seal 4 x 2 NBR 90	63628510	1		
13	O-Ring seal 9,0 x 1,5	63623840	1		
14	Nozzle insert only for replacement	47690340	1		
15	Helical spring	53322580	1		
16	O-Ring seal 5,28x 1,78	63621750	1		
17	Sphere 7 G40 -1.4401 DIN 5401	74019090	1		
18	O-Ring seal 8,0 x 1,0	63624510	1		
19	Nipple chemistry	54434480	1		
20	CYLINDER HEAD-MACHINED	91350040	1		
21	MOLDED RUBBER END CAP	91773050	1		

2.4 Piston

VERSION 2



2.4 Piston

VERSION 2

POS	DESCRIPTION ADDITIONAL INFORMATIONS	PART NO	QTY.	FROM SER.NR.	UP TO SER. NR.
1	KIT,SPARE PARTS LIST-SET1, PISTON/SPRING	91391930	3		
2	Oil sealing 12x20x4/6	63653930	3		
3	SPACER-OIL SEAL & SEAL HSG.	91340160	3		
4	Grooved ring	63630580	3		
5	HOUSING-LOW PRESSURE SEAL	91550110	3		
6	O-Ring seal 21,5 x 1,78	63628330	3		
7	BACK RING-HIGH PRESSURE SEAL-	91773100	3		
8	HIGH PRESSURE SEAL	91773010	3		

3.0 Motor

3.1 Motor

3.2 Transmission

[VERSION 1](#)

3.3 Transmission

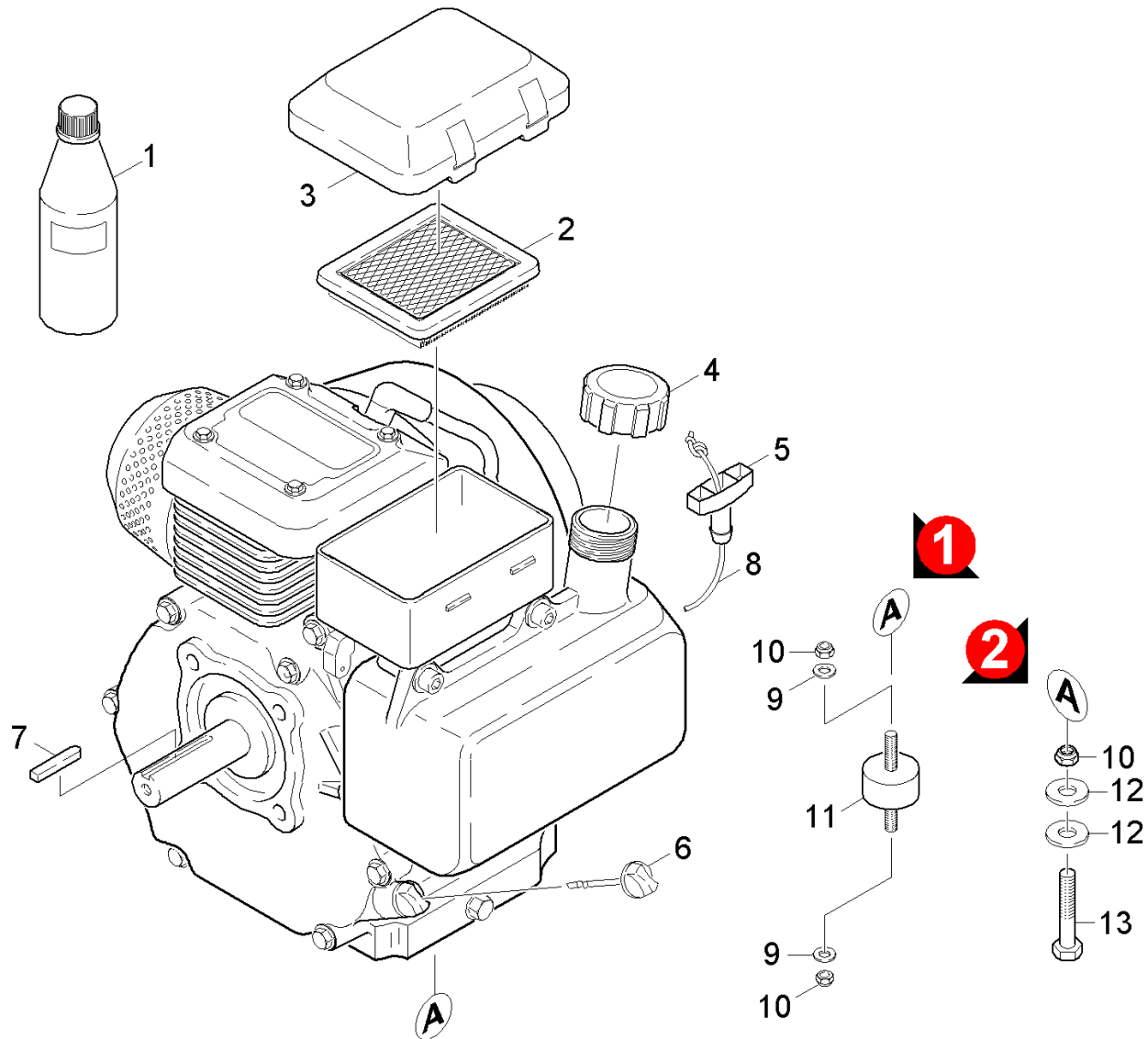
[VERSION 2](#)

3.4 Transmission

[VERSION 3](#)



3.1 Motor

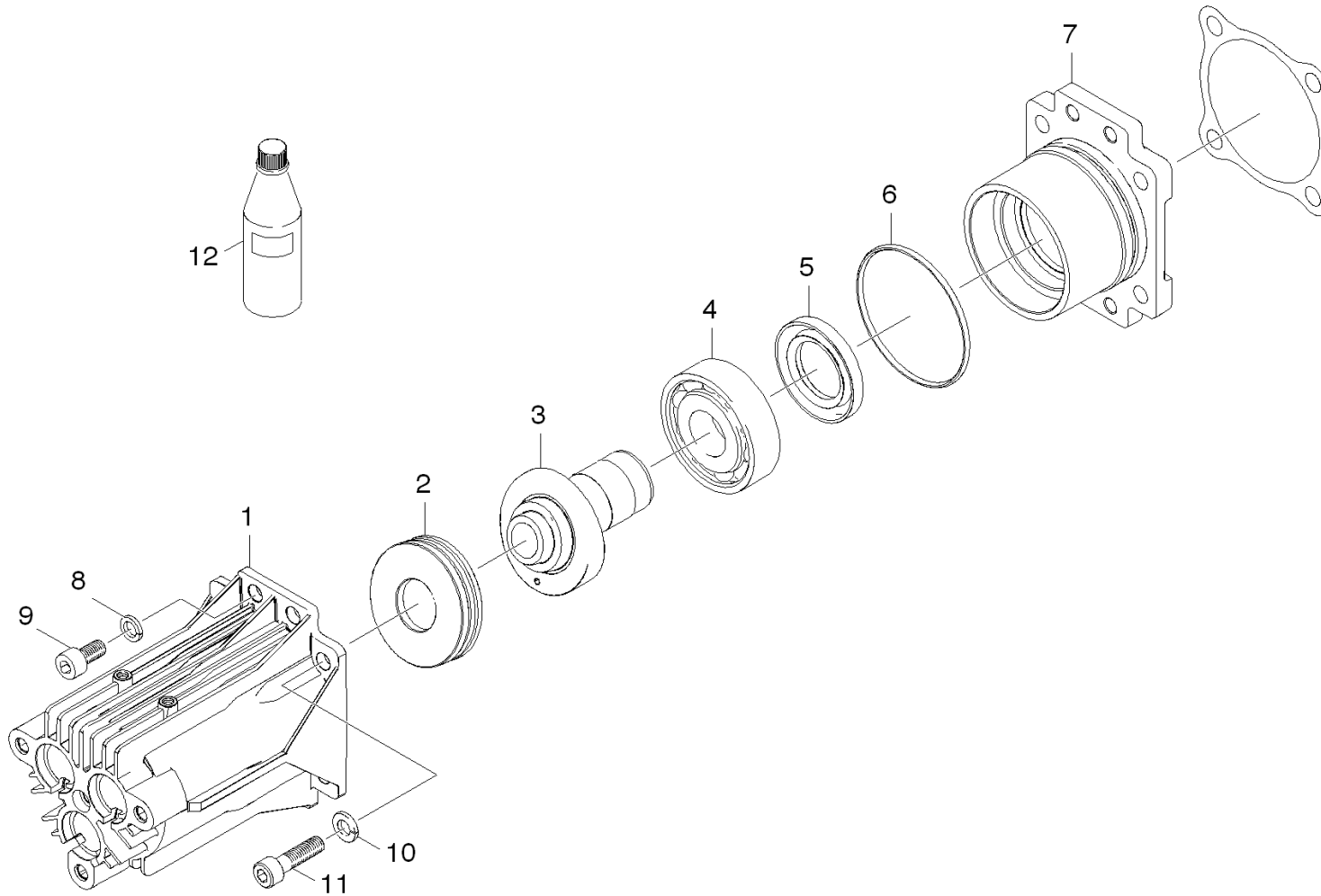


3.1 Motor

POS	DESCRIPTION ADDITIONAL INFORMATIONS	PART NO	QTY.	FROM SER.NR.	UP TO SER. NR.
1	Engine oil 1L MOTOR 1,1L	62880500	1		
2	Air filter insert	64917260	1		
3	Cover	91945430	1		
4	Cap of a tank	64917230	1		
5	Handhold	64915030	1		
6	OIL DIP ROD	91945310	1		
7	SHAFT KEY 3/16" SQ X 1.5"	91945460	1		
8	Pull cord	64915460	1		
9	Washer 8 -200HV-A3E ISO 7090	73120040	8		
10	5/16-18 NE NYLON INSERT L/N ZC 5UM	91970020	8		
11	RUBBER DAMPENER DIA.35x16	91834030	4		
12	5/16-18 NE NYLON INSERT L/N ZC 5UM	91970020	4		
13	5/16 SAE F/W ZINC .062 THK	91980020	8		
14	"*BOLT, 5/16" X 1-1/2", NC HH(612975)"	98027130	4		

3.3 Transmission

VERSION 2

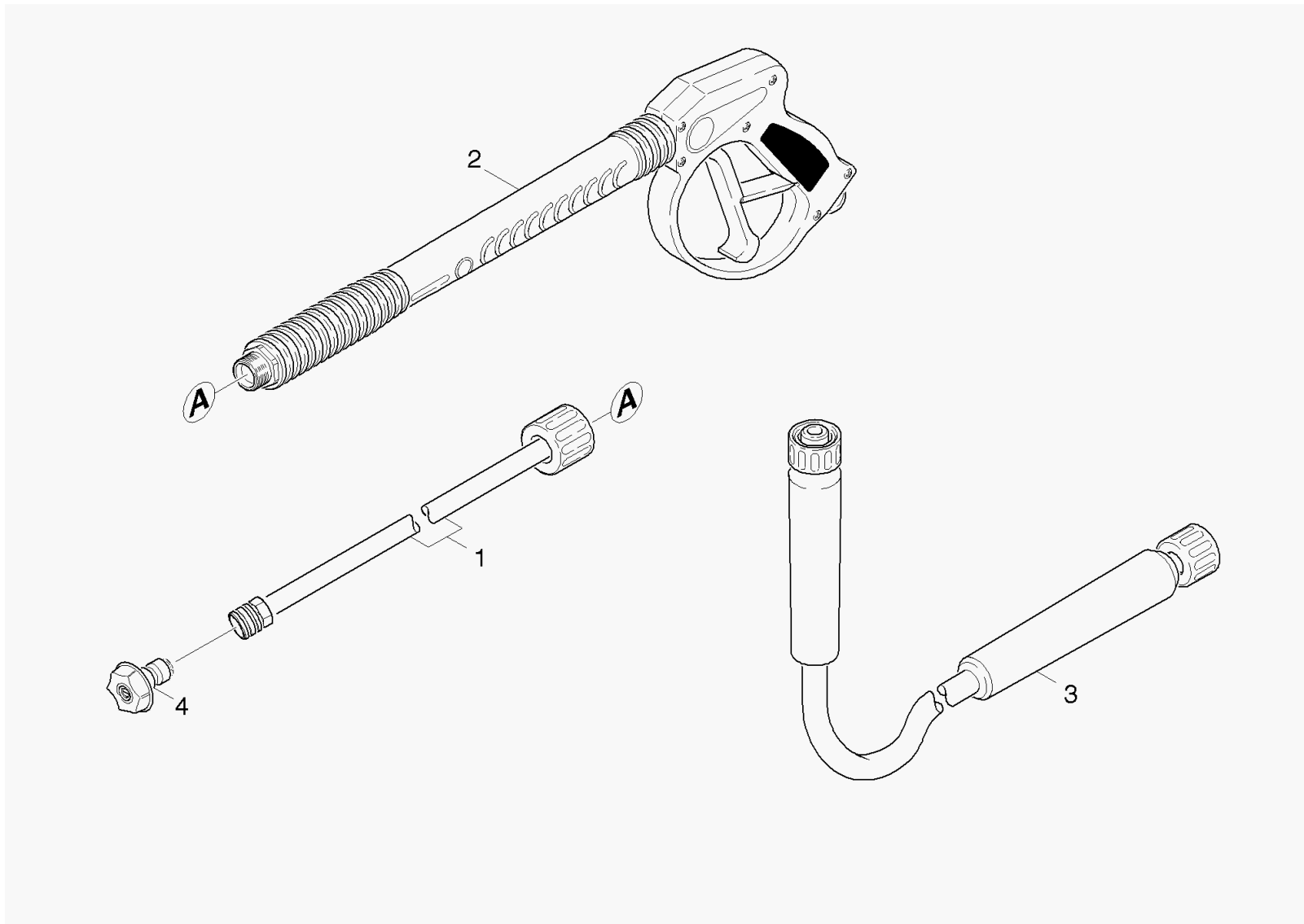


3.3 Transmission

VERSION 2

POS	DESCRIPTION ADDITIONAL INFORMATIONS	PART NO	QTY.	FROM SER.NR.	UP TO SER. NR.
1	SHORT OIL HOUSING AND PISTON GUIDE	91350060	1		
2	GROOVED BALL BEARING	91653550	1		
3	MOLDED SLEEVE-WOBBLE SHAFT-MACHINED-	91540370	1		
4	Angular contact ball bearing	64012600	1		
5	RADIAL SEAL, 30 x 52 x 7	91773090	1		
6	O-Ring seal 63,17x 2,62	63625370	1		
7	FLANGE SPACER-MACHINED-	91350050	1		
8	Spring washer 8-FST-A3E DIN 7980	73130510	4		
9	Cylinder head screw M8x16 -8.8-A2E ISO4	73060400	4		
10	Washer	51156560	4		
11	5/16-24X1 GR 5 SHCS THRU HARDENED ZC	69650070	4		
12	Engine oil 1L	62881120	1		

4.0 Accessories



4.0 Accessories

POS	DESCRIPTION ADDITIONAL INFORMATIONS	PART NO	QTY.	FROM SER.NR.	UP TO SER. NR.
1	SPRAY LANCE-Replaced with 9112-520.0	91125150	1		
2	TRIGGER GUN SK2 M22x1.5 MALE/MALE	91120090	1		
3	HP HOSE DN8/50'/4000/NOLOGO/BLK/RBR	91623230	1		
4	MC Q/C NOZZLE KIT (0325)	91040180	1		