



# Spare parts list

(15751050) HD 2.5/24 P

2009 02

59704760

[www.kaercher.com](http://www.kaercher.com)

**EN**

# CONTENT LIST

## 1.0 Frame

## 2.0 Pump set

### 2.1 Valves

VERSION 1

### 2.2 Piston

VERSION 1

### 2.3 Valves

VERSION 2

### 2.4 Piston

VERSION 2

### 2.5 Cylinder head

VERSION 3

### 2.6 Piston

VERSION 3

## 3.0 Motor

### 3.1 Motor

### 3.2 Transmission

VERSION 1

### 3.3 Transmission

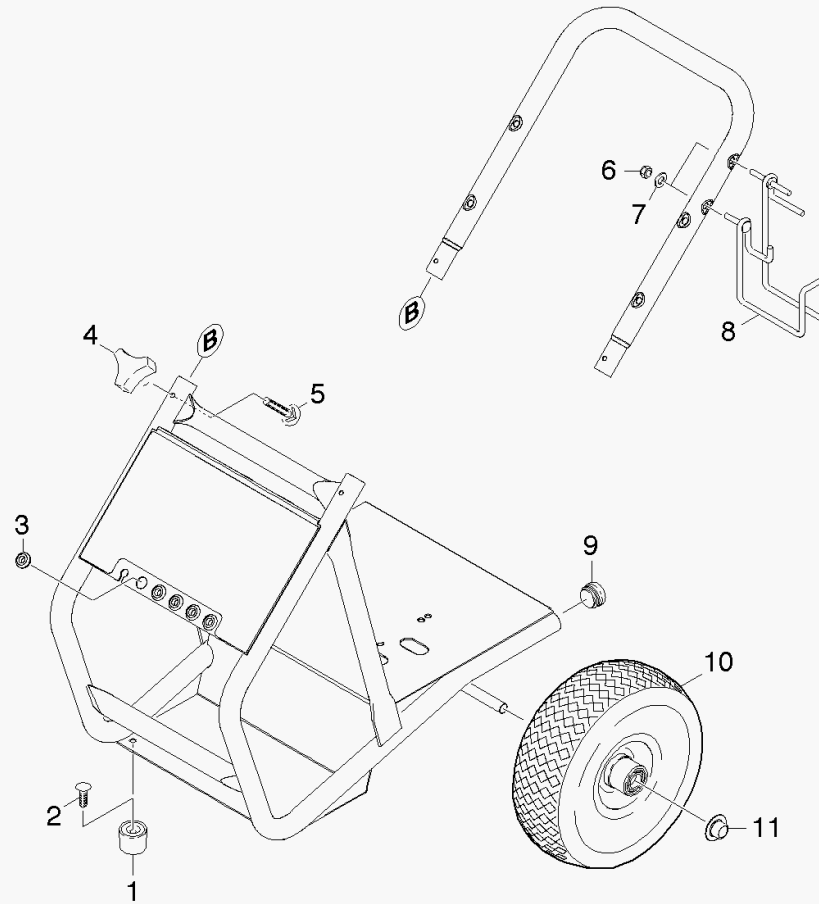
VERSION 2

### 3.4 Transmission

VERSION 3

## 4.0 Accessories

# 1.0 Frame



## 1.0 Frame

POS	DESCRIPTION	PART NO	QTY.	FROM SER.NR.	UP TO SER. NR.
	<a href="#">ADDITIONAL INFORMATIONS</a>				
1	Rubber buffer	91834010	2		
2	5/16-18 X 1/2 CARRIAGE BOLT A307 BLK	91963080	2		
3	Sleeve rubber	91772040	5		
4	KNOB 1/4"-20,3PT. STAR	91823530	2		
5	Saucer-head screw M 6x40-St-A0P DIN 603	73032000	2		
6	5/16"-18 FINISHED HEX NUT ZINC	53101050	2		
7	5/16 INTERNAL L/W .332 ID X .620 OD ZINC	91980030	2		
8	HANGER WELD ASSY 45DEG LEFT (SOLO)	91420100	1		
9	BLACK,PLUG PLASTIC	91830010	2		
10	WHEEL 10" X 3.50" PNEU	91890070	2		
11	Cap	91820040	2		

## 2.0 Pump set

### 2.1 Valves

VERSION 1

### 2.2 Piston

VERSION 1

### 2.3 Valves

VERSION 2

### 2.4 Piston

VERSION 2

### 2.5 Cylinder head

VERSION 3

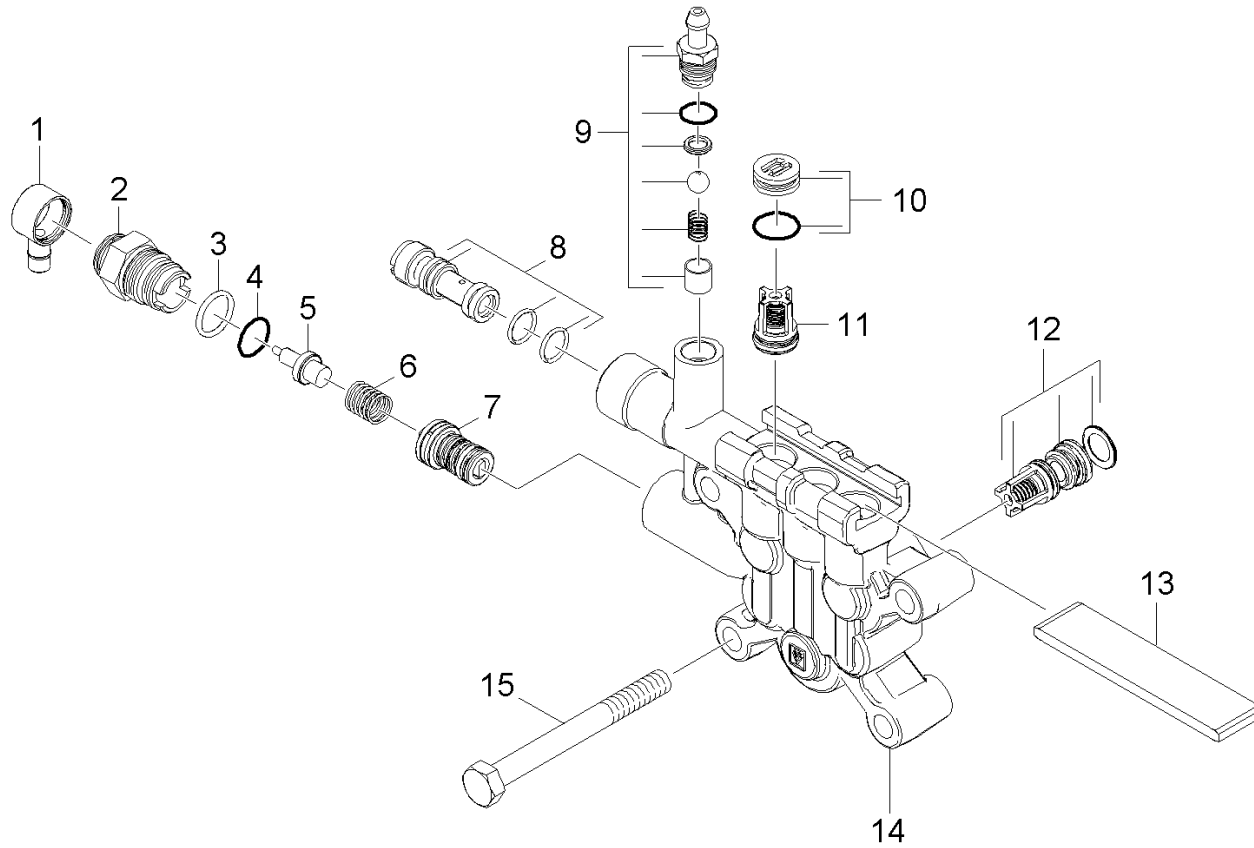
### 2.6 Piston

VERSION 3



## 2.5 Cylinder head

### VERSION 3



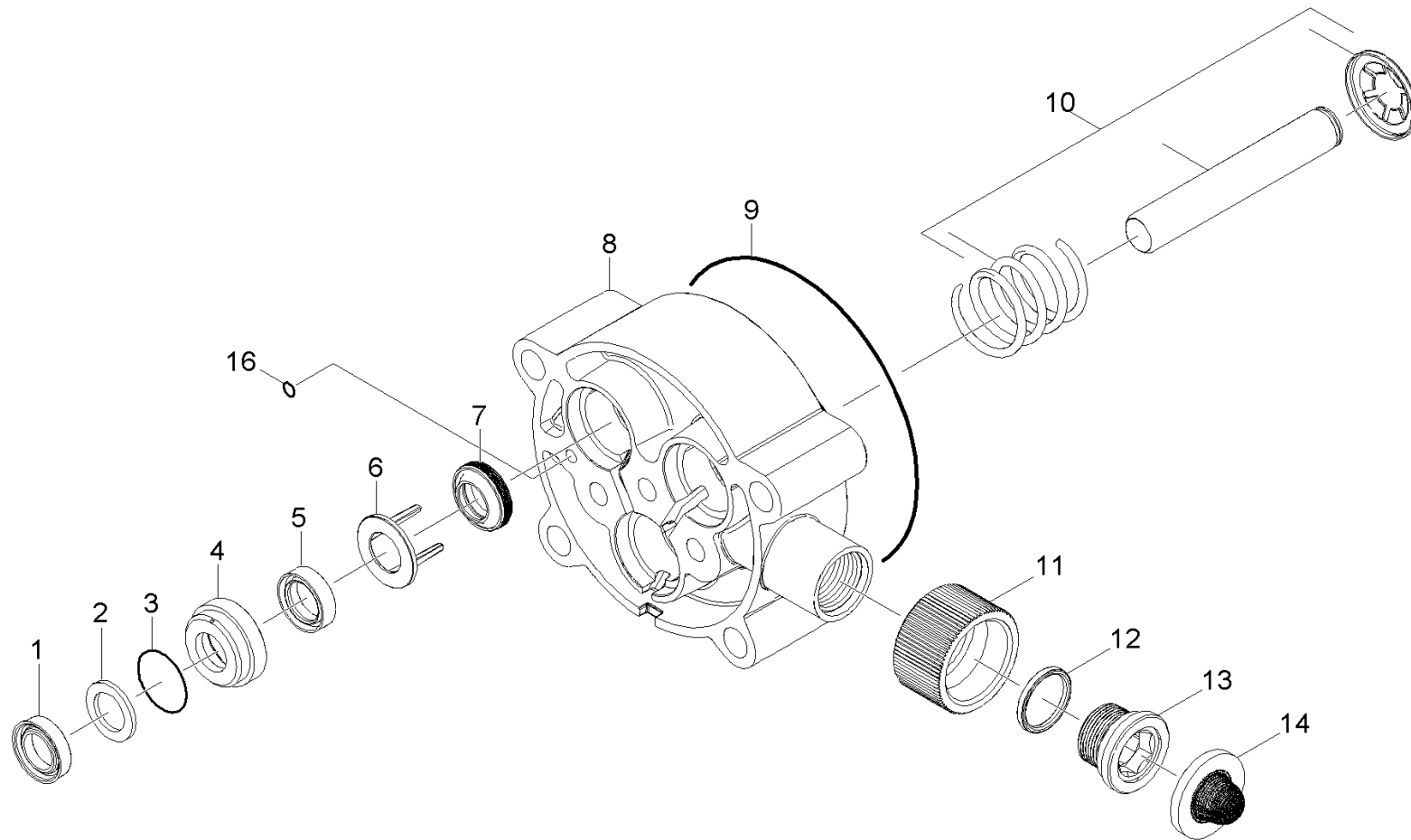
## 2.5 Cylinder head

### VERSION 3

POS	DESCRIPTION ADDITIONAL INFORMATIONS	PART NO	QTY.	FROM SER.NR.	UP TO SER. NR.
1	THERMAL VALVE COVER-SHORT	91340210	1		
2	Valve screw	91840180	1		
3	O-Ring seal 12,42x 1,78	63624800	1		
4	O-Ring seal 8x2-NBR 90 DIN 3770	73625070	1		
5	TERMO VALVE TIN COATED	64134030	1		
6	Helical spring	53322900	1		
7	Unloader Assembly	91750050	1		
8	SPARE PART LIST NOZZLE INS 020/021 PUMP	91393720	1		
9	Spare part set chemistry	28838620	1		
10	Drain plug only for replacement	41320070	3		
11	Valve (3 Stück) SET CONSITSTS OF 3X VALVE	28849160	1		
12	SPARE PART LIST VALVE COM 020/021 PUMP SET CONSITSTS OF 3X VALVE	91393710	1		
13	Plate	50030620	1		
14	Cylinder Head-Machined	91350150	1		
15	Hexagonal head screw M8x80-8.8-A2E ISO	73040980	4		

## 2.6 Piston

### VERSION 3



## 2.6 Piston

### VERSION 3

POS	DESCRIPTION ADDITIONAL INFORMATIONS	PART NO	QTY.	FROM SER.NR.	UP TO SER. NR.
1	HIGH PRESSURE SEAL	91773010	3		
2	BACK RING-HIGH PRESSURE SEAL-	91773100	3		
3	O-Ring seal 21,5 x 1,78	63628330	3		
4	HOUSING-LOW PRESSURE SEAL	91550110	3		
5	Grooved ring	63630580	3		
6	SPACER-OIL SEAL & SEAL HSG.	91340160	3		
7	Oil sealing 12x20x4/6	63653930	3		
8	Piston Guide-Machined	91330070	1		
9	O-Ring seal 80,0 X 3,0 -NBR 70	63624710	1		
10	SPARE PART LIST PISTON 020/021 PUMP	91393700	3		
11	FEMALE HOSE CONNECTOR	91550130	1		
12	O-Ring seal 15,6 X 1,78	63623900	1		
13	MALE ADAPTER	91340190	1		
14	FILTER SEAL-HOSE CONNECTOR-	91810050	1		
16	GASKET 4.47X1.78	63631900	1		

## 3.0 Motor

3.1 Motor

3.2 Transmission

[VERSION 1](#)

3.3 Transmission

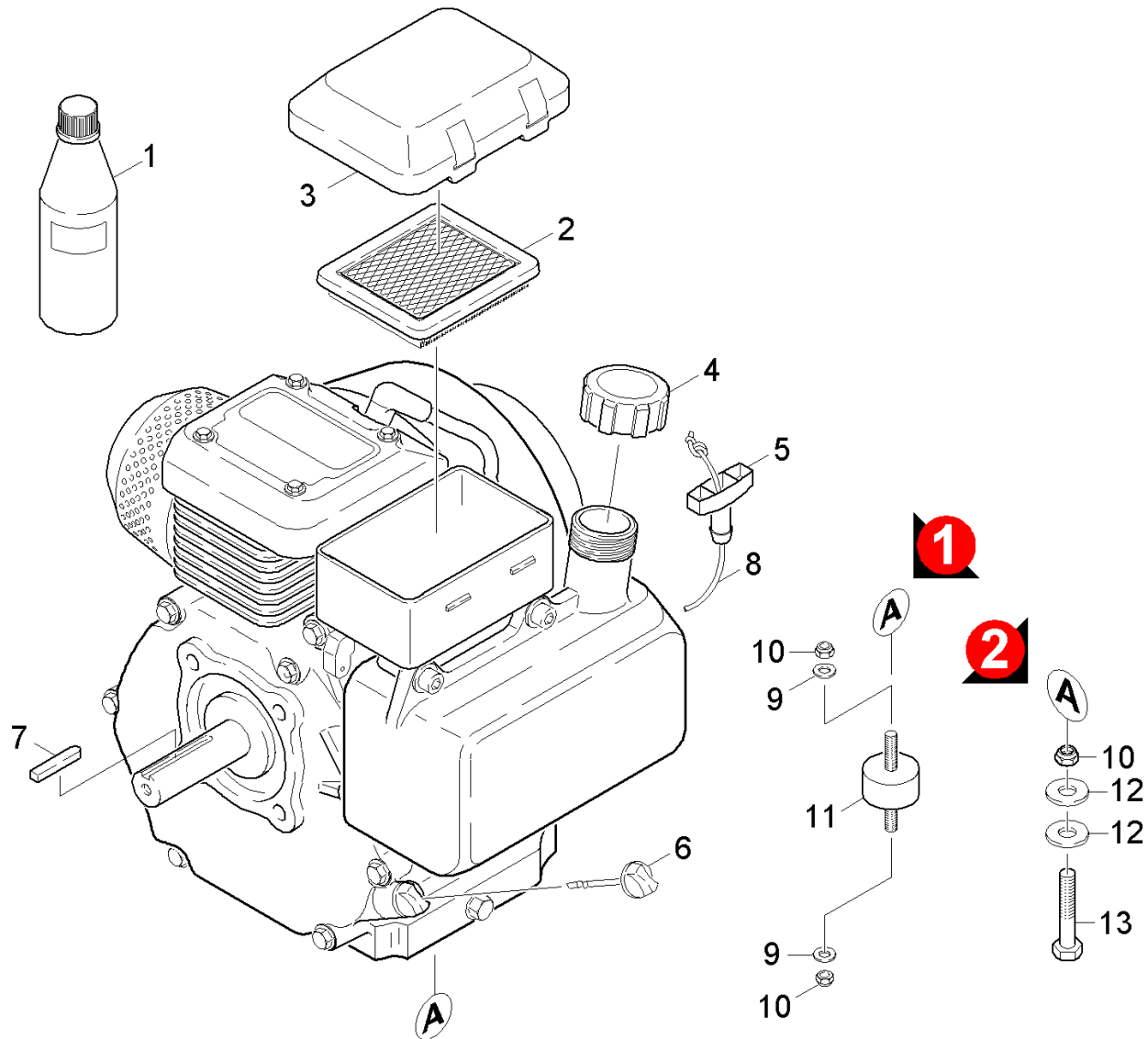
[VERSION 2](#)

3.4 Transmission

[VERSION 3](#)



### 3.1 Motor

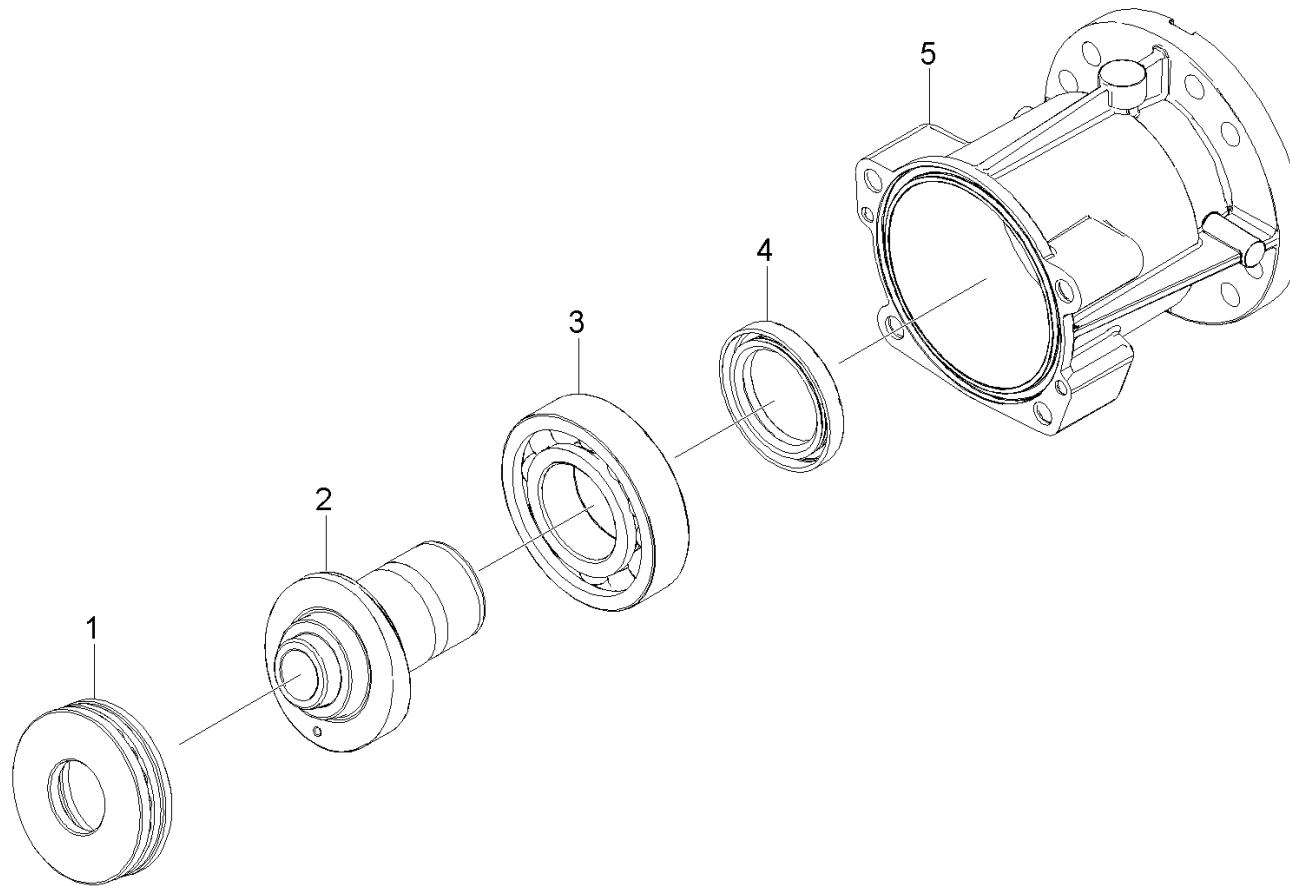


### 3.1 Motor

POS	DESCRIPTION ADDITIONAL INFORMATIONS	PART NO	QTY.	FROM SER.NR.	UP TO SER. NR.
1	Engine oil 1L MOTOR 1,1L	62880500	1		
2	Air filter insert	64917260	1		
3	Cover	91945430	1		
4	Cap of a tank	64917230	1		
5	Handhold	64915030	1		
6	OIL DIP ROD	91945310	1		
7	SHAFT KEY 3/16" SQ X 1.5"	91945460	1		
8	Pull cord	64915460	1		
9	Washer 8 -200HV-A3E ISO 7090	73120040	8		
10	5/16-18 NE NYLON INSERT L/N ZC 5UM	91970020	8		
11	RUBBER DAMPENER DIA.35x16	91834030	4		
12	5/16-18 NE NYLON INSERT L/N ZC 5UM	91970020	4		
13	5/16 SAE F/W ZINC .062 THK	91980020	8		
14	**BOLT, 5/16" X 1-1/2", NC HH(612975)"	98027130	4		

### 3.4 Transmission

#### VERSION 3

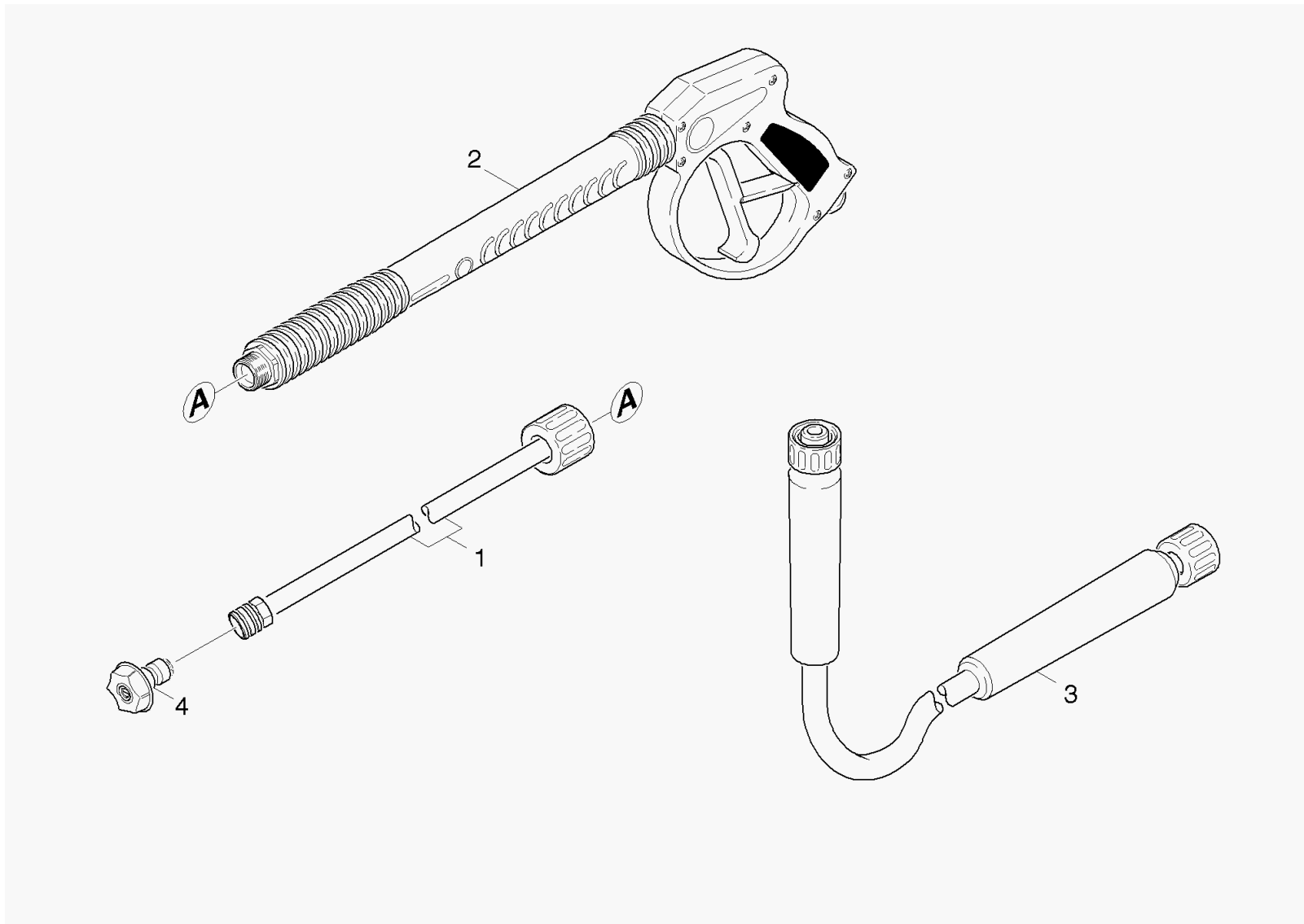


## 3.4 Transmission

### VERSION 3

POS	DESCRIPTION ADDITIONAL INFORMATIONS	PART NO	QTY.	FROM SER.NR.	UP TO SER. NR.
1	GROOVED BALL BEARING	91653550	1		
2	Swash Plate Horizontal-Machined	91350180	1		
3	BALL BEARING NO. 6207	91653560	1		
4	Radial Seal, 35x52x7	91773140	1		
5	Oil Housing Vertical Machined	91350160	1		

## 4.0 Accessories



## 4.0 Accessories

POS	DESCRIPTION <a href="#">ADDITIONAL INFORMATIONS</a>	PART NO	QTY.	FROM SER.NR.	UP TO SER. NR.
1	SPRAY LANCE-Replaced with 9112-520.0	91125150	1		
2	TRIGGER GUN SK2 M22x1.5 MALE/MALE	91120090	1		
3	HP HOSE DN8/50'/4000/NOLOGO/BLK/RBR	91623230	1		
4	MC Q/C NOZZLE KIT (0325)	91040180	1		