

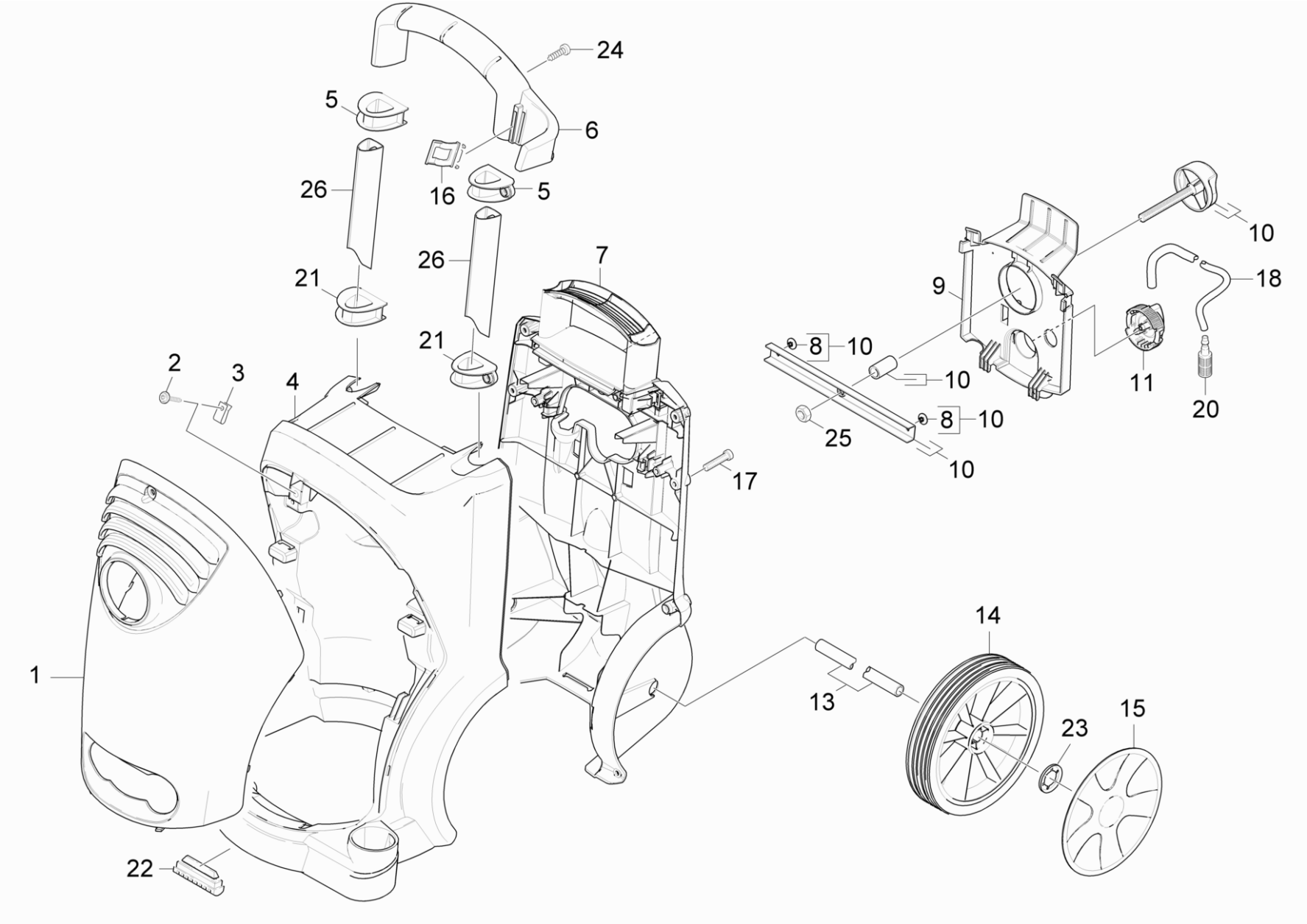
Spare parts list
(5.972-351.0) Spare parts list HD 1.8/13 C Ed

Table of contents

Spare parts list HD 1.8/13 C Ed (5.972-351.0)	6
10 Housing	7
20 Pump set	9
21 Cylinder head	10
4 Valve (3 Stück) (2.884-916.0)	13
11 Drain plug only for replacement (4.132-007.0)	15
21 Nozzle insert only for replacement (4.769-034.0)	17
100 PUMP SET HD 5/12 C (2.883-997.0)	19
22 Thrust guidance	20
30 Motor	22
40 Accessories	24
41 Hand trigger gun	25
42 High pressure hose	27
43 Jet pipe	29
44 Triple jet nozzle	31
50 Electric box	33

Spare parts list HD 1.8/13 C Ed (5.972-351.0)

Pos	Name	Qty.	Unit
10	Housing	1.000	ST
20	Pump set	1.000	ST
30	Motor	1.000	ST
40	Accessories	1.000	ST
50	Electric box	1.000	ST



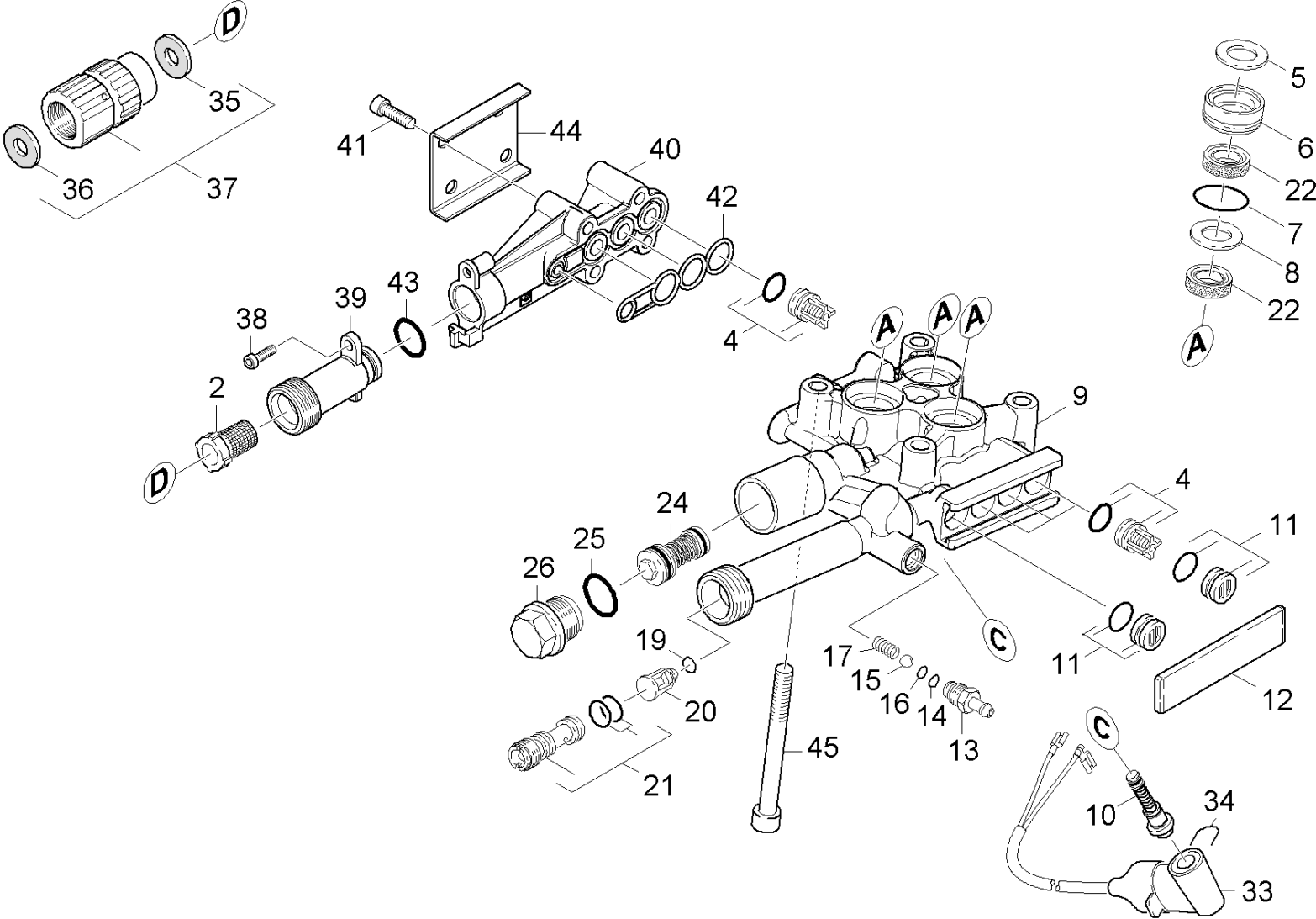
10 Housing

ET/VT (spare/wear parts)	Pos	Material #	Name	Qty.	Unit	from ser.nr.	up to ser.nr.	var. information	Footnote text
X-X	1	5.069-442.0	Device cover basalt grey only for replac	1.000	ST				
X-X	2	6.304-099.0	Saucer-head screw M 6x 18-4.8-R2R	1.000	ST	0000000000	0000000000		
X	3	6.310-053.0	Putting nut	1.000	ST	0000000000	0000000000		
	4	5.050-206.0	Frame front part	1.000	ST	0000000000	0000000000		
	5	5.032-554.0	Guide	2.000	ST	0000000000	0000000000		
X-X	6	5.321-721.0	Hand grip	1.000	ST	0000000000	0000000000		
	7	5.050-207.0	Frame rear panel	1.000	ST	0000000000	0000000000		
	8	6.315-086.0	Rivet	4.000	ST	0000000000	0000000000		
X-X	9	5.032-556.0	Covering cap	1.000	ST	0000000000	0000000000		
	10	2.885-007.0	Spare part set Griff	1.000	ST	0000000000	0000000000		
X-X	11	4.063-778.0	Proportioning valve chemistry	1.000	ST	0000000000	0000000000		
	13	5.105-399.0	Axle	1.000	ST	0000000000	0000000000		
X-X	14	6.435-662.0	Wheel D200	2.000	ST	0000000000	0000000000		
	15	4.515-323.0	Spare parts set wheel cap basalt grey RA	1.000	ST	0000000000	0000000000		SET OF 2 PIECES
X-X	16	5.044-216.0	Holder	1.000	ST	0000000000	0000000000		
X-X	17	7.303-108.0	Screw 5x20 -10.9-R2R (In6Rd)	10.000	ST	0000000000	0000000000		
	18	6.388-216.0	Hose DN 5	1.000	M	0000000000	0000000000		TO ORDER AS CUT GOODS
X	20	5.731-652.0	Filter with weight	1.000	ST	0000000000	0000000000		
	21	5.032-555.0	Guide	2.000	ST	0000000000	0000000000		
X-X	22	5.057-062.0	Support	2.000	ST	0000000000	0000000000		
X-X	23	6.343-168.0	Lock washer	2.000	ST	0000000000	0000000000		
X-X	24	7.303-046.0	Screw M6x12 -St-R3R (In6Rd)	2.000	ST	0000000000	0000000000		
	25	7.311-088.0	Hexagon nut M10-8-A2K EN 1664	1.000	ST			(M10)	
	26	5.107-248.0	Bar shearing shackle	2.000	ST				

20 Pump set

Pos	Name	Qty.	Unit
21	Cylinder head	1.000	ST
22	Thrust guidance	1.000	ST

21 Cylinder head

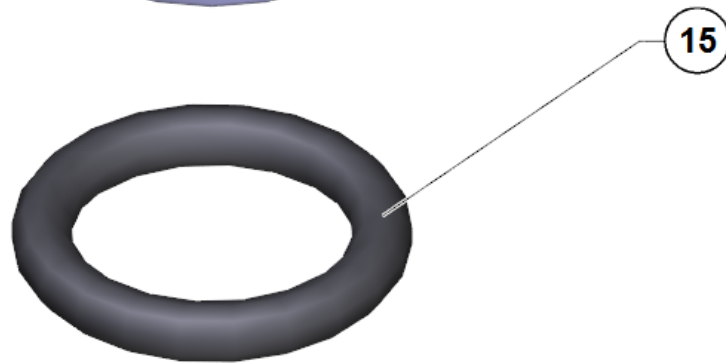
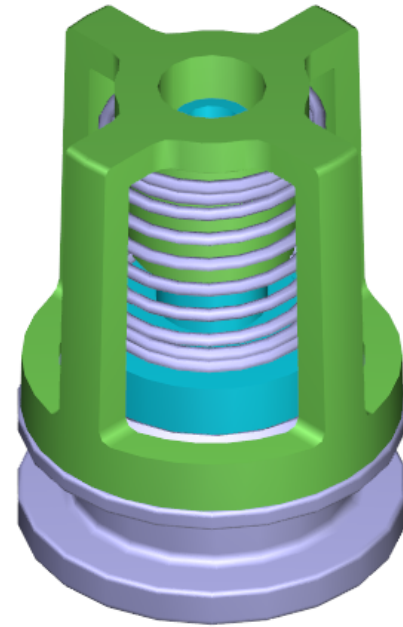


21 Cylinder head

ET/VT (spare/wear parts)	Pos	Material #	Name	Qty.	Unit	from ser.nr.	up to ser.nr.	Footnote text
X-X	2	6.414-252.0	Strainer	1.000	ST	0000000000	0000000000	
X-X	4	2.884-916.0	Valve (3 Stück)	2.000	ST			SET CONSITSTS OF 3X VALVE
X-X	5	5.116-093.0	Washer	3.000	ST	0000000000	0000000000	
X-X	6	5.112-726.0	Bush	3.000	ST	0000000000	0000000000	
X-X	7	6.362-376.0	O-Ring seal 24,0 X 1,5	3.000	ST	0000000000	0000000000	
X-X	8	5.115-721.0	Washer	3.000	ST	0000000000	0000000000	
X-X	9	5.550-302.0	Cylinder head	1.000	ST	0000000000	0000000000	
X-X	10	2.884-501.0	Spare part set control piston	1.000	ST	0000000000	0000000000	
X-X	11	4.132-007.0	Drain plug only for replacement	4.000	ST	0000000000	0000000000	
	12	5.003-062.0	Plate	1.000	ST	0000000000	0000000000	
X-X	13	5.443-624.0	Nipple	1.000	ST	0000000000	0000000000	
X	14	6.362-113.0	O-Ring seal 6,0 x 2,0 NBR 70	1.000	ST	0000000000	0000000000	
	15	7.401-908.0	Sphere 7 G300 -1.4301 DIN 5401	1.000	ST	0000000000	0000000000	
X-X	16	6.362-175.0	O-Ring seal 5,28x 1,78	1.000	ST	0000000000	0000000000	
	17	5.332-258.0	Helical spring	1.000	ST	0000000000	0000000000	
X-X	19	6.363-613.0	O-Ring seal 4 x 2 -NBR90	1.000	ST	0000000000	0000000000	
X-X	20	5.584-091.0	Valve pin check valve	1.000	ST	0000000000	0000000000	
X	21	4.769-034.0	Nozzle insert only for replacement	1.000	ST	0000000000	0000000000	
X-X	22	6.365-477.0	Grooved ring 12x20x5,3/2,8	6.000	ST	0000000000	0000000000	
X-X	24	4.591-038.0	Overflow valve	1.000	ST	0000000000	0000000000	
	25	6.362-989.0	O-Ring seal 18x2 - NBR 80	1.000	ST	0000000000	0000000000	
	26	5.411-172.0	Screw plug	1.000	ST	0000000000	0000000000	
X-X	33	4.744-195.0	Switch complete	1.000	ST	0000000000	0000000000	
X-X	34	5.034-494.0	Retaining bracket	1.000	ST	0000000000	0000000000	
	35	5.364-129.0	Flat gasket	2.000	ST	0000000000	0000000000	

21 Cylinder head

ET/VT (spare/wear parts)	Pos	Material #	Name	Qty.	Unit	from ser.nr.	up to ser.nr.	Footnote text
	36	4.401-074.0	Screw connector part	1.000	ST	0000000000	0000000000	
	37	4.401-074.0	Screw connector part	1.000	ST			
X-X	38	7.303-108.0	Screw 5x20 -10.9-R2R (In6Rd)	1.000	ST			
	39	5.402-727.0	Suction nipple	1.000	ST			
	40	5.064-230.0	Suction cover	1.000	ST			
X-X	41	7.306-129.0	Screw M6x40 -8.8-R3R (In6Rd)	4.000	ST			
X-X	42	5.365-284.0	Profile gasket	1.000	ST			
X-X	43	6.362-481.0	O-Ring seal 14,0 x 2,0 NBR 80	1.000	ST			
	44	5.005-314.0	Plate suction cover	1.000	ST			
X-X	45	7.306-106.0	Cylinder head screw M8x70 -8.8-A2E ISO4	4.000	ST			
X-X	100	2.883-997.0	PUMP SET HD 5/12 C	1.000	ST	0000000000	0000000000	



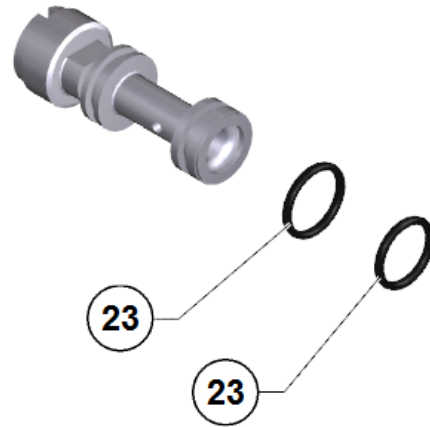
4 Valve (3 Stück) (2.884-916.0)

ET/VT (spare/wear parts)	Pos	Material #	Name	Qty.	Unit
X-X	15	6.362-077.0	O-Ring seal 10 x 2,2 NBR 70	1.000	ST



11 Drain plug only for replacement (4.132-007.0)

Pos	Material #	Name	Qty.	Unit
18	6.362-458.0	O-Ring seal 11,0x2,0-NBR 70	1.000	ST

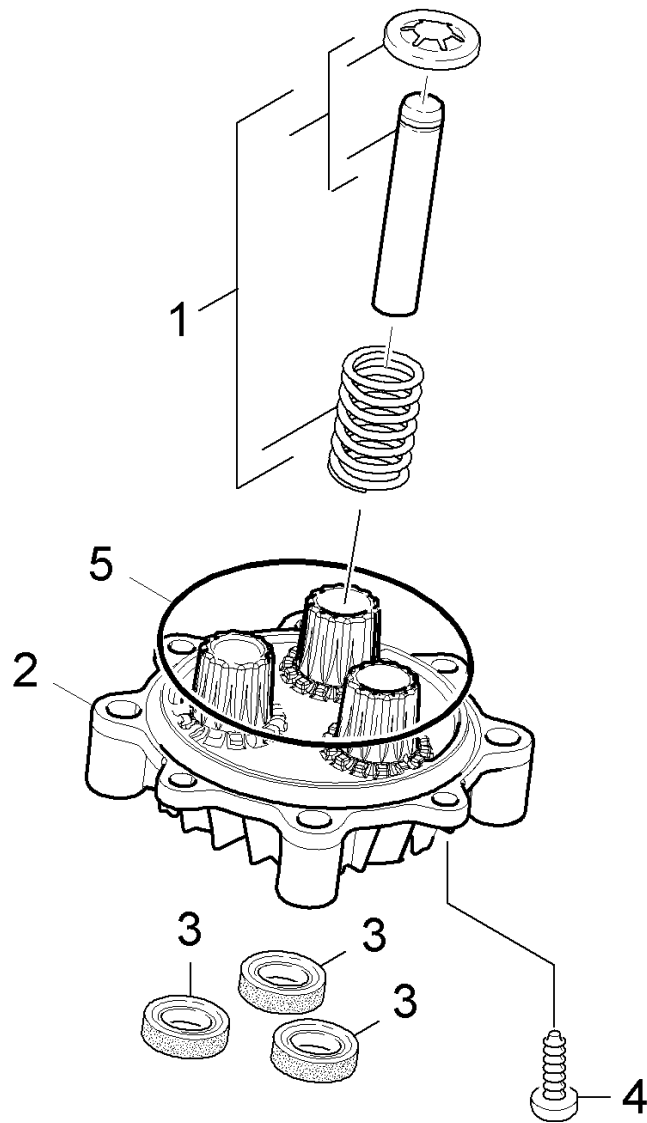


21 Nozzle insert only for replacement (4.769-034.0)

ET/VT (spare/wear parts)	Pos	Material #	Name	Qty.	Unit
X-X	23	6.362-384.0	O-Ring seal 9x1,5 - NBR 70	2.000	ST

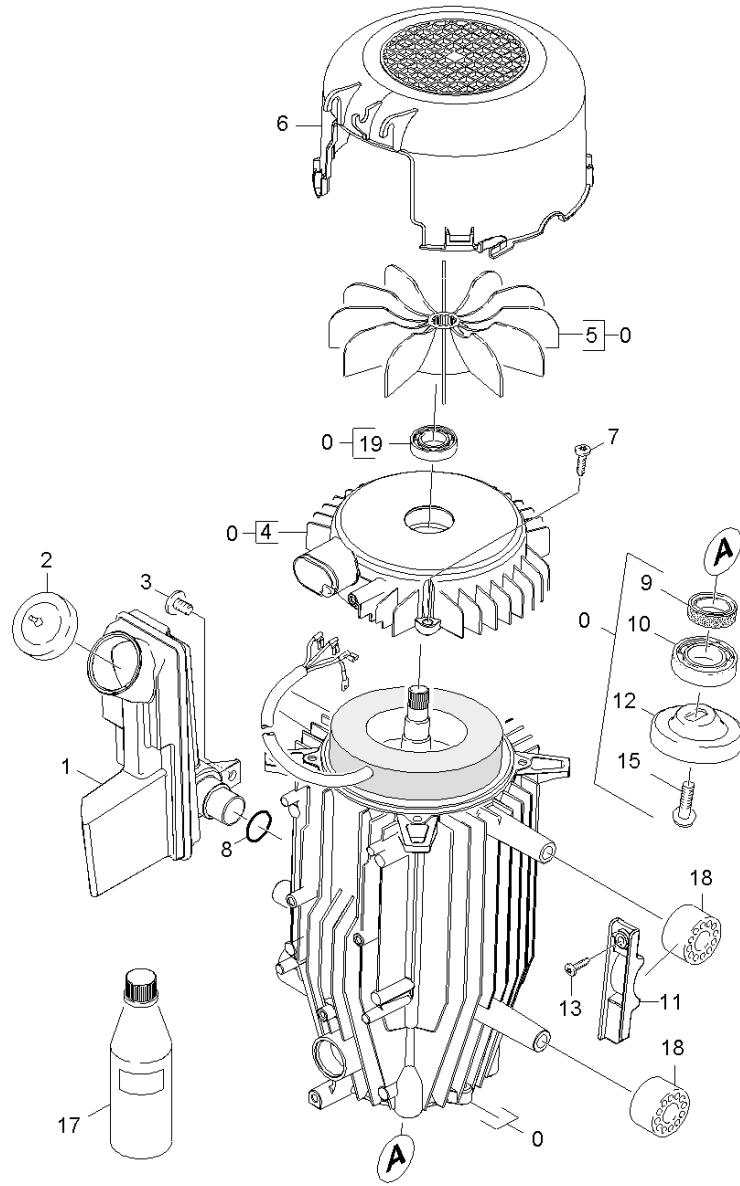
100 PUMP SET HD 5/12 C (2.883-997.0)

ET/VT (spare/wear parts)	Pos	Material #	Name	Qty.	Unit	from ser.nr.	up to ser.nr.
X-X	10	4.132-007.0	Drain plug only for replacement	4.000	ST	0000000000	0000000000
X-X	20	4.580-311.0	Valve complete	6.000	ST	0000000000	0000000000
X-X	30	5.112-726.0	Bush	3.000	ST	0000000000	0000000000
X-X	40	5.115-721.0	Washer	3.000	ST	0000000000	0000000000
X-X	50	5.116-093.0	Washer	3.000	ST	0000000000	0000000000
	60	6.288-072.0	Silicon grease	1.000	ST	0000000000	0000000000
X-X	70	6.362-376.0	O-Ring seal 24,0 X 1,5	3.000	ST	0000000000	0000000000
X-X	80	6.362-384.0	O-Ring seal 9x1,5 - NBR 70	1.000	ST	0000000000	0000000000
X-X	90	6.362-533.0	O-Ring seal 14,0 X 1,5-NBR 70	3.000	ST	0000000000	0000000000
X-X	100	6.365-393.0	Oil sealing 12x20x4/6	3.000	ST	0000000000	0000000000
X-X	110	6.365-477.0	Grooved ring 12x20x5,3/2,8	6.000	ST	0000000000	0000000000



22 Thrust guidance

ET/VT (spare/wear parts)	Pos	Material #	Name	Qty.	Unit	from ser.nr.	up to ser.nr.
X-X	1	4.553-237.0	Piston D12 *CDN	3.000	ST	0000000000	0000000000
X	2	5.061-018.0	Thrust guidance	1.000	ST	0000000000	0000000000
X-X	3	6.365-001.0	Grooved ring 12x20x4/6	3.000	ST	0000000000	0000000000
X	4	7.303-047.0	Screw M6x16 -St-R3R (In6Rd)	2.000	ST	0000000000	0000000000
X-X	5	6.363-252.0	O-Ring seal 75,87 x 2,62	1.000	ST	0000000000	0000000000

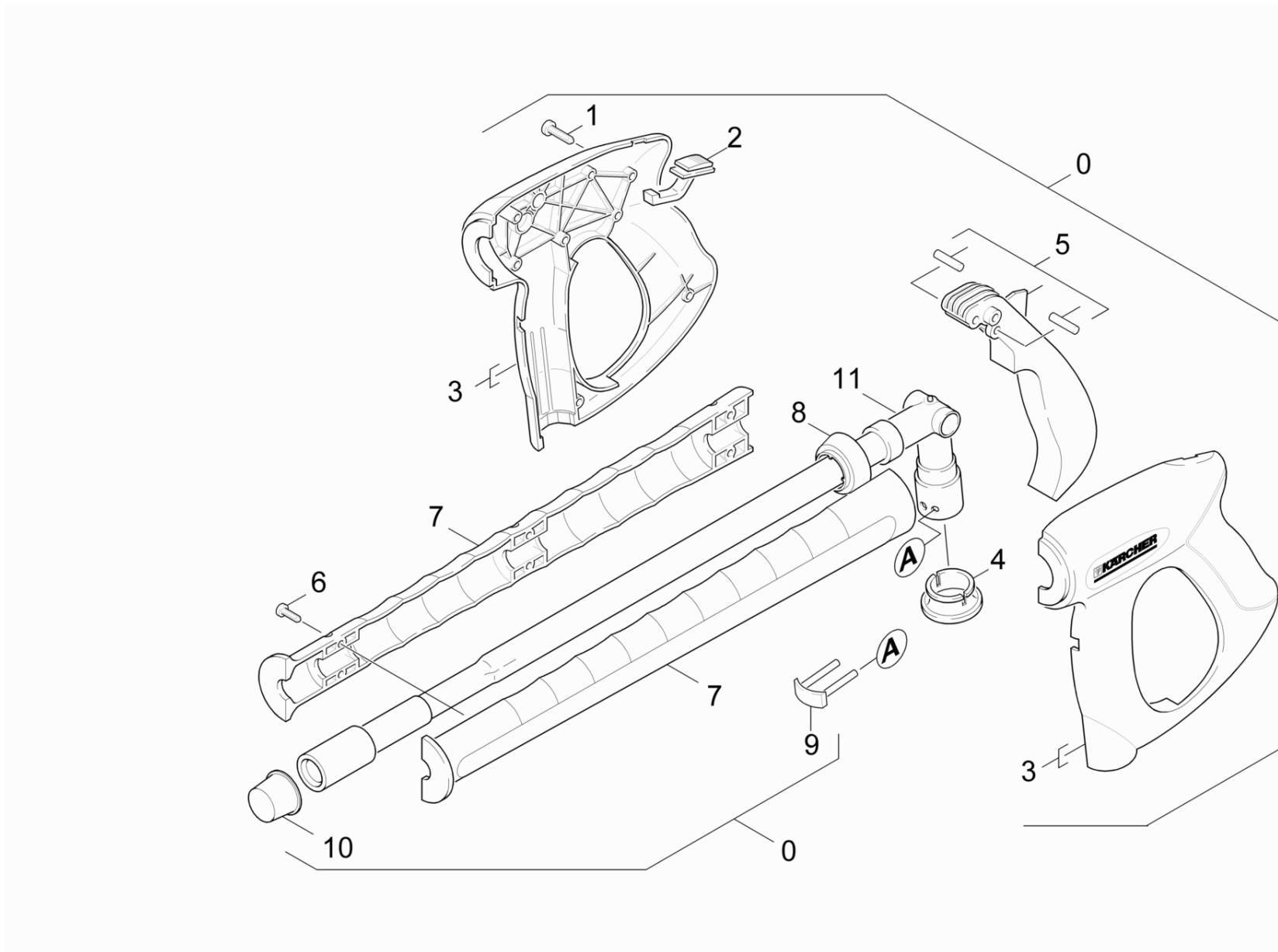


30 Motor

ET/VT (spare/wear parts)	Pos	Material #	Name	Qty.	Unit	from ser.nr.	up to ser.nr.
	0	4.623-680.0	Motor complete only for replacement	1.000	ST		
X-X	1	5.070-639.0	Tank oil	1.000	ST	0000000000	0000000000
X-X	2	5.064-454.0	Cover qusty grey	1.000	ST	0000000000	0000000000
	3	6.303-153.0	Screw M5x15-ST-R2R (IN6RD)	1.000	ST	0000000000	0000000000
X-X	4	5.094-148.0	Bearing cover B	1.000	ST		
X-X	5	5.600-060.0	Blower wheel	1.000	ST	0000000000	0000000000
	6	5.692-081.0	Air circulation	1.000	ST	0000000000	0000000000
	7	6.303-320.0	Screw M 5x 20-St-R2R	4.000	ST	0000000000	0000000000
X-X	8	6.362-161.0	O-Ring seal 19,3 X 2,4	1.000	ST	0000000000	0000000000
X-X	9	7.367-001.0	Radial shaft seal ring A24x37x7 -NBR DI	1.000	ST	0000000000	0000000000
	10	6.401-437.0	Ball bearing	1.000	ST	0000000000	0000000000
X	11	5.802-288.0	Mounting part	2.000	ST	0000000000	0000000000
	12	6.401-196.0	Wobble plate	1.000	ST	0000000000	0000000000
X-X	13	7.303-108.0	Screw 5x20 -10.9-R2R (In6Rd)	2.000	ST	0000000000	0000000000
	15	9.086-169.0	Wobble plate screw M8x16	1.000	ST	0000000000	0000000000
X-X	17	6.288-050.0	Engine oil 1L	1.000	ST	0000000000	0000000000
X	18	5.767-005.0	Rubber buffer	4.000	ST	0000000000	0000000000
X	19	7.401-128.0	Ball bearing 6202-2RS -Wälzl.St DIN 625	1.000	ST	0000000000	0000000000

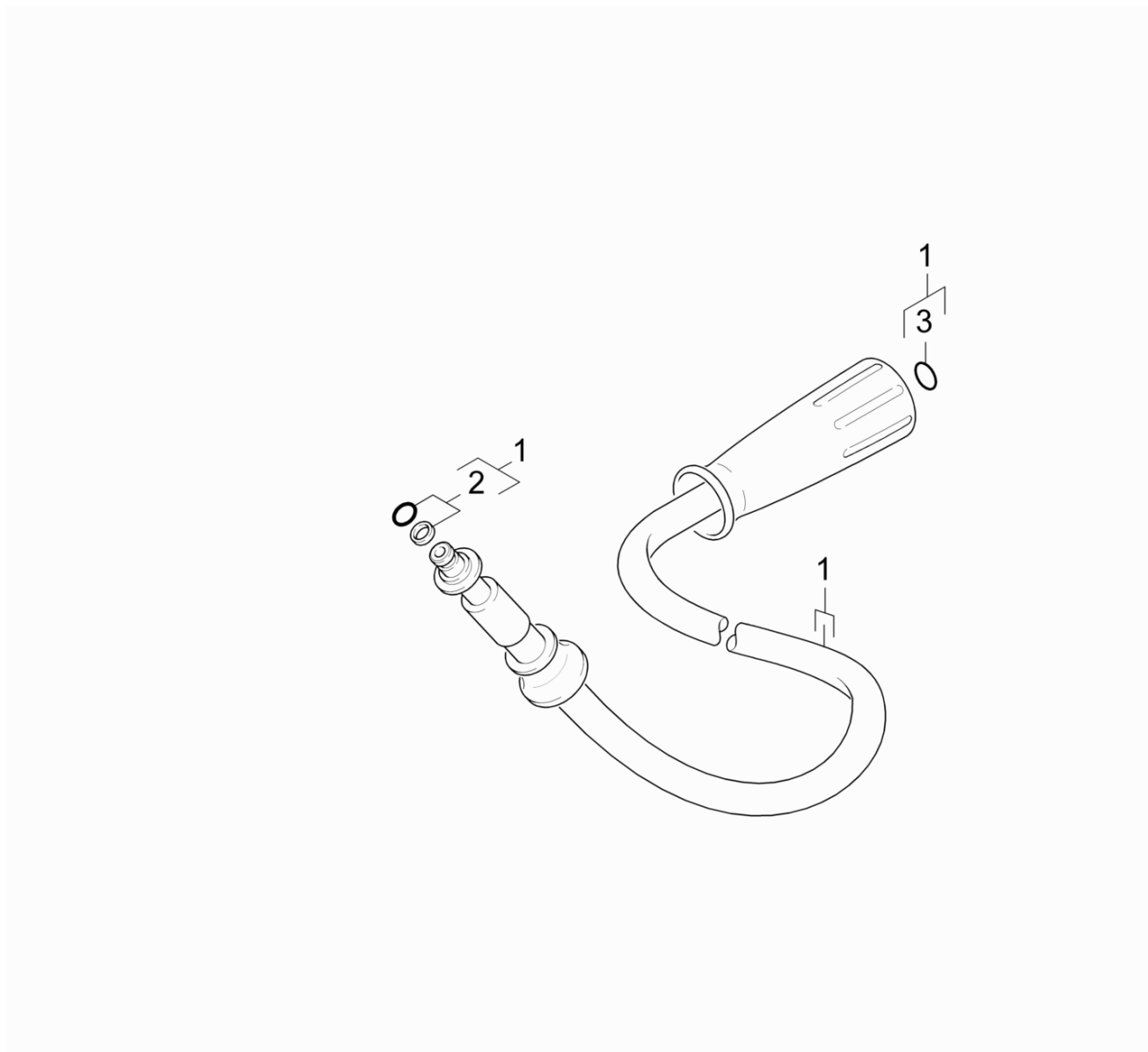
40 Accessories

Pos	Name	Qty.	Unit
41	Hand trigger gun	1.000	ST
42	High pressure hose	1.000	ST
43	Jet pipe	1.000	ST
44	Triple jet nozzle	1.000	ST



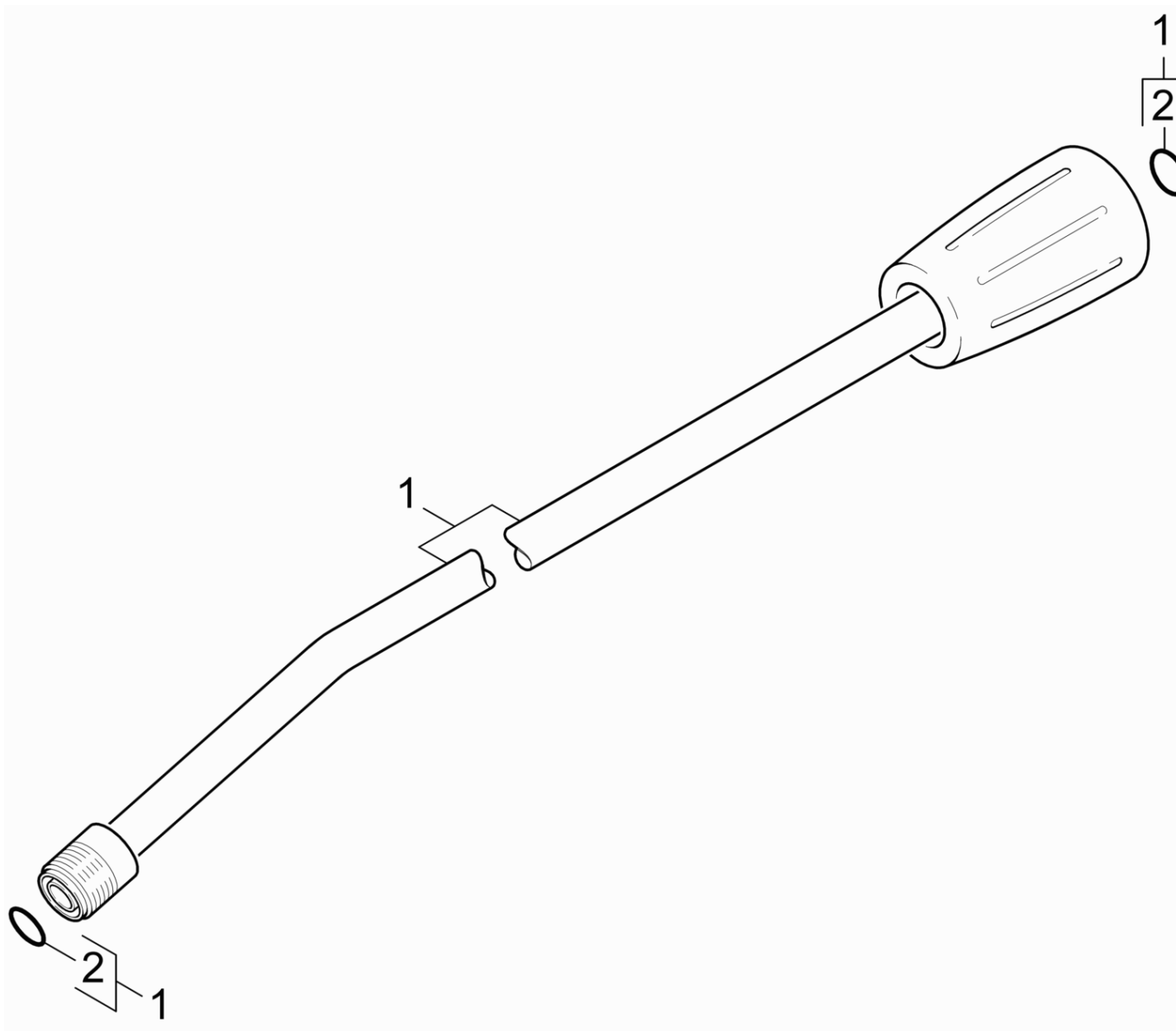
41 Hand trigger gun

ET/VT (spare/wear parts)	Pos	Material #	Name	Qty.	Unit	from ser.nr.	up to ser.nr.
X-X	0	4.775-529.0	Trigger gun	1.000	ST	0000000000	0000000000
	1	7.303-096.0	Screw 4x22 -ST-10.9-R2R (IN6RD)	7.000	ST	0000000000	0000000000
	2	5.481-331.0	Slider	1.000	ST	0000000000	0000000000
	3	5.322-082.0	Handhold few hand trigger gun Low End	1.000	ST	0000000000	0000000000
X-X	4	5.110-596.0	Sleeve	1.000	ST	0000000000	0000000000
X-X	5	4.481-209.0	Lever complete	1.000	ST	0000000000	0000000000
X	6	7.303-129.0	Screw 4x16 -10.9-R2R (K-In6Rd)	6.000	ST	0000000000	0000000000
	7	5.322-083.0	Handhold few extended Low End	1.000	ST	0000000000	0000000000
	8	5.032-801.0	Moulded part	1.000	ST	0000000000	0000000000
X-X	9	4.037-013.0	Hook	1.000	ST	0000000000	0000000000
	10	6.368-012.0	Protecting cap 22X1,5	1.000	ST	0000000000	0000000000
X	11	4.427-363.0	Manifold complete only for replacement L	1.000	ST	0000000000	0000000000



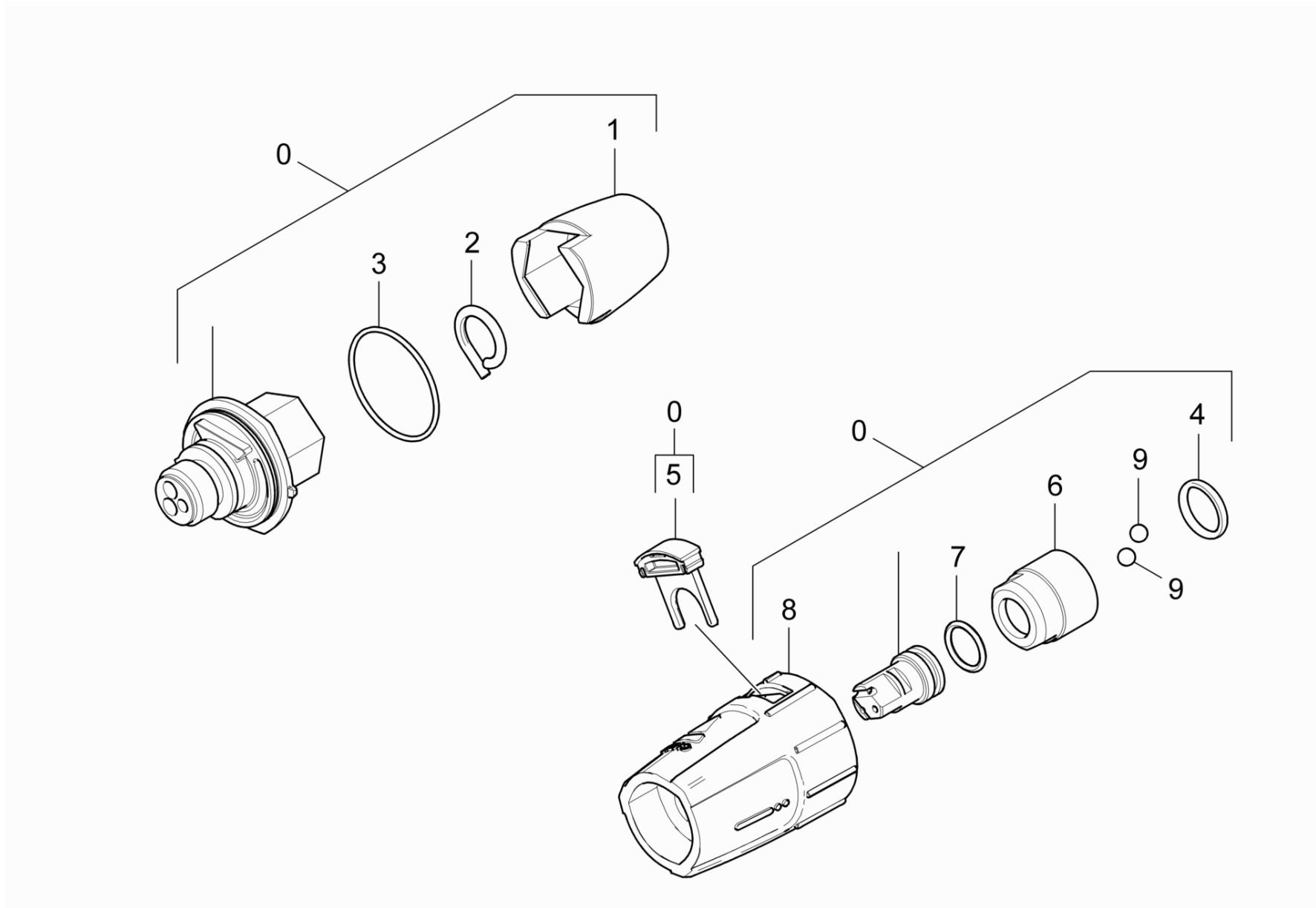
42 High pressure hose

ET/VT (spare/wear parts)	Pos	Material #	Name	Qty.	Unit
X-X	1	6.391-238.0	Hose assembly standard DN6 25MPa 10m	1.000	ST
X-X	2	4.363-691.0	O-Ring seal kpl. -nur fuer Ersatz-	1.000	ST
X-X	3	2.880-990.0	Spare part set O-Ring 5x -Kaercher	1.000	ST



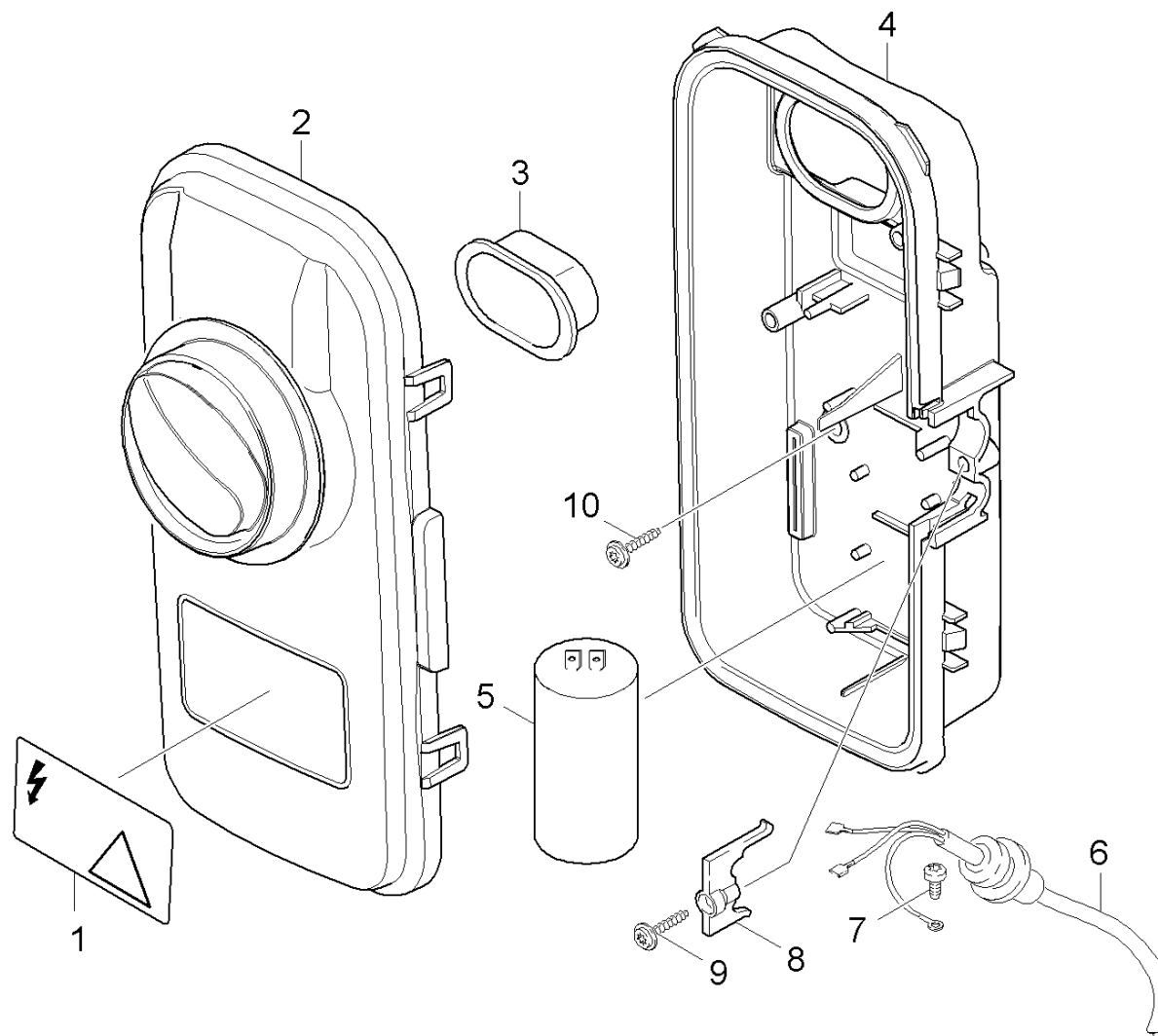
43 Jet pipe

ET/VT (spare/wear parts)	Pos	Material #	Name	Qty.	Unit	from ser.nr.	up to ser.nr.
X-X	1	4.760-665.0	Jet pipe packaged only for replacement	1.000	ST	0000000000	0000000000
X-X	2	2.880-990.0	Spare part set O-Ring 5x -Kaercher	1.000	ST	0000000000	0000000000



44 Triple jet nozzle

ET/VT (spare/wear parts)	Pos	Material #	Name	Qty.	Unit
X-X	0	4.767-148.0	Triple jet nozzle replacement 036	1.000	ST
	1	5.394-530.0	Protection part complete	1.000	ST
	2	6.343-150.0	Pin 03	1.000	ST
	3	6.362-409.0	O-Ring seal 32,0 X 1,5	1.000	ST
	4	6.362-460.0	O-Ring seal 14,0 X 2,5-NBR 70	1.000	ST
	5	5.321-884.0	Clamp	1.000	ST
	6	5.311-225.0	Nut	1.000	ST
X-X	7	6.362-480.0	O-Ring seal 12,42x 1,78	1.000	ST
	8	5.394-859.0	Protection part	1.000	ST
	9	7.401-902.0	Sphere 5 G20 -1.4034 DIN 5401	2.000	ST



50 Electric box

ET/VT (spare/wear parts)	Pos	Material #	Name	Qty.	Unit	from ser.nr.	up to ser.nr.	var. information
	1	5.388-512.0	Label	1.000	ST	0000000000	0000000000	
X-X	2	4.744-269.0	Switch complete	1.000	ST	0000000000	0000000000	
	3	5.365-181.0	Profile gasket	1.000	ST	0000000000	0000000000	
	4	5.061-084.0	Housing	1.000	ST	0000000000	0000000000	
X-X	5	6.661-237.0	Capacitor 70µF	1.000	ST	0000000000	0000000000	70 mF
	6	6.649-292.0	Cable with plug	1.000	ST			
	7	7.303-031.0	Screw M4x10 -St-P2R (In6Rd)	1.000	ST	0000000000	0000000000	
	8	5.263-051.0	Tensioning part	1.000	ST	0000000000	0000000000	
	9	6.303-200.0	Screw 5x25-IN6RD	1.000	ST	0000000000	0000000000	
	10	6.303-153.0	Screw M5x15-ST-R2R (IN6RD)	3.000	ST	0000000000	0000000000	