

Spare parts list

(1.809-692.0) HD 1200 BXE

Table of contents

HD 1200 BXE (1.809-692.0)	3
Spare parts list HD 1200 BXE (5.955-182.0)	4
10 Individual parts	5
11 Individual parts	6
12 Base frame	8
20 Pump set	10
21 Excess-current	11
22 Speed control	13
23 Cylinder head	15
24 Chemistry	17
25 Piston	19
100 PUMPSET (2.883-285.0)	21
30 Motor	22
31 Individual parts	23
32 Transmission	25
40 Accessories	27
41 Hand trigger gun	28
100 Spare part set 4.775-041 (2.880-369.0)	30
42 Hand trigger gun	31
1 Hand trigger gun (4.775-466.0)	33
60 Adapter pipelines AVS-M22x1,5 (4.421-739.3)	35
9002 Lever complete (4.481-209.0)	37
4 Lever complete (4.481-209.0)	39
9 Adapter pipelines AVS-M22x1,5 (4.421-739.3)	41
10 Rotary controller 416L (4.775-470.0)	43
43 Jet pipe	45
Jet pipe packaged only for replacement (4.760-660.0)	47
44 Jet pipe	49
1 Jet pipe packaged only for replacement (4.760-660.0)	51
45 Nozzle	53
Triple jet nozzle 06 (4.767-067.0)	55
2 Spare parts list triple jet nozzle (5.970-000.0)	56
10 Triple jet nozzle	57
17 Nozzle holder 055 (4.764-159.0)	59

HD 1200 BXE (1.809-692.0)

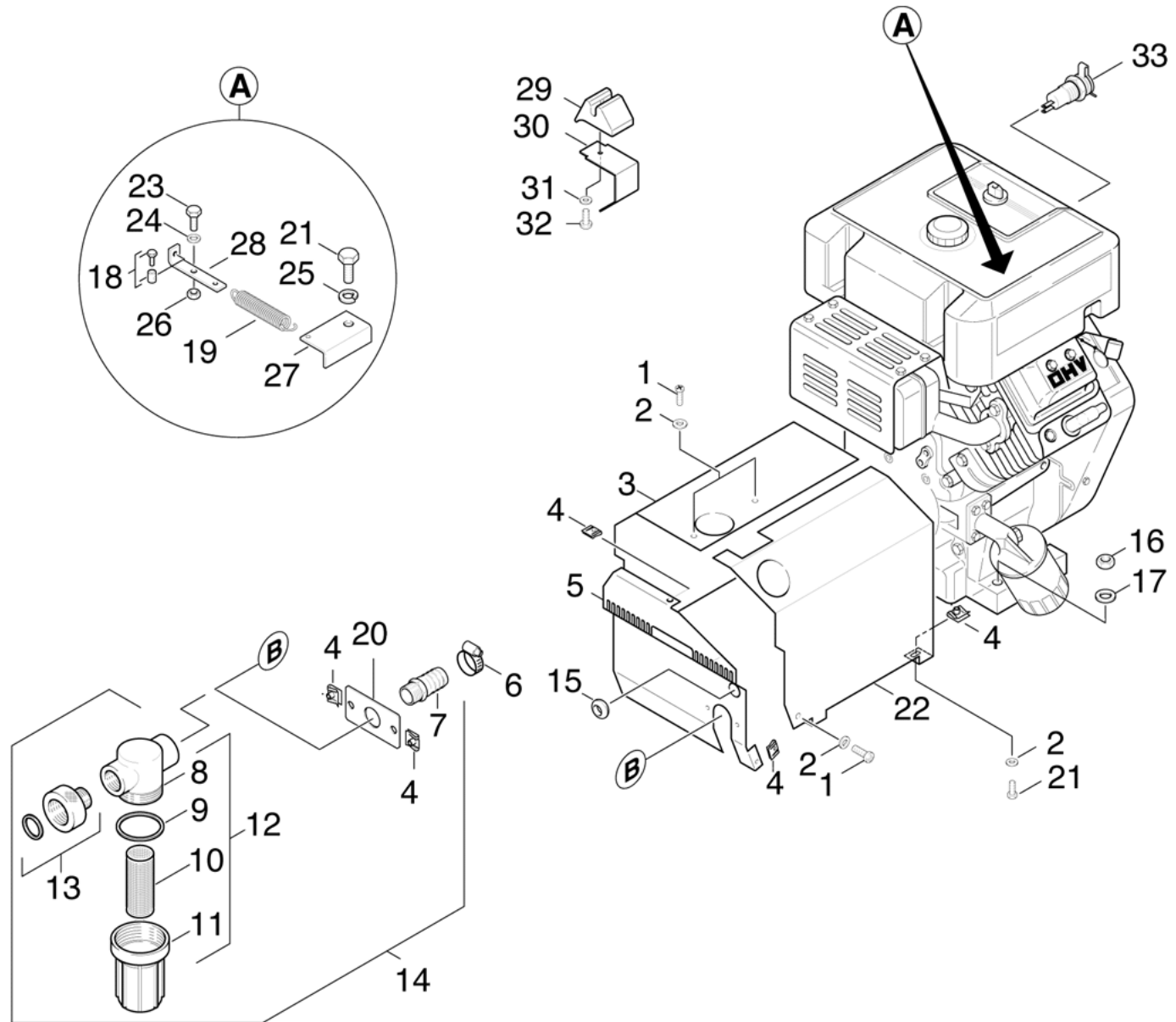
POS	Article no.	Description	Quantity	Unit
0	5.955-182.0	Spare parts list HD 1200 BXE	1.000	ST

Spare parts list HD 1200 BXE (5.955-182.0)

POS	Description	Quantity	Unit
10	Individual parts	1.000	ST
20	Pump set	1.000	ST
30	Motor	1.000	ST
40	Accessories	1.000	ST

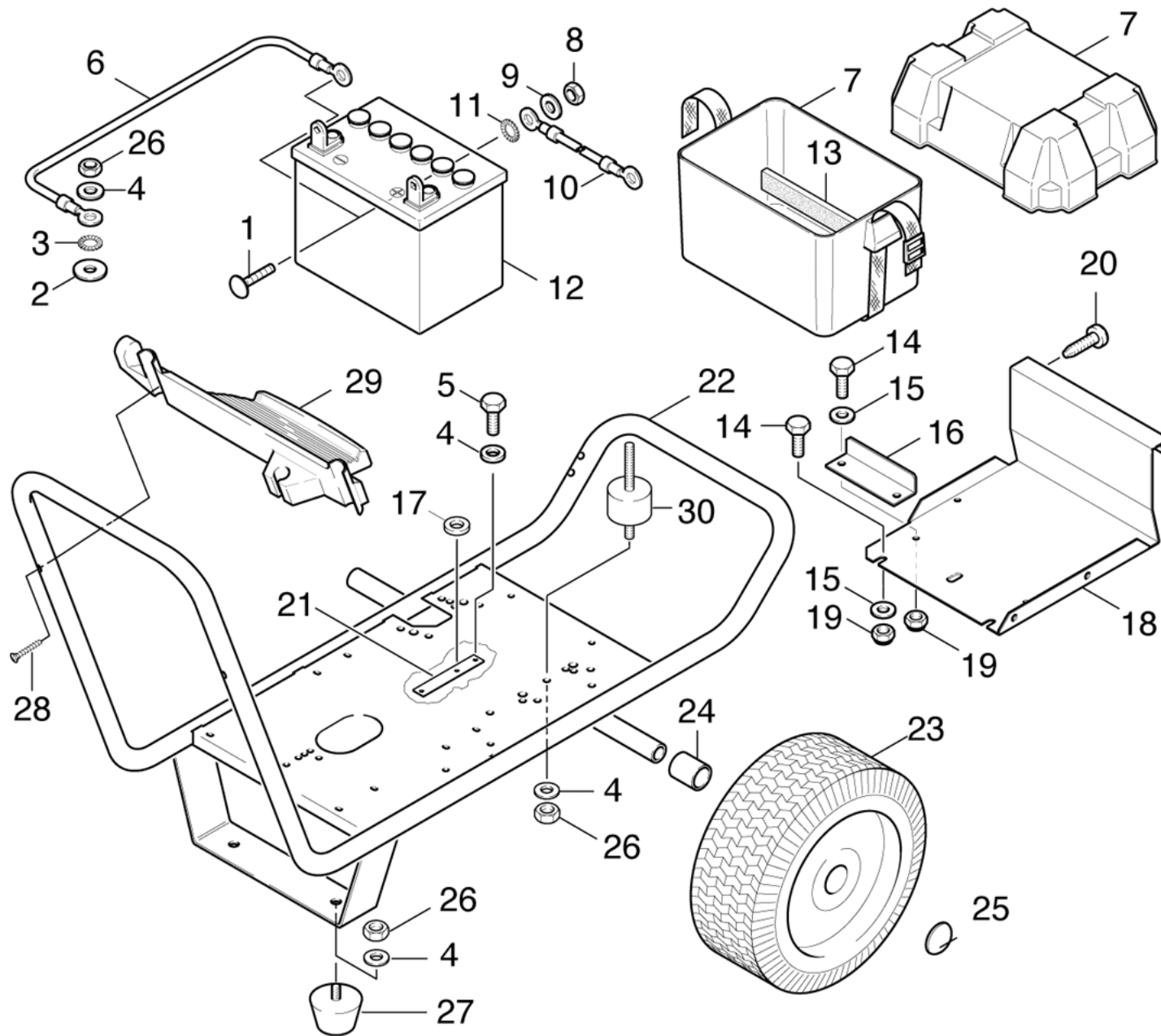
10 Individual parts

POS	Description	Quantity	Unit
11	Individual parts	1.000	ST
12	Base frame	1.000	ST



11 Individual parts

POS	Article no.	Description	Quantity	Unit
1	7.306-077.0	Screw M5x16 -8.8-R2R (In6Rd)	5.000	ST
2	7.312-002.0	Washer 5-200HV-A3E ISO 7090	9.000	ST
3	7.777-999.0	Stockpiling discontinued	1.000	ST
4	6.310-051.0	Putting nut M 5	10.000	ST
5	5.841-278.0	Control panel	1.000	ST
6	6.388-548.0	Hose clip	1.000	ST
7	6.389-658.0	Hose stem	1.000	ST
8	6.414-370.0	Filter top part	1.000	ST
9	6.414-371.0	Seal	1.000	ST
10	6.414-372.0	Filter cartridge	1.000	ST
11	6.414-373.0	Filter bottom part	1.000	ST
12	6.414-364.0	Water filter *	1.000	ST
13	7.777-999.0	Stockpiling discontinued	1.000	ST
14	2.638-092.0	Water filter	1.000	ST
15	6.641-640.0	Wire protecting sleeve D21	1.000	ST
16	7.311-427.0	Hexagon nut M8 -04-A2E ISO 10511	3.000	ST
17	7.312-004.0	Washer 8 -200HV-A3E ISO 7090	3.000	ST
18	7.777-999.0	Stockpiling discontinued	1.000	ST
19	6.330-011.0	Extension spring	1.000	ST
20	5.001-244.0	Plate	1.000	ST
21	7.306-077.0	Screw M5x16 -8.8-R2R (In6Rd)	5.000	ST
22	7.777-999.0	Stockpiling discontinued	1.000	ST
23	7.306-057.0	Screw M4x10 -8.8-R2R (In6Rd)	1.000	ST
24	7.312-001.0	Washer 4 -200HV-A3E ISO 7089	1.000	ST
25	7.313-002.0	Spring washer B 5-FSt-A3E DIN 127	1.000	ST
26	7.311-430.0	Hexagon nut M4 -04-A2E ISO 10511	1.000	ST
27	5.045-664.0	Sheet metal component	1.000	ST
28	7.777-999.0	Stockpiling discontinued	1.000	ST
29	5.042-406.0	Holder	1.000	ST
30	5.045-665.0	Sheet metal component	1.000	ST
31	7.312-281.0	Washer 4 -200HV-A2E ISO7093-1	1.000	ST
32	6.303-122.0	M4 .2X13 DIN 7981 TORX T15 PAN HD HI/LO	1.000	ST
33	6.646-203.0	Plug socket two-pole 12V-8A	1.000	ST

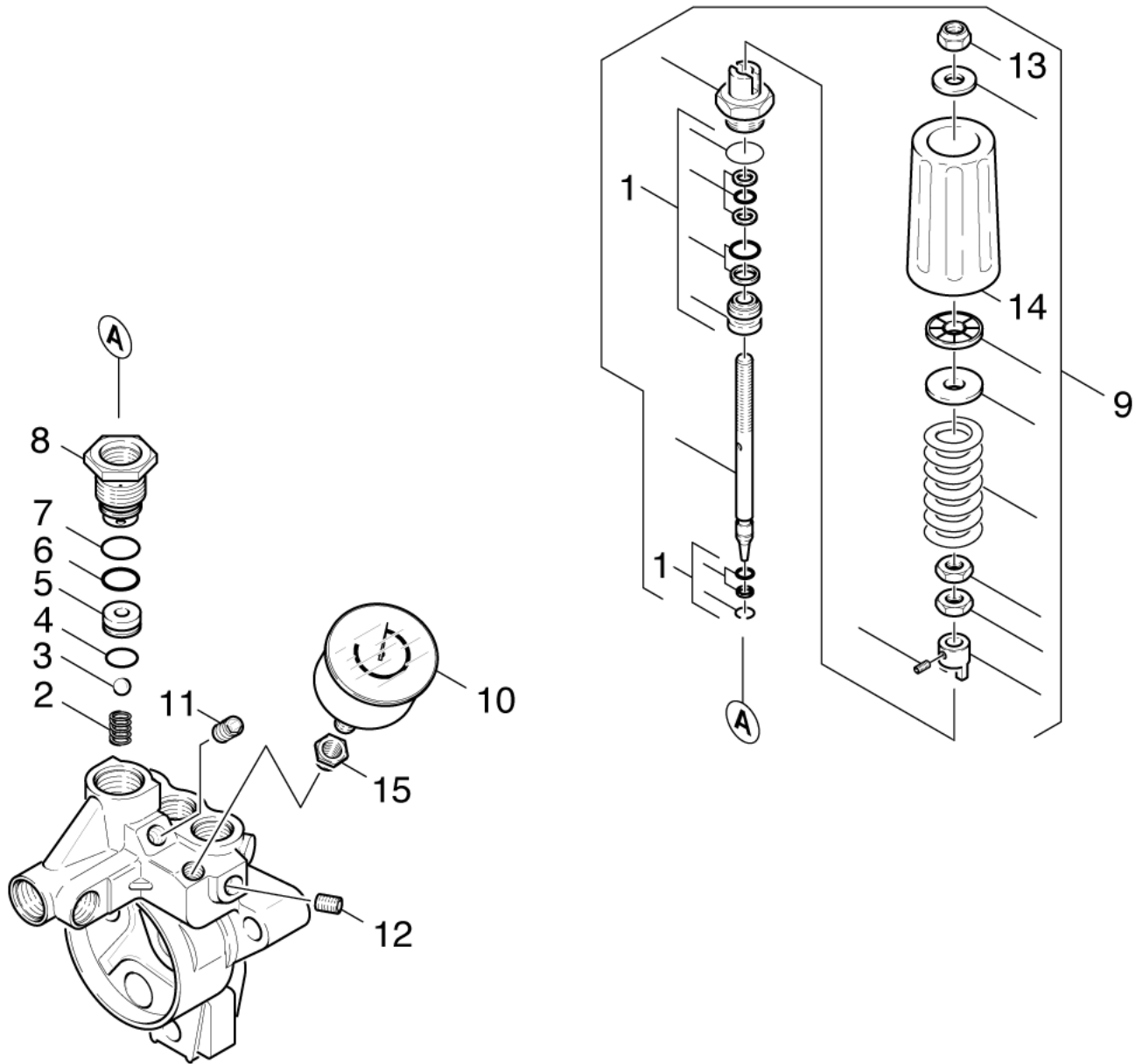


12 Base frame

POS	Article no.	Description	Quantity	Unit
1	7.303-800.0	Round head bolt 1/4-20X1 1/4-ST-VZ G.2AS	2.000	ST
2	7.312-277.0	Washer 8-200HV-A2E ISO7093-1	1.000	ST
3	7.312-166.0	Toothed lock washer A8,4-FSt-A3E DIN 67	1.000	ST
4	7.312-004.0	Washer 8 -200HV-A3E ISO 7090	8.000	ST
5	7.304-397.0	Hexagonal head screw M8x20-8.8-A2E ISO	1.000	ST
6	7.777-999.0	Stockpiling discontinued	1.000	ST
7	6.654-025.0	Housing battery	1.000	ST
8	7.311-800.0	Hexagon nut 1/4"-20-ST-VZ ASME B18.2.2	2.000	ST
9	7.312-901.0	Washer 1/4"-ST-VZ ANSI B18.22.1	2.000	ST
10	4.820-518.0	Cable red 16,0mm²x650mm	1.000	ST
11	7.312-902.0	Toothed lock washer 1/4"-ST-VZ ANSI B18.	2.000	ST
12	6.654-024.0	Battery	1.000	ST
13	6.273-120.0	Adhesiv tape Zellkautschuk	2.000	M
14	7.306-090.0	Screw M6x16 -8.8-R3R (In6Rd)	4.000	ST
15	7.312-003.0	Washer 6 -200HV-A3E ISO 7090	4.000	ST
17	7.312-261.0	Washer 8 -100HV-A3E ISO 7094	1.000	ST
19	7.311-512.0	Hexagon nut M 6-8-A2E ISO 7040	4.000	ST
20	6.303-105.0	Screw M6x20-ST-A2R DIN 7500-1	2.000	ST
22	7.777-999.0	Stockpiling discontinued	1.000	ST
23	7.777-999.0	Stockpiling discontinued	2.000	ST
24	5.110-413.0	Sleeve	2.000	ST
25	6.343-137.0	Quick-fastener	2.000	ST
26	7.311-427.0	Hexagon nut M8 -04-A2E ISO 10511	11.000	ST
27	6.339-100.0	Rubber buffer	2.000	ST
28	7.303-384.0	Sheet metal screw ST4,8X38,0-ST-A2S IS	2.000	ST
29	5.321-273.0	Handhold	1.000	ST
30	6.339-101.0	Rubber buffer	4.000	ST

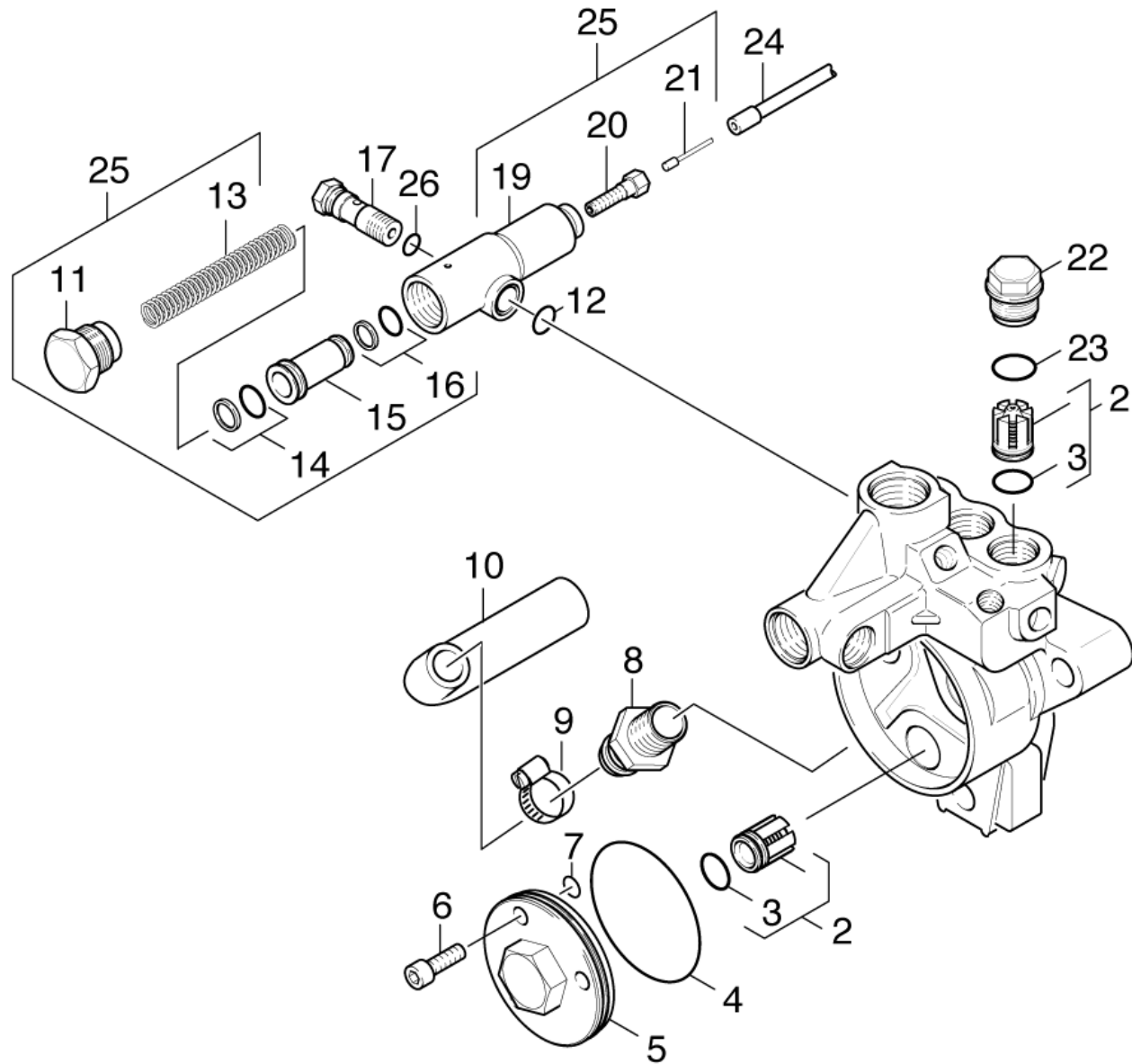
20 Pump set

POS	Description	Quantity	Unit
21	Excess-current	1.000	ST
22	Speed control	1.000	ST
23	Cylinder head	1.000	ST
24	Chemistry	1.000	ST
25	Piston	1.000	ST



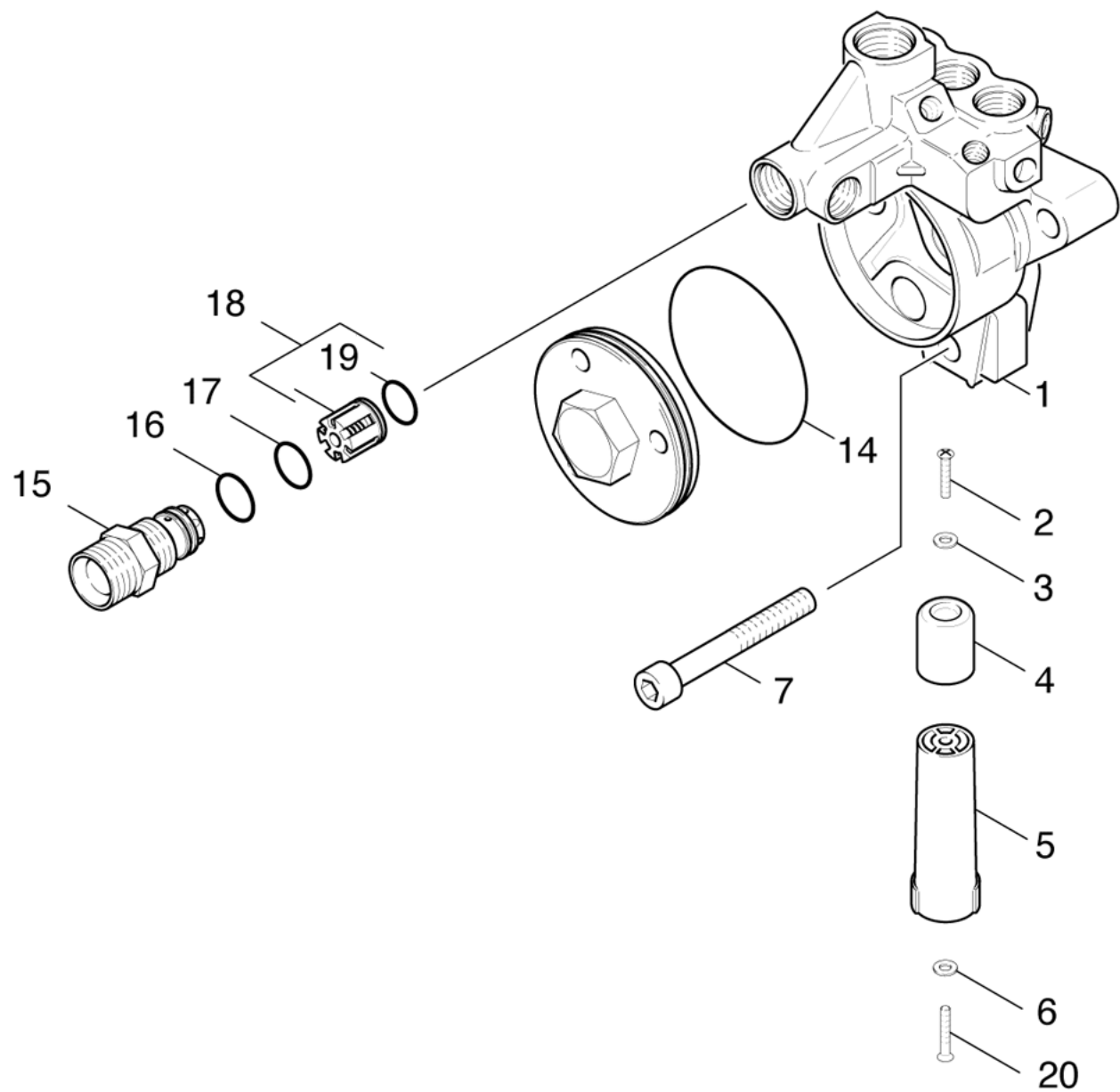
21 Excess-current

POS	Article no.	Description	Quantity	Unit
1	6.412-043.0	Spare part set C	1.000	ST
2	5.332-066.0	Helical spring	1.000	ST
3	7.401-928.0	Sphere 8 G300 -1.4301 DIN 5401	1.000	ST
4	6.362-481.0	O-Ring seal 14,0 x 2,0 NBR 80	1.000	ST
5	5.581-160.0	Valve seat	1.000	ST
6	6.362-799.0	O-Ring seal 18,0 X 1,0	1.000	ST
7	6.362-079.0	O-Ring seal 18,0 X 2,5	1.000	ST
8	5.305-193.0	Shaped screw	1.000	ST
9	6.412-049.0	Excess-current -FA. SUTTNER	1.000	ST
10	6.421-214.0	Pressure gauge 0-300 BAR	1.000	ST
11	7.382-301.0	Screw plug R 1/4"-ISK St-A2E DIN 906	1.000	ST
12	7.382-300.0	Screw plug M10x1-ISK- St-A2E DIN 906	1.000	ST
13	7.311-439.0	Hexagon nut M 8x1,0-6-A2E ISO 10512	1.000	ST
14	6.412-045.0	Hand wheel cap	1.000	ST
15	6.385-786.0	Reducing nipple	1.000	ST



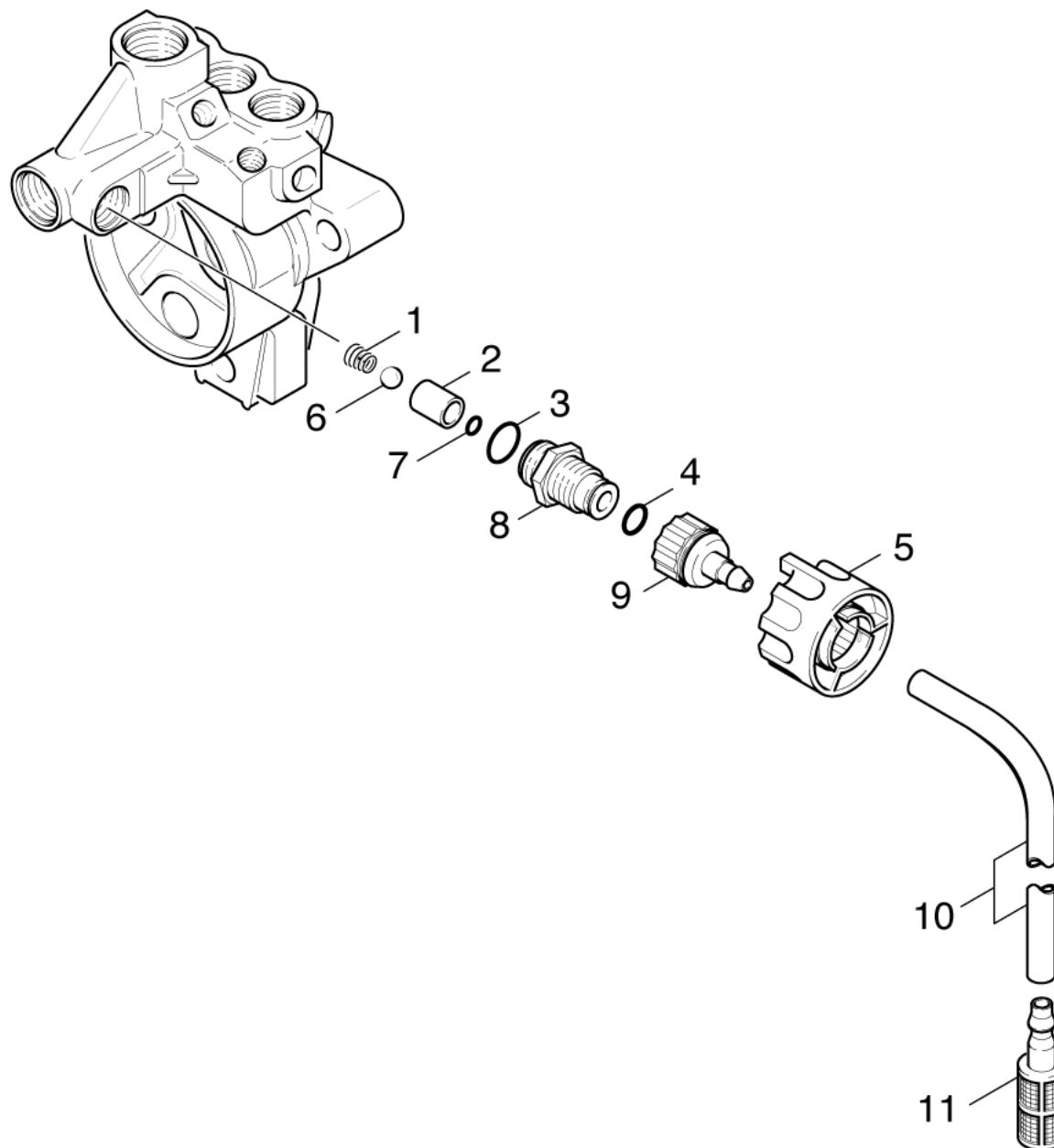
22 Speed control

POS	Article no.	Description	Quantity	Unit	Remark
2	2.884-911.0	Valve (3 Stück)	1.000	ST	
3	6.362-481.0	O-Ring seal 14,0 x 2,0 NBR 80	6.000	ST	
4	6.362-501.0	O-Ring seal 68,0 X 2,0-NBR 70	1.000	ST	
5	5.063-466.0	Cover housing	1.000	ST	
6	7.306-062.0	Cylinder head screw M10x25 -8.8-A3E DIN	3.000	ST	VERSION 2
6	7.306-042.0	Cylinder head screw M8x25 -8.8-A2E ISO4	3.000	ST	VERSION 1
7	6.362-402.0	O-Ring seal 11,0 X 1,3-NBR 70	3.000	ST	
8	6.388-612.0	Hose stem R3/4"	1.000	ST	
9	6.388-548.0	Hose clip	1.000	ST	
10	5.442-747.0	Piece of tube	1.000	ST	
11	5.411-081.0	Screw plug	1.000	ST	
12	6.362-527.0	O-Ring seal 12,0 X 1,5-NBR 70	1.000	ST	
13	5.332-232.0	Helical spring	1.000	ST	
14	6.362-611.0	O-Ring seal complete	1.000	ST	
15	5.553-222.0	Piston	1.000	ST	
16	6.362-575.0	O-Ring seal 12,42 KOMPL	1.000	ST	
17	5.404-063.0	Hollow screw	1.000	ST	
19	5.060-335.0	Housing	1.000	ST	
20	6.431-054.0	Adjusting screw	1.000	ST	
21	6.431-089.0	Strand 635 mm	1.000	ST	
22	5.583-090.0	Valve screw	3.000	ST	
23	6.362-153.0	O-Ring seal 15,3 X 2,4-NBR 70	3.000	ST	
24	6.431-076.0	Wire cage 480mm	1.000	ST	
25	4.741-017.0	Speed control -HD 1200 B/BE	1.000	ST	
26	6.362-384.0	O-Ring seal 9x1,5 - NBR 70	1.000	ST	



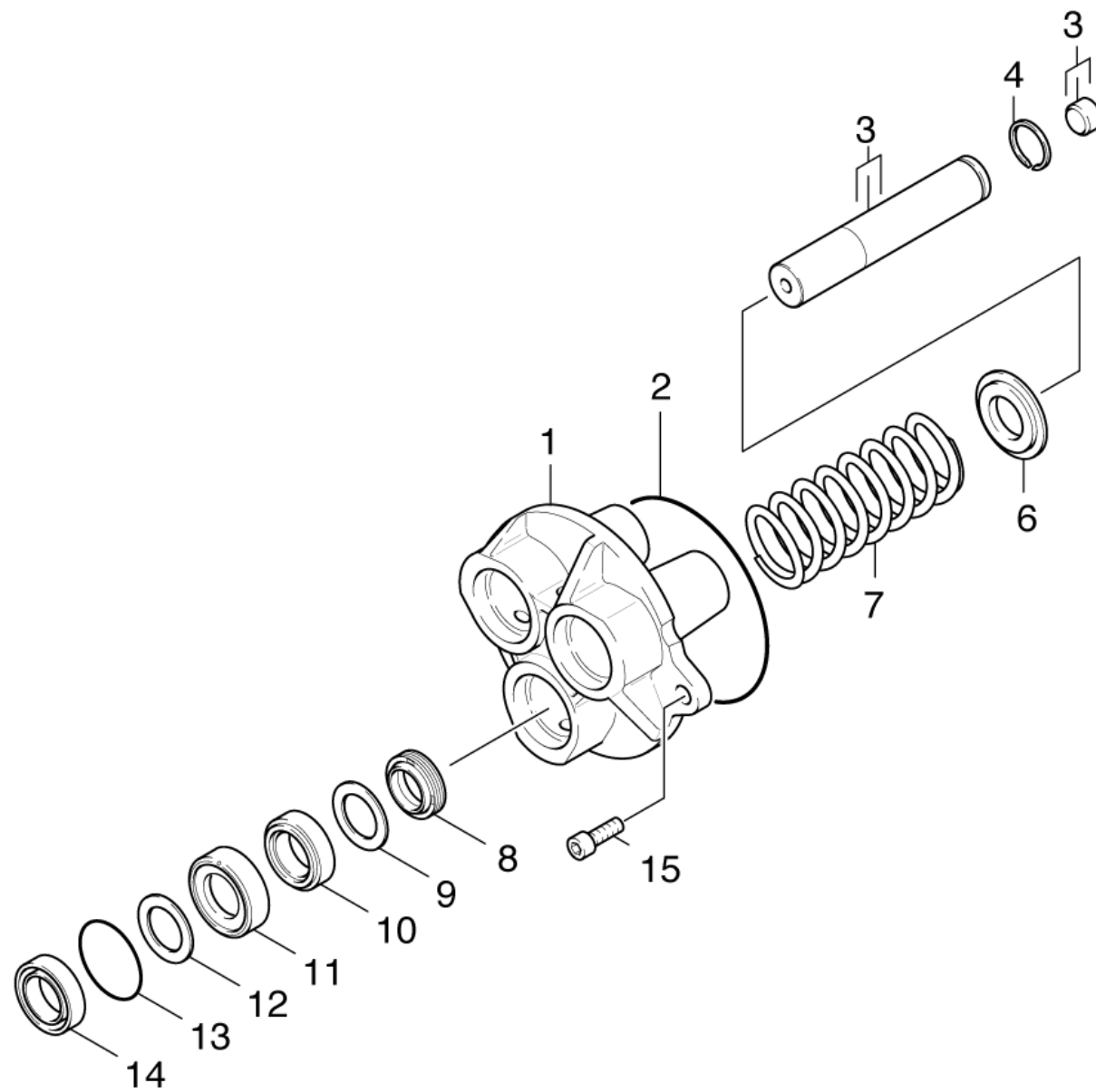
23 Cylinder head

POS	Article no.	Description	Quantity	Unit
1	7.777-999.0	Stockpiling discontinued	1.000	ST
2	7.303-096.0	Screw 4x22 -ST-10.9-R2R (IN6RD)	1.000	ST
3	7.312-072.0	Washer 4 -CuZn ISO 7092	1.000	ST
4	6.339-120.0	Rubber buffer D20 H23	1.000	ST
5	5.108-140.0	Pin plastics	1.000	ST
6	7.312-281.0	Washer 4 -200HV-A2E ISO7093-1	1.000	ST
7	7.306-122.0	Cylinder head screw M12x80- 8.8-A3E IS	3.000	ST
14	6.362-501.0	O-Ring seal 68,0 X 2,0-NBR 70	1.000	ST
15	5.769-116.0	Nozzle insert only for replacement D2,6	1.000	ST
16	6.362-153.0	O-Ring seal 15,3 X 2,4-NBR 70	1.000	ST
17	6.362-481.0	O-Ring seal 14,0 x 2,0 NBR 80	1.000	ST
18	4.580-219.0	Valve complete	1.000	ST
19	6.362-381.0	O-Ring seal 13x2 - NBR 70	1.000	ST
20	6.303-122.0	M4 .2X13 DIN 7981 TORX T15 PAN HD HI/LO	1.000	ST



24 Chemistry

POS	Article no.	Description	Quantity	Unit	Foot note text
1	5.332-124.0	Helical spring	1.000	ST	
2	5.026-764.0	Tube	1.000	ST	
3	6.362-533.0	O-Ring seal 14,0 X 1,5-NBR 70	1.000	ST	
4	6.362-151.0	O-Ring d. 10 x 2 NBR 70	1.000	ST	
5	5.321-199.0	Handhold	1.000	ST	
6	7.401-908.0	Sphere 7 G300 -1.4301 DIN 5401	1.000	ST	
7	6.362-383.0	O-Ring seal 6,0 X 2,0	1.000	ST	
8	5.402-362.0	Screw union	1.000	ST	
9	5.443-281.0	Hose stem	1.000	ST	
10	6.388-216.0	Hose DN 5	1.000	M	TO ORDER AS CUT GOODS
11	5.731-652.0	Filter with weight	1.000	ST	



25 Piston

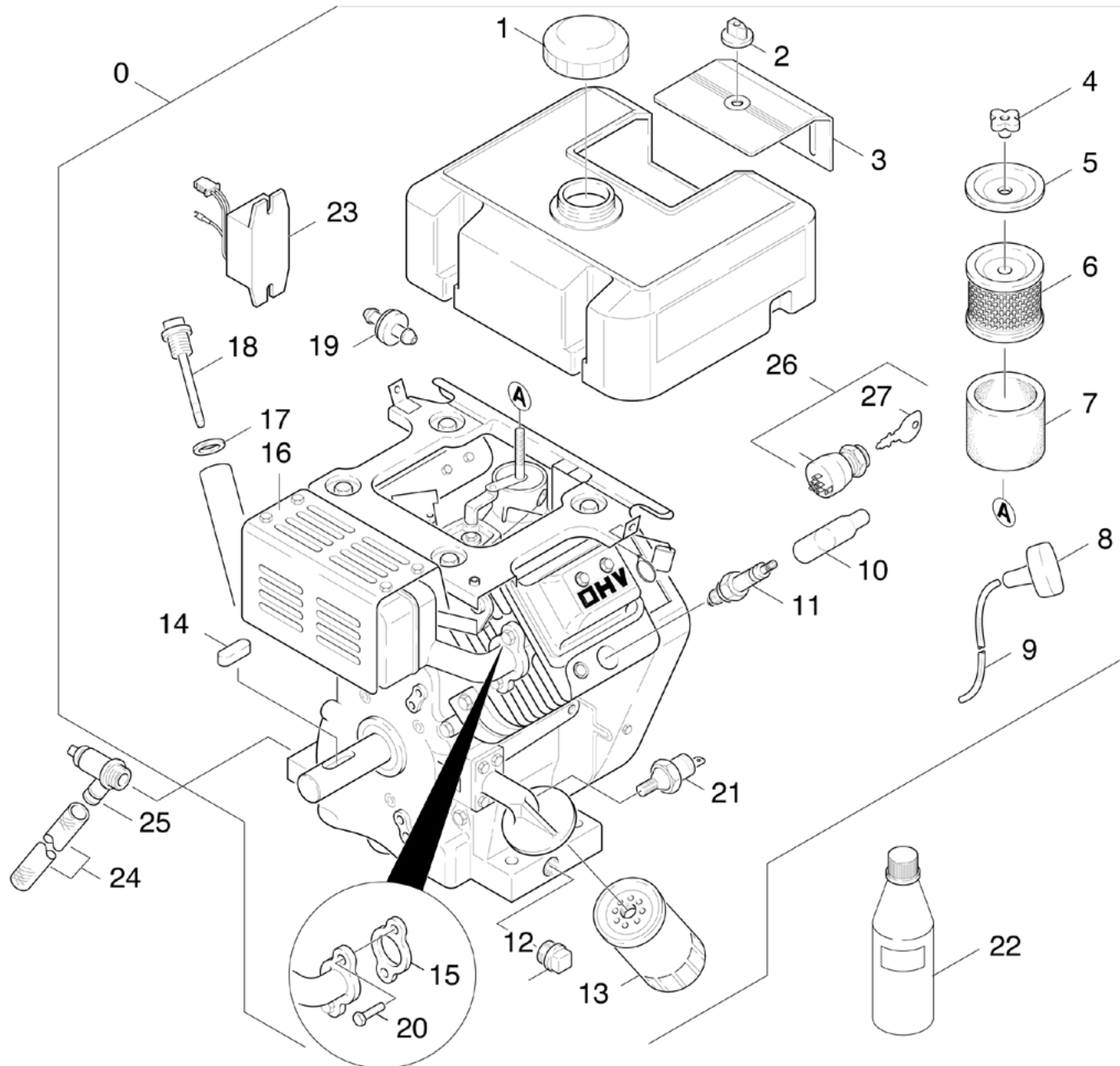
POS	Article no.	Description	Quantity	Unit
1	5.060-261.0	Housing	1.000	ST
2	6.362-448.0	O-Ring seal 100,0 X 1,78	1.000	ST
3	7.777-999.0	Stockpiling discontinued	3.000	ST
4	6.472-331.0	Snap ring 20	3.000	ST
6	5.115-289.0	Washer	3.000	ST
7	5.332-150.0	Helical spring	3.000	ST
8	6.365-052.0	Grooved ring 20X28X6/8	3.000	ST
9	5.115-255.0	Washer	3.000	ST
10	6.365-053.0	Compact seal 20X30X6	3.000	ST
11	5.112-181.0	Bush	3.000	ST
12	5.115-224.0	Washer	3.000	ST
13	6.363-607.0	O-Ring seal 34,65 x 1,78 -NBR70	3.000	ST
14	6.365-330.0	Grooved ring	3.000	ST
15	7.306-042.0	Cylinder head screw M8x25 -8.8-A2E ISO4	2.000	ST
100	2.883-285.0	PUMPSET	1.000	ST

100 PUMPSET (2.883-285.0)

POS	Article no.	Description	Quantity	Unit
10	4.580-175.0	Valve complete	6.000	ST
20	4.580-219.0	Valve complete	1.000	ST
30	5.115-224.0	Washer	3.000	ST
40	5.332-004.0	Helical spring	1.000	ST
50	5.332-066.0	Helical spring	1.000	ST
60	5.332-124.0	Helical spring	1.000	ST
70	5.581-128.0	Valve seat	1.000	ST
80	5.581-160.0	Valve seat	1.000	ST
90	5.582-003.0	Valve disc	1.000	ST
100	5.587-185.0	Valve housing	1.000	ST
110	5.769-115.0	Nozzle insert D2,4	1.000	ST
120	6.362-079.0	O-Ring seal 18,0 X 2,5	1.000	ST
130	6.362-151.0	O-Ring d. 10 x 2 NBR 70	1.000	ST
140	6.362-153.0	O-Ring seal 15,3 X 2,4-NBR 70	1.000	ST
150	6.362-383.0	O-Ring seal 6,0 X 2,0	1.000	ST
160	6.362-384.0	O-Ring seal 9x1,5 - NBR 70	3.000	ST
170	6.362-402.0	O-Ring seal 11,0 X 1,3-NBR 70	3.000	ST
180	6.362-448.0	O-Ring seal 100,0 X 1,78	1.000	ST
190	6.362-481.0	O-Ring seal 14,0 x 2,0 NBR 80	2.000	ST
200	6.363-607.0	O-Ring seal 34,65 x 1,78 -NBR70	3.000	ST
210	6.362-501.0	O-Ring seal 68,0 X 2,0-NBR 70	1.000	ST
220	6.362-524.0	O-Ring seal 17,0 X 1,5	1.000	ST
230	6.362-527.0	O-Ring seal 12,0 X 1,5-NBR 70	1.000	ST
240	6.362-533.0	O-Ring seal 14,0 X 1,5-NBR 70	1.000	ST
250	6.362-799.0	O-Ring seal 18,0 X 1,0	1.000	ST
260	6.365-052.0	Grooved ring 20X28X6/8	3.000	ST
270	6.365-053.0	Compact seal 20X30X6	3.000	ST
280	6.365-330.0	Grooved ring	3.000	ST
290	6.412-043.0	Spare part set C	1.000	ST
300	7.401-908.0	Sphere 7 G300 -1.4301 DIN 5401	1.000	ST
310	7.401-928.0	Sphere 8 G300 -1.4301 DIN 5401	1.000	ST

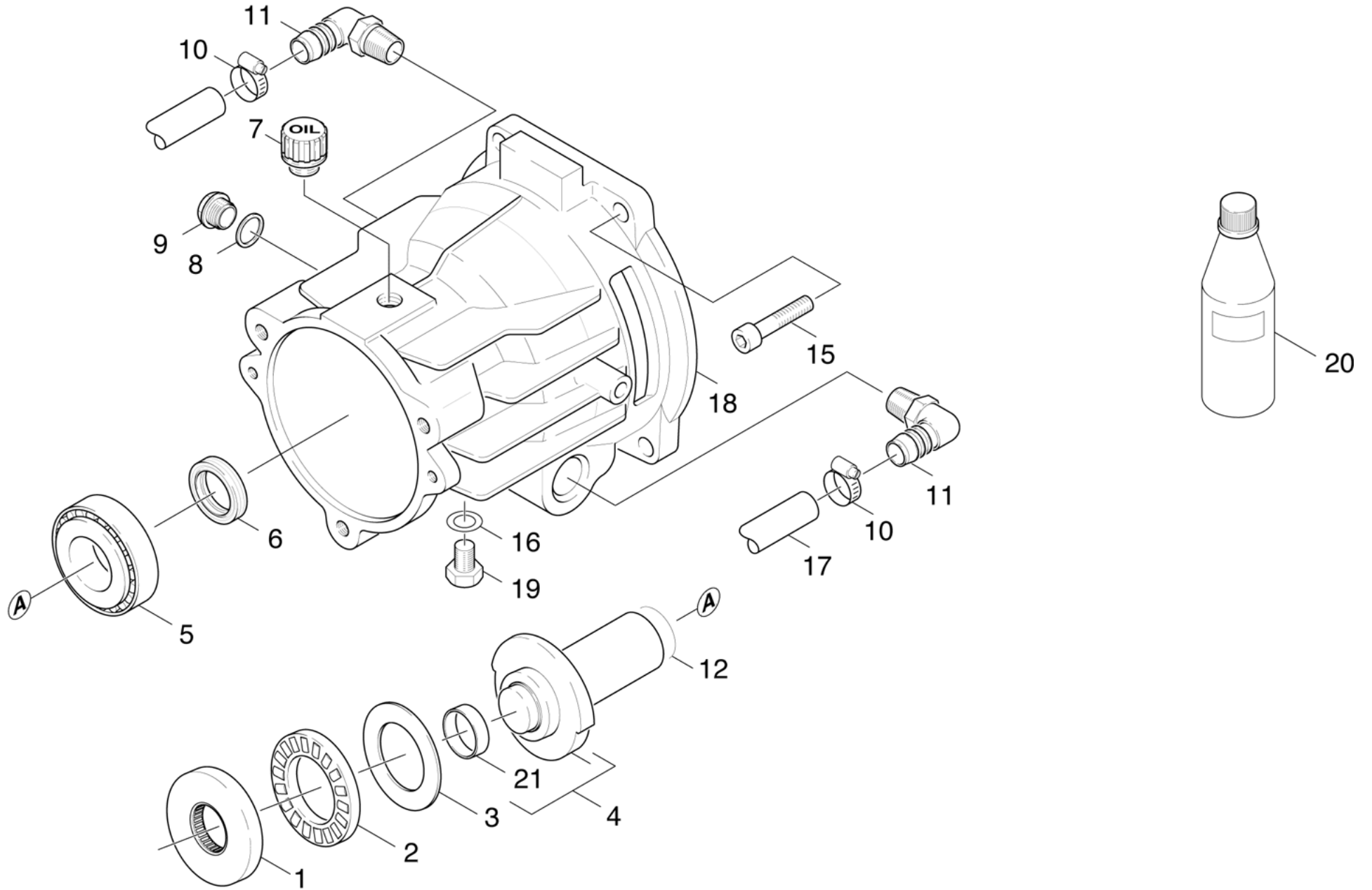
30 Motor

POS	Description	Quantity	Unit
31	Individual parts	1.000	ST
32	Transmission	1.000	ST



31 Individual parts

POS	Article no.	Description	Quantity	Unit	Foot note text
0	7.777-999.0	Stockpiling discontinued	1.000	ST	
1	6.491-251.0	Cap of a tank	1.000	ST	
2	6.491-289.0	Wing nut	1.000	ST	
3	6.491-290.0	Cover air filter	1.000	ST	
4	6.491-291.0	Nut -VANGUARD V-TWIN	1.000	ST	
5	6.491-292.0	Cover plate -VANGUARD V-TWIN	1.000	ST	
6	6.491-213.0	Air filter insert	1.000	ST	
7	6.491-293.0	Prefilter -VANGUARD V-TWIN	1.000	ST	
8	7.777-999.0	Stockpiling discontinued	1.000	ST	
9	6.491-294.0	Starter rope	1.000	ST	
10	6.491-296.0	Spark plug connector	1.000	ST	
11	6.491-250.0	Ignition plug	1.000	ST	
12	7.777-999.0	Stockpiling discontinued	1.000	ST	
13	6.491-285.0	Oil filter cartridge	1.000	ST	
14	6.491-176.0	Parallel key 6,3X36	1.000	ST	
15	6.491-295.0	Seal exhaust	2.000	ST	
16	7.777-999.0	Stockpiling discontinued	1.000	ST	
17	7.777-999.0	Stockpiling discontinued	1.000	ST	
18	7.777-999.0	Stockpiling discontinued	1.000	ST	
19	6.491-220.0	Filter gasoline	1.000	ST	
20	6.491-298.0	Screw exhaust	4.000	ST	
21	6.491-299.0	Switch oil pressure	1.000	ST	
22	6.288-050.0	Engine oil 1L	2.000	ST	MOTOR 1,4 L
23	6.491-368.0	Control device	1.000	ST	
24	6.388-278.0	Hose DN10	1.000	M	TO ORDER AS CUT GOODS
25	7.777-999.0	Stockpiling discontinued	1.000	ST	
26	6.491-329.0	Key switch	1.000	ST	
27	6.491-307.0	Ignition key	1.000	ST	

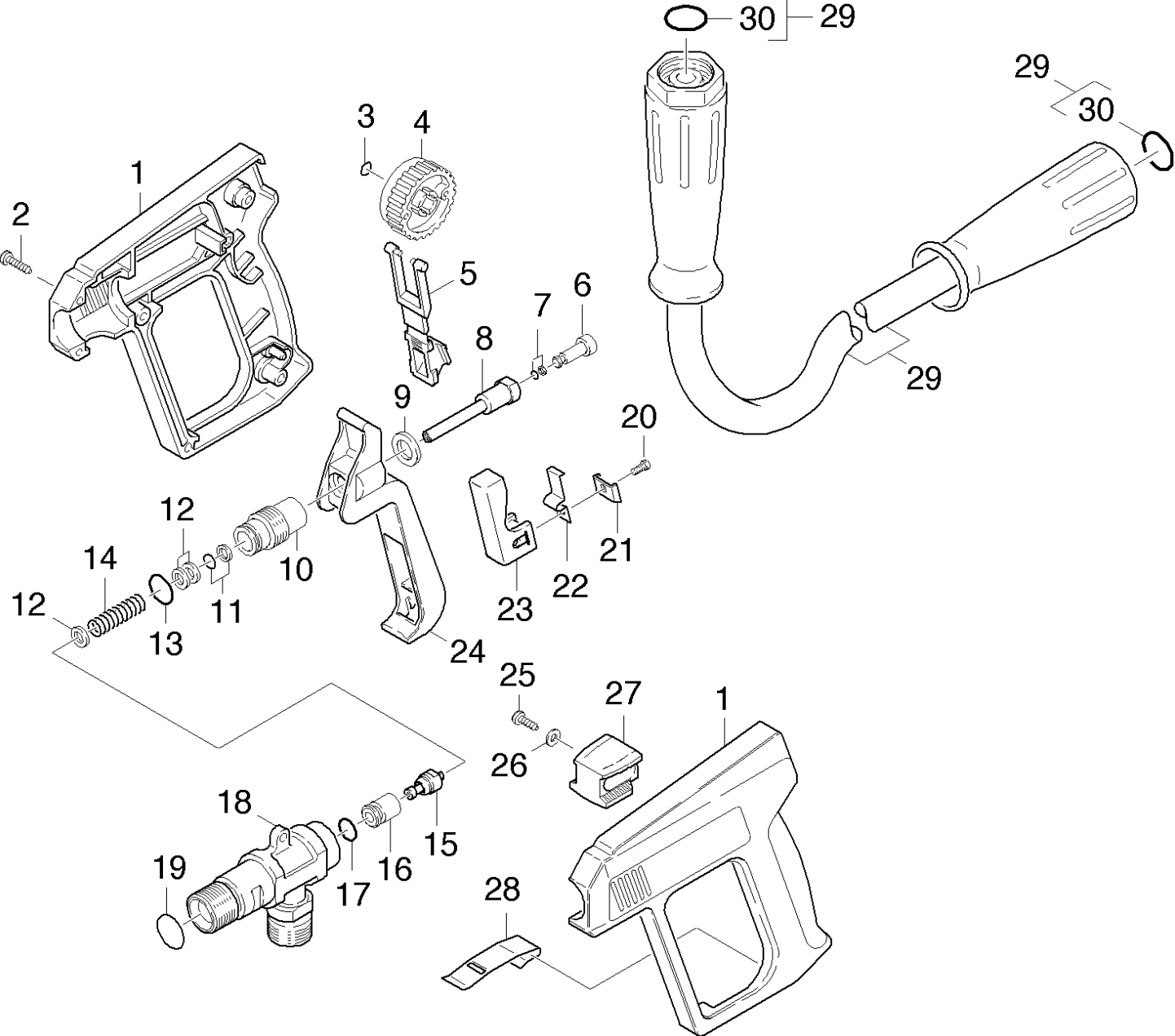


32 Transmission

POS	Article no.	Description	Quantity	Unit	Foot note text
1	6.401-124.0	Thrust washer with cage	1.000	ST	
2	6.401-123.0	Axial roller cage	1.000	ST	
3	6.401-122.0	Rotor disc	1.000	ST	
4	4.120-148.0	Wobble plate complete	1.000	ST	
5	6.401-225.3	Taper roller bearing 41	1.000	ST	
6	7.367-011.0	Radial shaft seal ring A40x52x7-NBR DIN	1.000	ST	
7	6.472-383.0	Breather cap	1.000	ST	
8	6.362-585.0	Seal	1.000	ST	
9	5.411-062.0	Screw plug	1.000	ST	
10	6.388-548.0	Hose clip	2.000	ST	
11	6.388-716.0	Angle bushing R 3/4"	2.000	ST	
12	6.362-612.0	O-Ring seal 24,77x5,33-NBR 70	1.000	ST	
15	6.304-035.0	Screw 3/8"-16UNC	4.000	ST	
16	7.362-005.0	Joint ring A14x18 -Cu DIN 7603	1.000	ST	
17	6.388-162.0	Hose DN19 x 4,5	1.000	M	
18	5.060-406.0	Housing	1.000	ST	
19	7.382-233.0	Screw plug M14x1,5-A-CuZn DIN 7604	1.000	ST	
20	6.288-050.0	Engine oil 1L	1.000	ST	PUMP 0,35 L
21	6.401-121.0	Ring inside	1.000	ST	

40 Accessories

POS	Description	Quantity	Unit	Remark
41	Hand trigger gun	1.000	ST	
42	Hand trigger gun	1.000	ST	
43	Jet pipe	1.000	ST	VERSION 1
44	Jet pipe	1.000	ST	VERSION 2
45	Nozzle	1.000	ST	

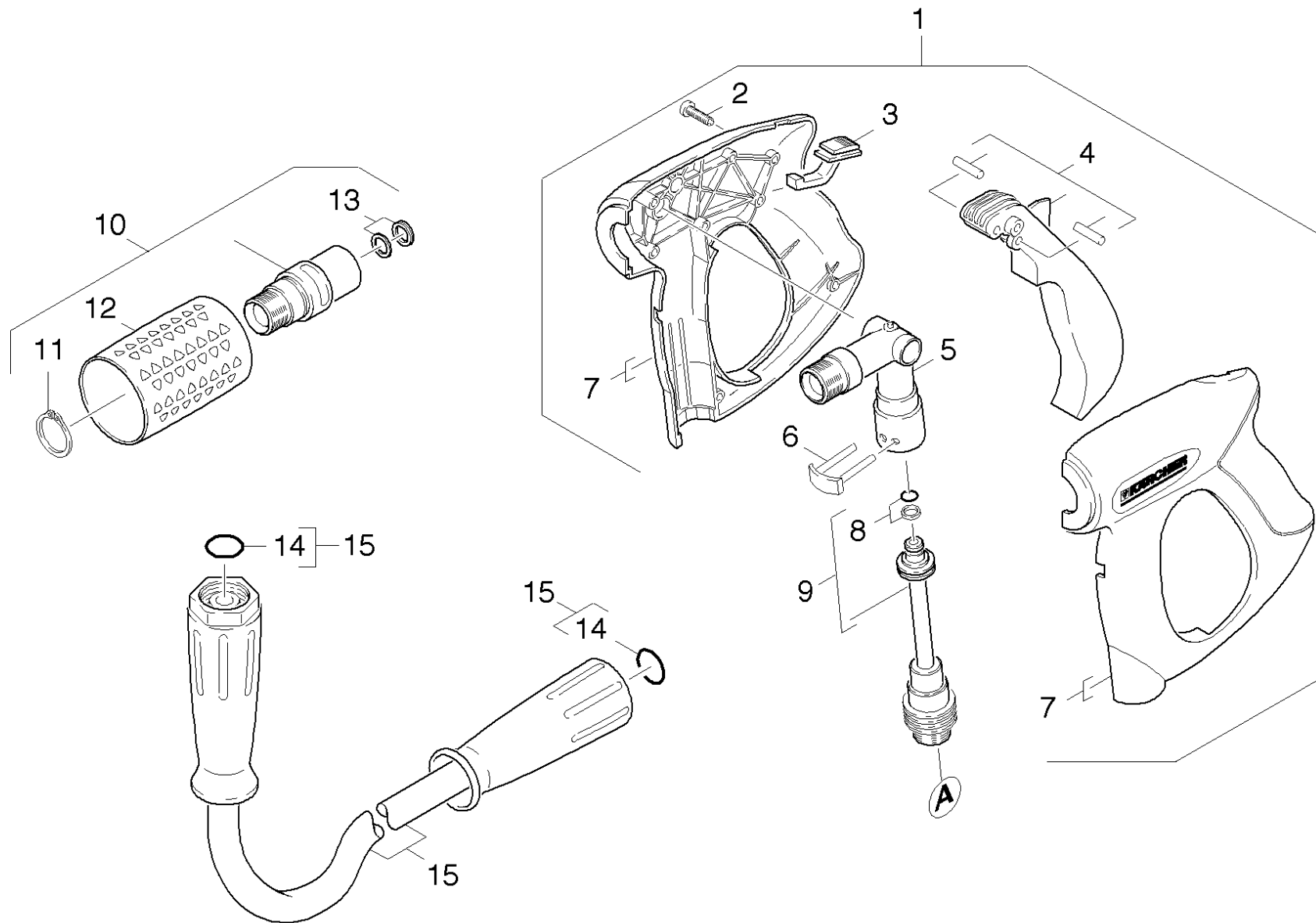


41 Hand trigger gun

POS	Article no.	Description	Quantity	Unit
1	5.321-107.0	Handhold few	1.000	ST
2	7.303-096.0	Screw 4x22 -ST-10.9-R2R (IN6RD)	8.000	ST
3	6.362-176.0	O-Ring seal 6,07x1,78	1.000	ST
4	5.322-006.0	Hand wheel	1.000	ST
5	5.030-283.0	Moulded part	1.000	ST
6	5.553-118.0	Piston	1.000	ST
7	6.362-477.0	O-Ring seal complete 1ST.-R.	1.000	ST
8	5.107-062.0	Bar	1.000	ST
9	5.115-227.0	Washer	1.000	ST
10	5.305-110.0	Shaped screw	1.000	ST
11	6.362-468.0	O-Ring seal complete 1ST.-R.	1.000	ST
12	5.115-260.0	Washer	3.000	ST
13	6.362-478.0	O-Ring seal 12,42X 1,78	1.000	ST
14	5.332-140.0	Helical spring	1.000	ST
15	4.581-013.0	Valve seat	1.000	ST
16	5.110-240.0	Sleeve 800L/H	1.000	ST
17	6.362-479.0	O-Ring seal 7,59X 2,62	1.000	ST
18	5.427-079.0	Manifold	1.000	ST
19	6.362-496.0	O-Ring seal 17,12X 2,62-NBR 70	1.000	ST
20	6.303-058.0	Oval head screw 2,9X 13-ST-VERZ	1.000	ST
21	5.040-480.0	Sheet metal component	1.000	ST
22	5.335-013.0	Spiral spring	1.000	ST
23	5.325-010.0	Lever	1.000	ST
24	5.325-009.0	Lever	1.000	ST
25	6.303-025.0	Oval head screw 4,2x16-St-vz	1.000	ST
26	7.312-001.0	Washer 4 -200HV-A3E ISO 7089	1.000	ST
27	5.030-321.0	Moulded part	1.000	ST
28	5.040-479.0	Sheet metal component	1.000	ST
29	7.777-999.0	Stockpiling discontinued	1.000	ST
30	6.362-524.0	O-Ring seal 17,0 X 1,5	1.000	ST
100	2.880-369.0	Spare part set 4.775-041	1.000	ST

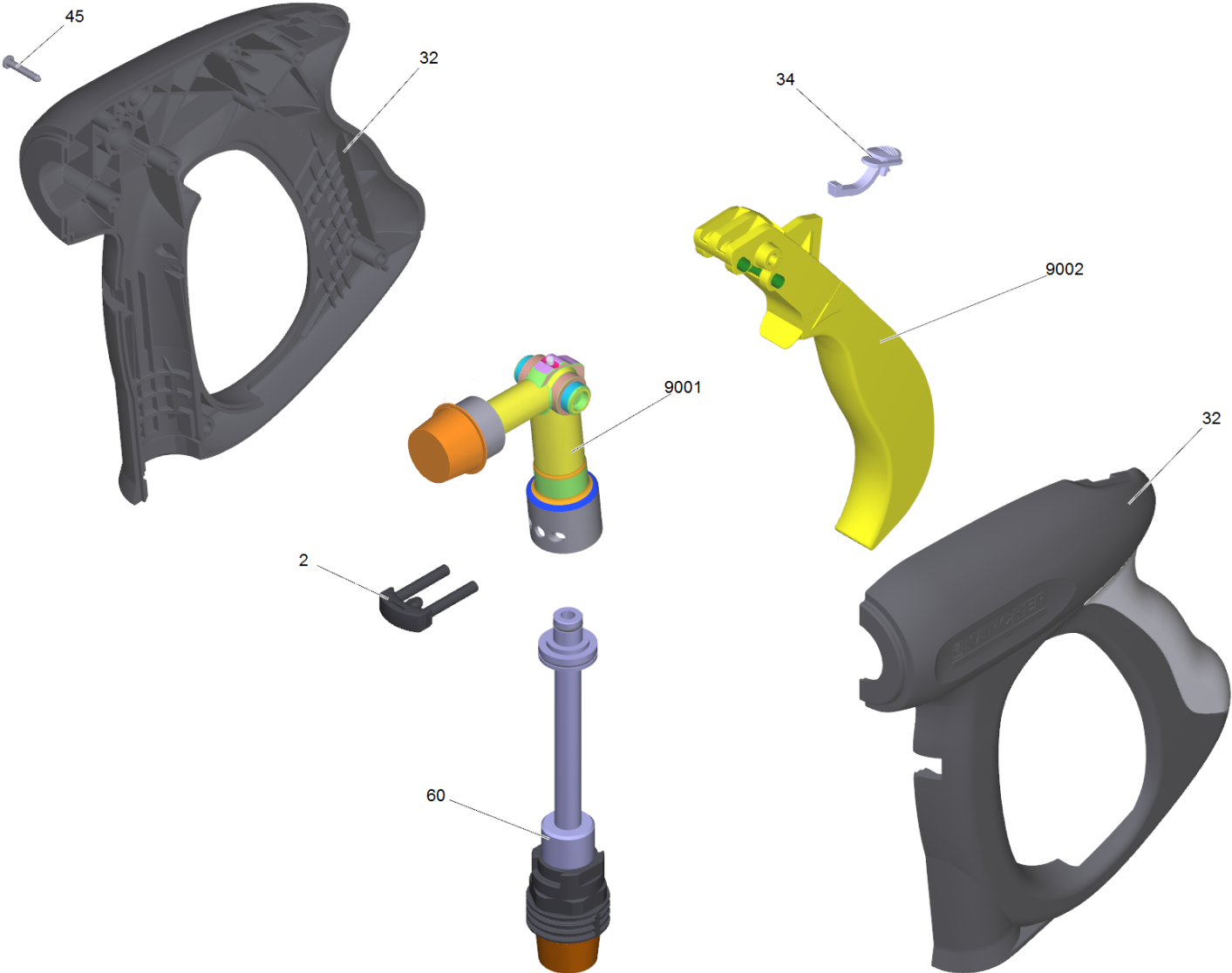
100 Spare part set 4.775-041 (2.880-369.0)

POS	Article no.	Description	Quantity	Unit
10	4.581-013.0	Valve seat	1.000	ST
20	5.110-240.0	Sleeve 800L/H	1.000	ST
30	5.332-140.0	Helical spring	1.000	ST
40	6.303-024.0	Oval head screw 4,2x22-ST-VERZ	8.000	ST
50	6.362-176.0	O-Ring seal 6,07x1,78	1.000	ST
60	6.362-468.0	O-Ring seal complete 1ST.-R.	1.000	ST
70	6.362-477.0	O-Ring seal complete 1ST.-R.	1.000	ST
80	6.362-478.0	O-Ring seal 12,42X 1,78	1.000	ST
90	6.362-479.0	O-Ring seal 7,59X 2,62	1.000	ST
100	6.362-496.0	O-Ring seal 17,12X 2,62-NBR 70	1.000	ST



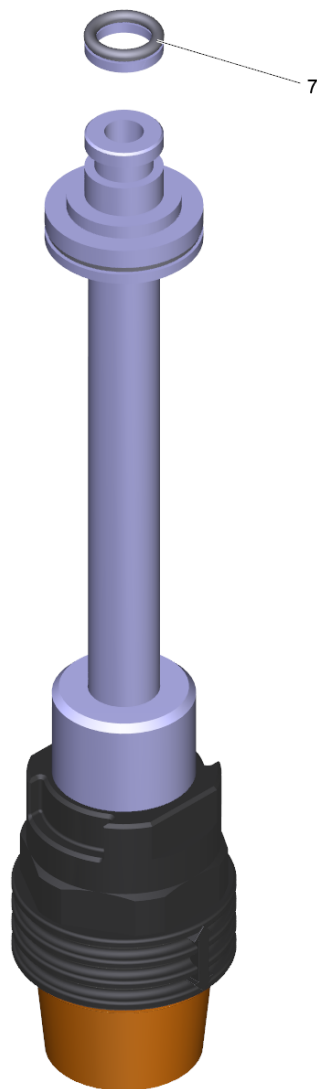
42 Hand trigger gun

POS	Article no.	Description	Quantity	Unit
1	4.775-466.0	Hand trigger gun	1.000	ST
2	7.303-096.0	Screw 4x22 -ST-10.9-R2R (IN6RD)	7.000	ST
3	5.481-331.0	Slider	1.000	ST
4	4.481-209.0	Lever complete	1.000	ST
5	4.427-215.0	Manifold complete only for replacement	1.000	ST
6	4.037-013.0	Hook	1.000	ST
7	5.321-669.3	Handhold few	2.000	ST
8	4.363-691.0	O-Ring seal kpl. -nur fuer Ersatz-	1.000	ST
9	4.421-739.3	Adapter pipelines AVS-M22x1,5	1.000	ST
10	4.775-470.0	Rotary controller 416L	1.000	ST
11	7.343-008.0	Locking ring 25x1,2-St-vz DIN 471	1.000	ST
12	5.321-668.0	Handle	1.000	ST
13	4.363-695.0	Grooved ring only for replacement	1.000	ST
14	2.880-990.0	Spare part set O-Ring 5x -Kaercher	1.000	ST
15	7.777-999.0	Stockpiling discontinued	1.000	ST



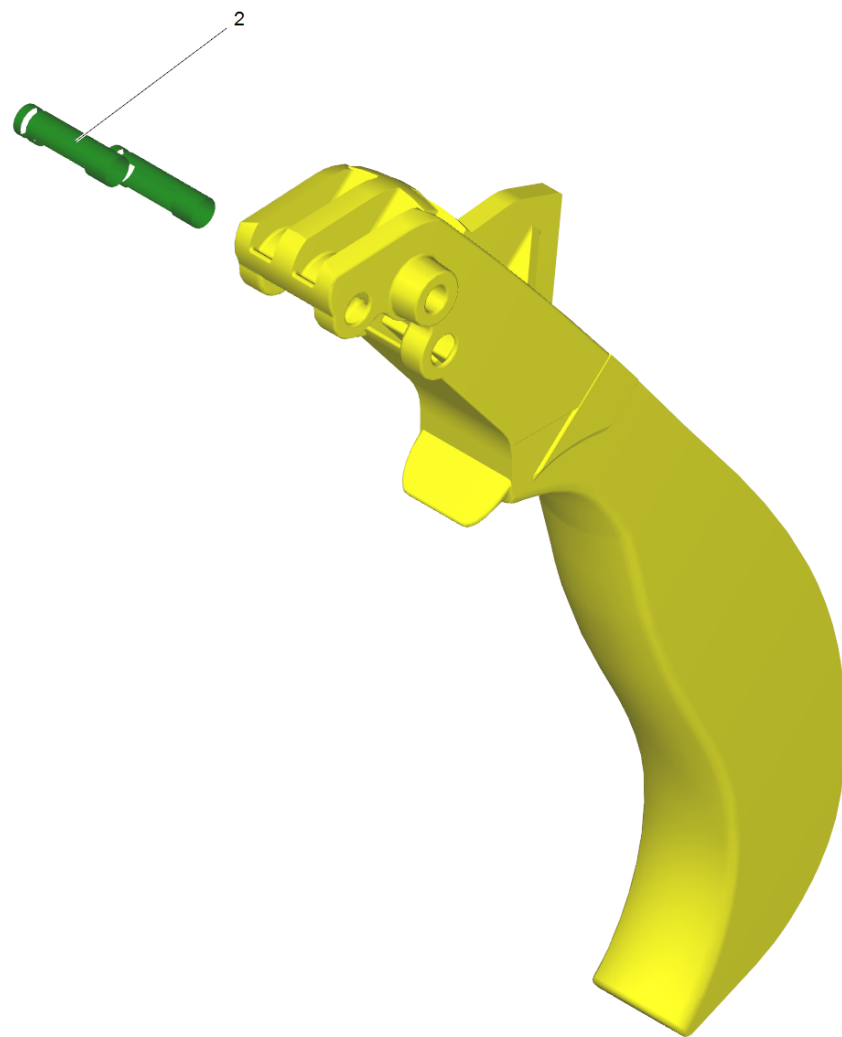
1 Hand trigger gun (4.775-466.0)

POS	Article no.	Description	Quantity	Unit
2	4.037-013.0	Hook	1.000	ST
32	5.321-669.3	Handhold few	1.000	ST
34	5.481-331.0	Slider	1.000	ST
45	7.303-096.0	Screw 4x22 -ST-10.9-R2R (IN6RD)	7.000	ST
60	4.421-739.3	Adapter pipelines AVS-M22x1,5	1.000	ST
9001	4.427-215.0	Manifold complete only for replacement	1.000	ST
9002	4.481-209.0	Lever complete	1.000	ST



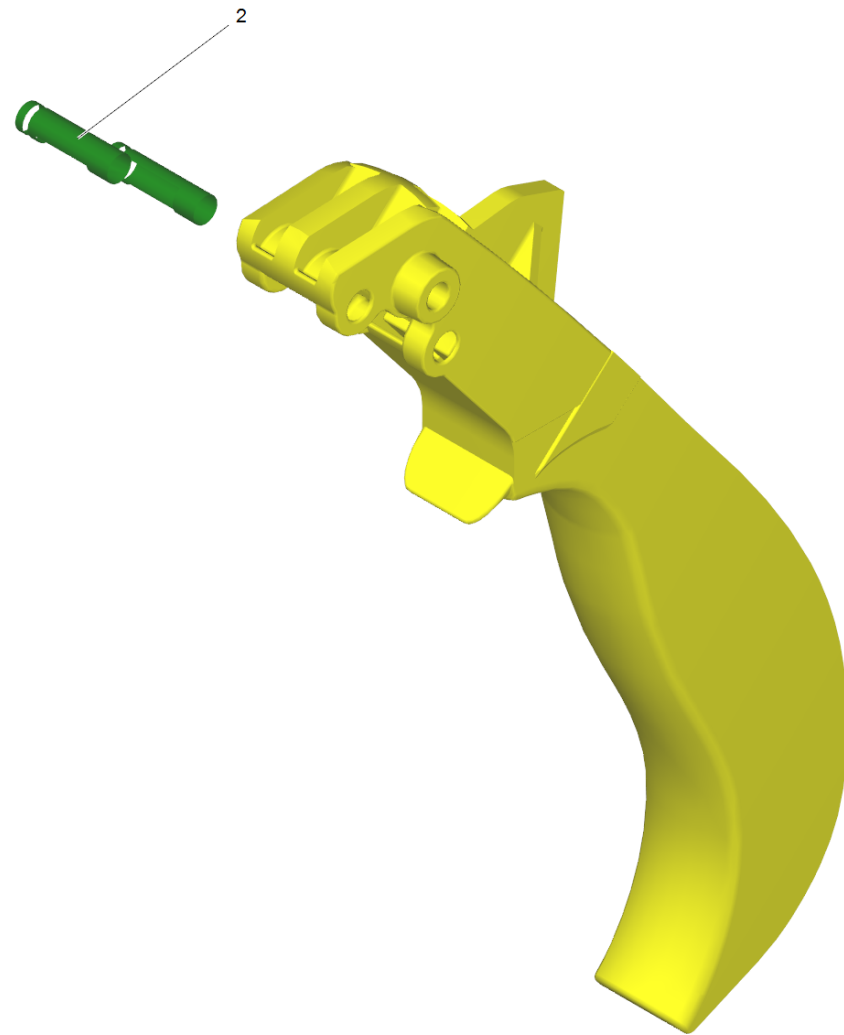
60 Adapter pipelines AVS-M22x1,5 (4.421-739.3)

POS	Article no.	Description	Quantity	Unit
7	4.363-691.0	O-Ring seal kpl. -nur fuer Ersatz-	1.000	ST



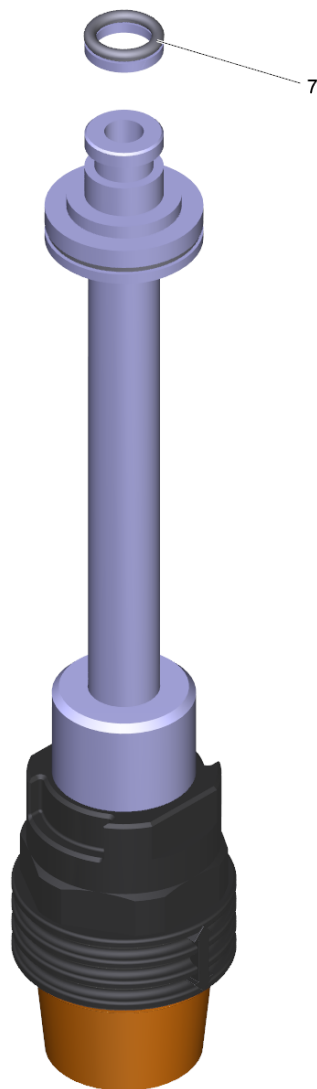
9002 Lever complete (4.481-209.0)

POS	Article no.	Description	Quantity	Unit
2	5.314-119.0	Pin	2.000	ST



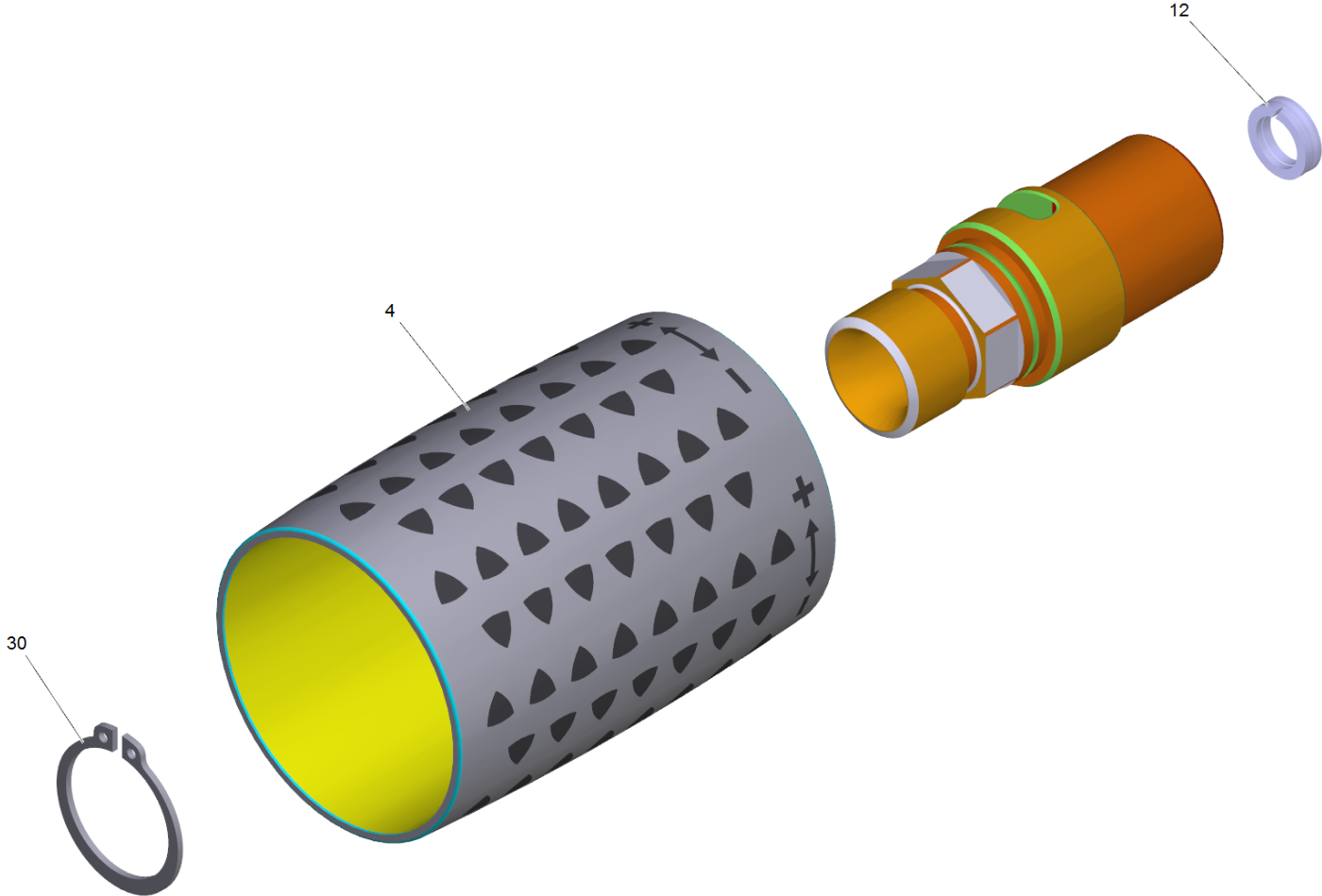
4 Lever complete (4.481-209.0)

POS	Article no.	Description	Quantity	Unit
2	5.314-119.0	Pin	2.000	ST



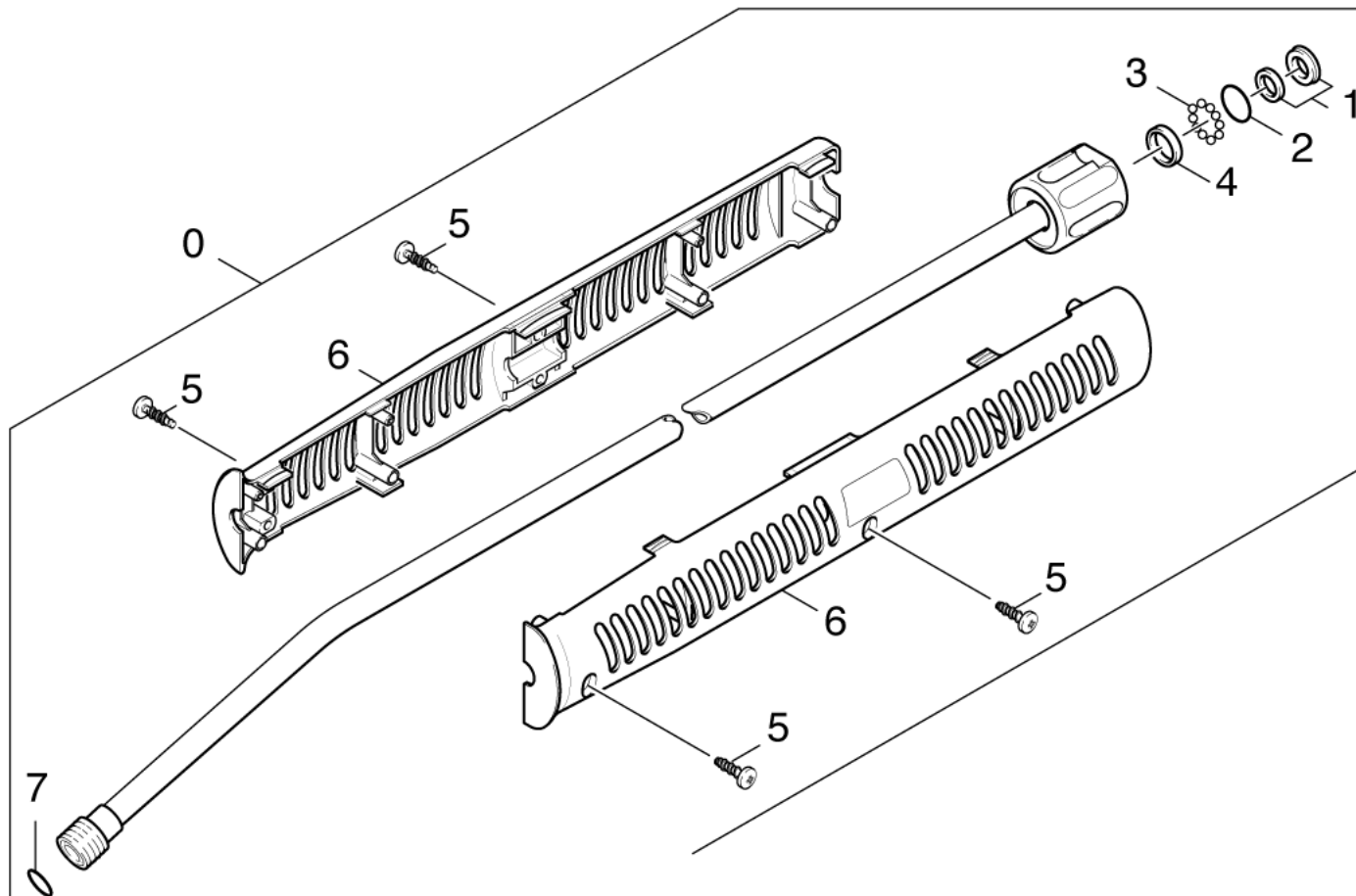
9 Adapter pipelines AVS-M22x1,5 (4.421-739.3)

POS	Article no.	Description	Quantity	Unit
7	4.363-691.0	O-Ring seal kpl. -nur fuer Ersatz-	1.000	ST



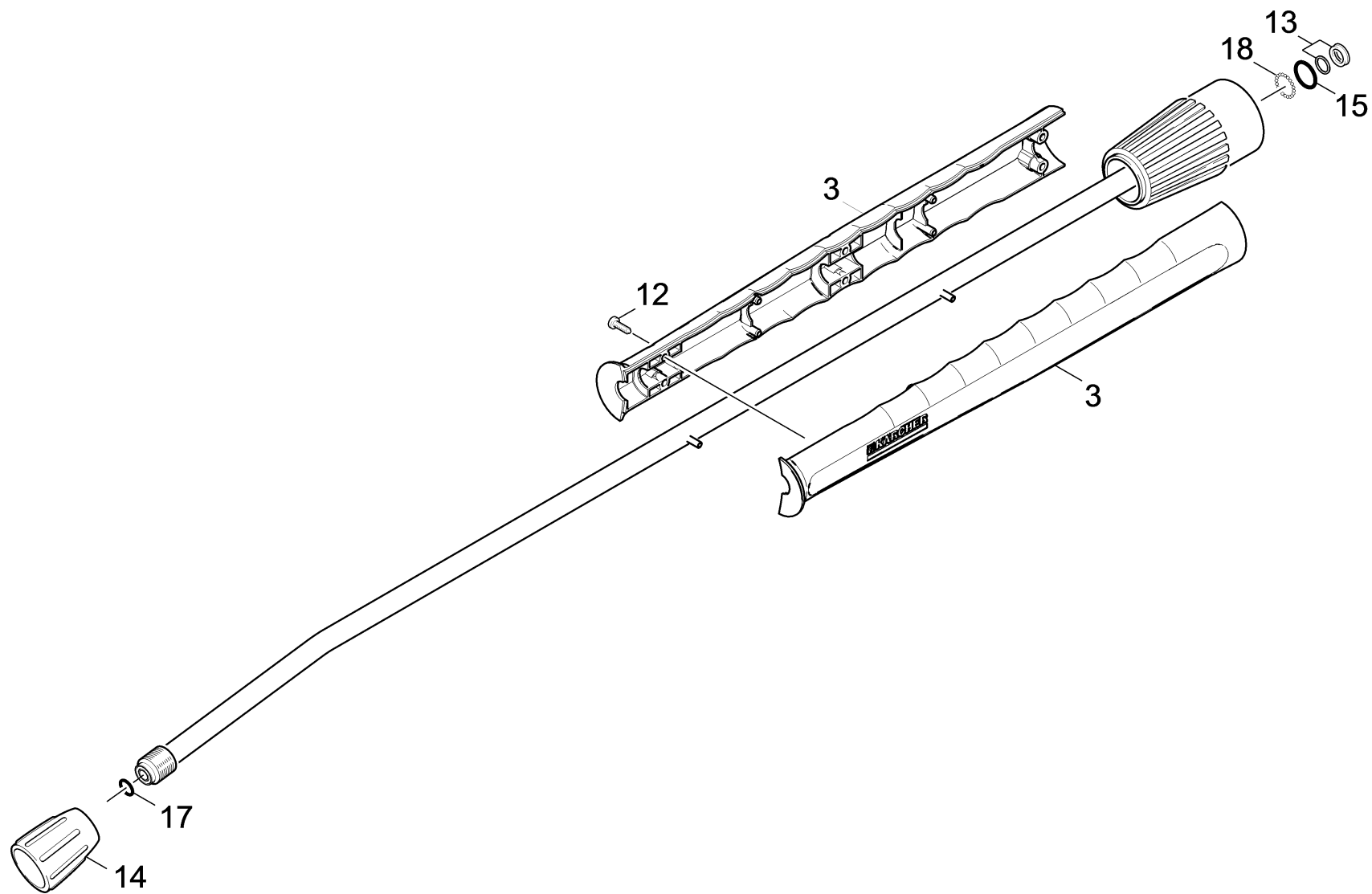
10 Rotary controller 416L (4.775-470.0)

POS	Article no.	Description	Quantity	Unit
4	5.321-668.0	Handle	1.000	ST
12	4.363-695.0	Grooved ring only for replacement	1.000	ST
30	7.343-069.0	Locking ring 25x1,2-1.4122 DIN 471	1.000	ST



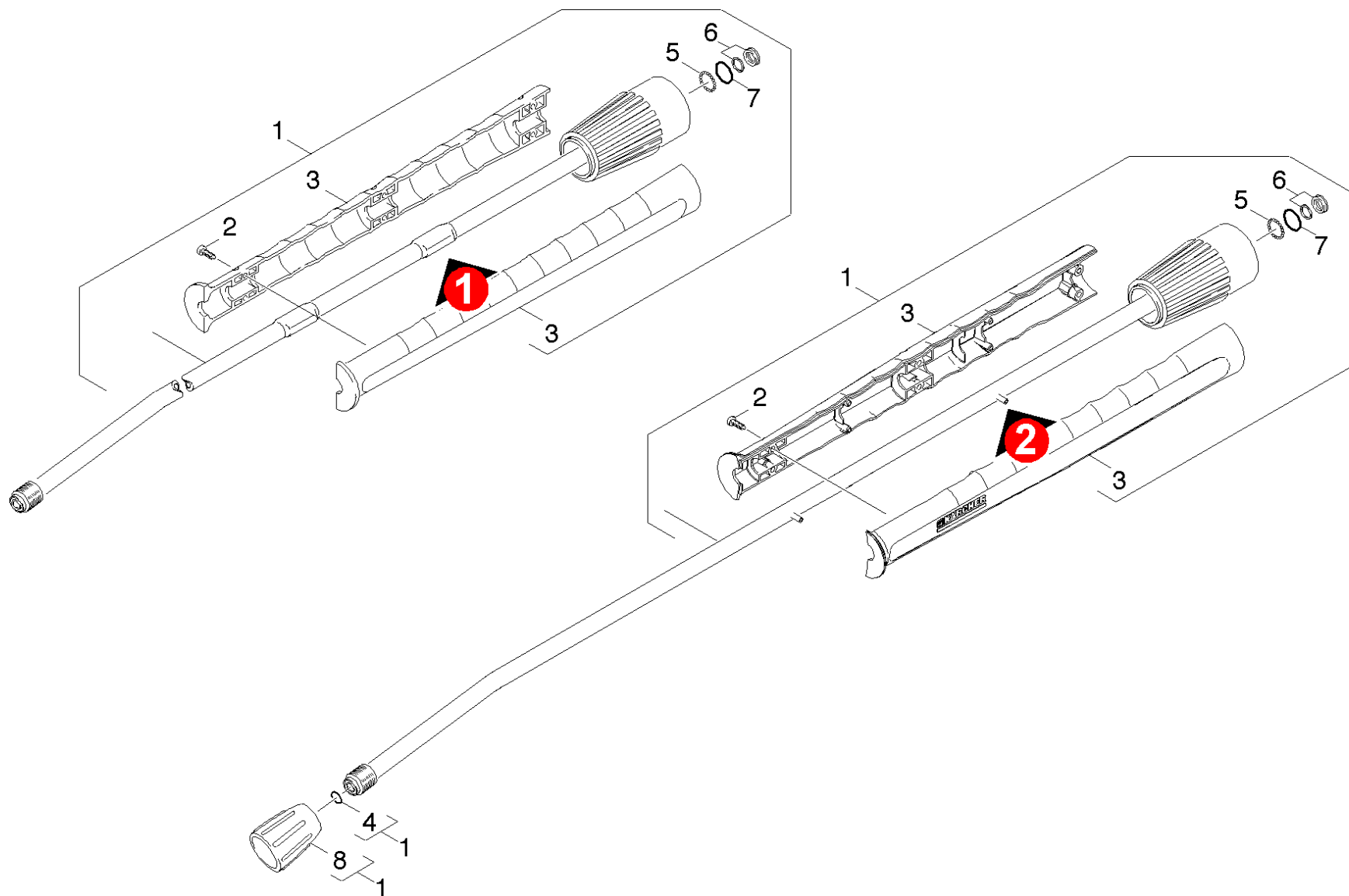
43 Jet pipe

POS	Article no.	Description	Quantity	Unit
0	4.760-660.0	Jet pipe packaged only for replacement	1.000	ST
1	4.363-692.0	Grooved ring kpl. -nur fuer Ersatz-	1.000	ST
2	6.362-524.0	O-Ring seal 17,0 X 1,5	1.000	ST
3	7.401-921.0	Sphere 4 G20 -1.4034 DIN 5401	12.000	ST
4	6.362-529.0	Joint ring 12x1,5	1.000	ST
5	6.303-025.0	Oval head screw 4,2x16-St-vz	2.000	ST
6	5.321-150.0	HANDLE (PART NO=ONE HALF)	2.000	ST
7	2.880-990.0	Spare part set O-Ring 5x -Kaercher	1.000	ST



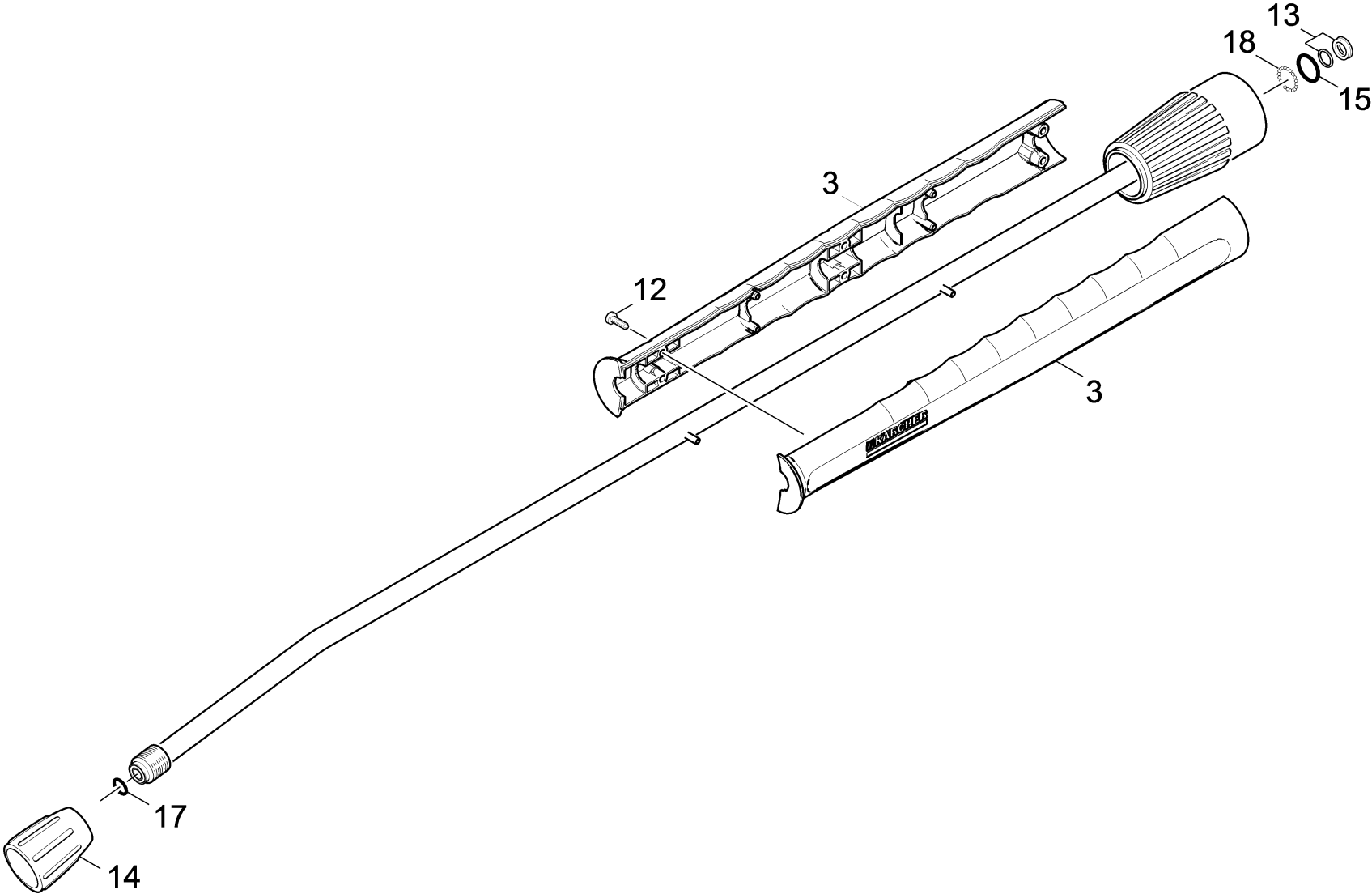
Jet pipe packaged only for replacement (4.760-660.0)

POS	Article no.	Description	Quantity	Unit
3	5.321-855.0	Handhold few jet pipe with welding bolt	1.000	ST
12	7.303-129.0	Screw 4x16 -10.9-R2R (K-In6Rd)	6.000	ST
13	4.363-692.0	Grooved ring kpl. -nur fuer Ersatz-	1.000	ST
14	5.401-210.0	Screw connector part	1.000	ST
15	6.362-524.0	O-Ring seal 17,0 X 1,5	1.000	ST
17	2.880-990.0	Spare part set O-Ring 5x -Kaercher	1.000	ST
18	7.401-915.0	Sphere 2,5 G20 -1.4034 DIN 5401	1.000	ST



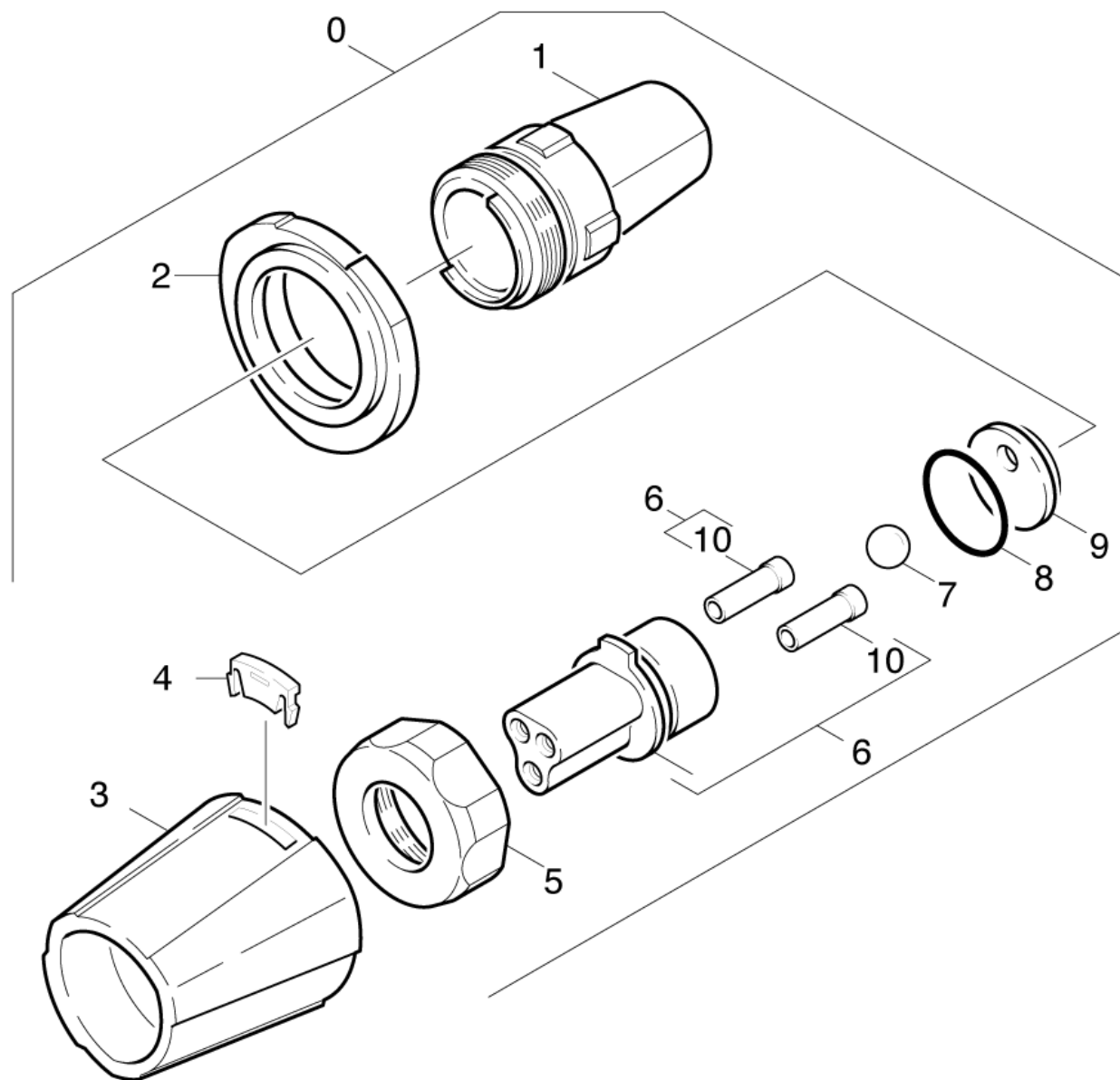
44 Jet pipe

POS	Article no.	Description	Quantity	Unit	Remark
1	4.760-660.0	Jet pipe packaged only for replacement	1.000	ST	
2	7.303-129.0	Screw 4x16 -10.9-R2R (K-In6Rd)	6.000	ST	
3	5.321-855.0	Handhold few jet pipe with welding bolt	1.000	ST	VERSION 2
3	5.321-691.0	Handhold few jet pipe	1.000	ST	VERSION 1
4	2.880-990.0	Spare part set O-Ring 5x -Kaercher	1.000	ST	
5	7.401-915.0	Sphere 2,5 G20 -1.4034 DIN 5401	20.000	ST	
6	4.363-692.0	Grooved ring kpl. -nur fuer Ersatz-	1.000	ST	
7	6.362-524.0	O-Ring seal 17,0 X 1,5	1.000	ST	
8	5.401-129.0	Screw connector part	1.000	ST	



1 Jet pipe packaged only for replacement (4.760-660.0)

POS	Article no.	Description	Quantity	Unit
3	5.321-855.0	Handhold few jet pipe with welding bolt	1.000	ST
12	7.303-129.0	Screw 4x16 -10.9-R2R (K-In6Rd)	6.000	ST
13	4.363-692.0	Grooved ring kpl. -nur fuer Ersatz-	1.000	ST
14	5.401-210.0	Screw connector part	1.000	ST
15	6.362-524.0	O-Ring seal 17,0 X 1,5	1.000	ST
17	2.880-990.0	Spare part set O-Ring 5x -Kaercher	1.000	ST
18	7.401-915.0	Sphere 2,5 G20 -1.4034 DIN 5401	1.000	ST



45 Nozzle

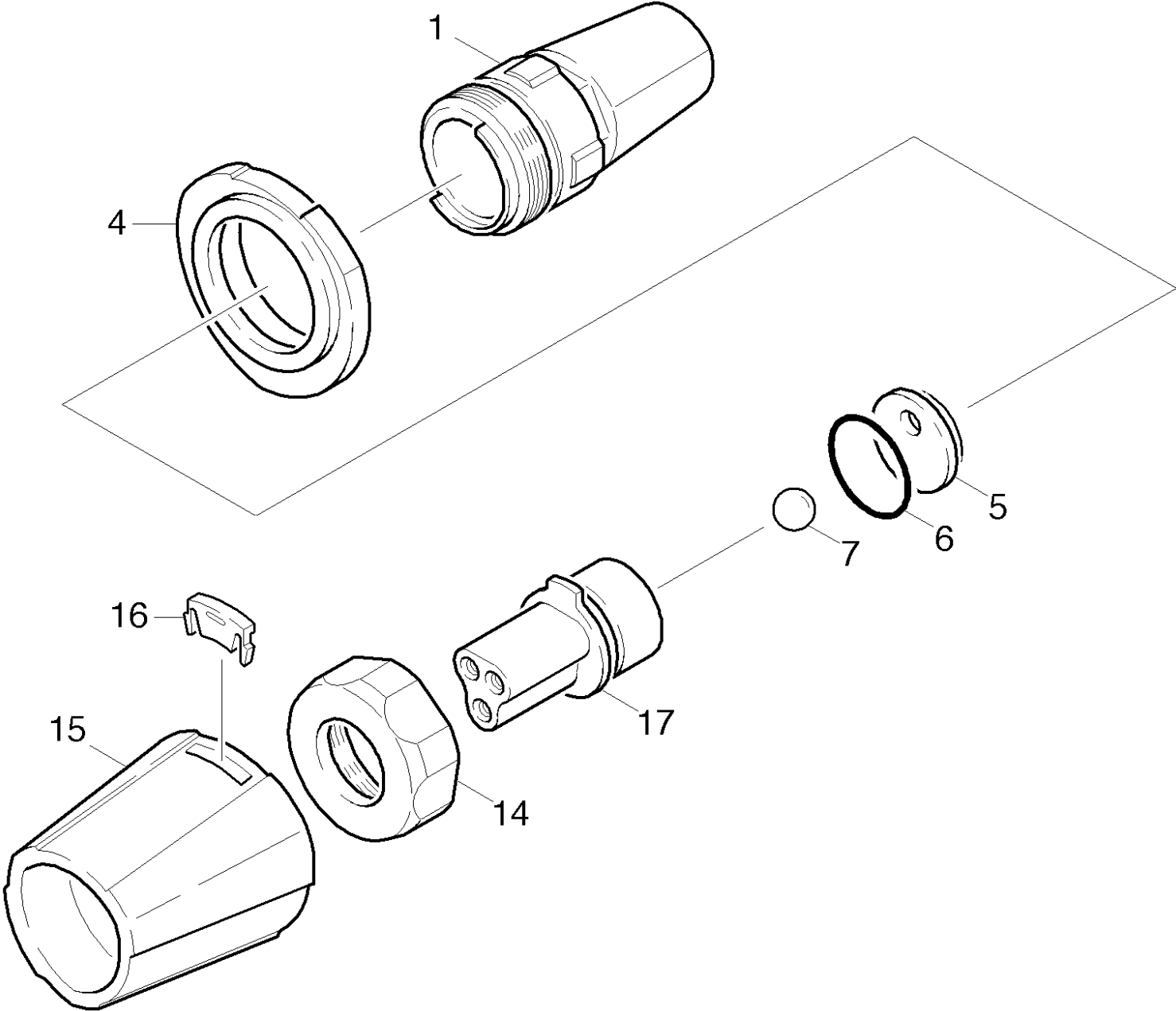
POS	Article no.	Description	Quantity	Unit
0	4.767-067.0	Triple jet nozzle 06	1.000	ST
1	4.060-395.0	Housing complete only for replacement	1.000	ST
2	5.394-401.0	Protection part	1.000	ST
3	5.394-402.0	Protection part	1.000	ST
4	5.031-709.0	Moulded part	1.000	ST
5	5.311-192.0	Union nut	1.000	ST
6	7.777-999.0	Stockpiling discontinued	1.000	ST
7	7.401-917.0	Sphere 10,0 G100-1.4301 DIN 5401	1.000	ST
8	6.363-612.0	O-Ring seal 22 x 2 -NBR90	1.000	ST
9	5.031-370.0	Moulded part	1.000	ST
10	5.031-597.0	Rectifier	2.000	ST

Triple jet nozzle 06 (4.767-067.0)

POS	Article no.	Description	Quantity	Unit
2	5.970-000.0	Spare parts list triple jet nozzle	1.000	ST
Item text2: 47670670				

2 Spare parts list triple jet nozzle (5.970-000.0)

POS	Description	Quantity	Unit
10	Triple jet nozzle	1.000	ST

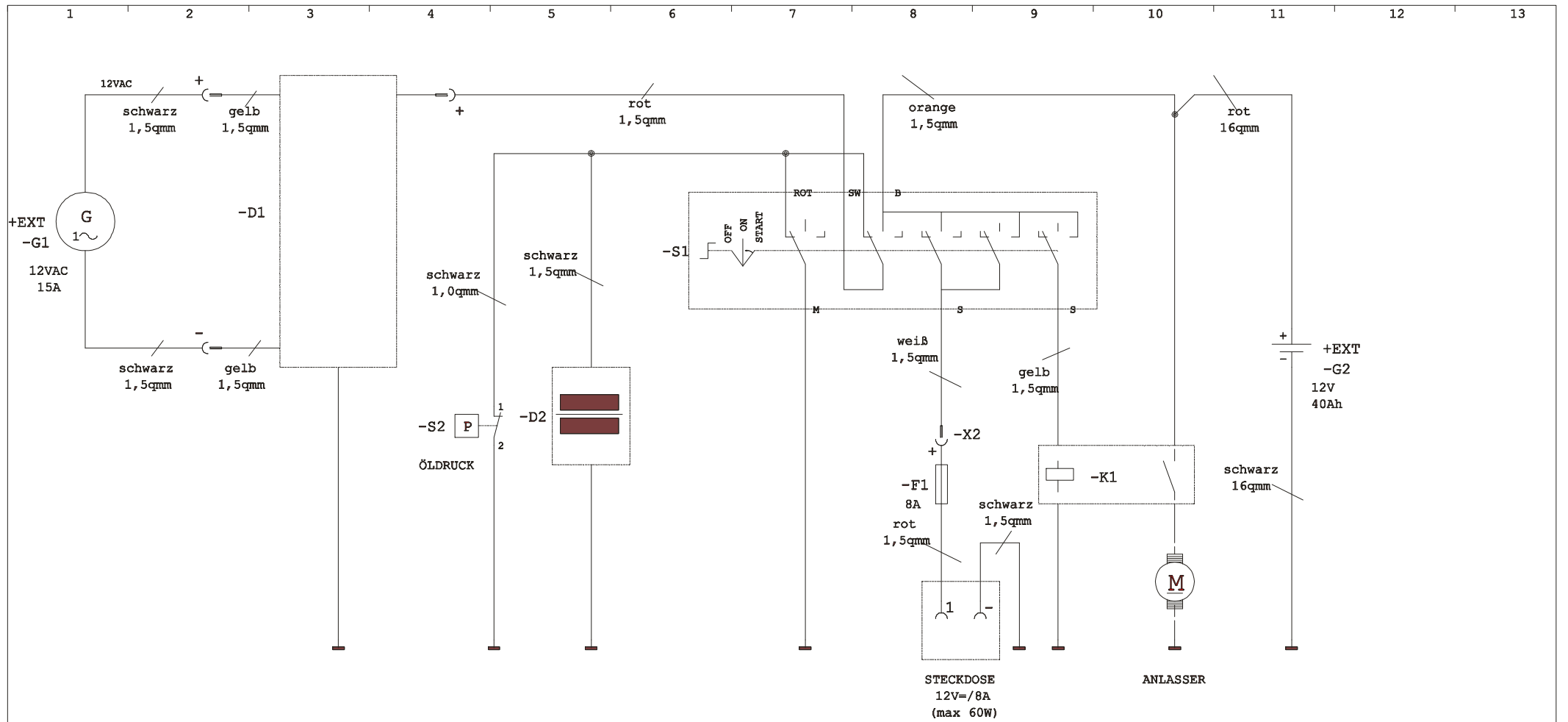


10 Triple jet nozzle

POS	Article no.	Description	Quantity	Unit	Remark
1	4.060-395.0	Housing complete only for replacement	1.000	ST	
4	5.394-401.0	Protection part	1.000	ST	
5	5.031-370.0	Moulded part	1.000	ST	
6	6.363-612.0	O-Ring seal 22 x 2 -NBR90	1.000	ST	
7	7.401-917.0	Sphere 10,0 G100-1.4301 DIN 5401	1.000	ST	
14	5.311-192.0	Union nut	1.000	ST	
15	5.394-402.0	Protection part	1.000	ST	
16	5.031-709.0	Moulded part	1.000	ST	
17	4.764-173.0	Nozzle holder 0100	1.000	ST	4.767-106.0
17	7.777-999.0	Stockpiling discontinued	1.000	ST	4.767-067.0/-069.0
17	4.764-169.0	Nozzle holder 09	1.000	ST	4.767-075.0
17	4.764-161.0	Nozzle holder 08	1.000	ST	4.767-068.0
17	4.764-158.0	Nozzle holder 05	1.000	ST	4.767-065.0
17	4.764-159.0	Nozzle holder 055	1.000	ST	4.767-066.0
17	4.764-157.0	Nozzle holder 047	1.000	ST	4.767-064.0

17 Nozzle holder 055 (4.764-159.0)

POS	Article no.	Description	Quantity	Unit
1	5.031-597.0	Rectifier	2.000	ST
	Item text2: 47641590			
7	6.362-661.0	O-Ring seal 5,0 X 1,0-NBR 80	3.000	ST
	Item text2: 47641590			
8	6.363-612.0	O-Ring seal 22 x 2 -NBR90	1.000	ST
	Item text2: 47641590			
9	6.590-002.0	Bag PE 150x230 mm	1.000	ST
	Item text2: 47641590			



- D1 LADEREGLER / CONTROLLER / REGULATEUR
- D2 ZÜNDSPULE/IGNITION COIL/ BOBINE D`ALLVMAGE
- F1 SICHERUNG (8A) / FUSE/ FUSIBLE DE SECURITE
- G1 WECHSELSTROM-GENERATOR/ AC-GENERATOR/ GENERATEUR
- G2 BATTERIE / BATTERY / BATTERIE
- K1 STARTERRELAIS /RELAIS/RELAIS
- S1 SCHLÜSSELSCHALTER/KEY SWITCH/BOUTON ACLE
- S2 ÖLDRUCKSCHALTER/OIL PRESSURE SWITCH/ INTERROPTION A PRESSION D`HUILLE

— Lieferumfang-Motor
 Masse/EARTH STRAP/RUBAN

						ANLAGE =		KÄRCHER WINNENDEN	BENENNUNG STROMLAUFPLAN		ZEICHNUNGS-NR.	
						ORT + S1			ANLAG.-BEZ. HD-1200BE		0.087-636	
14.06.91						AUFTRAG					BLATT 1	
DATUM	GEZ.	GEPR.	NORM	Ä-IND	ANZ.	ÄND./FR.	ERS.F.	ERS.D.				