

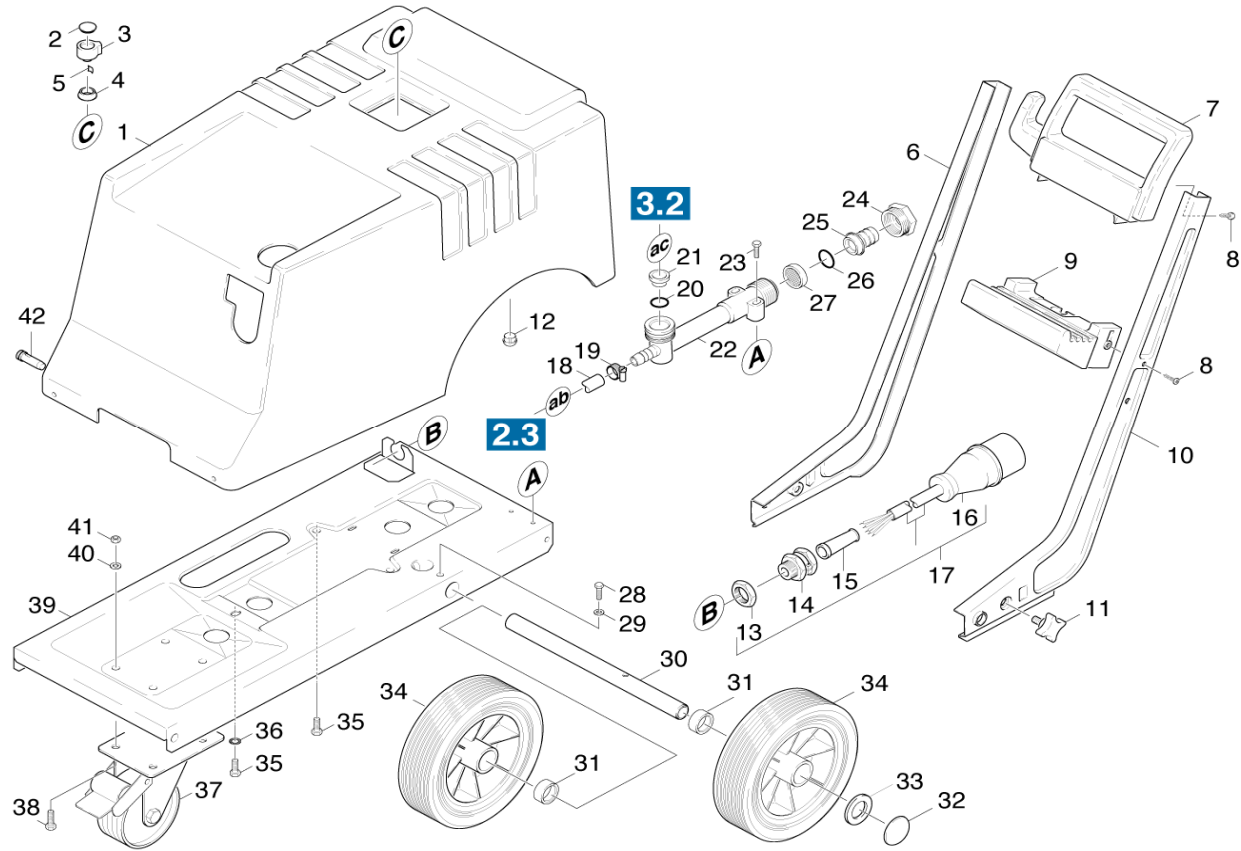
PARTS BREAKDOWN FOR HD1050 (1.720-111.0)

Location	PN	DESCRIPTION	QTY	SERIAL #	
				FROM	TO
PIECE PARTS - parts listing					
1	50662130	Cover	1		
2	51320100	Plug	1		
3	53210970	Handhold	1		
4	53631350	Joint ring	1		
5	63130030	SPRING	1		
6	50520170	SUPPORT RIGHT	1		
7		Stockpiling Discontinued	1		
8	73030780	Sheet metal screw ST4,8X19-ST-A2R (KOMBI	4		
9	50423940	Holder	1		
10	50520160	SUPPORT LEFT	1		
11	63210540	STAR HANDLE	2		
12	63390910	Rubber buffer	2		
13	66414800	Locknut PG13,5	1		
14	66413620	Cable gland PG13,5	1		
15	66413630	Rubber bushing	1		
16	66460300	Plug CEE 16A	1		
17	66411140	CABLE MIT STECKER	1		
17	48201300	CABLE	1		
18	63880070	High pressure hose DN13	1		
19	63885470	HOSE CLIP	1		
20	63625790	O-Ring seal 17,5 X 3,5	1		
21	51103410	Sleeve	1		
22	54271080	MANIFOLD	1		
23	73030660	Screw M6x30 -St-R3R (In6Rd)	2		
24	63862310	UNION NUT 1Z	2		
25	63884020	Hose nozzle 3/4"	2		
26	63621610	O RING	1		
27	64141410	Strainer	1		
28	73030420	Screw M5x25 -St-R2R (In6Rd)	1		
29	73120020	Washer 5-200HV-A3E ISO 7090	1		
30	51050800	AXLE	1		
31	51103430	SLEEVE	2		
32	53920130	Cap	2		
33	63431610	LOCK WASHER	2		
34	55150080	WHEEL	2		
35	73090150	CHEESE HEAD SCREW	3		
36	73121590	Toothed lock washer A8,4-FST-PH DIN 679	1		
37	64351160	Castor	1		
38	73043950	Hexagonal head screw M8x16-8.8-A2E ISO	4		
39	50500290	Base frame	1		
40	73120040	Washer 8 -200HV-A3E ISO 7090	4		
41	73110040	Hexagon nut M8 -8-A3E ISO 4032	4		
42	53162110	Bolt	2		

PARTS BREAKDOWN FOR HD1050 (1.720-111.0)

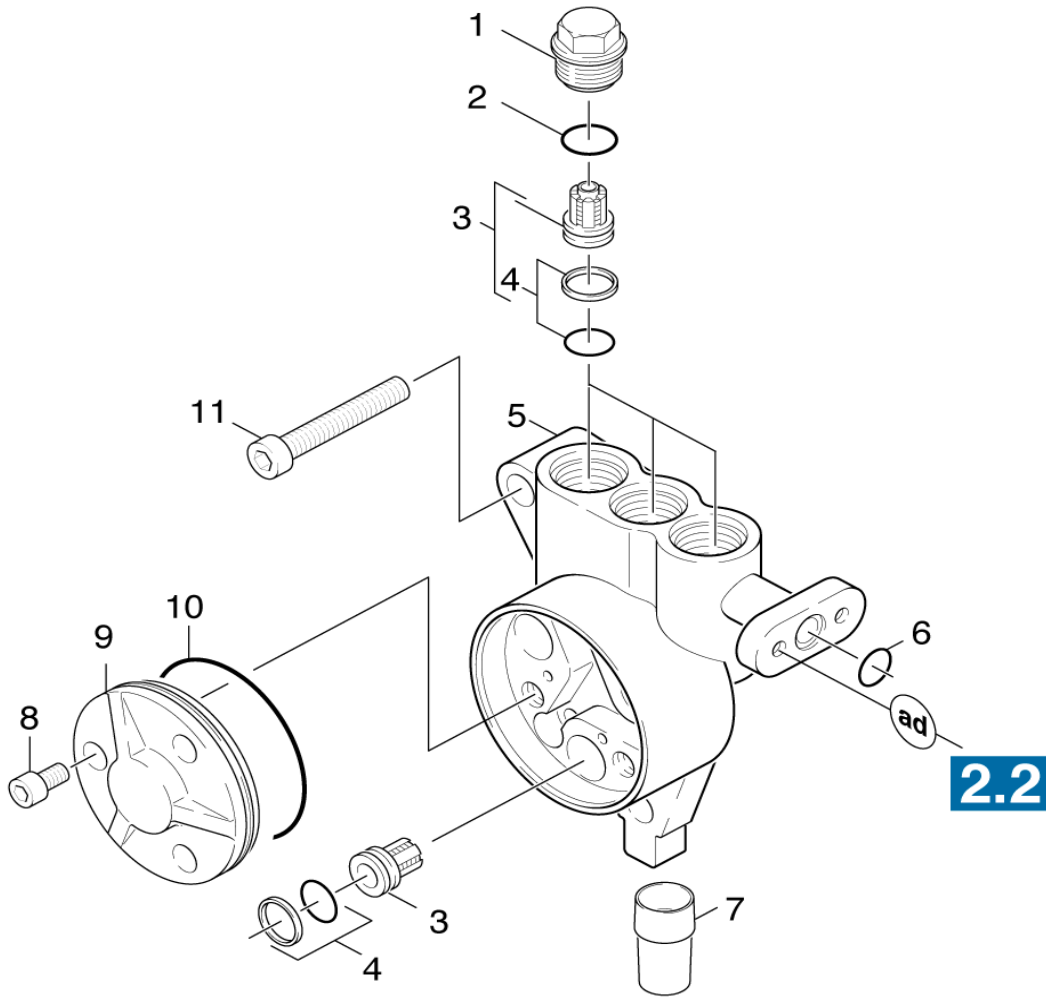
Location	PN	DESCRIPTION	QTY	SERIAL #	
				FROM	TO

PIECE PARTS - diagram



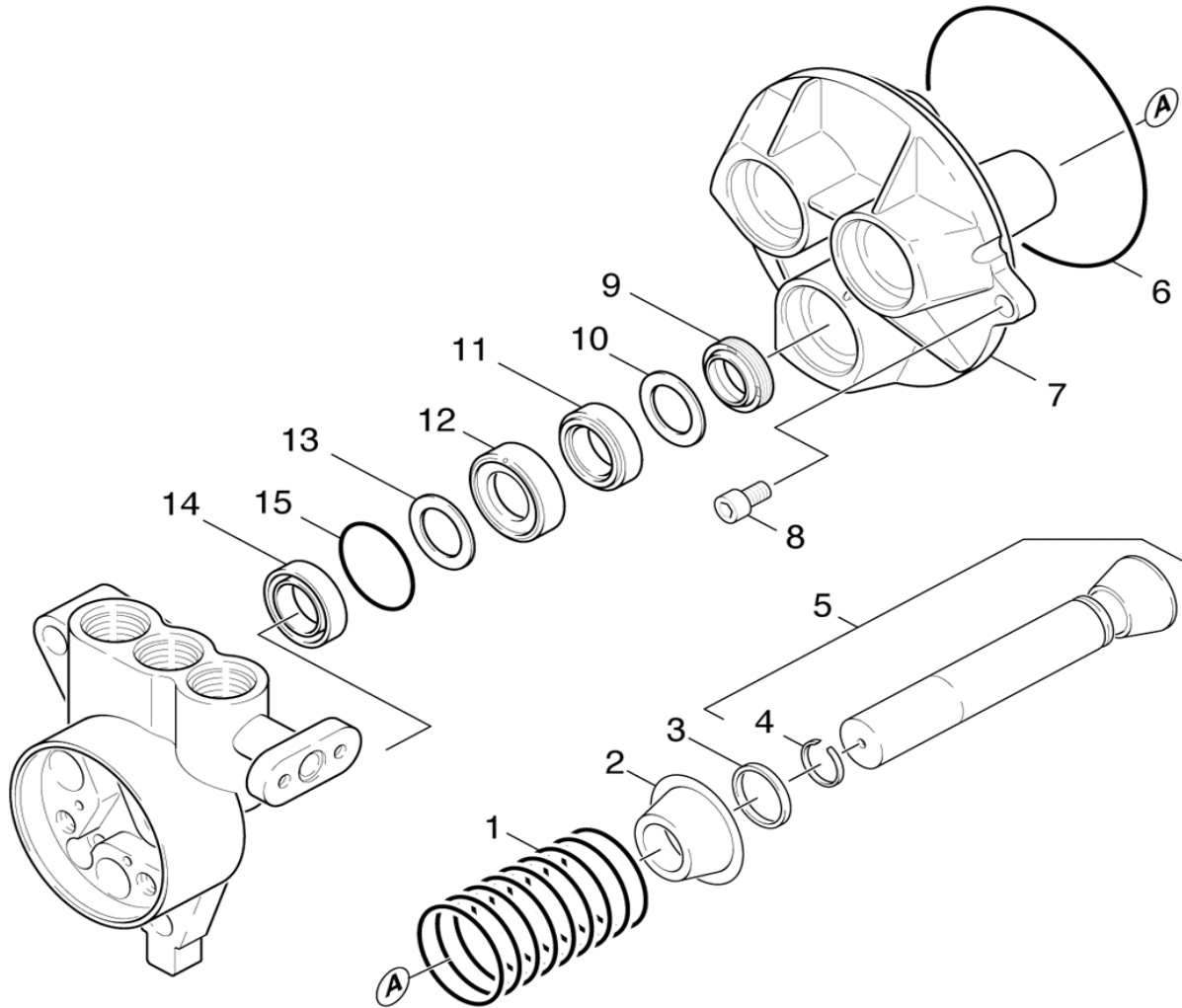
PARTS BREAKDOWN FOR HD1050 (1.720-111.0)

Location	PN	DESCRIPTION	QTY	SERIAL #	
				FROM	TO
PUMP - cylinder head					
1	55830970	VALVE SCREW	3		
2	63624830	O-RING	3		
3	28849090	Valve (3 Stück)	1		
4	63624660	O RING COMP	6		
5	55501180	CYLINDER HEAD	1		
6	63625770	O RING	4		
7	51081010	PIN	1		
8	73060620	Cylinder head screw M10x25 -8.8-A3E DIN	3		
9	50633010	Cover housing	1		
10	63625010	O-RING	1		
11	73060910	Cylinder head screw M12x90- 8.8-A3E ISO	3		



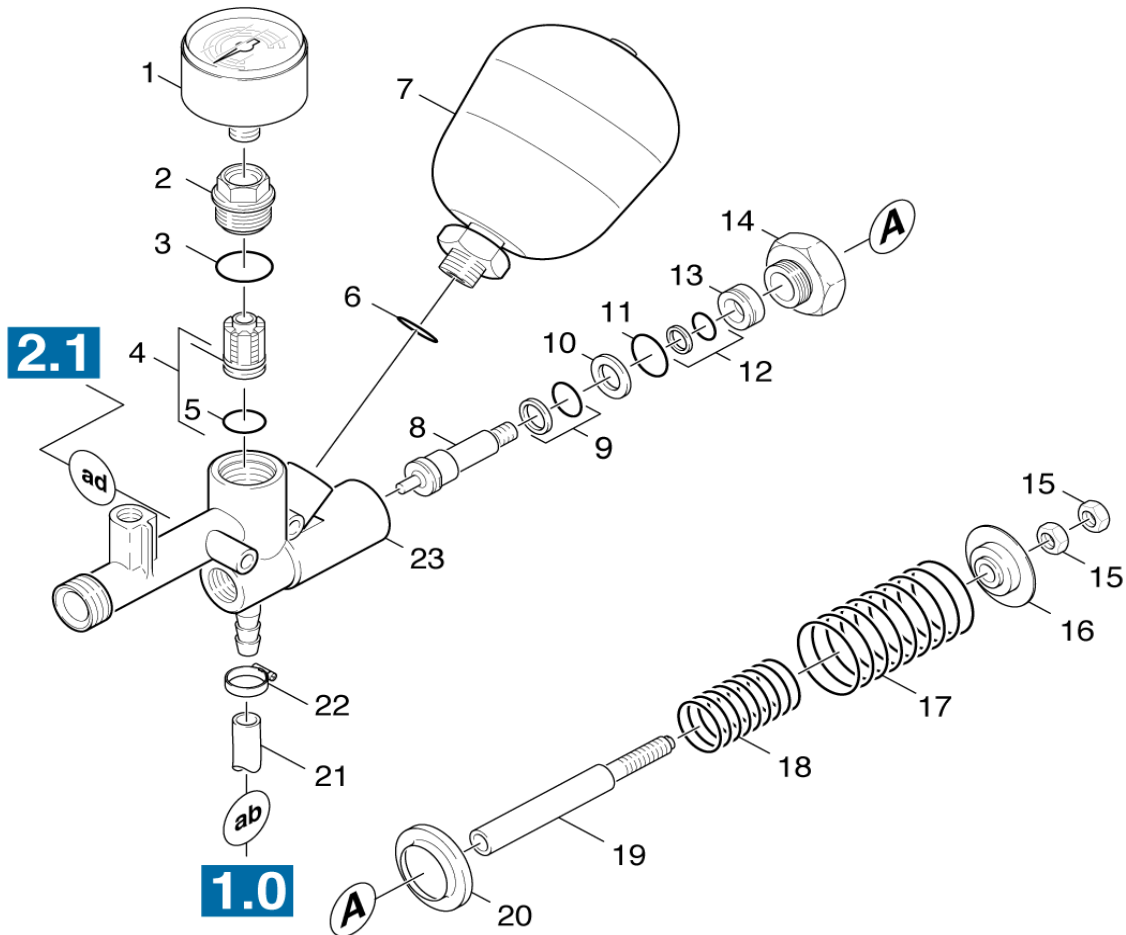
PARTS BREAKDOWN FOR HD1050 (1.720-111.0)

Location	PN	DESCRIPTION	QTY	SERIAL #	
				FROM	TO
PUMP - piston					
1	53321170	HELICAL SPRING	3		
2	50305370	Moulded part	3		
3	51154220	WASHER	3		
4	64723310	VALVE SPRING	3		
5	45530980	PISTON	3		
6	63624470	O RING	1		
7	50602640	Housing	1		
8	73060430	Cylinder head screw M8x30 -8.8-A2E ISO	2		
9	63650520	GROOVED RING	3		
10	51152550	Washer	3		
11	63650530	GROOVED RING	3		
12	51121810	Bush	3		
13	51152240	Washer	3		
14	63653300	GROOVED SEALING RING	3		
15	63624840	O-RING	3		
100	28830110	PUMP SET HD 1050	1		



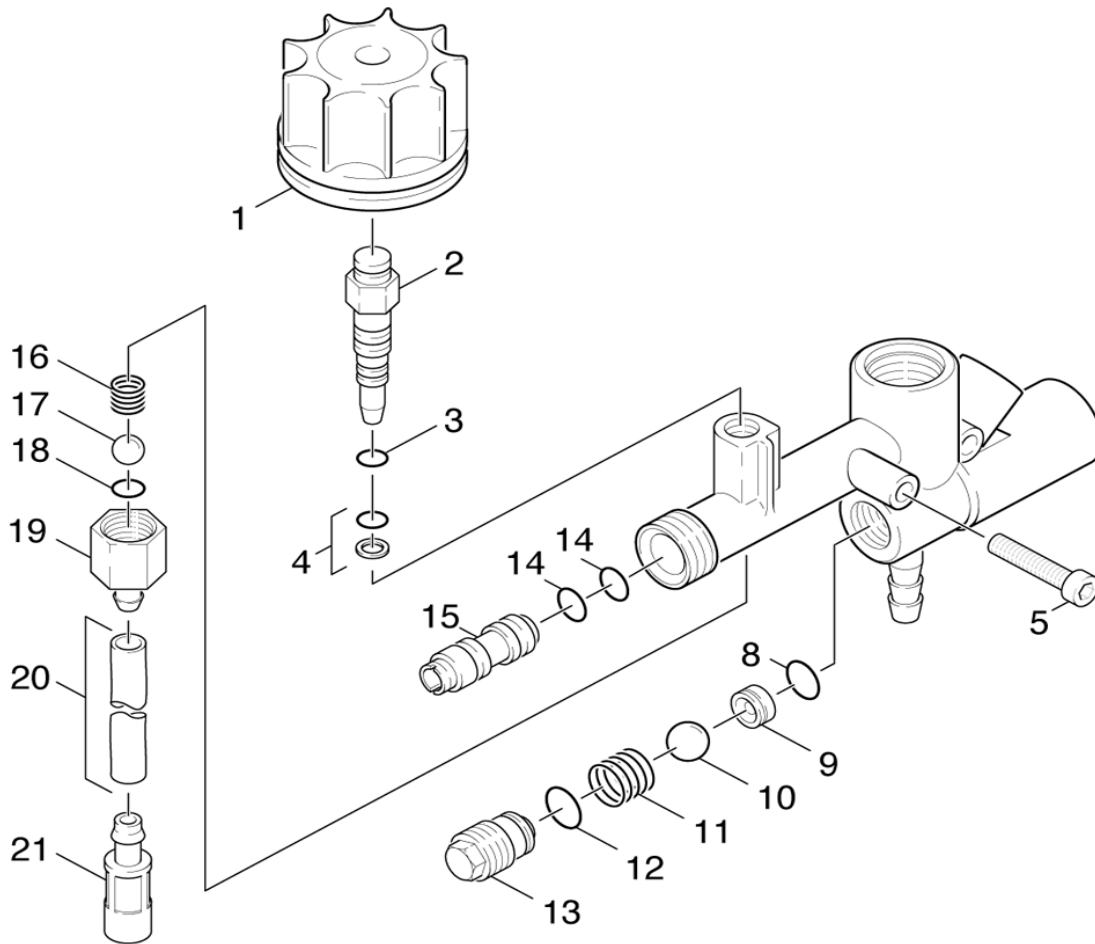
PARTS BREAKDOWN FOR HD1050 (1.720-111.0)

Location	PN	DESCRIPTION	QTY	SERIAL #	
				FROM	TO
PUMP - safety system					
1	64211010	PRESSURE GAUGE	1		
2	55831210	VALVE SCREW	1		
3	63624830	O-RING	1		
4	45801640	VALVE COMPLETE	1		
5	63624810	O-Ring seal 14,0x2,0-NBR 80	1		
6	63621760	O-Ring seal 6,07x1,78	1		
7	65050210	Pressure accumulator	1		
8	55531980	PISTON	1		
9	63625750	O RING COMPLETE	1		
10	51154020	Washer	1		
11	63623950	O RING	1		
12	63623650	O-Ring seal complete 1ST.-R.- 7,65X 1,7	1		
13	51123110	Bush	1		
14	53051890	SCREW	1		
15	73110410	Hexagon nut M 8-CU 2 ISO 4032	2		
16	51151800	WASHER	1		
17	53320920	HELICAL SPRING	1		
18	53320930	HELICAL SPRING	1		
19	51070450	ROD	1		
20	50307760	Moulded part	1		
21	63880070	High pressure hose DN13	1		
22	63885470	HOSE CLIP	1		
23	40600880	HOUSING	1		



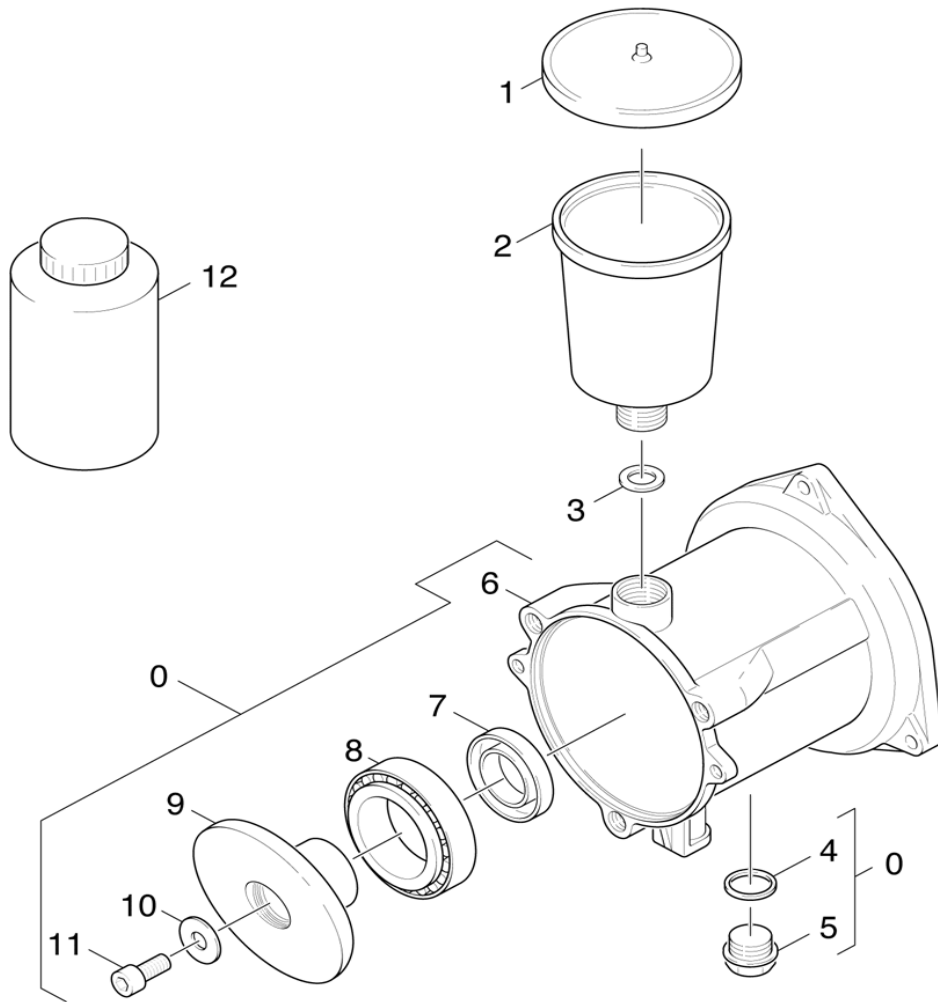
PARTS BREAKDOWN FOR HD1050 (1.720-111.0)

Location	PN	DESCRIPTION	QTY	SERIAL #	
				FROM	TO
PUMP - suction side					
1	53212280	Handhold	1		
2	52910360	SPINDLE	1		
3	63625860	O RING	1		
4	63625870	O RING	1		
5	73061290	Screw M6x40 -8.8-R3R (In6Rd)	2		
8	63624370	O RING	1		
9	55811120	VALVE SEAT	1		
10	74019280	Sphere 8 G300 -1.4301 DIN 5401	1		
11	53320880	SPRING	1		
12	63624820	O-Ring seal 10 x 1,5-NBR 70	1		
13	54110680	CLOSING SCREW	1		
14	63623840	O-Ring seal 9,0 x 1,5	2		
15	57690820	Nozzle insert D2.0/ D2.7/ L38	1		
16	53321240	Helical spring	1		
17	74019080	Sphere 7 G300 -1.4301 DIN 5401	1		
18	63623830	O RING	1		
19	54434330	Hose stem	1		
20	63882160	Hose DN 5	1		
21	57316090	Filter with weight	1		



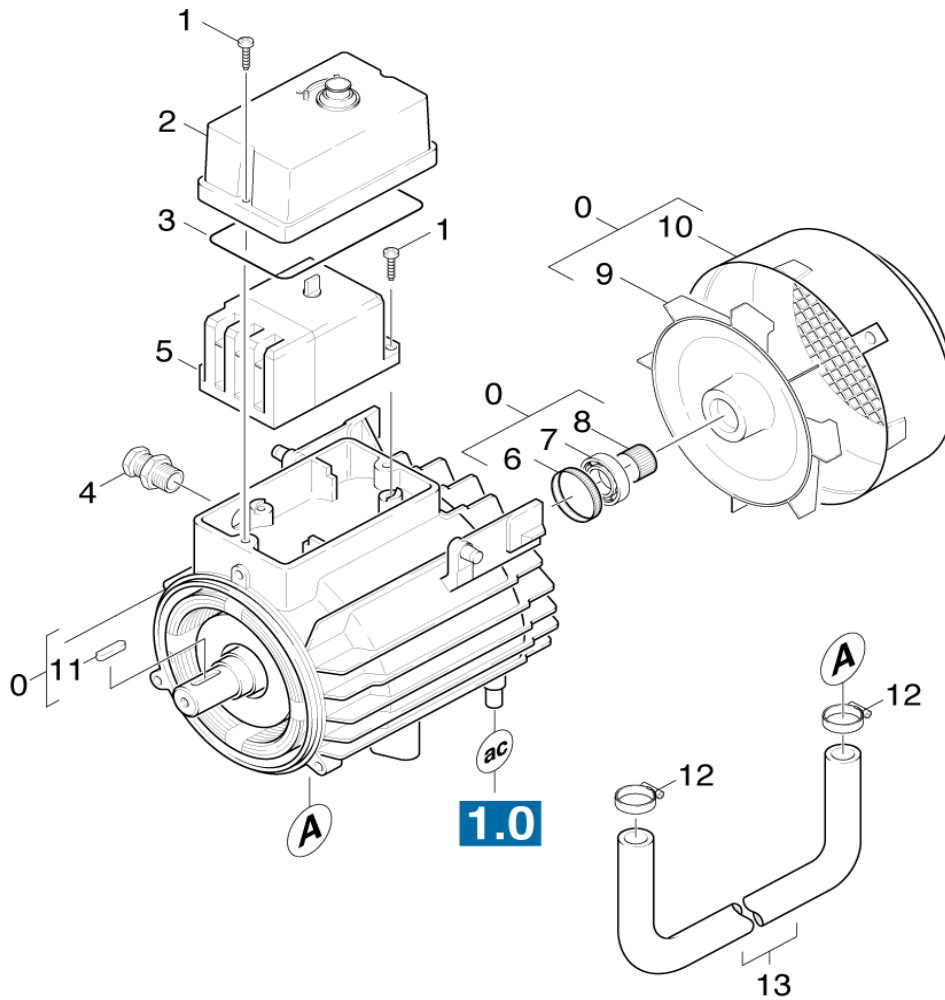
PARTS BREAKDOWN FOR HD1050 (1.720-111.0)

Location	PN	DESCRIPTION	QTY	SERIAL #	
				FROM	TO
MOTOR - actuation					
0	66113710	ELECTRIC MOTOR	1		
1	50631890	Cover	1		
2	50700480	Box	1		
3	53631000	Joint ring	1		
4	73620090	Joint ring 18x22-CU DIN 7603	1		
5	73822350	Screw plug M18x1,5-A-CuZn DIN 7604	1		
6	50602840	HOUSING	1		
7	73670090	Radial shaft seal ring A35x52x7-NBR DIN	1		
8	64012250	TAPER ROLLER BEARING	1		
9	51201490	SWASH PLATE	1		
10	73122610	Washer 8 -100HV-A3E ISO 7094	1		
11	73060410	Cylinder head screw M8x20 -8.8-A2E ISO	1		
12	62880160	Oil 1 Litre (15w-40)	1		



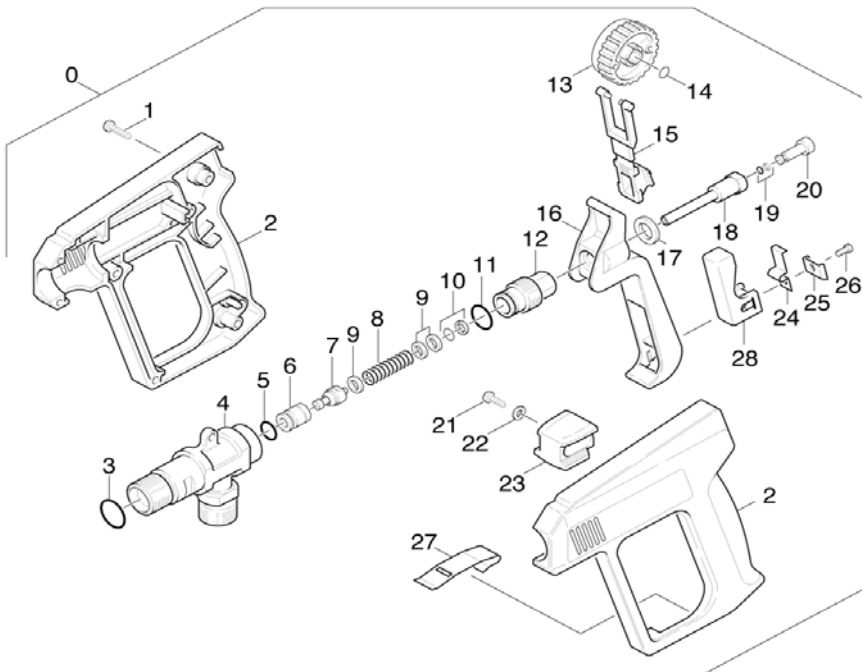
PARTS BREAKDOWN FOR HD1050 (1.720-111.0)

Location	PN	DESCRIPTION	QTY	SERIAL #	
				FROM	TO
MOTOR - ventilation					
0	66113710	ELECTRIC MOTOR	1		
1	73090130	SCREW	4		
2	50660980	Cover	1		
3	62730370	Seal string cellular rubber 3	1		
4	66416130	Cable gland PG13,5	1		
5	66311900	SWITCH	1		
6	63430100	Tolerance ring 62x10	1		
7	64012530	BALL BEARING	1		
8	63430250	TOLERANCE RING	1		
9	66113720	BLOWER WHEEL	1		
10	66113730	BLOWER COVER	1		
11	73180350	Parallel key 8x7x25 -C45R DIN 6885-1	1		
12	63885480	HOSE CLIP	2		
13	54426150	HOSE	1		



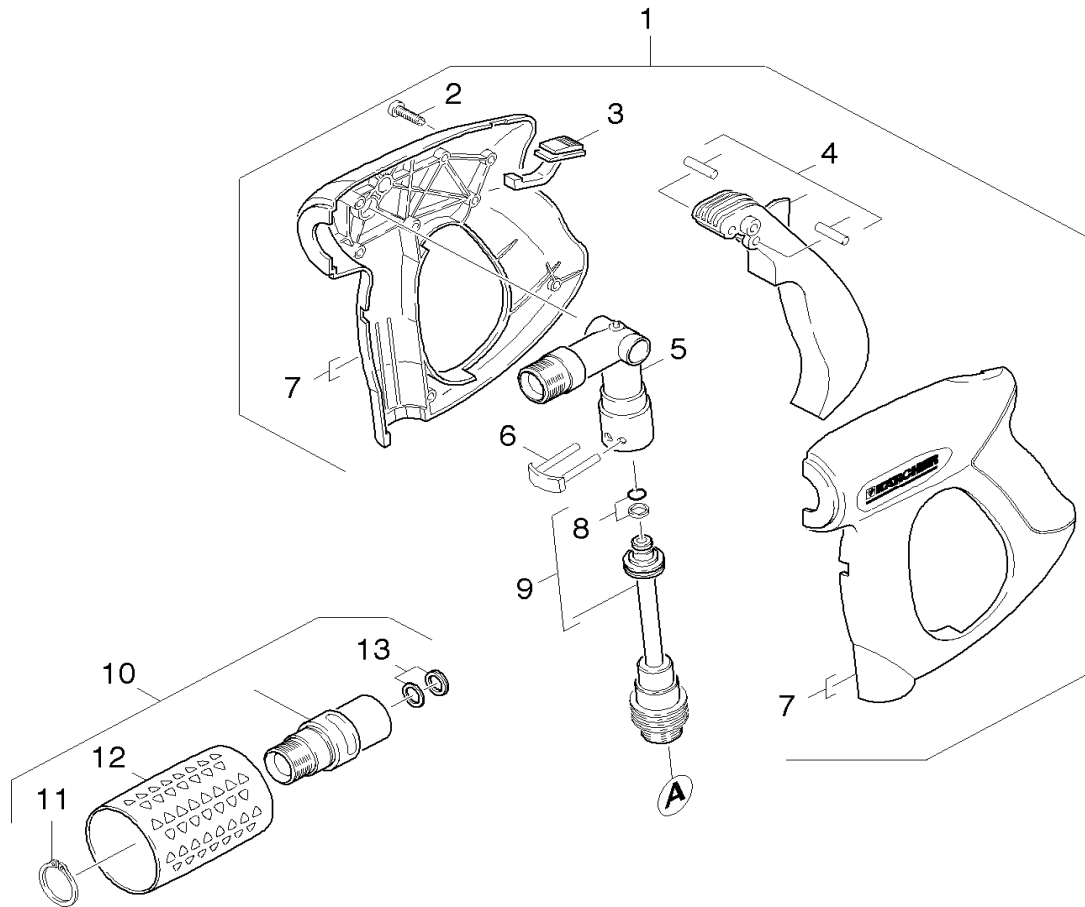
PARTS BREAKDOWN FOR HD1050 (1.720-111.0)

Location	PN	DESCRIPTION	QTY	SERIAL #	
				FROM	TO
ACCESSORIES - trigger gun					
0		Stockpiling Discontinued	1		
1	73030960	Screw 4x22 -ST-10.9-R2R (IN6RD)	8		
2	53211070	Handhold few	1		
3	63624960	O RING	1		
4	54270790	Manifold	1		
5	63624790	O-RING 7,59X2,62	1		
6	51102390	Sleeve 155-280L/H	1		
7	45810130	Valve seat	1		
8	53321400	Helical spring	1		
9	51152600	Washer	1		
10	63624680	O-RING COMPL	1		
11	63624780	O-RING 12,42X1,78	1		
12	53051100	Shaped screw	1		
13	53220060	Hand wheel	1		
14	63621760	O-Ring seal 6,07x1,78	1		
15	50302830	Moulded part	1		
16	53250090	Lever	1		
17	51152270	Washer	1		
18	51070620	Bar	1		
19	63624770	O-RING COMPL	1		
20	55531180	Piston	1		
21	63030250	Oval head screw 4,2x16-St-vz	1		
22	73120010	Washer 4 -200HV-A3E ISO 7089	1		
23	50303210	Moulded part	1		
24	53350130	Spiral spring	1		
25	50404800	Sheet metal component	1		
26	63030580	Oval head screw 2,9X 13-ST-VERZ	1		
27	50404790	Sheet metal component	1		
28	53250100	Lever	1		
100	28804630	Spare part set 4.775-056	1		



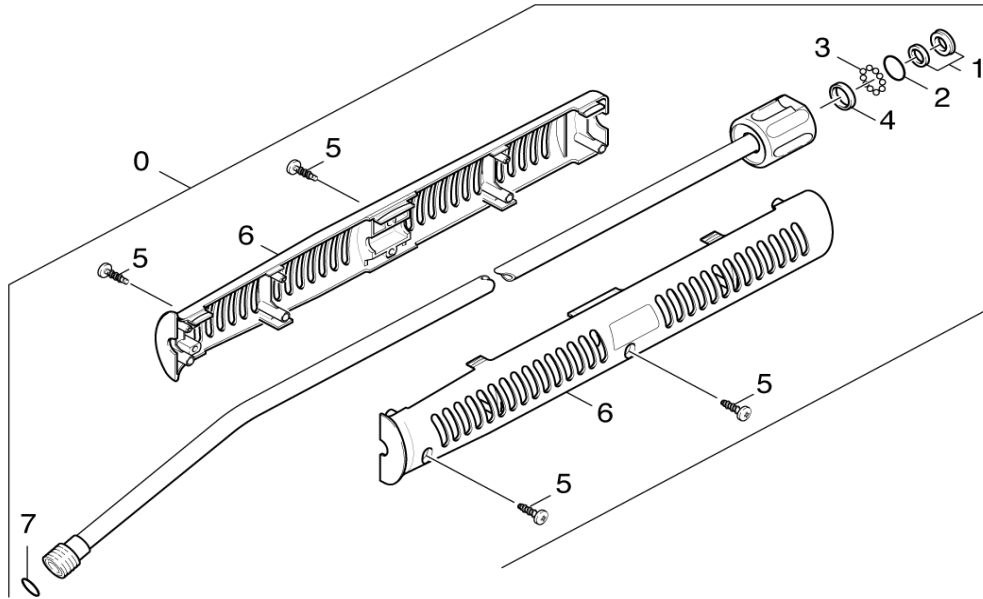
PARTS BREAKDOWN FOR HD1050 (1.720-111.0)

Location	PN	DESCRIPTION	QTY	SERIAL #	
				FROM	TO
ACCESSORIES - trigger gun					
1	47754660	Hand trigger gun	1		
2	73030960	Screw 4x22 -ST-10.9-R2R (IN6RD)	7		
3	54813310	Slider	1		
4	44812090	Lever complete	1		
5	44272150	Manifold complete only for replacement	1		
6	40370130	Hook	1		
7	53216690	Handhold few	2		
8	63631160	GASKET	1		
9	44217390	Adapter pipeline	1		
10	47754700	Rotary controller 416L	1		
11	73430080	Locking ring 25x1,2-St-vz DIN 471	1		
12	53216680	Handle	1		
13	63633100	Grooved ring 14x9,4x2,6	1		

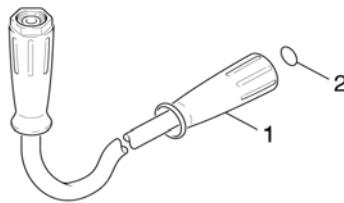


PARTS BREAKDOWN FOR HD1050 (1.720-111.0)

Location	PN	DESCRIPTION	QTY	SERIAL #	
				FROM	TO
ACCESSORIES - jet pipe & hose					
0	47605500	Jet pipe complete 1050mm	1		
1	63625320	O-Ring	1		
2	63625240	O-Ring seal 17,0 X 1,5	1		
3	74019210	Sphere 4 G20 -1.4034 DIN 5401	12		
4	63625290	Joint ring 12x1,5	1		
5	63030250	Oval head screw 4,2x16-St-vz	2		
6	53211500	HANDLE (PART NO=ONE HALF)	2		
7	28802960	Spare part set O-Ring seal 5x-Kaercher	1		

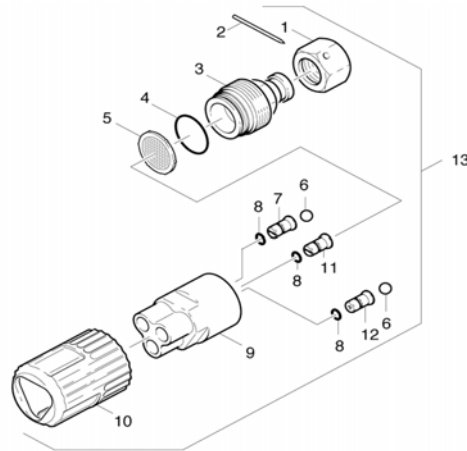


1	63898910	High pressure hose DN 8	1		
2	28802960	Spare part set O-Ring seal 5x-Kaercher	1		



PARTS BREAKDOWN FOR HD1050 (1.720-111.0)

Location	PN	DESCRIPTION	QTY	SERIAL #	
				FROM	TO
ACCESSORIES - nozzle					
1	63862410	Union nut	1		
2	63431500	Pin 03	1		
3	54023850	SCREW UNION	1		
4	63624690	GASKET 21,95X 1,78	1		
5	57340680	STRAINER	1		
6	74019100	Sphere 3/8 G80-1.4034 DIN 5401	3		
7		Stockpiling Discontinued	1		
8	63625780	GASKET 6,0 X 1,0	3		
9	57680290	NOZZLE BODY	1		
10	53942130	PROTECTION PART	1		
11	64154660	Nozzle mouthpiece 25G055	1		
12	64154680	SOLID SPRAY NOZZLE	1		
13	47640660	Nozzle holder 055	1		



1	73431510	Locking ring 28x1,2-FST-RF DIN 472	1		
2	28840140	Spare part set neutrally	1		
3	44010490	Screw connector part	1		
4	63625800	O RING	1		
5	47670050	Triple jet nozzle with packing 055	1		
6	74019290	Sphere 6,35 G20 -1.4034 DIN 5401	2		
7	64155360	SOLID SPRAY NOZZLE	1		
8	63626610	O RING	3		
9	64155350	Flat jet nozzle -4025	1		
11	64155340	Flat jet nozzle -25055	1		
12	53942590	Protection part	1		

