



Spare parts list

(18104000) G 4000 SH

2005 12

91391780

www.kaercher.com

EN

CONTENT LIST

1.0 Frame

2.0 Pump set

2.1 Cylinder head

2.2 Chemistry

2.3 Piston

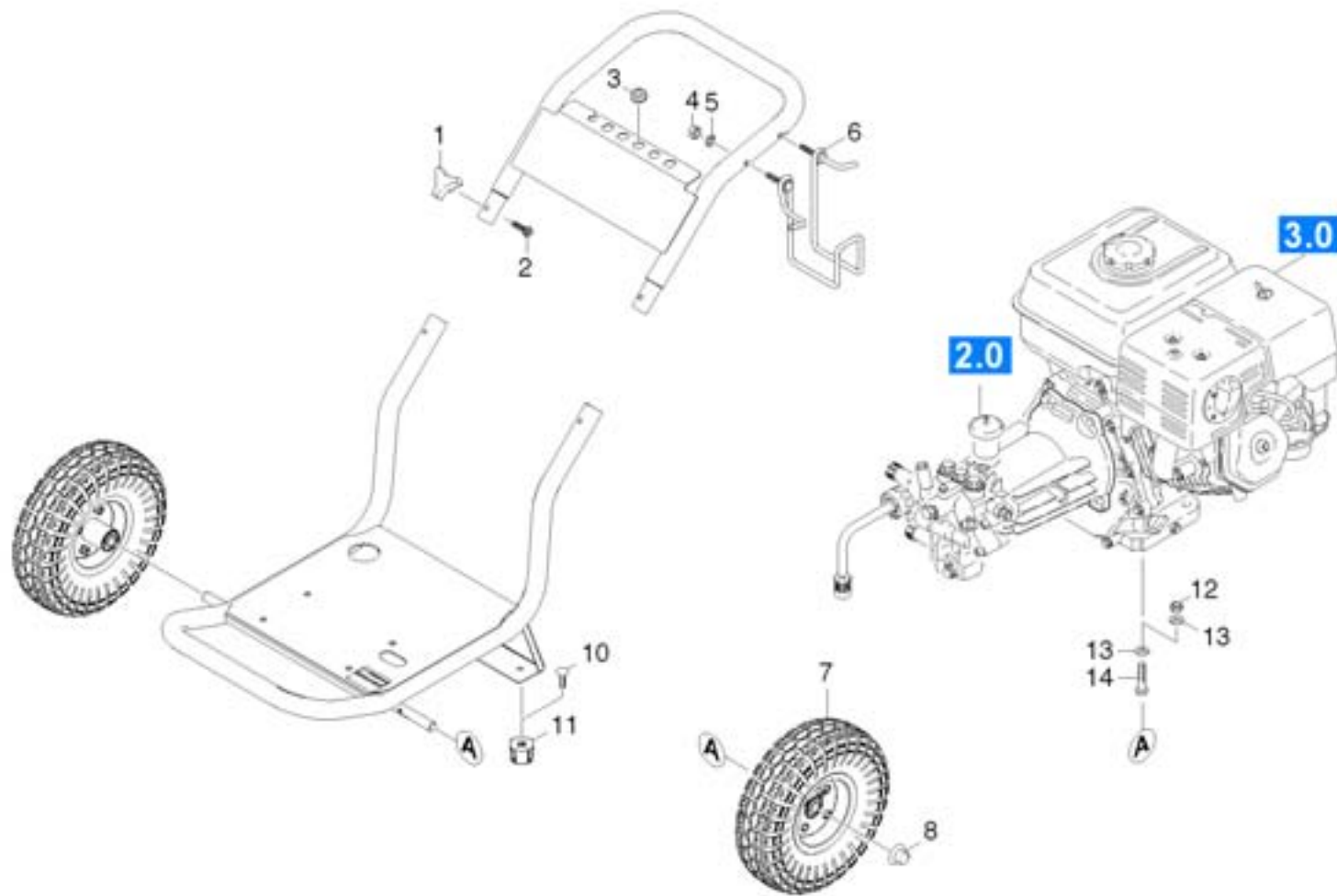
3.0 Motor

3.1 Motor

3.2 Transmission

4.0 Accessories

1.0 Frame



1.0 Frame

POS	DESCRIPTION ADDITIONAL INFORMATIONS	PART NO	QTY.	FROM SER.NR.	UP TO SER. NR.
1	KNOB 1/4"-20,3PT. STAR	91823530	2		
2	1/4-20 x 1-1/2 GR 2 HEX BOLT ZINC	91963070	2		
3	GROMMET	91772040	5		
4	5/16"-18 FINISHED HEX NUT ZINC	53101050	2		
5	5/16 INTERNAL L/W .332 ID X .620 OD ZINC	91980030	2		
6	HANGER WELD ASSY LEFT SIDE-FRAME S	91420190	1		
7	WHEEL, 12" X 3.50" PNEU-BLACK RIMS	91890110	2		
8	CAP BLACK PLASTIC,5/8"FASTENER	91825060	2		
10	5/16-18 X 1/2 CARRIAGE BOLT A307 BLK	91963080	2		
11	RUBBER DAMPENER 5/16"-18FEMALE 2001	91834050	2		
12	3/8-16 NE NYLON INSERT L/N ZC 5UM WHITE	91970030	4		
13	3/8 USS F/W ZINC	91980040	8		
14	Stockpiling discontinued	77779990	4		

2.0 Pump set

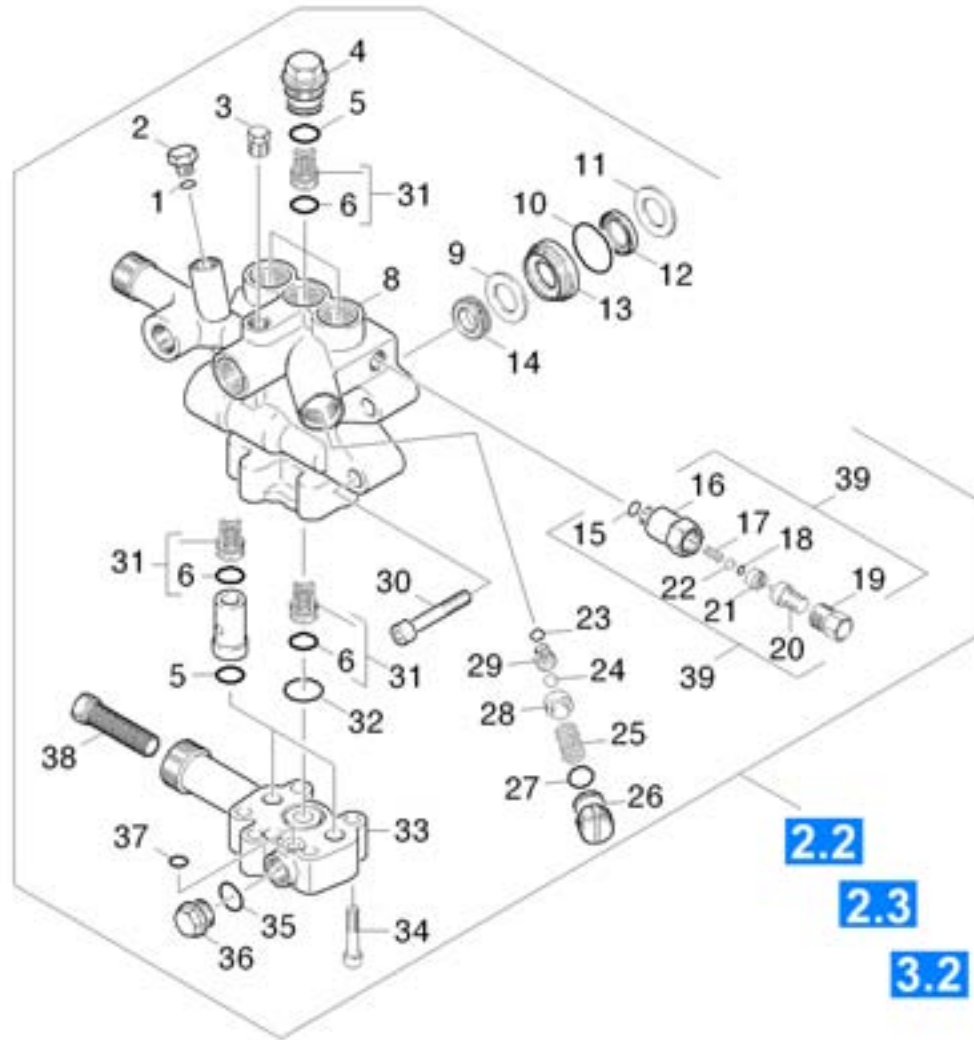
2.1 Cylinder head

2.2 Chemistry

2.3 Piston



2.1 Cylinder head



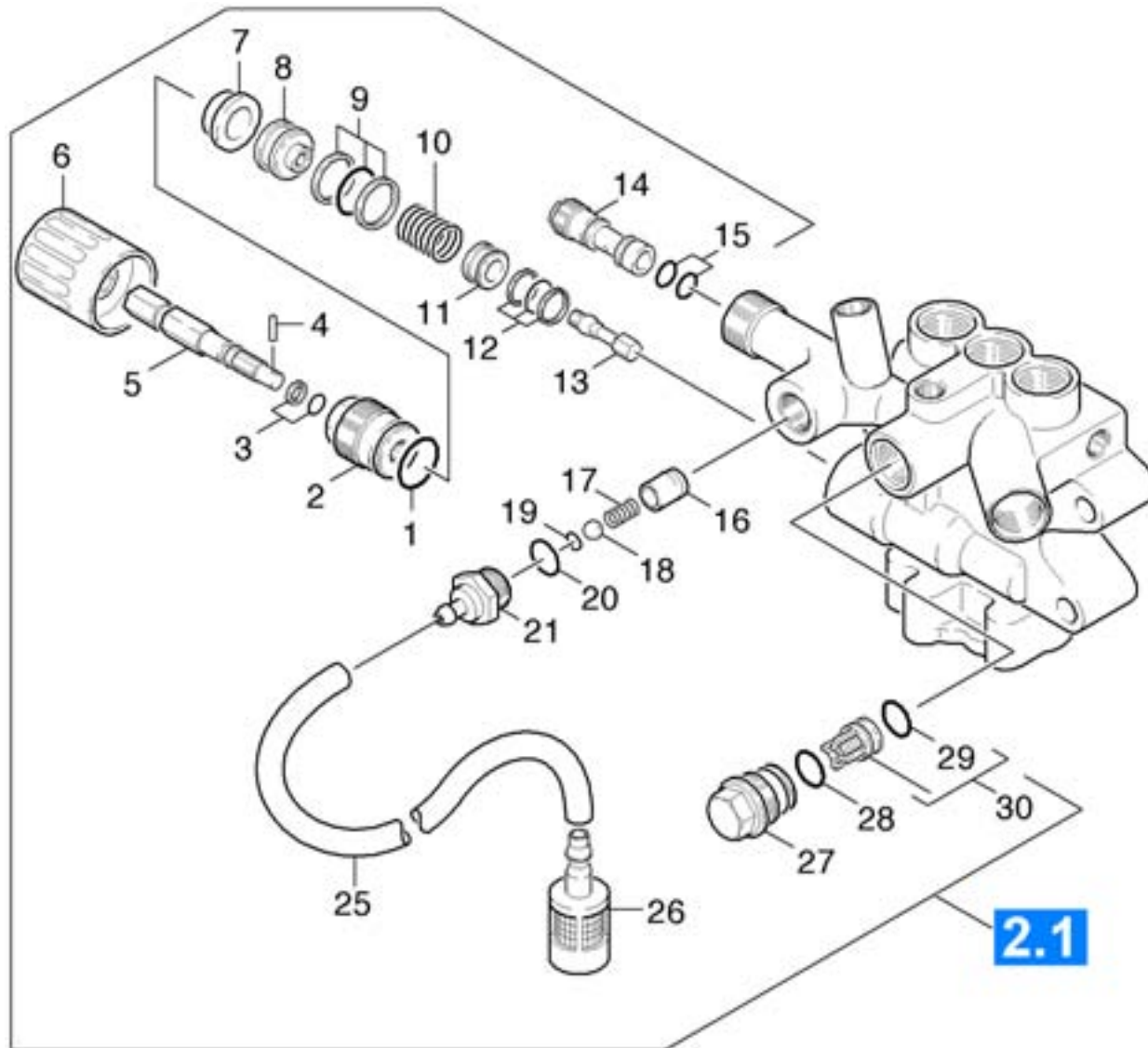
2.1 Cylinder head

POS	DESCRIPTION ADDITIONAL INFORMATIONS	PART NO	QTY.	FROM SER.NR.	UP TO SER. NR.
1	ROUND CORD RING	63621130	1		
2	SCREW PLUG	54110700	1		
3	CLOSING SCREW	73822740	1		
4	Valve screw	55831460	4		
5	O-Ring seal 14,0 X 2,0-NBR 80	63624810	6		
6	GASKET	63630030	6		
8	CYLINDER HEAD	55502730	1		
9	WASHER	51154920	3		
10	O RING	63623980	3		
11	WASHER	51154930	3		
12	Compact seal 16 x 24 x 4	63653510	3		
13	Bush	51124020	3		
14	LIP SEAL 16X24X5.3	63654080	3		
15	ROUND CORD RING	63621010	1		
16	SCREW UNION	54026370	1		
17	HELICAL SPRING	53322330	1		
18	O RING 4.47X 1.78	63628530	1		
19	CLOSING SCREW	54111500	1		
20	VALVE	64130670	1		
21	WASHER	51158760	1		
22	BALL 4,762	74010090	1		
23	O RING	63627030	1		
24	Sphere 7 G300 -1.4301 DIN 5401	74019080	2		
25	Helical spring	53322030	1		
26	VALVE SCREW	55830890	1		
27	O RING 12.0 X 2.0	63621690	1		
28	VALVE HEAD	55820750	1		
29	VALVE SEAT	55812180	1		
30	M10 X 70MM CLS 8.8 SHCS THRU HARDENED	73061250	4		
31	VALVE	45803290	6		
32	O-RING	63625470	1		
33	Valve housing	50608090	1		

2.1 Cylinder head

POS	DESCRIPTION ADDITIONAL INFORMATIONS	PART NO	QTY.	FROM SER.NR.	UP TO SER. NR.
34	M8-1.25 X 35MM CLS 8.8 SHCS THRU,	73060440	5		
35	O RING	63624270	1		
36	CLOSING SCREW	73822350	1		
37	O-RING 9,0 X 1,5	63623840	3		
38	FILTER	64142820	1		
39	VALVE	45803550	1		
100	SPARE PARTS KIT fuer Pumpensatz	28842170	1		

2.2 Chemistry

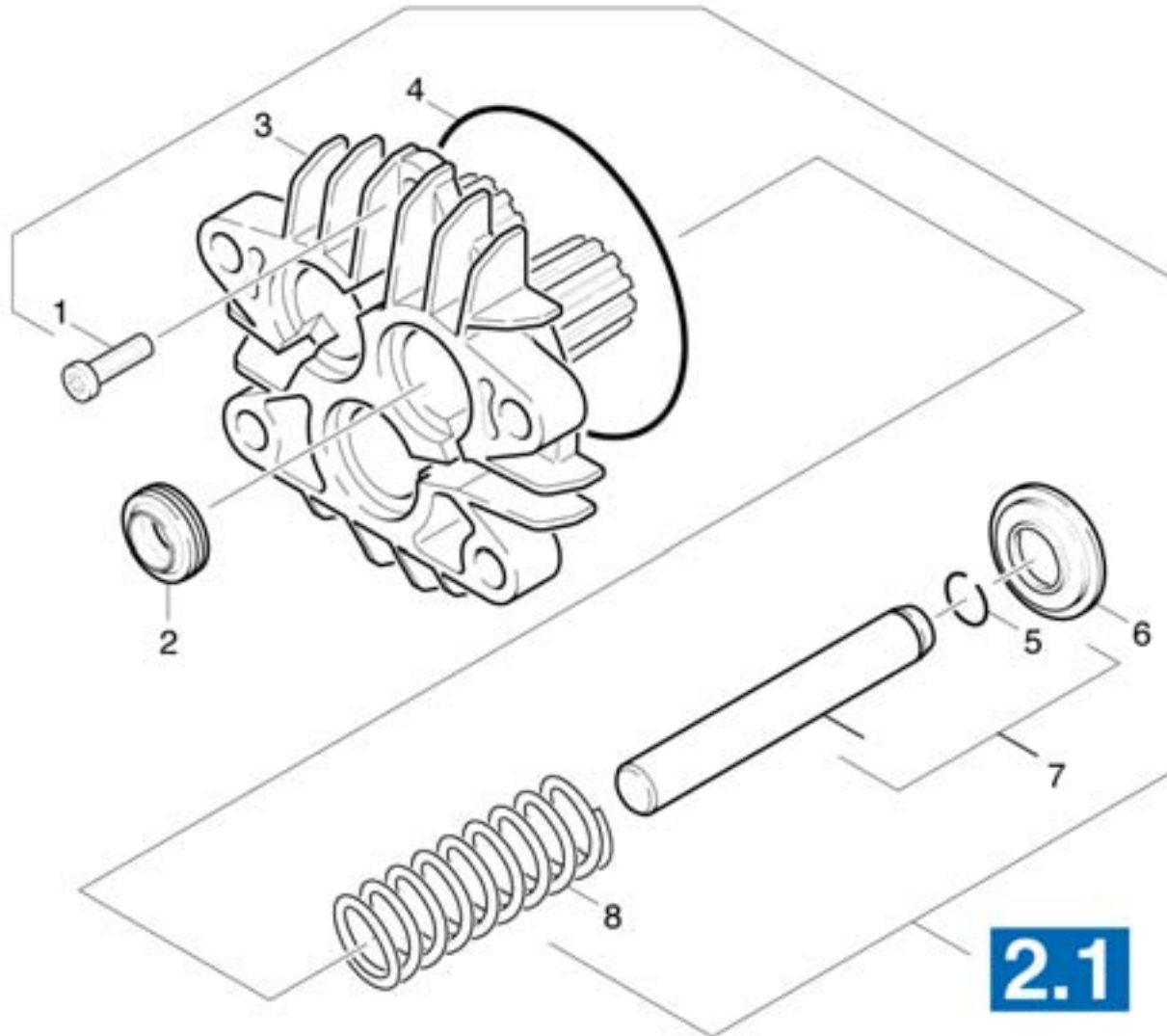


2.2 Chemistry

updated 25 Feb 2009

POS	DESCRIPTION ADDITIONAL INFORMATIONS	PART NO	QTY.	FROM SER. NR.	UP TO SER. NR.
1	O-Ring	63629890	1		
2	Valve Screw	55831470	1		
3	O-Ring seal complete 1ST.-R.	63624680	1		
4	Grooved pin 2x10-A1 ISO 8742	73146290	1		
5	Spindle	42910140	1		
6	Handhold	53213070	1		
7	Sleeve	51106300	1		
8	Piston excess-current	55533630	1		
9	Gasket	63629770	1		
10	Spring	53324250	1		
11	Valve Seat	55812140	1		
12	O-Ring seal complete 2ST.-R.	63624500	1		
13	Shaped screw	53052630	1		
14	Nozzle insert	57691410	1		101526
14	Nozzle insert	91520030	1	101527	
15	O-Ring seal 9.0 x 1.5	63623840	2		
16	Tube	50286920	1		
17	Helical spring	53321240	1		
18	Sphere 7 G300-1.4301 DIN 5401	74019080	1		
19	O-Ring seal 6.0 x 2.0	63623830	1		
20	O-Ring seal 14.0 x 1.5-NBR 70	63625330	1		
21	Chemical Nipple	91540390	1		
25	Hose DN 5 TO ORDER AS CUT GOODS	91621010	1		
26	Filter with weight	57316090	1		
27	Valve Screw	55831460	1		
28	O-Ring seal 14.0x2.0-NBR 80	63624810	1		
29	O-Ring seal 13.0x2.0	63623810	1		
30	Valve complete	45803230	1		

2.3 Piston



2.3 Piston

POS	DESCRIPTION ADDITIONAL INFORMATIONS	PART NO	QTY.	FROM SER.NR.	UP TO SER. NR.
1	Screw M6x25 -8.8-R3R (In6Rd)	73060940	2		
2	GROOVED RING 16X24X7	63653220	3		
3	HOUSING	50606760	1		
4	GASKET	63629630	1		
5	SPRING RING	73434780	3		
6	WASHER	51156890	3		
7	PISTON	45531720	3		101526
7	PISTON COMPLETE-G 4000 SH	91723140	3	101527	
8	HELICAL SPRING	53324030	3		

3.0 Motor

3.1 Motor

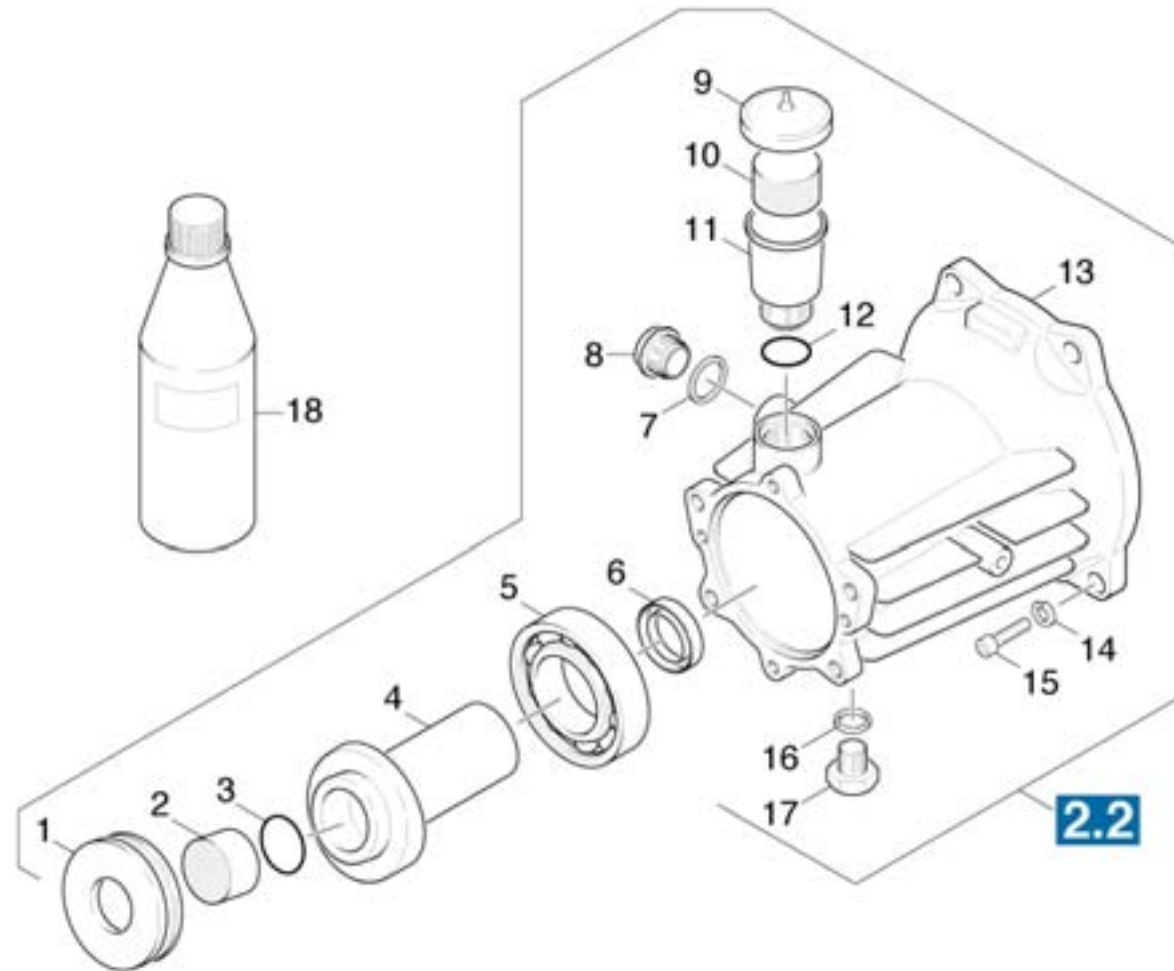
3.2 Transmission



3.1 Motor

POS	DESCRIPTION ADDITIONAL INFORMATIONS	PART NO	QTY.	FROM SER.NR.	UP TO SER. NR.
1	CAP OF A TANK	64913470	1		
2	FILTER	91945030	1		
3	TANK	91945010	1		
4	SEAL	64913480	1		
5	EXHAUST COVER	91945090	1		
6	SCREW M4X6	91945180	1		
7	COVER AUSPUFF	91945070	1		
8	WING NUT	91945220	1		
9	BLOWER COVER	91944990	1		
10	AIR FILTER	64913450	1		
11	PULL ROPE	64913500	1		
13	IGNITION PLUG	91945280	1		
14	STARK PLUG CONNECTOR	91945140	1		
18	OELDICHTRING	91944960	2		
19	DRAIN SCREW	91944950	1		
20	WASHER	91945260	1		
21	BOLT	91945200	1		
22	SPRING	64911760	1		
23	OIL DIP ROD	91944920	1		
24	OIL 1 LITRE	62880500	1		
26	SCREW M4X 6	91945160	1		
27	EXHAUST KPL.	91945050	1		
28	NUT	91945240	1		

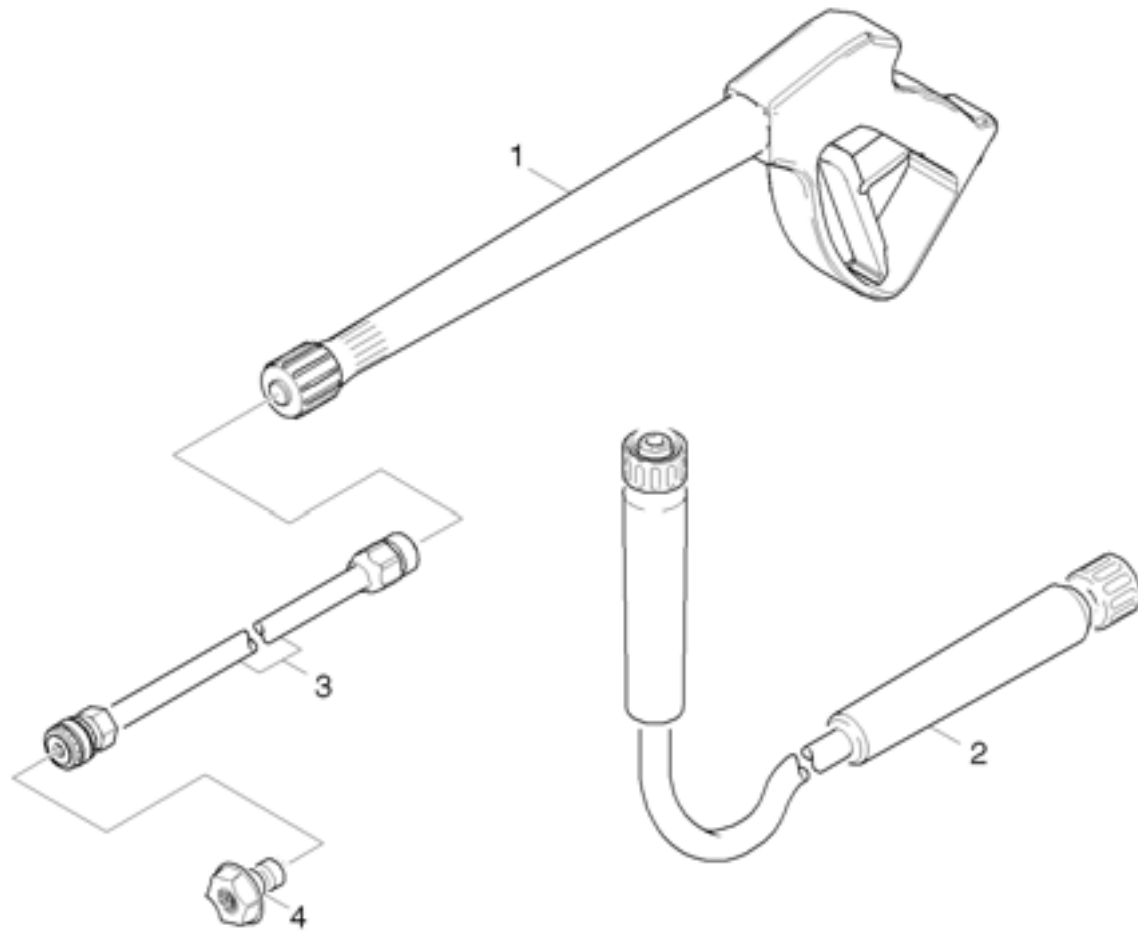
3.2 Transmission



3.2 Transmission

POS	DESCRIPTION ADDITIONAL INFORMATIONS	PART NO	QTY.	FROM SER.NR.	UP TO SER. NR.
1	Axial roller bearing	64013340	1		
2	PLUG	51321440	1		
3	GASKET	63628100	1		
4	SWASH PLATE	51203240	1		101526
4	Swash plate	91652550	1	101527	
5	TAPER ROLLER BEARING	64012250	1		
6	SEALING RING	73670110	1		
7	Seal	63625850	1		
8	SCREW PLUG	54110620	1		
9	Cover	50636510	1		
10	PLUG	51321070	1		
11	Tank	50701940	1		
12	O-RING 22.3 X 2.4	63621680	1		
13	HOUSING	50608270	1		
14	3/8" SPLIT LOCK WASHER ZC	63120660	4		
15	3/8-16 X 1-1/4 SHCS ZINC	91960150	4		
16	Joint ring 14x18-CU DIN 7603	73620050	1		
17	SCREW	73822330	1		
18	OIL 1 LITRE	62880500	1		

4.0 Accessories



4.0 Accessories

POS	DESCRIPTION	PART NO	QTY.	FROM SER.NR.	UP TO SER. NR.
	ADDITIONAL INFORMATIONS				
1	AL5 GUN 4000 PSI	91120170	1		
2	HP HOSE DN8/50'/4000/NOLOGO/BLK/RBR	91623230	1		
3	LANCE-AL QUICK CONNECT -MALE 4000 PSI	91125270	1		
4	MC Q/C NOZZLE KIT (045)	91040210	1		