



Spare parts list

(18104010) G 4000 RH

2008 02

91393520

www.kaercher.com

EN

CONTENT LIST

1.0 Frame

2.0 Pump set

2.1 Cylinder head

VERSION 1

2.2 Cylinder head

VERSION 2

2.3 Piston

VERSION 1

2.4 Piston

VERSION 2

2.5 Chemistry

3.0 Motor

3.1 Motor

3.2 Transmission

VERSION 1

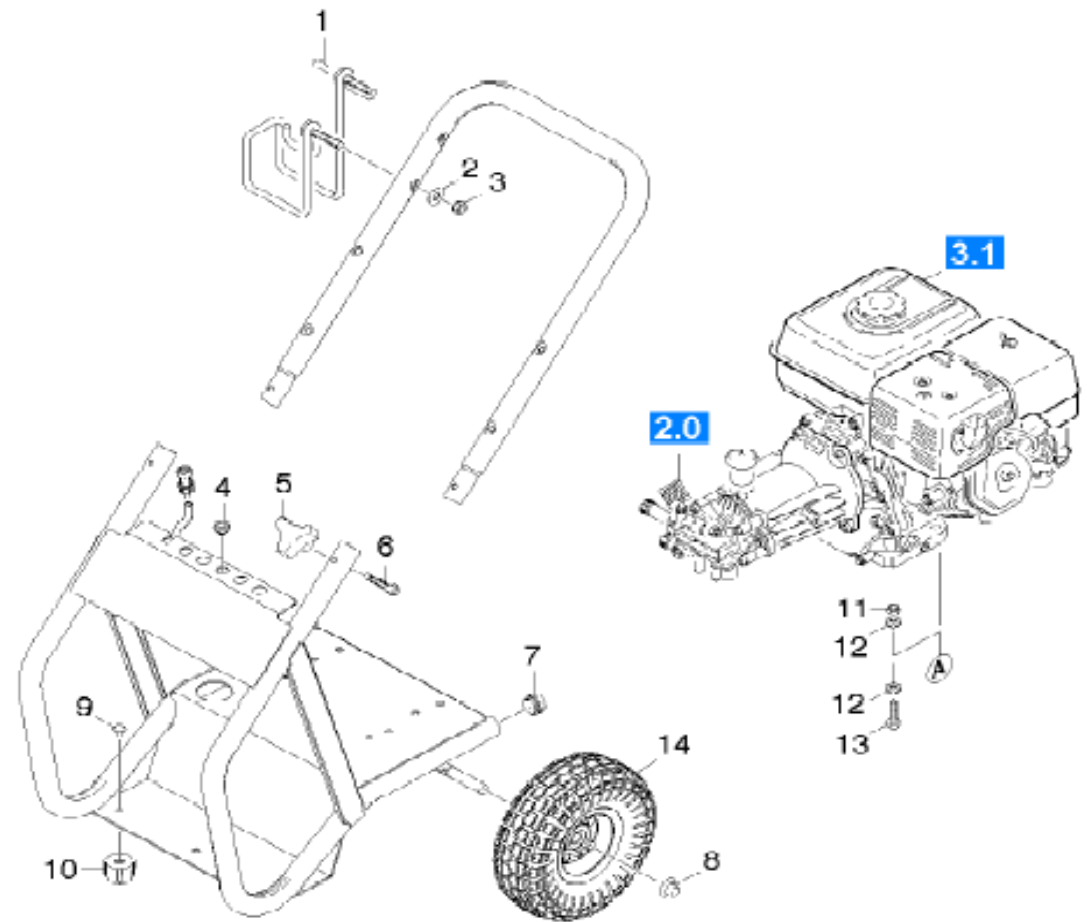
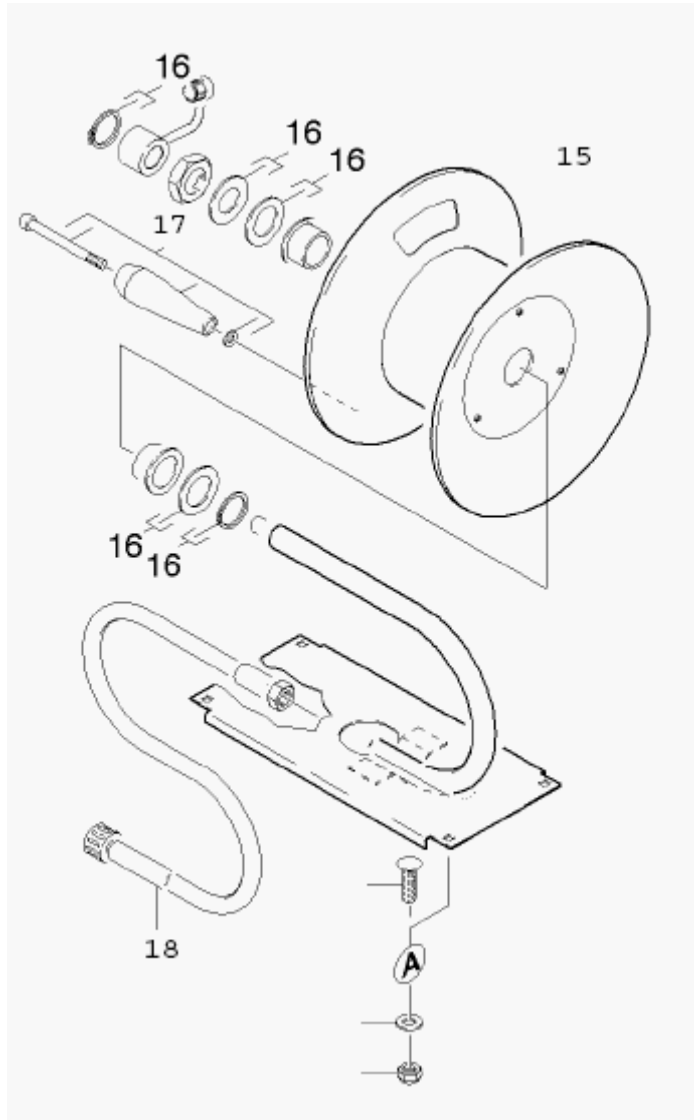
3.3 Transmission

VERSION 2

4.0 Accessories

1.0 Frame

updated 26 Sep 2012



1.0 Frame

updated 26 Sep 2012

POS	DESCRIPTION ADDITIONAL INFORMATIONS	PART NO	QTY.	FROM SER. NR.	UP TO SER. NR.
1	Hanger Weld Assembly 45 deg Right (Solo)	91420090	1		
2	Lock Washer 5/16 Internal .332 ID x .620 OD Zinc	91980030	2		
3	5/16"-18 Finished Hex Nut Zinc	53101050	2		
4	Sleeve Rubber / Nozzle Grommet	91772040	5		
5	Knob 1/4"-20 3 Point Star	91823530	2		
6	1/4"-20 x 1.5 Grade 2 Hex Bolt Zinc	91963070	2		
7	Black Plug Plastic	91830010	2		
8	Cap Black Plastic 5/8" Fastner	91825060	2		
9	5/16"-18 x 1/2 Carriage Bolt A307 Black	91963080	2		
10	Rubber Dampener 5/16"-18 Female 2001	91834050	2		
11	Nut - NO LONGER AVAILABLE		4		
12	Washer - NO LONGER AVAILABLE		8		
13	Bolt - NO LONGER AVAILABLE		4		
14	Wheel	91890070	2		
15	Hose Reel Complete	98012530	1		
16	Hose Reel Seal Kit - Spare Parts Kit	91723030	1		
17	Hose Reel Handle - Spar Parts Kit	91723020	1		
18	HP Jumper Hose 3' 22mmFx3/8"M 3625 PSI / 250 BAR	95580580	1		

2.0 Pump set

2.1 Cylinder head

VERSION 1

2.2 Cylinder head

VERSION 2

2.3 Piston

VERSION 1

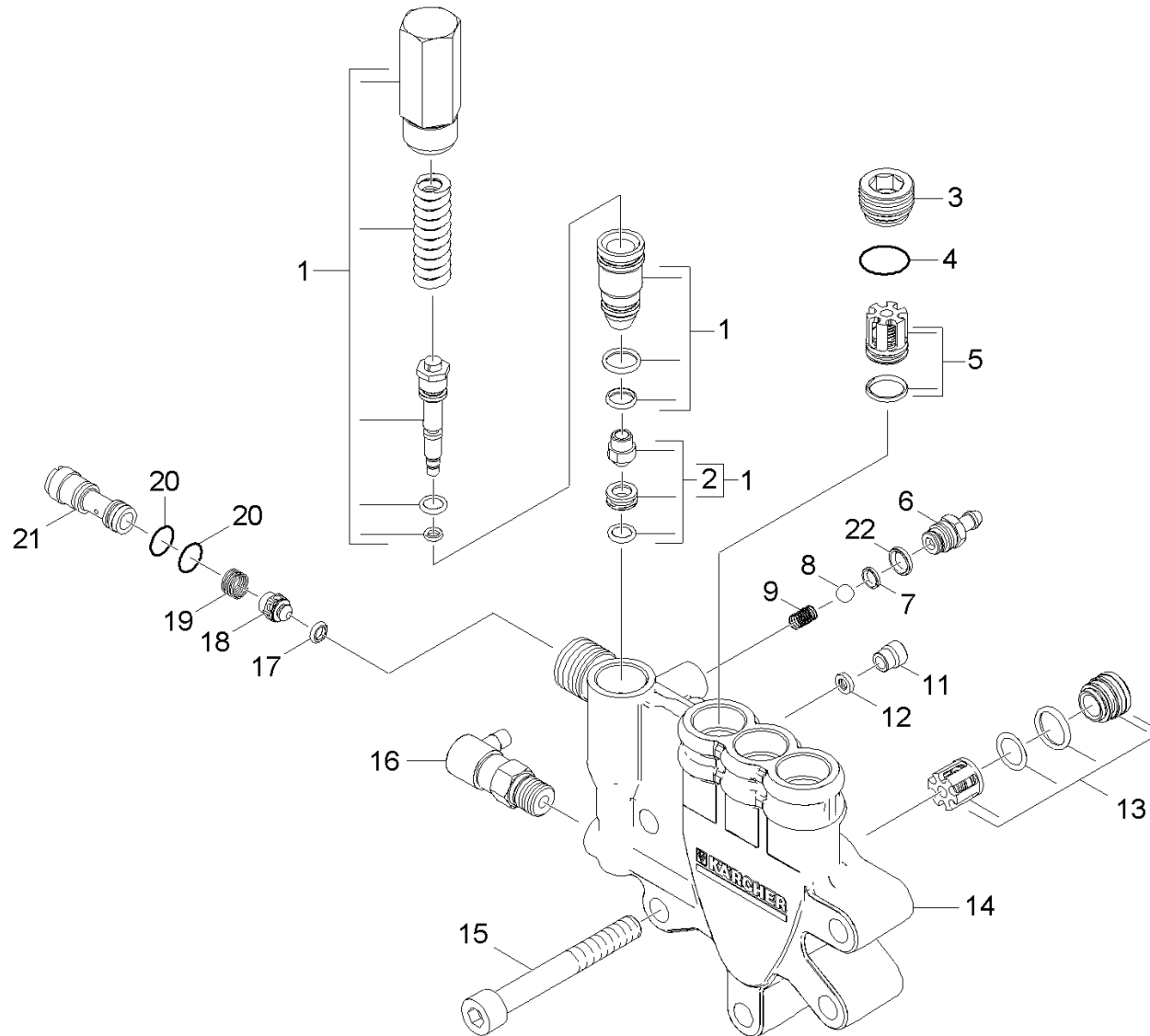
2.4 Piston

VERSION 2

2.5 Chemistry



2.1 Cylinder head

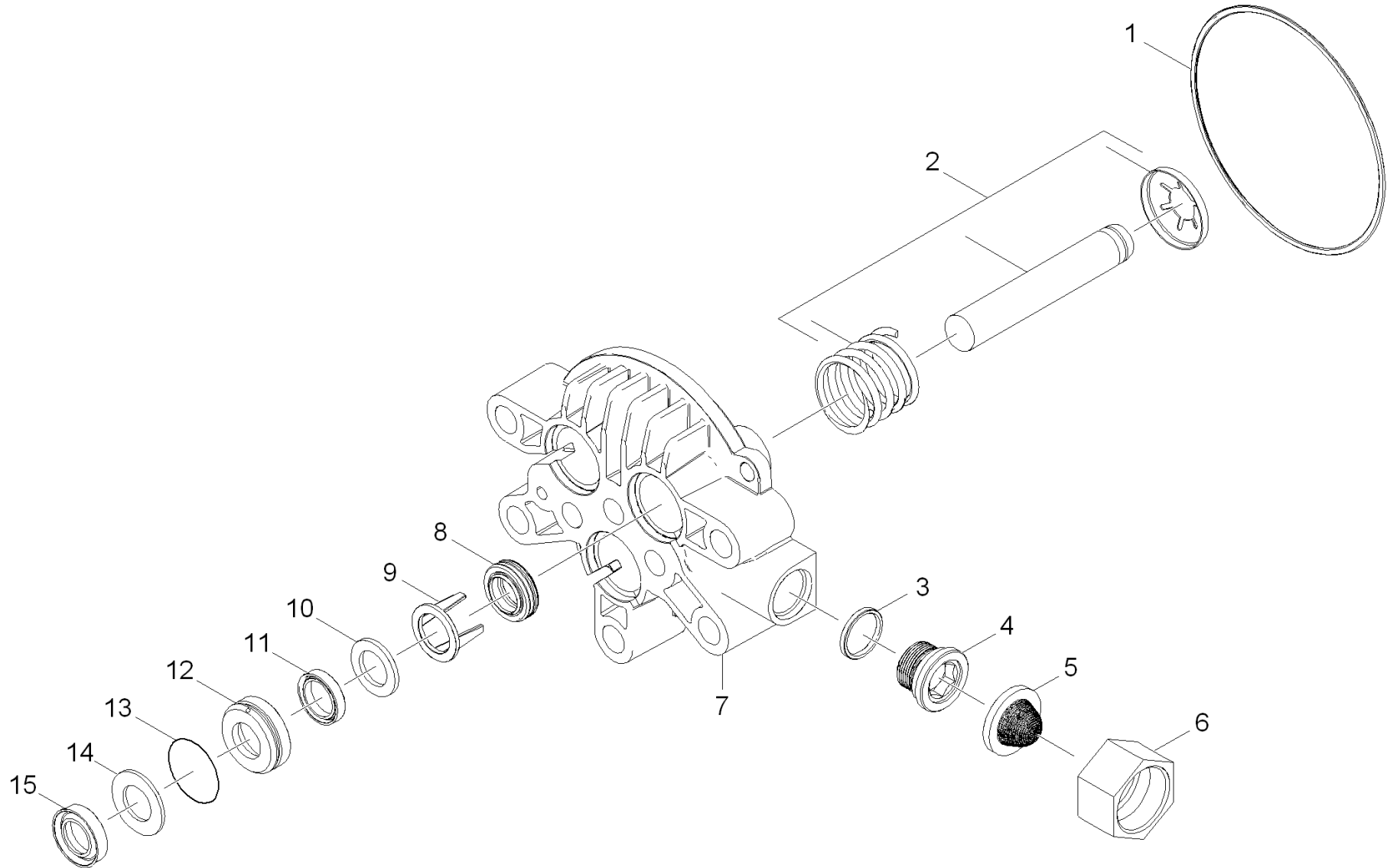


2.1 Cylinder head

POS	DESCRIPTION ADDITIONAL INFORMATIONS	PART NO	QTY.	FROM SER.NR.	UP TO SER. NR.
1	UNLOADER ASSY (9.120-019.0) PUMP	91750110	1		
2	Spare parts set seat excess-current	91393590	1		
3	Plug M22x1	91540470	3		
4	O-Ring seal 14,0x2,0-NBR 80	63624810	3		
5	Valve (3 Stueck)	28845120	1		
	3 QTY.				
6	Nipple chemistry	54434480	1		
7	O-Ring seal 5,28x 1,78	63621750	1		
8	Sphere 7 G40 -1.4401 DIN 5401	74019090	1		
9	Helical spring	53322580	1		
11	Plug M10x1	91540490	1		
12	RUPTURE DISK, 5000 psi	91510140	1		
13	SPARE PART LIST 019 PUMP	91393640	1		
	3 QTY.				
14	Cylinder Head-Machined	91350120	1		
15	Cylinder head screw M10X 80-8.8-A3E IS	73060720	5		
16	THERMAL RELIEF VALVE	91840130	1		
17	O-Ring seal 4 x 2 NBR 90	63628510	1		
18	VALVE PIN-BACK PRESSURE	91840120	1		
19	SPRING-VALVE PIN	91570060	1		
20	O-Ring seal 9,0 x 1,5	63623840	2		
21	Nozzle insert	57691410	1		
22	O-Ring seal 8,0 x 1,0	63624510	1		

2.4 Piston

VERSION 2



2.4 Piston

VERSION 2

POS	DESCRIPTION ADDITIONAL INFORMATIONS	PART NO	QTY.	FROM SER.NR.	UP TO SER. NR.
1	GASKET 92X2 NBR	63630670	1		
2	SPARE PART OF PISTON 9.120-019.0 PUMP	91393580	3		
3	O-Ring seal 15,6 X 1,78	63623900	1		
4	MALE ADAPTER	91340190	1		
5	FILTER SEAL-HOSE CONNECTOR-	91810050	1		
6	FEMALE HOSE CONNECTOR	91550130	1		
7	Piston Guide-4000 psi	91350130	1		
8	Grooved ring 14X22X5/7	63653400	3		
9	SPACER	91823560	3		
10	BACK RING-LOW PRESSURE SEAL	91773110	3		
11	Grooved ring 14x20x4	63654340	3		
12	HOUSING-LOW PRESSURE SEAL	91550140	3		
13	O-Ring seal 24,0 X 1,5	63623760	3		
14	BACK RING-HIGH PRESSURE SEAL-	91773120	3		
15	SEAL HIGH PRESSURE	91773130	3		

3.0 Motor

3.1 Motor

3.2 Transmission

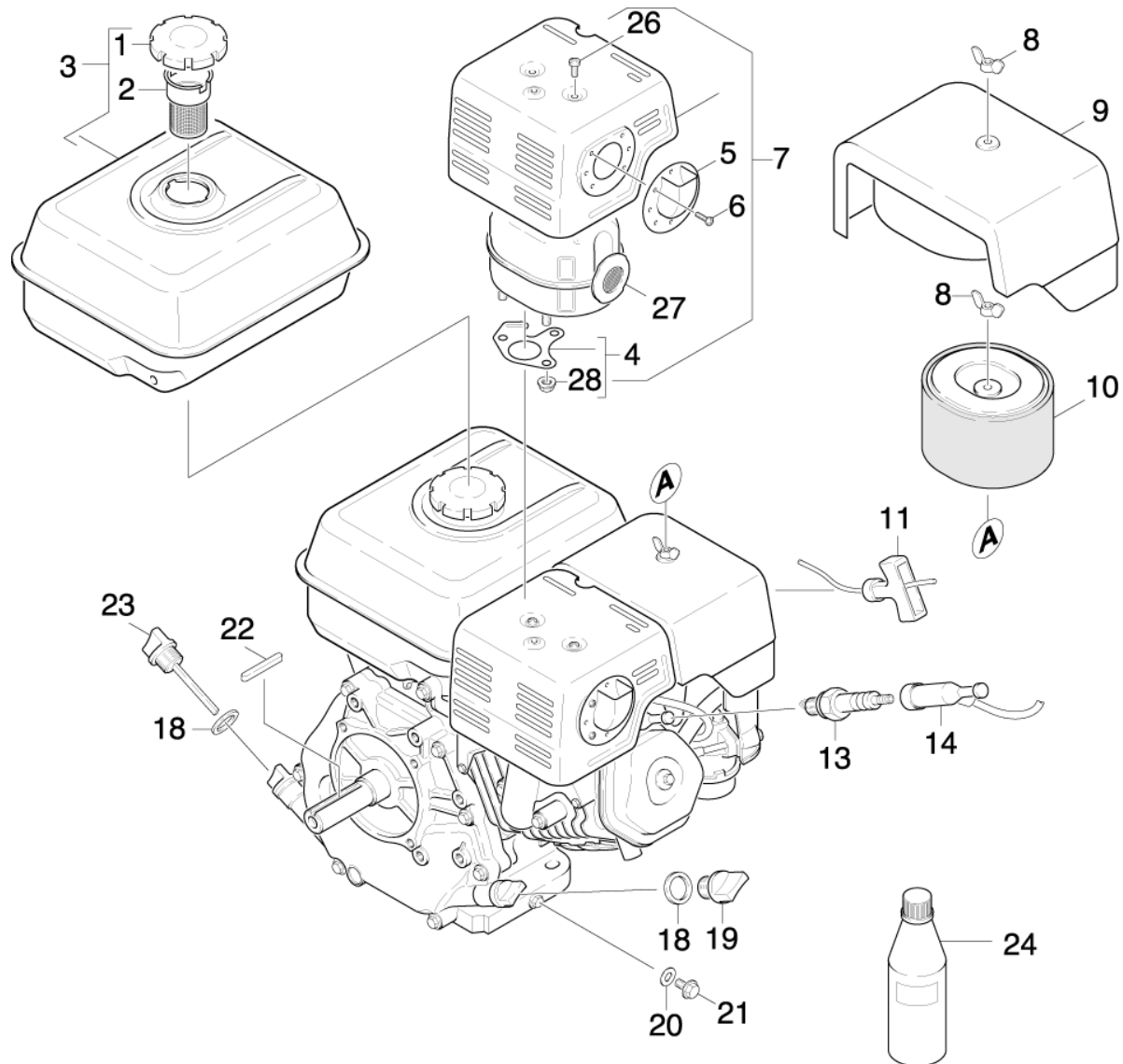
VERSION 1

3.3 Transmission

VERSION 2



3.1 Motor

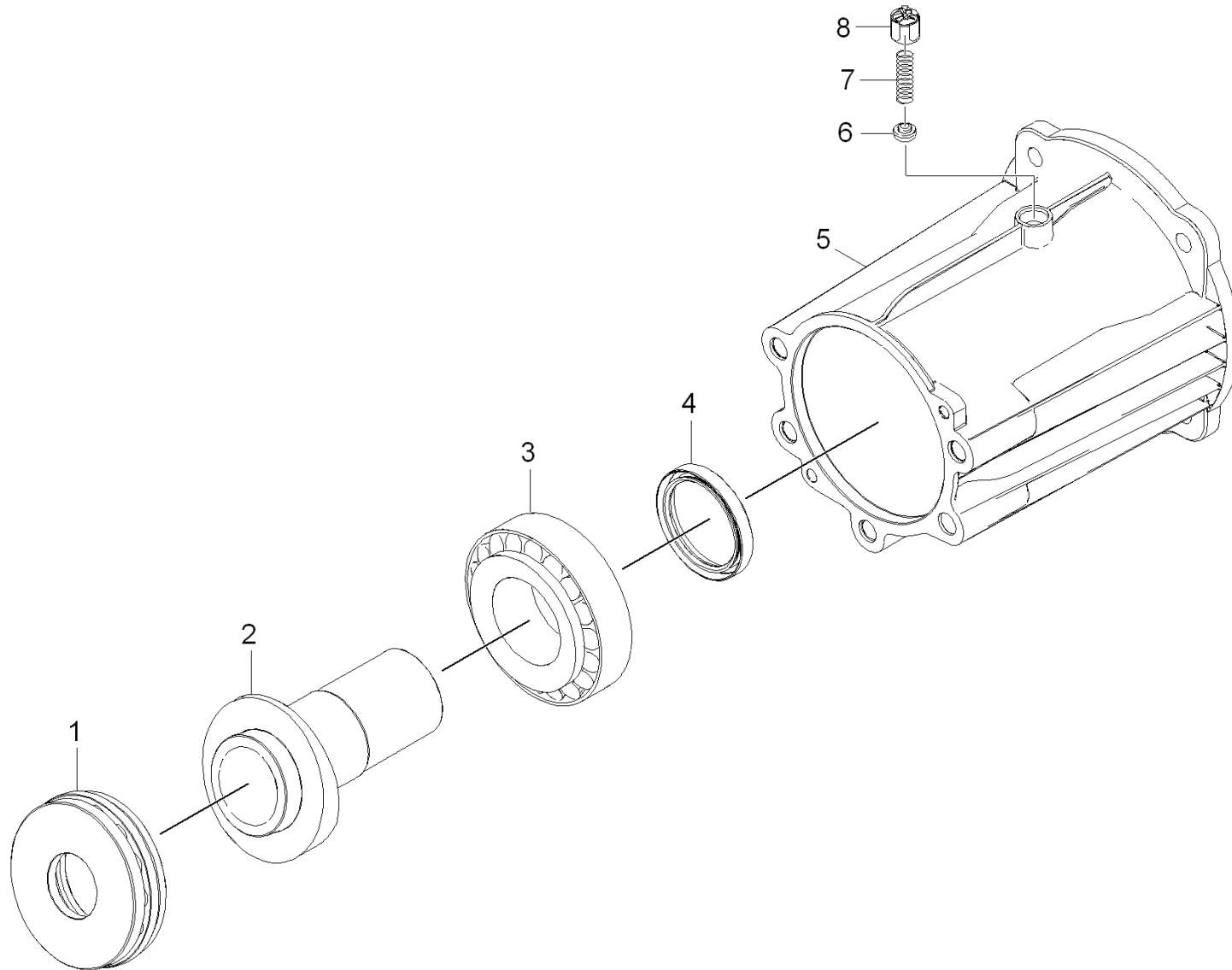


3.1 Motor

POS	DESCRIPTION ADDITIONAL INFORMATIONS	PART NO	QTY.	FROM SER.NR.	UP TO SER. NR.
1	CAP OF A TANK	64913470	1		
2	Filter	91945030	1		
3	Tank	91945010	1		
4	SEAL	64913480	1		
5	Cover exhaust	91945090	1		
6	SCREW M4X6	91945180	1		
7	Cover exhaust	91945070	1		
8	Wing nut	91945220	1		
9	BLOWER COVER	91944990	1		
10	AIR FILTER	64913450	1		
11	Starter rope complete	64913500	1		
13	SPARK PLUG	66180900	1		
14	STARK PLUG CONNECTOR	91945140	1		
18	OELDICHTRING	91944960	2		
19	DRAIN SCREW	91944950	1		
20	WASHER	91945260	1		
21	BOLT	91945200	1		
22	SPRING	64911760	1		
23	OIL DIP ROD	91944920	1		
24	Engine oil 1L	62880500	1		
26	Screw M4x6	91945160	1		
27	Exhaust complete	91945050	1		
28	Nut	91945240	1		

3.3 Transmission

VERSION 2

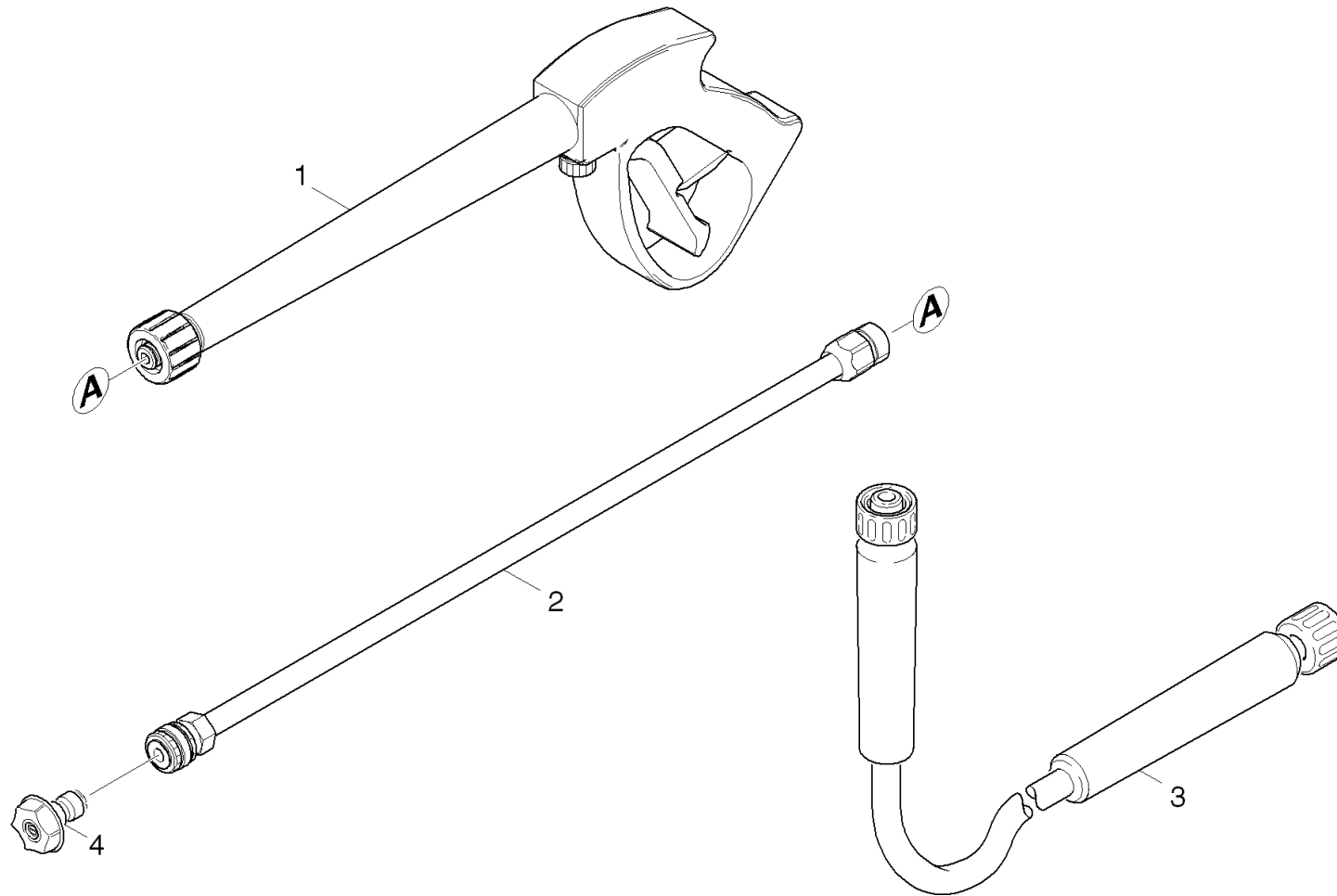


3.3 Transmission

VERSION 2

POS	DESCRIPTION ADDITIONAL INFORMATIONS	PART NO	QTY.	FROM SER.NR.	UP TO SER. NR.
1	Deep groove ball thrust bearing	64013910	1		
2	Swash Plate-Machined	91652560	1		
3	Taper roller bearing 41	64012250	1		
4	Radial shaft seal ring A40x52x7-NBR DIN	73670110	1		
5	Oil Housing-Machined	91350140	1		
6	VALVE DISK	55820800	1		
7	Helical spring	53322090	1		
8	Moulded part	50305330	1		

4.0 Accessories



4.0 Accessories

POS	DESCRIPTION ADDITIONAL INFORMATIONS	PART NO	QTY.	FROM SER.NR.	UP TO SER. NR.
1	AL5 GUN 4000 PSI	91120170	1		
2	LANCE-AL QUICK CONNECT -MALE 4000 PSI	91125270	1		
3	HP HOSE DN8/50'/4000/NOLOGO/BLK/RBR	91623230	1		
4	Q/C NOZZLE KIT (040)	91040300	1		