



Spare parts list

(18104010) G 4000 RH

2008 02

91393520

www.kaercher.com

EN

CONTENT LIST

1.0 Frame

2.0 Pump set

2.1 Cylinder head

VERSION 1

2.2 Cylinder head

VERSION 2

2.3 Piston

VERSION 1

2.4 Piston

VERSION 2

2.5 Chemistry

3.0 Motor

3.1 Motor

3.2 Transmission

VERSION 1

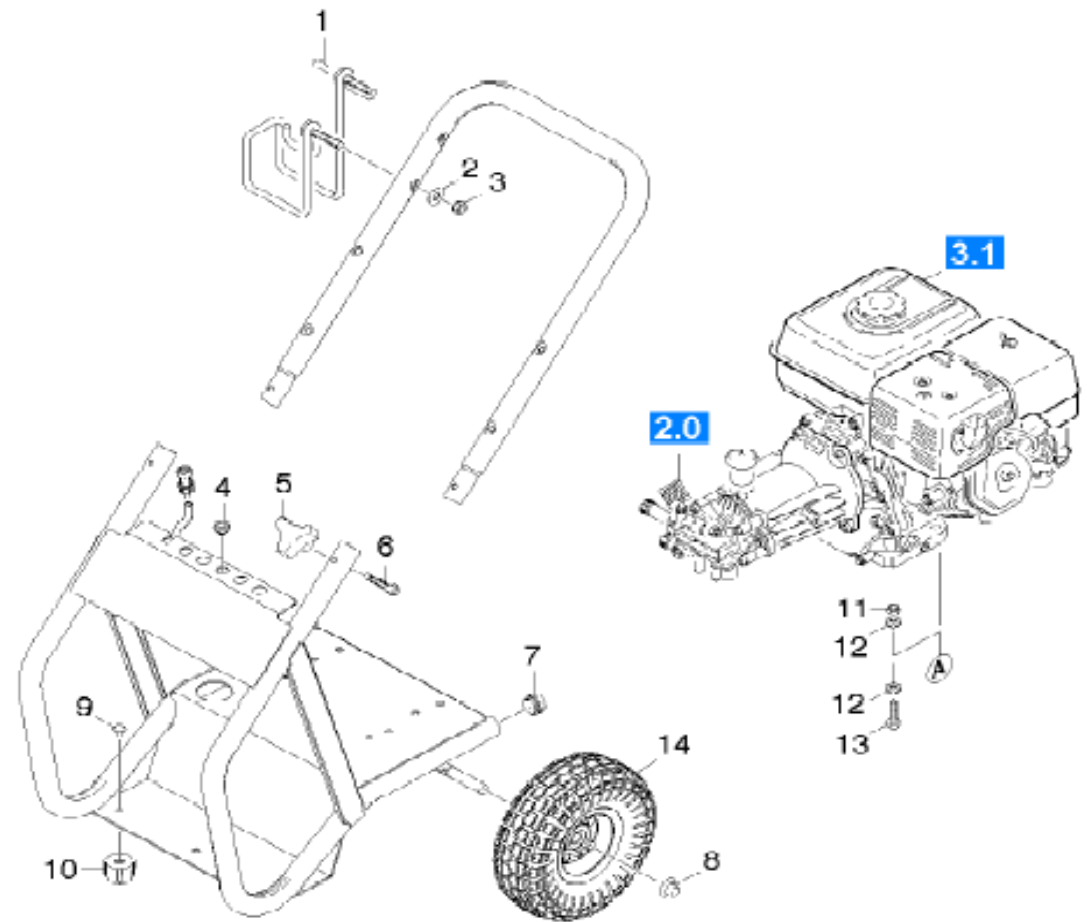
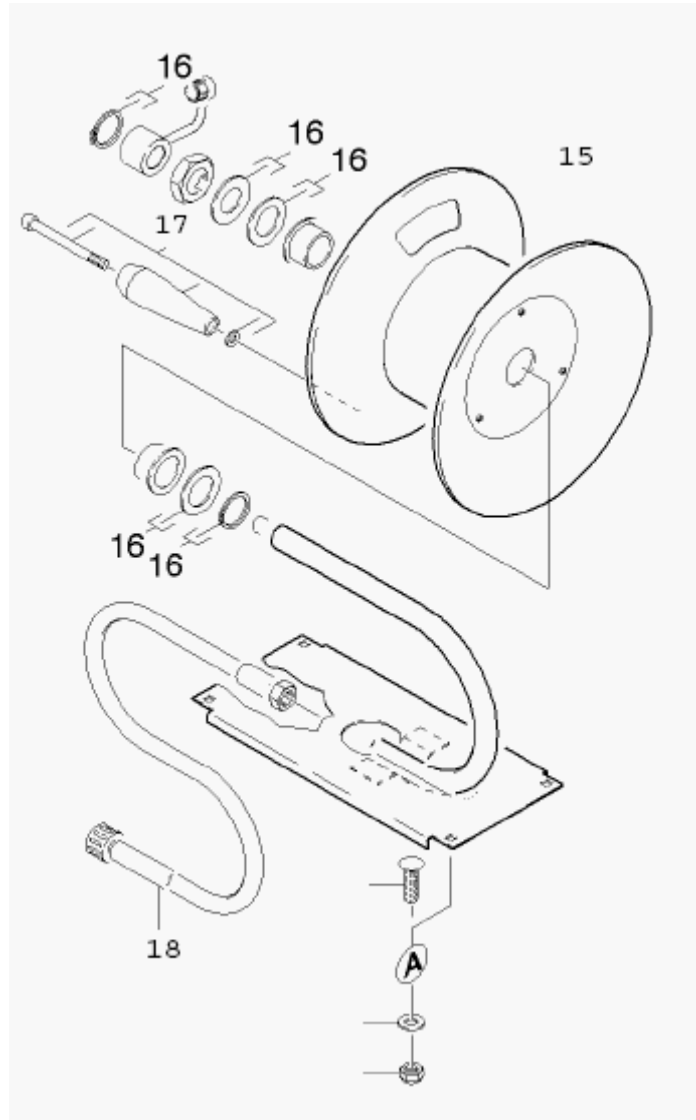
3.3 Transmission

VERSION 2

4.0 Accessories

1.0 Frame

updated 26 Sep 2012



1.0 Frame

updated 26 Sep 2012

POS	DESCRIPTION ADDITIONAL INFORMATIONS	PART NO	QTY.	FROM SER. NR.	UP TO SER. NR.
1	Hanger Weld Assembly 45 deg Right (Solo)	91420090	1		
2	Lock Washer 5/16 Internal .332 ID x .620 OD Zinc	91980030	2		
3	5/16"-18 Finished Hex Nut Zinc	53101050	2		
4	Sleeve Rubber / Nozzle Grommet	91772040	5		
5	Knob 1/4"-20 3 Point Star	91823530	2		
6	1/4"-20 x 1.5 Grade 2 Hex Bolt Zinc	91963070	2		
7	Black Plug Plastic	91830010	2		
8	Cap Black Plastic 5/8" Fastner	91825060	2		
9	5/16"-18 x 1/2 Carriage Bolt A307 Black	91963080	2		
10	Rubber Dampener 5/16"-18 Female 2001	91834050	2		
11	Nut - NO LONGER AVAILABLE		4		
12	Washer - NO LONGER AVAILABLE		8		
13	Bolt - NO LONGER AVAILABLE		4		
14	Wheel	91890070	2		
15	Hose Reel Complete	98012530	1		
16	Hose Reel Seal Kit - Spare Parts Kit	91723030	1		
17	Hose Reel Handle - Spar Parts Kit	91723020	1		
18	HP Jumper Hose 3' 22mmFx3/8"M 3625 PSI / 250 BAR	95580580	1		

2.0 Pump set

2.1 Cylinder head

VERSION 1

2.2 Cylinder head

VERSION 2

2.3 Piston

VERSION 1

2.4 Piston

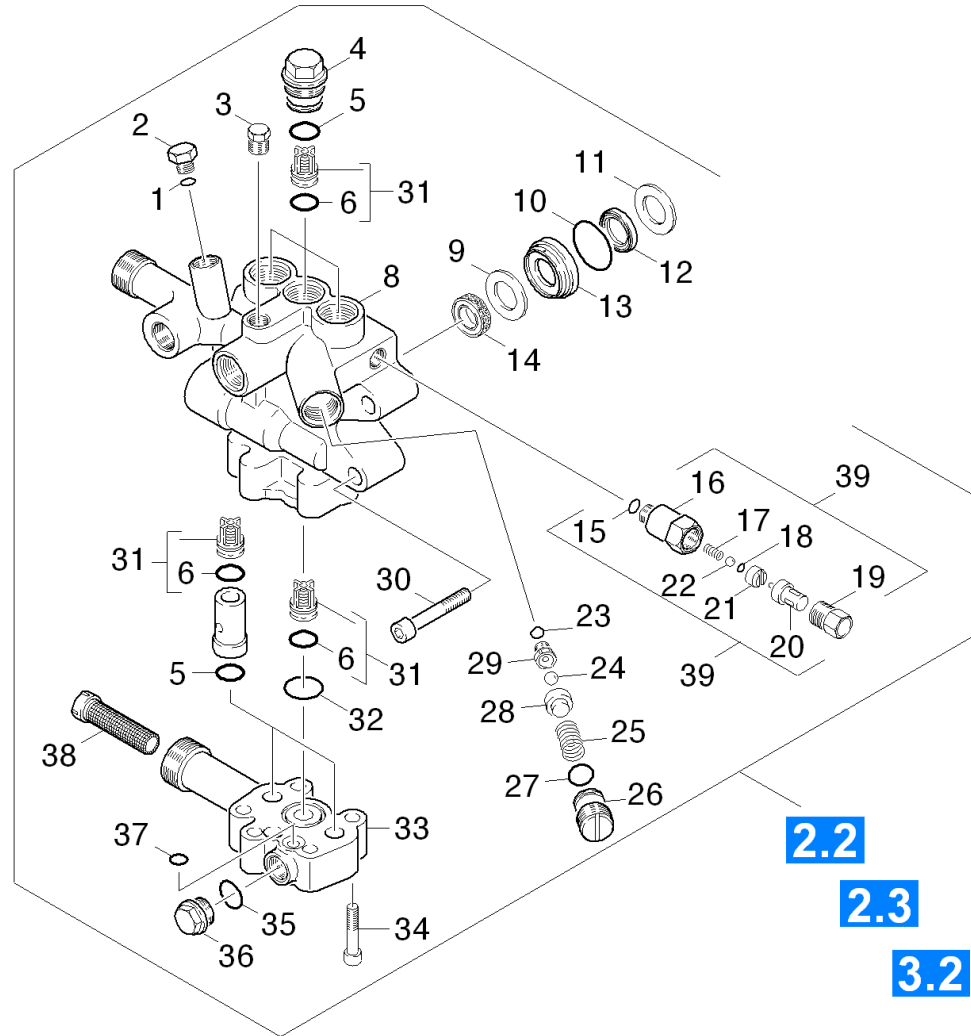
VERSION 2

2.5 Chemistry



2.1 Cylinder head

VERSION 1



2.1 Cylinder head

VERSION 1

POS	DESCRIPTION ADDITIONAL INFORMATIONS	PART NO	QTY.	FROM SER.NR.	UP TO SER. NR.
1	O-Ring seal 6,0 X 2,0	63621130	1		
2	Screw plug	54110700	1		
3	Screw plug R1/8"-CuZn DIN 909	73822740	1		
4	Valve screw	55831460	4		
5	O-Ring seal 14,0x2,0-NBR 80	63624810	6		
6	O-Ring seal 13,0 X 2,0-NBR 90	63630030	6		
8	CYLINDER HEAD	55502730	1		
9	Washer	51154920	3		
10	O-Ring seal 27,5 X 1,5-NBR 70	63623980	3		
11	Washer	51154930	3		
12	Compact seal 16 x 24 x 4	63653510	3		
13	Bush	51124020	3		
14	LIP SEAL 16X24X5.3	63654080	3		
15	O-Ring seal 8 X 2	63621010	1		
16	Screw union	54026370	1		
17	Helical spring	53322330	1		
18	O-Ring seal 4,47x1,78	63628530	1		
19	CLOSING SCREW	54111500	1		
20	VALVE	64130670	1		
21	Washer	51158760	1		
22	Sphere 4,762 KL3-1.4301 DIN 5401	74010090	1		
23	O-Ring seal 6,0x1,5-NBR 70	63627030	1		
24	Sphere 7 G300 -1.4301 DIN 5401	74019080	2		
25	Helical spring	53322030	1		
26	Valve screw	55830890	1		
27	O-Ring seal 12,0 X 2,0	63621690	1		
28	Valve disc	55820750	1		
29	VALVE SEAT	55812180	1		
30	Cylinder head screw M10x70-8.8-A3E ISO4	73061250	4		
31	Valve (3 Stueck)	28845120	1		
32	O-Ring seal 20,0x1,5-NBR 70	63625470	1		
33	Valve housing	50608090	1		

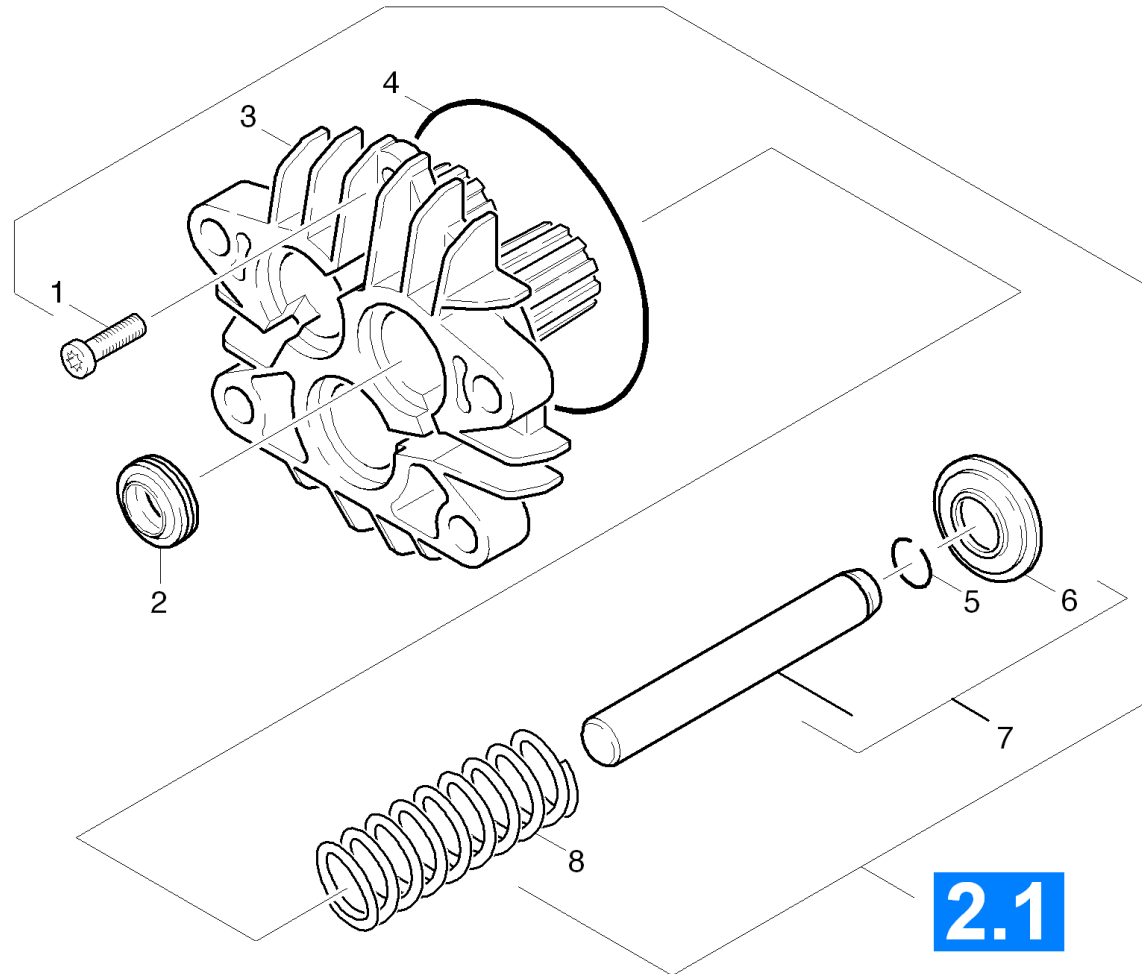
2.1 Cylinder head

VERSION 1

POS	DESCRIPTION ADDITIONAL INFORMATIONS	PART NO	QTY.	FROM SER.NR.	UP TO SER. NR.
34	Cylinder head screw M8x35 -8.8-A2E ISO4	73060440	5		
35	O-Ring seal 15,0x2,0	63624270	1		
36	Screw plug M18x1,5-A-CuZn DIN 7604	73822350	1		
37	O-Ring seal 9,0 x 1,5	63623840	3		
38	Strainer	64142820	1		
39	Therموالve	45803550	1		
100	SPARE PARTS KIT fuer Pumpensatz	28842170	1		

2.3 Piston

VERSION 1

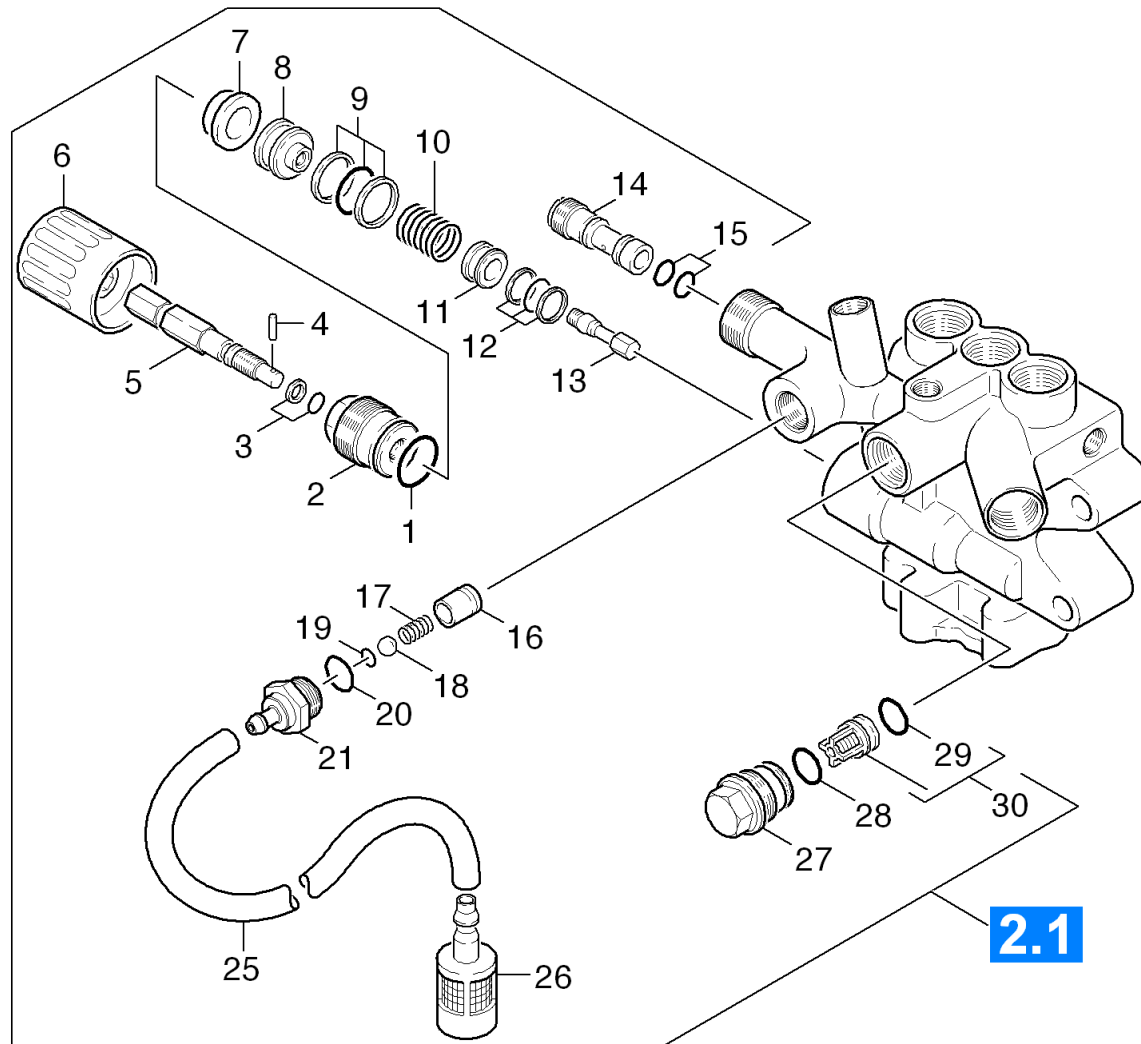


2.3 Piston

VERSION 1

POS	DESCRIPTION ADDITIONAL INFORMATIONS	PART NO	QTY.	FROM SER.NR.	UP TO SER. NR.
1	Screw M6x25 -8.8-R3R (In6Rd)	73060940	2		
2	Grooved ring 16X24X7	63653220	3		
3	Housing	50606760	1		
4	GASKET	63629630	1		
5	Snap ring A16 -FST DIN 7993	73434780	3		
6	WASHER	51156890	3		
7	PISTON COMPLETE-G 4000 SH	91723140	3		
8	HELICAL SPRING	53324030	3		

2.5 Chemistry



2.5 Chemistry

updated 25 Feb 2009

POS	DESCRIPTION ADDITIONAL INFORMATIONS	PART NO	QTY.	FROM SER. NR.	UP TO SER. NR.
1	O-Ring	63629890	1		
2	Valve Screw	55831470	1		
3	O-Ring seal complete 1ST.-R.	63624680	1		
4	Grooved pin 2x10-A1 ISO 8742	73146290	1		
5	Spindle	42910140	1		
6	Handhold	53213070	1		
7	Sleeve	51106300	1		
8	Piston excess-current	55533630	1		
9	Gasket	63629770	1		
10	Spring	53324250	1		
11	Valve Seat	55812140	1		
12	O-Ring seal complete 2ST.-R.	63624500	1		
13	Shaped screw	53052630	1		
14	Nozzle insert	91520030	1		
15	O-Ring seal 9.0 x 1.5	63623840	2		
16	Tube	50286920	1		
17	Helical spring	53321240	1		
18	Sphere 7 G300-1.4301 DIN 5401	74019080	1		
19	O-Ring seal 6.0 x 2.0	63623830	1		
20	O-Ring seal 14.0 x 1.5-NBR 70	63625330	1		
21	Chemical Nipple	91540390	1		
25	Hose DN 5	91621010	1		
	TO ORDER AS CUT GOODS				
26	Filter with weight	57316090	1		
27	Valve Screw	55831460	1		
28	O-Ring seal 14.0x2.0-NBR 80	63624810	1		
29	O-Ring seal 13.0x2.0	63623810	1		
30	Valve complete	45803230	1		

3.0 Motor

3.1 Motor

3.2 Transmission

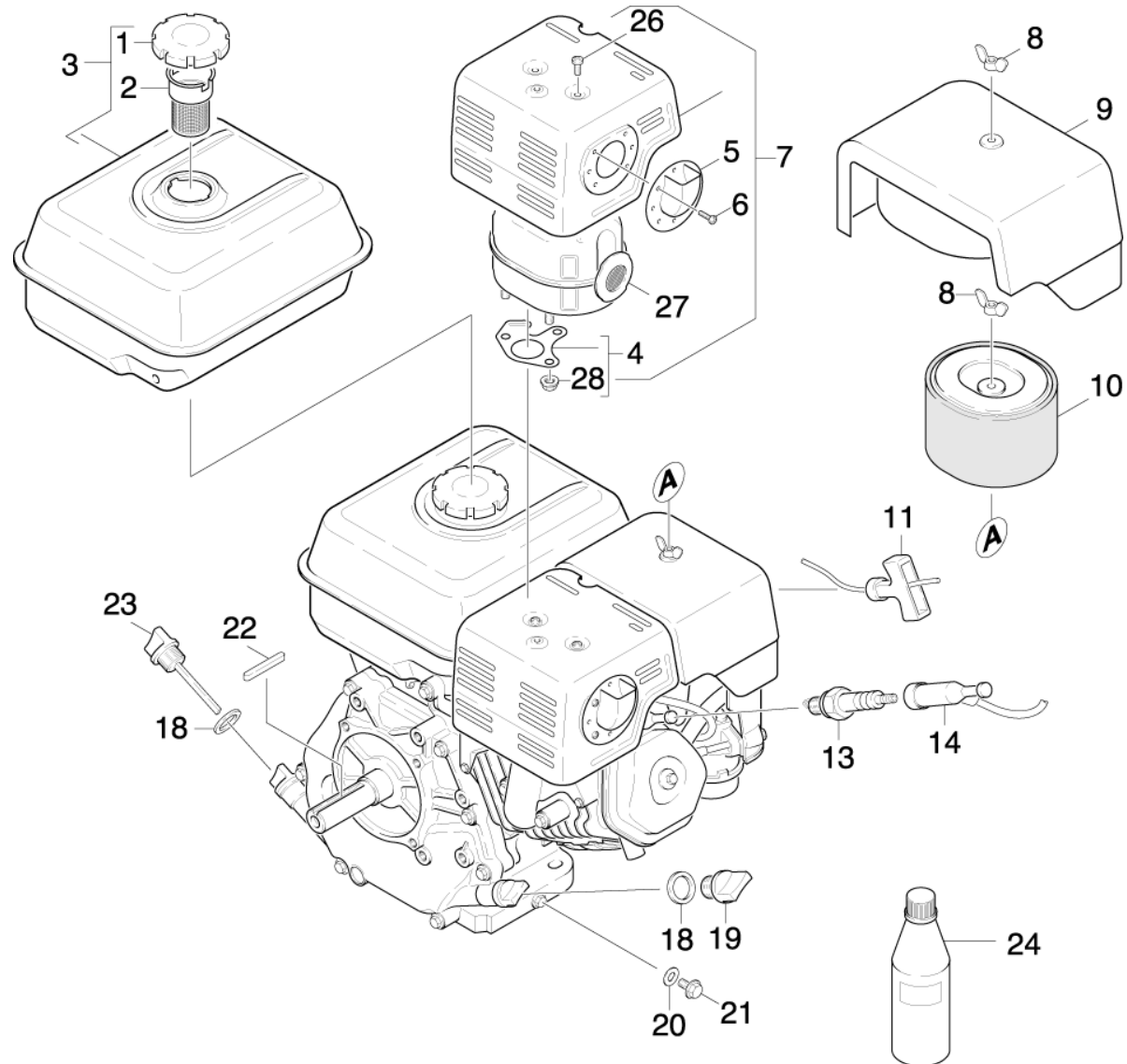
VERSION 1

3.3 Transmission

VERSION 2



3.1 Motor

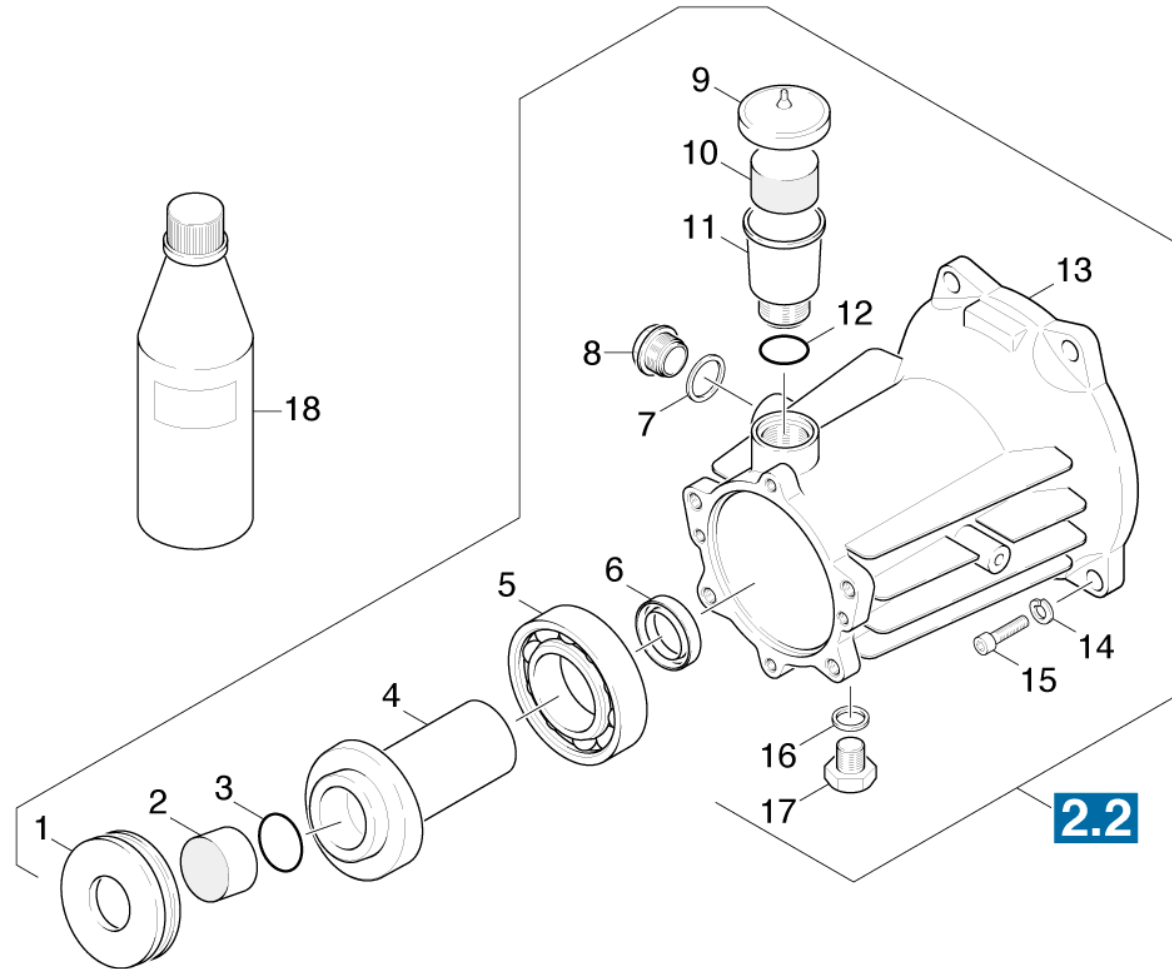


3.1 Motor

POS	DESCRIPTION ADDITIONAL INFORMATIONS	PART NO	QTY.	FROM SER.NR.	UP TO SER. NR.
1	CAP OF A TANK	64913470	1		
2	Filter	91945030	1		
3	Tank	91945010	1		
4	SEAL	64913480	1		
5	Cover exhaust	91945090	1		
6	SCREW M4X6	91945180	1		
7	Cover exhaust	91945070	1		
8	Wing nut	91945220	1		
9	BLOWER COVER	91944990	1		
10	AIR FILTER	64913450	1		
11	Starter rope complete	64913500	1		
13	SPARK PLUG	66180900	1		
14	STARK PLUG CONNECTOR	91945140	1		
18	OELDICHTRING	91944960	2		
19	DRAIN SCREW	91944950	1		
20	WASHER	91945260	1		
21	BOLT	91945200	1		
22	SPRING	64911760	1		
23	OIL DIP ROD	91944920	1		
24	Engine oil 1L	62880500	1		
26	Screw M4x6	91945160	1		
27	Exhaust complete	91945050	1		
28	Nut	91945240	1		

3.2 Transmission

VERSION 1

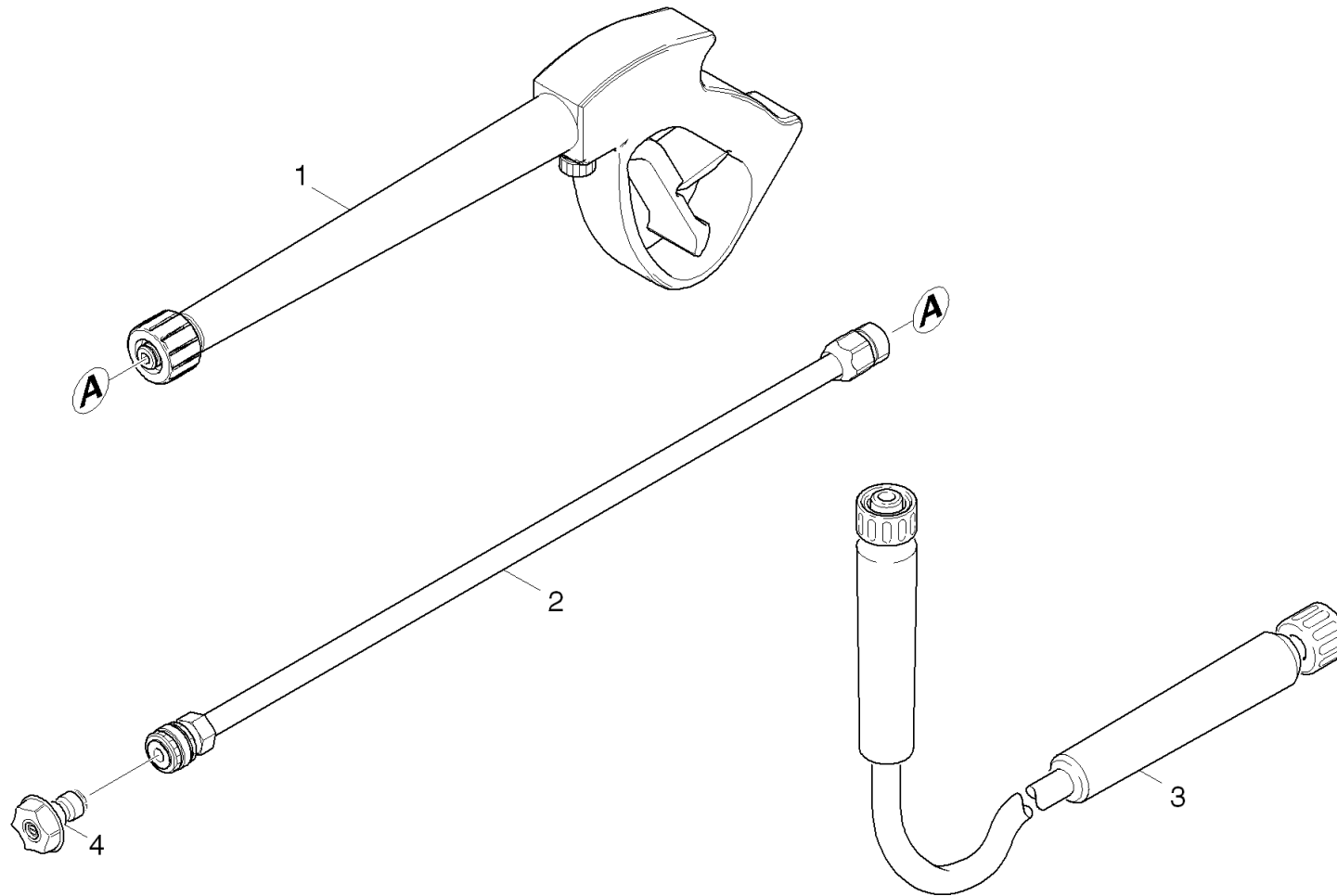


3.2 Transmission

VERSION 1

POS	DESCRIPTION ADDITIONAL INFORMATIONS	PART NO	QTY.	FROM SER.NR.	UP TO SER. NR.
1	Axial roller bearing	64013340	1		
2	PLUG	51321440	1		
3	O-Ring seal 28,0 X 2,0 NBR 70	63628100	1		
4	Swash plate	91652550	1		
5	Taper roller bearing 41	64012250	1		
6	Radial shaft seal ring A40x52x7-NBR DIN	73670110	1		
7	Seal	63625850	1		
8	Screw plug	54110620	1		
9	Cover	50636510	1		
10	Plug	51321070	1		
11	Tank	50701940	1		
12	O-Ring seal 22,3 X 2,4-NBR 70	63621680	1		
13	Housing	50608270	1		
14	Washer	63120660	4		
15	Stockpiling discontinued	77779990	4		
16	Joint ring 14x18-CU DIN 7603	73620050	1		
17	Screw plug M14x1,5-A-CuZn DIN 7604	73822330	1		
18	Engine oil 1L	62880500	1		

4.0 Accessories



4.0 Accessories

POS	DESCRIPTION ADDITIONAL INFORMATIONS	PART NO	QTY.	FROM SER.NR.	UP TO SER. NR.
1	AL5 GUN 4000 PSI	91120170	1		
2	LANCE-AL QUICK CONNECT -MALE 4000 PSI	91125270	1		
3	HP HOSE DN8/50'/4000/NOLOGO/BLK/RBR	91623230	1		
4	Q/C NOZZLE KIT (040)	91040300	1		