

Spare parts list

(1.107-267.0) G 3200 OH

Table of contents

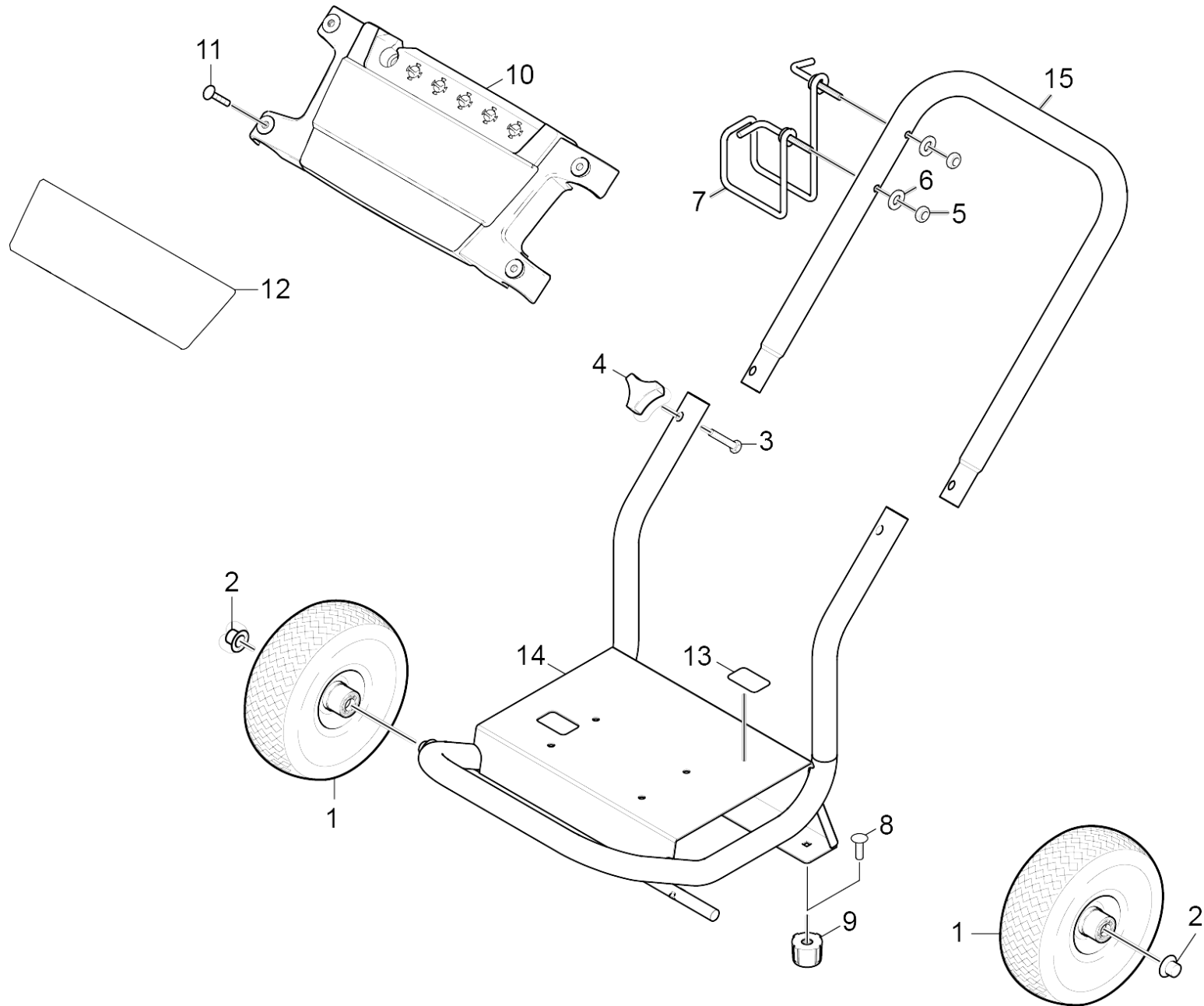
G 3200 OH (1.107-267.0)	3
10 SPARE PARTS LIST, G 3200 OH	4
10 FRAME	5
20 PUMP SET	7
21 CYLINDER HEAD (8.921-430.0)	8
8 SPARE PART LIST NOZZLE INS 020/021 PUMP (9.139-372.0)	10
9 Spare part set chemistry (2.883-862.0)	12
10 Drain plug only for replacement (4.132-007.0)	14
11 Valve (3 Stück) (2.884-916.0)	16
22 PISTON (8.921-431.0)	18
30 Motor	20
31 Motor	21
32 Transmission	23
33 TRANSMISSION	25
40 ACCESSORIES	27

G 3200 OH (1.107-267.0)

POS	Description	Quantity	Unit
10	SPARE PARTS LIST, G 3200 OH	1.000	ST

10 SPARE PARTS LIST, G 3200 OH

POS	Description	Quantity	Unit
10	FRAME	1.000	ST
20	PUMP SET	1.000	ST
30	Motor	1.000	ST
40	ACCESSORIES	1.000	ST

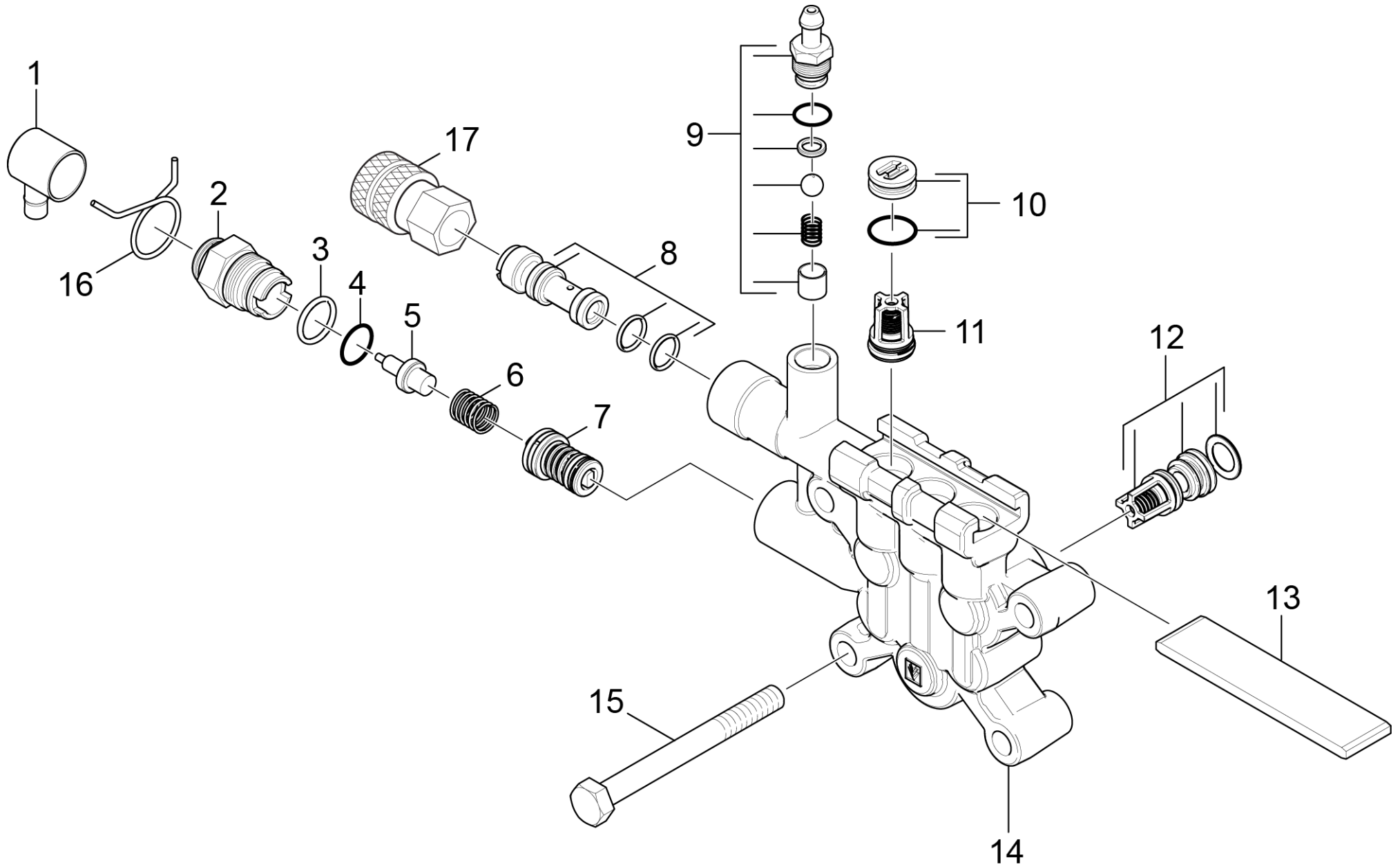


10 FRAME

POS	Article no.	Description	Quantity	Unit	Remark	Foot note text
1	8.754-186.0	QH WHEEL ASSY, 10" GRAY STEEL RIM W/TUB	2.000	ST		ARTICLE ONLY AVAILABLE AT KNA
2	9.182-506.0	CAP BLACK PLASTIC,5/8"FASTENER	2.000	ST		ARTICLE ONLY AVAILABLE AT KNA
3	9.196-307.0	1/4-20 x 1-1/2 GR 2 HEX BOLT ZINC	2.000	ST		ARTICLE ONLY AVAILABLE AT KNA
4	9.182-353.0	KNOB 1/4"-20,3PT. STAR	2.000	ST		ARTICLE ONLY AVAILABLE AT KNA
5	9.802-786.0	*NUT, 5/16, HEX, NC	2.000	ST		ARTICLE ONLY AVAILABLE AT KNA
6	9.198-003.0	5/16 INTERNAL L/W .332 ID X .620 OD ZINC	2.000	ST		ARTICLE ONLY AVAILABLE AT KNA
7	9.142-015.0	HANGER LT SIDE	1.000	ST	G 3500 OHT	ARTICLE ONLY AVAILABLE AT KNA
7	9.142-014.0	HANGER RT SIDE	1.000	ST		ARTICLE ONLY AVAILABLE AT KNA
8	9.196-052.0	Hex Flange Cap Screw 5/16-18 x 3/4"	2.000	ST		ARTICLE ONLY AVAILABLE AT KNA
9	9.183-411.0	Rubber buffer	2.000	ST		ARTICLE ONLY AVAILABLE AT KNA
10	9.134-033.0	Name Plate without nozzle holes	1.000	ST	G 2800 OC	ARTICLE ONLY AVAILABLE AT KNA
10	9.134-022.0	Name plate	1.000	ST	G 3200 OC & G 3200 OCT	ARTICLE ONLY AVAILABLE AT KNA
11	9.196-049.0	Nylon Rivet	1.000	ST		ARTICLE ONLY AVAILABLE AT KNA
12		LABEL, G 2800 OH TOP PLATE 5 NOZZLES	1.000	ST	G 2800 OH	ARTICLE ONLY AVAILABLE AT KNA
12	8.754-279.0	LABEL, G 3200 OCT TOP PLATE 5 NOZZLES	1.000	ST	G 3200 OCT	ARTICLE ONLY AVAILABLE AT KNA
12	8.755-065.0	LABEL, G 3200 OH TOP PLATE 5 NOZZLES	1.000	ST	G 3200 OH	ARTICLE ONLY AVAILABLE AT KNA
12	8.754-277.0	LABEL, G 2800 OC, TOP PLATE	1.000	ST	G 2800 OC	ARTICLE ONLY AVAILABLE AT KNA
12	8.754-278.0	LABEL, G 3200 OC TOP PLATE 5 NOZZLES	1.000	ST	G 3200 OC	ARTICLE ONLY AVAILABLE AT KNA
13	5.387-620.0	Warning sticker-Prevent from freezing	1.000	ST		ARTICLE ONLY AVAILABLE AT KNA
14	8.923-155.0	POWDER COATED FRAME-O4-TITANIUM	1.000	ST		ARTICLE ONLY AVAILABLE AT KNA
15	8.923-156.0	Powder Coated Handle 05-TITANIUM Ga18	1.000	ST		ARTICLE ONLY AVAILABLE AT KNA

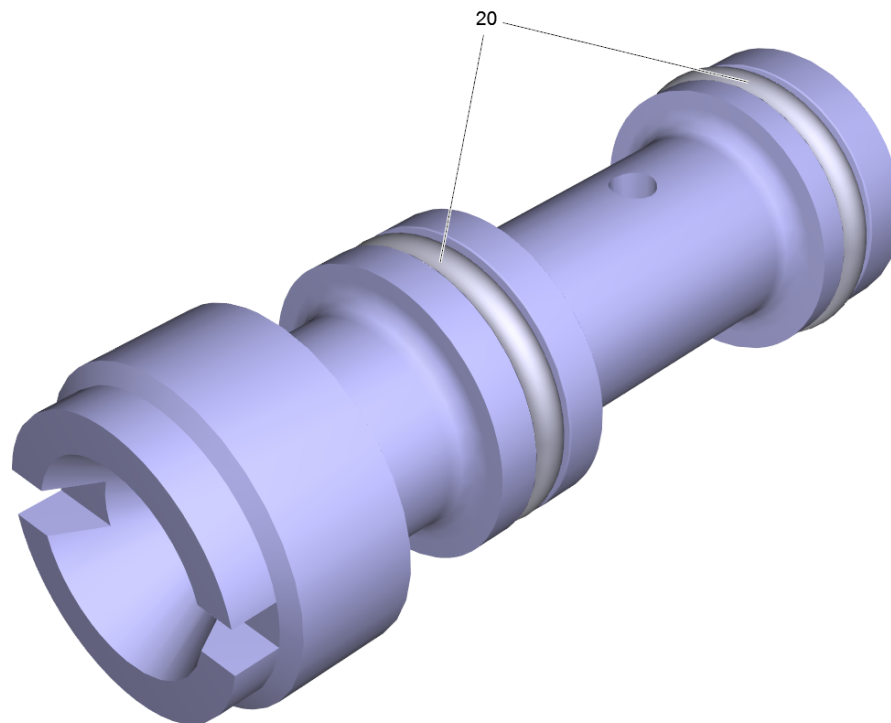
20 PUMP SET

POS	Article no.	Description	Quantity	Unit	Foot note text
21	8.921-430.0	CYLINDER HEAD	1.000	ST	ARTICLE ONLY AVAILABLE AT KNA
22	8.921-431.0	PISTON	1.000	ST	ARTICLE ONLY AVAILABLE AT KNA



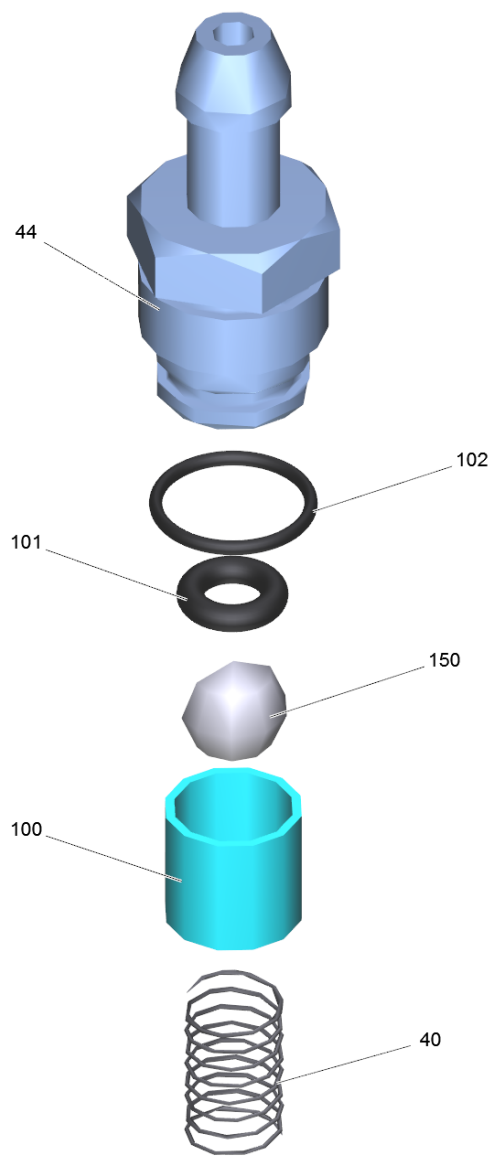
21 CYLINDER HEAD (8.921-430.0)

POS	Article no.	Description	Quantity	Unit	Foot note text
1	8.752-076.0	VALVE, THERMAL COVER-LONG	1.000	ST	ARTICLE ONLY AVAILABLE AT KNA
2	9.184-018.0	Valve screw	1.000	ST	ARTICLE ONLY AVAILABLE AT KNA
3	6.362-480.0	O-Ring seal 12,42x 1,78	1.000	ST	ARTICLE ONLY AVAILABLE AT KNA
4	7.362-507.0	O-Ring seal 8x2-NBR 90 DIN 3770	1.000	ST	ARTICLE ONLY AVAILABLE AT KNA
5	6.413-403.0	Therموالve 60°	1.000	ST	ARTICLE ONLY AVAILABLE AT KNA
6	5.332-290.0	Helical spring	1.000	ST	ARTICLE ONLY AVAILABLE AT KNA
7	9.175-005.0	Unloader Assembly	1.000	ST	ARTICLE ONLY AVAILABLE AT KNA
8	9.139-372.0	SPARE PART LIST NOZZLE INS 020/021 PUMP	1.000	ST	ARTICLE ONLY AVAILABLE AT KNA
9	2.883-862.0	Spare part set chemistry	1.000	ST	ARTICLE ONLY AVAILABLE AT KNA
10	4.132-007.0	Drain plug only for replacement	3.000	ST	ARTICLE ONLY AVAILABLE AT KNA
11	2.884-916.0	Valve (3 Stück)	1.000	ST	ARTICLE ONLY AVAILABLE AT KNA
12	9.139-376.0	Valve 3 St.	1.000	ST	ARTICLE ONLY AVAILABLE AT KNA
13	5.003-062.0	Plate	1.000	ST	ARTICLE ONLY AVAILABLE AT KNA
14	9.135-015.0	Cylinder Head-Machined	1.000	ST	ARTICLE ONLY AVAILABLE AT KNA
15	7.304-098.0	Hexagonal head screw M8x80-8.8-A2E ISO	4.000	ST	ARTICLE ONLY AVAILABLE AT KNA
16	8.752-032.0	CLAMP, TENSION SPRING OD 11/16"	1.000	ST	ARTICLE ONLY AVAILABLE AT KNA
17	9.154-045.0	Quick Connect	1.000	ST	ARTICLE ONLY AVAILABLE AT KNA



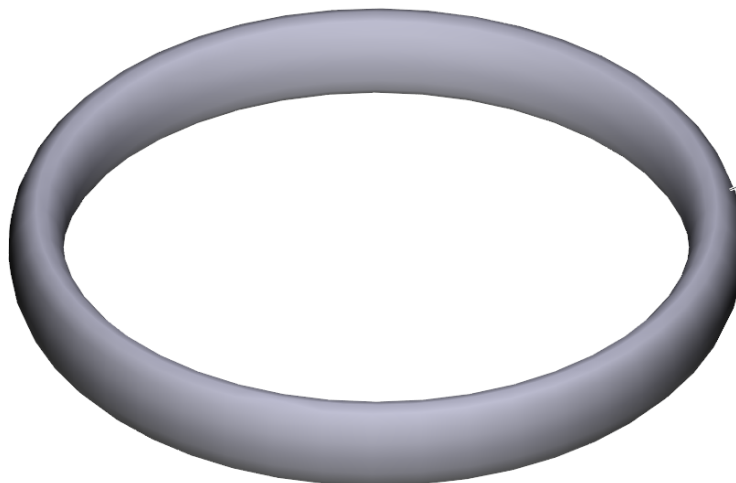
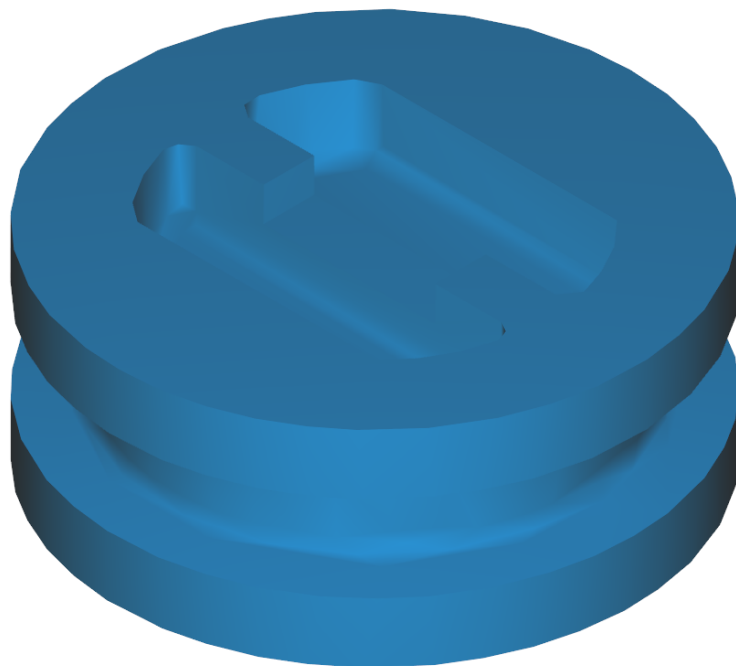
8 SPARE PART LIST NOZZLE INS 020/021 PUMP (9.139-372.0)

POS	Article no.	Description	Quantity	Unit
20	6.362-384.0	O-Ring seal 9x1,5 - NBR 70	2.000	ST



9 Spare part set chemistry (2.883-862.0)

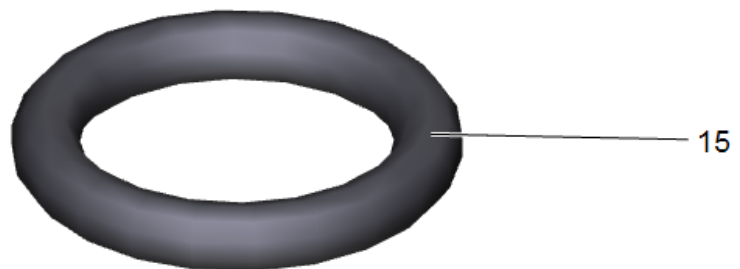
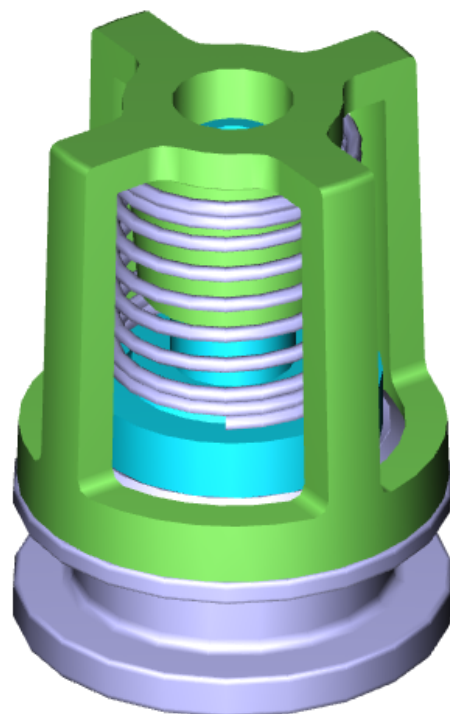
POS	Article no.	Description	Quantity	Unit
40	5.332-258.0	Helical spring	1.000	ST
44	5.443-448.0	Nipple chemistry	1.000	ST
100	5.110-714.0	Sleeve	1.000	ST
101	6.363-597.0	O-Ring seal 5,28 x 1,78	1.000	ST
102	6.362-451.0	O-Ring seal 8,0 x 1,0	1.000	ST
110	6.376-036.0	Label spare parts neutrally 65x55 MM	1.000	ZST
130	6.590-355.0	Bag PE 130x140 mm neutral	1.000	ST
150	7.401-908.0	Sphere 7 G300 -1.4301 DIN 5401	1.000	ST



18

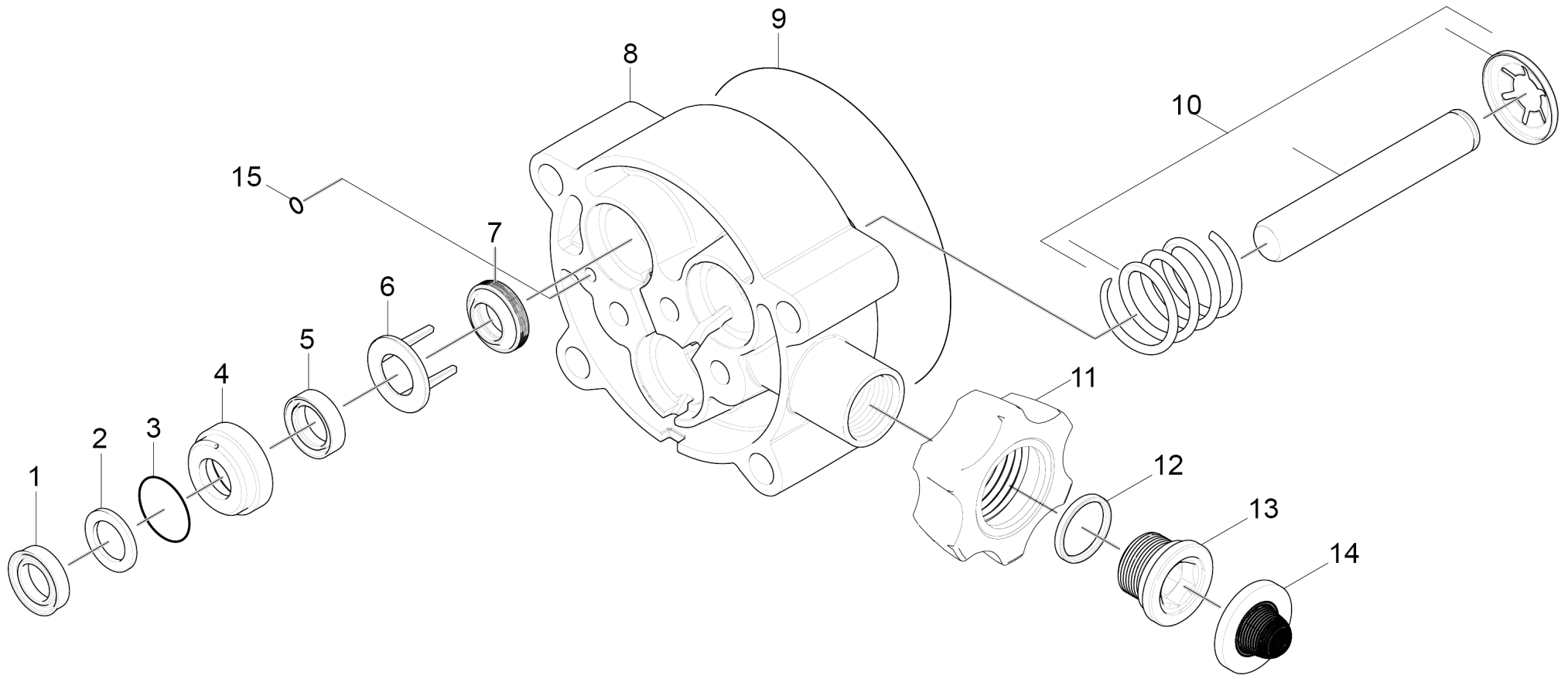
10 Drain plug only for replacement (4.132-007.0)

POS	Article no.	Description	Quantity	Unit
18	6.362-458.0	O-Ring seal 11,0x2,0-NBR 70	1.000	ST



11 Valve (3 Stück) (2.884-916.0)

POS	Article no.	Description	Quantity	Unit
15	6.362-077.0	O-Ring seal 10 x 2,2 NBR 70	1.000	ST

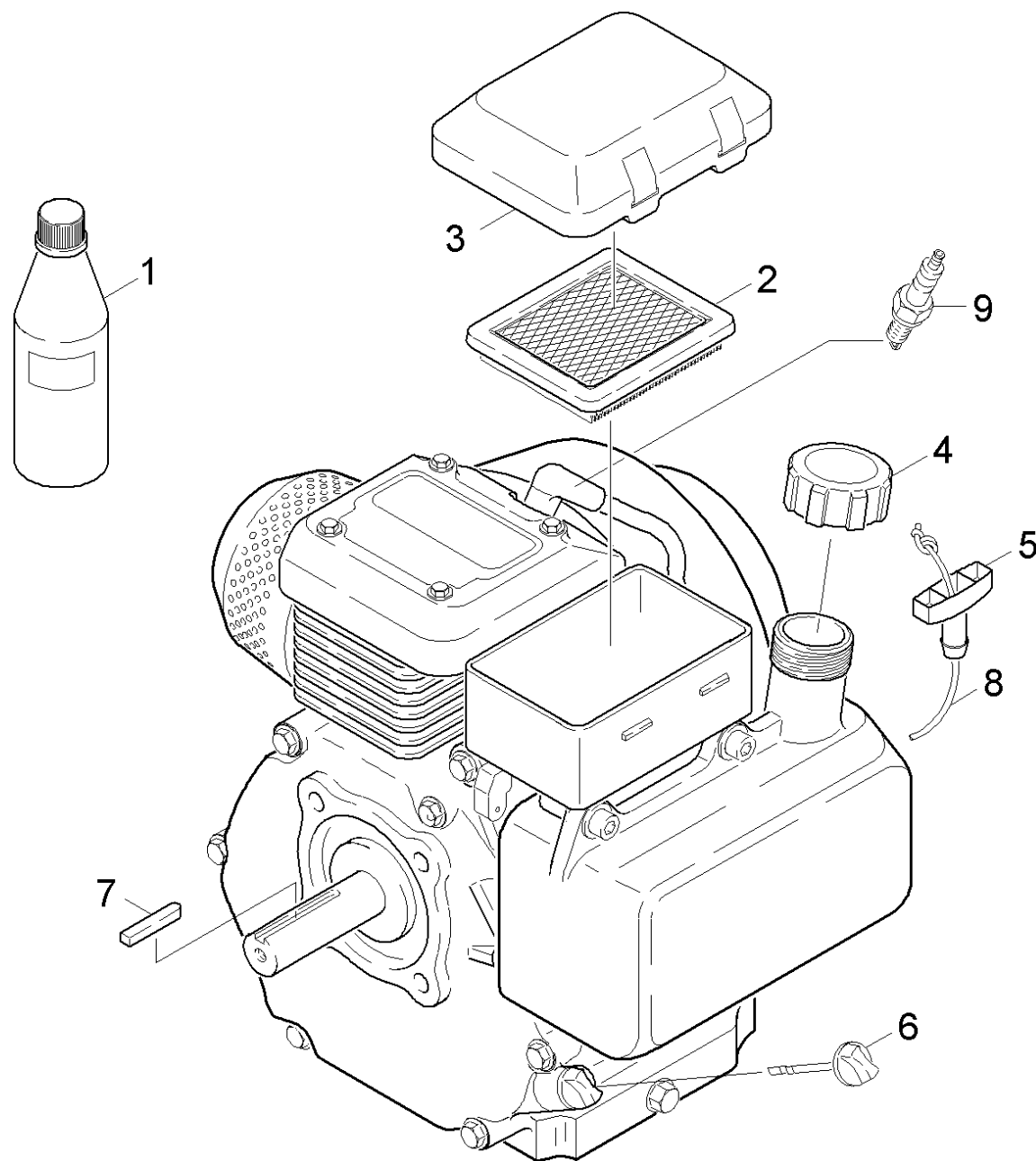


22 PISTON (8.921-431.0)

POS	Article no.	Description	Quantity	Unit	Foot note text
1	9.177-301.0	HIGH PRESSURE SEAL	3.000	ST	ARTICLE ONLY AVAILABLE AT KNA
2	9.177-310.0	BACK RING-HIGH PRESSURE SEAL-	3.000	ST	ARTICLE ONLY AVAILABLE AT KNA
3	6.362-833.0	O-Ring seal 21,5 x 1,78	3.000	ST	ARTICLE ONLY AVAILABLE AT KNA
4	9.155-011.0	HOUSING-LOW PRESSURE SEAL	3.000	ST	ARTICLE ONLY AVAILABLE AT KNA
5	6.363-058.0	Grooved ring 12x18x5 (90Shore)	3.000	ST	ARTICLE ONLY AVAILABLE AT KNA
6	9.134-016.0	SPACER-OIL SEAL & SEAL HSG.	3.000	ST	ARTICLE ONLY AVAILABLE AT KNA
7	6.365-393.0	Oil sealing 12x20x4/6	3.000	ST	ARTICLE ONLY AVAILABLE AT KNA
8	9.133-007.0	Piston Guide-Machined	1.000	ST	ARTICLE ONLY AVAILABLE AT KNA
9	6.362-471.0	O-Ring seal 80,0 X 3,0 -NBR 70	1.000	ST	ARTICLE ONLY AVAILABLE AT KNA
10	9.139-370.0	SPARE PART LIST PISTON 020/021 PUMP	3.000	ST	ARTICLE ONLY AVAILABLE AT KNA
11	9.154-044.0	Nut, Garden hose connector	1.000	ST	ARTICLE ONLY AVAILABLE AT KNA
12	6.362-390.0	O-Ring seal 15,6 X 1,78	1.000	ST	ARTICLE ONLY AVAILABLE AT KNA
13	9.134-019.0	MALE ADAPTER	1.000	ST	ARTICLE ONLY AVAILABLE AT KNA
14	9.181-005.0	FILTER SEAL-HOSE CONNECTOR-	1.000	ST	ARTICLE ONLY AVAILABLE AT KNA
15	6.363-626.0	O-Ring seal 4,47x1,78 -NBR90	1.000	ST	ARTICLE ONLY AVAILABLE AT KNA

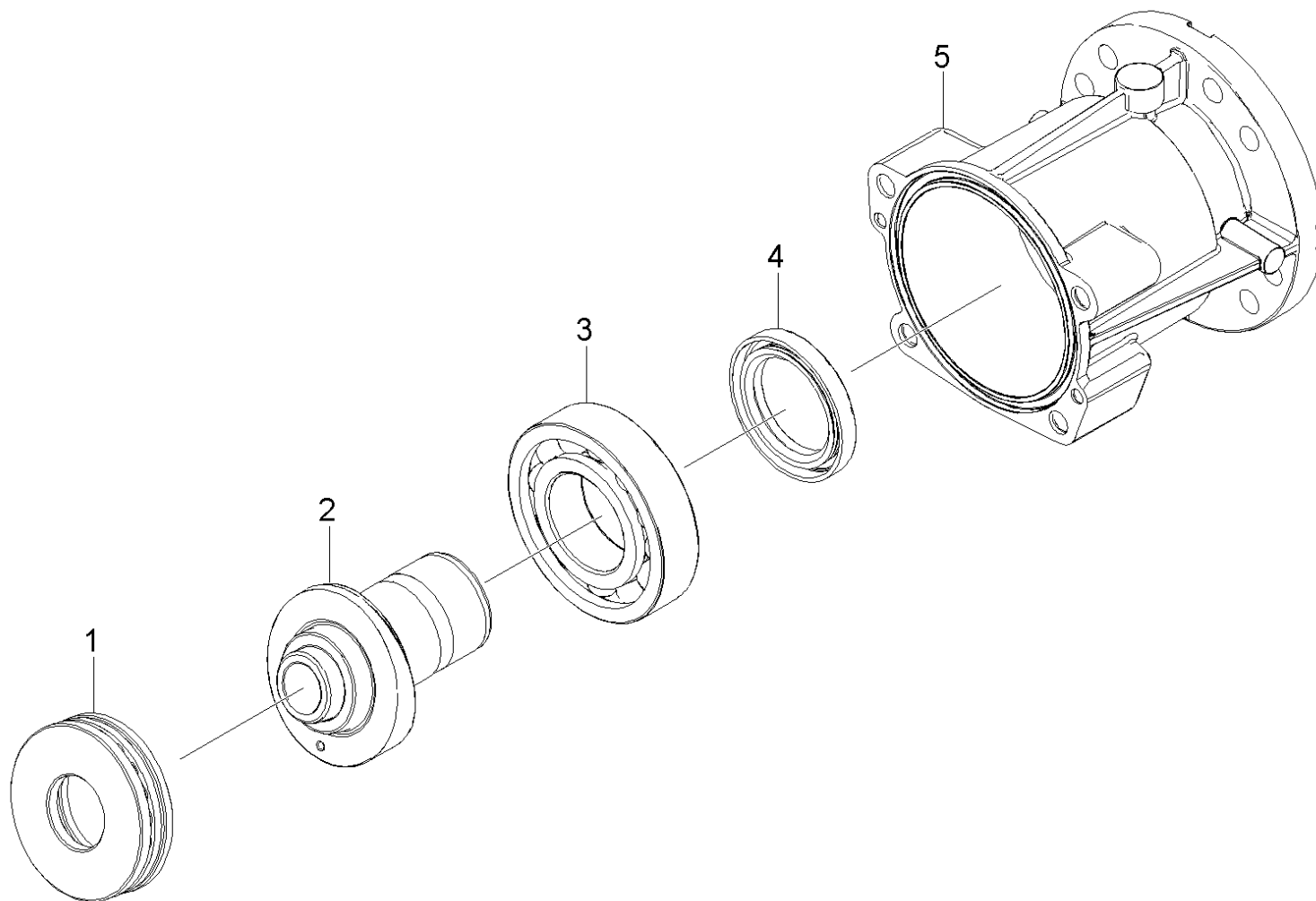
30 Motor

POS	Description	Quantity	Unit	Remark
31	Motor	1.000	ST	
32	Transmission	1.000	ST	VERSION 1
33	TRANSMISSION	1.000	ST	VERSION 2



31 Motor

POS	Article no.	Description	Quantity	Unit
1	6.288-050.0	Engine oil 1L	1.000	ST
2	6.491-726.0	Air filter insert	1.000	ST
3	9.194-543.0	Cover	1.000	ST
4	6.491-723.0	Cap of a tank	1.000	ST
5	6.491-503.0	Handhold	1.000	ST
6	9.194-531.0	OIL DIP ROD	1.000	ST
7	9.194-883.0	Shaft key 3/16"SQx1.5"	1.000	ST
8	6.491-546.0	Pull cord	1.000	ST
9	6.491-550.0	Ignition plug BPR6ES	1.000	ST



33 TRANSMISSION

POS	Article no.	Description	Quantity	Unit
1	9.165-355.0	GROOVED BALL BEARING	1.000	ST
2	9.135-018.0	Swash Plate Horizontal-Machined	1.000	ST
3	9.165-356.0	BALL BEARING NO. 6207	1.000	ST
4	9.177-314.0	Radial Seal, 35x52x7	1.000	ST
5	9.135-016.0	Oil Housing Vertical Machined	1.000	ST

40 ACCESSORIES

POS	Article no.	Description	Quantity	Unit	Foot note text
1	8.755-093.0	Versa Grip,Bulk Gun	1.000	ST	ARTICLE ONLY AVAILABLE AT KNA
2	9.112-533.0	Lance-AL Quick Connect-Male 3000 psi	1.000	ST	ARTICLE ONLY AVAILABLE AT KNA
3	9.104-016.0	QUICK CONNECT NOZZLE KIT (0325)	1.000	ST	ARTICLE ONLY AVAILABLE AT KNA
4	8.753-422.0	HOSE, HP DN6 25FT, 3600PSI QD	1.000	ST	ARTICLE ONLY AVAILABLE AT KNA
5	6.388-216.0	Hose DN 5	1.000	M	ARTICLE ONLY AVAILABLE AT KNA
6	5.731-652.0	Filter with weight	1.000	ST	ARTICLE ONLY AVAILABLE AT KNA
7	9.154-045.0	Quick Connect	1.000	ST	ARTICLE ONLY AVAILABLE AT KNA