

Table of contents

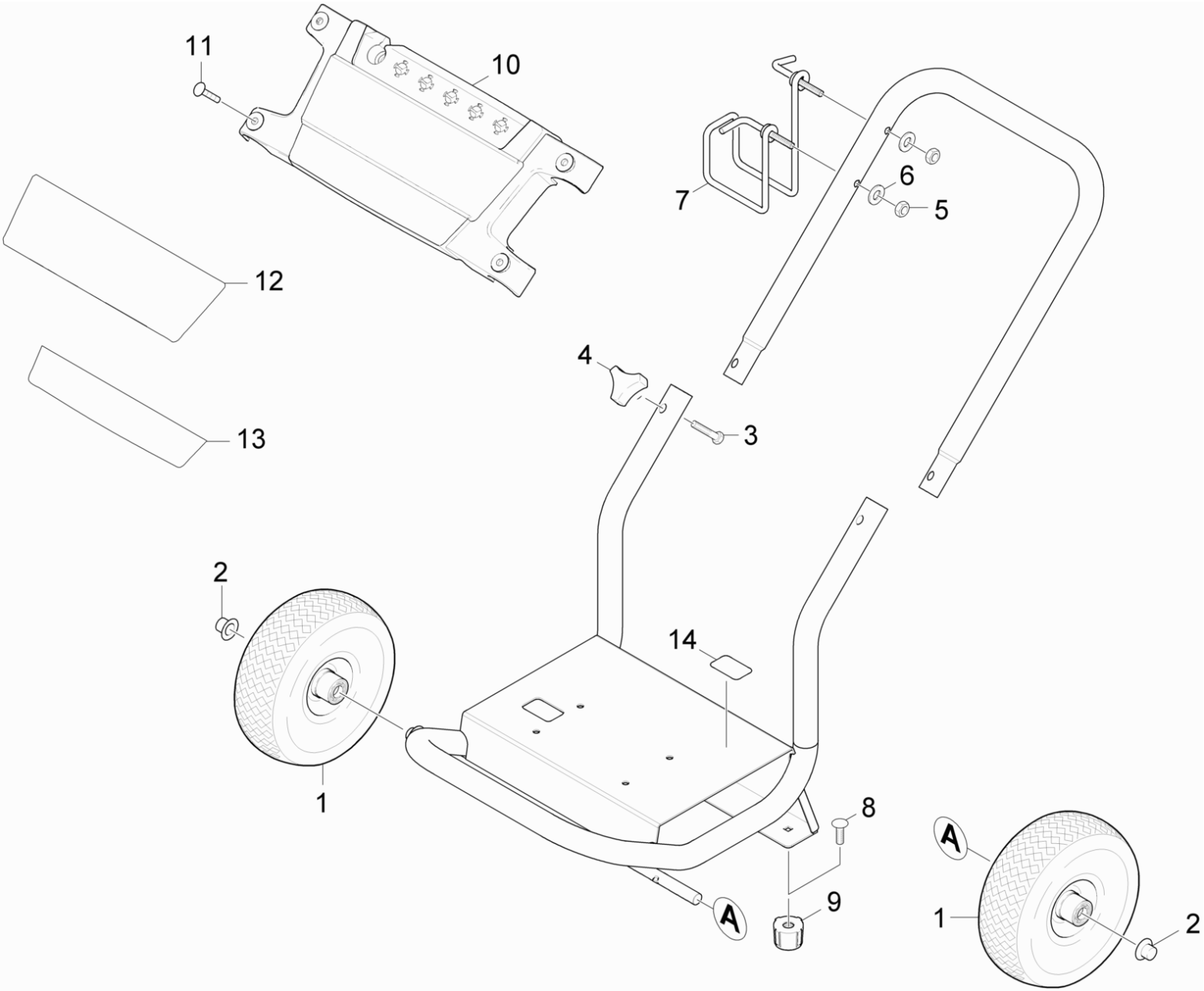
G 3050 OHC (1.107-262.0)	2
590 Spare parts list G 3050	3
10 Frame	4
20 Pump set	7
21 Cylinder head	8
4 Valve (3 Stück) (2.884-916.0)	10
14 Nozzle insert only for replacement (4.769-034.0)	12
22 Piston	14
23 Cylinder head	16
9 Spare part set chemistry (2.883-862.0)	18
10 Drain plug only for replacement (4.132-007.0)	19
11 Valve (3 Stück) (2.884-916.0)	21
24 PISTON (8.921-431.0)	23
30 Motor	25
31 Motor	26
32 Transmission	28
33 TRANSMISSION	30
40 Accessories	32
3 High pressure hose K/Parts DN8 max.31,5M (6.391-419.0)	34
Spare parts list HD-Schläuche	35
10 High pressure hoses	36

G 3050 OHC (1.107-262.0)

POS	Description	Quantity	Unit
590	Spare parts list G 3050	1.000	ST

590 Spare parts list G 3050

POS	Description	Quantity	Unit
10	Frame	1.000	ST
20	Pump set	1.000	ST
30	Motor	1.000	ST
40	Accessories	1.000	ST



10 Frame

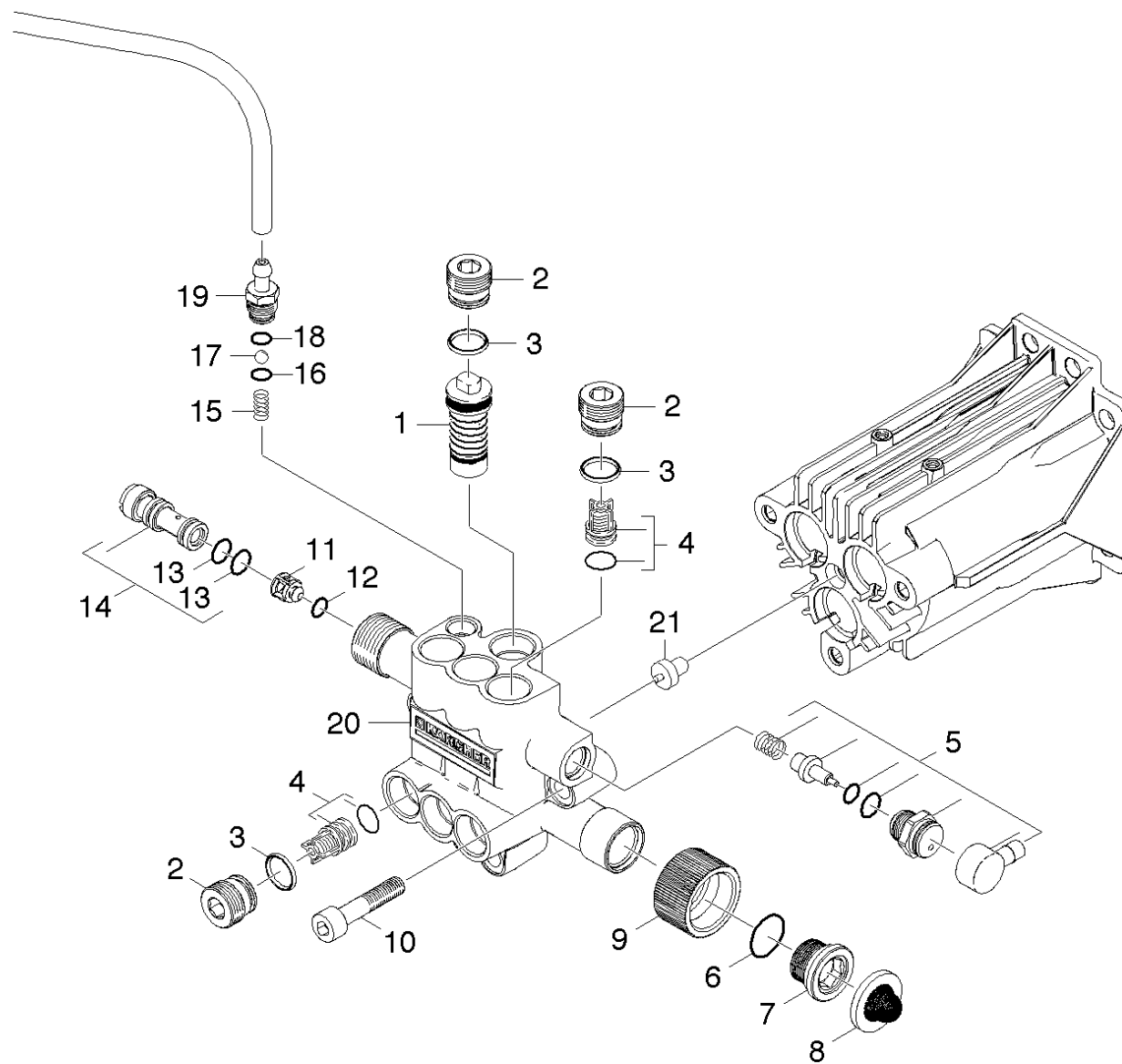
POS	Article no.	Description	Quantity	Unit	Serial number from	Serial number to	Remark	Foot note text
1	9.802-270.0	WHEEL & TIRE ASSY, 10" STEEL RIM W/TUBE	2.000	ST	102721		HD 2.5/30 CS	
1	9.802-270.0	WHEEL & TIRE ASSY, 10" STEEL RIM W/TUBE	2.000	ST	103220		G 3050 OH *KAP	
1	9.802-270.0	WHEEL & TIRE ASSY, 10" STEEL RIM W/TUBE	2.000	ST	104041		G 3050 OH AUS	
1	8.754-186.0	QH WHEEL ASSY, 10" GRAY STEEL RIM W/TUB	2.000	ST				
1	9.802-270.0	WHEEL & TIRE ASSY, 10" STEEL RIM W/TUBE	2.000	ST	0000000000	0000000000		ARTICLE ONLY AVAILABLE AT KNA
2	9.182-506.0	CAP BLACK PLASTIC, 5/8"FASTENER	2.000	ST	0000000000	0000000000		ARTICLE ONLY AVAILABLE AT KNA
3	9.196-307.0	1/4-20 x 1-1/2 GR 2 HEX BOLT ZINC	2.000	ST	0000000000	0000000000		ARTICLE ONLY AVAILABLE AT KNA
4	9.182-353.0	KNOB 1/4"-20,3PT. STAR	2.000	ST	0000000000	0000000000		ARTICLE ONLY AVAILABLE AT KNA
5	9.802-786.0	*NUT, 5/16, HEX, NC	2.000	ST	0000000000	0000000000		ARTICLE ONLY AVAILABLE AT KNA
6	9.198-003.0	5/16 INTERNAL L/W .332 ID X .620 OD ZINC	2.000	ST	0000000000	0000000000		ARTICLE ONLY AVAILABLE AT KNA
7	9.142-014.0	HANGER RT SIDE	1.000	ST	0000000000	0000000000		ARTICLE ONLY AVAILABLE AT KNA
8	9.196-052.0	Hex Flange Cap Screw 5/16-18 x 3/4"	2.000	ST	102721		HD 2.5/30 CS	ARTICLE ONLY AVAILABLE AT KNA
8	9.196-052.0	Hex Flange Cap Screw 5/16-18 x 3/4"	1.000	ST	0000000000	0000000000		ARTICLE ONLY AVAILABLE AT KNA
8	9.196-052.0	Hex Flange Cap Screw 5/16-18 x 3/4"	2.000	ST	104041		G 3050 OH AUS	
8	9.196-052.0	Hex Flange Cap Screw 5/16-18 x 3/4"	2.000	ST	103220		G 3050 *KAP	

10 Frame

POS	Article no.	Description	Quantity	Unit	Serial number from	Serial number to	Remark	Foot note text
9	9.183-411.0	Rubber buffer	2.000	ST	103220		G 3050 *KAP	
9	9.183-411.0	Rubber buffer	2.000	ST	102721		HD 2.5/30 CS	
9	9.183-411.0	Rubber buffer	2.000	ST	104041		G 3050 OH AUS	
9	9.183-411.0	Rubber buffer	1.000	ST	0000000000	0000000000		ARTICLE ONLY AVAILABLE AT KNA
10	9.134-022.0	Name plate	1.000	ST				ARTICLE ONLY AVAILABLE AT KNA
11	9.196-049.0	Nylon Rivet	4.000	ST				ARTICLE ONLY AVAILABLE AT KNA
12	9.138-383.0	Universal Top Plate Label-5 Nozzles	1.000	ST			G 3025 OH & G 3050 OH/AUS/KAP Models	ARTICLE ONLY AVAILABLE AT KNA
12		TOP PLATE LABEL-5 NOZZLE	1.000	ST			G 3050 OHC Model	ARTICLE ONLY AVAILABLE AT KNA
13	9.138-398.0	3000 PSI-Universal Plate Label	1.000	ST			G 3025 OH & G 3050 OH/KAP Model	ARTICLE ONLY AVAILABLE AT KNA
13		3000 PSI- UNIVERSAL PLATE LABEL - AUS	1.000	ST			G 3050 OH AUS	
14	5.387-620.0	Warning sticker- Prevent from freezing	1.000	ST			G 3025 OH & G 3050 OH/AUS/KAP Models	ARTICLE ONLY AVAILABLE AT KNA

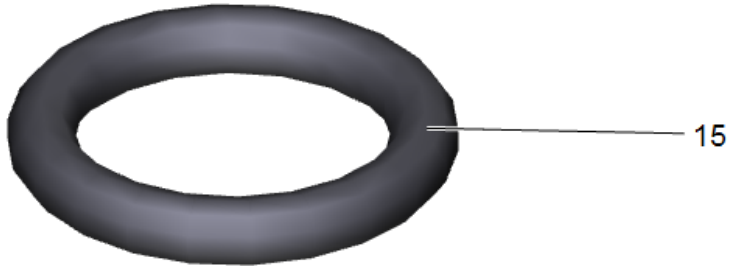
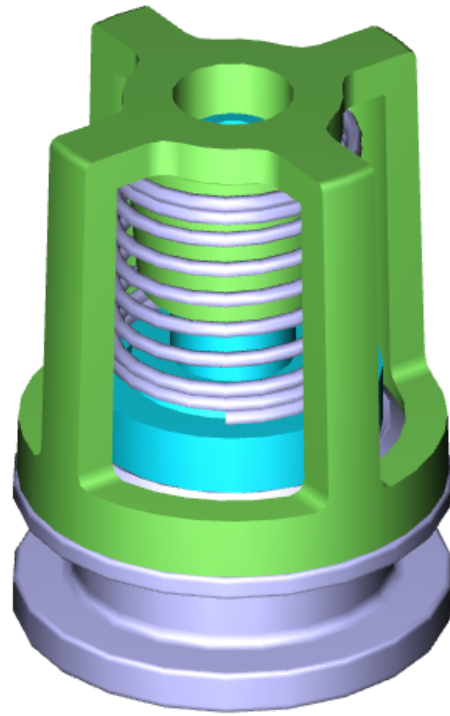
20 Pump set

POS	Article no.	Description	Quantity	Unit	Remark	Foot note text
21		Cylinder head	1.000	ST	VERSION 1	ARTICLE ONLY AVAILABLE AT KNA
22		Piston	1.000	ST	VERSION 1	ARTICLE ONLY AVAILABLE AT KNA
23		Cylinder head	1.000	ST	VERSION 2	ARTICLE ONLY AVAILABLE AT KNA
24	8.921-431.0	PISTON	1.000	ST	VERSION 2	ARTICLE ONLY AVAILABLE AT KNA



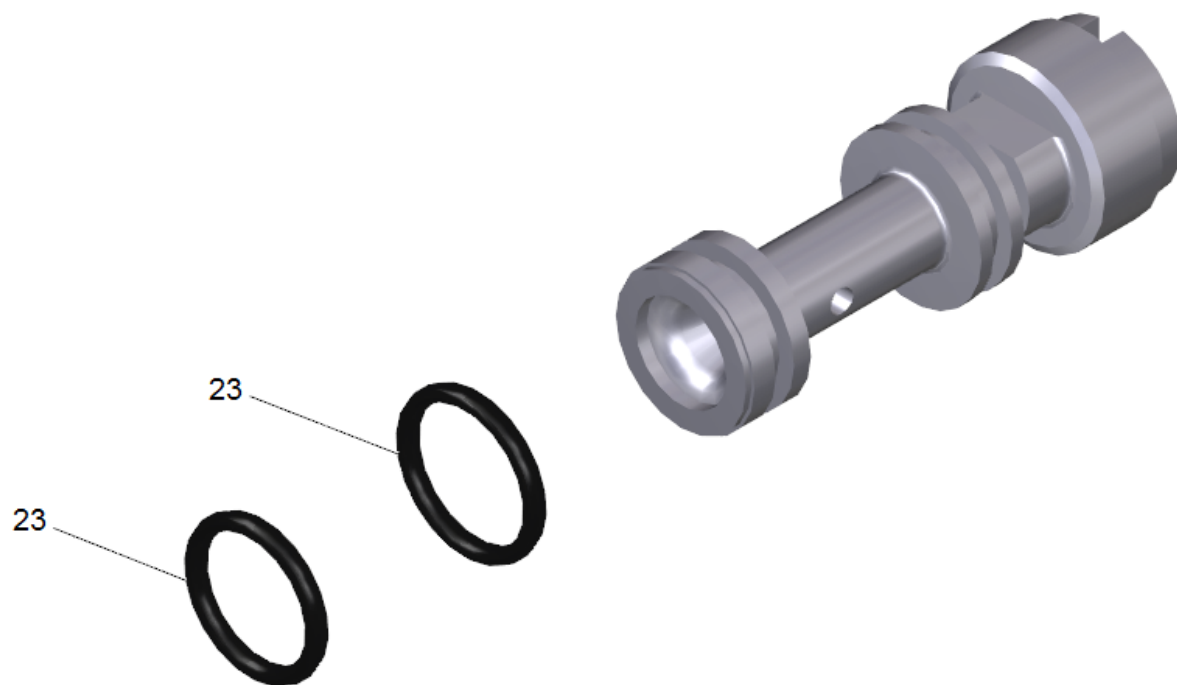
21 Cylinder head

POS	Article no.	Description	Quantity	Unit	Foot note text
1	9.175-007.0	Unloader Assembly	1.000	ST	
2	9.154-036.0	M18 PIPE PLUG	7.000	ST	
3	6.362-480.0	O-Ring seal 12,42x 1,78	9.000	ST	
4	2.884-916.0	Valve (3 Stück)	2.000	ST	3 QTY.
5	9.139-194.0	SPARE PARTS LIST-SET2	1.000	ST	
6	6.362-634.0	O-Ring seal 15,6 x 1,78-NBR 70	1.000	ST	
7	9.134-019.0	MALE ADAPTER	1.000	ST	
8	9.181-005.0	FILTER SEAL-HOSE CONNECTOR-	1.000	ST	
9	9.155-013.0	FEMALE HOSE CONNECTOR	1.000	ST	
10	7.306-075.0	Cylinder head screw M 8x 40-8.8-A2E ISO	3.000	ST	
11	5.584-091.0	Valve pin check valve	1.000	ST	
12	6.363-613.0	O-Ring seal 4 x 2 -NBR90	1.000	ST	
13	6.362-384.0	O-Ring seal 9x1,5 - NBR 70	1.000	ST	
14	4.769-034.0	Nozzle insert only for replacement	1.000	ST	
15	5.332-258.0	Helical spring	1.000	ST	
16	6.363-597.0	O-Ring seal 5,28 x 1,78	1.000	ST	
17	7.401-908.0	Sphere 7 G300 -1.4301 DIN 5401	1.000	ST	
18	6.362-451.0	O-Ring seal 8,0 x 1,0	1.000	ST	
19	5.443-448.0	Nipple chemistry	1.000	ST	
20	9.135-004.0	CYLINDER HEAD-MACHINED	1.000	ST	
21	9.177-305.0	MOLDED RUBBER END CAP	1.000	ST	



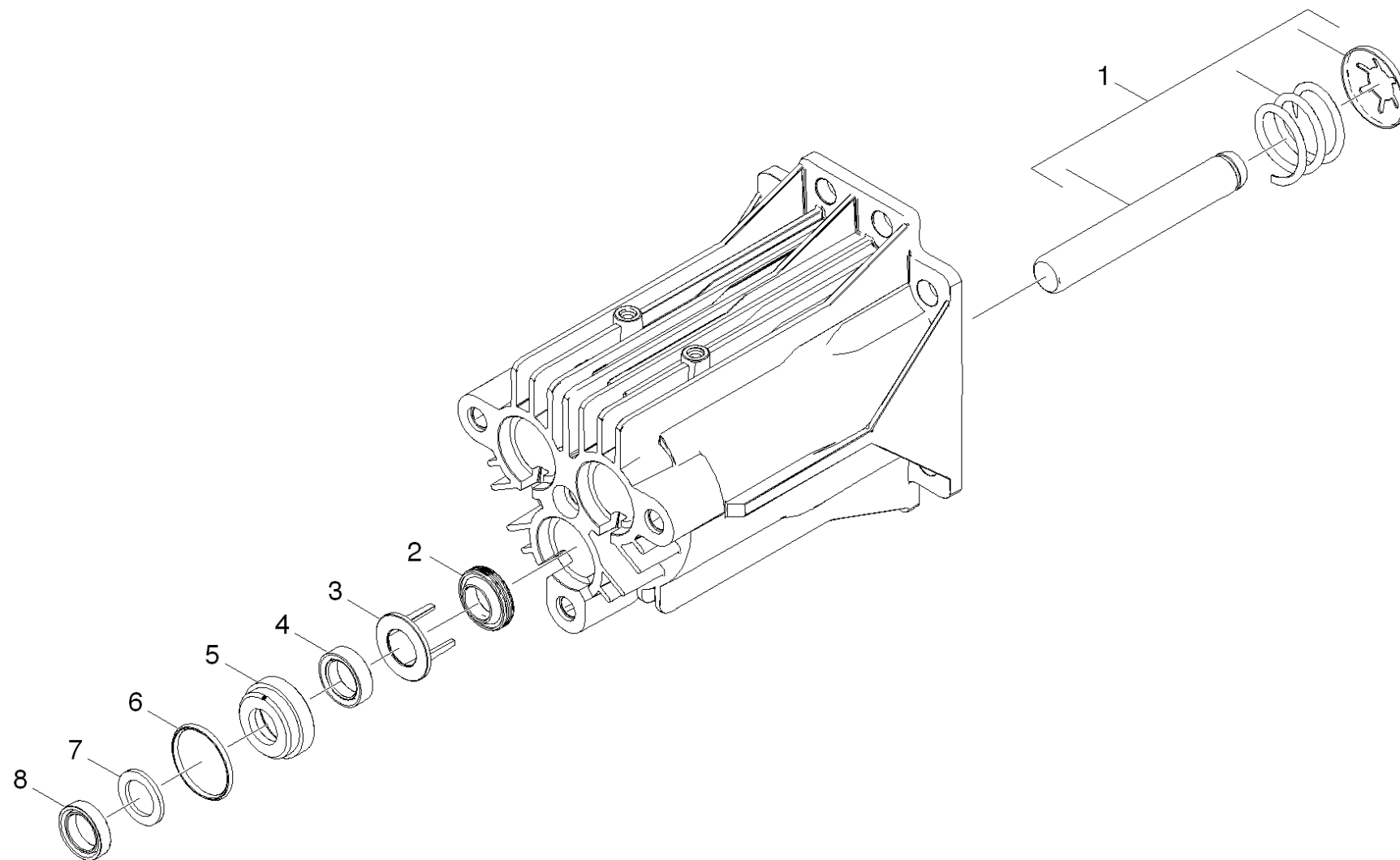
4 Valve (3 Stück) (2.884-916.0)

POS	Article no.	Description	Quantity	Unit
15	6.362-077.0	O-Ring seal 10 x 2,2 NBR 70	1.000	ST



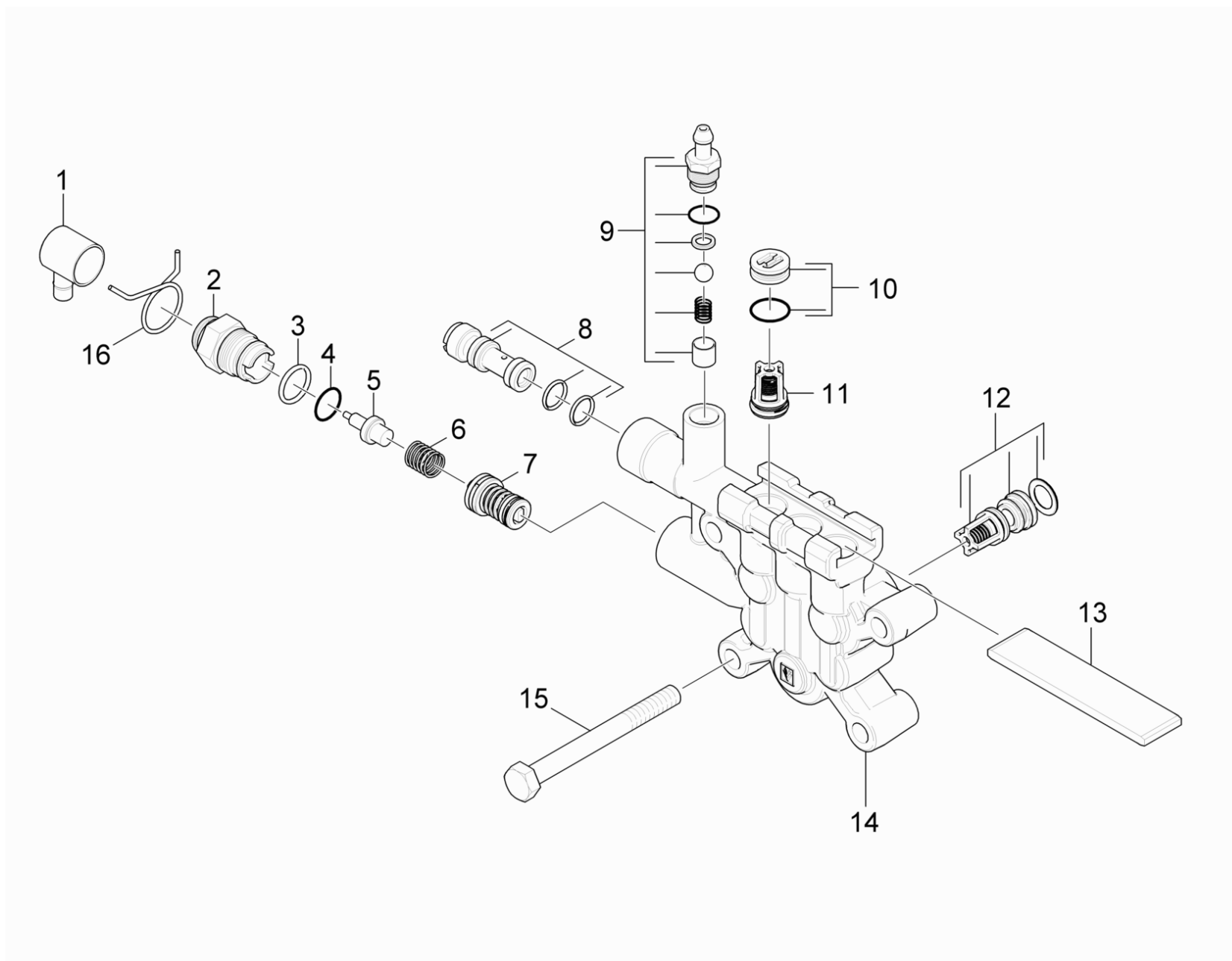
14 Nozzle insert only for replacement (4.769-034.0)

POS	Article no.	Description	Quantity	Unit
23	6.362-384.0	O-Ring seal 9x1,5 - NBR 70	2.000	ST



22 Piston

POS	Article no.	Description	Quantity	Unit
1	9.139-193.0	KIT,SPARE PARTS LIST-SET1, PISTON/SPRING	3.000	ST
2	6.365-393.0	Oil sealing 12x20x4/6	3.000	ST
3	9.134-016.0	SPACER-OIL SEAL & SEAL HSG.	3.000	ST
4	6.363-058.0	Grooved ring 12x18x5 (90Shore)	3.000	ST
5	9.155-011.0	HOUSING-LOW PRESSURE SEAL	3.000	ST
6	6.362-833.0	O-Ring seal 21,5 x 1,78	3.000	ST
7	9.177-310.0	BACK RING-HIGH PRESSURE SEAL-	3.000	ST
8	9.177-301.0	HIGH PRESSURE SEAL	3.000	ST

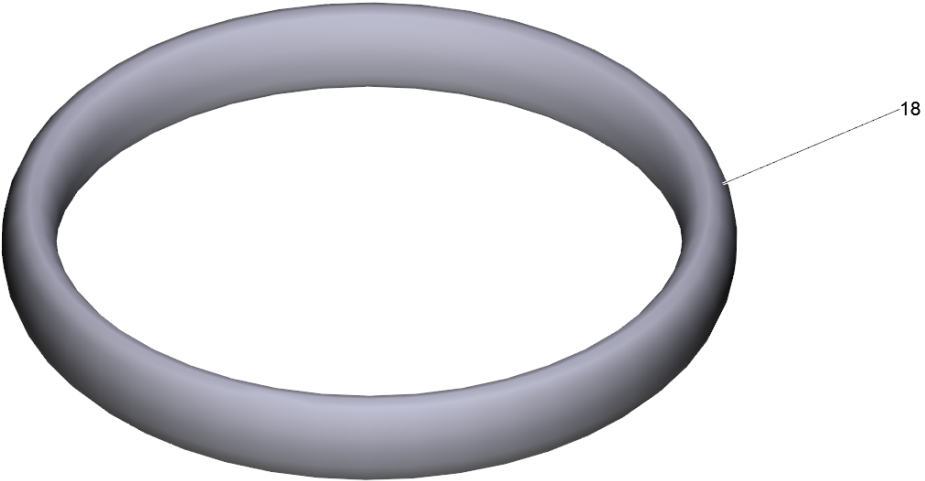
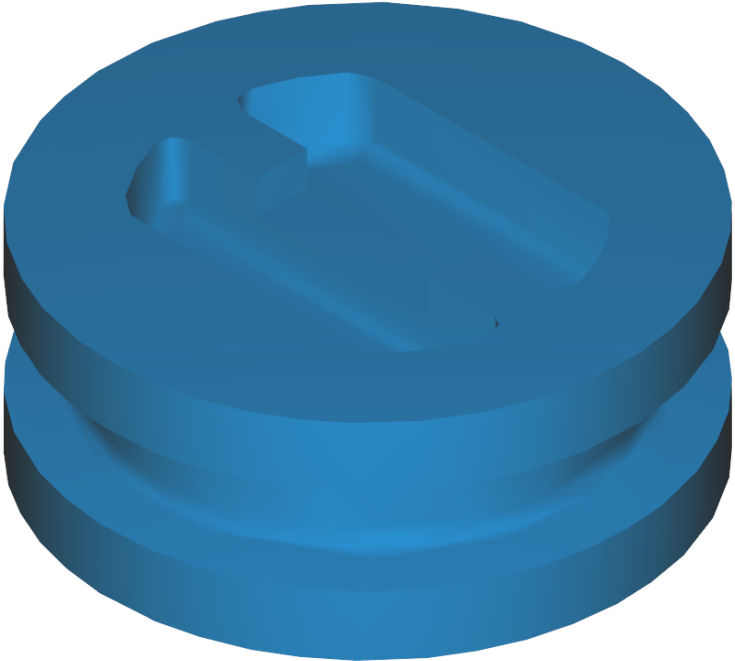


23 Cylinder head

POS	Article no.	Description	Quantity	Unit	Foot note text
1	8.752-076.0	VALVE, THERMAL COVER-LONG	1.000	ST	
2	9.184-018.0	Valve screw	1.000	ST	
3	6.362-480.0	O-Ring seal 12,42x 1,78	1.000	ST	
4	7.362-507.0	O-Ring seal 8x2-NBR 90 DIN 3770	1.000	ST	
5	6.413-403.0	Therموالve 60°	1.000	ST	
6	5.332-290.0	Helical spring	1.000	ST	
7	9.175-005.0	Unloader Assembly	1.000	ST	
8	9.139-372.0	SPARE PART LIST NOZZLE INS 020/021 PUMP	1.000	ST	
9	2.883-862.0	Spare part set chemistry	1.000	ST	
10	4.132-007.0	Drain plug only for replacement	3.000	ST	
11	2.884-916.0	Valve (3 Stück)	1.000	ST	SET CONSITSTS OF 3X VALVE
12	9.139-376.0	Valve 3 St.	1.000	ST	SET CONSITSTS OF 3X VALVE
13	5.003-062.0	Plate	1.000	ST	
14	9.135-015.0	Cylinder Head-Machined	1.000	ST	
15	7.304-098.0	Hexagonal head screw M8x80-8.8-A2E ISO	4.000	ST	
16	8.752-032.0	CLAMP, TENSION SPRING OD 11/16"	1.000	ST	

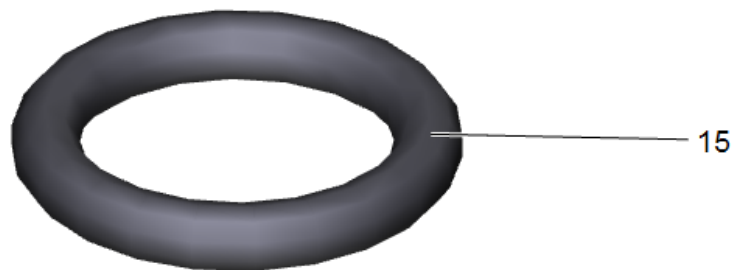
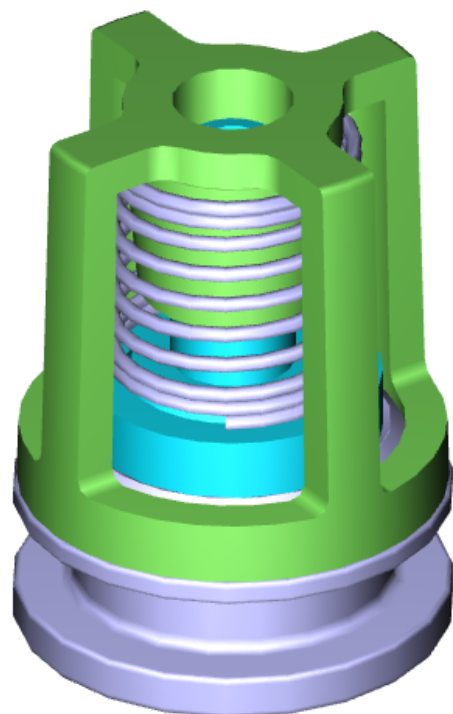
9 Spare part set chemistry (2.883-862.0)

POS	Article no.	Description	Quantity	Unit
40	5.332-258.0	Helical spring	1.000	ST
44	5.443-448.0	Nipple chemistry	1.000	ST
100	5.110-714.0	Sleeve	1.000	ST
101	6.363-597.0	O-Ring seal 5,28 x 1,78	1.000	ST
102	6.362-451.0	O-Ring seal 8,0 x 1,0	1.000	ST
110	6.376-036.0	Label spare parts neutrally 65x55 MM	1.000	ZST
130	6.590-384.0	Bag PE 80x120 MM neutral	1.000	ST
150	7.401-908.0	Sphere 7 G300 -1.4301 DIN 5401	1.000	ST



10 Drain plug only for replacement (4.132-007.0)

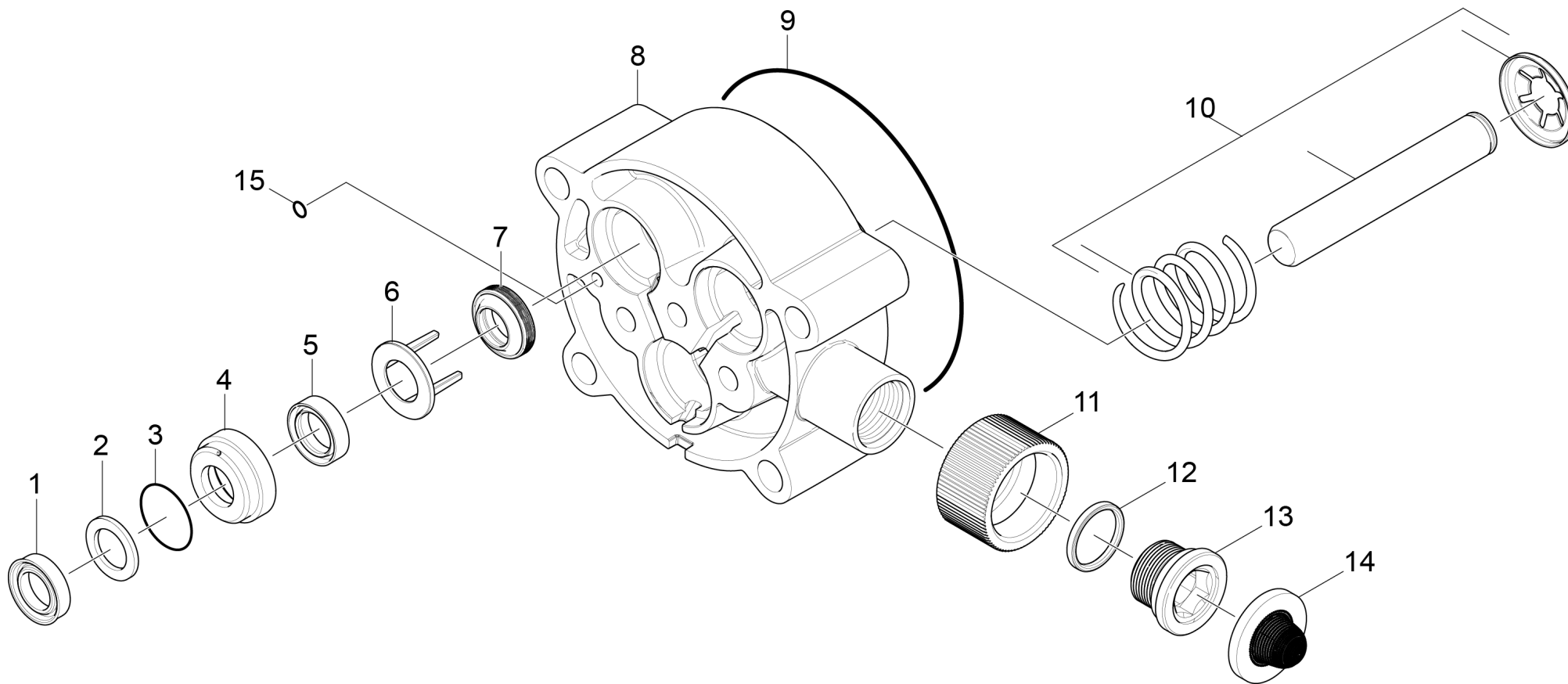
POS	Article no.	Description	Quantity	Unit
18	6.362-458.0	O-Ring seal 11,0x2,0-NBR 70	1.000	ST



15

11 Valve (3 Stück) (2.884-916.0)

POS	Article no.	Description	Quantity	Unit
15	6.362-077.0	O-Ring seal 10 x 2,2 NBR 70	1.000	ST

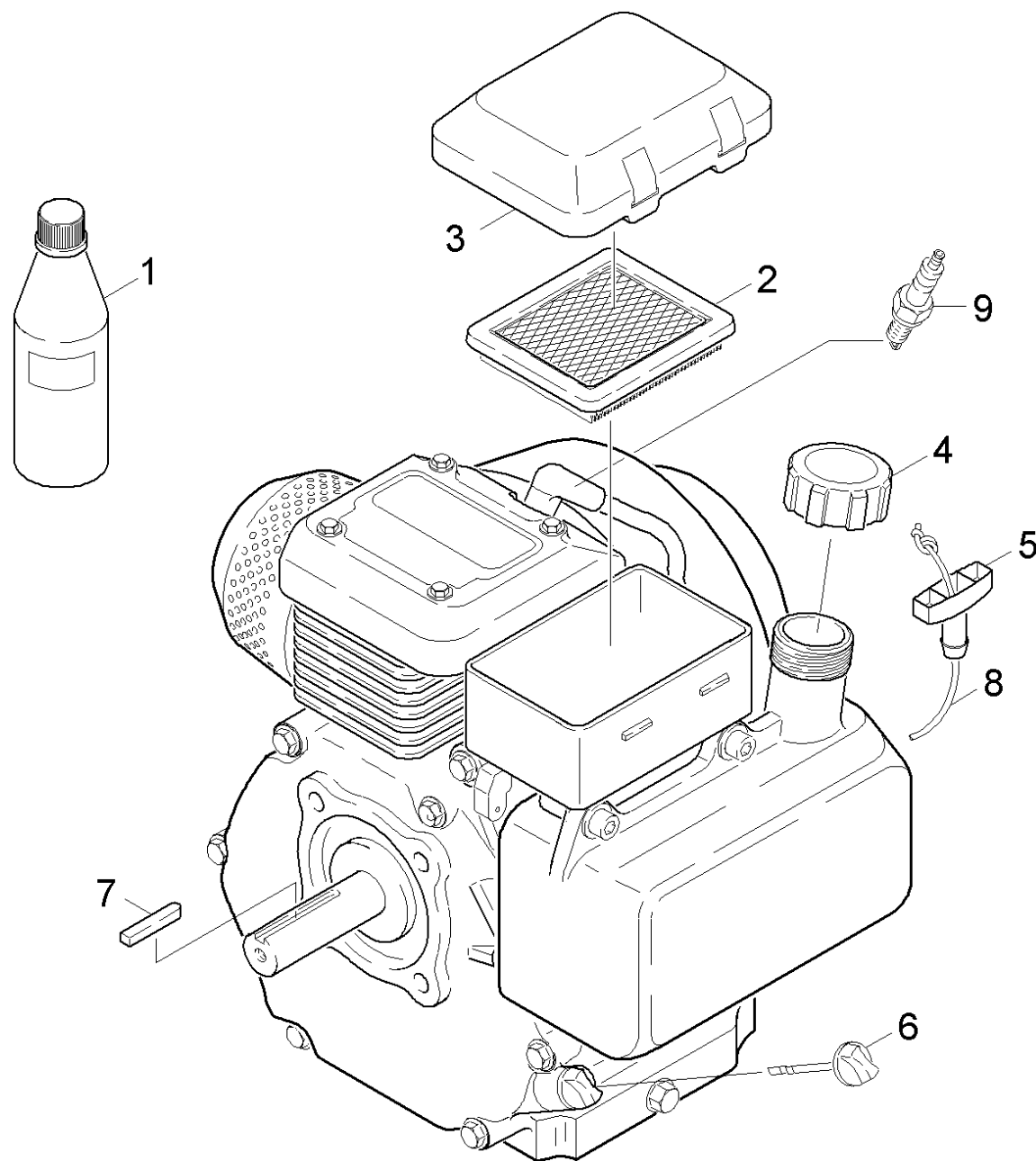


24 PISTON (8.921-431.0)

POS	Article no.	Description	Quantity	Unit	Foot note text
1	9.177-301.0	HIGH PRESSURE SEAL	3.000	ST	ARTICLE ONLY AVAILABLE AT KNA
2	9.177-310.0	BACK RING-HIGH PRESSURE SEAL-	3.000	ST	ARTICLE ONLY AVAILABLE AT KNA
3	6.362-833.0	O-Ring seal 21,5 x 1,78	3.000	ST	ARTICLE ONLY AVAILABLE AT KNA
4	9.155-011.0	HOUSING-LOW PRESSURE SEAL	3.000	ST	ARTICLE ONLY AVAILABLE AT KNA
5	6.363-058.0	Grooved ring 12x18x5 (90Shore)	3.000	ST	ARTICLE ONLY AVAILABLE AT KNA
6	9.134-016.0	SPACER-OIL SEAL & SEAL HSG.	3.000	ST	ARTICLE ONLY AVAILABLE AT KNA
7	6.365-393.0	Oil sealing 12x20x4/6	3.000	ST	ARTICLE ONLY AVAILABLE AT KNA
8	9.133-007.0	Piston Guide-Machined	1.000	ST	ARTICLE ONLY AVAILABLE AT KNA
9	6.362-471.0	O-Ring seal 80,0 X 3,0 -NBR 70	1.000	ST	ARTICLE ONLY AVAILABLE AT KNA
10	9.139-370.0	SPARE PART LIST PISTON 020/021 PUMP	3.000	ST	ARTICLE ONLY AVAILABLE AT KNA
11	9.155-013.0	FEMALE HOSE CONNECTOR	1.000	ST	ARTICLE ONLY AVAILABLE AT KNA
12	6.362-390.0	O-Ring seal 15,6 X 1,78	1.000	ST	ARTICLE ONLY AVAILABLE AT KNA
13	9.134-019.0	MALE ADAPTER	1.000	ST	ARTICLE ONLY AVAILABLE AT KNA
14	9.181-005.0	FILTER SEAL-HOSE CONNECTOR-	1.000	ST	ARTICLE ONLY AVAILABLE AT KNA
15	6.363-626.0	O-Ring seal 4,47x1,78 -NBR90	1.000	ST	ARTICLE ONLY AVAILABLE AT KNA

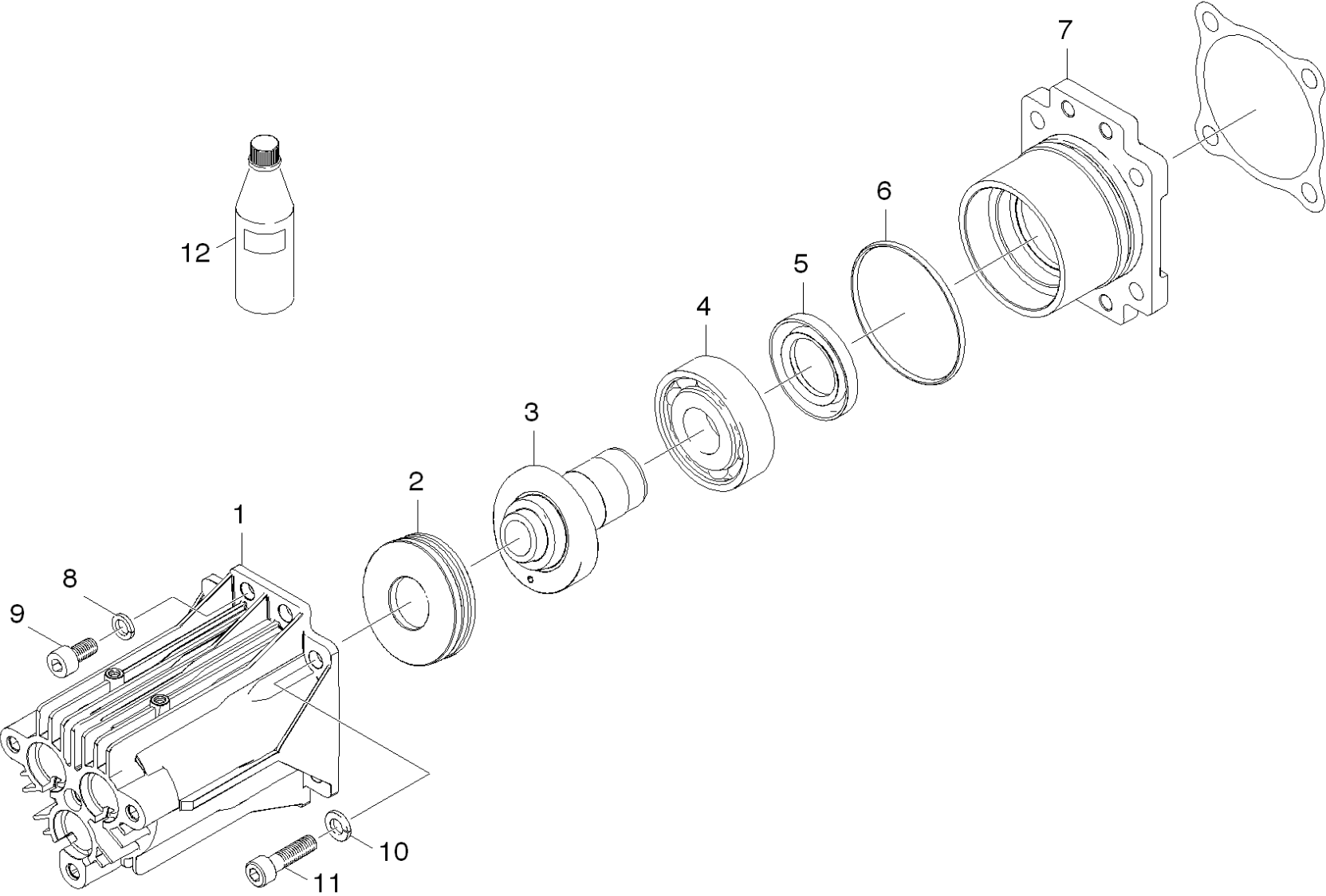
30 Motor

POS	Description	Quantity	Unit	Remark
31	Motor	1.000	ST	
32	Transmission	1.000	ST	VERSION 1
33	TRANSMISSION	1.000	ST	VERSION 2



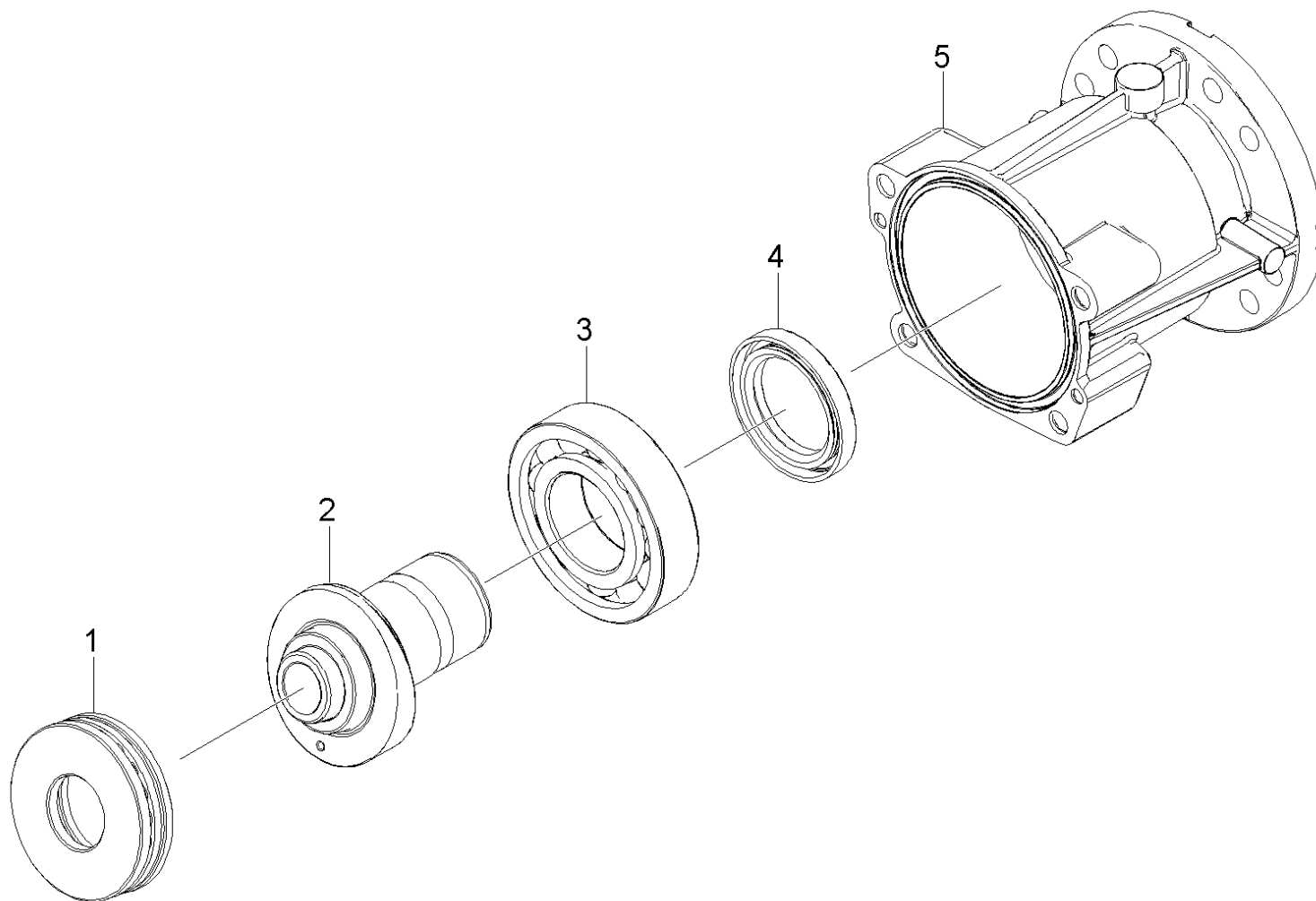
31 Motor

POS	Article no.	Description	Quantity	Unit
1	6.288-050.0	Engine oil 1L	1.000	ST
2	6.491-726.0	Air filter insert	1.000	ST
3	9.194-543.0	Cover	1.000	ST
4	6.491-723.0	Cap of a tank	1.000	ST
5	6.491-503.0	Handhold	1.000	ST
6	9.194-531.0	OIL DIP ROD	1.000	ST
7	9.194-883.0	Shaft key 3/16"SQx1.5"	1.000	ST
8	6.491-546.0	Pull cord	1.000	ST
9	6.491-550.0	Ignition plug BPR6ES	1.000	ST



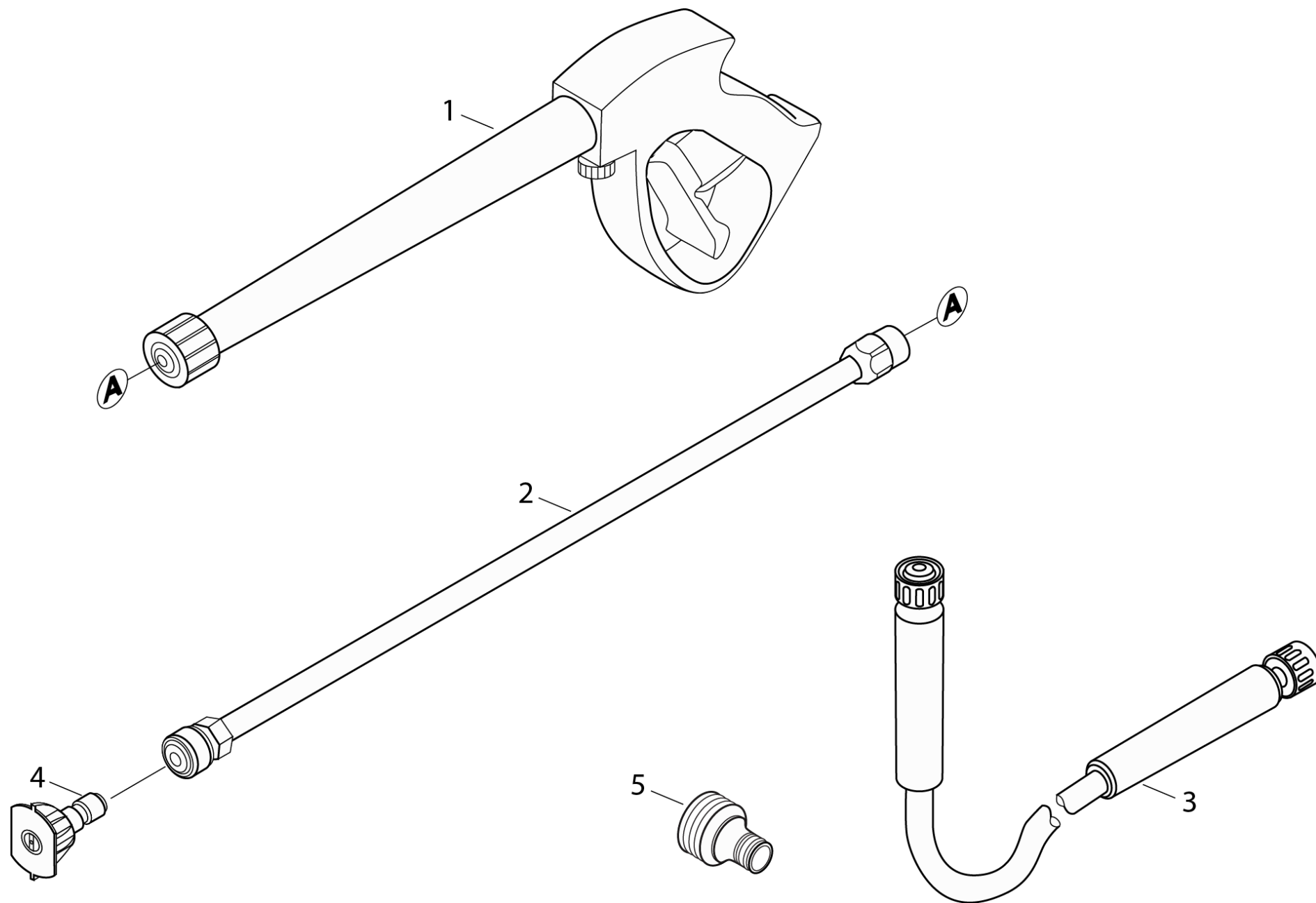
32 Transmission

POS	Article no.	Description	Quantity	Unit
1	9.135-006.0	SHORT OIL HOUSING AND PISTON GUIDE	1.000	ST
2	9.165-355.0	GROOVED BALL BEARING	1.000	ST
3	9.154-037.0	MOLDED SLEEVE-WOBBLE SHAFT-MACHINED-	1.000	ST
4	6.401-260.0	Angular contact ball bearing	1.000	ST
5	9.177-309.0	RADIAL SEAL, 30 x 52 x 7	1.000	ST
6	6.362-537.0	O-Ring seal 63,17x 2,62	1.000	ST
7	9.135-005.0	FLANGE SPACER-MACHINED-	1.000	ST
8	7.313-051.0	Spring washer 8-FST-A3E DIN 7980	4.000	ST
9	7.306-040.0	Cylinder head screw M8x16 -8.8-A2E ISO4	4.000	ST
10	5.115-656.0	Washer	4.000	ST
11	6.965-007.0	5/16-24X1 GR 5 SHCS THRU HARDENED ZC	4.000	ST
12	6.288-112.0	Engine oil 1L	1.000	ST



33 TRANSMISSION

POS	Article no.	Description	Quantity	Unit
1	9.165-355.0	GROOVED BALL BEARING	1.000	ST
2	9.135-018.0	Swash Plate Horizontal-Machined	1.000	ST
3	9.165-356.0	BALL BEARING NO. 6207	1.000	ST
4	9.177-314.0	Radial Seal, 35x52x7	1.000	ST
5	9.135-016.0	Oil Housing Vertical Machined	1.000	ST



40 Accessories

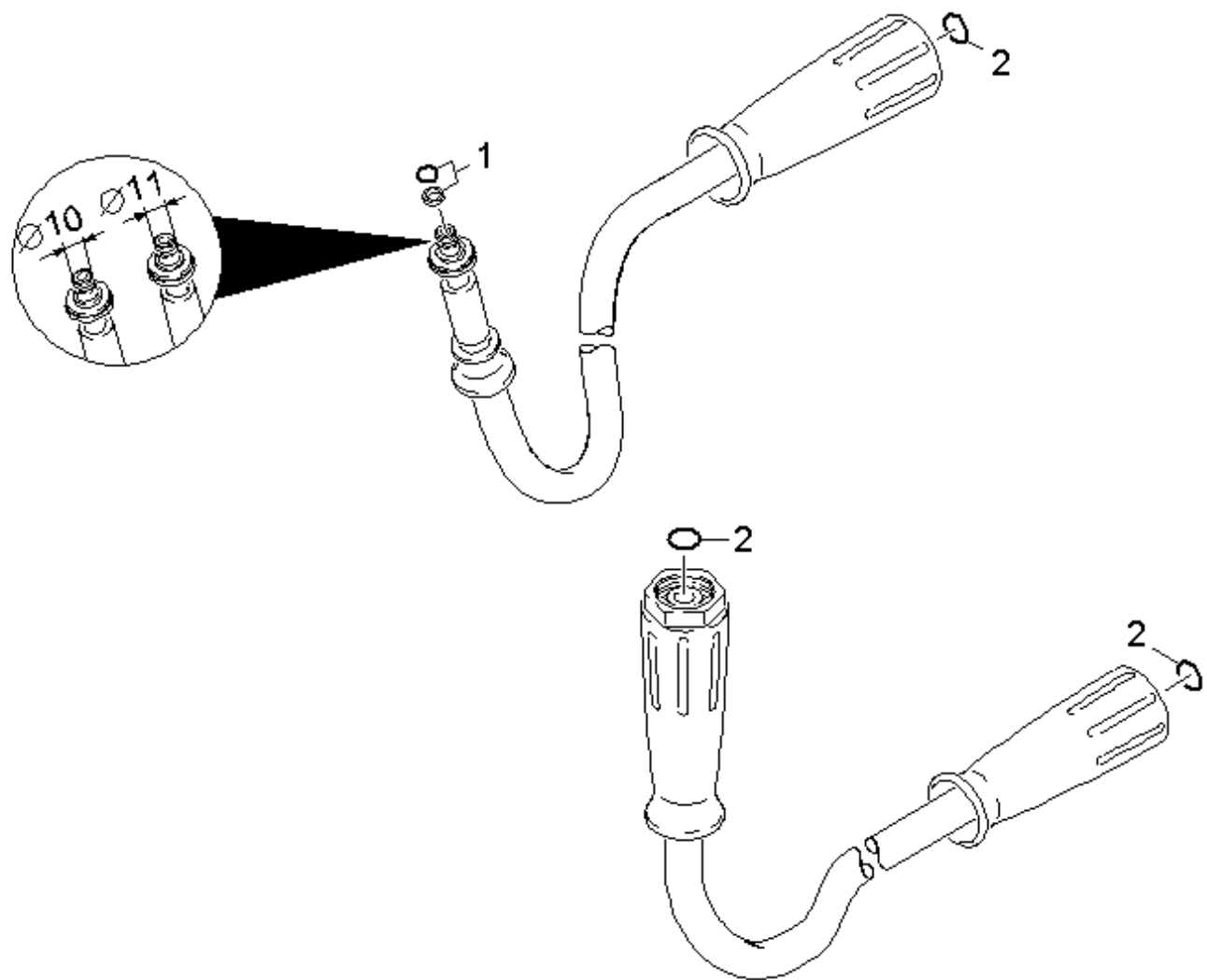
POS	Article no.	Description	Quantity	Unit	Remark	Foot note text
1	8.754-381.0	MV925 GUN 4500 PSI	1.000	ST	G 3050 *KAP Model	
1	9.112-012.0	AL BIT101 TRIGGER GUN	1.000	ST	G 3025 OH & G 3050 OH/OHC Models	ARTICLE ONLY AVAILABLE AT KNA
2	9.112-533.0	Lance-AL Quick Connect-Male 3000 psi	1.000	ST		ARTICLE ONLY AVAILABLE AT KNA
3	9.162-320.0	HP HOSE 50' RUBBER DN6/275BAR	1.000	ST	G 3050 OH *KAP Model	ARTICLE ONLY AVAILABLE AT KNA
3	8.753-423.0	HOSE, HP DN6 25FT, 3600PSI M22	1.000	ST	G 3025 OH & G 3050 OH/OHC Models	ARTICLE ONLY AVAILABLE AT KNA
3	6.391-419.0	High pressure hose K/Parts DN8 max.31,5M	1.000	ST	G 3050 OH AUS Model	ARTICLE ONLY AVAILABLE AT KNA
4	9.104-024.0	QUICK CONNECT NOZZLE KIT (030)	1.000	ST	G 3050 OH *KAP Model	ARTICLE ONLY AVAILABLE AT KNA
4	9.104-016.0	QUICK CONNECT NOZZLE KIT (0325)	1.000	ST	G 3025 OH & G 3050 OH/OHC/AUS Models	ARTICLE ONLY AVAILABLE AT KNA
5	6.645-538.0	Tap adaptor complete US w/m thread	1.000	ST		

3 High pressure hose K/Parts DN8 max.31,5M (6.391-419.0)

POS	Description	Quantity	Unit
0	Spare parts list HD-Schläuche	1.000	ST

Spare parts list HD-Schläuche

POS	Description	Quantity	Unit
10	High pressure hoses	1.000	ST



10 High pressure hoses

POS	Article no.	Description	Quantity	Unit	Foot note text
1	4.363-691.0	O-Ring seal kpl. -nur fuer Ersatz-	1.000	ST	DIAMETER = 11mm
1	6.363-115.0	O-Ring seal complete 1ST.-R.	1.000	ST	DIAMETER = 10 mm
2	2.883-254.0	O-Ring kit neutrally	1.000	ST	